



UNLESS OTHERWISE SPECIFIED:
DIMENSIONS ARE IN MILLIMETERS
WEIGHT ARE IN KILOGRAMM

PART NUMBER / DWG NO.:

LM213

	NAME	SIGNATURE	DATE	REVISION
DRAWN	I.Agar		01.04.2021	
APPV'D				

DESCRIPTION:

Play centre Daniel



Tiptaptap OÜ

Tiptaptap OÜ
Veetorni 9,
Jüri alevik, Rae vald,
75301 Harjumaa

MATERIAL:

wood, metal, plastic

A4

WEIGHT:

SCALE: 1:30

SHEET 1 OF 26

Safety area

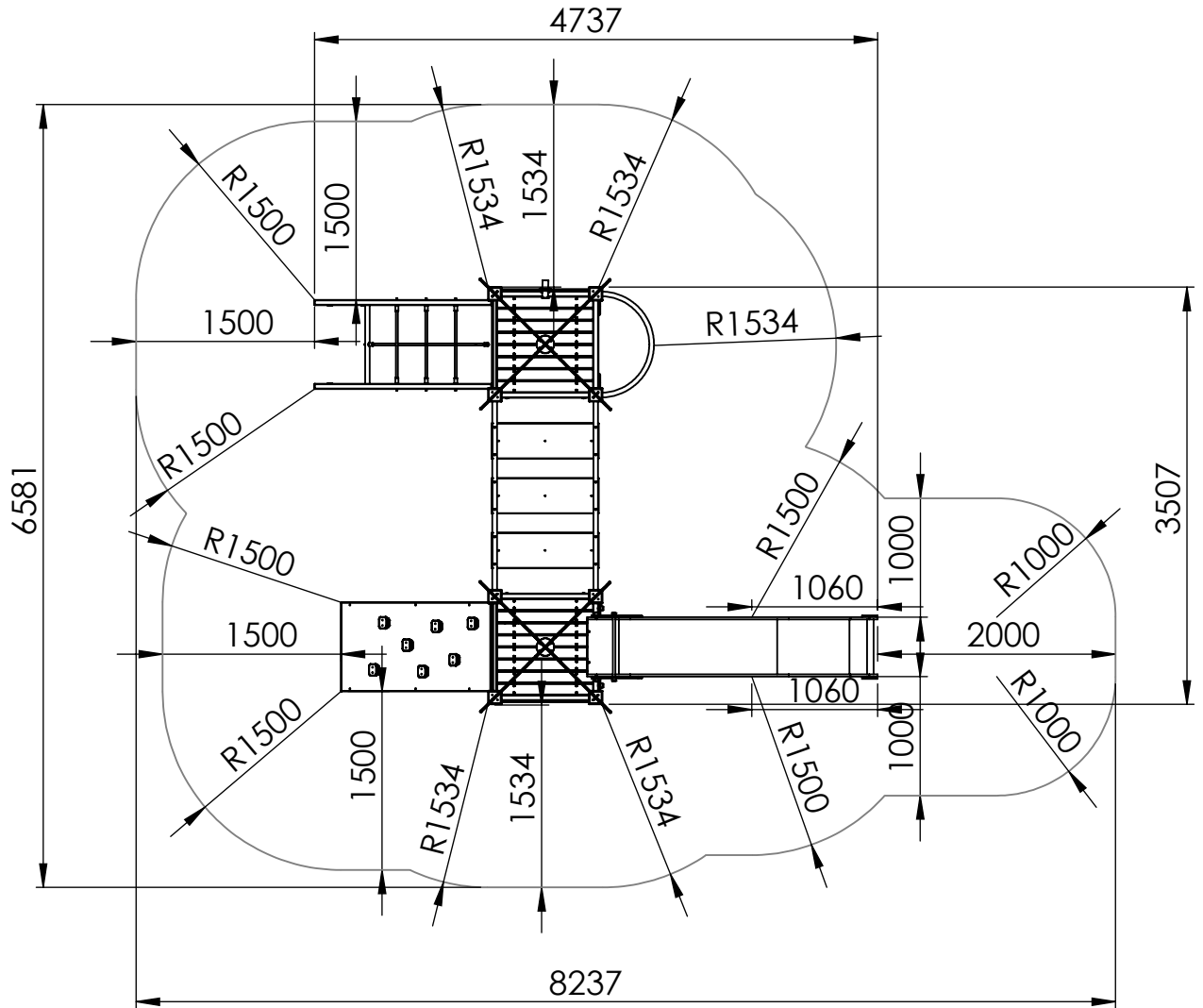
A

B

C

D

E



Depth of foundation: 600mm

UNLESS OTHERWISE SPECIFIED:
DIMENSIONS ARE IN MILLIMETERS
WEIGHT ARE IN KILOGRAMM

PART NUMBER / DWG NO.:

LM213

	NAME	SIGNATURE	DATE	REVISION
DRAWN	I.Agar		01.04.2021	
APPV'D				

DESCRIPTION:

Play centre Daniel



Tiptiptap OÜ

Tiptiptap OÜ
Veetorni 9,
Jüri alevik, Rae vald,
75301 Harjumaa

MATERIAL:

wood, metal, plastic

A4

WEIGHT:

SCALE: 1:60

SHEET 2 OF 26

A

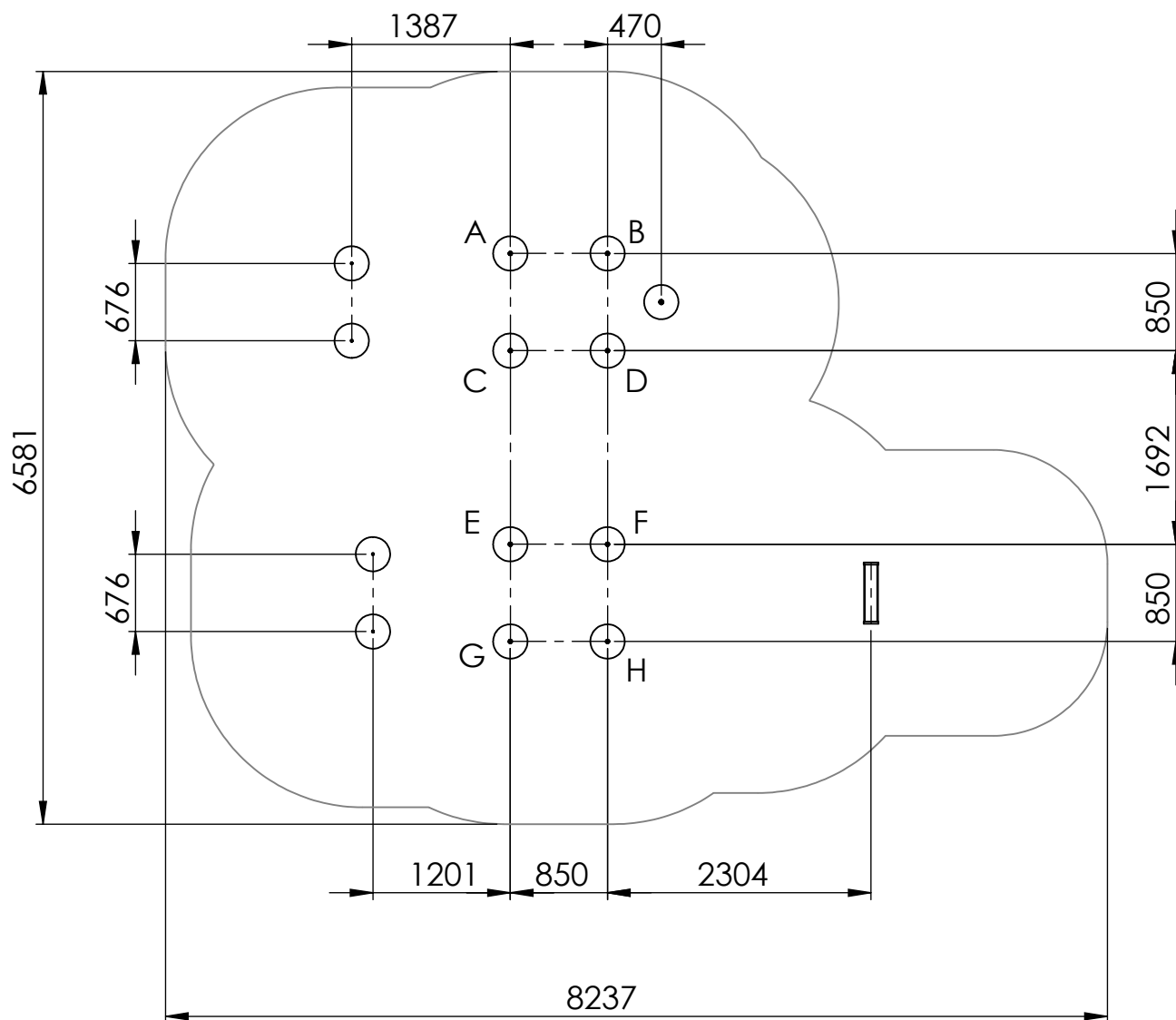
B

C

D

E

F



UNLESS OTHERWISE SPECIFIED:
DIMENSIONS ARE IN MILLIMETERS
WEIGHT ARE IN KILOGRAMM

PART NUMBER / DWG NO.:

LM213

	NAME	SIGNATURE	DATE	REVISION
DRAWN	I.Agar		01.04.2021	
APPV'D				

DESCRIPTION:

Play centre Daniel

MATERIAL:

wood, metal, plastic

A4

WEIGHT:

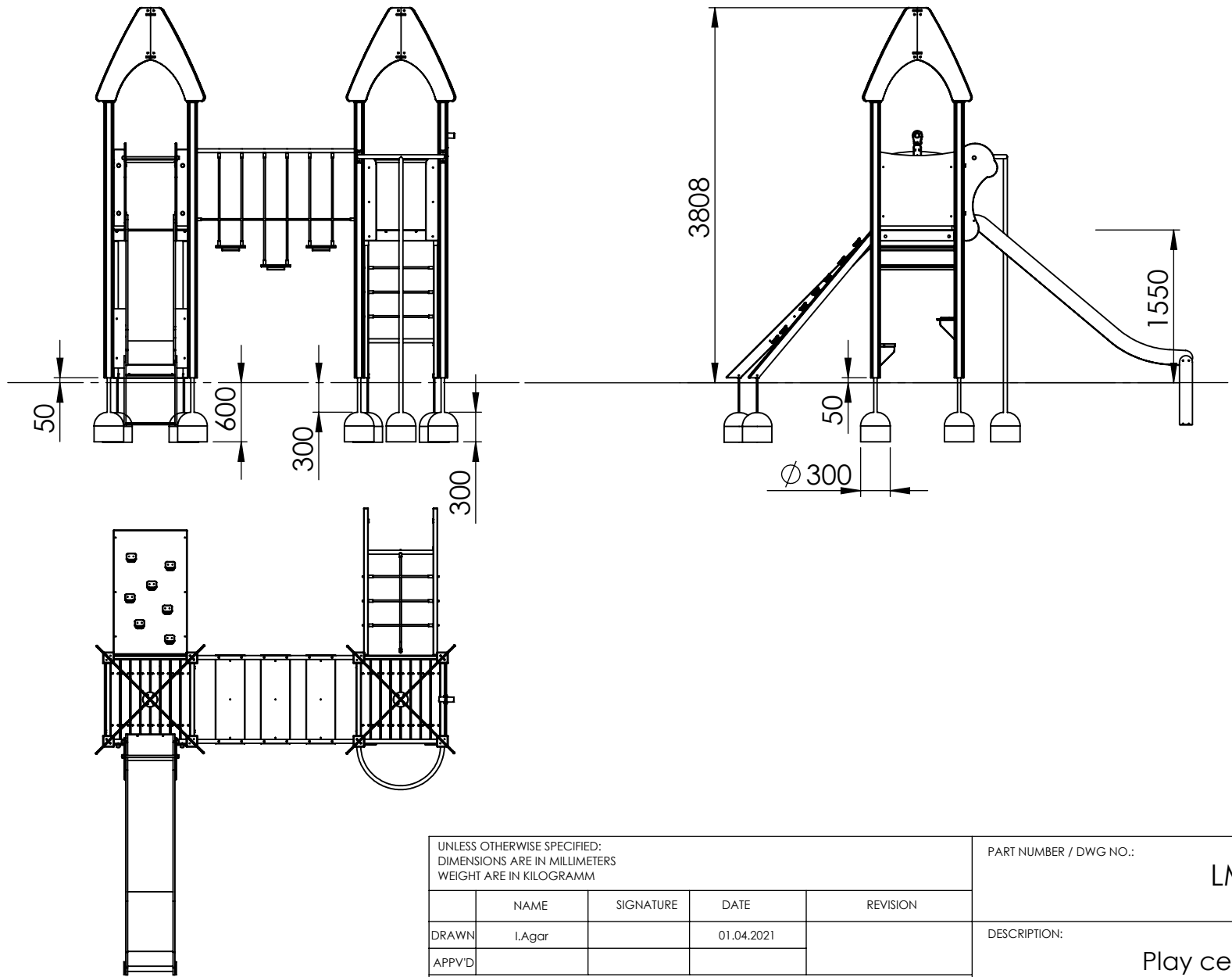
SCALE: 1:60

SHEET 3 OF 26



Tiptiptap OÜ

Tiptiptap OÜ
Veetorni 9,
Jüri alevik, Rae vald,
75301 Harjumaa



UNLESS OTHERWISE SPECIFIED:
 DIMENSIONS ARE IN MILLIMETERS
 WEIGHT ARE IN KILOGRAMM

	NAME	SIGNATURE	DATE	REVISION
DRAWN	I.Agar		01.04.2021	
APPV'D				

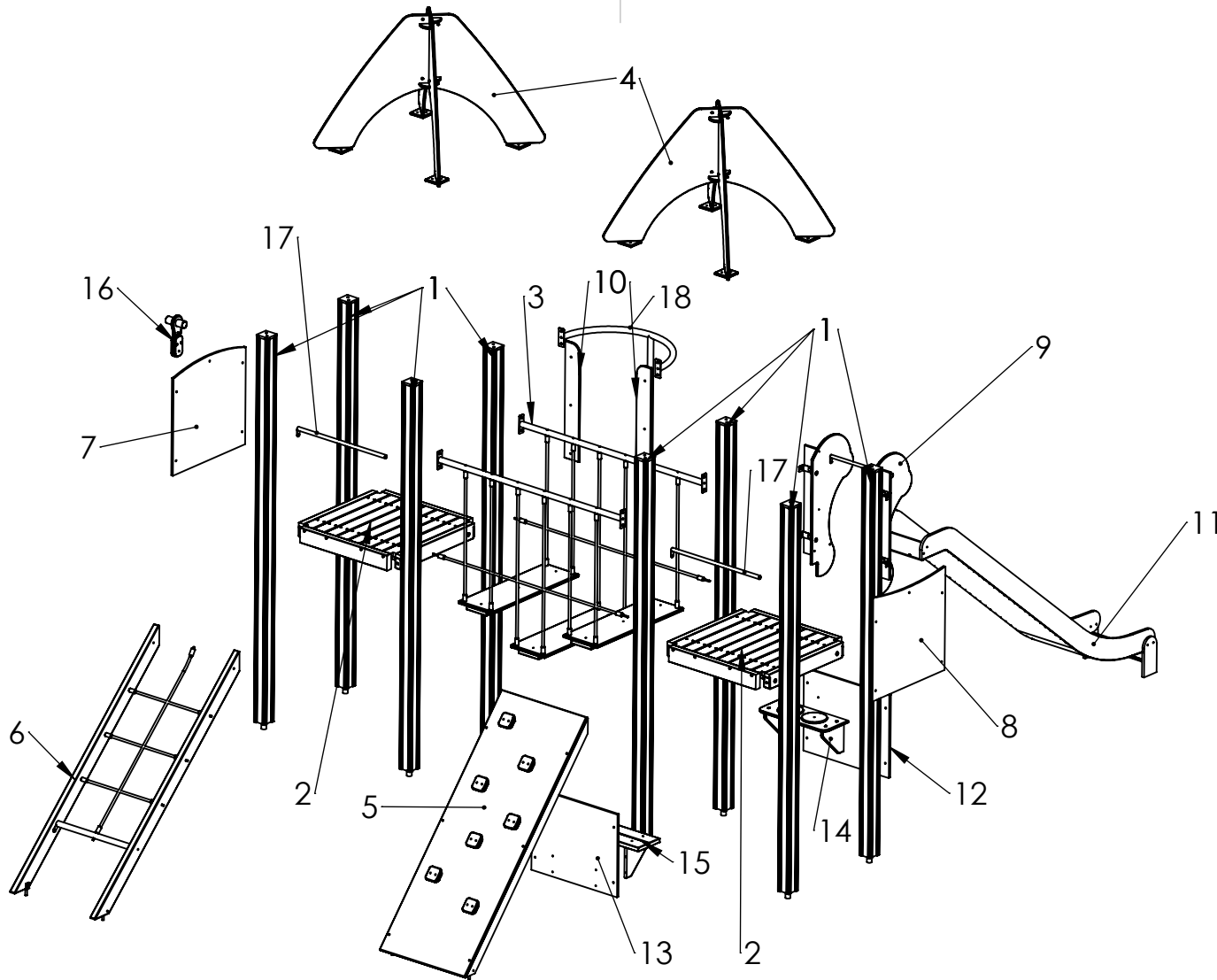
PART NUMBER / DWG NO.:
LM213

DESCRIPTION:
Play centre Daniel



Tiptaptap OÜ
 Veetorni 9,
 Jüri alevik, Rae vald,
 75301 Harjumaa

MATERIAL:	wood, metal, plastic	A4
WEIGHT:		SCALE: 1:60
		SHEET 4 OF 26



UNLESS OTHERWISE SPECIFIED:
 DIMENSIONS ARE IN MILLIMETERS
 WEIGHT ARE IN KILOGRAMM

PART NUMBER / DWG NO.: **LM213**


	NAME	SIGNATURE	DATE	REVISION
DRAWN	I.Agar		01.04.2021	
APPV'D				

DESCRIPTION:
Play centre Daniel



Tiptaptap OÜ
 Veetorni 9,
 Jüri alevik, Rae vald,
 75301 Harjumaa

MATERIAL:	wood, metal, plastic	A4
WEIGHT:		SCALE: 1:45
		SHEET 5 OF 26

	1	2	3	4	
	ITEM NO.	PART NUMBER	DESCRIPTION	QTY.	
A	1	post 98x98x2800	laminated wood	8	
	2	platform	laminated wood, metal	2	
	3	LM213 rope bridge	PP covered steel wire, painted steel	1	
B	4	Roof	HDPE plastic	2	
	5	LM213 climbing panel	Plywood	1	
	6	LM213 rope ramp	Laminated wood, PP covered steel wire	1	
	7	Upward curved panel with binoculars, lower hole 100mm	HDPE plastic	1	
C	8	downward curved panel with binoculars, lower hole 70mm	HDPE plastic	1	
	9	slide guard block	HDPE plastic	1	
	10	panel 850x126	plywood	2	
	11	slide h_1550	stainless steel, HDPE plastic	1	
D	12	rectangle panel with oven, lower hole 100mm	HDPE plastic	1	
	13	rectangle panel with seat, lower hole 100mm	HDPE plastic	1	
	14	Stove	HDPE plastic	1	
E	15	playcorner-bench	laminated wood, plastic	1	
	16	Binoculars 1	HDPE plastic	1	
	17	Tube D25x770	Painted steel	2	
	18	LM213 climbing pole	galvanized painted steel	1	
F	UNLESS OTHERWISE SPECIFIED: DIMENSIONS ARE IN MILLIMETERS WEIGHT ARE IN KILOGRAMM			PART NUMBER / DWG NO.: LM213	
				DESCRIPTION: Play centre Daniel	
				MATERIAL: wood, metal, plastic	
				A4	
				WEIGHT:	
				SCALE: 1:45	
			SHEET 6 OF 26		
 Tiptiptap OÜ Veetorni 9, Jüri alevik, Rae vald, 75301 Harjumaa					

A

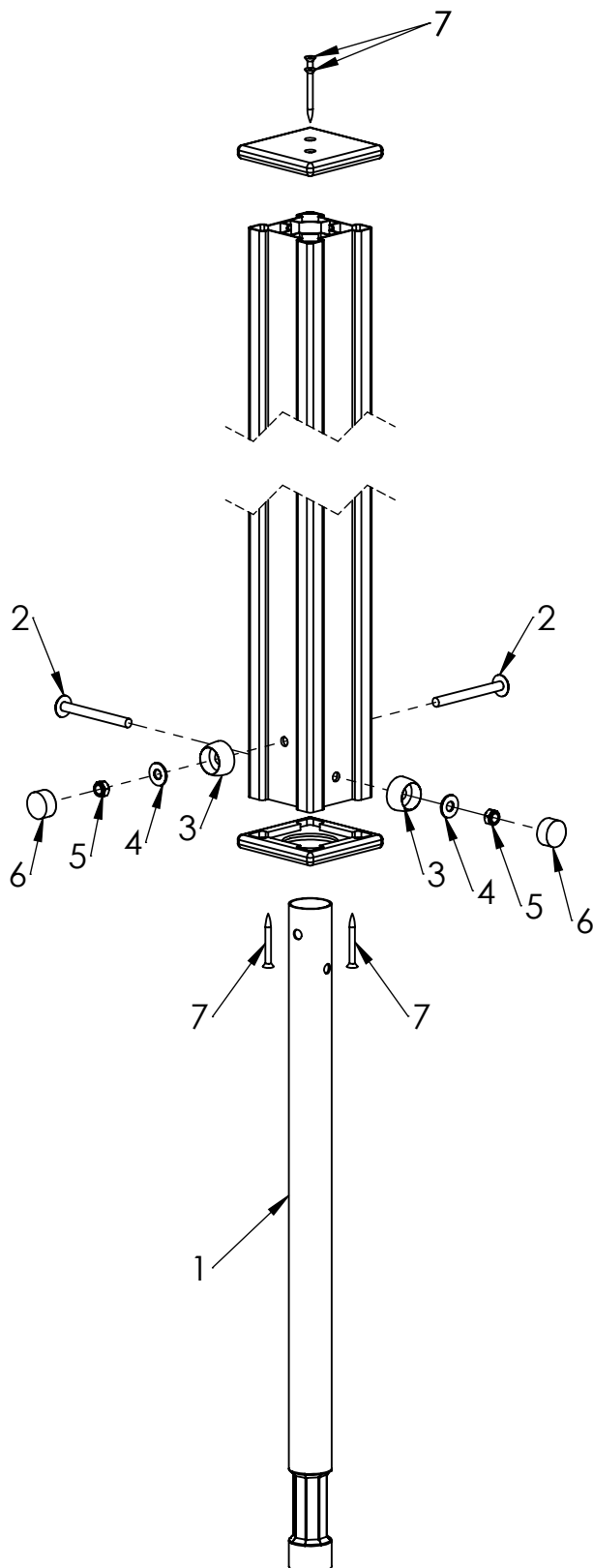
B

C

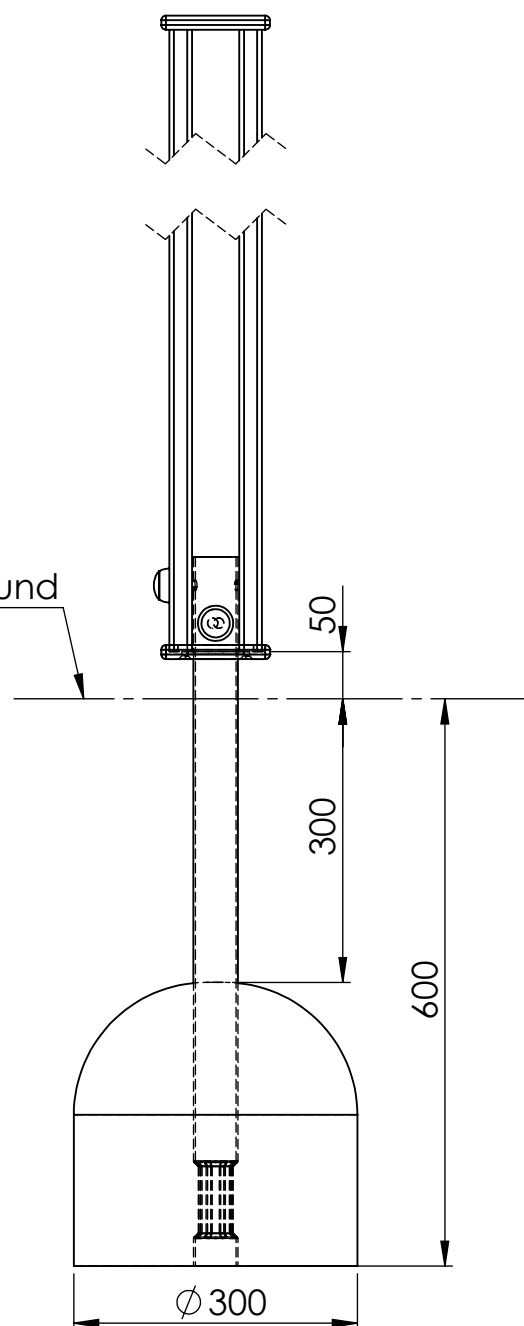
D

E

F



Ground



ITEM NO.	PART NUMBER
1	metal ground fixing L_750
2	bolt DIN603 M10x100
3	nut cover M12
4	Washer M10 DIN9054
5	nut DIN985 M10
6	nut cover cap M12
7	woodscrew 6x60

UNLESS OTHERWISE SPECIFIED:
DIMENSIONS ARE IN MILLIMETERS
WEIGHT ARE IN KILOGRAMM

PART NUMBER / DWG NO.:

LM213

	NAME	SIGNATURE	DATE	REVISION
DRAWN	I.Agar		01.04.2021	
APPV'D				

DESCRIPTION:

Play centre Daniel
connecting metal ground fixing to aluminium post

MATERIAL:

wood, metal, plastic

A4

WEIGHT:

SCALE: 1:8

SHEET 7 OF 26



Tiptiptap OÜ

Tiptiptap OÜ
Veetorni 9,
Jüri alevik, Rae vald,
75301 Harjumaa

A

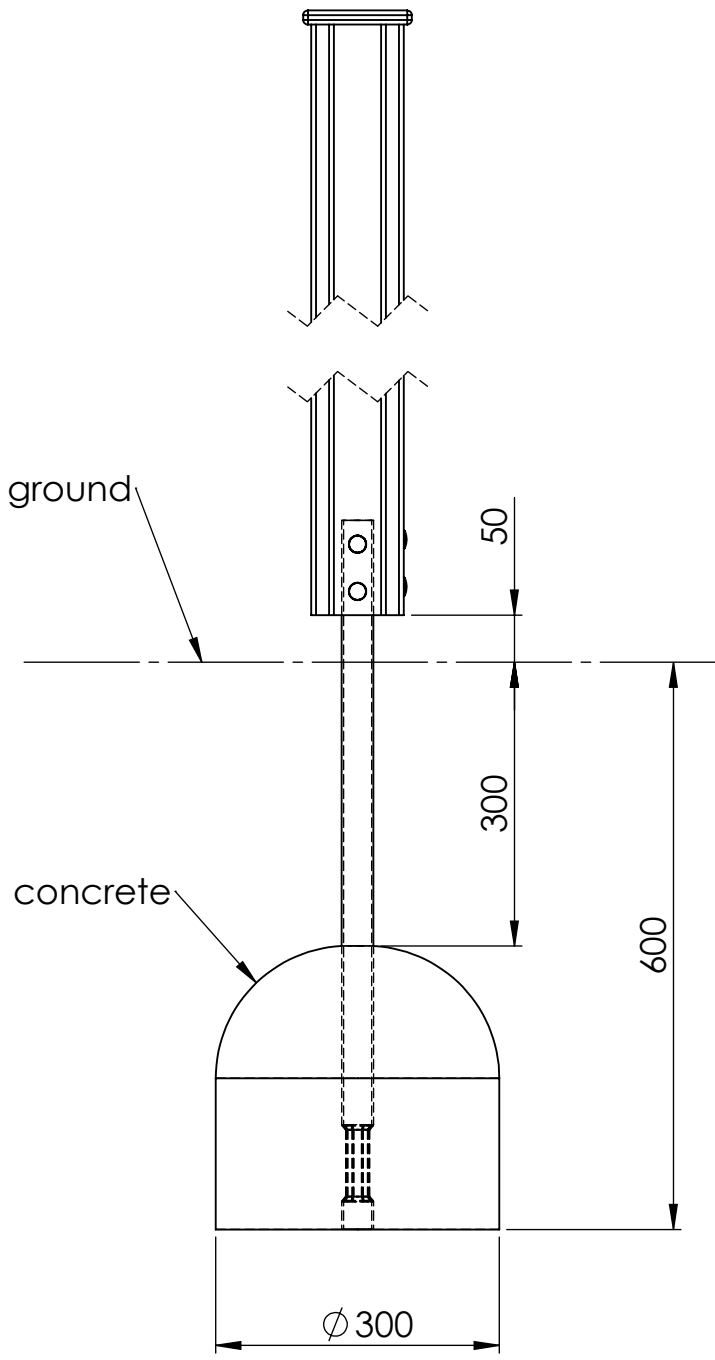
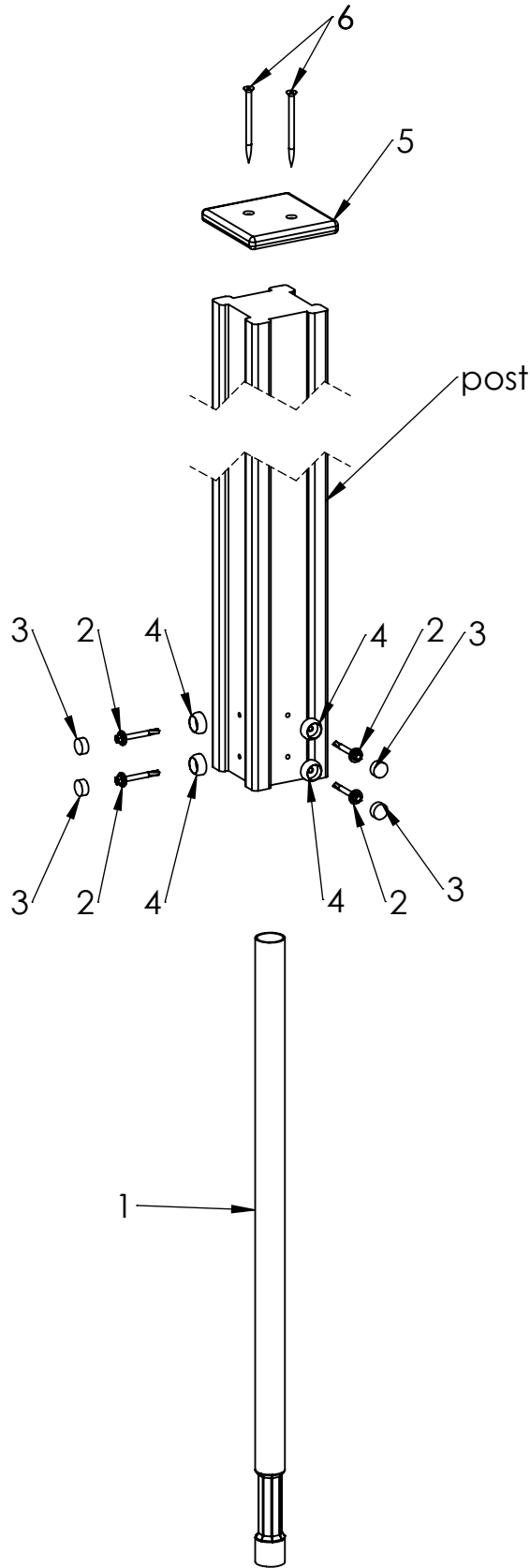
B

C

D

E

F



ITEM NO.	PART NUMBER
1	metal ground fixing L_750
2	screw DIN7504K 5,5x50
3	nut cover cap M6
4	nut cover M6
5	plastic cap 115x115
6	woodscrew 6 x 90

UNLESS OTHERWISE SPECIFIED:
 DIMENSIONS ARE IN MILLIMETERS
 WEIGHT ARE IN KILOGRAMM

	NAME	SIGNATURE	DATE	REVISION
DRAWN	I.Agar		01.04.2021	
APPV'D				

PART NUMBER / DWG NO.:
LM213

DESCRIPTION:
**Play centre Daniel
 connecting metal ground fixing to post**

Tiptiptap OÜ
 Veetorni 9,
 Jüri alevik, Rae vald,
 75301 Harjumaa

MATERIAL:	wood, metal, plastic	A4
WEIGHT:	SCALE: 1:8	SHEET 8 OF 26

A

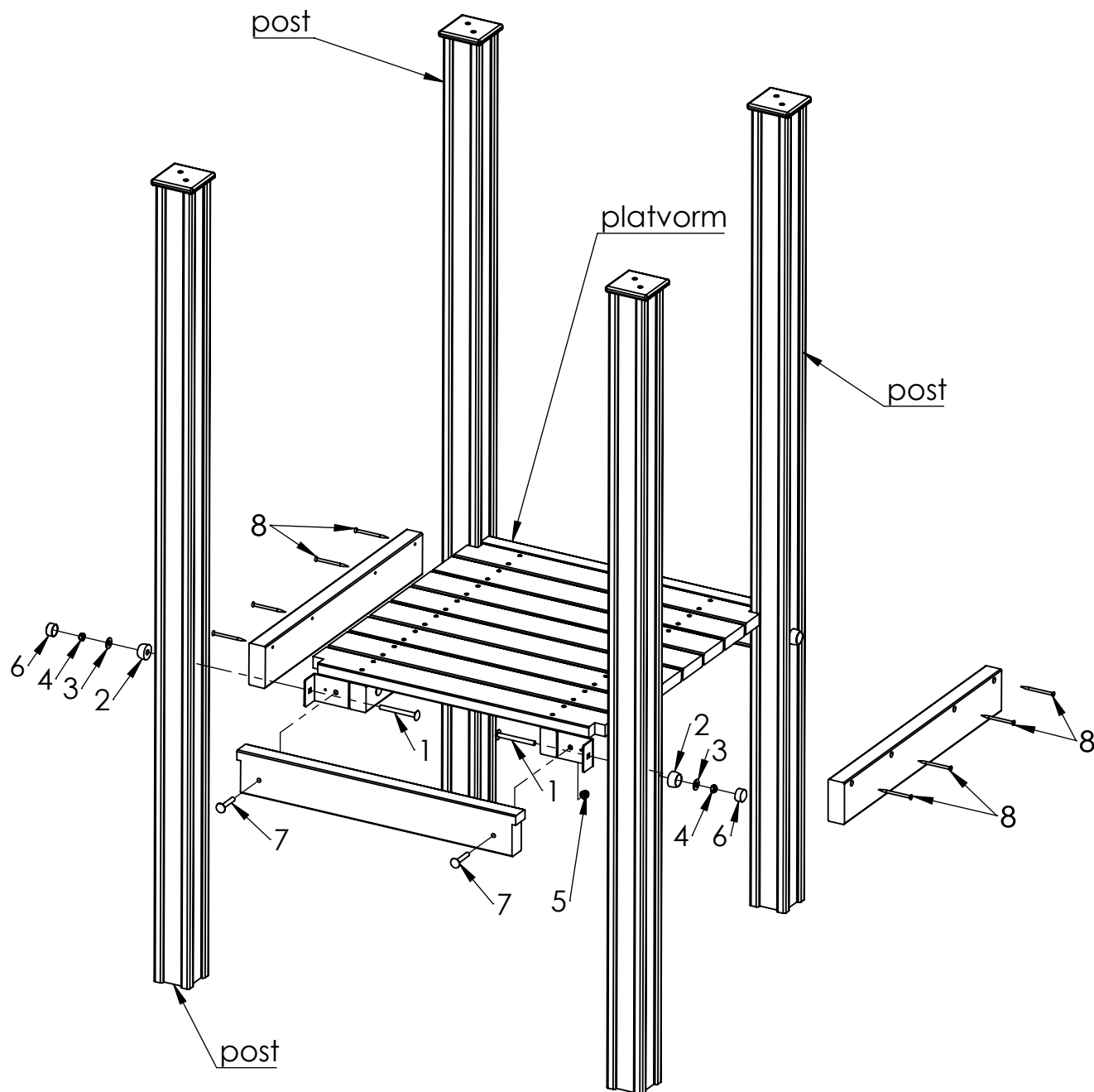
B

C

D

E

F



ITEM NO.	PART NUMBER
1	bolt DIN603 M10x100
2	nut cover M12
3	Washer M10 DIN9054
4	nut DIN985 M10
5	domed cap nut DIN986 M10
6	nut cover cap M12
7	bolt DIN603 M10x60
8	Woodscrew 6 x 90

UNLESS OTHERWISE SPECIFIED:
DIMENSIONS ARE IN MILLIMETERS
WEIGHT ARE IN KILOGRAMM

PART NUMBER / DWG NO.:

LM213

	NAME	SIGNATURE	DATE	REVISION
DRAWN	I.Agar		01.04.2021	
APPV'D				

DESCRIPTION:

Play centre Daniel
connecting platform to post

MATERIAL:

wood, metal, plastic

A4

WEIGHT:

SCALE: 1:15

SHEET 9 OF 26



Tiptiptap OÜ

Tiptiptap OÜ
Veetorni 9,
Jüri alevik, Rae vald,
75301 Harjumaa

A

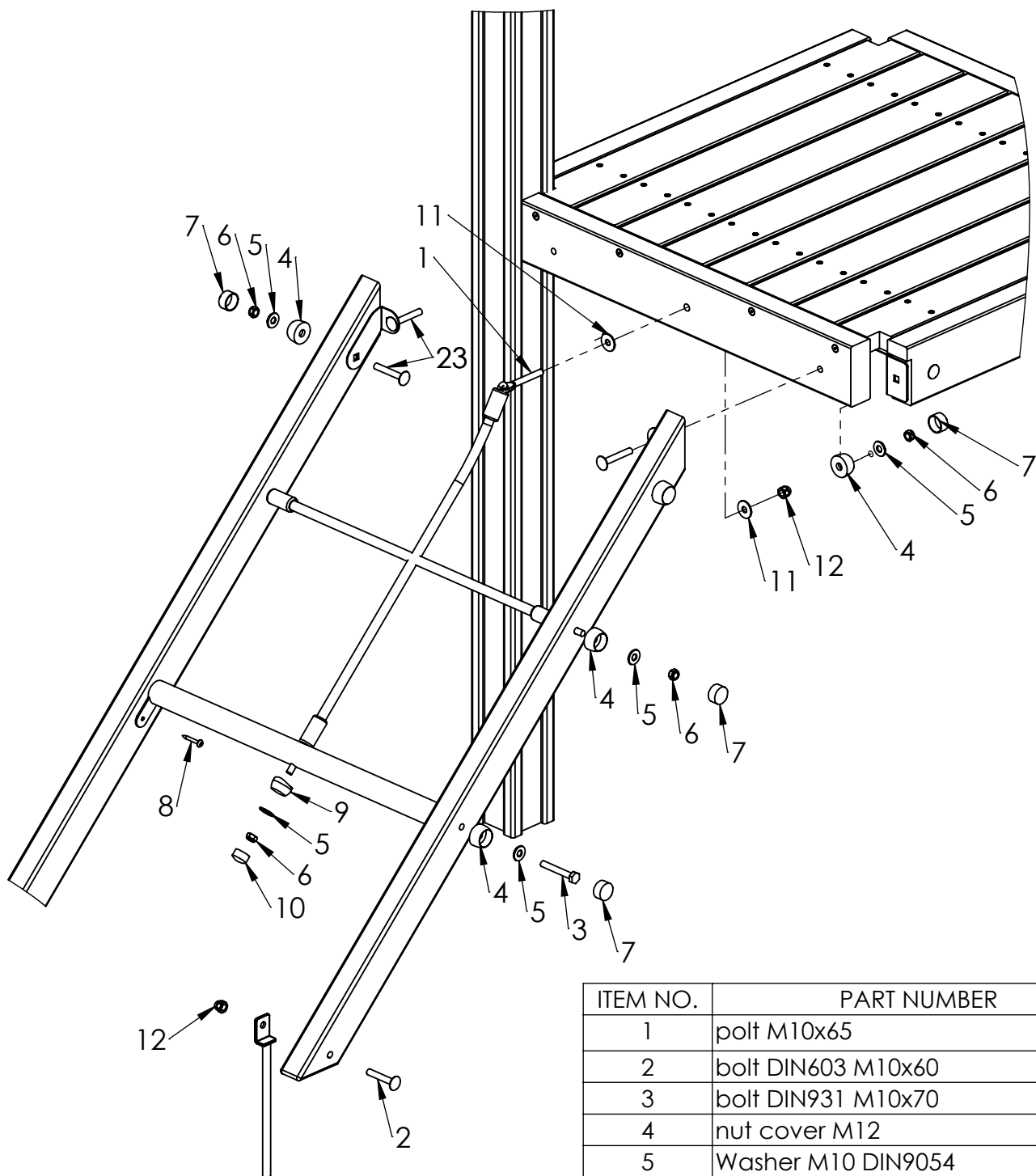
B

C

D

E

F



ITEM NO.	PART NUMBER
1	poltt M10x65
2	bolt DIN603 M10x60
3	bolt DIN931 M10x70
4	nut cover M12
5	Washer M10 DIN9054
6	nut DIN985 M10
7	nut cover cap M12
8	screw 5x40
9	nut cover for beam M10
10	nut cover cap M10
11	washer M10 DIN9021
12	domed cap nut DIN986 M10
23	bolt DIN603 M10x65

UNLESS OTHERWISE SPECIFIED:
DIMENSIONS ARE IN MILLIMETERS
WEIGHT ARE IN KILOGRAMM

PART NUMBER / DWG NO.:

LM213

	NAME	SIGNATURE	DATE	REVISION
DRAWN	I.Agar		01.04.2021	
APPV'D				

DESCRIPTION:

Play centre Daniel

MATERIAL:

wood, metal, plastic

A4

WEIGHT:

SCALE: 1:10

SHEET 10 OF 26



Tiptiptap OÜ

Tiptiptap OÜ
Veetorni 9,
Jüri alevik, Rae vald,
75301 Harjumaa

A

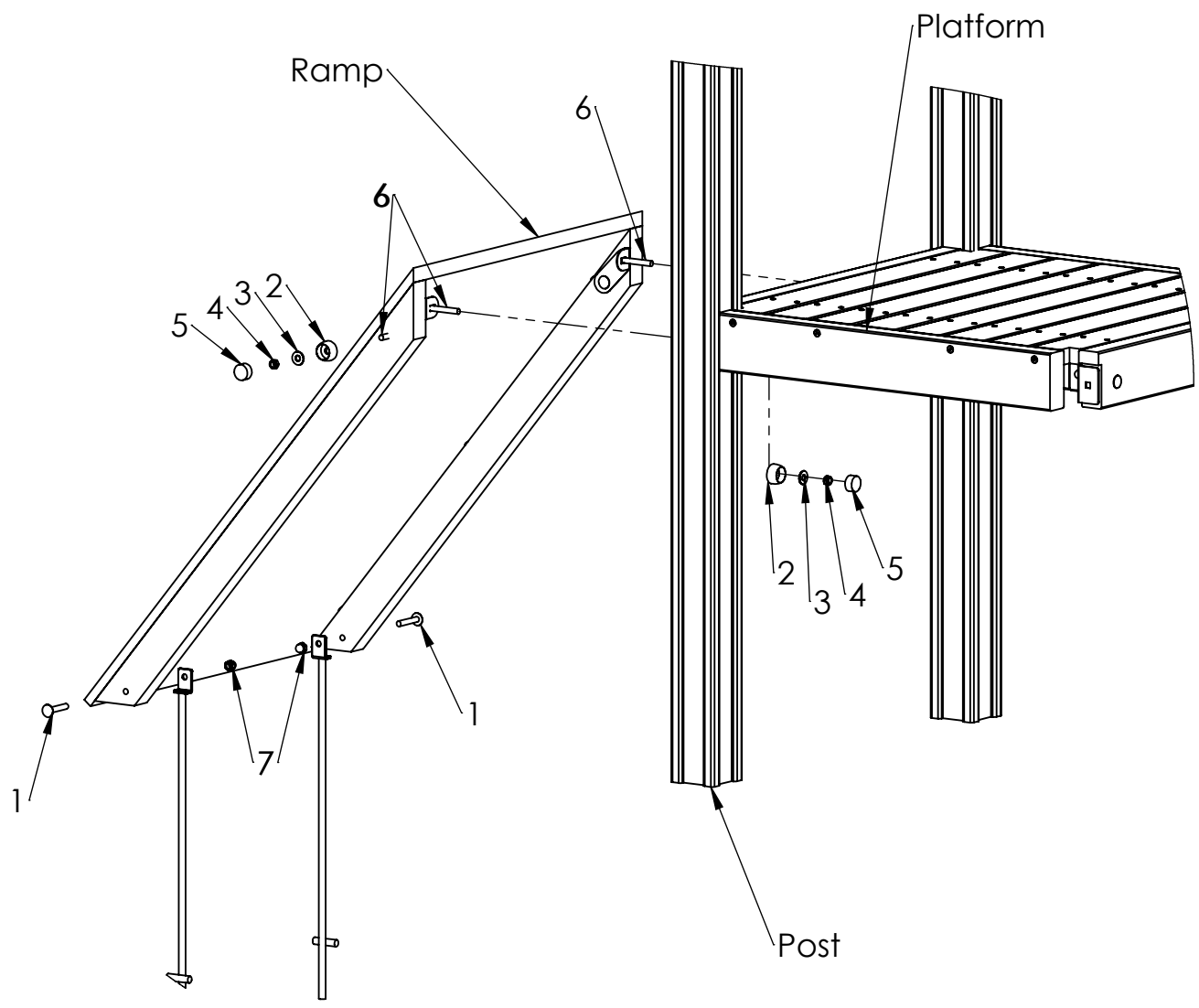
B

C

D

E

F



ITEM NO.	PART NUMBER
1	bolt DIN603 M10x60
2	nut cover M12
3	Washer M10 DIN9054
4	nut DIN985 M10
5	nut cover cap M12
6	bolt DIN603 M10x65
7	domed cap nut DIN986 M10

UNLESS OTHERWISE SPECIFIED: DIMENSIONS ARE IN MILLIMETERS WEIGHT ARE IN KILOGRAMM				
	NAME	SIGNATURE	DATE	REVISION
DRAWN	I.Agar		01.04.2021	
APPV'D				

PART NUMBER / DWG NO.:	LM213
DESCRIPTION:	Play centre Daniel connecting ramp to platform



Tiptiptap OÜ
Veetorni 9,
Jüri alevik, Rae vald,
75301 Harjumaa

MATERIAL:	wood, metal, plastic	A4
WEIGHT:	SCALE: 1:13	SHEET 11 OF 26

A

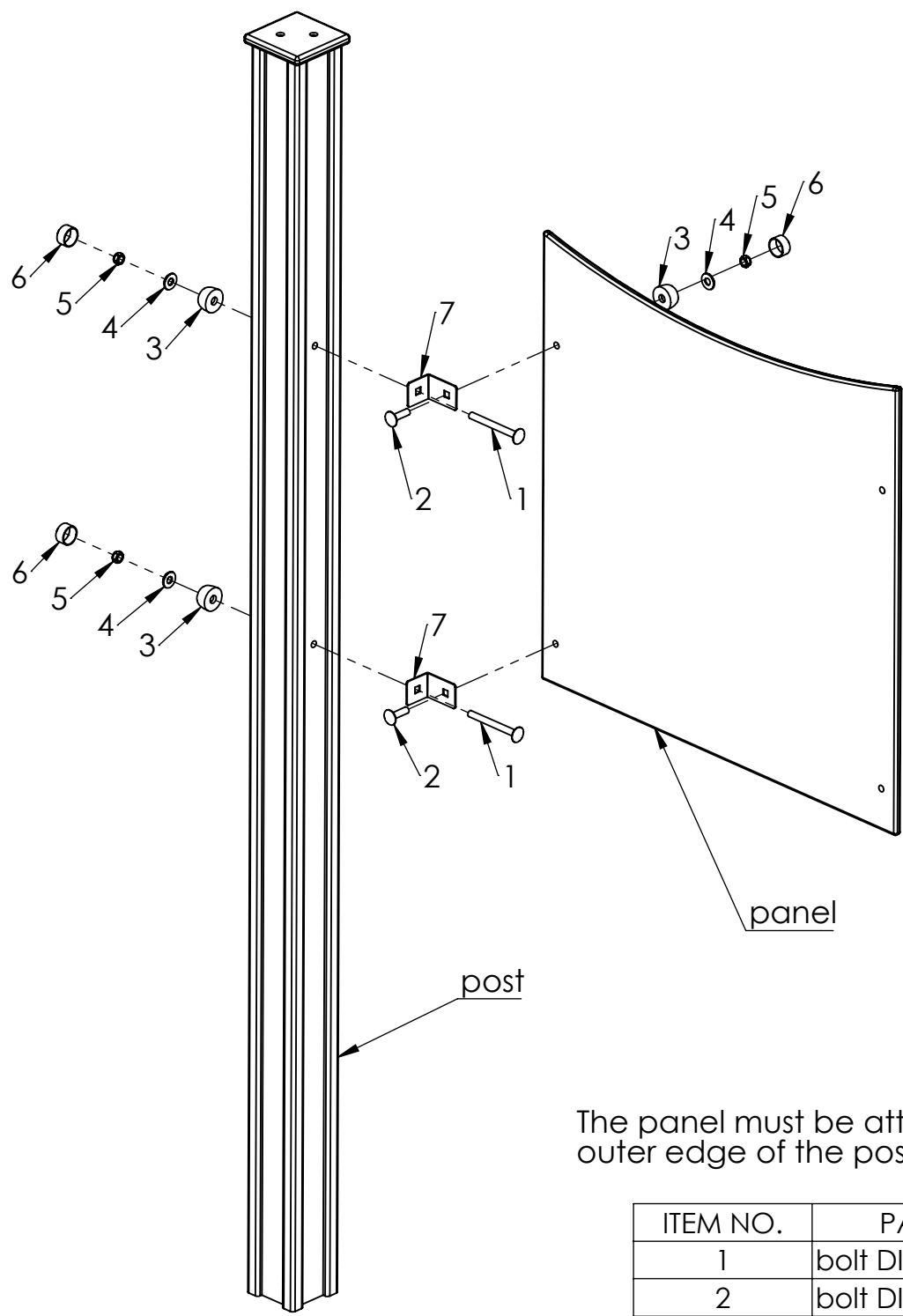
B

C

D

E

F



The panel must be attached to the outer edge of the post !!!

ITEM NO.	PART NUMBER
1	bolt DIN603 M10x100
2	bolt DIN603 M10x35
3	nut cover M12
4	Washer M10 DIN9054
5	nut DIN985 M10
6	nut cover cap M12
7	Corner 90° (45x60)

UNLESS OTHERWISE SPECIFIED:
DIMENSIONS ARE IN MILLIMETERS
WEIGHT ARE IN KILOGRAMM

PART NUMBER / DWG NO.:
LM213

	NAME	SIGNATURE	DATE	REVISION
DRAWN	I.Agar		01.04.2021	
APPV'D				

DESCRIPTION:
**Play centre Daniel
connecting panel to post**



Tiptiptap OÜ

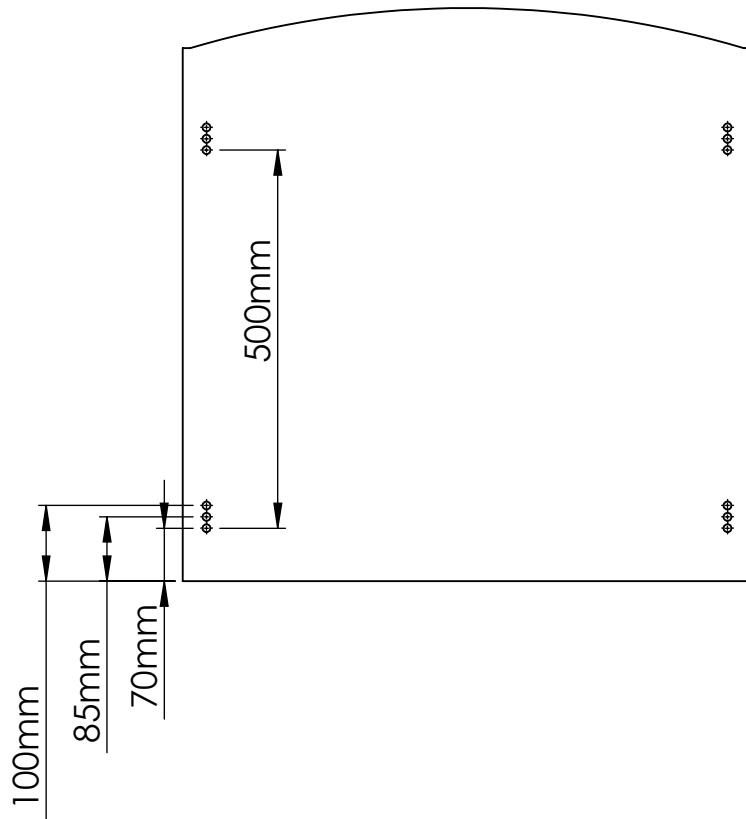
Tiptiptap OÜ
Veetorni 9,
Jüri alevik, Rae vald,
75301 Harjumaa

MATERIAL:
wood, metal, plastic

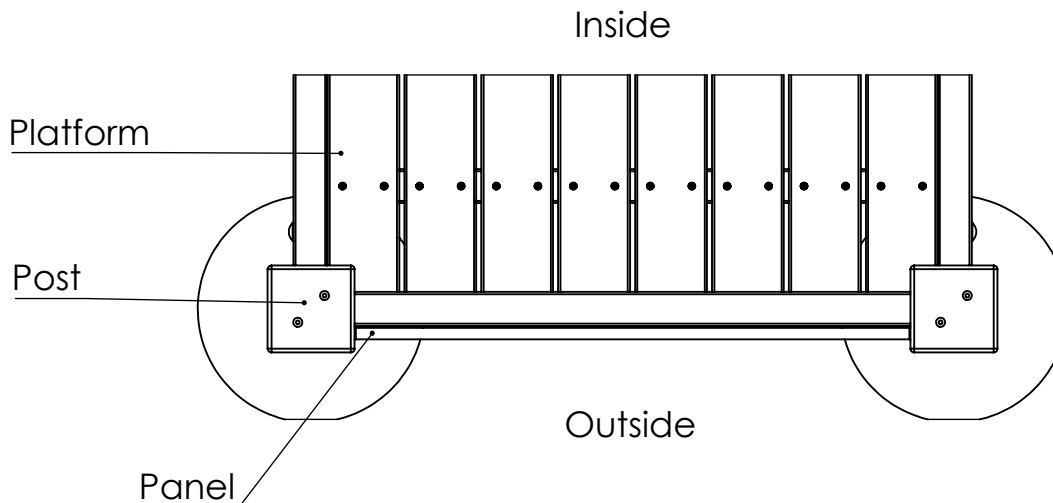
A4

WEIGHT: SCALE: 1:10 SHEET 12 OF 26

Explanation of the 'lower hole' behind the panel name:



The panel must be installed on the post as shown in the picture!



UNLESS OTHERWISE SPECIFIED:
DIMENSIONS ARE IN MILLIMETERS
WEIGHT ARE IN KILOGRAMM

PART NUMBER / DWG NO.:

LM213

	NAME	SIGNATURE	DATE	REVISION
DRAWN	I.Agar		01.04.2021	
APPV'D				

DESCRIPTION:

Play centre Daniel
connecting panel to post



Tiptiptap OÜ

Tiptiptap OÜ
Veetorni 9,
Jüri alevik, Rae vald,
75301 Harjumaa

MATERIAL:

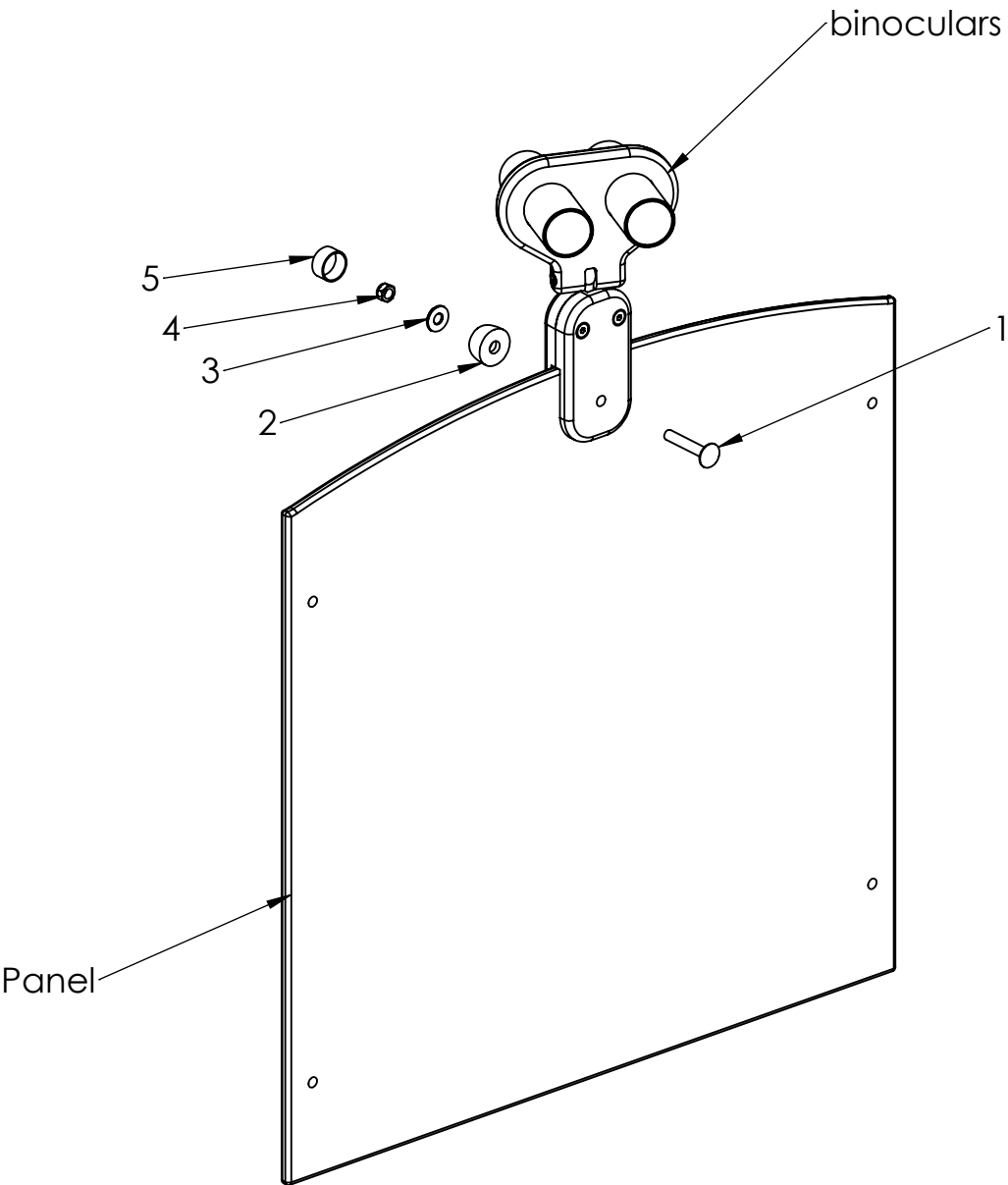
wood, metal, plastic

A4

WEIGHT:

SCALE: 1:10

SHEET 13 OF 26



ITEM NO.	PART NUMBER
1	bolt DIN603 M10x60
2	nut cover M12
3	Washer M10 DIN9054
4	nut DIN985 M10
5	nut cover cap M12

UNLESS OTHERWISE SPECIFIED:
DIMENSIONS ARE IN MILLIMETERS
WEIGHT ARE IN KILOGRAMM

PART NUMBER / DWG NO.:

LM213

	NAME	SIGNATURE	DATE	REVISION
DRAWN	I.Agar		01.04.2021	
APPV'D				

DESCRIPTION:

Play centre Daniel
Connecting binoculars to panel



Tiptiptap OÜ

Tiptiptap OÜ
Veetorni 9,
Jüri alevik, Rae vald,
75301 Harjumaa

MATERIAL:

wood, metal, plastic

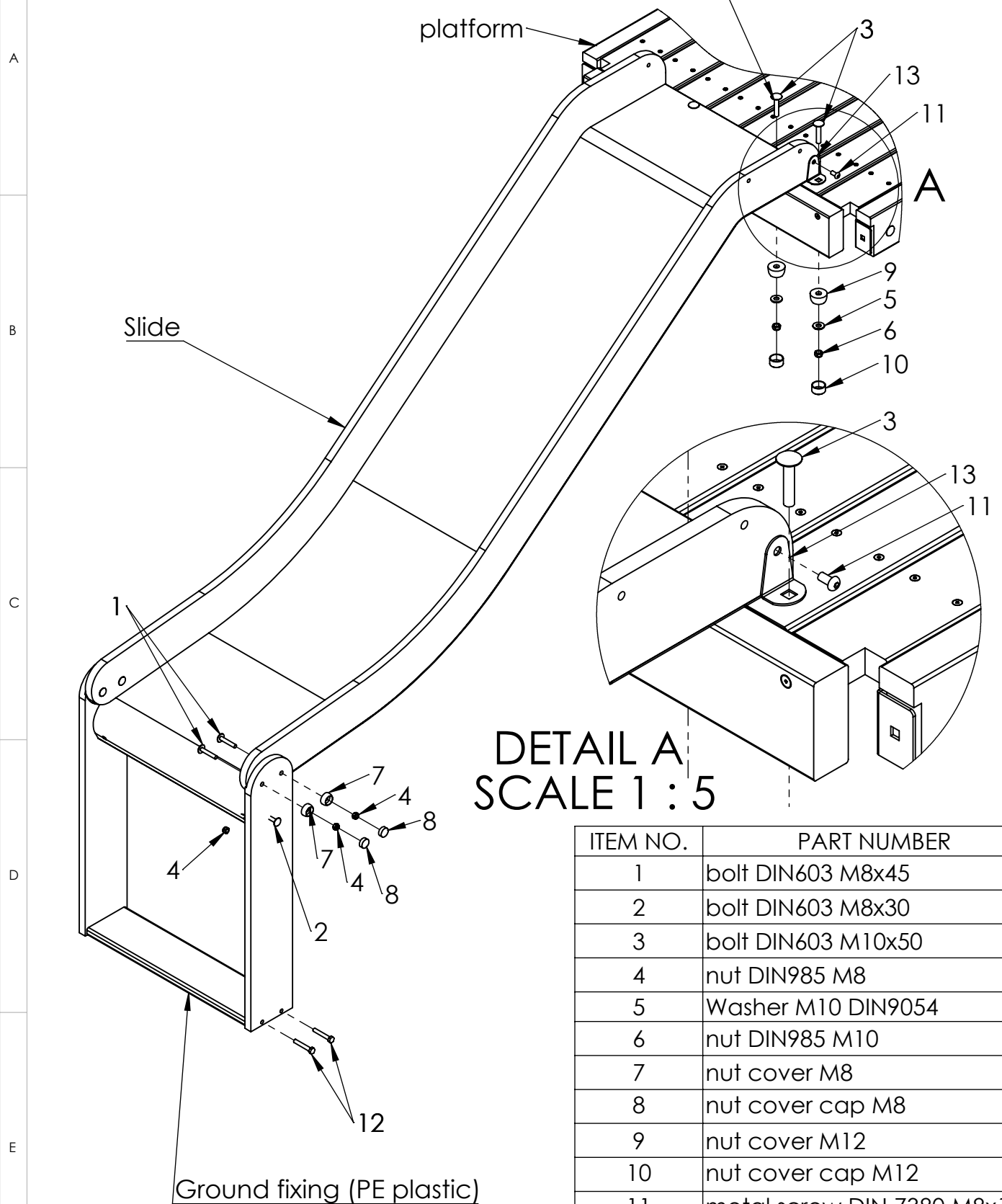
A4

WEIGHT:

SCALE: 1:7

SHEET 14 OF 26

In the case of a plastic slide, this bolt is M10x60 DIN603



DETAIL A
SCALE 1 : 5

ITEM NO.	PART NUMBER
1	bolt DIN603 M8x45
2	bolt DIN603 M8x30
3	bolt DIN603 M10x50
4	nut DIN985 M8
5	Washer M10 DIN9054
6	nut DIN985 M10
7	nut cover M8
8	nut cover cap M8
9	nut cover M12
10	nut cover cap M12
11	metal screw DIN 7380 M8x16
12	bolt DIN933 M8x50
13	metal corner for slide

UNLESS OTHERWISE SPECIFIED:
DIMENSIONS ARE IN MILLIMETERS
WEIGHT ARE IN KILOGRAMM

PART NUMBER / DWG NO.:

LM213

	NAME	SIGNATURE	DATE	REVISION
DRAWN	I.Agar		01.04.2021	
APPV'D				

DESCRIPTION:

Play centre Daniel
connecting slide to platform

MATERIAL:

wood, metal, plastic

A4

WEIGHT:

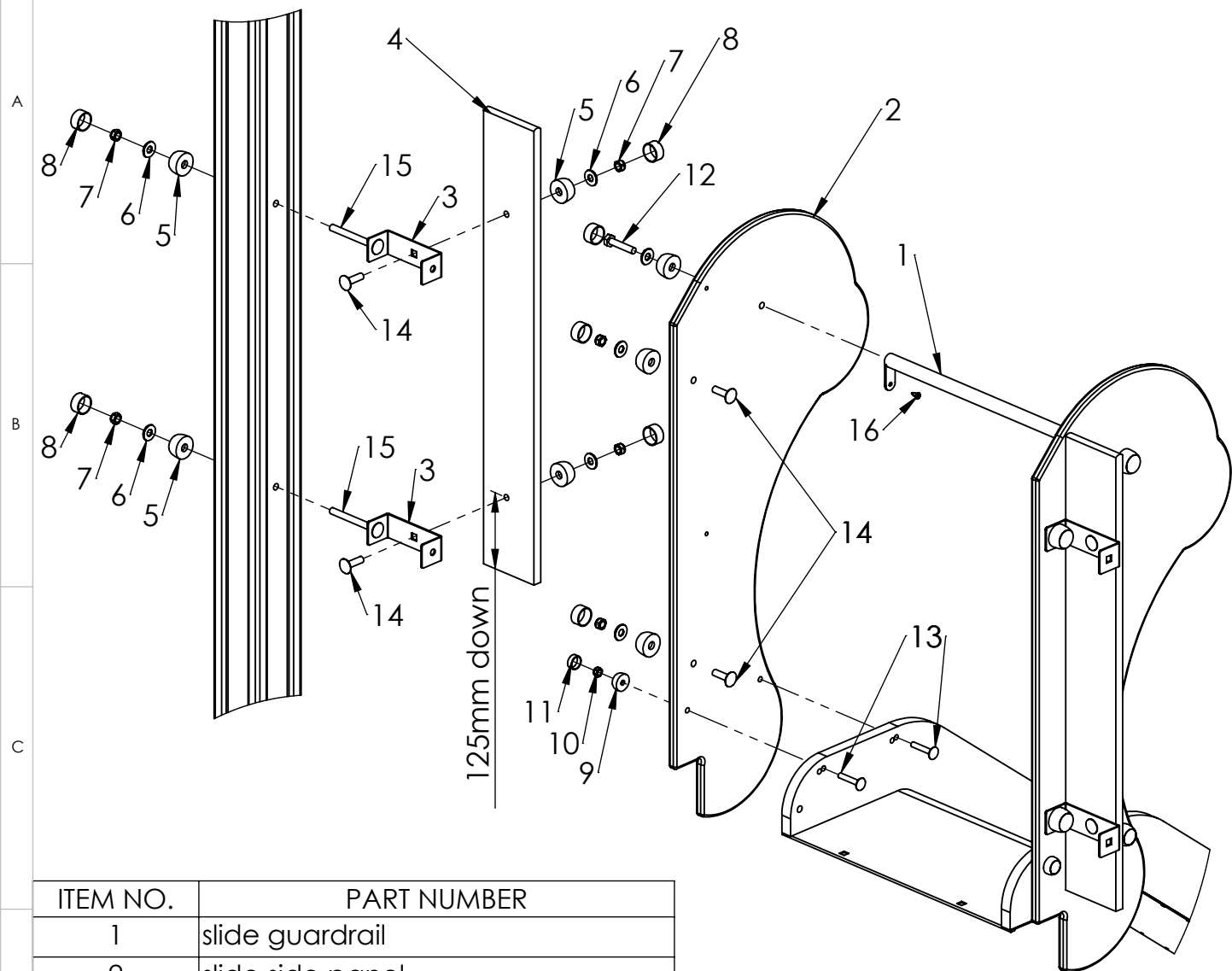
SCALE: 1:12

SHEET 15 OF 26



Tiptiptap OÜ

Tiptiptap OÜ
Veetorni 9,
Jüri alevik, Rae vald,
75301 Harjumaa



ITEM NO.	PART NUMBER
1	slide guardrail
2	slide side panel
3	slide side panel fixing (45x123x45)
4	side panel 111x770mm
5	nut cover M12
6	Washer M10 DIN9054
7	nut DIN985 M10
8	nut cover cap M12
9	nut cover M8
10	nut DIN985 M8
11	nut cover cap M8
12	bolt DIN931 M10x50
13	bolt DIN603 M8x45
14	bolt DIN603 M10x35
15	bolt DIN603 M10x100
16	wood screw 4,8x13

UNLESS OTHERWISE SPECIFIED:
DIMENSIONS ARE IN MILLIMETERS
WEIGHT ARE IN KILOGRAMM

PART NUMBER / DWG NO.:

LM213

	NAME	SIGNATURE	DATE	REVISION
DRAWN	I.Agar		01.04.2021	
APPV'D				

DESCRIPTION:

Play centre Daniel
Connecting slide guard block to post

MATERIAL:

wood, metal, plastic

A4

WEIGHT:

SCALE: 1:10

SHEET 16 OF 26



Tiptiptap OÜ

Tiptiptap OÜ
Veetorni 9,
Jüri alevik, Rae vald,
75301 Harjumaa

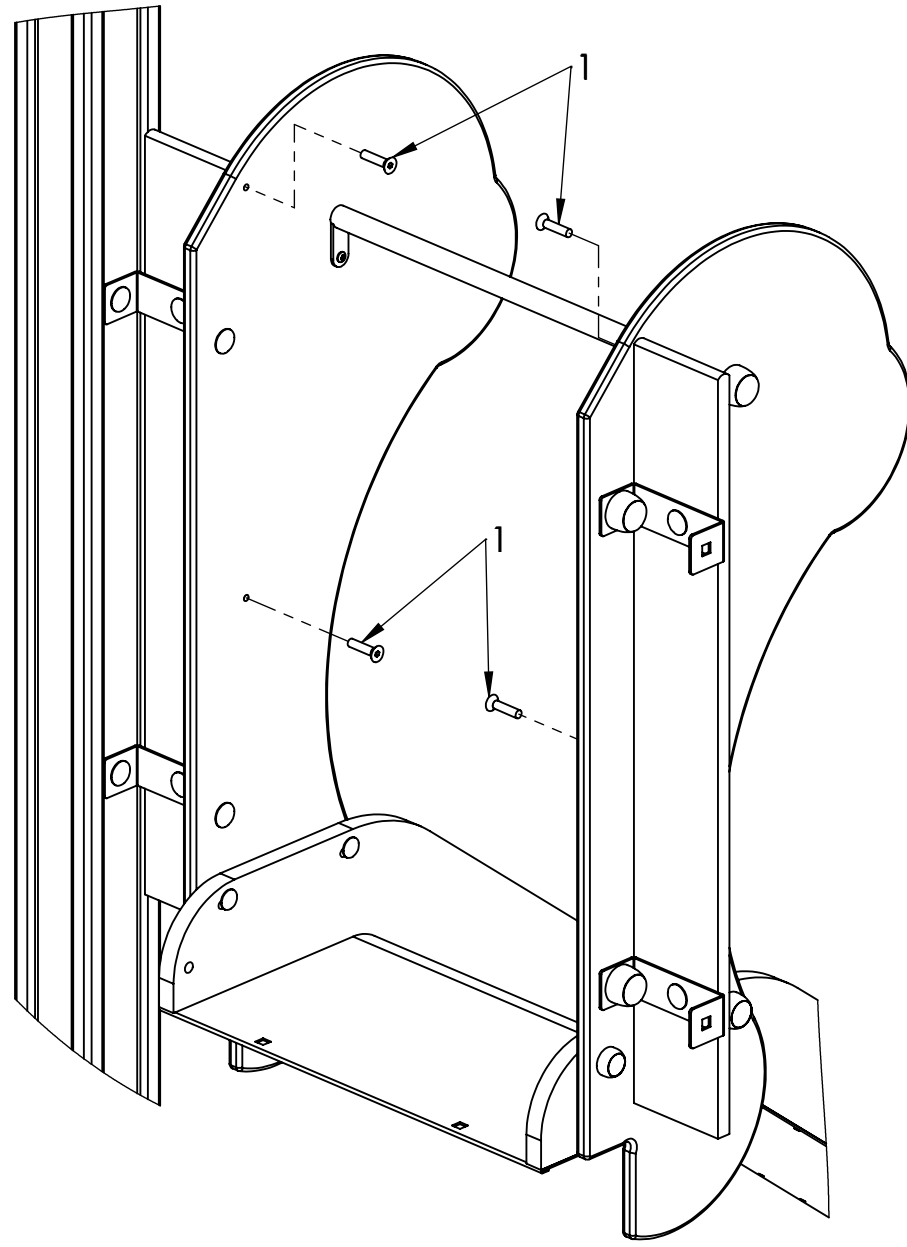
A

B

C

D

E



ITEM NO.	PART NUMBER
1	M6x35 DIN7991

UNLESS OTHERWISE SPECIFIED: DIMENSIONS ARE IN MILLIMETERS WEIGHT ARE IN KILOGRAMM				
	NAME	SIGNATURE	DATE	REVISION
DRAWN	I.Agar		01.04.2021	
APPV'D				

PART NUMBER / DWG NO.:	LM213
DESCRIPTION:	Play centre Daniel Connecting slide guard block to post


Tiptiptap OÜ
 Veetorni 9,
 Jüri alevik, Rae vald,
 75301 Harjumaa

MATERIAL:	wood, metal, plastic	A4
WEIGHT:	SCALE: 1:7	SHEET 17 OF 26

A

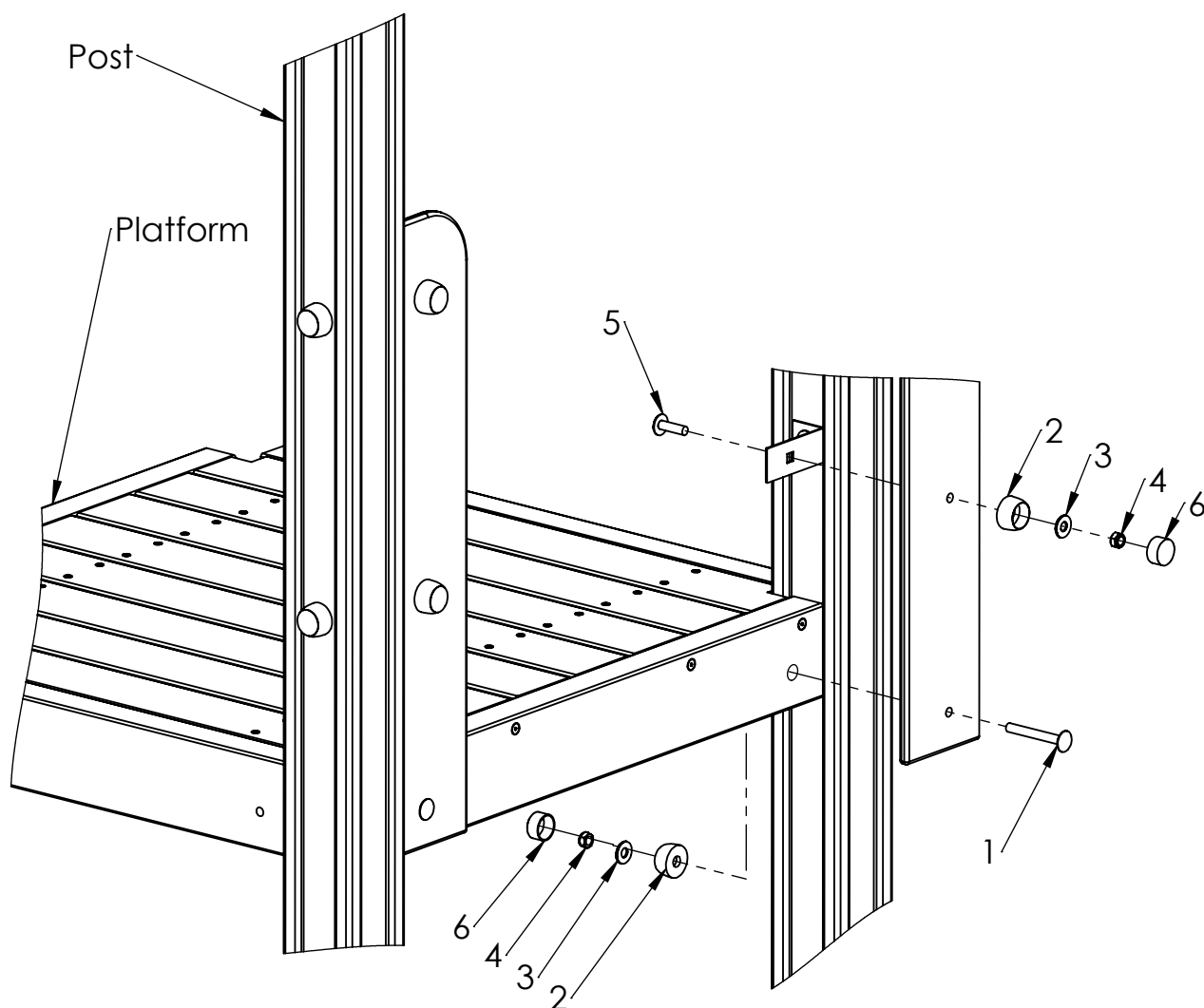
B

C

D

E

F



ITEM NO.	PART NUMBER
1	bolt DIN603 M10x80
2	nut cover M12
3	Washer M10 DIN9054
4	nut DIN985 M10
5	bolt DIN603 M10x35
6	nut cover cap M12

UNLESS OTHERWISE SPECIFIED:
DIMENSIONS ARE IN MILLIMETERS
WEIGHT ARE IN KILOGRAMM

PART NUMBER / DWG NO.:

LM213

	NAME	SIGNATURE	DATE	REVISION
DRAWN	I.Agar		01.04.2021	
APPV'D				

DESCRIPTION:

Play centre Daniel
Connecting climbing pole side panel to post

MATERIAL:

wood, metal, plastic

A4

WEIGHT:

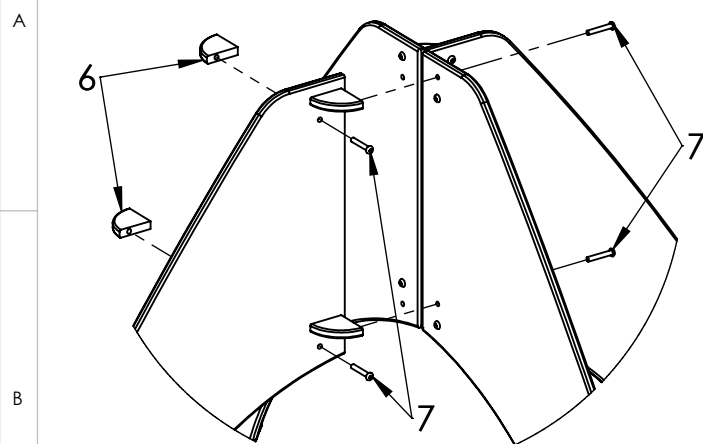
SCALE: 1:8

SHEET 18 OF 26

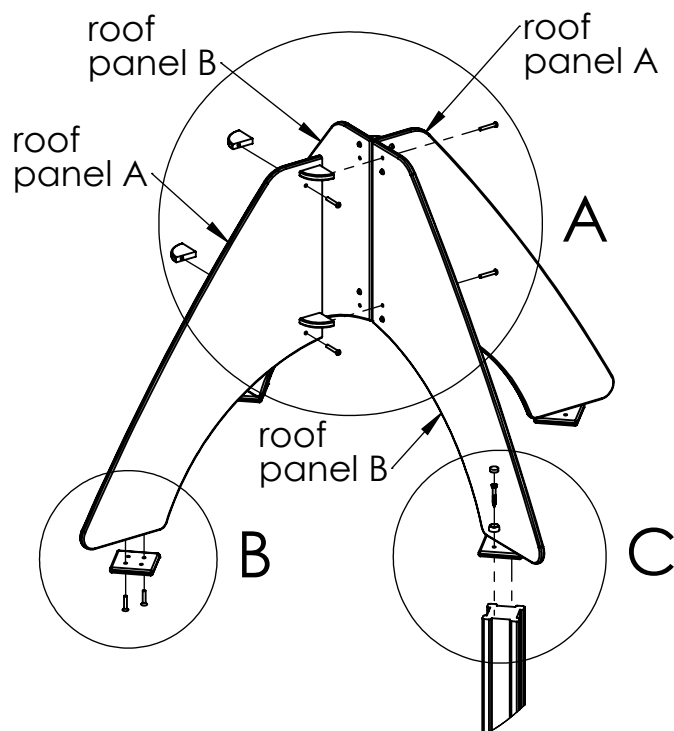


Tiptiptap OÜ

Tiptiptap OÜ
Veetorni 9,
Jüri alevik, Rae vald,
75301 Harjumaa

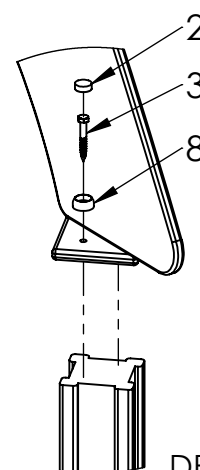
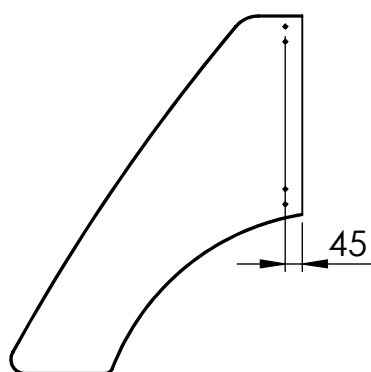
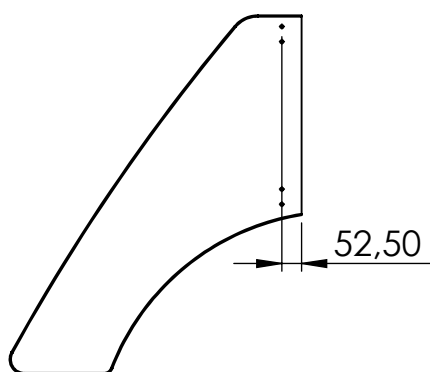


DETAIL A
SCALE 1 : 13

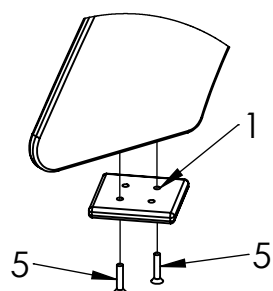


roof panel A

roof panel B



DETAIL C
SCALE 1 : 10



DETAIL B
SCALE 1 : 10

ITEM NO.	PART NUMBER
1	Plastic cap
2	nut cover cap M8
3	wood screw DIN571 8x60
4	roof panel
5	M8x40 DIN7991
6	plastic corner 90°
7	metal screw DIN 7380 M8x40
8	nut cover M8

UNLESS OTHERWISE SPECIFIED:
DIMENSIONS ARE IN MILLIMETERS
WEIGHT ARE IN KILOGRAMM

PART NUMBER / DWG NO.:

LM213

	NAME	SIGNATURE	DATE	REVISION
DRAWN	I.Agar		01.04.2021	
APPV'D				

DESCRIPTION:

Play centre Daniel
roof assembly

MATERIAL:

wood, metal, plastic

A4

WEIGHT:

SCALE: 1:50

SHEET 19 OF 26



Tiptiptap OÜ

Tiptiptap OÜ
Veetorni 9,
Jüri alevik, Rae vald,
75301 Harjumaa

A

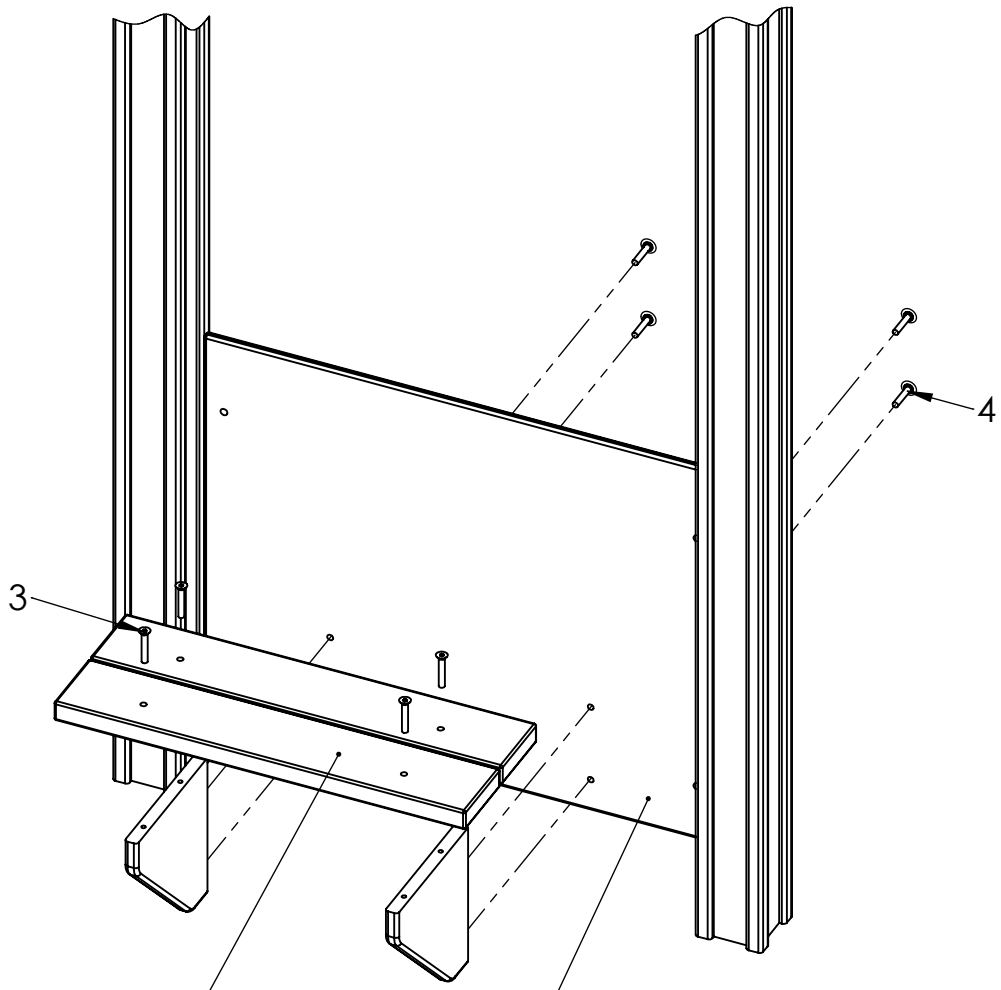
B

C

D

E

F



playcorner-bench

panel

ITEM NO.	PART NUMBER
3	DIN7991 M8x40
4	Art. 9121 TX-PIN M8x40

UNLESS OTHERWISE SPECIFIED: DIMENSIONS ARE IN MILLIMETERS WEIGHT ARE IN KILOGRAMM				
	NAME	SIGNATURE	DATE	REVISION
DRAWN	I.Agar			
APPV'D				

PART NUMBER / DWG NO.:	LM213
------------------------	-------

DESCRIPTION:	Play centre Daniel connecting playcorner-bench to panel
--------------	--



Tiptiptap OÜ
Veetorni 9,
Jüri alevik, Rae vald,
75301 Harjumaa

MATERIAL:	wood, metal, plastic	A4
WEIGHT:	SCALE: 1:10	SHEET 20 OF 26

A

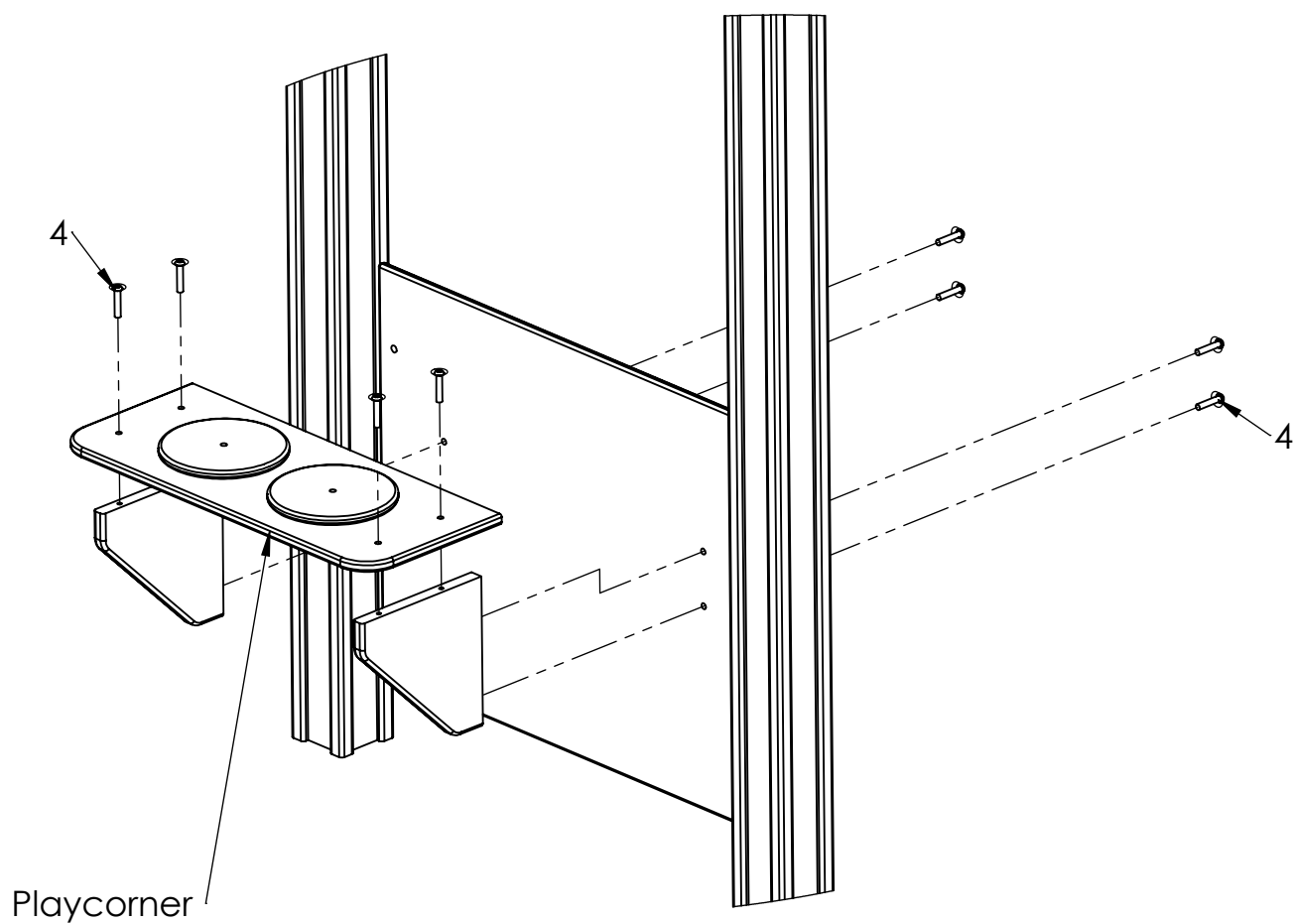
B

C

D

E

F



Playcorner

ITEM NO.

4

PART NUMBER

Art. 9121 TX-PIN M8x40

UNLESS OTHERWISE SPECIFIED:
DIMENSIONS ARE IN MILLIMETERS
WEIGHT ARE IN KILOGRAMM

PART NUMBER / DWG NO.:

LM213

	NAME	SIGNATURE	DATE	REVISION
DRAWN	I.Agar		01.04.2021	
APPV'D				

DESCRIPTION:

Play centre Daniel
connecting playcorner-kitchen to panel

MATERIAL:

wood, metal, plastic

A4

WEIGHT:

SCALE: 1:10

SHEET 21 OF 26



Tiptaptap OÜ

Tiptaptap OÜ
Veetorni 9,
Jüri alevik, Rae vald,
75301 Harjumaa

A

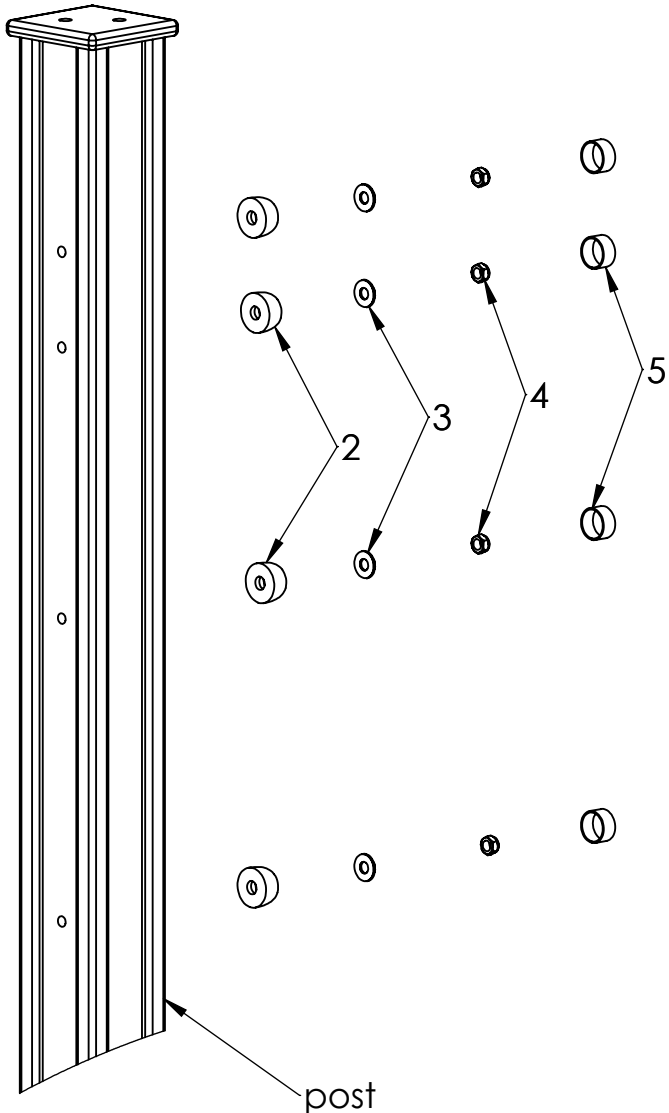
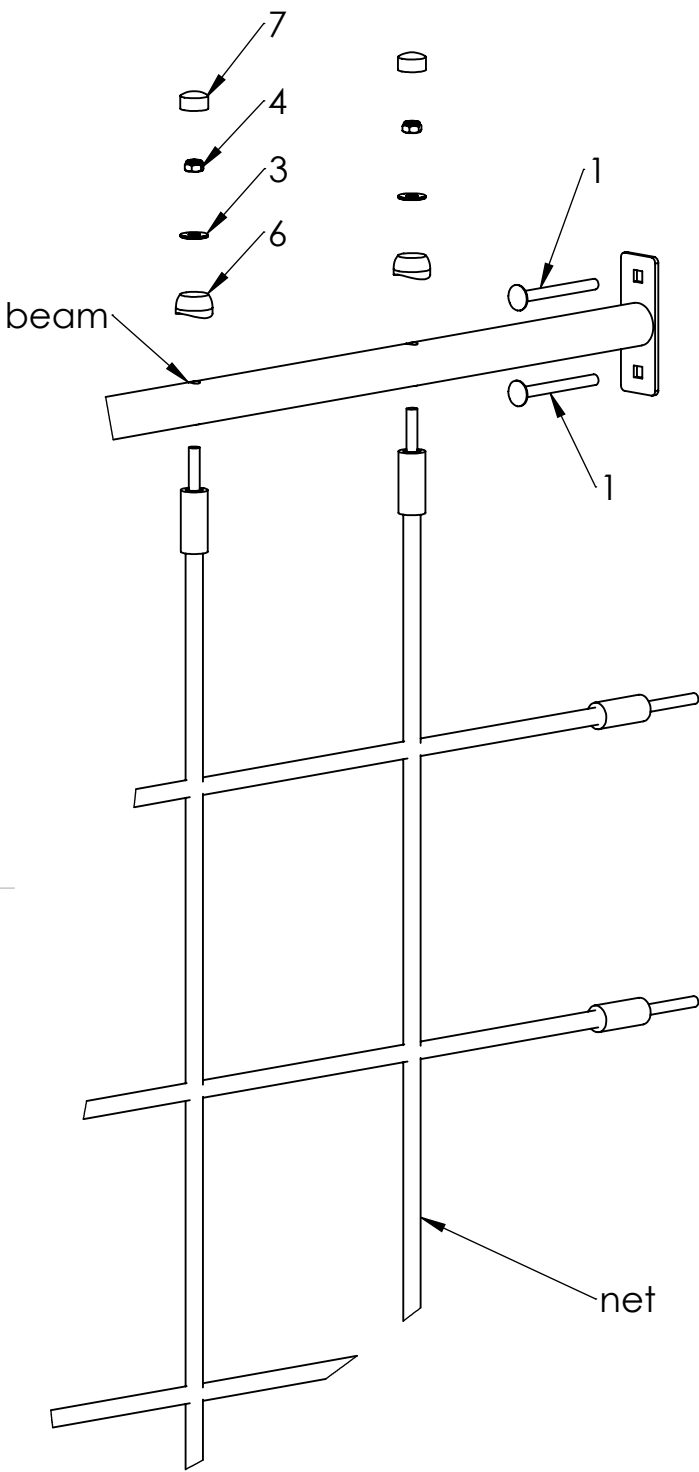
B

C

D

E

F



ITEM NO.	PART NUMBER
1	bolt DIN603 M10x100
2	nut cover M12
3	Washer M10 DIN9054
4	nut DIN985 M10
5	nut cover cap M12
6	nut cover for beam M10
7	nut cover cap M10

UNLESS OTHERWISE SPECIFIED:
 DIMENSIONS ARE IN MILLIMETERS
 WEIGHT ARE IN KILOGRAMM

	NAME	SIGNATURE	DATE	REVISION
DRAWN	I.Agar			
APPV'D				

PART NUMBER / DWG NO.:
LM213

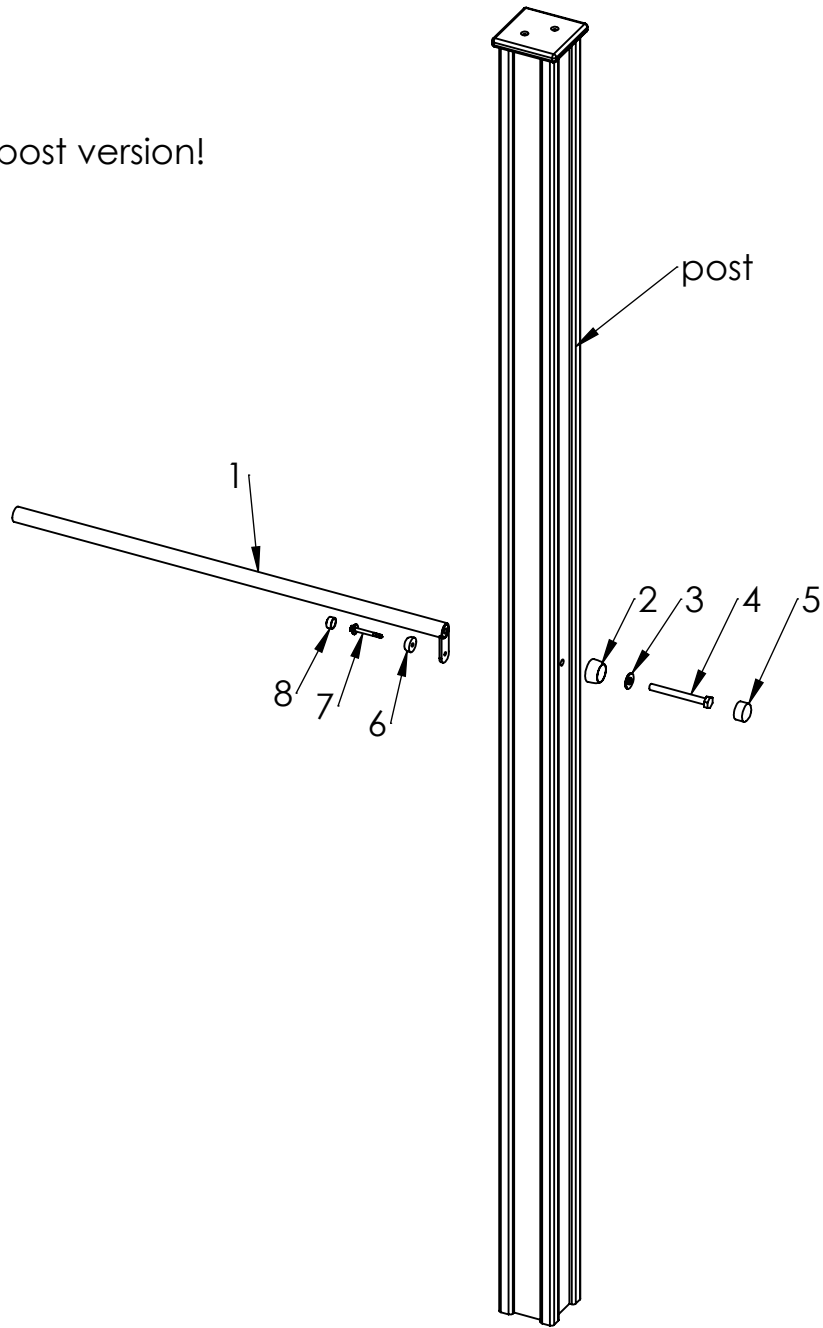
DESCRIPTION:
Play centre Daniel
Connecting beam and climbing net to post



Tiptiptap OÜ
 Veetorni 9,
 Jüri alevik, Rae vald,
 75301 Harjumaa

MATERIAL: wood, metal, plastic	A4
WEIGHT:	SCALE: 1:7
	SHEET 22 OF 26

Aluminium post version!



ITEM NO.	PART NUMBER
1	guardrail ϕ 25x770
2	nut cover M12
3	Washer M10 DIN9054
4	bolt DIN931 M10x100
5	nut cover cap M12
6	nut cover M6
7	screw DIN7504K 5,5x50
8	nut cover cap M6

UNLESS OTHERWISE SPECIFIED:
DIMENSIONS ARE IN MILLIMETERS
WEIGHT ARE IN KILOGRAMM

PART NUMBER / DWG NO.:

LM213

	NAME	SIGNATURE	DATE	REVISION
DRAWN	I.Agar			
APPV'D				

DESCRIPTION:

Play centre Daniel
connecting guardrail to post

MATERIAL:

wood, metal, plastic

A4

WEIGHT:

SCALE: 1:12

SHEET 23 OF 26



Tiptiptap OÜ

Tiptiptap OÜ
Veetorni 9,
Jüri alevik, Rae vald,
75301 Harjumaa

A

Wood post version!

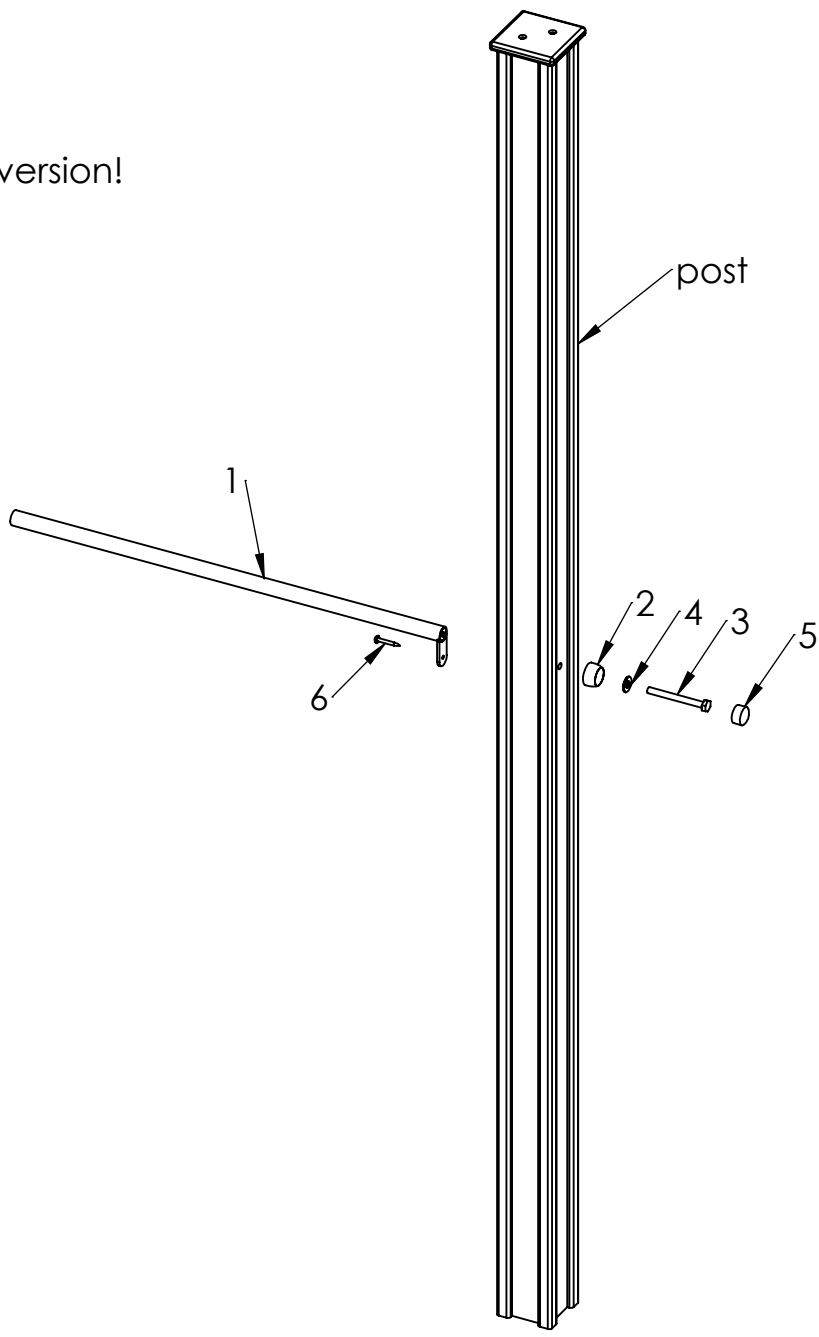
B

C

D

E

F



ITEM NO.	PART NUMBER
1	guardrail \varnothing 25x770
2	nut cover M12
3	bolt DIN931 M10x100
4	Washer M10 DIN9054
5	nut cover cap M12
6	screw 5x40

UNLESS OTHERWISE SPECIFIED:
 DIMENSIONS ARE IN MILLIMETERS
 WEIGHT ARE IN KILOGRAMM

	NAME	SIGNATURE	DATE	REVISION
DRAWN	I.Agar			
APPV'D				

PART NUMBER / DWG NO.:
LM213

DESCRIPTION:
 Play centre Daniel
 connecting guardrail to post



Tiptiptap OÜ
 Veetorni 9,
 Jüri alevik, Rae vald,
 75301 Harjumaa

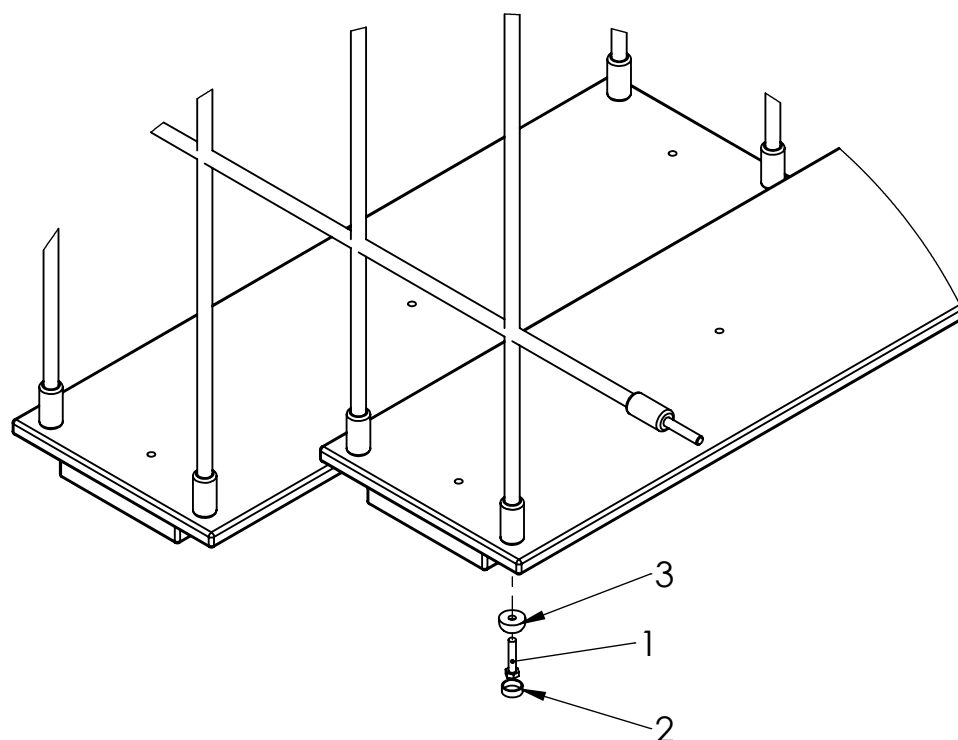
MATERIAL:	wood, metal, plastic	A4
WEIGHT:		SCALE: 1:12
		SHEET 24 OF 26

A

B

C

D



ITEM NO.	PART NUMBER	DESCRIPTION
1	bolt DIN931 M8x40	galvanized steel
2	nut cover cap M8	PE plastic
3	nut cover M8	PE plastic

UNLESS OTHERWISE SPECIFIED:
DIMENSIONS ARE IN MILLIMETERS
WEIGHT ARE IN KILOGRAMM

PART NUMBER / DWG NO.:

LM213

	NAME	SIGNATURE	DATE	REVISION
DRAWN	I.Agar		01.04.2021	
APPV'D				

DESCRIPTION:

Play centre Daniel

F



Tiptiptap OÜ

Tiptiptap OÜ
Veetorni 9,
Jüri alevik, Rae vald,
75301 Harjumaa

MATERIAL:

wood, metal, plastic

A4

WEIGHT:

SCALE: 1:8

SHEET 25 OF 26

A

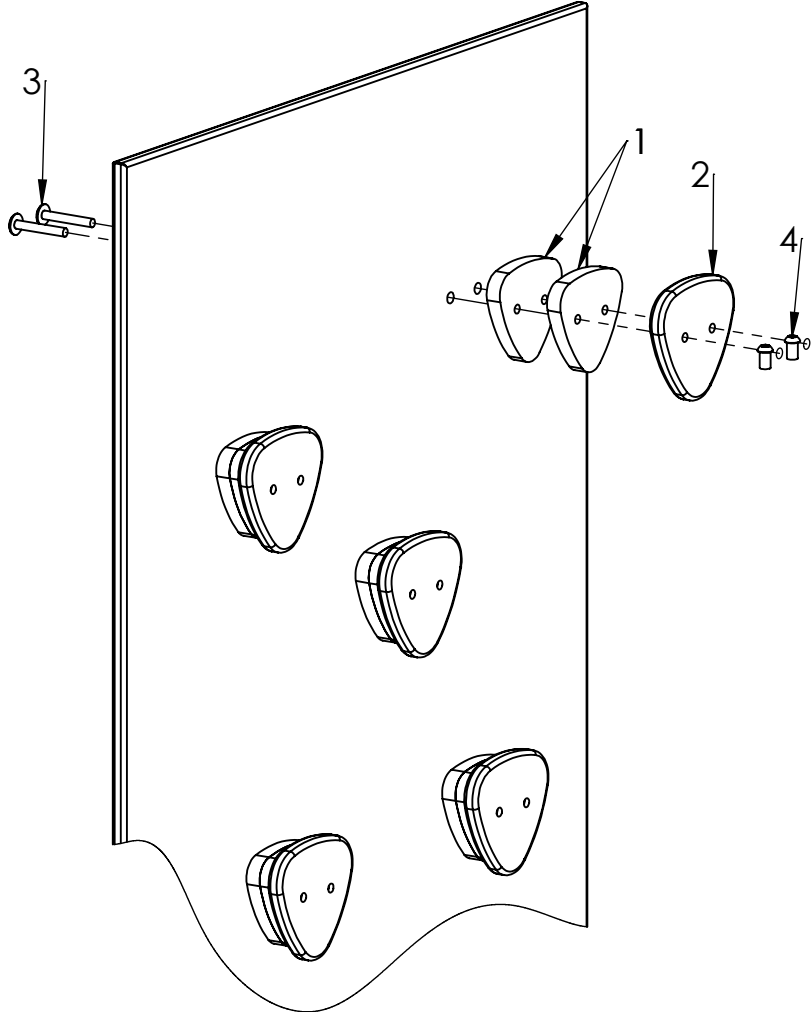
B

C

D

E

F



ITEM NO.	PART NUMBER
1	climbing grip base
2	climbing grip
3	bolt DIN603 M8x60
4	M8 safety nut

UNLESS OTHERWISE SPECIFIED: DIMENSIONS ARE IN MILLIMETERS WEIGHT ARE IN KILOGRAMM				
	NAME	SIGNATURE	DATE	REVISION
DRAWN	I.Agar			
APPV'D				

PART NUMBER / DWG NO.:	LM213
DESCRIPTION:	Play centre Daniel Assembling climbing grip



Tiptiptap OÜ
Veetorni 9,
Jüri alevik, Rae vald,
75301 Harjumaa

MATERIAL:	wood, metal, plastic	A4
WEIGHT:	SCALE: 1:7	SHEET 26 OF 26