

A

B

C

D

E

F



UNLESS OTHERWISE SPECIFIED:
DIMENSIONS ARE IN MILLIMETERS
WEIGHT ARE IN KILOGRAMM

PART NUMBER / DWG NO.:

LM102

	NAME	SIGNATURE	DATE	REVISION
DRAWN	I.Agar		06.04.2021	
APPV'D				

DESCRIPTION:

Play centre Johanna



Tiptiptap OÜ

Tiptiptap OÜ
Veetorni 9,
Jüri alevik, Rae vald,
75301 Harjumaa

MATERIAL:

wood, metal, plastic

A4

WEIGHT:

SCALE: 1:30

SHEET 1 OF 24

Safety area

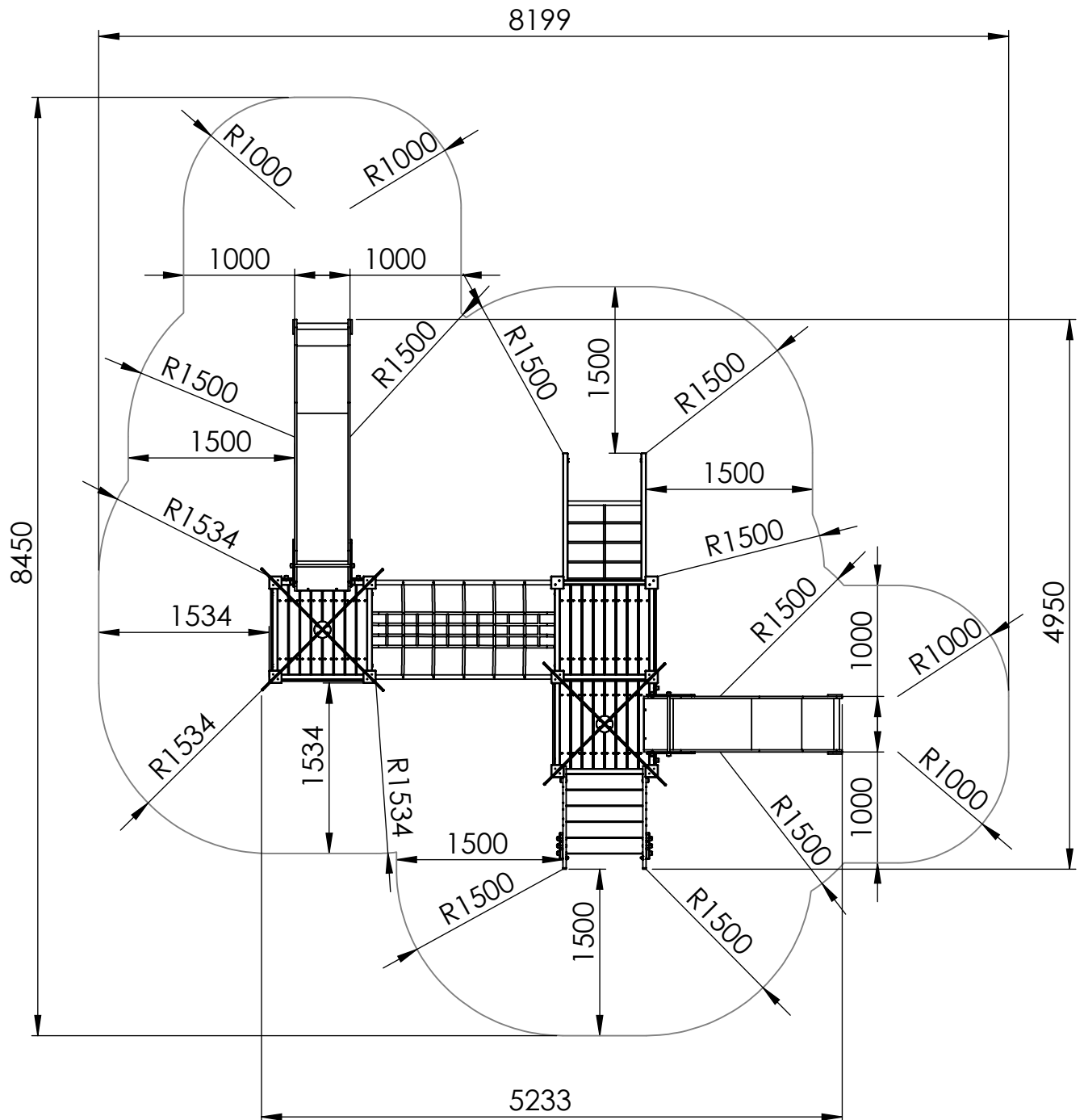
A

B

C

D

E



UNLESS OTHERWISE SPECIFIED:
DIMENSIONS ARE IN MILLIMETERS
WEIGHT ARE IN KILOGRAMM

PART NUMBER / DWG NO.:

LM102

	NAME	SIGNATURE	DATE	REVISION
DRAWN	I.Agar		06.04.2021	
APPV'D				

DESCRIPTION:

Play centre Johanna



Tiptaptap OÜ

Tiptaptap OÜ
Veetorni 9,
Jüri alevik, Rae vald,
75301 Harjumaa

MATERIAL:

wood, metal, plastic

A4

WEIGHT:

SCALE: 1:55

SHEET 2 OF 24

Foundation

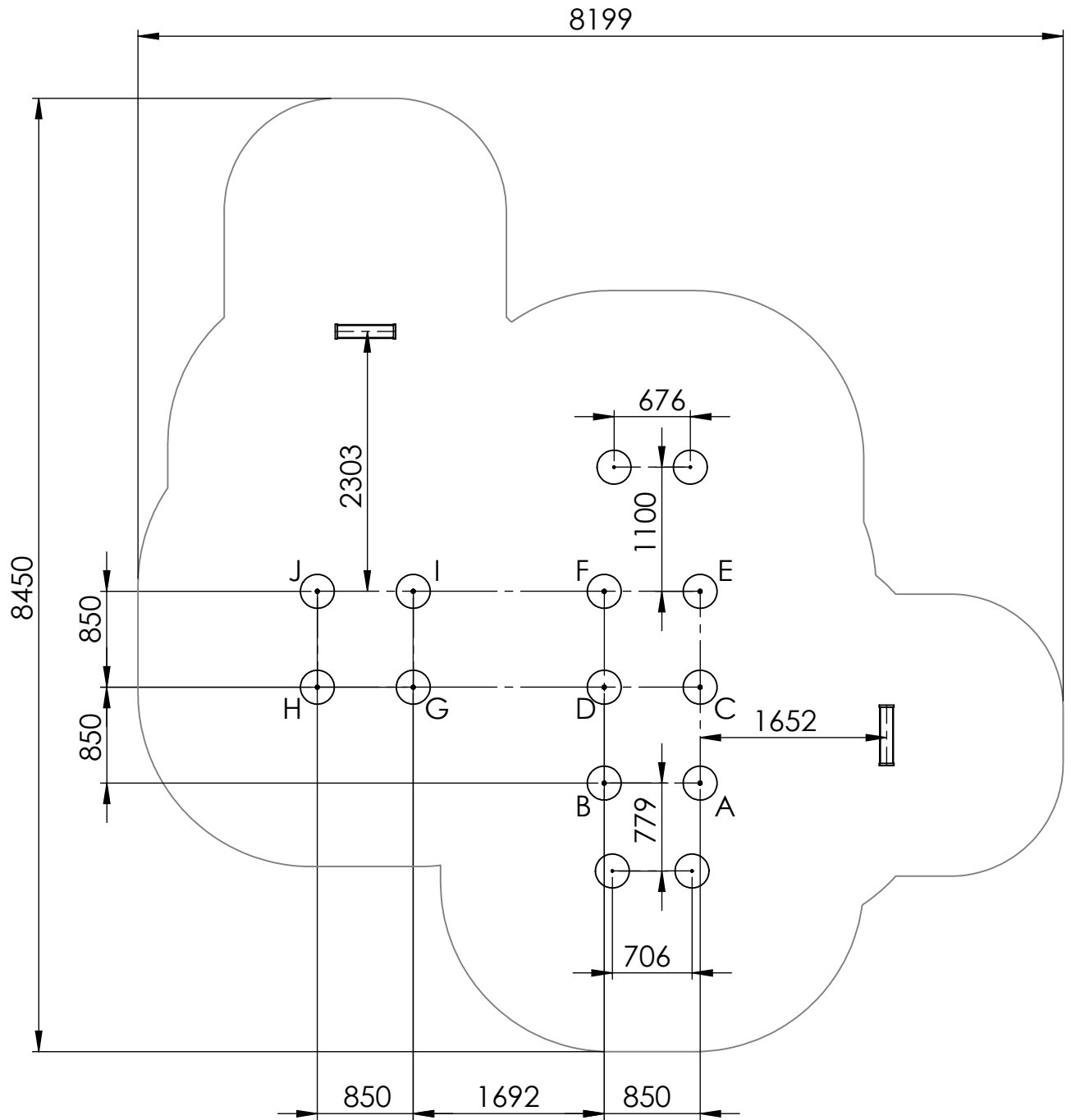
A

B

C

D

E



Depth of foundation: 600mm

UNLESS OTHERWISE SPECIFIED:
DIMENSIONS ARE IN MILLIMETERS
WEIGHT ARE IN KILOGRAMM

PART NUMBER / DWG NO.:

LM102

	NAME	SIGNATURE	DATE	REVISION
DRAWN	I.Agar		06.04.2021	
APPV'D				

DESCRIPTION:

Play centre Johanna



Tiptiptap OÜ

Tiptiptap OÜ
Veetorni 9,
Jüri alevik, Rae vald,
75301 Harjumaa

MATERIAL:

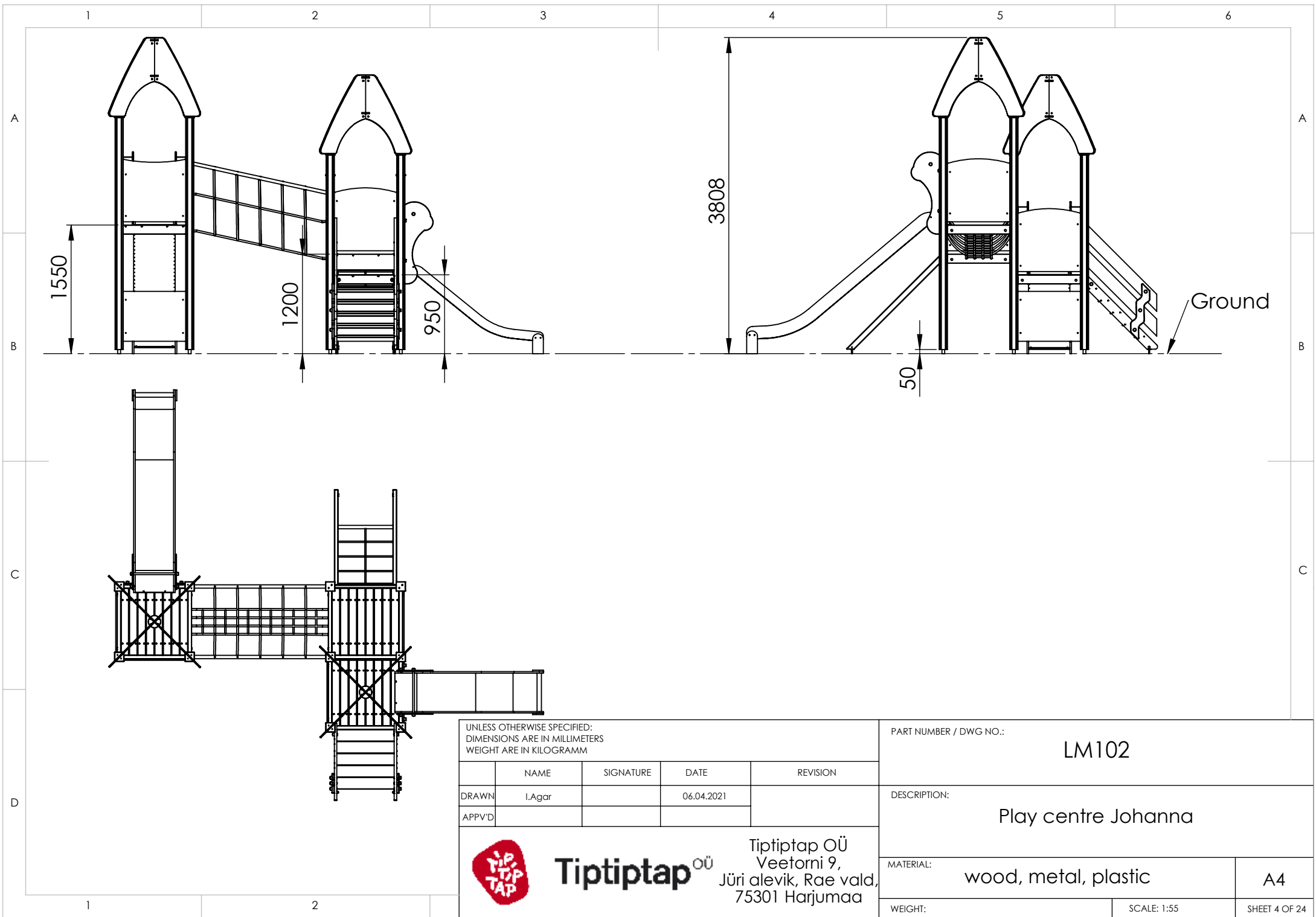
wood, metal, plastic

A4

WEIGHT:

SCALE: 1:55

SHEET 3 OF 24



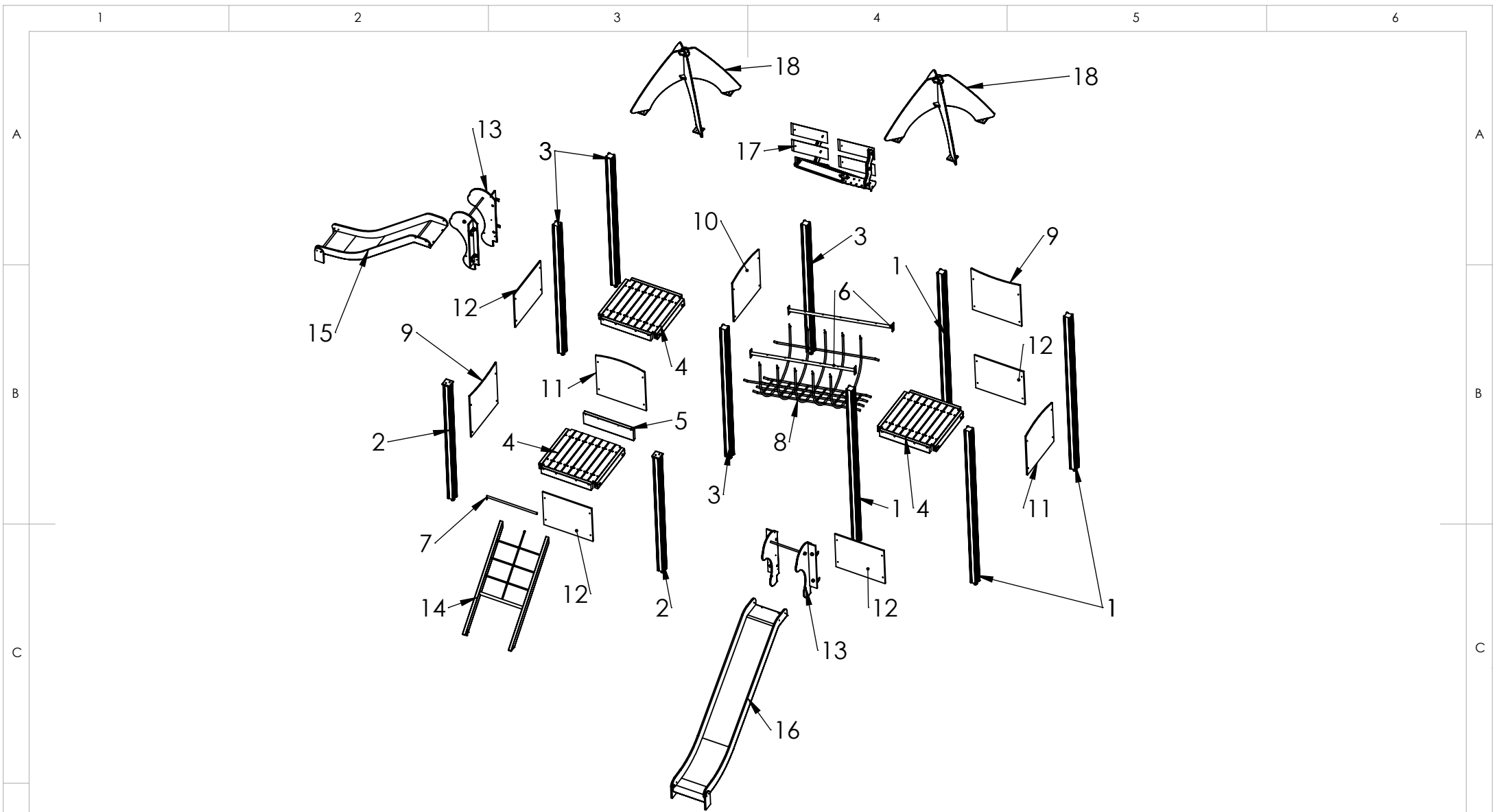
UNLESS OTHERWISE SPECIFIED:
 DIMENSIONS ARE IN MILLIMETERS
 WEIGHT ARE IN KILOGRAMM


	NAME	SIGNATURE	DATE	REVISION
DRAWN	I.Agar		06.04.2021	
APPV'D				




Tiptaptap OÜ
 Veetorni 9,
 Jüri alevik, Rae vald,
 75301 Harjumaa

PART NUMBER / DWG NO.:		LM102	
DESCRIPTION:		Play centre Johanna	
MATERIAL:	wood, metal, plastic	A4	
WEIGHT:		SCALE: 1:55	SHEET 4 OF 24



UNLESS OTHERWISE SPECIFIED: DIMENSIONS ARE IN MILLIMETERS WEIGHT ARE IN KILOGRAMM					PART NUMBER / DWG NO.: LM102	
	NAME	SIGNATURE	DATE	REVISION	DESCRIPTION: Play centre Johanna	
DRAWN	I.Agar		06.04.2021			
APPV'D						
 Tiptaptap OÜ Tiptaptap OÜ Veetorni 9, Jüri alevik, Rae vald, 75301 Harjumaa					MATERIAL:	wood, metal, plastic
					WEIGHT:	

	1	2	3	4	
	ITEM NO.	PART NUMBER	DESCRIPTION	QTY.	
A	1	post 98x98x2800	laminated wood	4	
	2	post 98x98x2100	laminated wood	2	
	3	post 98x98x2350	laminated wood	4	
	4	platform	laminated wood, metal	3	
B	5	LM102 board 45x195x764	laminated wood	1	
	6	LM102 inclined beam d.40x1650, 5 holes	painted steel	2	
	7	Tube D25x770	Painted steel	1	
C	8	LM102 rope bridge	PP covered steel wire	1	
	9	downward curved panel, lower hole 70mm	HDPE plastic	2	
	10	Upward curved panel, lower hole 70mm	HDPE plastic	1	
D	11	Upward curved panel, lower hole 100mm	HDPE plastic	2	
	12	rectangle panel, lower hole 100mm	HDPE plastic	4	
	13	slide guard block	HDPE plastic	2	
E	14	LM102 ramp with ropes	laminated wood, PP covered steel wire	1	
	15	slide h_950	Stainless steel, HDPE plastic	1	
	16	slide h_1550	stainless steel, HDPE plastic	1	
	17	stairs	laminated wood	1	
	18	Roof	HDPE plastic	2	
F	UNLESS OTHERWISE SPECIFIED: DIMENSIONS ARE IN MILLIMETERS WEIGHT ARE IN KILOGRAMM			PART NUMBER / DWG NO.:	
				LM102	
		NAME	SIGNATURE	DATE	REVISION
	DRAWN	I. Agar		06.04.2021	
	APPV'D				
				DESCRIPTION:	
			Play centre Johanna		
			MATERIAL:	A4	
			wood, metal, plastic		
			WEIGHT:	SCALE: 1:70	
				SHEET 6 OF 24	
 Tiptiptap OÜ Veetorni 9, Jüri alevik, Rae vald, 75301 Harjumaa					

A

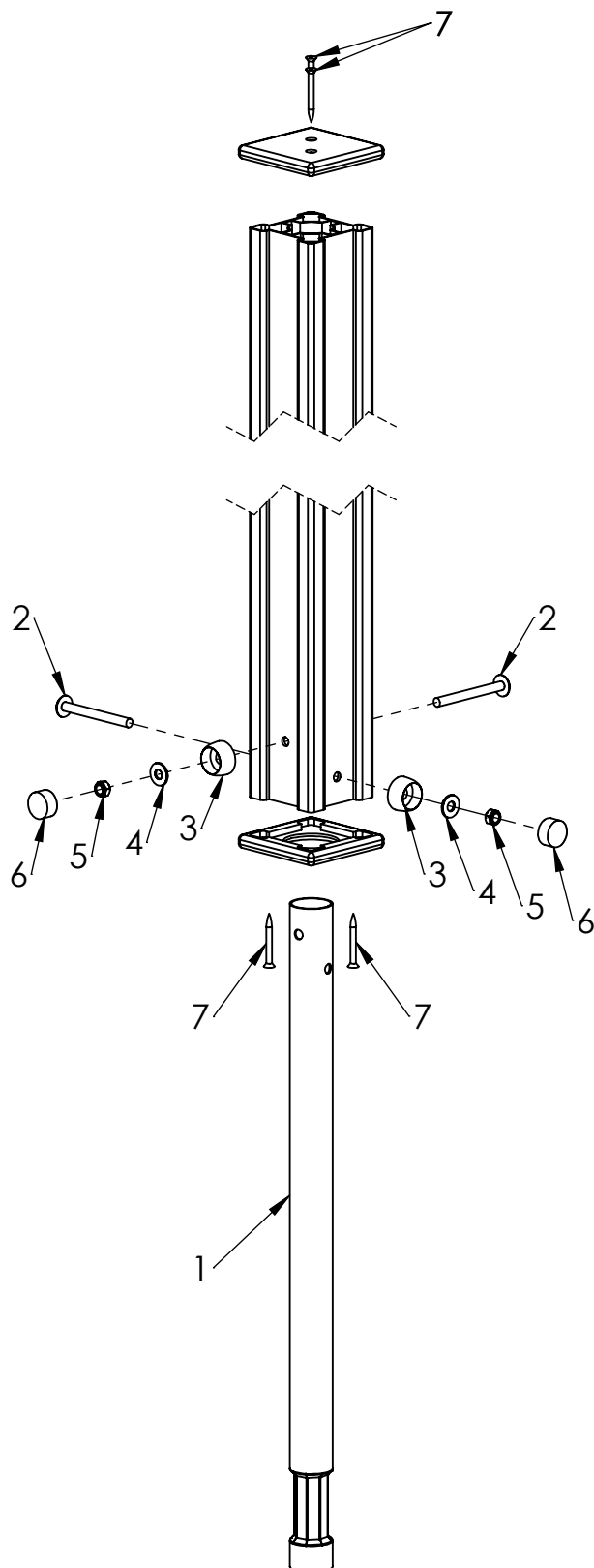
B

C

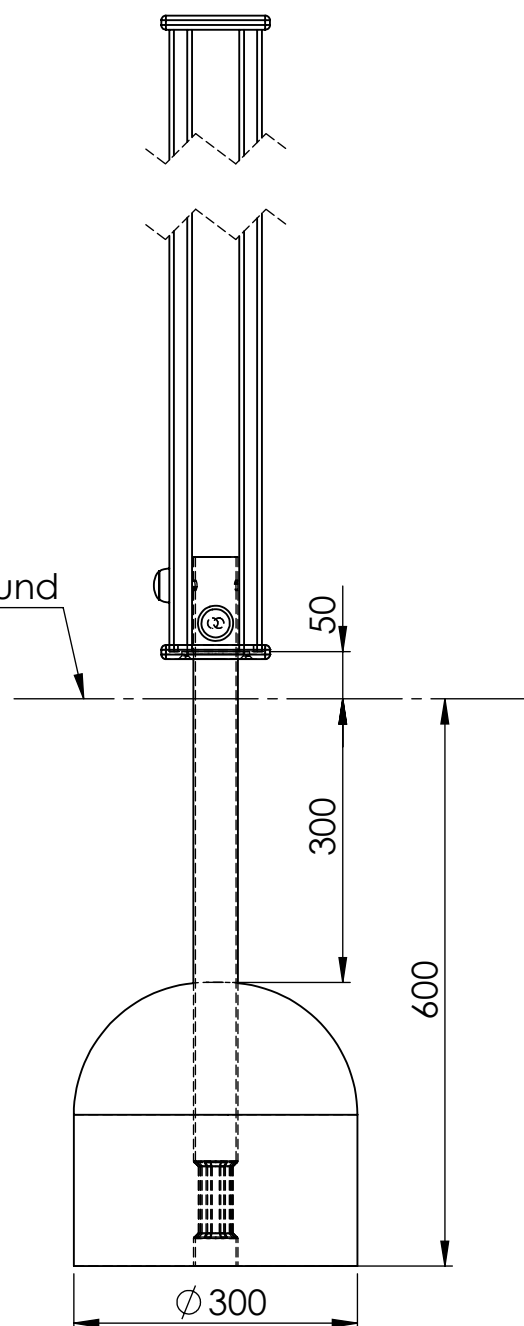
D

E

F



Ground



ITEM NO.	PART NUMBER
1	metal ground fixing L_750
2	bolt DIN603 M10x100
3	nut cover M12
4	Washer M10 DIN9054
5	nut DIN985 M10
6	nut cover cap M12
7	woodscrew 6x60

UNLESS OTHERWISE SPECIFIED:
DIMENSIONS ARE IN MILLIMETERS
WEIGHT ARE IN KILOGRAMM

PART NUMBER / DWG NO.:

LM102

	NAME	SIGNATURE	DATE	REVISION
DRAWN	I.Agar		06.04.2021	
APPV'D				

DESCRIPTION:

Play centre Johanna

connecting metal ground fixing to aluminium post

MATERIAL:

wood, metal, plastic

A4

WEIGHT:

SCALE: 1:8

SHEET 7 OF 24



Tiptiptap OÜ

Tiptiptap OÜ
Veetorni 9,
Jüri alevik, Rae vald,
75301 Harjumaa

A

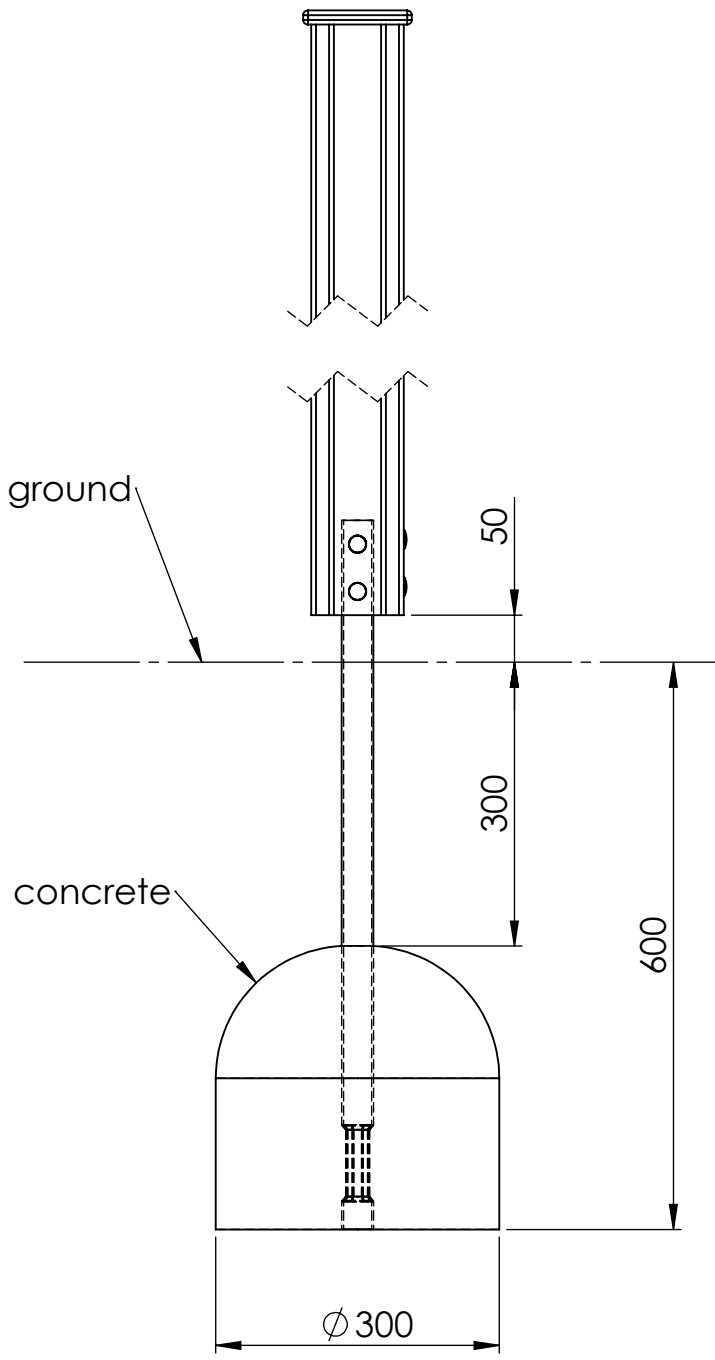
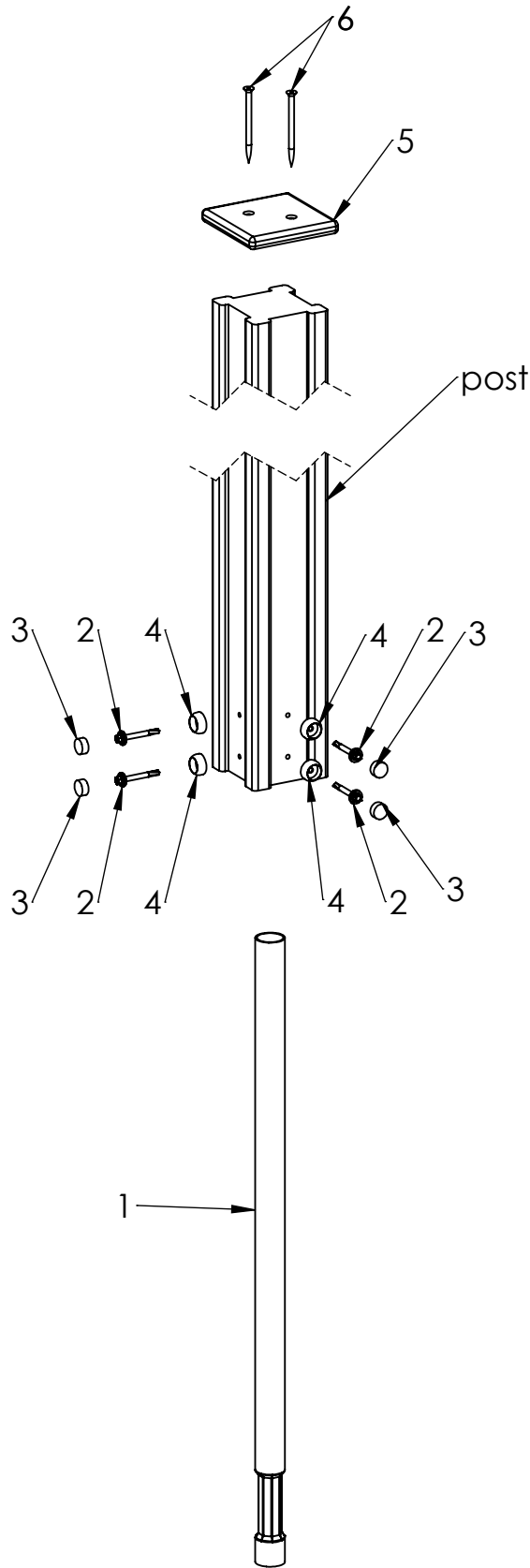
B

C

D

E

F



ITEM NO.	PART NUMBER
1	metal ground fixing L_750
2	screw DIN7504K 5,5x50
3	nut cover cap M6
4	nut cover M6
5	plastic cap 115x115
6	woodscrew 6 x 90

UNLESS OTHERWISE SPECIFIED: DIMENSIONS ARE IN MILLIMETERS WEIGHT ARE IN KILOGRAMM				
	NAME	SIGNATURE	DATE	REVISION
DRAWN	I.Agar		06.04.2021	
APPV'D				

PART NUMBER / DWG NO.:
LM102

DESCRIPTION:
**Play centre Johanna
connecting metal ground fixing to post**

Tiptiptap OÜ
Veetorni 9,
Jüri alevik, Rae vald,
75301 Harjumaa

MATERIAL:	wood, metal, plastic	A4
WEIGHT:	SCALE: 1:8	SHEET 8 OF 24

A

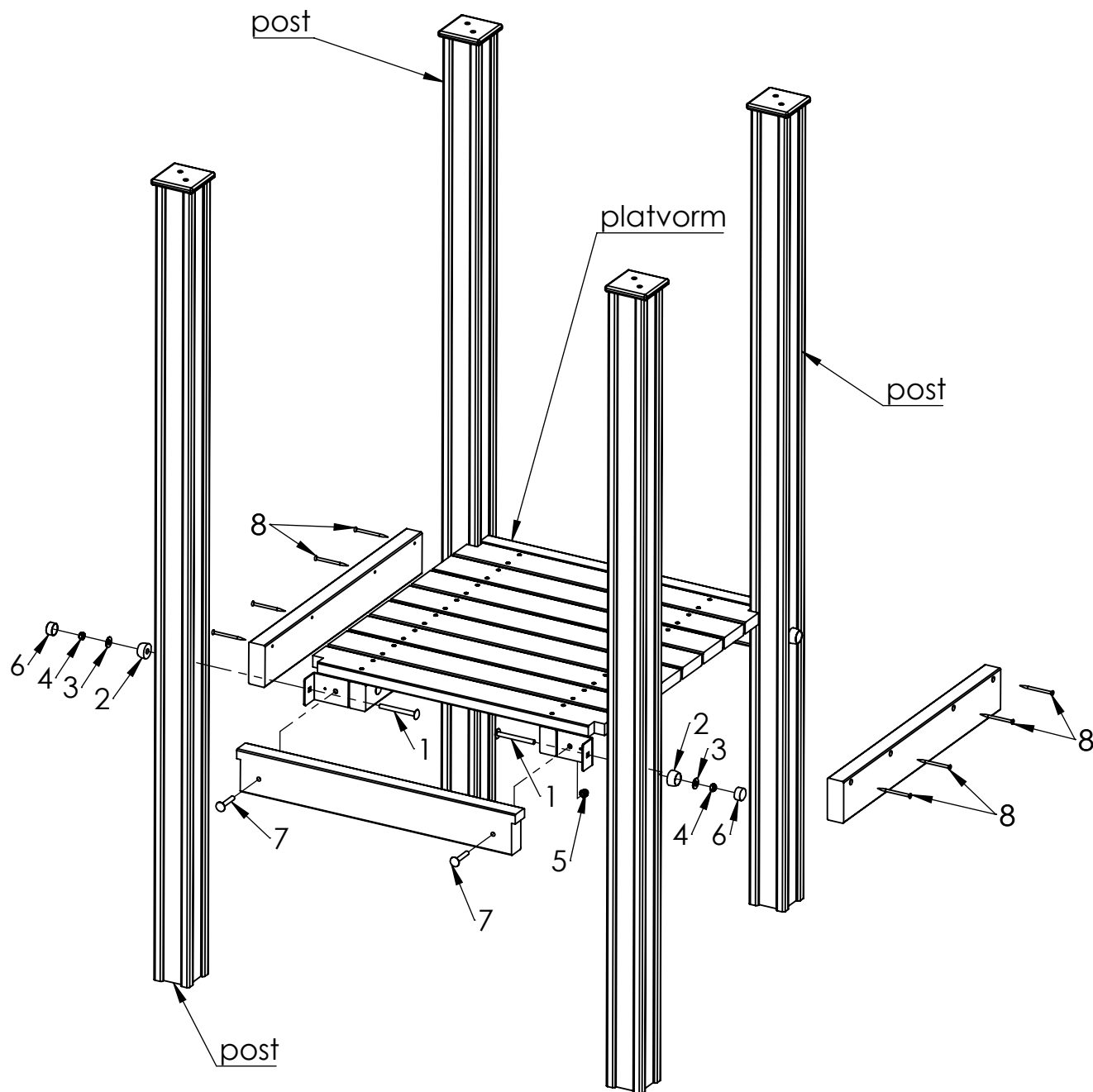
B

C

D

E

F



ITEM NO.	PART NUMBER
1	bolt DIN603 M10x100
2	nut cover M12
3	Washer M10 DIN9054
4	nut DIN985 M10
5	domed cap nut DIN986 M10
6	nut cover cap M12
7	bolt DIN603 M10x60
8	Woodscrew 6 x 90

UNLESS OTHERWISE SPECIFIED:
DIMENSIONS ARE IN MILLIMETERS
WEIGHT ARE IN KILOGRAMM

PART NUMBER / DWG NO.:

LM102

	NAME	SIGNATURE	DATE	REVISION
DRAWN	I.Agar		06.04.2021	
APPV'D				

DESCRIPTION:

Play centre Johanna
connecting platform to post

MATERIAL:

wood, metal, plastic

A4

WEIGHT:

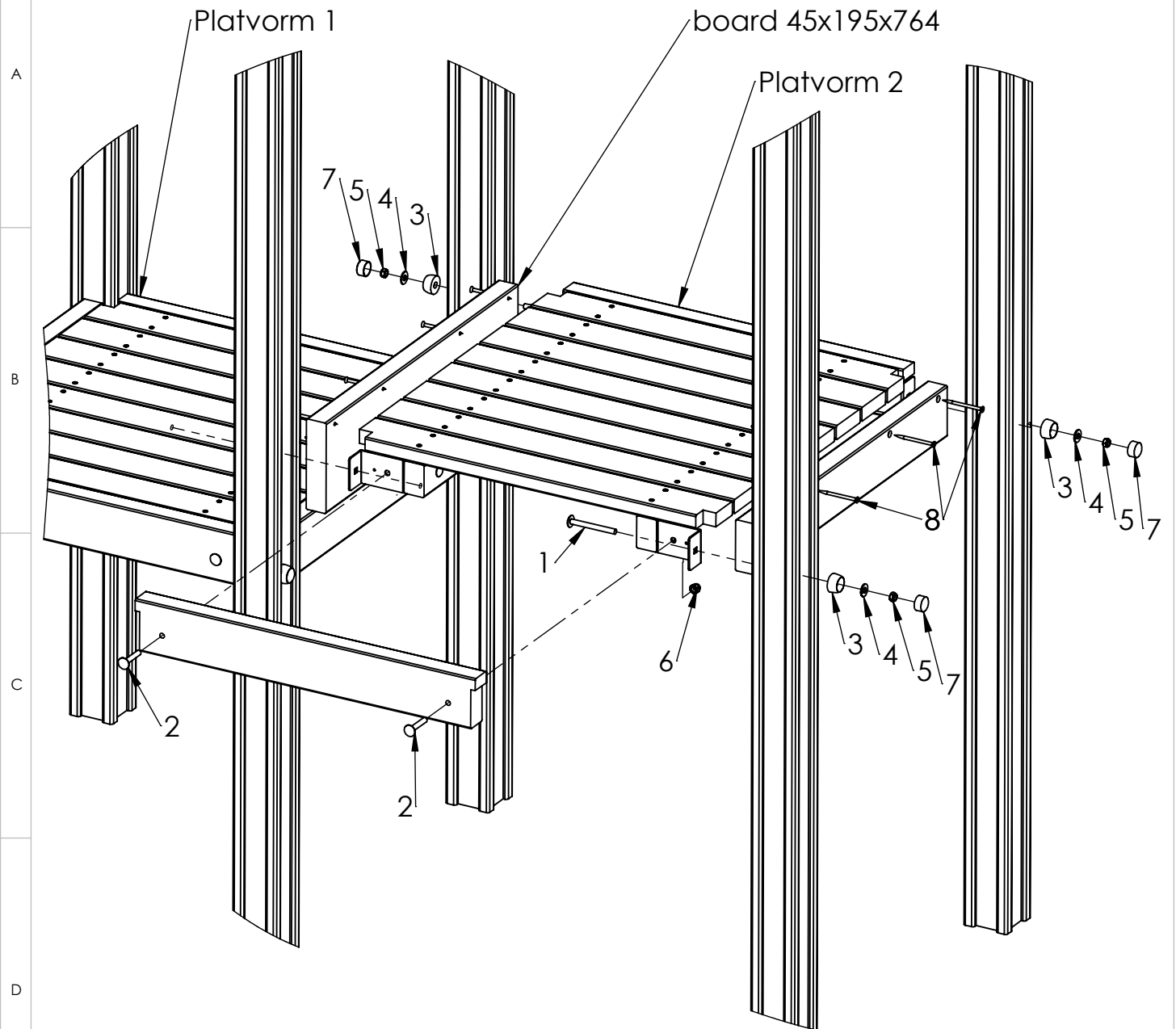
SCALE: 1:15

SHEET 9 OF 24



Tiptiptap OÜ

Tiptiptap OÜ
Veetorni 9,
Jüri alevik, Rae vald,
75301 Harjumaa



ITEM NO.	PART NUMBER
1	bolt DIN603 M10x100
2	bolt DIN603 M10x60
3	nut cover M12
4	Washer M10 DIN9054
5	nut DIN985 M10
6	domed cap nut DIN986 M10
7	nut cover cap M12
8	Woodscrew 6 x 90

UNLESS OTHERWISE SPECIFIED:
DIMENSIONS ARE IN MILLIMETERS
WEIGHT ARE IN KILOGRAMM

PART NUMBER / DWG NO.:

LM102

	NAME	SIGNATURE	DATE	REVISION
DRAWN	I.Agar		06.04.2021	
APPV'D				

DESCRIPTION:

Play centre Johanna
connecting platform to post

MATERIAL:

wood, metal, plastic

A4

WEIGHT:

SCALE: 1:12

SHEET 10 OF 24



Tiptiptap OÜ

Tiptiptap OÜ
Veetorni 9,
Jüri alevik, Rae vald,
75301 Harjumaa

A

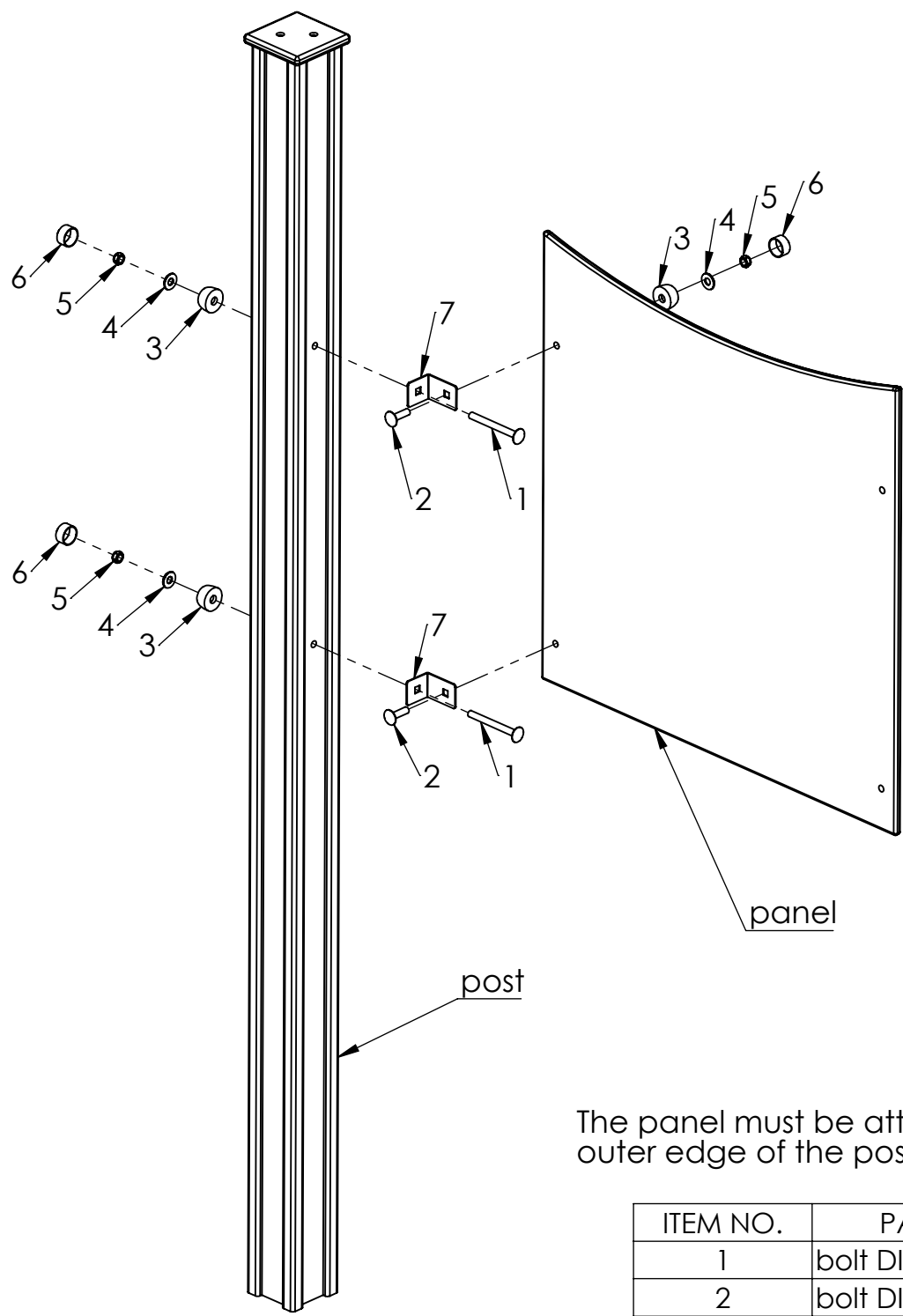
B

C

D

E

F



The panel must be attached to the outer edge of the post !!!

ITEM NO.	PART NUMBER
1	bolt DIN603 M10x100
2	bolt DIN603 M10x35
3	nut cover M12
4	Washer M10 DIN9054
5	nut DIN985 M10
6	nut cover cap M12
7	Corner 90° (45x60)

UNLESS OTHERWISE SPECIFIED:
DIMENSIONS ARE IN MILLIMETERS
WEIGHT ARE IN KILOGRAMM

PART NUMBER / DWG NO.:
LM102

	NAME	SIGNATURE	DATE	REVISION
DRAWN	I.Agar		06.04.2021	
APPV'D				

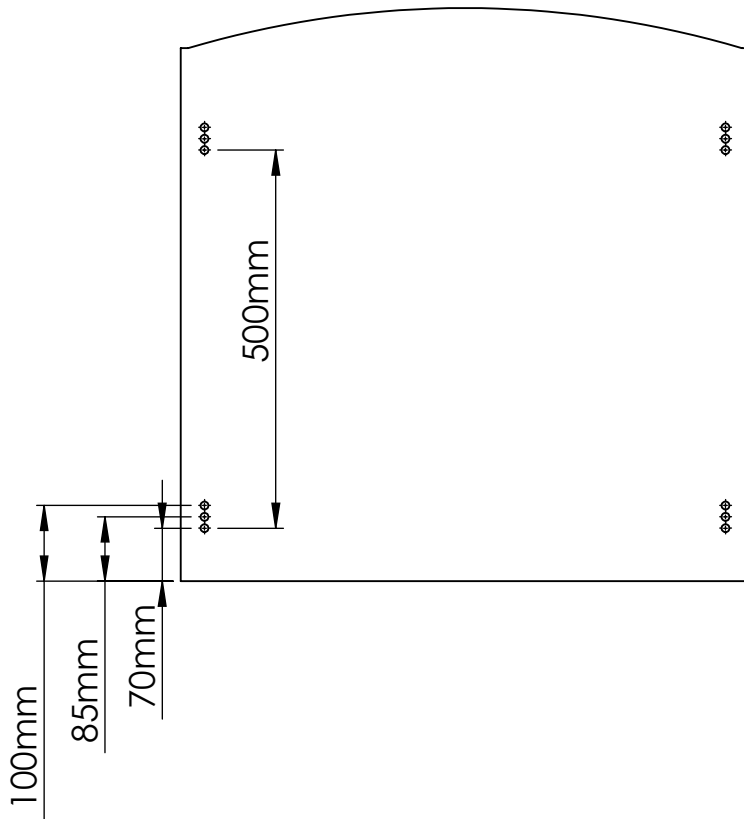
DESCRIPTION:
**Play centre Johanna
connecting panel to post**



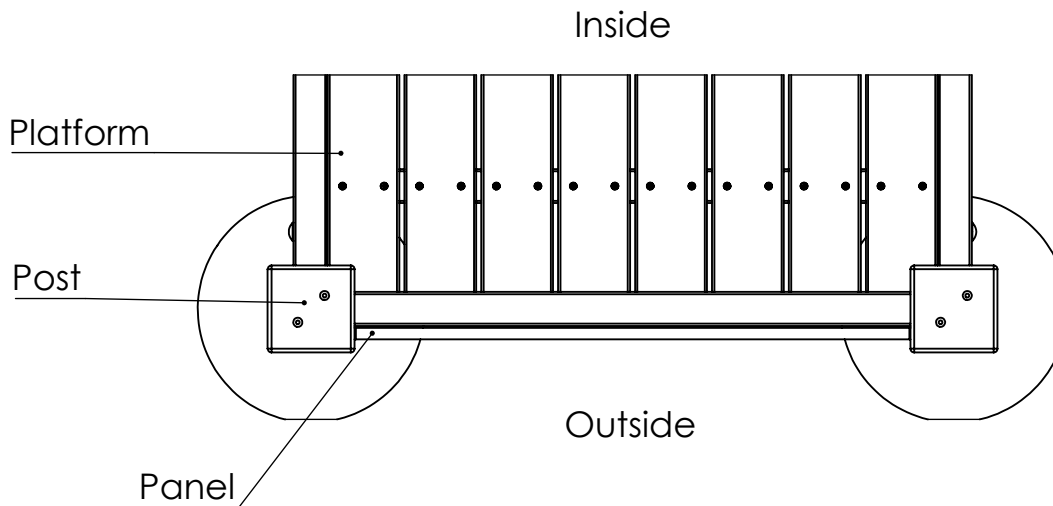
Tiptaptap OÜ
Veetorni 9,
Jüri alevik, Rae vald,
75301 Harjumaa

MATERIAL:	wood, metal, plastic	A4
WEIGHT:	SCALE: 1:10	SHEET 11 OF 24

Explanation of the 'lower hole' behind the panel name:



The panel must be installed on the post as shown in the picture!



UNLESS OTHERWISE SPECIFIED:
DIMENSIONS ARE IN MILLIMETERS
WEIGHT ARE IN KILOGRAMM

PART NUMBER / DWG NO.:

LM102

	NAME	SIGNATURE	DATE	REVISION
DRAWN	I.Agar		06.04.2021	
APPV'D				

DESCRIPTION:

Play centre Johanna
connecting panel to post



Tiptiptap OÜ

Tiptiptap OÜ
Veetorni 9,
Jüri alevik, Rae vald,
75301 Harjumaa

MATERIAL:

wood, metal, plastic

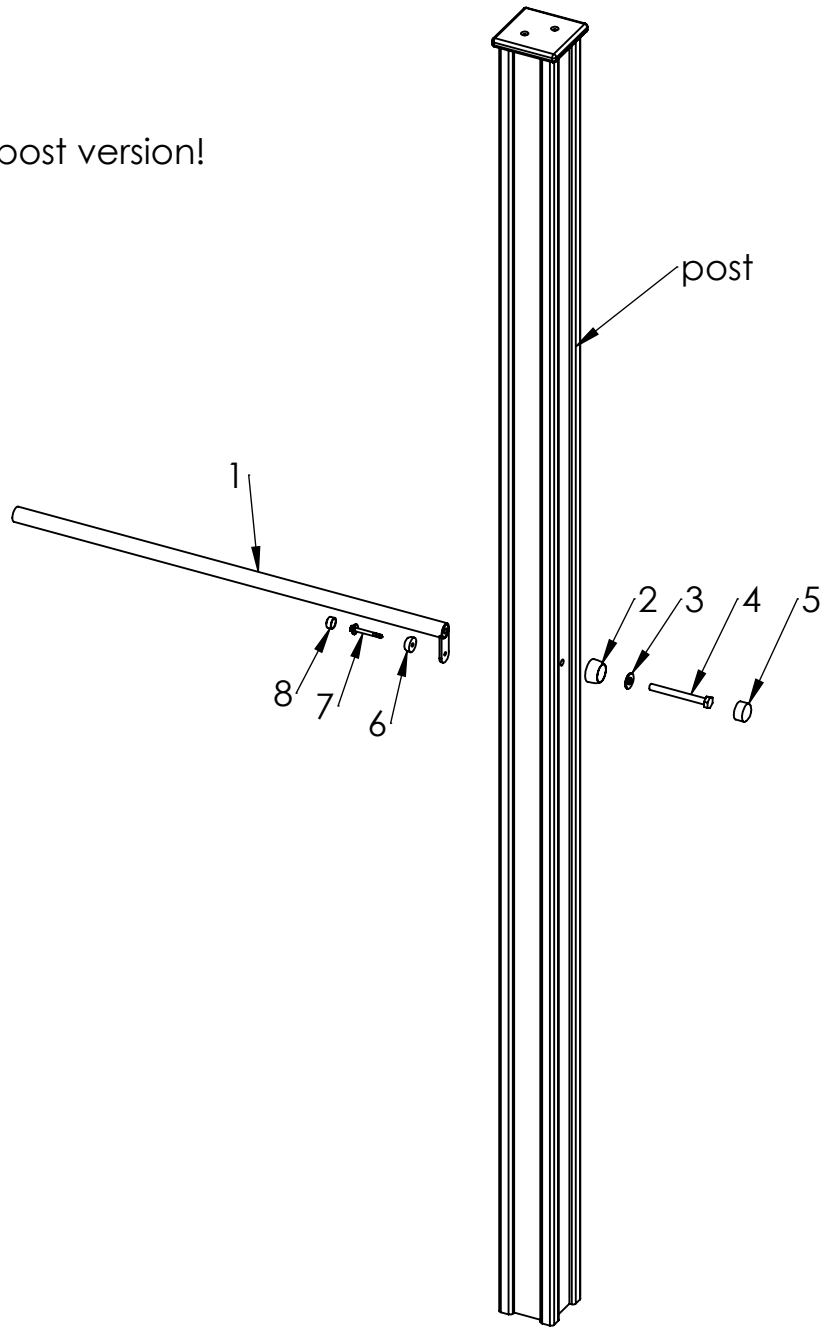
A4

WEIGHT:

SCALE: 1:10

SHEET 12 OF 24

Aluminium post version!



ITEM NO.	PART NUMBER
1	guardrail ϕ 25x770
2	nut cover M12
3	Washer M10 DIN9054
4	bolt DIN931 M10x100
5	nut cover cap M12
6	nut cover M6
7	screw DIN7504K 5,5x50
8	nut cover cap M6

UNLESS OTHERWISE SPECIFIED:
DIMENSIONS ARE IN MILLIMETERS
WEIGHT ARE IN KILOGRAMM

PART NUMBER / DWG NO.:

LM102

	NAME	SIGNATURE	DATE	REVISION
DRAWN	I.Agar			
APPV'D				

DESCRIPTION:

Play centre Johanna
connecting guardrail to post

MATERIAL:

wood, metal, plastic

A4

WEIGHT:

SCALE: 1:12

SHEET 13 OF 24



Tiptiptap OÜ

Tiptiptap OÜ
Veetorni 9,
Jüri alevik, Rae vald,
75301 Harjumaa

A

Wood post version!

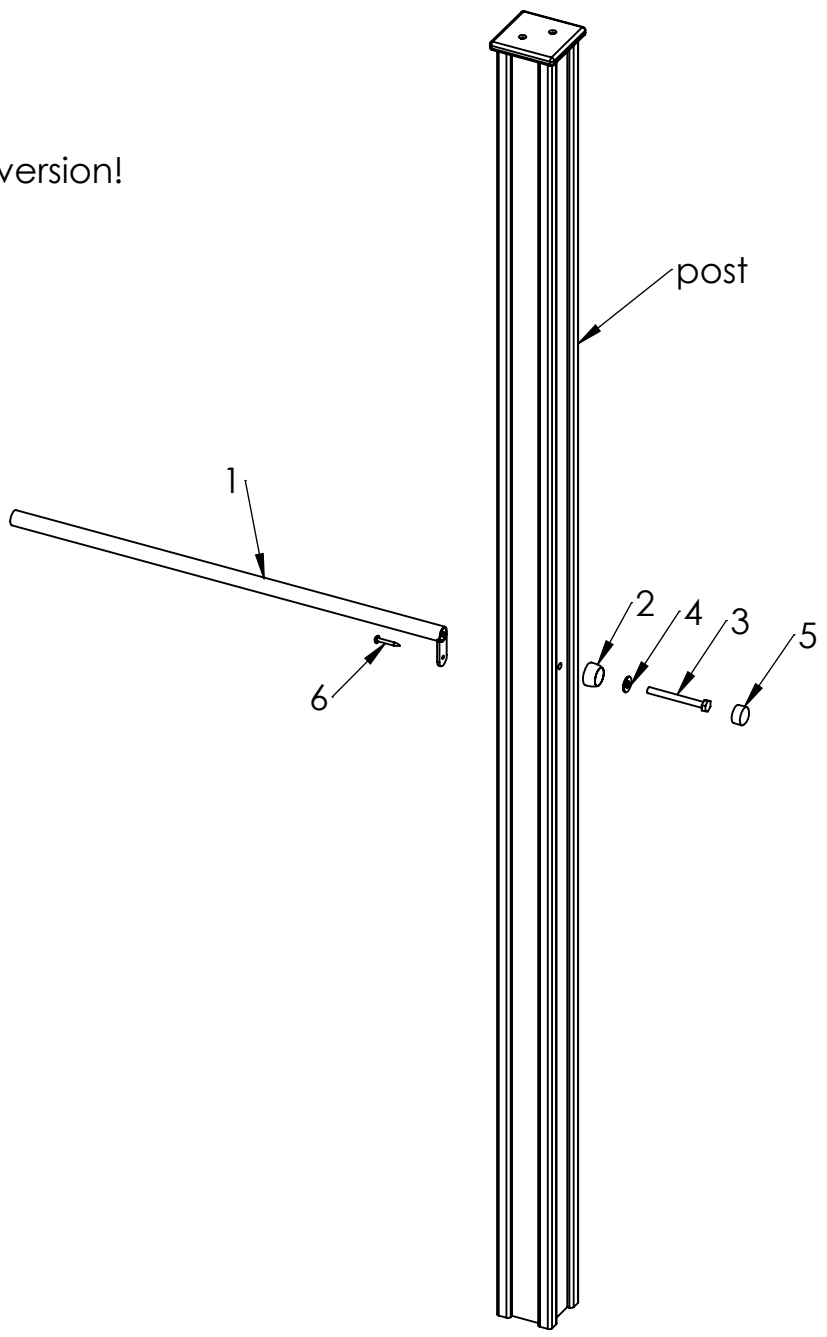
B

C

D

E

F



ITEM NO.	PART NUMBER
1	guardrail ϕ 25x770
2	nut cover M12
3	bolt DIN931 M10x100
4	Washer M10 DIN9054
5	nut cover cap M12
6	screw 5x40

UNLESS OTHERWISE SPECIFIED:
 DIMENSIONS ARE IN MILLIMETERS
 WEIGHT ARE IN KILOGRAMM

	NAME	SIGNATURE	DATE	REVISION
DRAWN	I.Agar			
APPV'D				

PART NUMBER / DWG NO.:
LM102

DESCRIPTION:
 Play centre Johanna
 connecting guardrail to post



Tiptiptap OÜ
 Veetorni 9,
 Jüri alevik, Rae vald,
 75301 Harjumaa

MATERIAL:	wood, metal, plastic	A4
WEIGHT:		SCALE: 1:12
		SHEET 14 OF 24

A

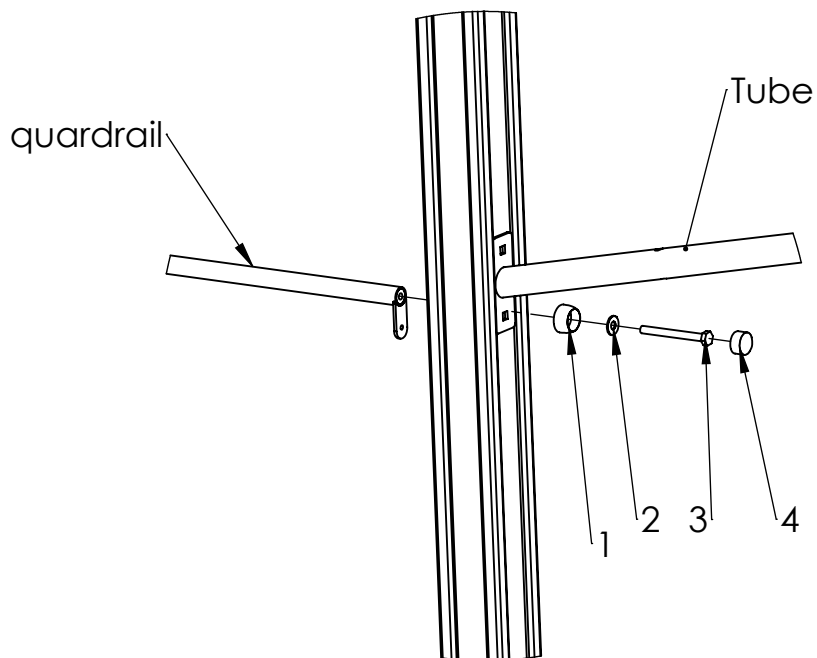
B

C

D

E

F



ITEM NO.	PART NUMBER
1	nut cover M12
2	Washer M10 DIN9054
3	bolt DIN931 M10x100
4	nut cover cap M12

UNLESS OTHERWISE SPECIFIED:
DIMENSIONS ARE IN MILLIMETERS
WEIGHT ARE IN KILOGRAMM

PART NUMBER / DWG NO.:

LM102

	NAME	SIGNATURE	DATE	REVISION
DRAWN	I.Agar		06.04.2021	
APPV'D				

DESCRIPTION:

Play centre Johanna

MATERIAL:

wood, metal, plastic

A4

WEIGHT:

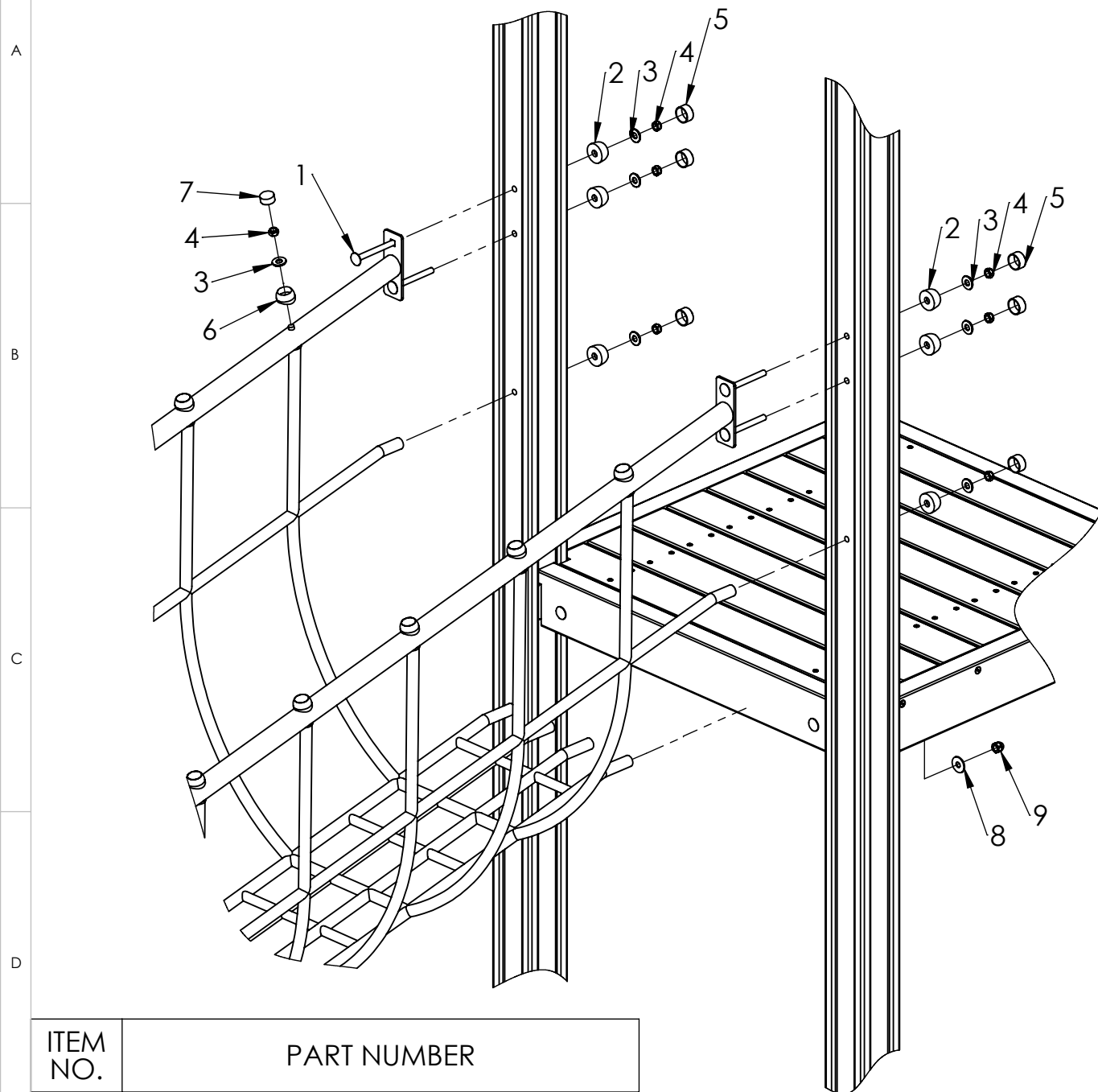
SCALE: 1:10

SHEET 15 OF 24



Tiptiptap OÜ

Tiptiptap OÜ
Veetorni 9,
Jüri alevik, Rae vald,
75301 Harjumaa



ITEM NO.	PART NUMBER
1	bolt DIN603 M10x100
2	nut cover M12
3	Washer M10 DIN9054
4	nut DIN985 M10
5	nut cover cap M12
6	nut cover for beam M10
7	nut cover cap M10
8	washer M10 DIN9021
9	domed cap nut DIN986 M10

UNLESS OTHERWISE SPECIFIED:
DIMENSIONS ARE IN MILLIMETERS
WEIGHT ARE IN KILOGRAMM

	NAME	SIGNATURE	DATE	REVISION
DRAWN	I. Agar		06.04.2021	
APPV'D				

PART NUMBER / DWG NO.:

LM102

DESCRIPTION:

Play centre Johanna
connecting bridge to post and platform

MATERIAL:

wood, metal, plastic

A4

WEIGHT:

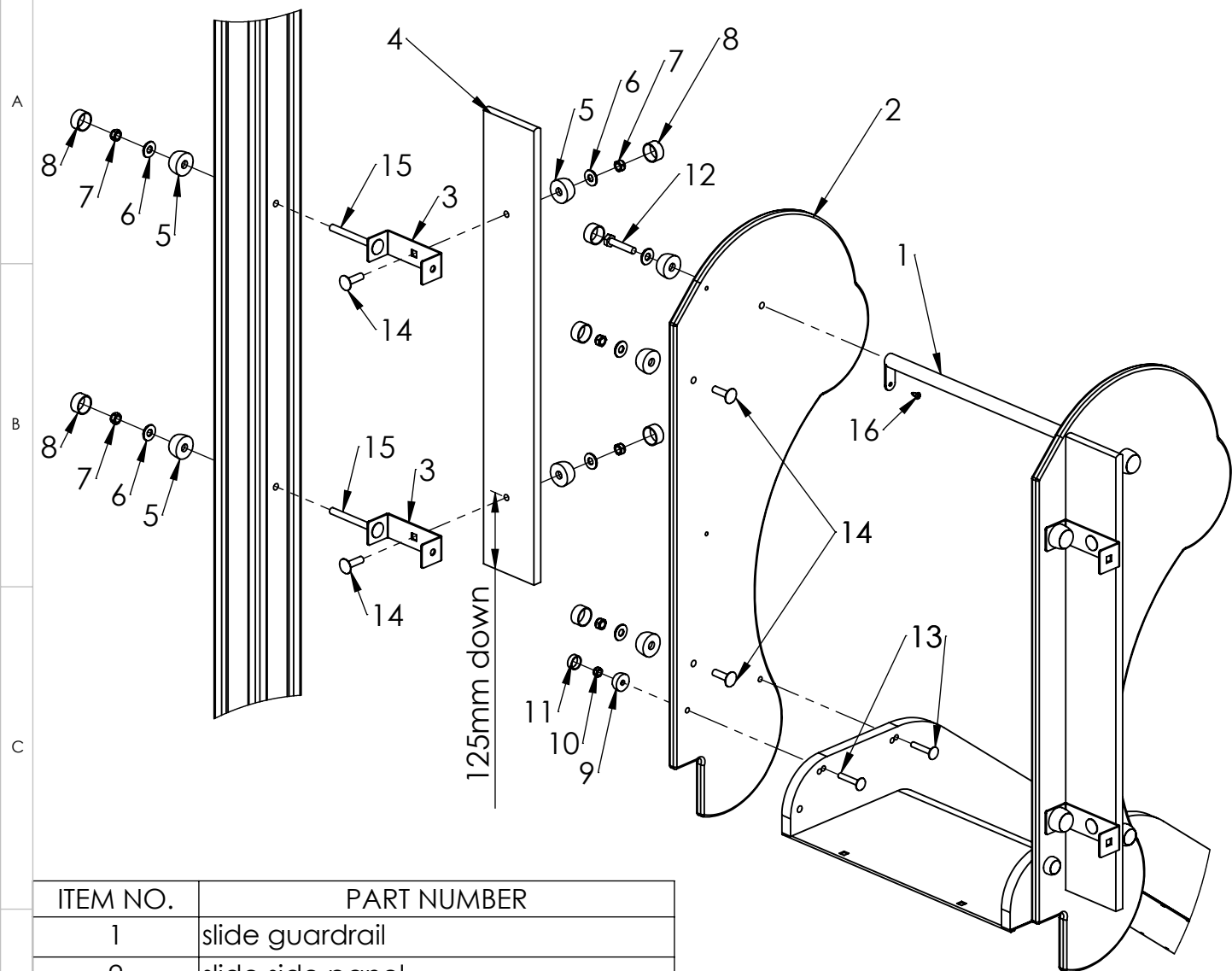
SCALE: 1:11

SHEET 16 OF 24



Tiptiptap OÜ

Tiptiptap OÜ
Veetorni 9,
Jüri alevik, Rae vald,
75301 Harjumaa



ITEM NO.	PART NUMBER
1	slide guardrail
2	slide side panel
3	slide side panel fixing (45x123x45)
4	side panel 111x770mm
5	nut cover M12
6	Washer M10 DIN9054
7	nut DIN985 M10
8	nut cover cap M12
9	nut cover M8
10	nut DIN985 M8
11	nut cover cap M8
12	bolt DIN931 M10x50
13	bolt DIN603 M8x45
14	bolt DIN603 M10x35
15	bolt DIN603 M10x100
16	wood screw 4,8x13

UNLESS OTHERWISE SPECIFIED:
DIMENSIONS ARE IN MILLIMETERS
WEIGHT ARE IN KILOGRAMM

PART NUMBER / DWG NO.:

LM102

	NAME	SIGNATURE	DATE	REVISION
DRAWN	I.Agar		06.04.2021	
APPV'D				

DESCRIPTION:

Play centre Johanna
Connecting slide guard block to post

MATERIAL:

wood, metal, plastic

A4

WEIGHT:

SCALE: 1:10

SHEET 17 OF 24



Tiptiptap OÜ

Tiptiptap OÜ
Veetorni 9,
Jüri alevik, Rae vald,
75301 Harjumaa

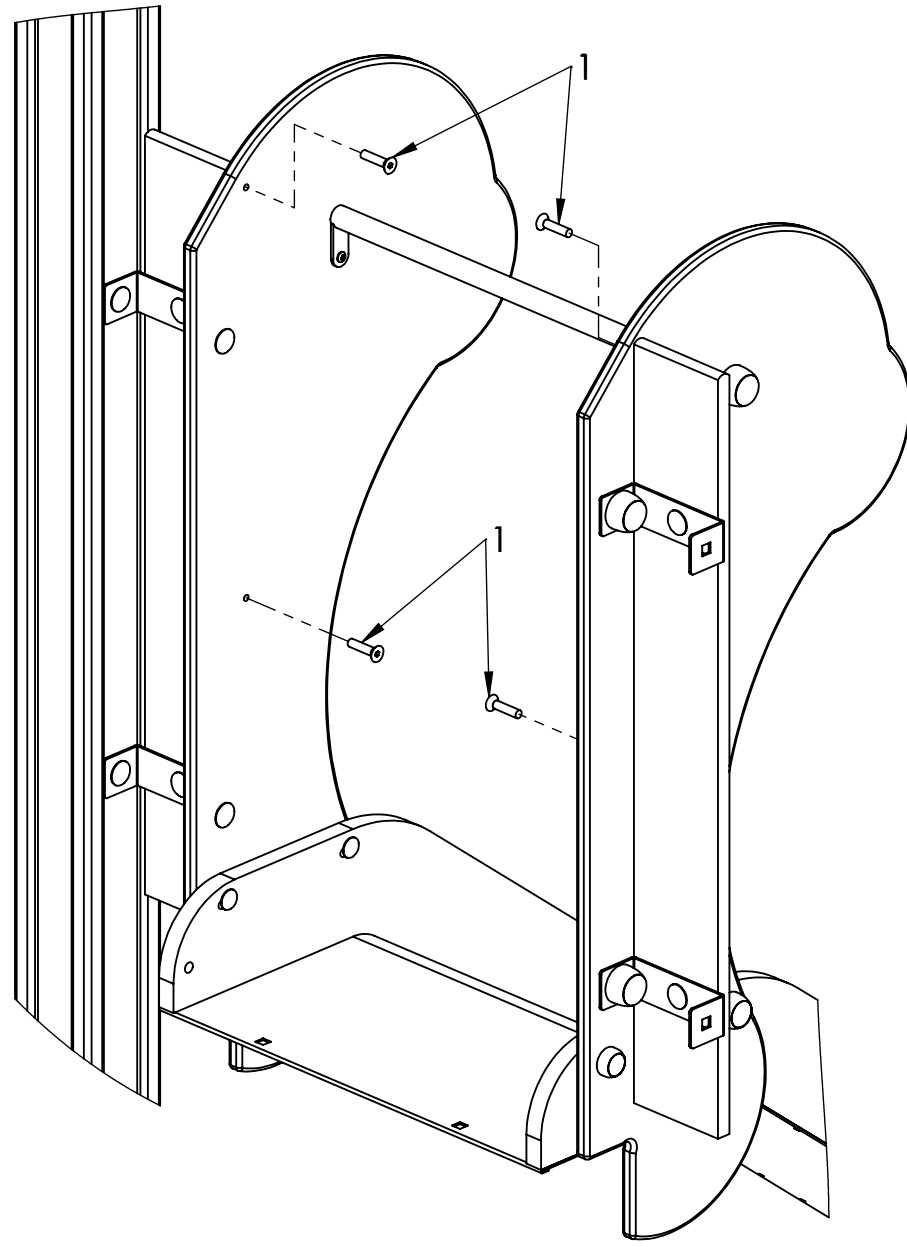
A

B

C

D

E



ITEM NO.	PART NUMBER
1	M6x35 DIN7991

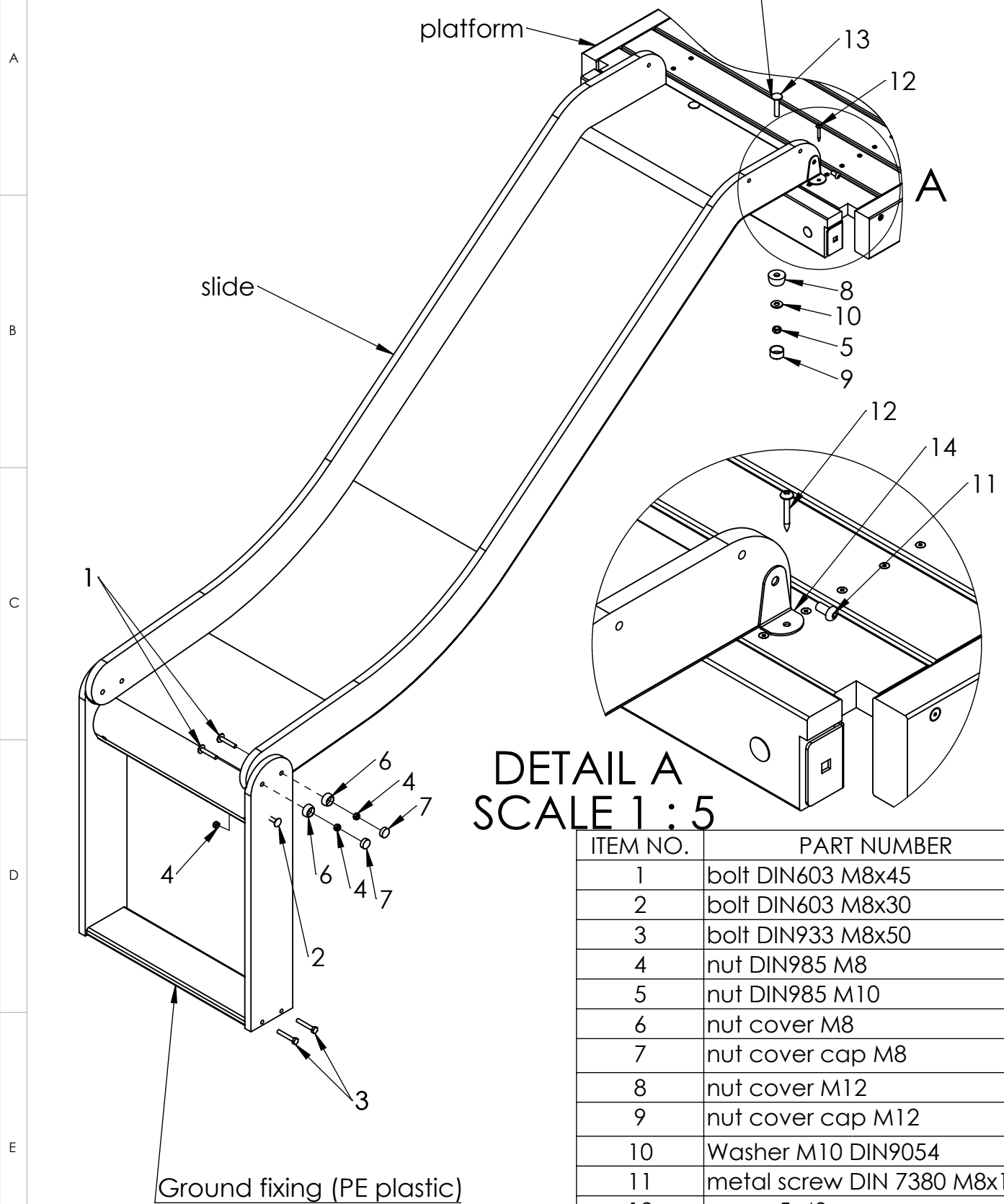
UNLESS OTHERWISE SPECIFIED: DIMENSIONS ARE IN MILLIMETERS WEIGHT ARE IN KILOGRAMM				
	NAME	SIGNATURE	DATE	REVISION
DRAWN	I.Agar		06.04.2021	
APPV'D				

PART NUMBER / DWG NO.:	LM102
DESCRIPTION:	Play centre Johanna Connecting slide guard block to post


Tiptiptap OÜ
 Veetorni 9,
 Jüri alevik, Rae vald,
 75301 Harjumaa

MATERIAL:	wood, metal, plastic	A4
WEIGHT:	SCALE: 1:7	SHEET 18 OF 24

In the case of a plastic slide, this bolt is M10x60 DIN603



DETAIL A
SCALE 1 : 5

ITEM NO.	PART NUMBER
1	bolt DIN603 M8x45
2	bolt DIN603 M8x30
3	bolt DIN933 M8x50
4	nut DIN985 M8
5	nut DIN985 M10
6	nut cover M8
7	nut cover cap M8
8	nut cover M12
9	nut cover cap M12
10	Washer M10 DIN9054
11	metal screw DIN 7380 M8x16
12	screw 5x40
13	bolt DIN603 M10x50
14	corner 58x30

UNLESS OTHERWISE SPECIFIED:
DIMENSIONS ARE IN MILLIMETERS
WEIGHT ARE IN KILOGRAMM

PART NUMBER / DWG NO.:

LM102

	NAME	SIGNATURE	DATE	REVISION
DRAWN	I.Agar		06.04.2021	
APPV'D				

DESCRIPTION:

Play centre Johanna
connecting slide to platform



Tiptiptap OÜ

Tiptiptap OÜ
Veetorni 9,
Jüri alevik, Rae vald,
75301 Harjumaa

MATERIAL:

wood, metal, plastic

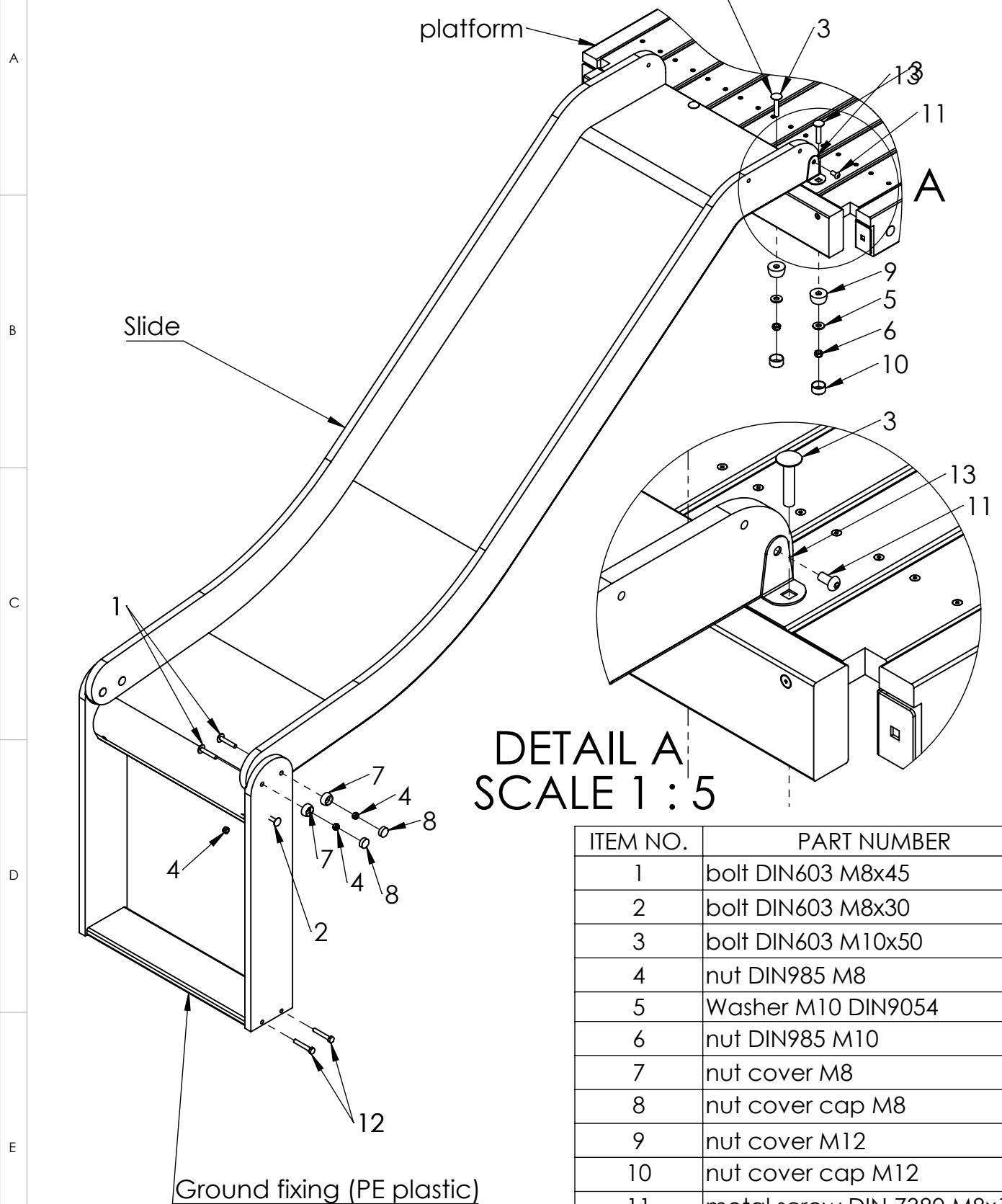
A4

WEIGHT:

SCALE: 1:12

SHEET 19 OF 24

In the case of a plastic slide, this bolt is M10x60 DIN603



DETAIL A
SCALE 1 : 5

ITEM NO.	PART NUMBER
1	bolt DIN603 M8x45
2	bolt DIN603 M8x30
3	bolt DIN603 M10x50
4	nut DIN985 M8
5	Washer M10 DIN9054
6	nut DIN985 M10
7	nut cover M8
8	nut cover cap M8
9	nut cover M12
10	nut cover cap M12
11	metal screw DIN 7380 M8x16
12	bolt DIN933 M8x50
13	metal corner for slide

UNLESS OTHERWISE SPECIFIED:
DIMENSIONS ARE IN MILLIMETERS
WEIGHT ARE IN KILOGRAMM

PART NUMBER / DWG NO.:

LM102

	NAME	SIGNATURE	DATE	REVISION
DRAWN	I.Agar		06.04.2021	
APPV'D				

DESCRIPTION:

Play centre Johanna
connecting slide to platform



Tiptiptap OÜ

Tiptiptap OÜ
Veetorni 9,
Jüri alevik, Rae vald,
75301 Harjumaa

MATERIAL:

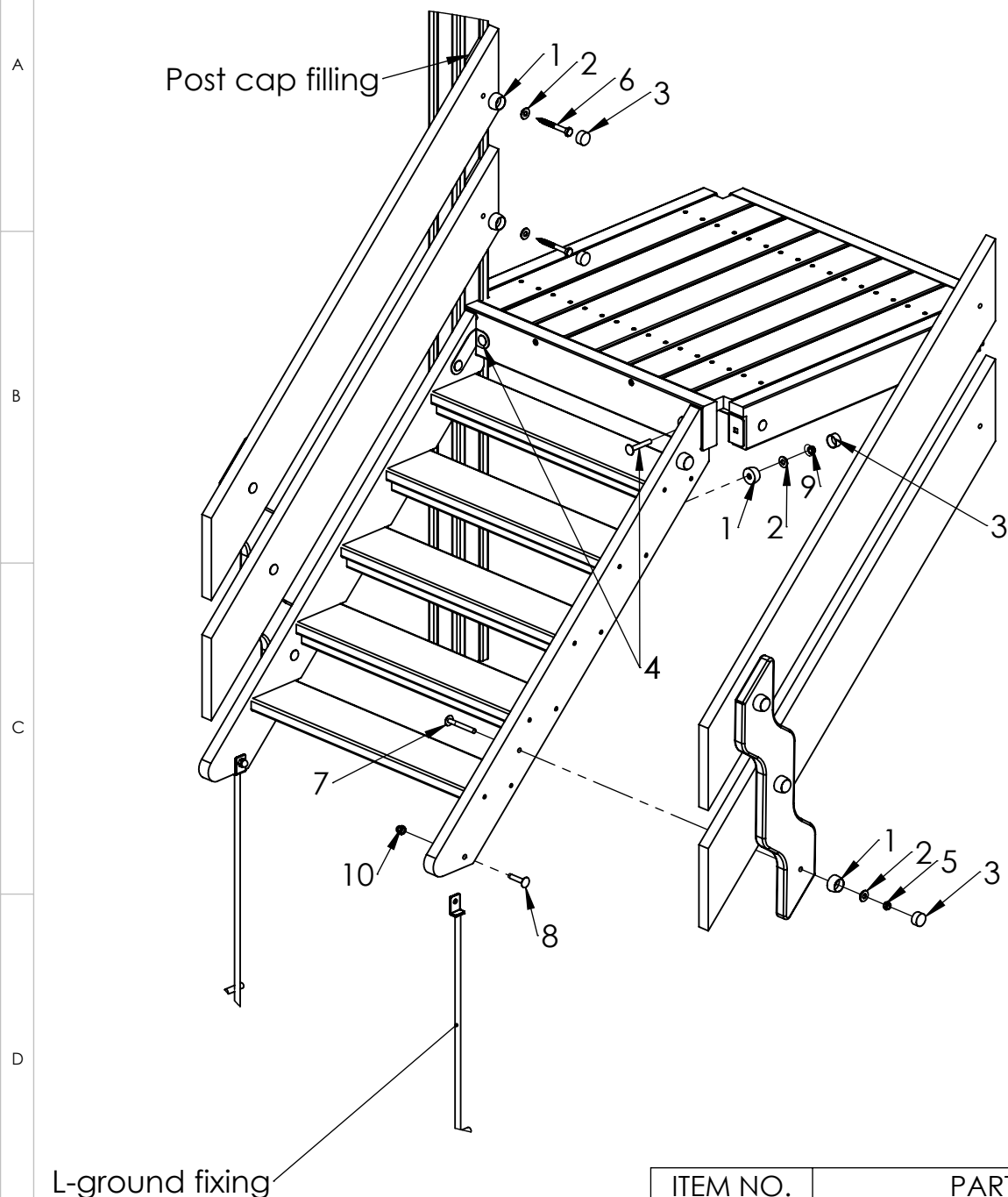
wood, metal, plastic

A4

WEIGHT:

SCALE: 1:12

SHEET 20 OF 24



L-ground fixing

ITEM NO.	PART NUMBER
1	nut cover M12
2	Washer M10 DIN9054
3	nut cover cap M12
4	bolt DIN603 M10x65
5	nut DIN985 M10
6	wood screw DIN571 10x100
7	bolt DIN603 M10x80
8	bolt DIN603 M10x45
9	nut DIN985 M10

UNLESS OTHERWISE SPECIFIED:
DIMENSIONS ARE IN MILLIMETERS
WEIGHT ARE IN KILOGRAMM

PART NUMBER / DWG NO.:

LM102

	NAME	SIGNATURE	DATE	REVISION
DRAWN	I.Agar		06.04.2021	
APPV'D				

DESCRIPTION:

Play centre Johanna



Tiptiptap OÜ

Tiptiptap OÜ
Veetorni 9,
Jüri alevik, Rae vald,
75301 Harjumaa

MATERIAL:

wood, metal, plastic

A4

WEIGHT:

SCALE: 1:15

SHEET 21 OF 24

MF version!

A

Gap filling

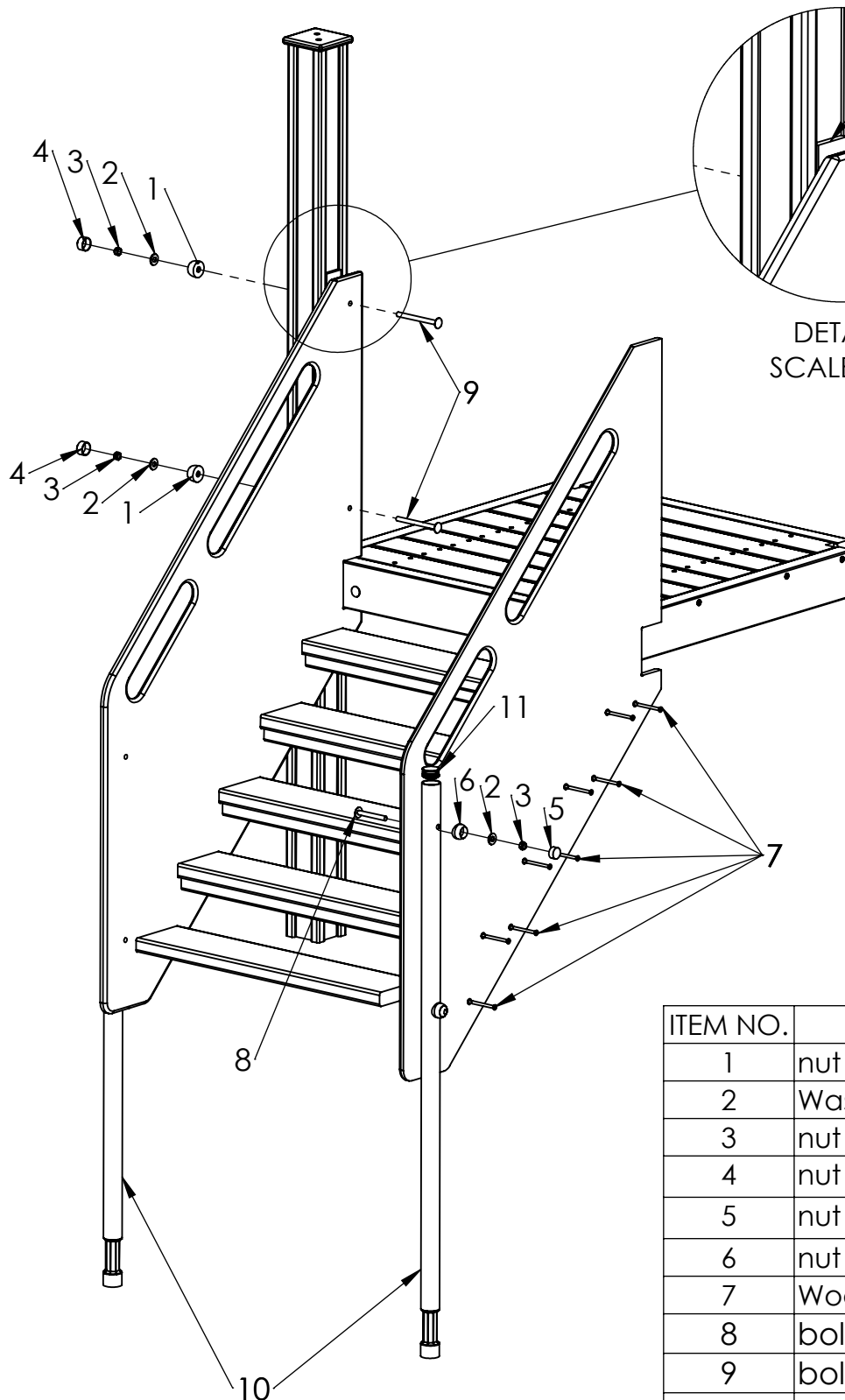
B

C

D

E

F



DETAIL A
SCALE 2 : 15

ITEM NO.	PART NUMBER
1	nut cover M12
2	Washer M10 DIN9054
3	nut DIN985 M10
4	nut cover cap M12
5	nut cover cap M10
6	nut cover for beam M10
7	Woodscrew 6 x 90
8	bolt DIN603 M10x80
9	bolt DIN603 M10x120
10	metal ground fixing L_1345
11	plastic cap

UNLESS OTHERWISE SPECIFIED:
DIMENSIONS ARE IN MILLIMETERS
WEIGHT ARE IN KILOGRAMM

PART NUMBER / DWG NO.:

LM102

	NAME	SIGNATURE	DATE	REVISION
DRAWN	I.Agar		06.04.2021	
APPV'D				

DESCRIPTION:

Play centre Johanna
Connecting stairs to post

MATERIAL:

wood, metal, plastic

A4

WEIGHT:

SCALE: 1:15

SHEET 22 OF 24



Tiptiptap OÜ

Tiptiptap OÜ
Veetorni 9,
Jüri alevik, Rae vald,
75301 Harjumaa

A

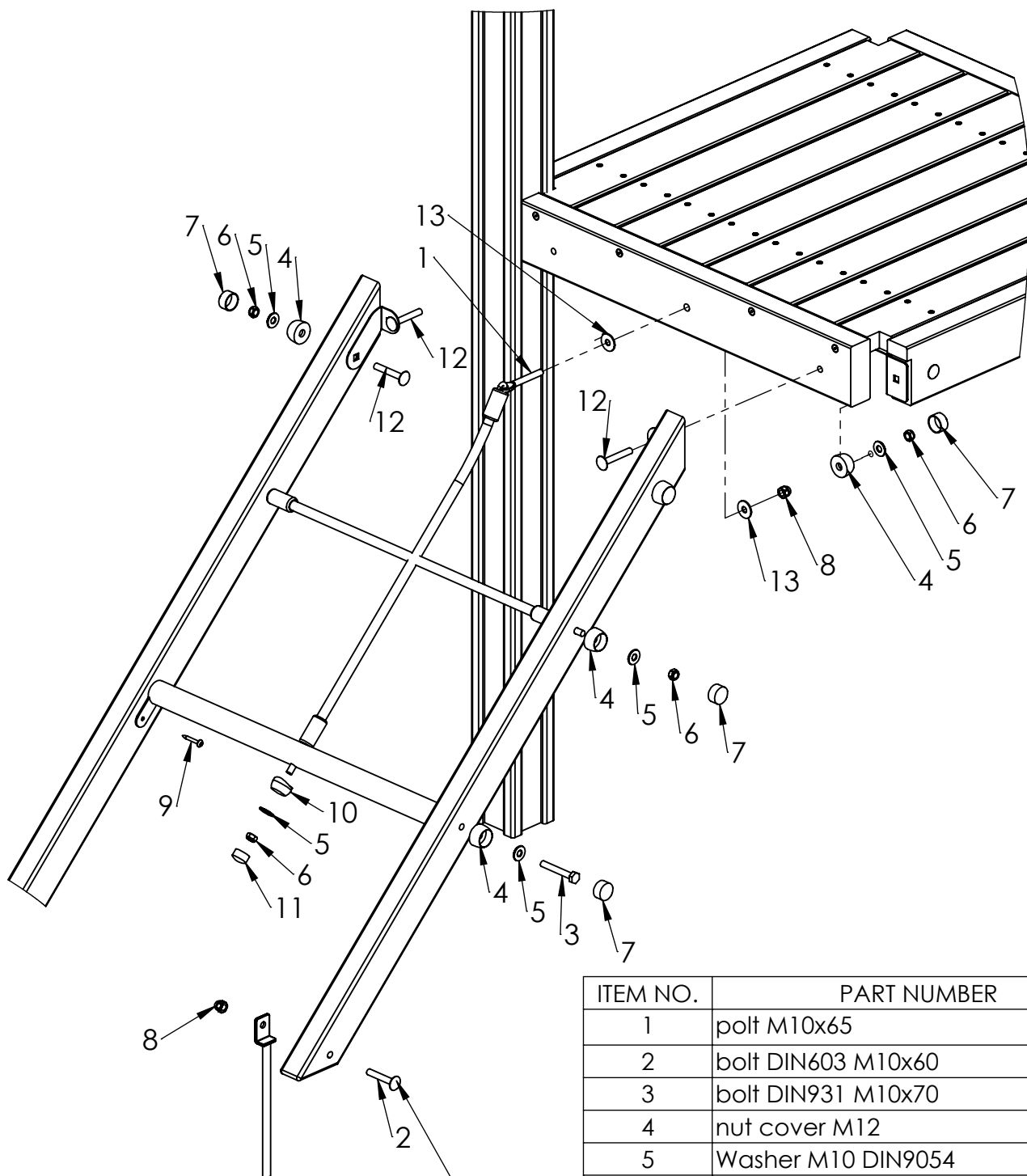
B

C

D

E

F



With Linex, this bolt is M10x65

ITEM NO.	PART NUMBER
1	poltt M10x65
2	bolt DIN603 M10x60
3	bolt DIN931 M10x70
4	nut cover M12
5	Washer M10 DIN9054
6	nut DIN985 M10
7	nut cover cap M12
8	domed cap nut DIN986 M10
9	screw 5x40
10	nut cover for beam M10
11	nut cover cap M10
12	bolt DIN603 M10x65
13	washer M10 DIN9021

UNLESS OTHERWISE SPECIFIED:
DIMENSIONS ARE IN MILLIMETERS
WEIGHT ARE IN KILOGRAMM

PART NUMBER / DWG NO.:

LM102

	NAME	SIGNATURE	DATE	REVISION
DRAWN	I.Agar		06.04.2021	
APPV'D				

DESCRIPTION:

Play centre Johanna

MATERIAL:

wood, metal, plastic

A4

WEIGHT:

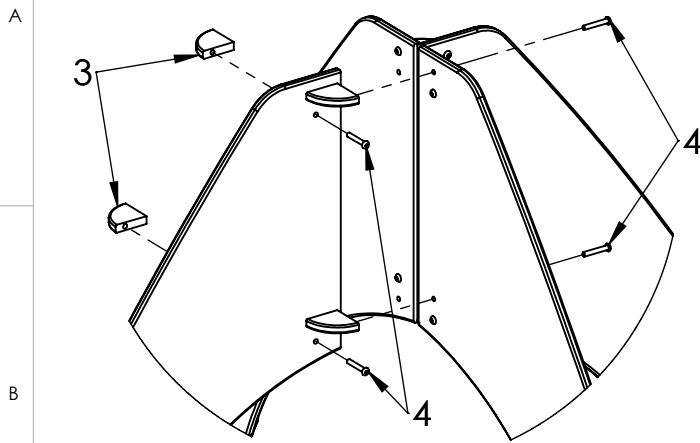
SCALE: 1:10

SHEET 23 OF 24

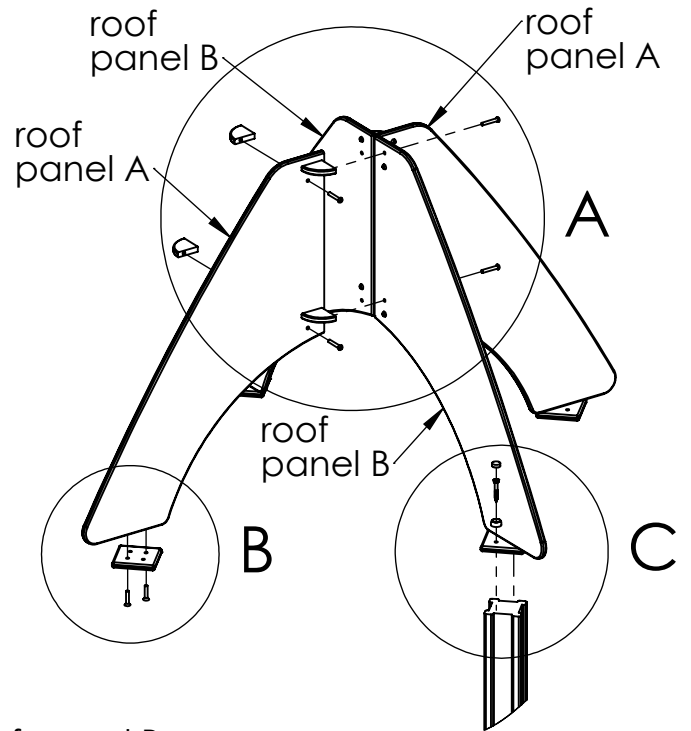


Tiptiptap OÜ

Tiptiptap OÜ
Veetorni 9,
Jüri alevik, Rae vald,
75301 Harjumaa

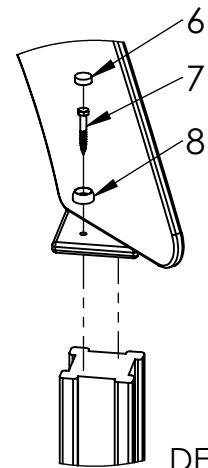
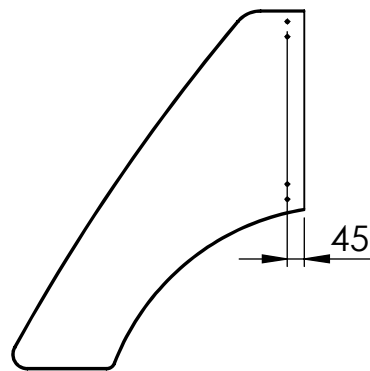
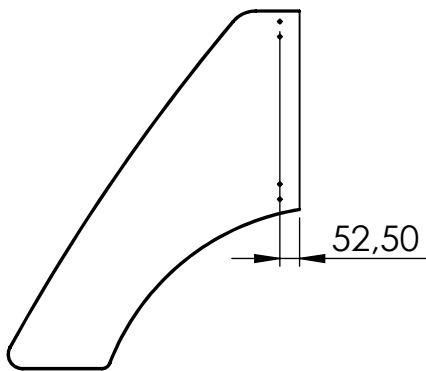


DETAIL A
SCALE 1 : 13

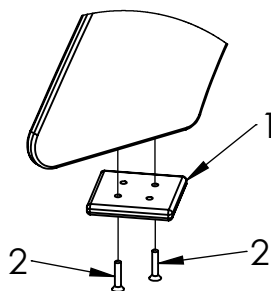


roof panel A

roof panel B



DETAIL C
SCALE 1 : 10



DETAIL B
SCALE 1 : 10

ITEM NO.	PART NUMBER
1	plastic cap 115x115 for roof
2	M8x40 DIN7991
3	plastic corner 90°
4	metal screw DIN 7380 M8x40
5	plastic cap 115x115
6	nut cover cap M8
7	wood screw DIN571 8x60
8	nut cover M8

UNLESS OTHERWISE SPECIFIED:
DIMENSIONS ARE IN MILLIMETERS
WEIGHT ARE IN KILOGRAMM

PART NUMBER / DWG NO.:

LM102

	NAME	SIGNATURE	DATE	REVISION
DRAWN	I.Agar		06.04.2021	
APPV'D				

DESCRIPTION:

Play centre Johanna
roof assembly

MATERIAL:

wood, metal, plastic

A4

WEIGHT:

SCALE: 1:50

SHEET 24 OF 24



Tiptiptap OÜ

Tiptiptap OÜ
Veetorni 9,
Jüri alevik, Rae vald,
75301 Harjumaa