

A

B

C

D

E

F



UNLESS OTHERWISE SPECIFIED:
 DIMENSIONS ARE IN MILLIMETERS
 WEIGHT ARE IN KILOGRAMM

PART NUMBER / DWG NO.:

LM006

	NAME	SIGNATURE	DATE	REVISION
DRAWN	I.Agar		14.11.2022	
APPV'D				

DESCRIPTION:

Play centre Laura



Tiptaptap OÜ

MATERIAL:

wood, metal, plastic

A4

WEIGHT:

SCALE: 1:20

SHEET 1 OF 33

A

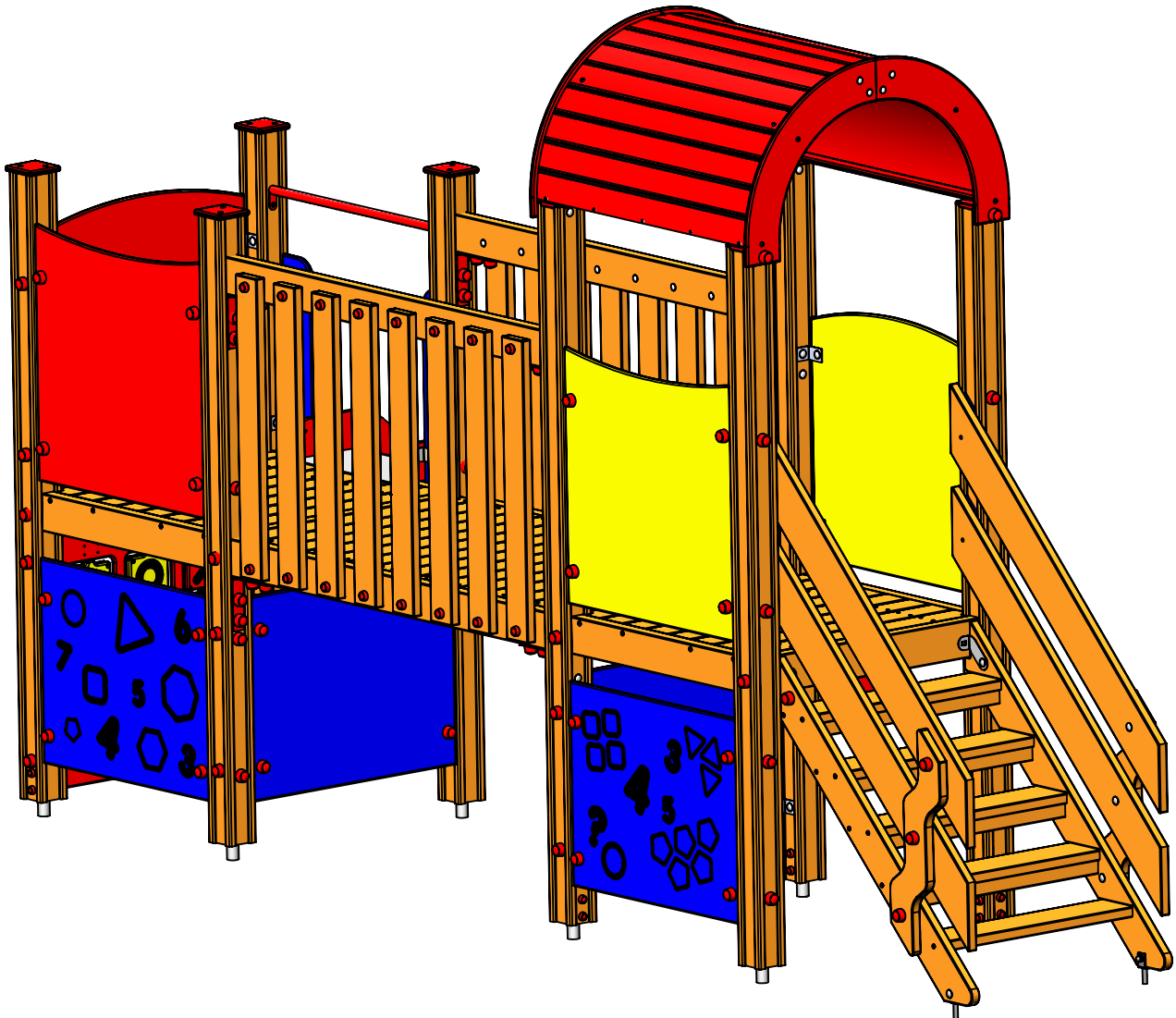
B

C

D

E

F



UNLESS OTHERWISE SPECIFIED:
 DIMENSIONS ARE IN MILLIMETERS
 WEIGHT ARE IN KILOGRAMM

PART NUMBER / DWG NO.:

LM006

	NAME	SIGNATURE	DATE	REVISION
DRAWN	I.Agar		14.11.2022	
APPV'D				

DESCRIPTION:

Play centre Laura



Tiptiptap OÜ

MATERIAL:

wood, metal, plastic

A4

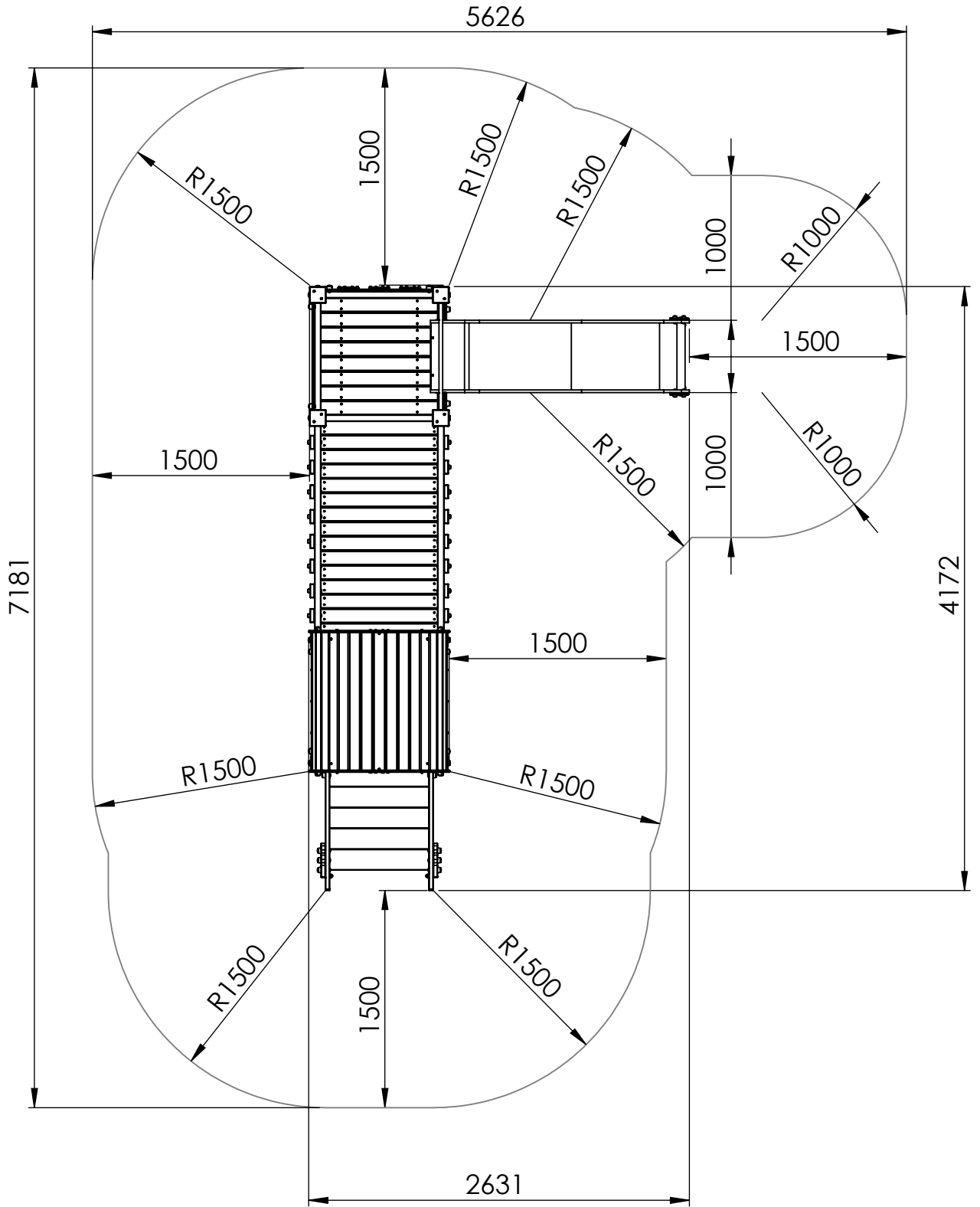
WEIGHT:

SCALE: 1:20

SHEET 2 OF 33

Safety area

A
B
C
D
E



UNLESS OTHERWISE SPECIFIED:
DIMENSIONS ARE IN MILLIMETERS
WEIGHT ARE IN KILOGRAMM

PART NUMBER / DWG NO.:

LM006

	NAME	SIGNATURE	DATE	REVISION
DRAWN	I. Agar		14.11.2022	
APPV'D				

DESCRIPTION:

Play centre Laura

MATERIAL:

wood, metal, plastic

A4

WEIGHT:

SCALE: 1:40

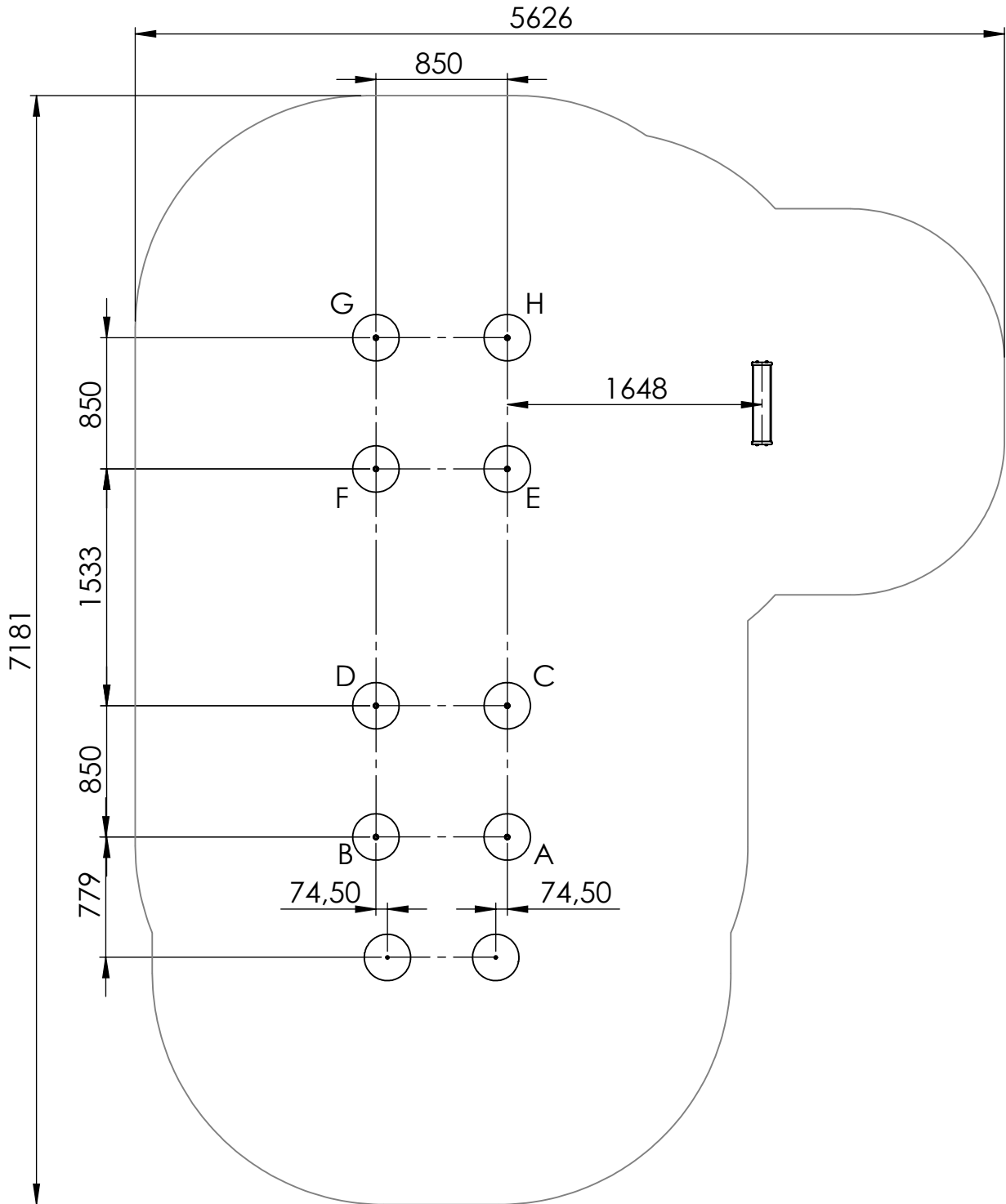
SHEET 3 OF 33



Tiptiptap OÜ

Foundation

A
B
C
D
E



Depth of foundation: 600mm

UNLESS OTHERWISE SPECIFIED:
DIMENSIONS ARE IN MILLIMETERS
WEIGHT ARE IN KILOGRAMM

PART NUMBER / DWG NO.:

LM006

	NAME	SIGNATURE	DATE	REVISION
DRAWN	I.Agar		14.11.2022	
APPV'D				

DESCRIPTION:

Play centre Laura



Tiptap^{OO}

MATERIAL:

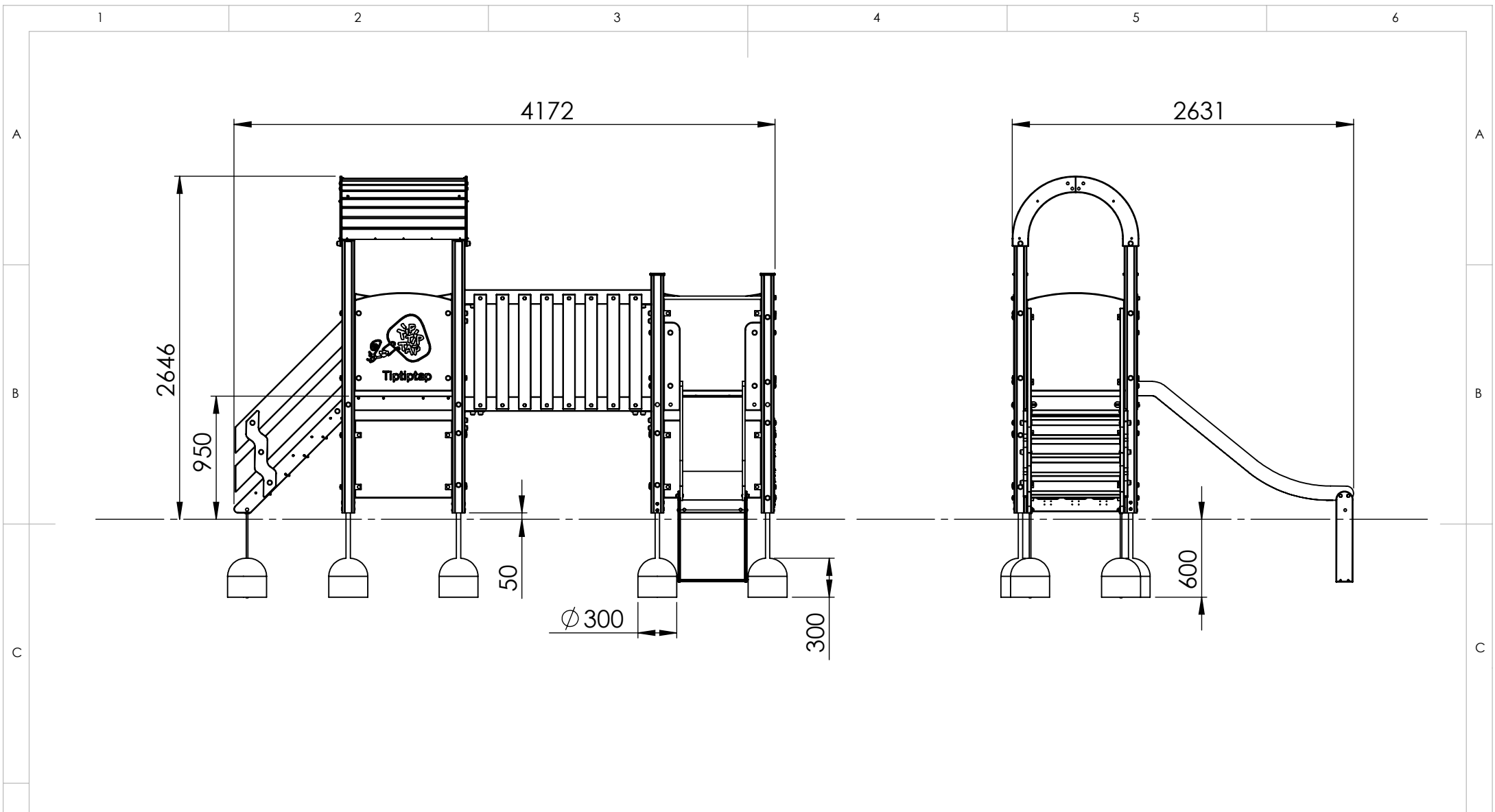
wood, metal, plastic


A4

WEIGHT:

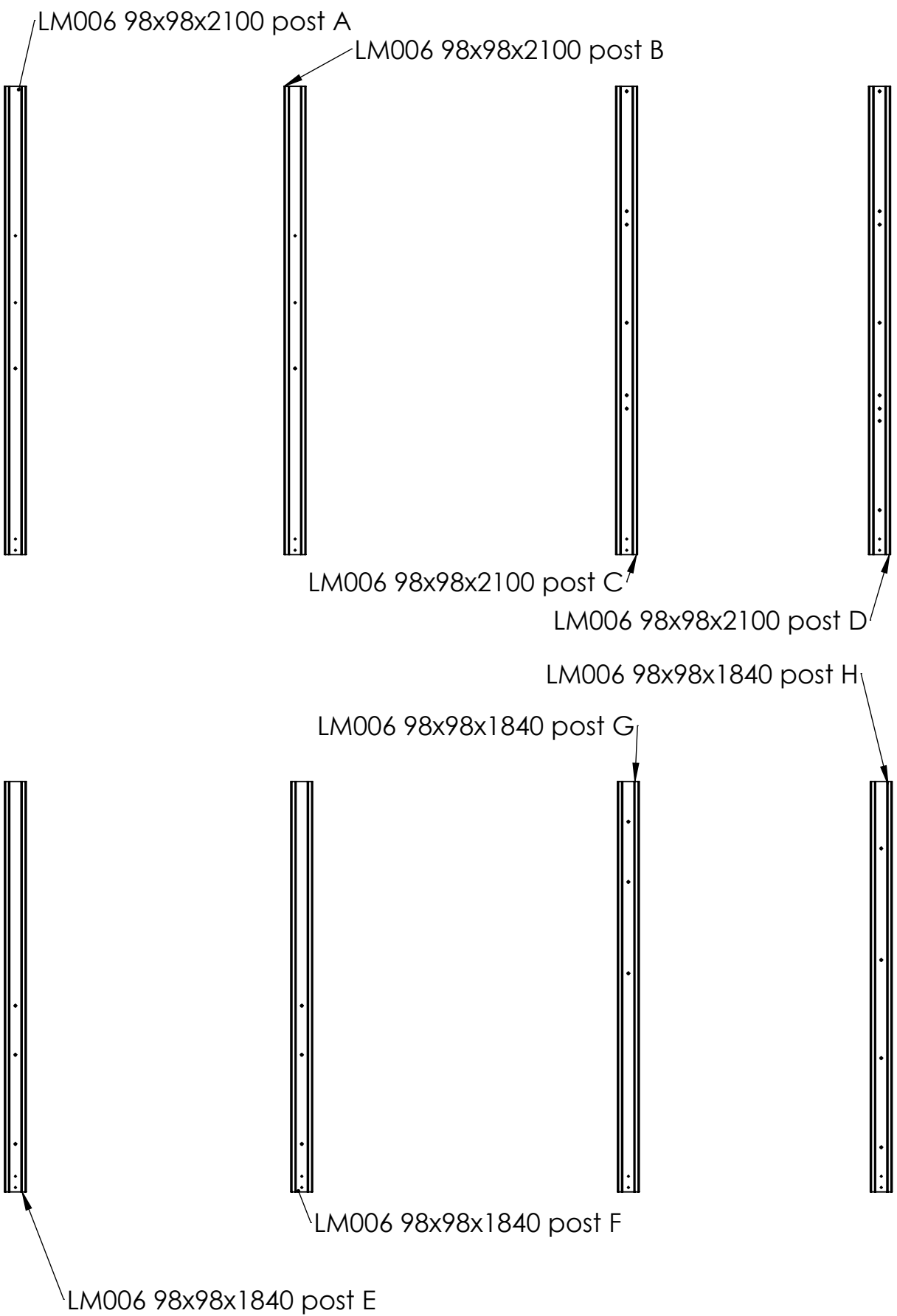
SCALE: 1:40

SHEET 4 OF 33



UNLESS OTHERWISE SPECIFIED: DIMENSIONS ARE IN MILLIMETERS WEIGHT ARE IN KILOGRAMM					PART NUMBER / DWG NO.: LM006		
	NAME	SIGNATURE	DATE	REVISION	DESCRIPTION: Play centre Laura		
DRAWN	I.Agar		14.11.2022				
APPV'D							
 Tiptiptap ^{OU}					MATERIAL: wood, metal, plastic		A4
					WEIGHT:		SCALE: 1:40

A
B
C
D
E



UNLESS OTHERWISE SPECIFIED:
 DIMENSIONS ARE IN MILLIMETERS
 WEIGHT ARE IN KILOGRAMM

PART NUMBER / DWG NO.:
LM006

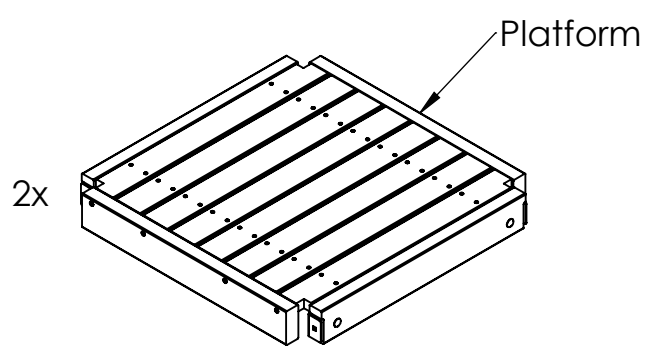
	NAME	SIGNATURE	DATE	REVISION
DRAWN	I.Agar		14.11.2022	
APPV'D				

DESCRIPTION:
Play centre Laura

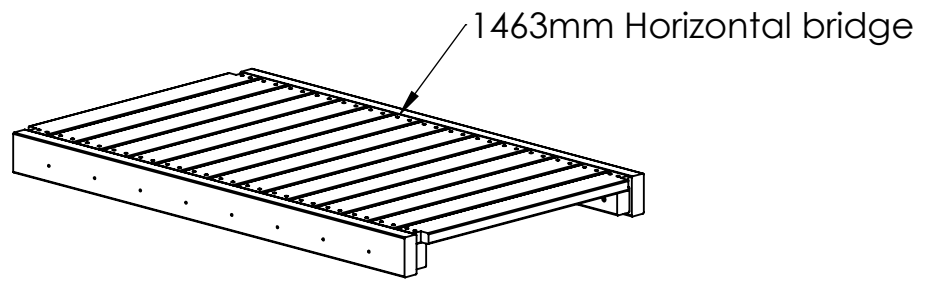


MATERIAL:	wood, metal, plastic	A4
WEIGHT:		SHEET 6 OF 33
	SCALE: 1:25	

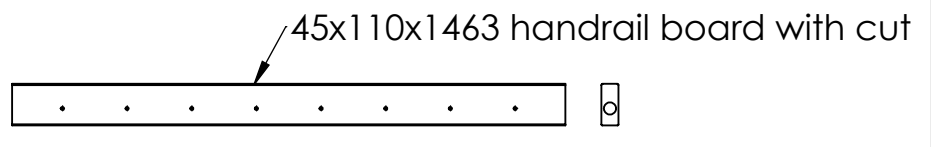
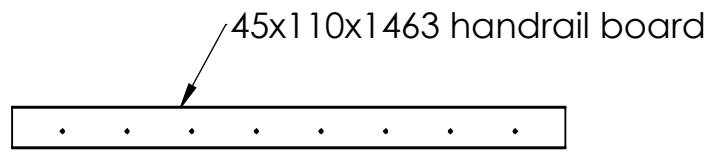
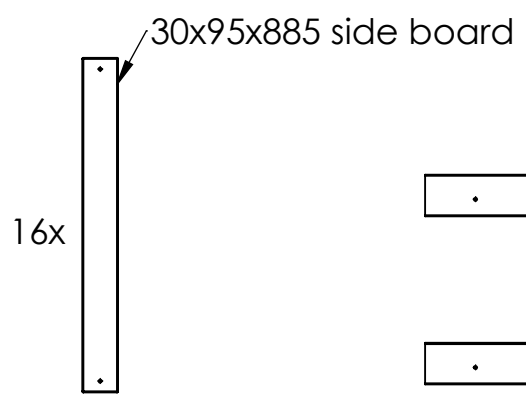
A



B

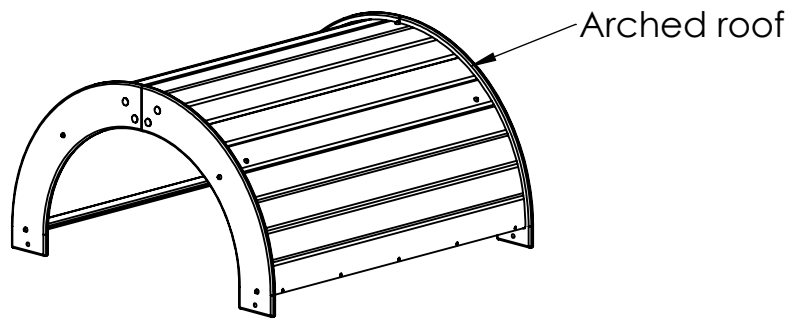


C



D

E



UNLESS OTHERWISE SPECIFIED:
DIMENSIONS ARE IN MILLIMETERS
WEIGHT ARE IN KILOGRAMM

PART NUMBER / DWG NO.:
LM006

	NAME	SIGNATURE	DATE	REVISION
DRAWN	I.Agar		14.11.2022	
APPV'D				

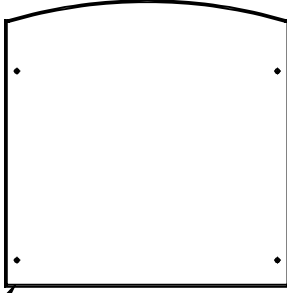
DESCRIPTION:
Play centre Laura



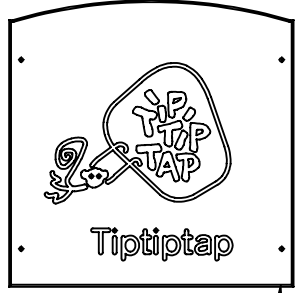
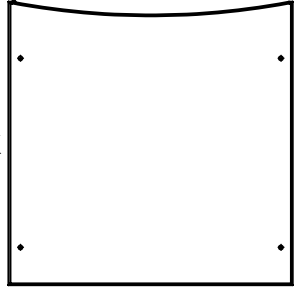
MATERIAL:	wood, metal, plastic	A4
WEIGHT:		SCALE: 1:20
		SHEET 7 OF 33

A

Playground downward curve panel, lower hole 100mm



2x



B

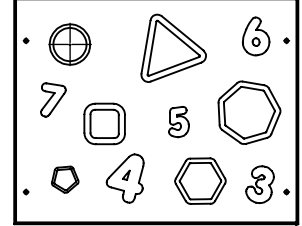
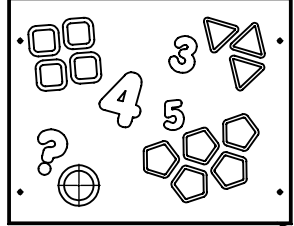
Playground upward curved panel, lower hole 70mm

Playground upward curved panel, lower hole 100mm with logo

C

Playground rectangle panel, lower hole 100mm

2x



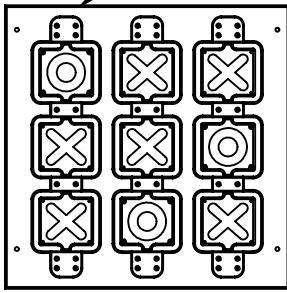
D

Playground rectangle panel, lower hole 85mm, geometry 1

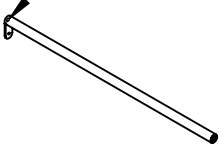
Playground rectangle panel, lower hole 85mm, geometry 2

E

Tic-tac-toe



Guardrail D25x770



F

UNLESS OTHERWISE SPECIFIED: DIMENSIONS ARE IN MILLIMETERS WEIGHT ARE IN KILOGRAMM				
	NAME	SIGNATURE	DATE	REVISION
DRAWN	I.Agar		14.11.2022	
APPV'D				

PART NUMBER / DWG NO.:	LM006
DESCRIPTION:	Play centre Laura



MATERIAL:	wood, metal, plastic	A4
WEIGHT:	SCALE: 1:20	SHEET 8 OF 33

A

B

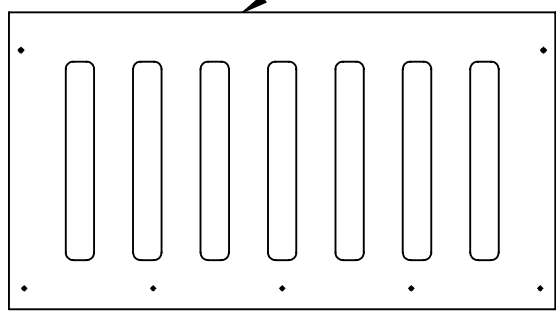
C

D

E

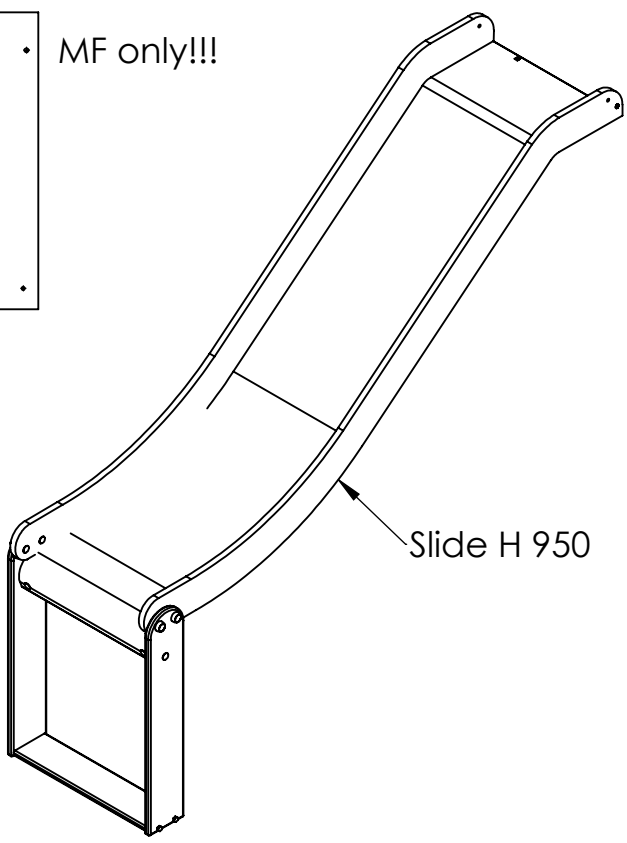
F

2x

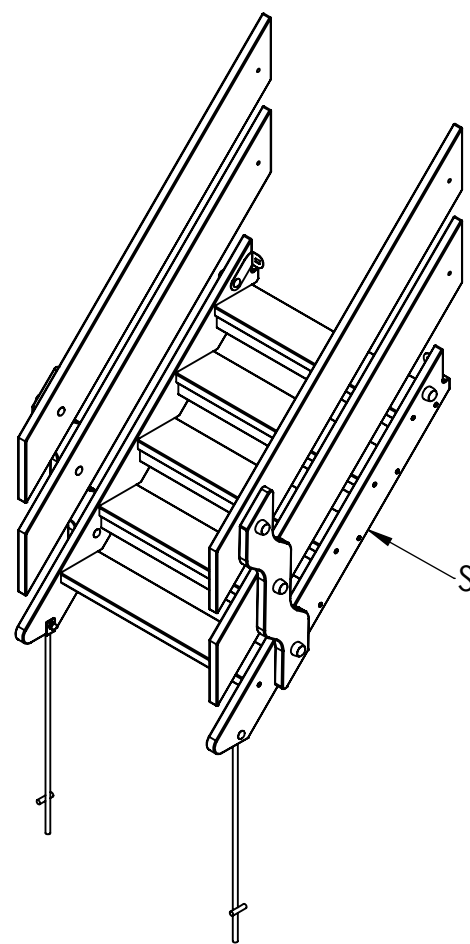


LM006 MF bridge panel

MF only!!!



Slide H 950



Stair H 950

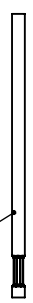
Slide side panel

2x



8x

750mm metal groundfixing



UNLESS OTHERWISE SPECIFIED:
 DIMENSIONS ARE IN MILLIMETERS
 WEIGHT ARE IN KILOGRAMM

PART NUMBER / DWG NO.:
LM006

	NAME	SIGNATURE	DATE	REVISION
DRAWN	I.Agar		14.11.2022	
APPV'D				

DESCRIPTION:
Play centre Laura

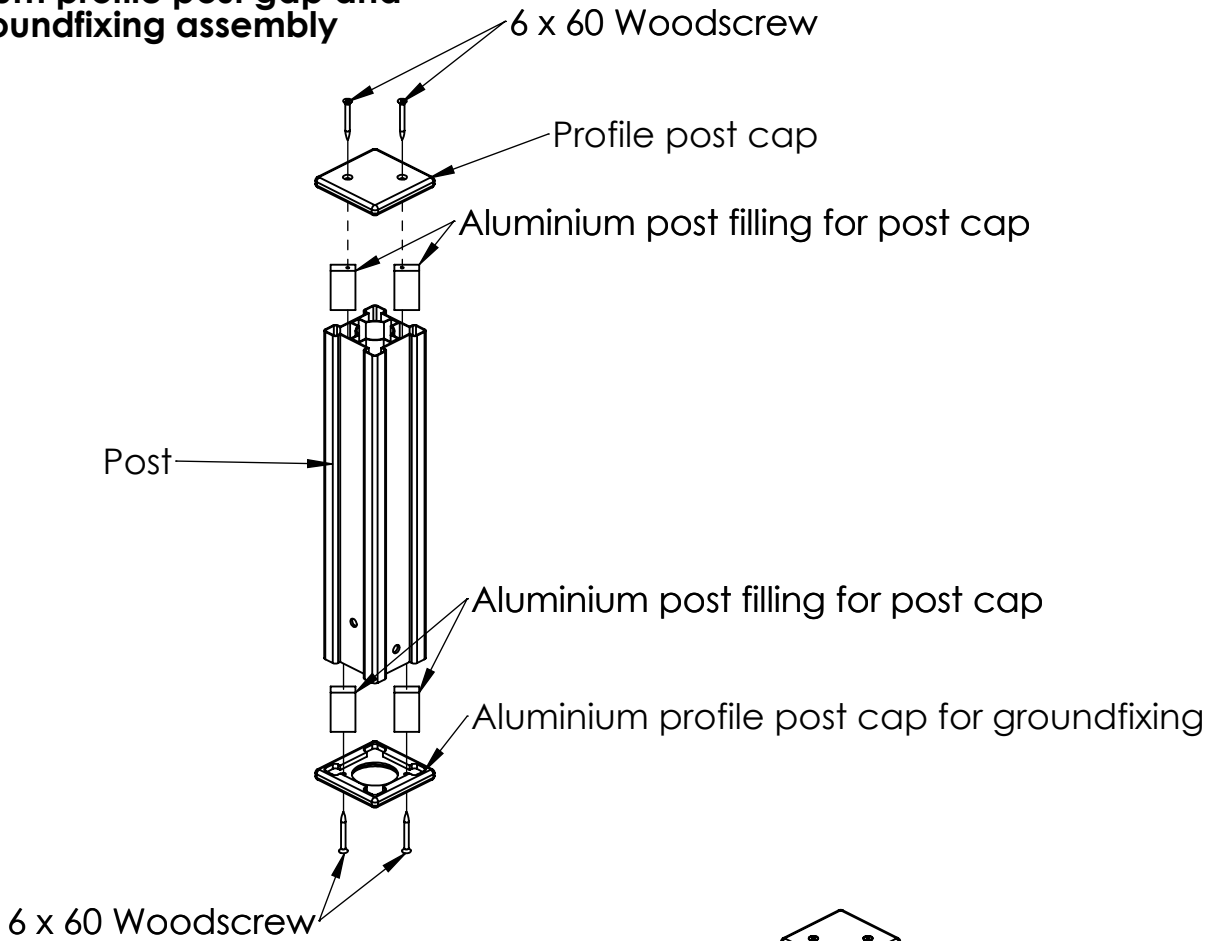


MATERIAL:	wood, metal, plastic	A4
WEIGHT:	SCALE: 1:20	SHEET 9 OF 33

Aluminium profile post gap and tube groundfixing assembly

A

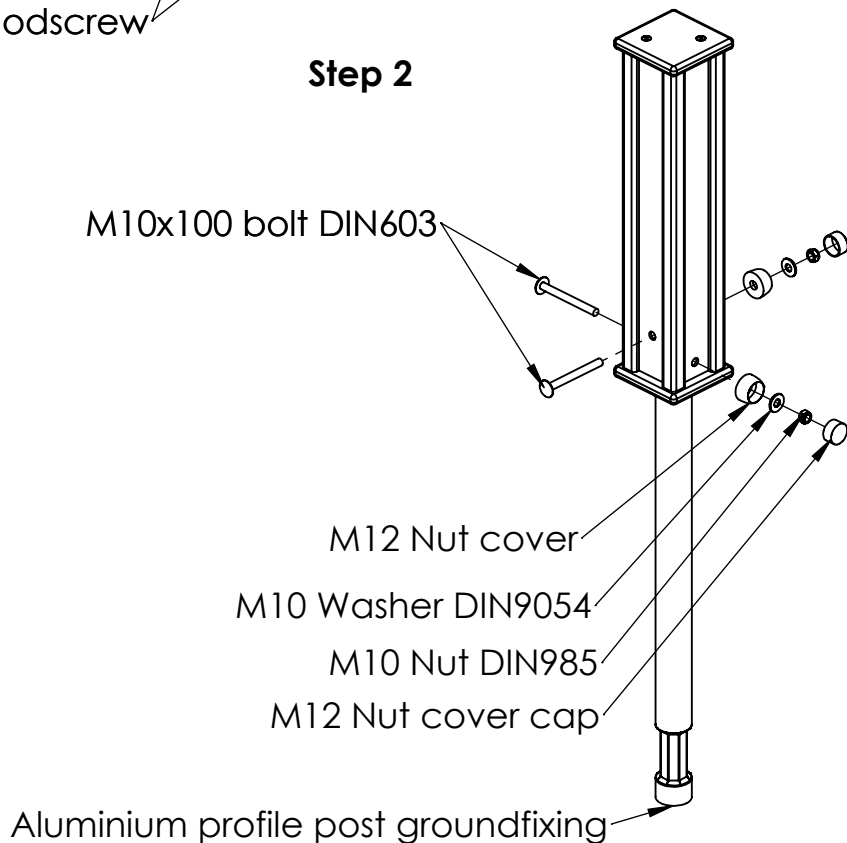
Step 1



B

C

Step 2



D

E

F

UNLESS OTHERWISE SPECIFIED:
 DIMENSIONS ARE IN MILLIMETERS
 WEIGHT ARE IN KILOGRAMM

PART NUMBER / DWG NO.:

LM006

	NAME	SIGNATURE	DATE	REVISION
DRAWN	I.Agar		14.11.2022	
APPV'D				

DESCRIPTION:

Play centre Laura

MATERIAL:

wood, metal, plastic

A4

WEIGHT:

SCALE: 1:10

SHEET 10 OF 33



Tiptiptap ⁰⁰

Wood profile post gap and groundfixing assembly

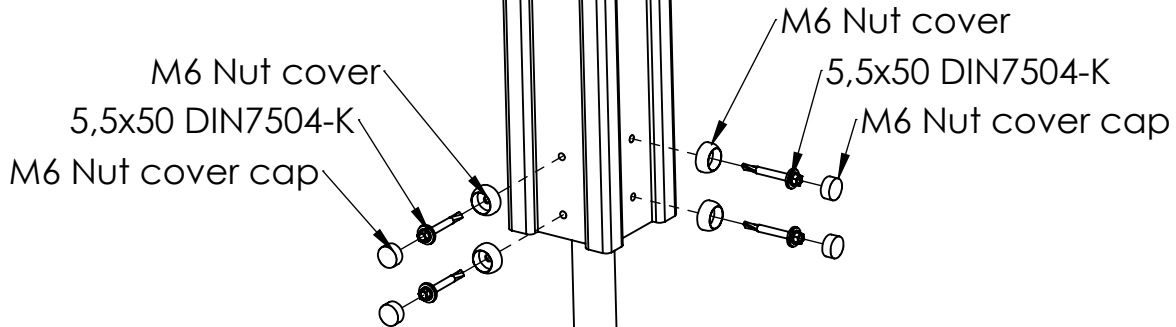
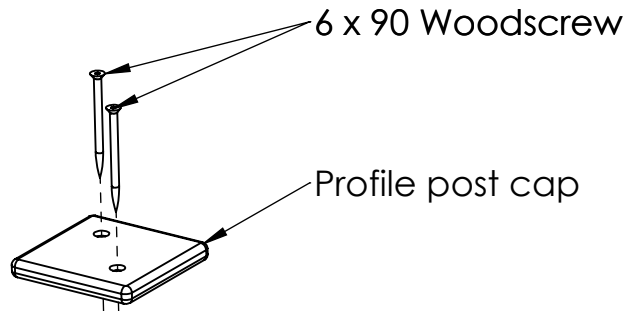
A

B

C

D

E



750mm metal groundfixing

UNLESS OTHERWISE SPECIFIED: DIMENSIONS ARE IN MILLIMETERS WEIGHT ARE IN KILOGRAMM				
	NAME	SIGNATURE	DATE	REVISION
DRAWN	I.Agar		14.11.2022	
APPV'D				

PART NUMBER / DWG NO.: **LM006**

DESCRIPTION: **Play centre Laura**

MATERIAL: **wood, metal, plastic** A4

WEIGHT: SCALE: 1:6 SHEET 11 OF 33



A

B

C

D

E

F

LM006 98x98x2100 post B
 LM006 98x98x2100 post C
 LM006 98x98x2100 post A
 LM006 98x98x2100 post D

Platform 1

6 x 90 Woodscrew

M10x60 bolt DIN603

M10 domed cap nut DIN986

M12 Nut cover

M10 Washer DIN9054

M10 Nut DIN985

M12 Nut cover cap

UNLESS OTHERWISE SPECIFIED:
 DIMENSIONS ARE IN MILLIMETERS
 WEIGHT ARE IN KILOGRAMM

PART NUMBER / DWG NO.:

LM006

	NAME	SIGNATURE	DATE	REVISION
DRAWN	I.Agar		14.11.2022	
APPV'D				

DESCRIPTION:

Play centre Laura



Tiptiptap OÜ

MATERIAL:

wood, metal, plastic

A4

WEIGHT:

SCALE: 1:20

SHEET 12 OF 33

A

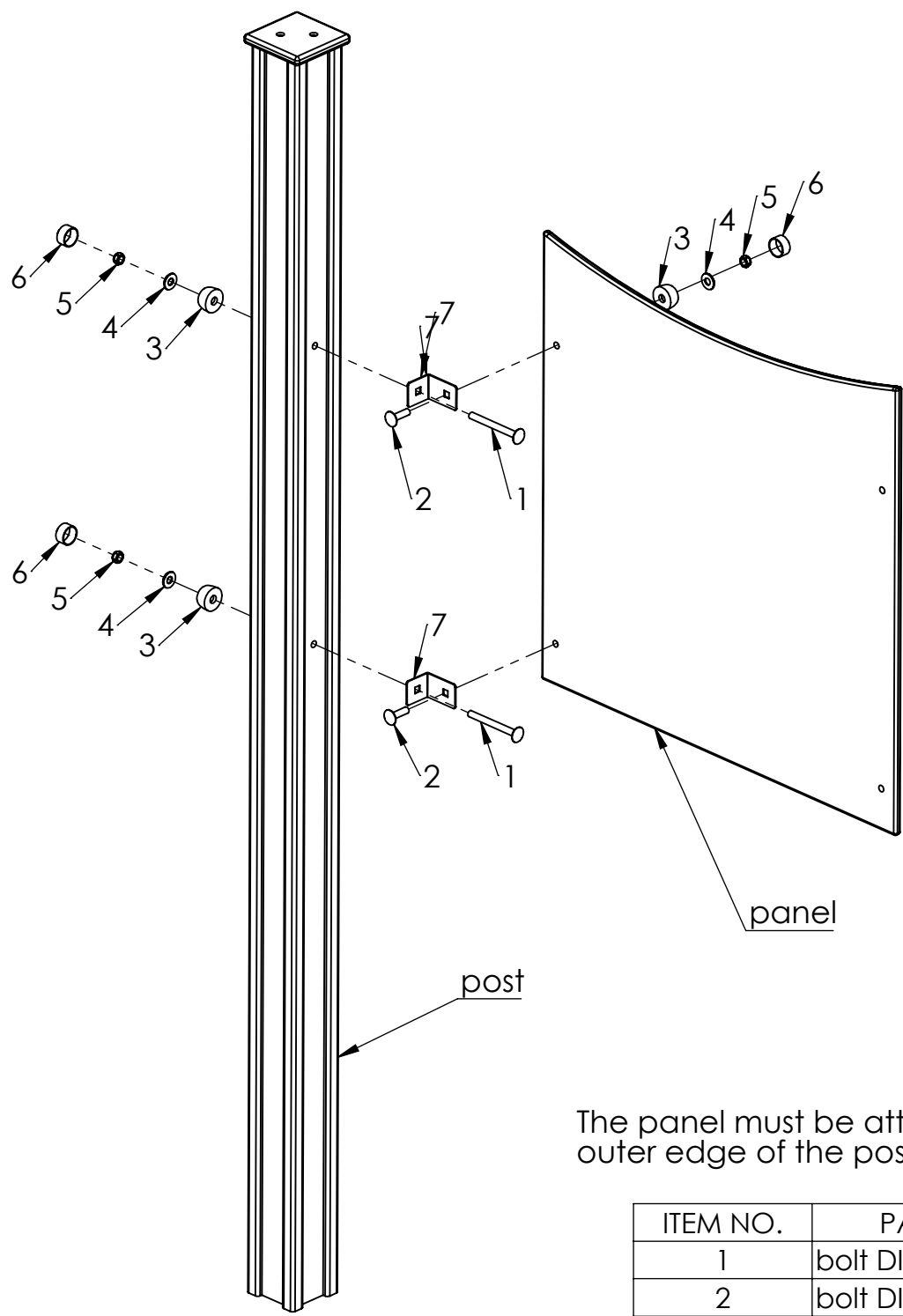
B

C

D

E

F



The panel must be attached to the outer edge of the post !!!

ITEM NO.	PART NUMBER
1	bolt DIN603 M10x100
2	bolt DIN603 M10x35
3	nut cover M12
4	Washer M10 DIN9054
5	nut DIN985 M10
6	nut cover cap M12
7	Corner 90° (45x60)

UNLESS OTHERWISE SPECIFIED: DIMENSIONS ARE IN MILLIMETERS WEIGHT ARE IN KILOGRAMM				
	NAME	SIGNATURE	DATE	REVISION
DRAWN	I.Agar		14.11.2022	
APPV'D				

PART NUMBER / DWG NO.: **LM006**

DESCRIPTION:
**Play centre Laura
connecting panel to post**

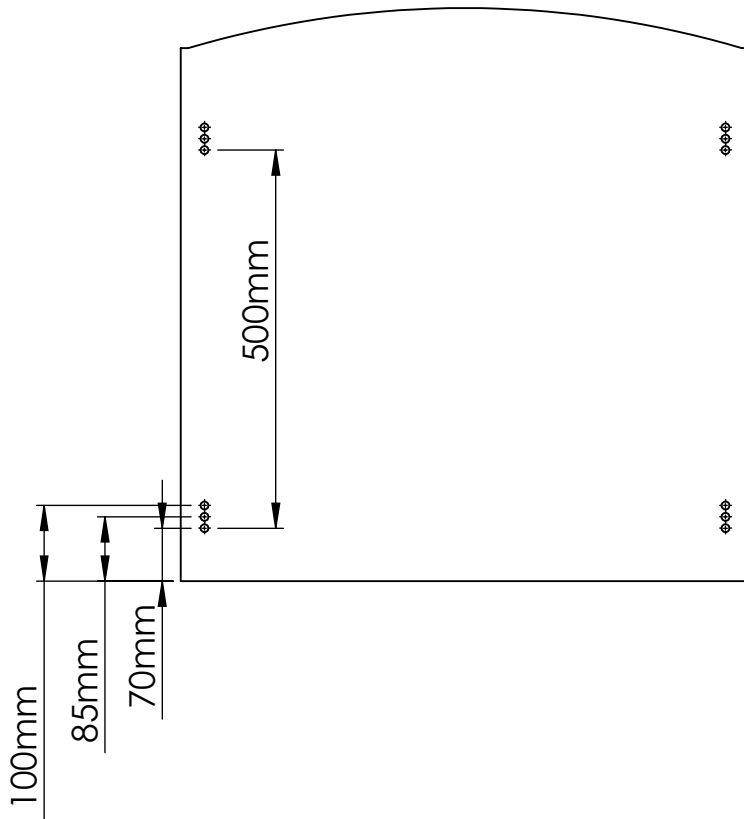


Tiptap OÜ

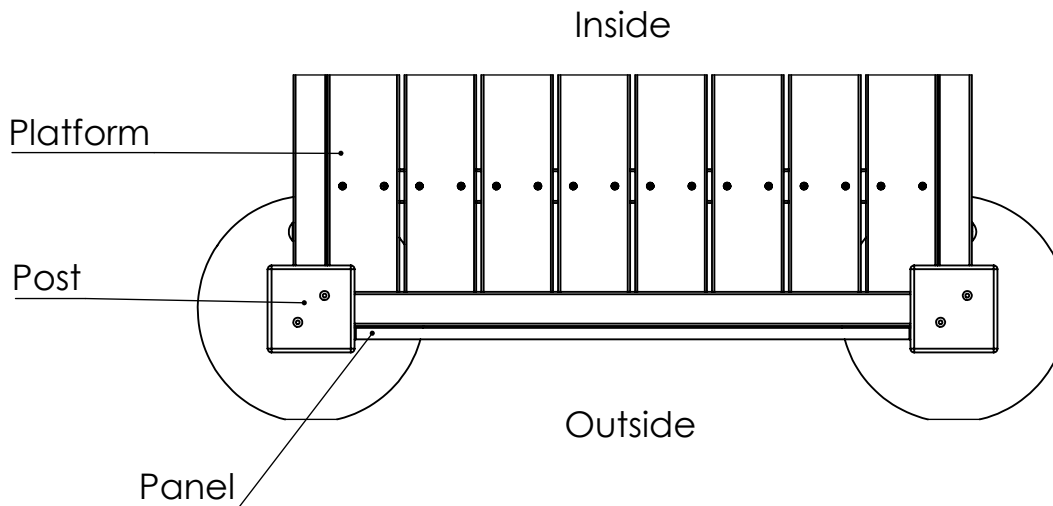
MATERIAL: wood, metal, plastic A4

WEIGHT: SCALE: 1:10 SHEET 13 OF 33

Explanation of the 'lower hole' behind the panel name:



The panel must be installed on the post as shown in the picture!



UNLESS OTHERWISE SPECIFIED:
DIMENSIONS ARE IN MILLIMETERS
WEIGHT ARE IN KILOGRAMM

PART NUMBER / DWG NO.:

LM006

	NAME	SIGNATURE	DATE	REVISION
DRAWN	I.Agar		14.11.2022	
APPV'D				

DESCRIPTION:

Play centre Laura
connecting panel to post

MATERIAL:

wood, metal, plastic

A4

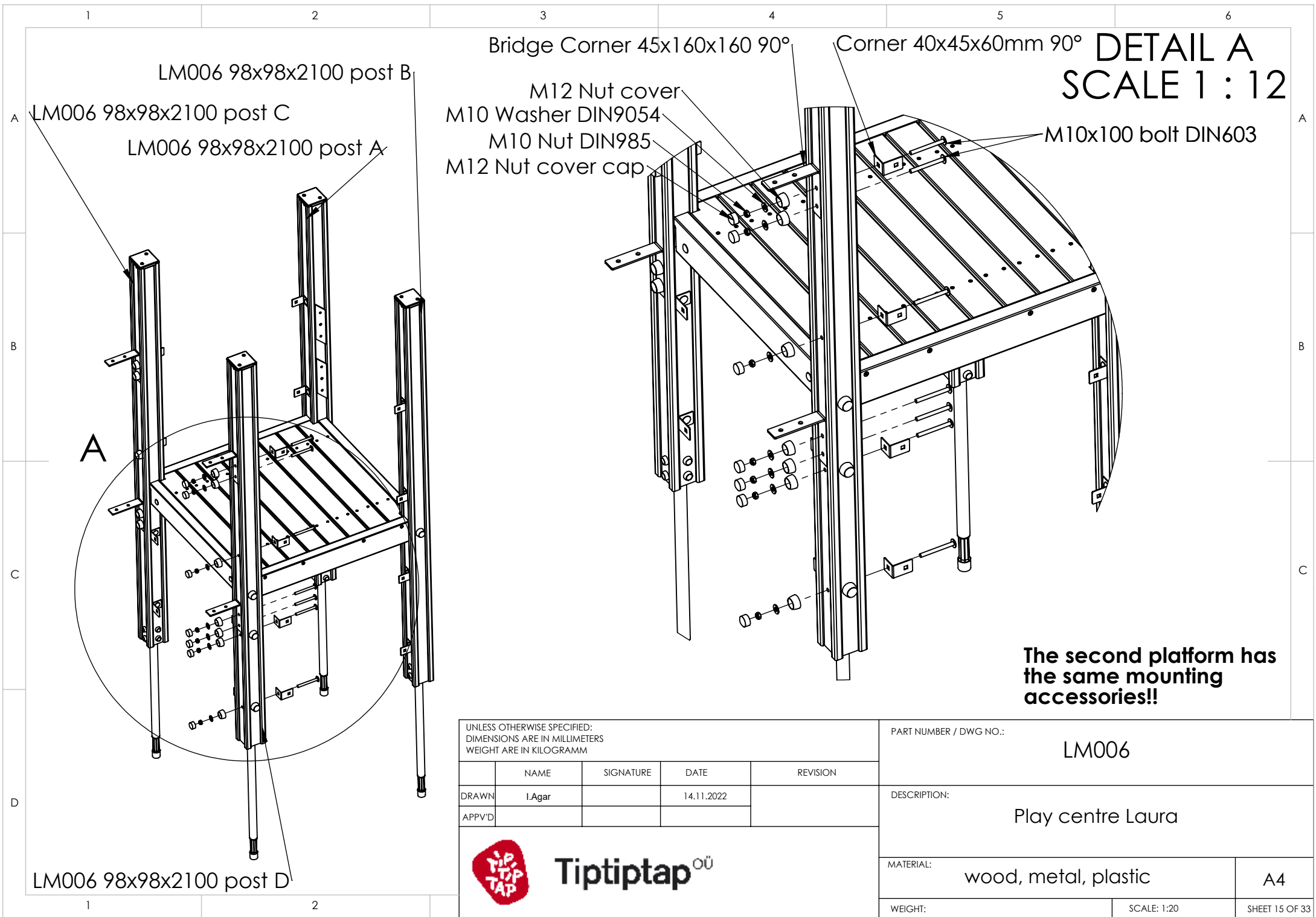
WEIGHT:

SCALE: 1:10

SHEET 14 OF 33




Tiptiptap OÜ



DETAIL A

SCALE 1 : 12

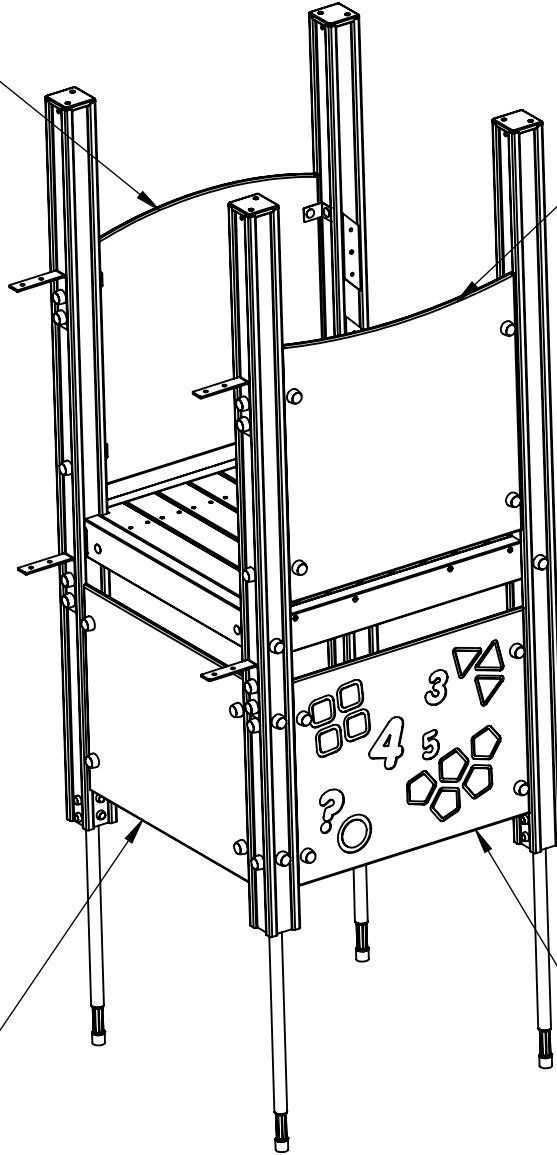
The second platform has the same mounting accessories!!

UNLESS OTHERWISE SPECIFIED: DIMENSIONS ARE IN MILLIMETERS WEIGHT ARE IN KILOGRAMM					PART NUMBER / DWG NO.: LM006			
	NAME	SIGNATURE	DATE	REVISION	DESCRIPTION: Play centre Laura			
DRAWN	I.Agar		14.11.2022					
APPV'D								
 Tiptap ^{OU}					MATERIAL: wood, metal, plastic		A4	
					WEIGHT:		SCALE: 1:20	SHEET 15 OF 33

A
B
C
D
E
F

Playground upward curved panel, lower hole 100mm with logo

Playground downward curve panel, lower hole 100mm



Playground rectangle panel, lower hole 100mm

Playground rectangle panel, lower hole 85mm, geometry 1

UNLESS OTHERWISE SPECIFIED:
DIMENSIONS ARE IN MILLIMETERS
WEIGHT ARE IN KILOGRAMM

PART NUMBER / DWG NO.:

LM006

	NAME	SIGNATURE	DATE	REVISION
DRAWN	I.Agar		14.11.2022	
APPV'D				

DESCRIPTION:

Play centre Laura



Tiptiptap⁰⁰

MATERIAL:

wood, metal, plastic

A4

WEIGHT:

SCALE: 1:20

SHEET 16 OF 33

A

B

C

D

E

LM006 98x98x1840 post G

LM006 98x98x1840 post E

LM006 98x98x1840 post F

Platform 2

LM006 98x98x1840 post H

UNLESS OTHERWISE SPECIFIED:
DIMENSIONS ARE IN MILLIMETERS
WEIGHT ARE IN KILOGRAMM

PART NUMBER / DWG NO.:
LM006

	NAME	SIGNATURE	DATE	REVISION
DRAWN	I.Agar		14.11.2022	
APPV'D				

DESCRIPTION:
Play centre Laura



MATERIAL:	wood, metal, plastic	A4
WEIGHT:	SCALE: 1:15	SHEET 17 OF 33

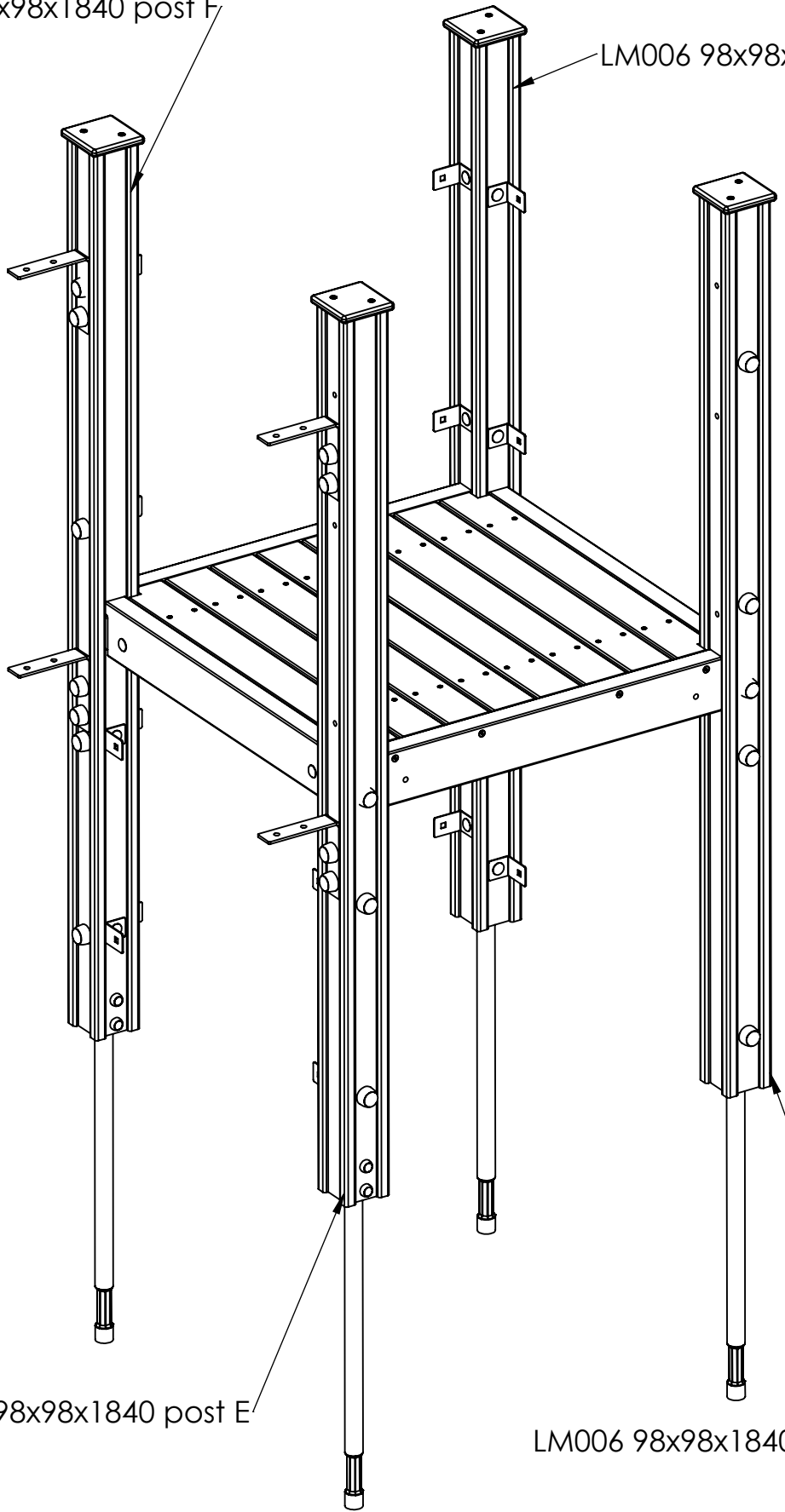
A
B
C
D
E

LM006 98x98x1840 post F

LM006 98x98x1840 post H

LM006 98x98x1840 post E

LM006 98x98x1840 post G



UNLESS OTHERWISE SPECIFIED:
DIMENSIONS ARE IN MILLIMETERS
WEIGHT ARE IN KILOGRAMM

PART NUMBER / DWG NO.:

LM006

	NAME	SIGNATURE	DATE	REVISION
DRAWN	I.Agar		14.11.2022	
APPV'D				

DESCRIPTION:

Play centre Laura

F



Tiptap OÜ

MATERIAL:

wood, metal, plastic

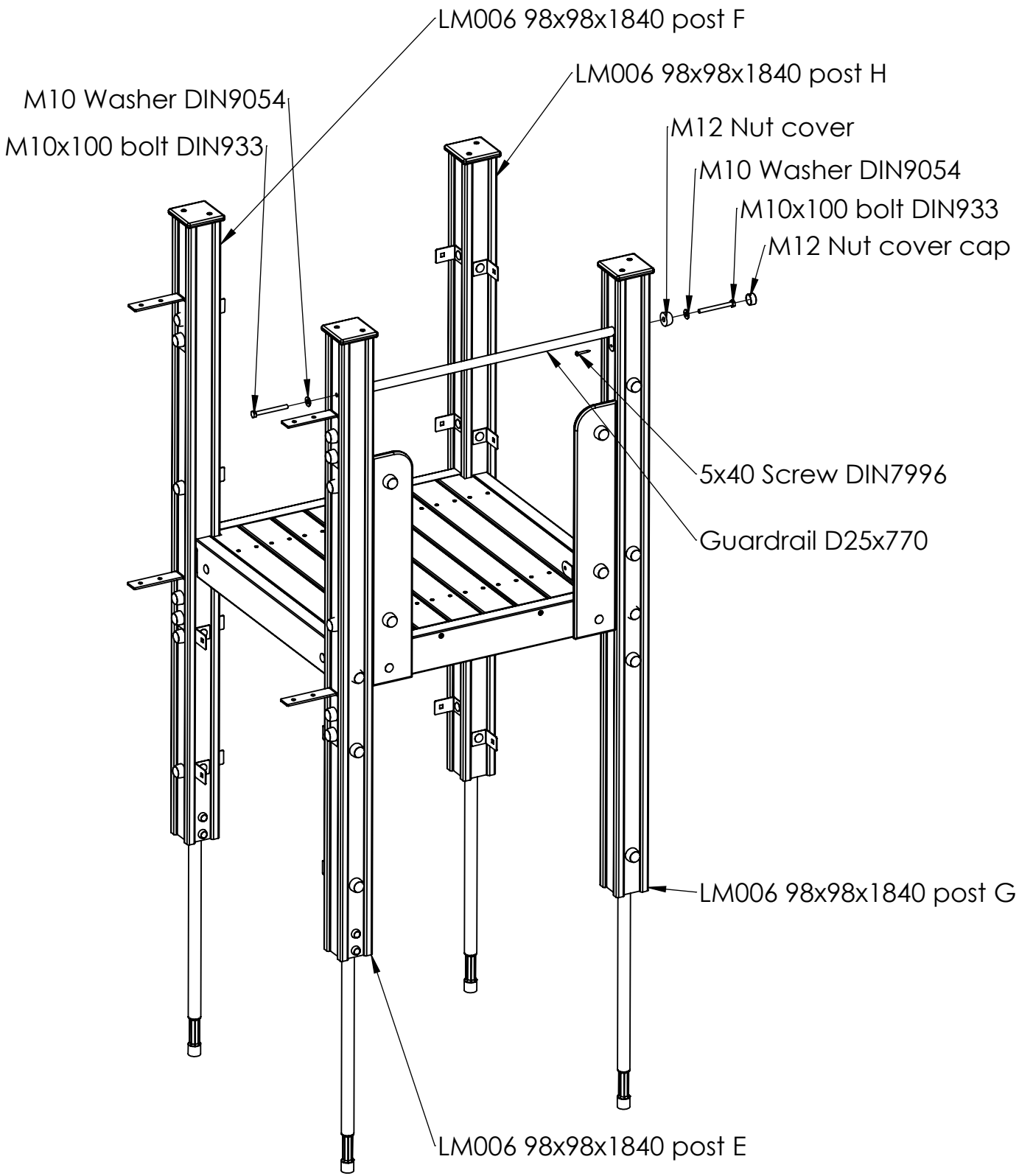
A4

WEIGHT:

SCALE: 1:12

SHEET 18 OF 33

A
B
C
D
E



UNLESS OTHERWISE SPECIFIED:
 DIMENSIONS ARE IN MILLIMETERS
 WEIGHT ARE IN KILOGRAMM

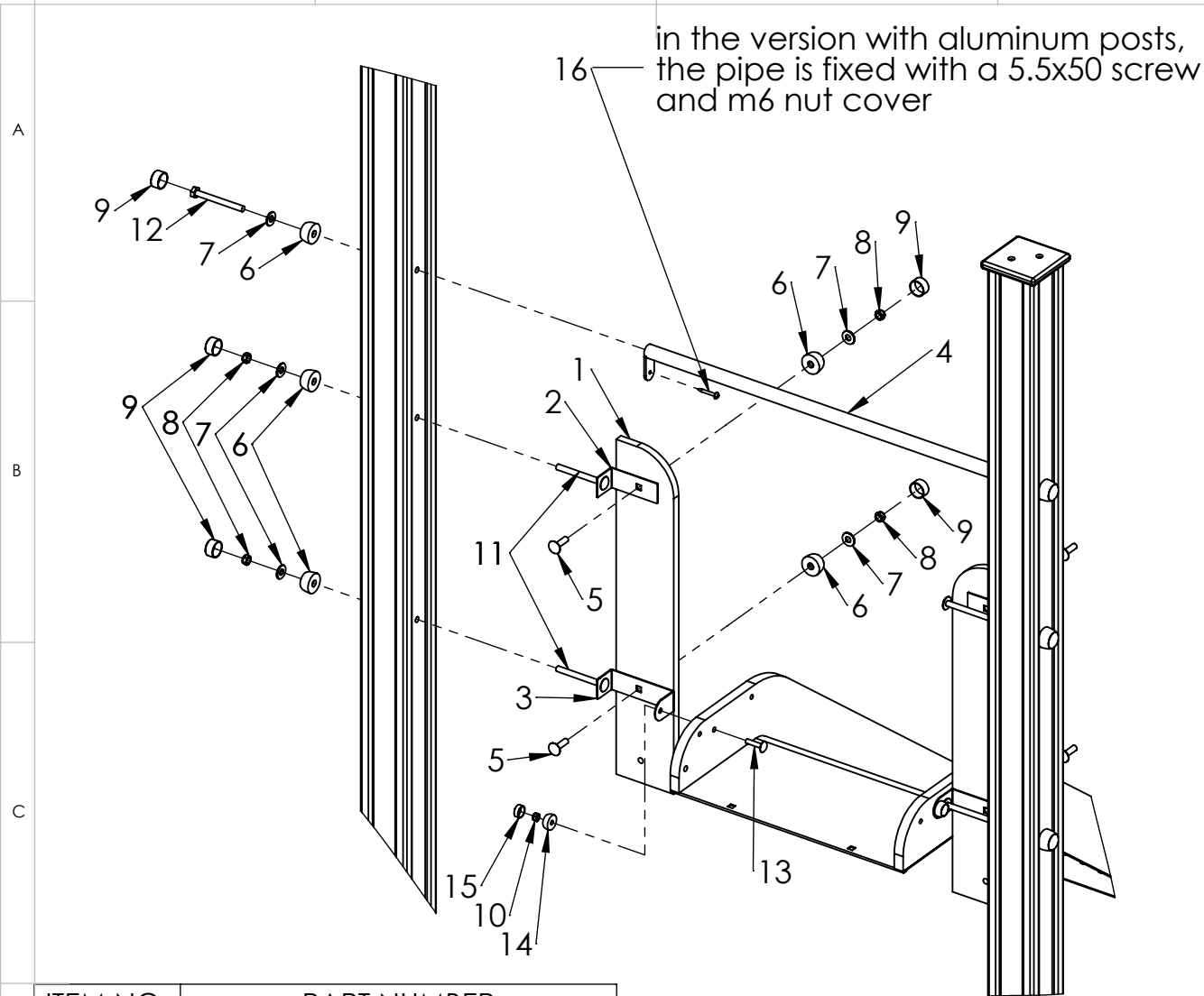
PART NUMBER / DWG NO.:
LM006

	NAME	SIGNATURE	DATE	REVISION
DRAWN	I.Agar		14.11.2022	
APPV'D				

DESCRIPTION:
Play centre Laura



MATERIAL:	wood, metal, plastic	A4
WEIGHT:	SCALE: 1:15	SHEET 19 OF 33



ITEM NO.	PART NUMBER
1	slide side panel 124x680
2	slide side panel fixing 40x100
3	slide side panel fixing 40x135
4	guardrail ϕ 25x770
5	bolt DIN603 M10x35
6	nut cover M12
7	Washer M10 DIN9054
8	nut DIN985 M10
9	nut cover cap M12
10	nut DIN985 M8
11	bolt DIN603 M10x100
12	bolt DIN931 M10x100
13	bolt DIN603 M8x35
14	nut cover M8
15	nut cover cap M8
16	screw 5x40

UNLESS OTHERWISE SPECIFIED:
DIMENSIONS ARE IN MILLIMETERS
WEIGHT ARE IN KILOGRAMM

PART NUMBER / DWG NO.:

LM006

	NAME	SIGNATURE	DATE	REVISION
DRAWN	I. Agar			
APPV'D				

DESCRIPTION:

Play centre Laura
connecting side guard block to post

MATERIAL:

wood, metal, plastic

A4

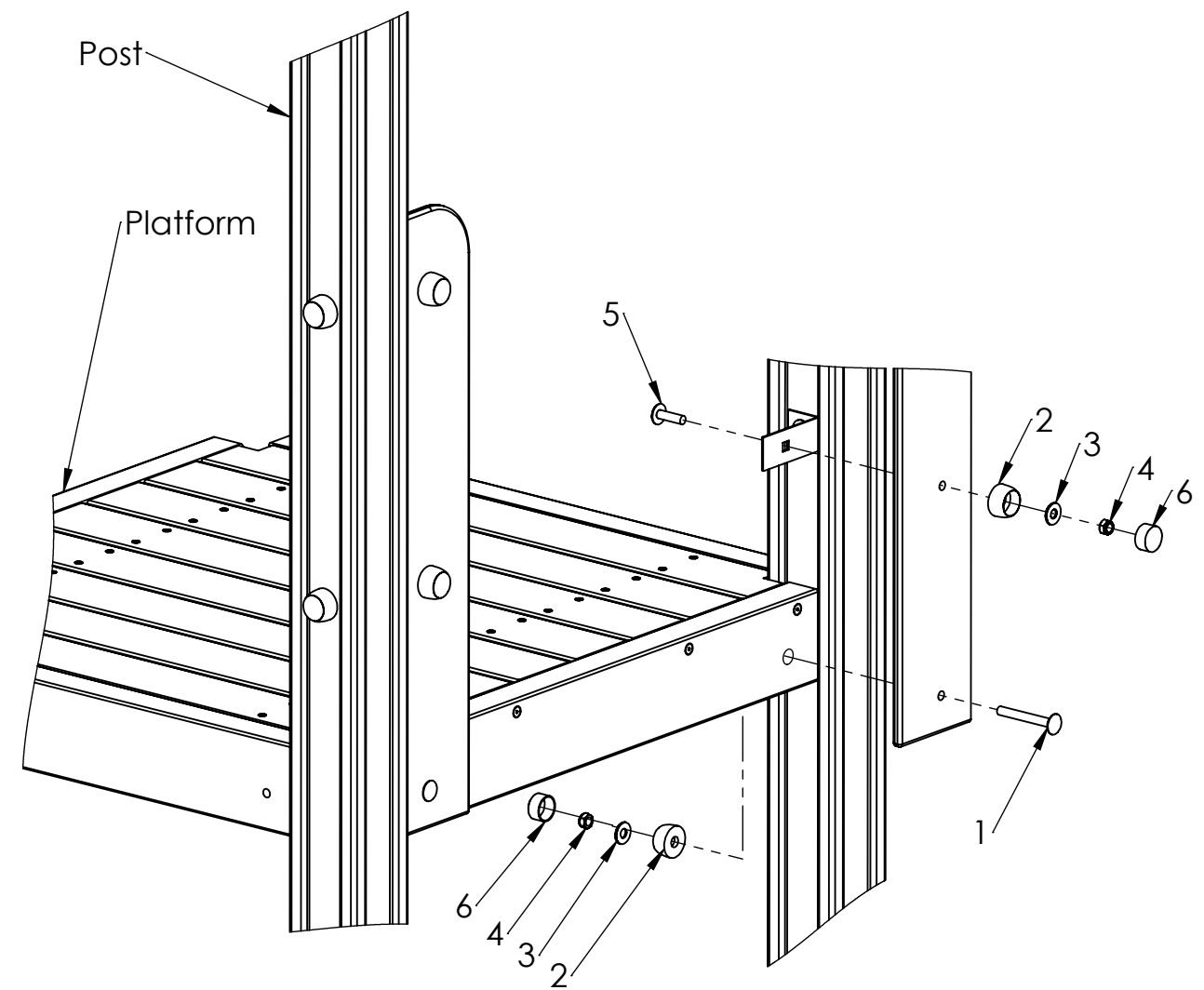
WEIGHT:

SCALE: 1:12

SHEET 20 OF 33



Tiptap OÜ



ITEM NO.	PART NUMBER
1	bolt DIN603 M10x80
2	nut cover M12
3	Washer M10 DIN9054
4	nut DIN985 M10
5	bolt DIN603 M10x35
6	nut cover cap M12

UNLESS OTHERWISE SPECIFIED:
DIMENSIONS ARE IN MILLIMETERS
WEIGHT ARE IN KILOGRAMM

PART NUMBER / DWG NO.:

LM006

	NAME	SIGNATURE	DATE	REVISION
DRAWN	I.Agar		14.11.2022	
APPV'D				

DESCRIPTION:

Play centre Laura
Connecting climbing pole side panel to post

MATERIAL:

wood, metal, plastic

A4

WEIGHT:

SCALE: 1:8

SHEET 21 OF 33



Tiptiptap OÜ

A

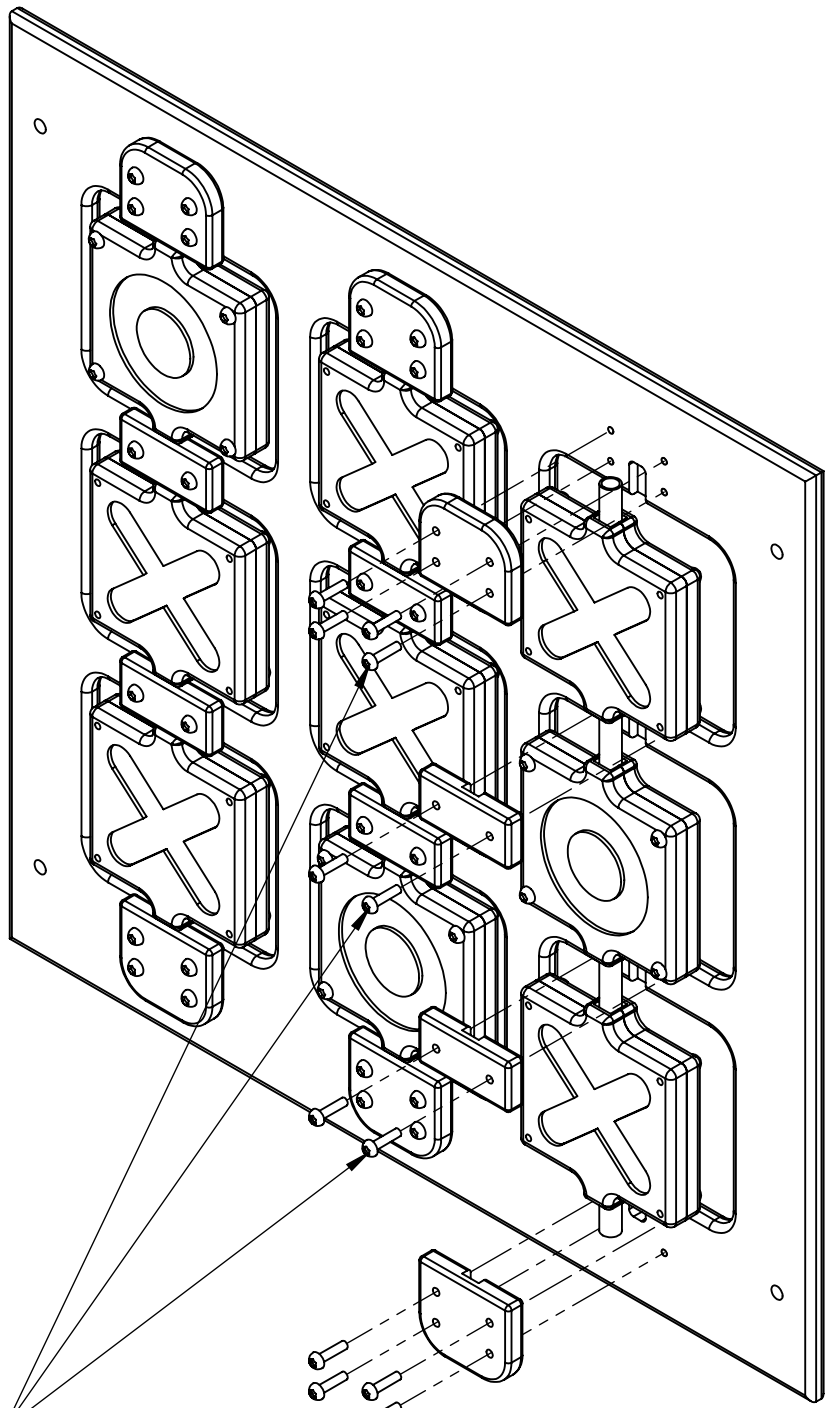
B

C

D

E

F



M6x25 DIN7380

UNLESS OTHERWISE SPECIFIED: DIMENSIONS ARE IN MILLIMETERS WEIGHT ARE IN KILOGRAMM				
	NAME	SIGNATURE	DATE	REVISION
DRAWN	I.Agar		14.11.2022	
APPV'D				

PART NUMBER / DWG NO.:
LM006

DESCRIPTION:
Play centre Laura



MATERIAL:	wood, metal, plastic	A4
WEIGHT:	SCALE: 1:5	SHEET 22 OF 33

A

B

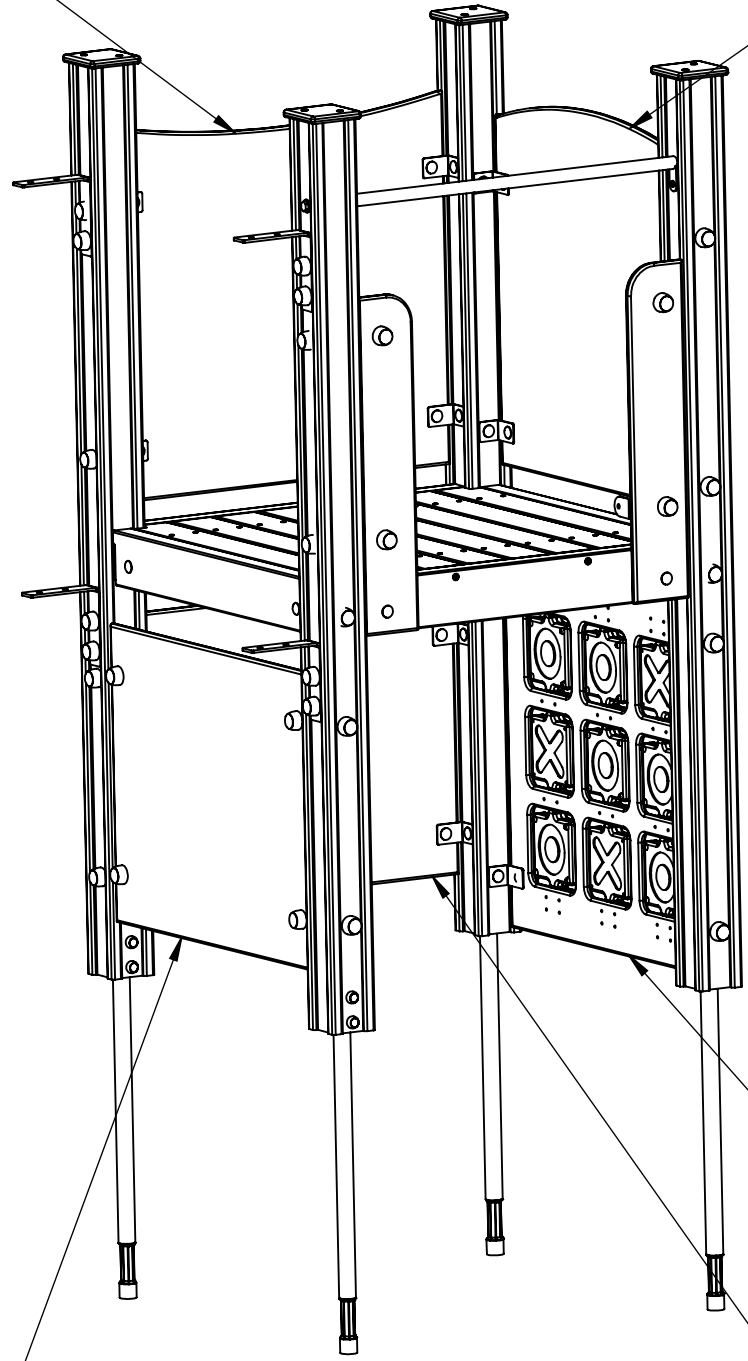
C

D

E

F

Playground upward curved panel, lower hole 70mm
 Playground downward curve panel, lower hole 100mm



Tic-tac-toe

Playground rectangle panel, lower hole 100mm
 Playground rectangle panel, lower hole 85mm, geometry 2

UNLESS OTHERWISE SPECIFIED: DIMENSIONS ARE IN MILLIMETERS WEIGHT ARE IN KILOGRAMM				
	NAME	SIGNATURE	DATE	REVISION
DRAWN	I.Agar		14.11.2022	
APPV'D				

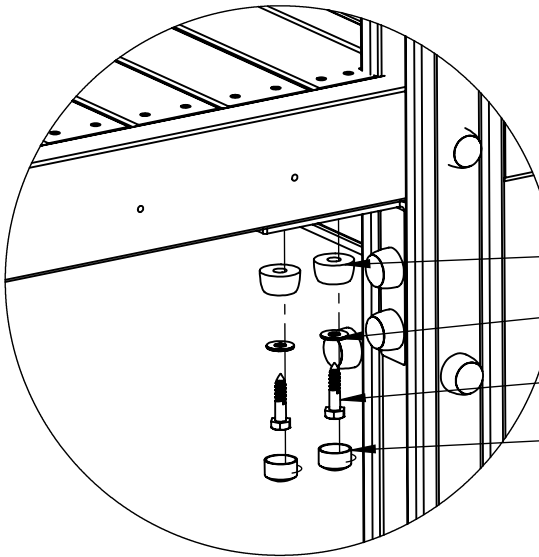
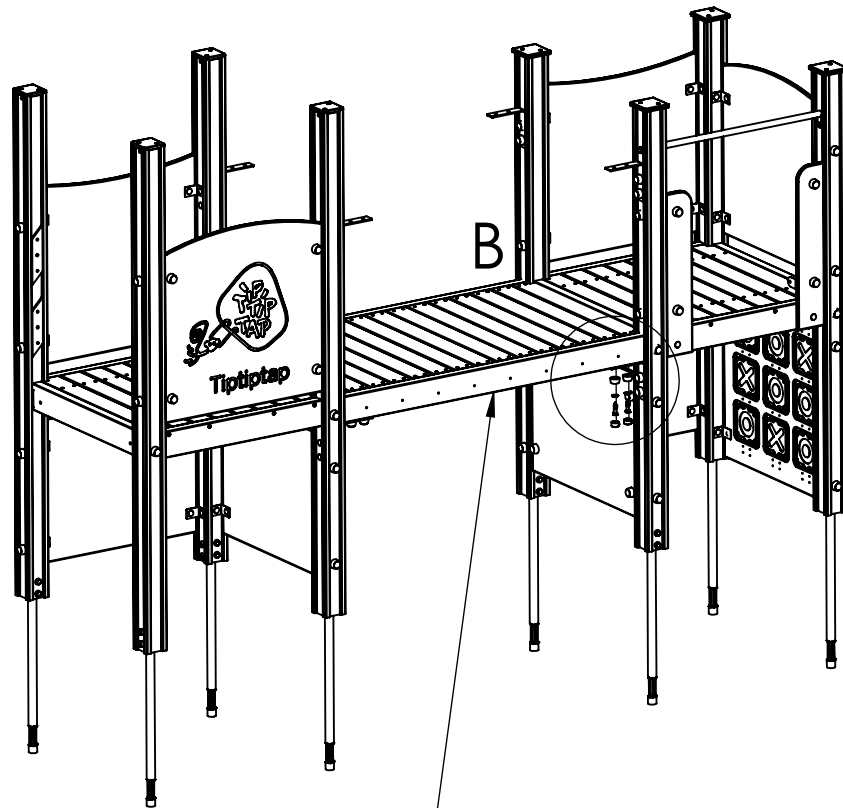
PART NUMBER / DWG NO.:
LM006

DESCRIPTION:
Play centre Laura



MATERIAL:	wood, metal, plastic	A4
WEIGHT:	SCALE: 1:15	SHEET 23 OF 33

DETAIL B SCALE 1 : 7



- M12 Nut cover
- M10 Washer DIN9054
- 10x45 screw DIN571
- M12 Nut cover cap

1463mm Horizontal bridge

UNLESS OTHERWISE SPECIFIED:
DIMENSIONS ARE IN MILLIMETERS
WEIGHT ARE IN KILOGRAMM

PART NUMBER / DWG NO.:
LM006

	NAME	SIGNATURE	DATE	REVISION
DRAWN	I.Agar		14.11.2022	
APPV'D				

DESCRIPTION:
Play centre Laura



MATERIAL: wood, metal, plastic A4

WEIGHT: SCALE: 1:30 SHEET 24 OF 33

1

2

3

4

5

6

DETAIL C SCALE 1 : 10

45x110x1463 handrail board with cut

M8x90 bolt DIN603

M8 washer DIN9021

M8 Nut cover

M8 Nut DIN985

M8 Nut cover cap

Cut is in this place

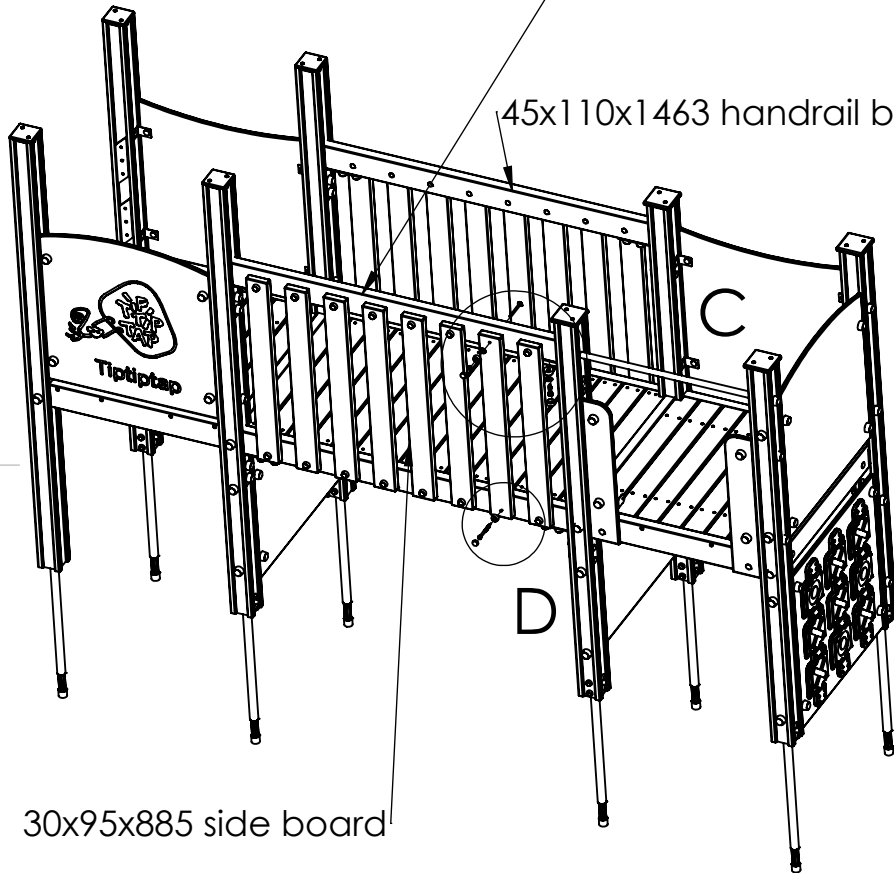
45x110x1463 handrail board

M12 Nut cover

M10 Washer DIN9054

10x45 screw DIN571

M12 Nut cover cap



M8 Nut cover
8x100 screw DIN571

M8 Nut cover cap

DETAIL D SCALE 1 : 10

30x95x885 side board

UNLESS OTHERWISE SPECIFIED:
DIMENSIONS ARE IN MILLIMETERS
WEIGHT ARE IN KILOGRAMM

PART NUMBER / DWG NO.:

LM006

	NAME	SIGNATURE	DATE	REVISION
DRAWN	I.Agar		14.11.2022	
APPV'D				

DESCRIPTION:

Play centre Laura

MATERIAL:

wood, metal, plastic

A4

WEIGHT:

SCALE: 1:30

SHEET 25 OF 33



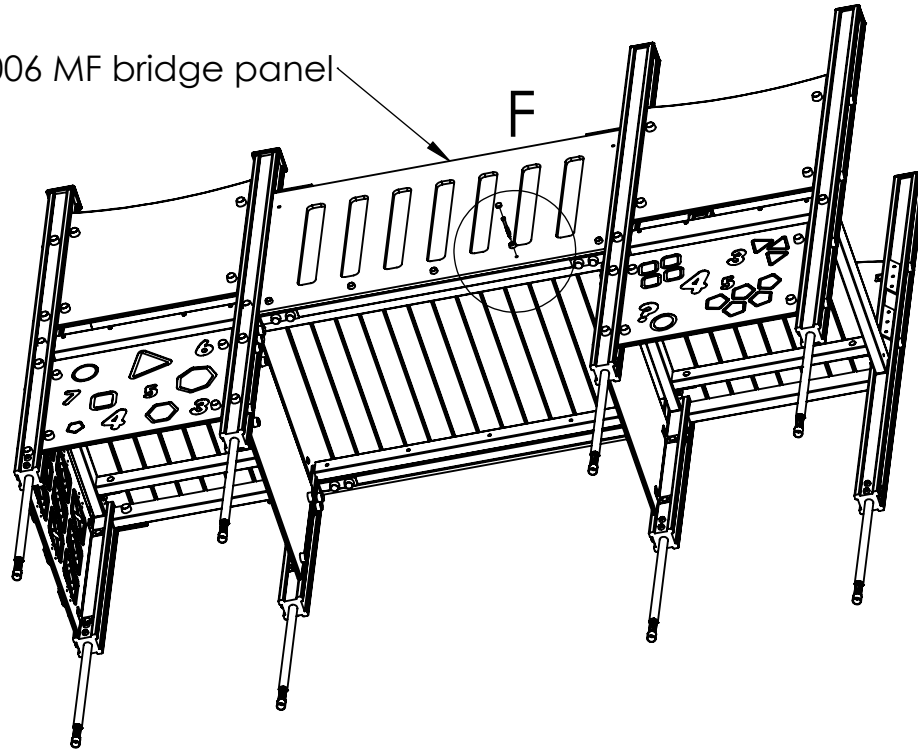
Tiptaptap OÜ

1

2

MF version!!

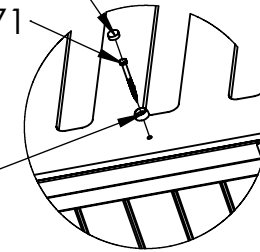
LM006 MF bridge panel



M8 Nut cover cap

8x100 screw DIN571

M8 Nut cover



DETAIL F
SCALE 1 : 15

UNLESS OTHERWISE SPECIFIED:
DIMENSIONS ARE IN MILLIMETERS
WEIGHT ARE IN KILOGRAMM

PART NUMBER / DWG NO.:

LM006

	NAME	SIGNATURE	DATE	REVISION
DRAWN	I.Agar		14.11.2022	
APPV'D				

DESCRIPTION:

Play centre Laura

MATERIAL:

wood, metal, plastic

A4

WEIGHT:

SCALE: 1:30

SHEET 26 OF 33



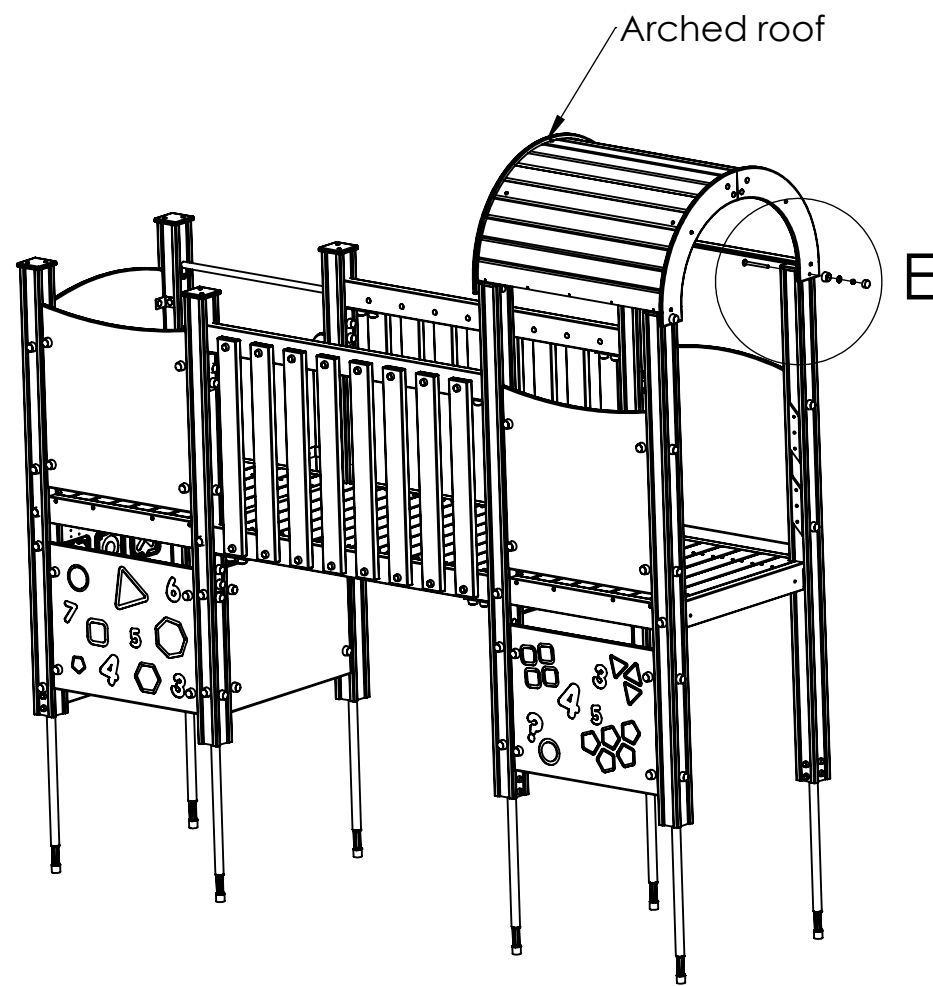
Tiptap^{OU}

1 2 3 4 5 6

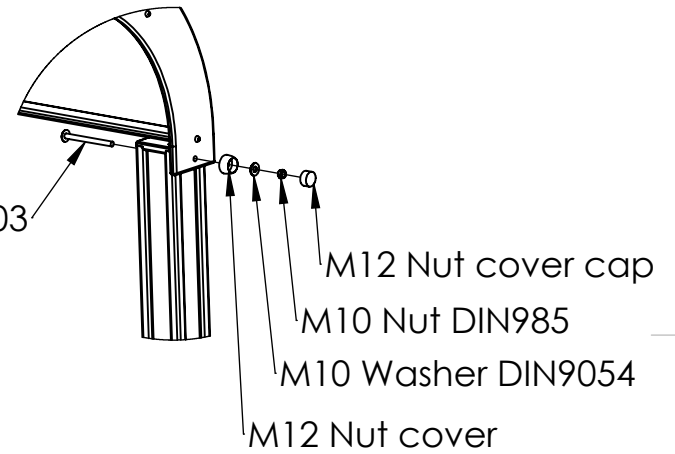
A

A

DETAIL E SCALE 1 : 15



M10x120 bolt DIN603



M12 Nut cover cap

M10 Nut DIN985

M10 Washer DIN9054

M12 Nut cover

B

B

C

C

D

UNLESS OTHERWISE SPECIFIED:
DIMENSIONS ARE IN MILLIMETERS
WEIGHT ARE IN KILOGRAMM

PART NUMBER / DWG NO.:
LM006

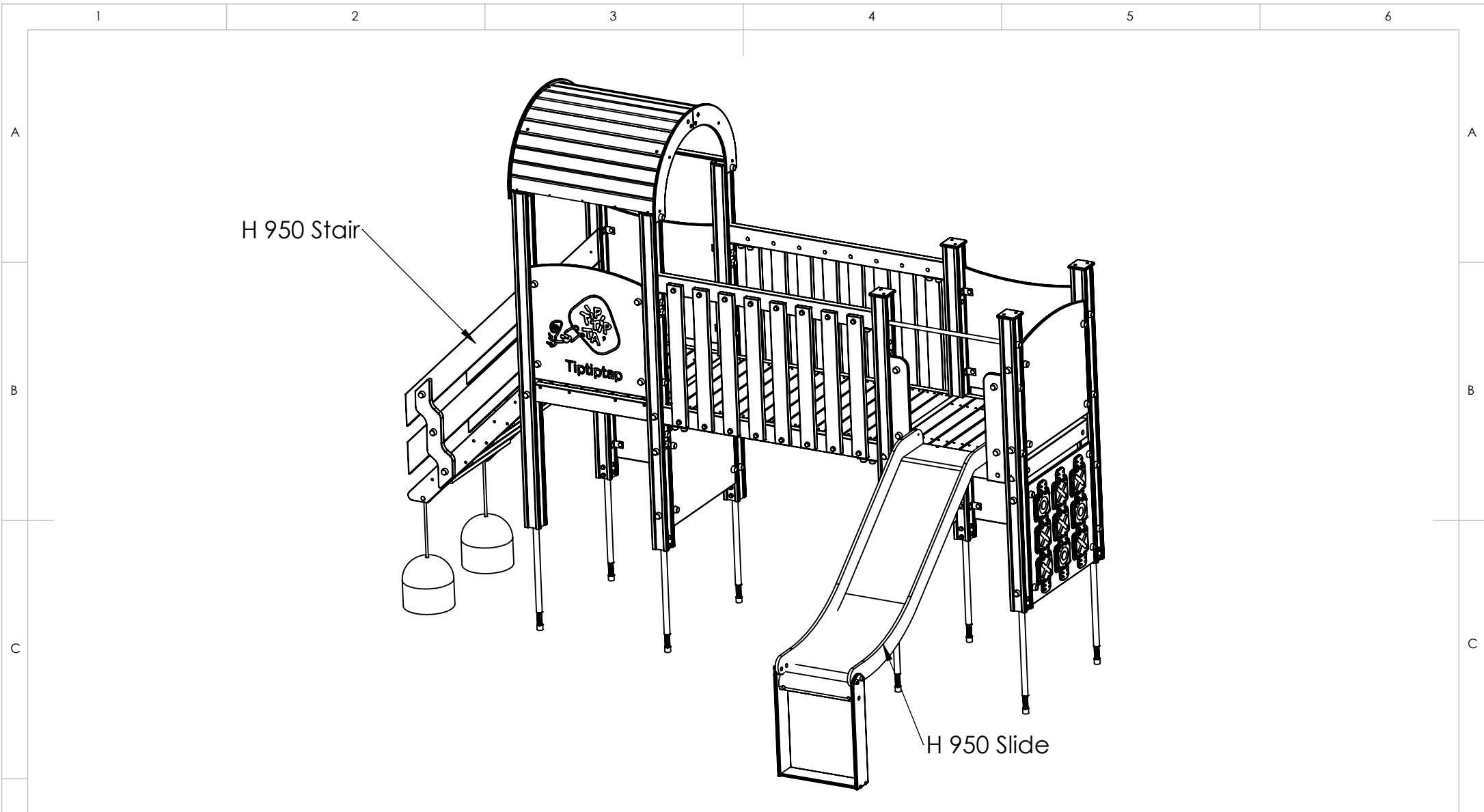
	NAME	SIGNATURE	DATE	REVISION
DRAWN	I.Agar		14.11.2022	
APPV'D				

DESCRIPTION:
Play centre Laura



MATERIAL:	wood, metal, plastic	A4
WEIGHT:		SCALE: 1:30
		SHEET 27 OF 33

1 2



UNLESS OTHERWISE SPECIFIED:
 DIMENSIONS ARE IN MILLIMETERS
 WEIGHT ARE IN KILOGRAMM

PART NUMBER / DWG NO.:
LM006

	NAME	SIGNATURE	DATE	REVISION
DRAWN	I.Agar		14.11.2022	
APPV'D				

DESCRIPTION:
Play centre Laura



MATERIAL:	wood, metal, plastic	A4
WEIGHT:		SCALE: 1:30
		SHEET 28 OF 33

Stair to post and platform assembly

A

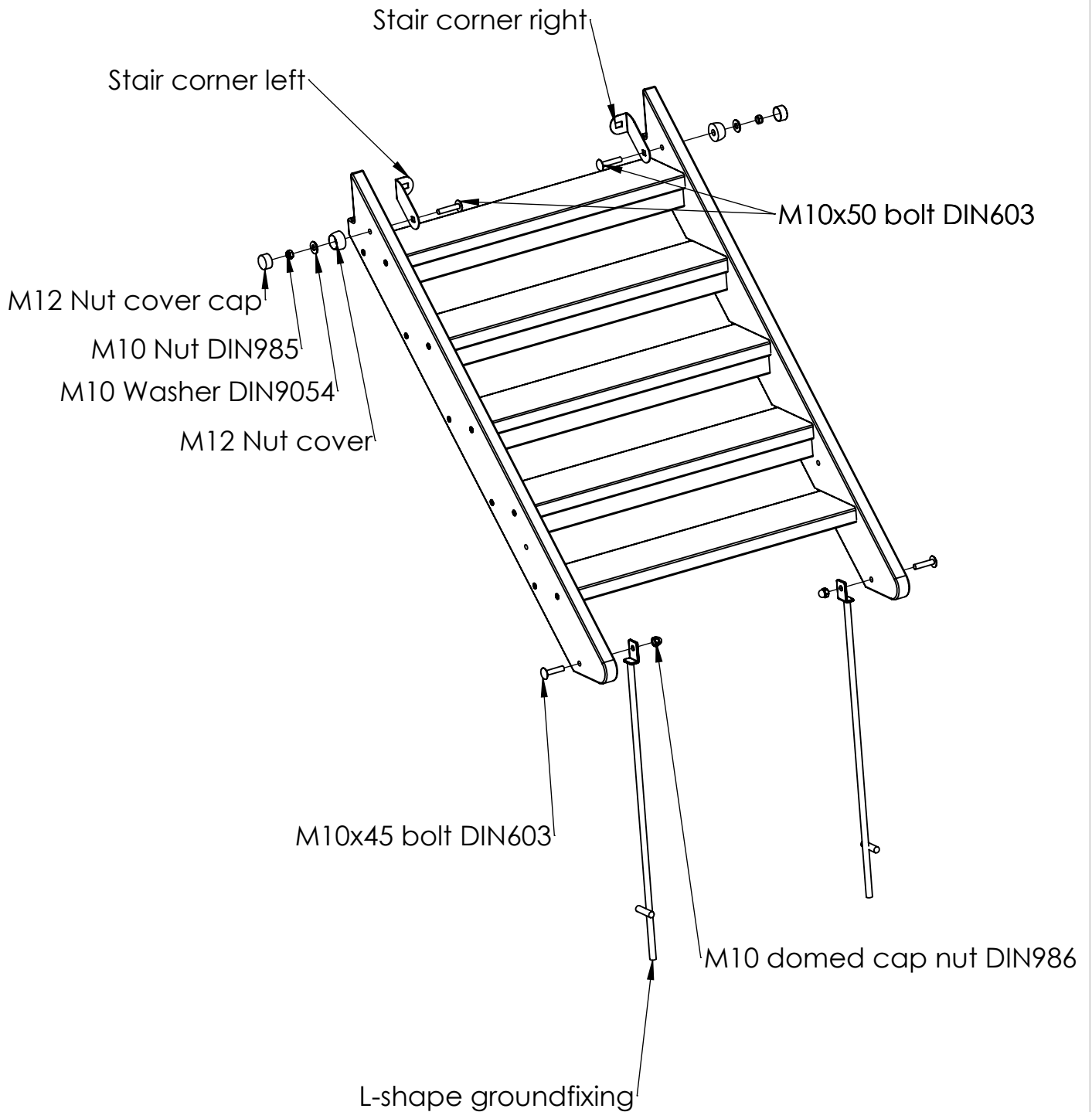
B

C

D

E

F



UNLESS OTHERWISE SPECIFIED:
 DIMENSIONS ARE IN MILLIMETERS
 WEIGHT ARE IN KILOGRAMM

PART NUMBER / DWG NO.:
LM006

	NAME	SIGNATURE	DATE	REVISION
DRAWN	I.Agar		14.11.2022	
APPV'D				

DESCRIPTION:
Play centre Laura



MATERIAL:	wood, metal, plastic	A4
WEIGHT:		SCALE: 1:12
		SHEET 29 OF 33

Stair to post and platform assembly

A

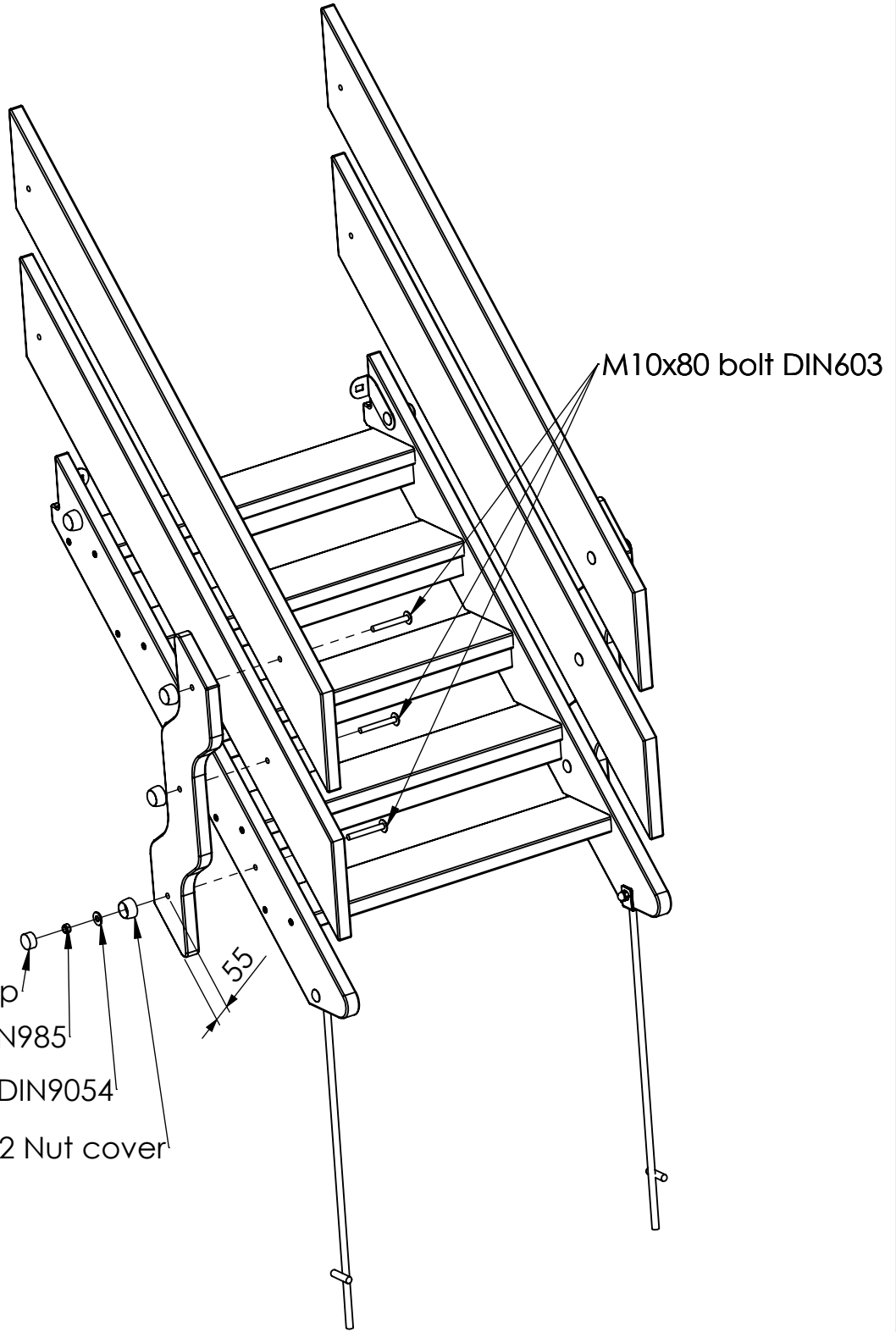
B

C

D

E

F



M12 Nut cover cap
 M10 Nut DIN985
 M10 Washer DIN9054
 M12 Nut cover

UNLESS OTHERWISE SPECIFIED:
 DIMENSIONS ARE IN MILLIMETERS
 WEIGHT ARE IN KILOGRAMM

	NAME	SIGNATURE	DATE	REVISION
DRAWN	I.Agar		14.11.2022	
APPV'D				

PART NUMBER / DWG NO.:	LM006
DESCRIPTION:	Play centre Laura



MATERIAL:	wood, metal, plastic	A4
WEIGHT:	SCALE: 1:12	SHEET 30 OF 33

Stair to post and platform assembly

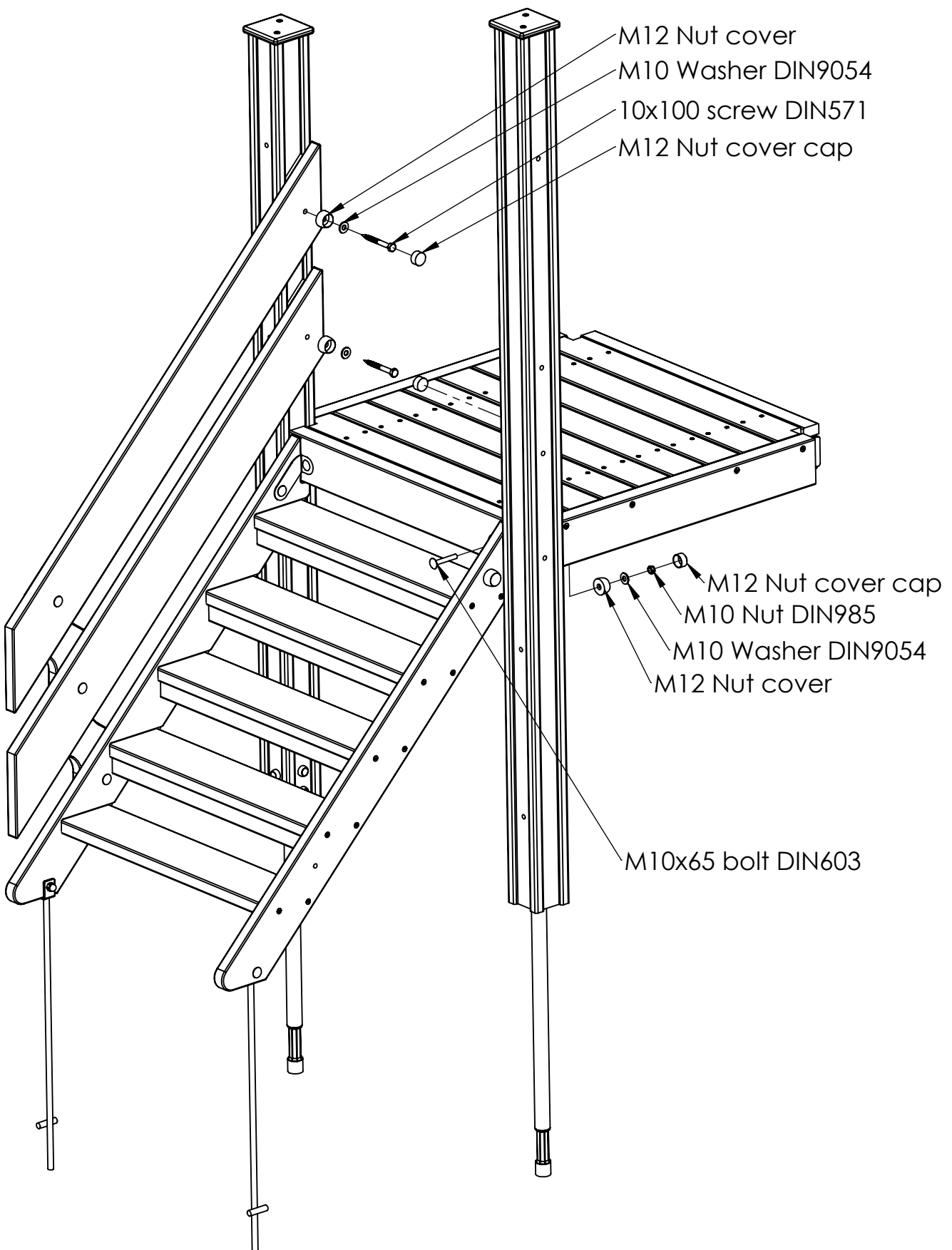
A

B

C

D

E



UNLESS OTHERWISE SPECIFIED:
 DIMENSIONS ARE IN MILLIMETERS
 WEIGHT ARE IN KILOGRAMM

PART NUMBER / DWG NO.:
LM006

	NAME	SIGNATURE	DATE	REVISION
DRAWN	I.Agar		14.11.2022	
APPV'D				

DESCRIPTION:
Play centre Laura



MATERIAL:	wood, metal, plastic	A4
WEIGHT:		SCALE: 1:12
		SHEET 31 OF 33

MF version!

A

B

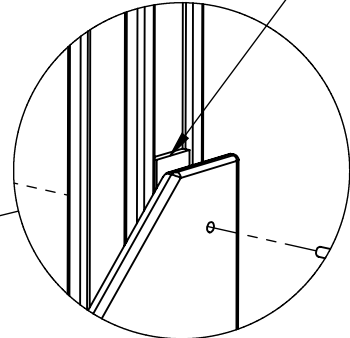
C

D

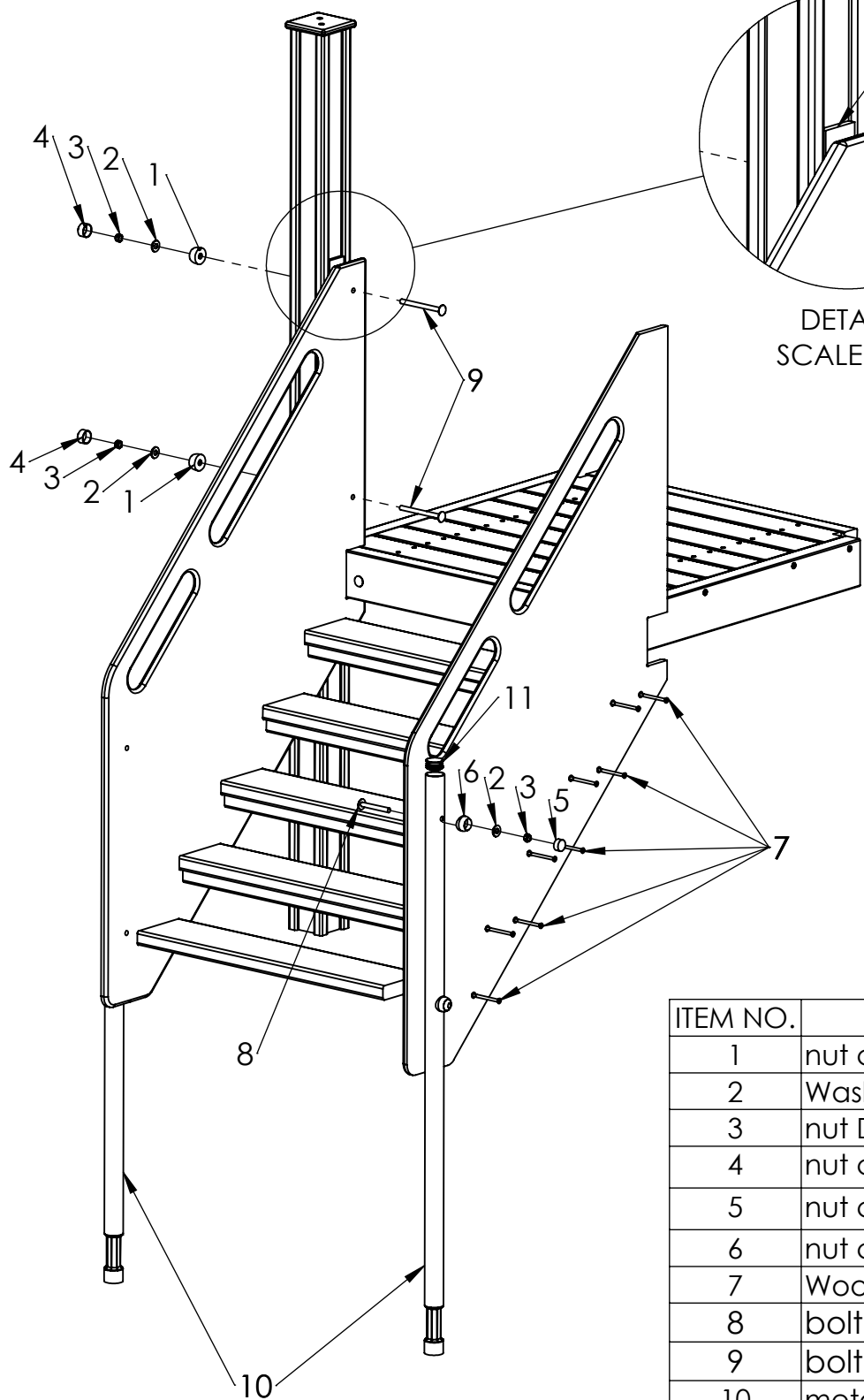
E

F

Gap filling



DETAIL A
SCALE 2 : 15



ITEM NO.	PART NUMBER
1	nut cover M12
2	Washer M10 DIN9054
3	nut DIN985 M10
4	nut cover cap M12
5	nut cover cap M10
6	nut cover for beam M10
7	Woodscrew 6 x 90
8	bolt DIN603 M10x80
9	bolt DIN603 M10x120
10	metal ground fixing L_1345
11	plastic cap

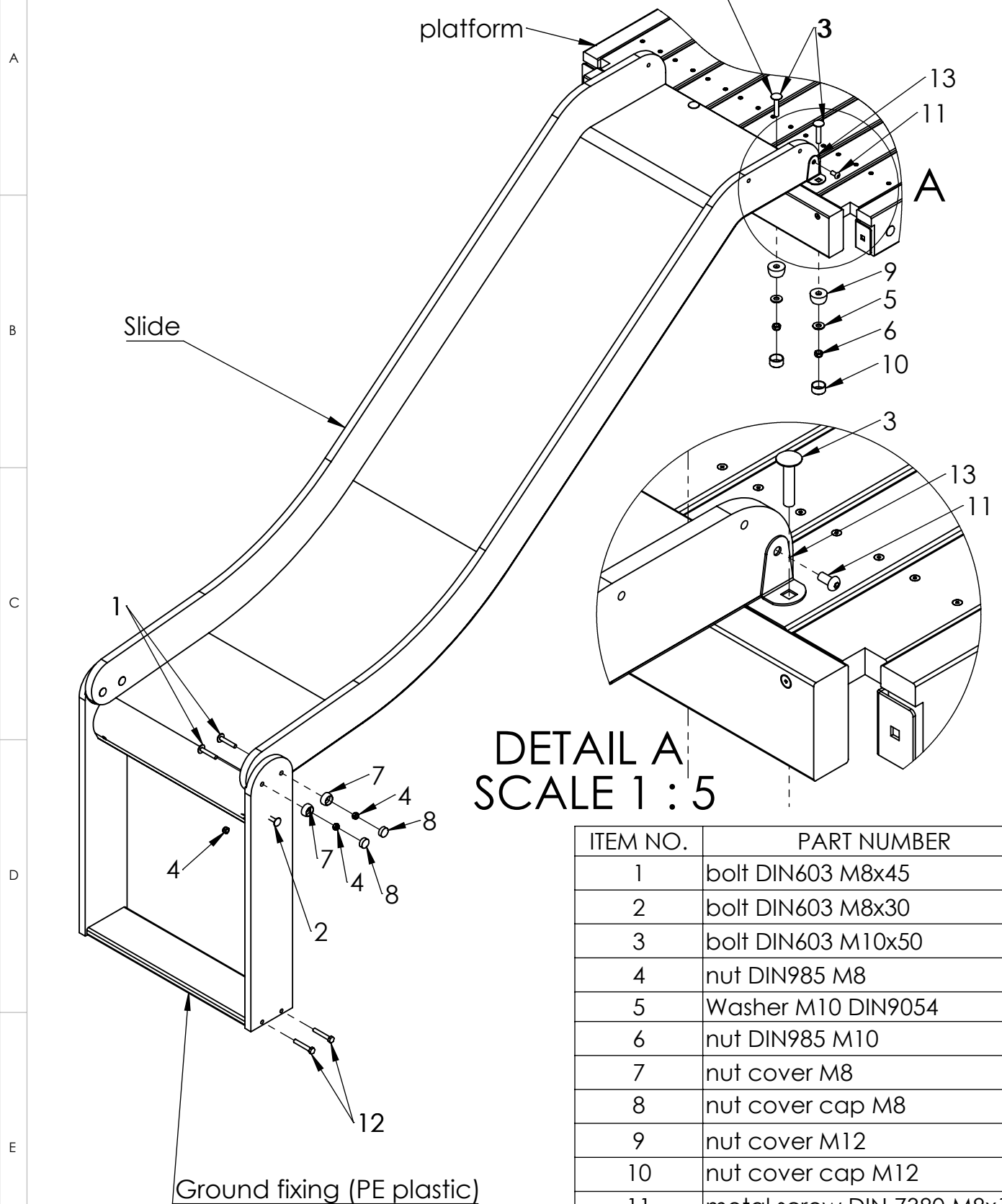
UNLESS OTHERWISE SPECIFIED: DIMENSIONS ARE IN MILLIMETERS WEIGHT ARE IN KILOGRAMM				
	NAME	SIGNATURE	DATE	REVISION
DRAWN	I.Agar		14.11.2022	
APPV'D				

PART NUMBER / DWG NO.:	LM006
DESCRIPTION:	Play centre Laura Connecting stairs to post



MATERIAL:	wood, metal, plastic	A4
WEIGHT:		SCALE: 1:15
		SHEET 32 OF 33

In the case of a plastic slide, this bolt is M10x60 DIN603



DETAIL A
SCALE 1 : 5

ITEM NO.	PART NUMBER
1	bolt DIN603 M8x45
2	bolt DIN603 M8x30
3	bolt DIN603 M10x50
4	nut DIN985 M8
5	Washer M10 DIN9054
6	nut DIN985 M10
7	nut cover M8
8	nut cover cap M8
9	nut cover M12
10	nut cover cap M12
11	metal screw DIN 7380 M8x16
12	bolt DIN933 M8x50
13	metal corner for slide

UNLESS OTHERWISE SPECIFIED:
DIMENSIONS ARE IN MILLIMETERS
WEIGHT ARE IN KILOGRAMM

PART NUMBER / DWG NO.:

LM006

	NAME	SIGNATURE	DATE	REVISION
DRAWN	I.Agar		14.11.2022	
APPV'D				

DESCRIPTION:

Play centre Laura
connecting slide to platform

MATERIAL:

wood, metal, plastic

A4

WEIGHT:

SCALE: 1:12

SHEET 33 OF 33



Tiptap OÜ