

A

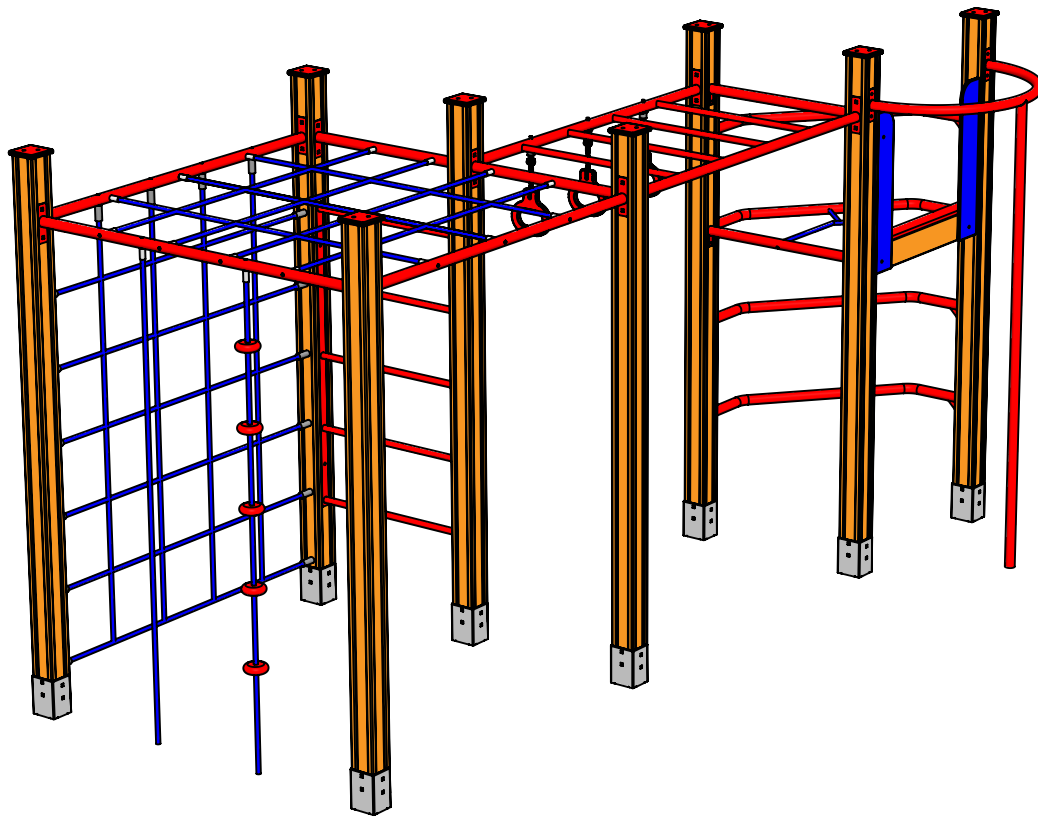
B

C

D

E

F



UNLESS OTHERWISE SPECIFIED:
 DIMENSIONS ARE IN MILLIMETERS
 WEIGHT ARE IN KILOGRAMM

PART NUMBER / DWG NO.:

RS123 MF

	NAME	SIGNATURE	DATE	REVISION
DRAWN	M.Rebase		17.08.2020	
APPV'D				

DESCRIPTION:

Climbing Frame MACACO



Tiptaptap OÜ

Tiptaptap OÜ
 Veetorni 9,
 Jüri alevik, Rae vald,
 75301 Harjumaa

MATERIAL:

wood, metal, plastic

A4

WEIGHT:

SCALE: 1:25

SHEET 1 OF 22

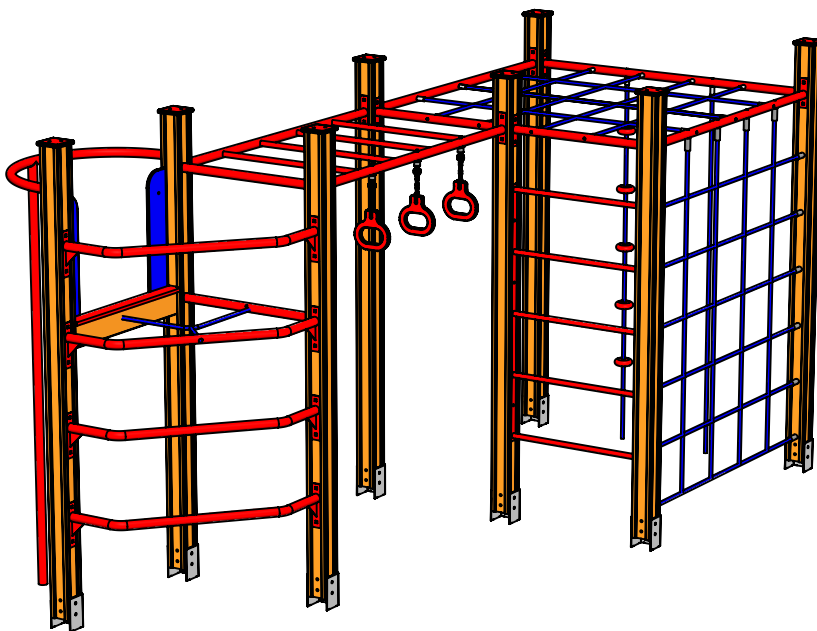
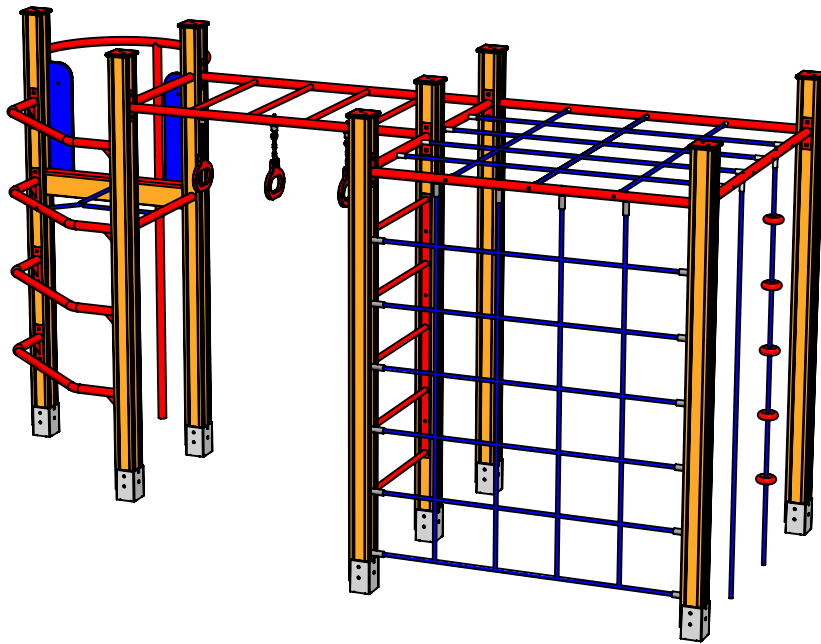
A

B

C

D

E



UNLESS OTHERWISE SPECIFIED:
 DIMENSIONS ARE IN MILLIMETERS
 WEIGHT ARE IN KILOGRAMM

PART NUMBER / DWG NO.:

RS123 MF

	NAME	SIGNATURE	DATE	REVISION
DRAWN	M.Rebase		17.08.2020	
APPV'D				

DESCRIPTION:

Climbing Frame MACACO

F



Tiptiptap OÜ

Tiptiptap OÜ
 Veetorni 9,
 Jüri alevik, Rae vald,
 75301 Harjumaa

MATERIAL:

wood, metal, plastic

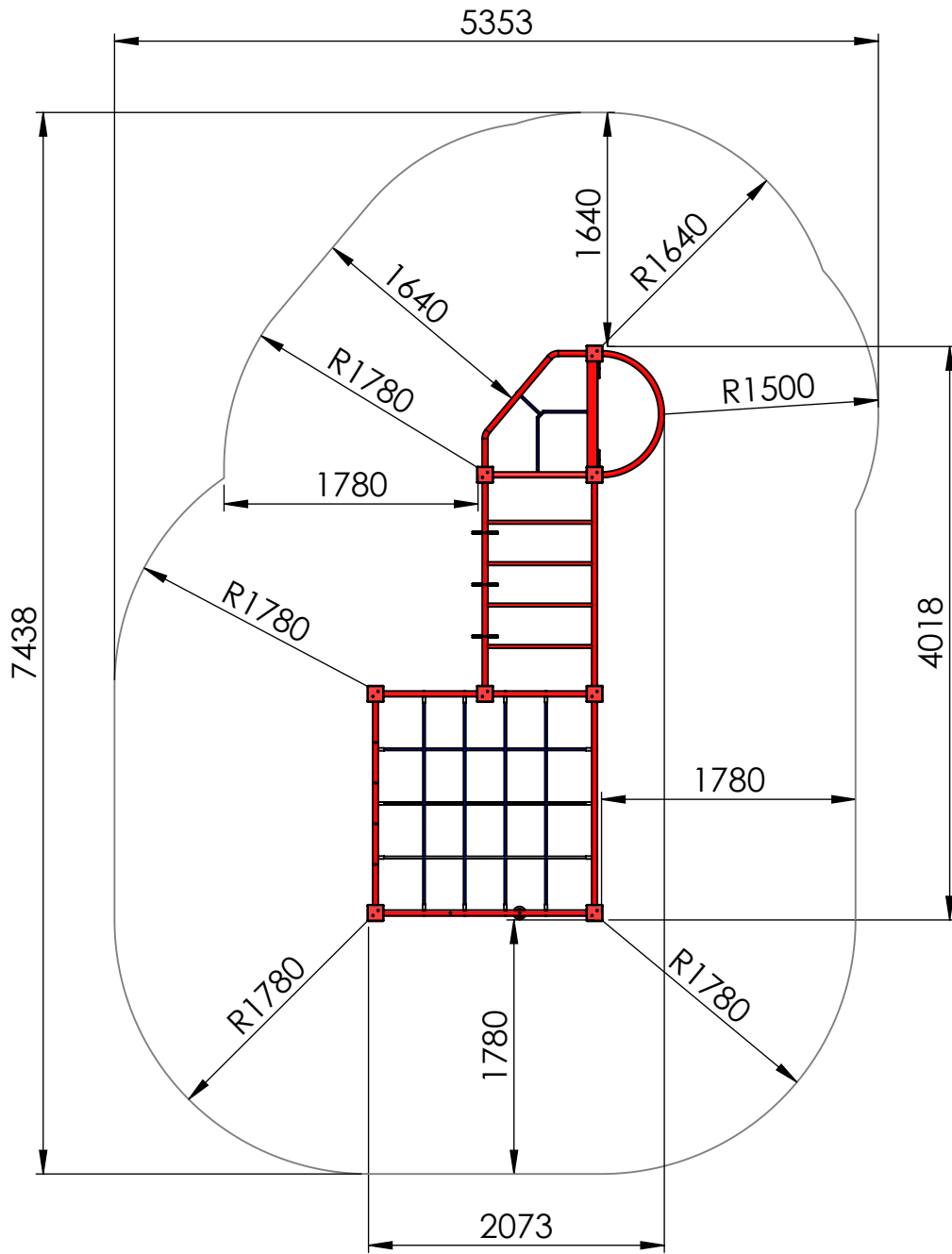
A4

WEIGHT:

SCALE: 1:30

SHEET 2 OF 22

safety area



depth of foundation 600mm

UNLESS OTHERWISE SPECIFIED:
DIMENSIONS ARE IN MILLIMETERS
WEIGHT ARE IN KILOGRAMM

PART NUMBER / DWG NO.:

RS123 MF

	NAME	SIGNATURE	DATE	REVISION
DRAWN	M.Rebase		17.08.2020	
APPV'D				

DESCRIPTION:

Climbing Frame MACACO



Tiptaptap OÜ

Tiptaptap OÜ
Veetorni 9,
Jüri alevik, Rae vald,
75301 Harjumaa

MATERIAL:

wood, metal, plastic

A4

WEIGHT:

SCALE: 1:50

SHEET 3 OF 22

foundation

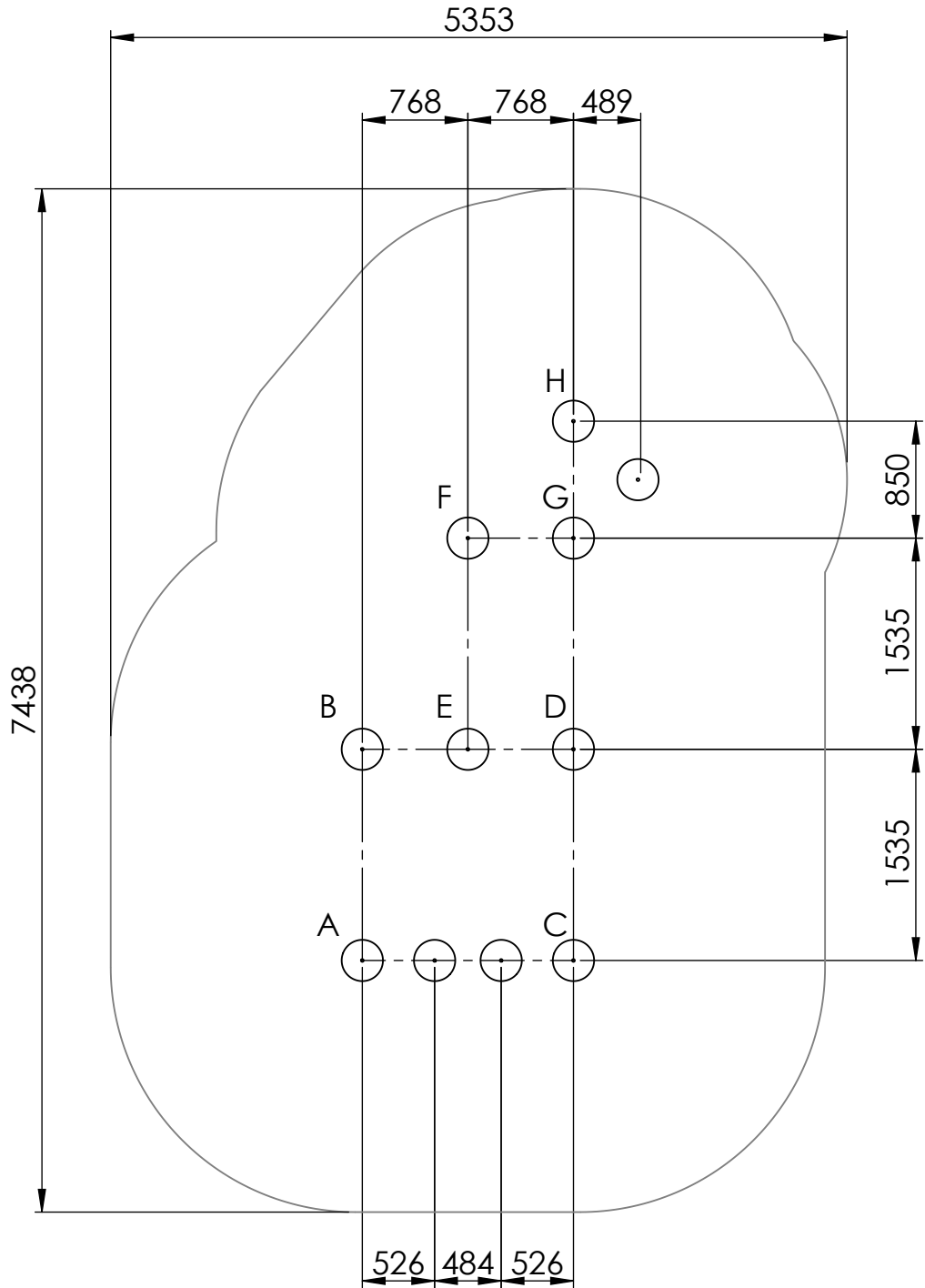
A

B

C

D

E



UNLESS OTHERWISE SPECIFIED:
DIMENSIONS ARE IN MILLIMETERS
WEIGHT ARE IN KILOGRAMM

PART NUMBER / DWG NO.:

RS123 MF

	NAME	SIGNATURE	DATE	REVISION
DRAWN	M.Rebase		17.08.2020	
APPV'D				

DESCRIPTION:

Climbing Frame MACACO



Tiptaptap OÜ

Tiptaptap OÜ
Veetorni 9,
Jüri alevik, Rae vald,
75301 Harjumaa

MATERIAL:

wood, metal, plastic

A4

WEIGHT:

SCALE: 1:50

SHEET 4 OF 22

A

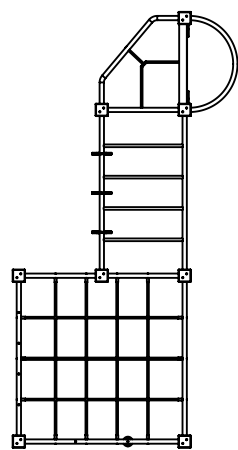
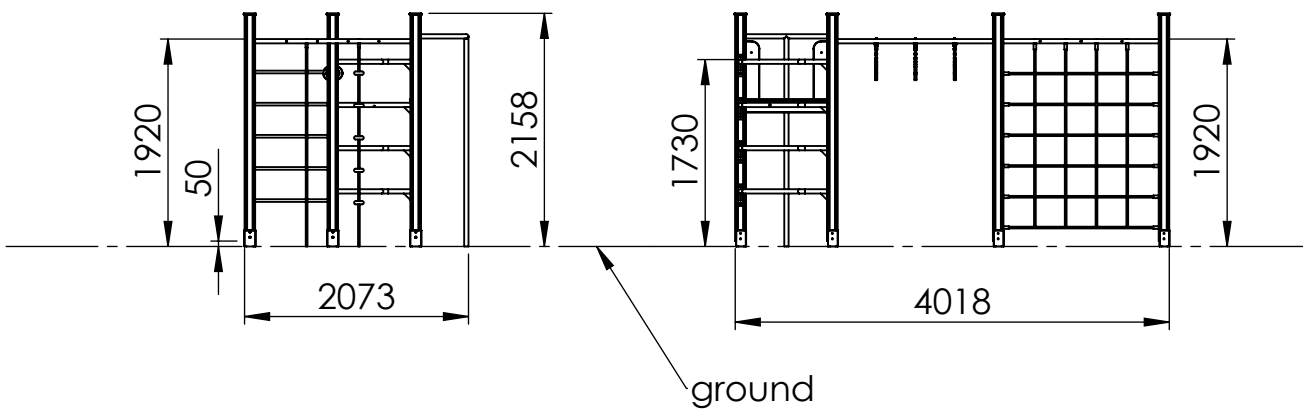
B

C

D

E

F



UNLESS OTHERWISE SPECIFIED:
DIMENSIONS ARE IN MILLIMETERS
WEIGHT ARE IN KILOGRAMM

	NAME	SIGNATURE	DATE	REVISION
DRAWN	M.Rebase		17.08.2020	
APPV'D				

PART NUMBER / DWG NO.:
RS123 MF

DESCRIPTION:
Climbing Frame MACACO



Tiptaptap OÜ
Veetorni 9,
Jüri alevik, Rae vald,
75301 Harjumaa

MATERIAL:	wood, metal, plastic	A4
WEIGHT:	SCALE: 1:70	SHEET 5 OF 22

A

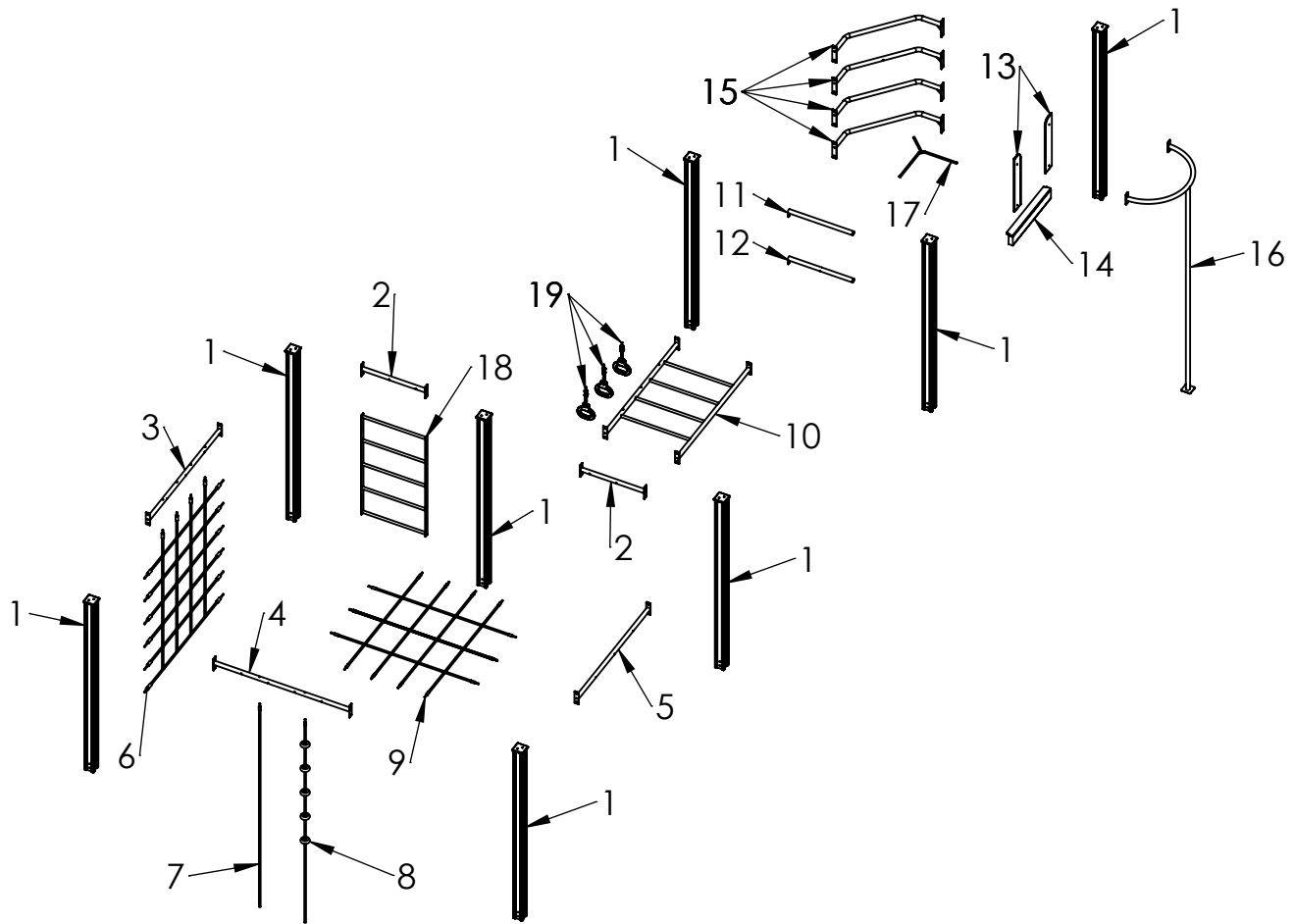
B

C

D

E

F



UNLESS OTHERWISE SPECIFIED:
 DIMENSIONS ARE IN MILLIMETERS
 WEIGHT ARE IN KILOGRAMM

PART NUMBER / DWG NO.:

RS123 MF

	NAME	SIGNATURE	DATE	REVISION
DRAWN	M.Rebase		17.08.2020	
APPV'D				

DESCRIPTION:

Climbing Frame MACACO



Tiptaptap OÜ

Tiptaptap OÜ
 Veetorni 9,
 Jüri alevik, Rae vald,
 75301 Harjumaa

MATERIAL:

wood, metal, plastic

A4

WEIGHT:

SCALE: 1:70

SHEET 6 OF 22

ITEM NO.	PART NUMBER	DESCRIPTION	QTY.
1	post 98x98x2100 with top cover	laminated wood	8
2	beam ϕ 40x2x687	painted steel	2
3	beam ϕ 40x2x1455, 7 holes	painted steel	1
4	beam ϕ 40x2x1455, 6 holes	painted steel	1
5	beam ϕ 40x2x1455, 3 holes	painted steel	1
6	climbing net ϕ 16x1455x1705	PP covered steel wire	1
7	climbing rope ϕ 16x2400	PP covered steel wire	2
8	climbing rope ϕ 16x2400 with knots	PP covered steel wire	5
9	climbing net ϕ 16x1495x1495	PP covered steel wire	8
10	ladder with hanging rings, ϕ 40x2, ϕ 25x2, 812x1455	painted steel	1
11	guardrail ϕ 25x2x770	painted steel	1
12	guardrail ϕ 25x2x770, 1hole	painted steel	1
13	panel 126x12x850	plywood	2
14	beam 45x110x770	laminated wood	1
15	beam ϕ 40x2x1120	painted steel	4
16	climbing pole ϕ 40x2, 445x895x2745	painted steel	1
17	climbing net ϕ 16x470x530	PP covered steel wire	1
18	ladder_vertical 687x1240	painted steel	1
19	hanging ring	HDPE plastic, metal	3



UNLESS OTHERWISE SPECIFIED:
DIMENSIONS ARE IN MILLIMETERS
WEIGHT ARE IN KILOGRAMM

PART NUMBER / DWG NO.:
RS123 MF

	NAME	SIGNATURE	DATE	REVISION
DRAWN	M.Rebase		17.08.2020	
APPV'D				

DESCRIPTION:
Climbing Frame MACACO



Tiptiptap OÜ
Veetorni 9,
Jüri alevik, Rae vald,
75301 Harjumaa

MATERIAL:	wood, metal, plastic	A4
WEIGHT:		SCALE: 1:15
		SHEET 7 OF 22

A

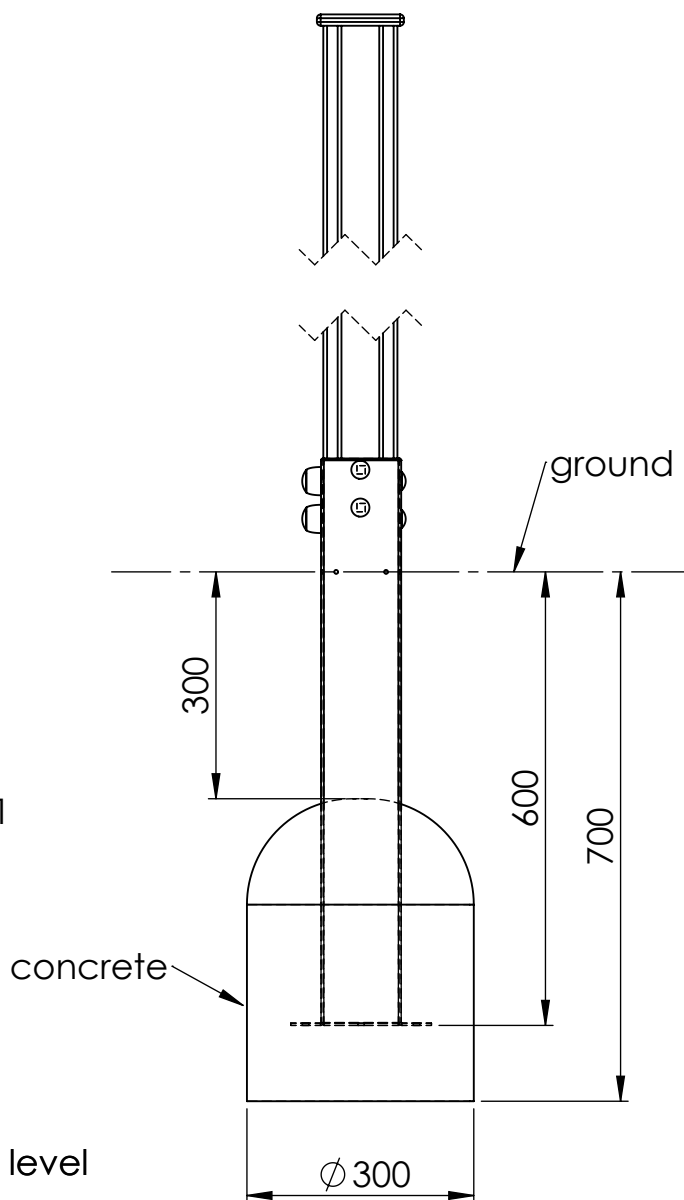
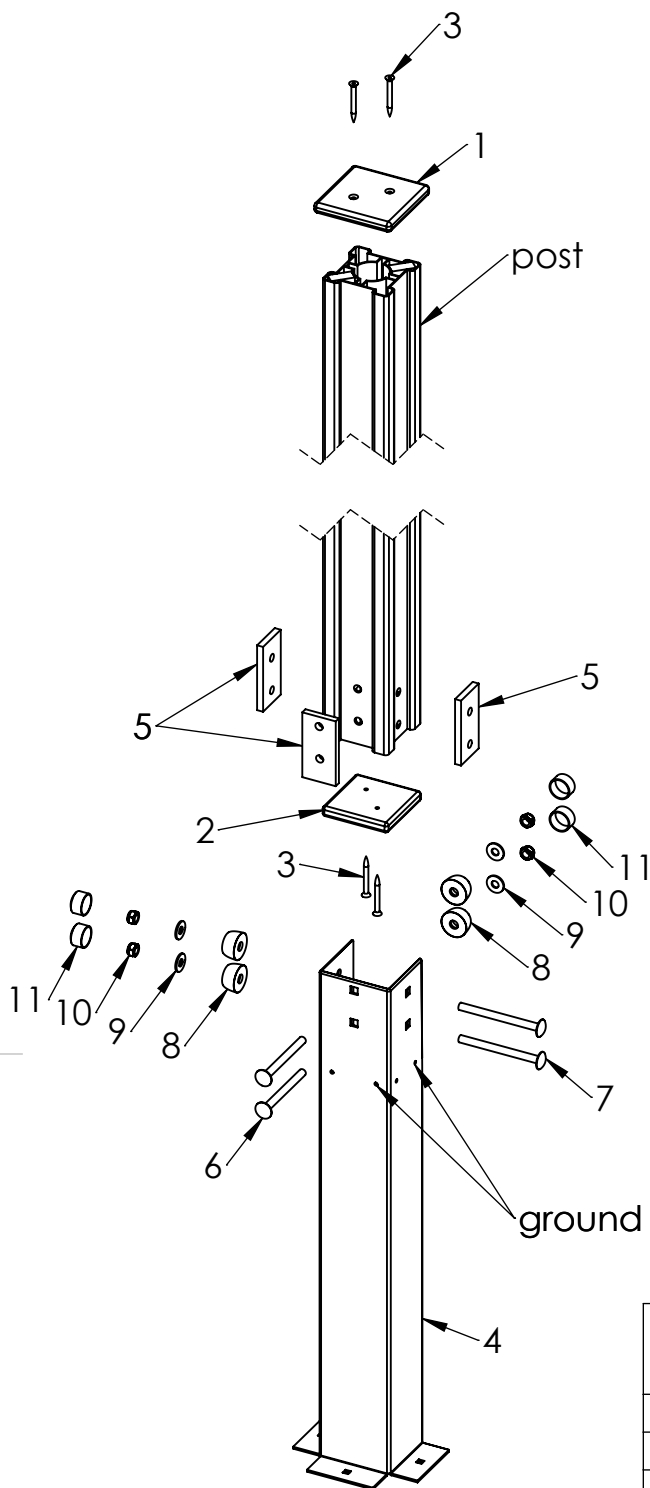
B

C

D

E

F



ITEM NO.	PART NUMBER
1	plastic cap 115x115
2	plastic cap 98x98
3	wood screw 6 x 60
4	ground fixture
5	plastic detail for ground fixing
6	bolt M10x110 DIN603
7	bolt M10x120 DIN603
8	nut cover M12
9	washer M10 DIN9054
10	nut M10 DIN985
11	nut cover cap M12

UNLESS OTHERWISE SPECIFIED:
DIMENSIONS ARE IN MILLIMETERS
WEIGHT ARE IN KILOGRAMM

PART NUMBER / DWG NO.:

RS123 MF

	NAME	SIGNATURE	DATE	REVISION
DRAWN	M.Rebase		17.08.2020	
APPV'D				

DESCRIPTION:

Climbing Frame MACACO



Tiptaptap OÜ

Tiptaptap OÜ
Veetorni 9,
Jüri alevik, Rae vald,
75301 Harjumaa

MATERIAL:

wood, metal, plastic

A4

WEIGHT:

SCALE: 1:10

SHEET 8 OF 22

A

The tubes have to be at the same height

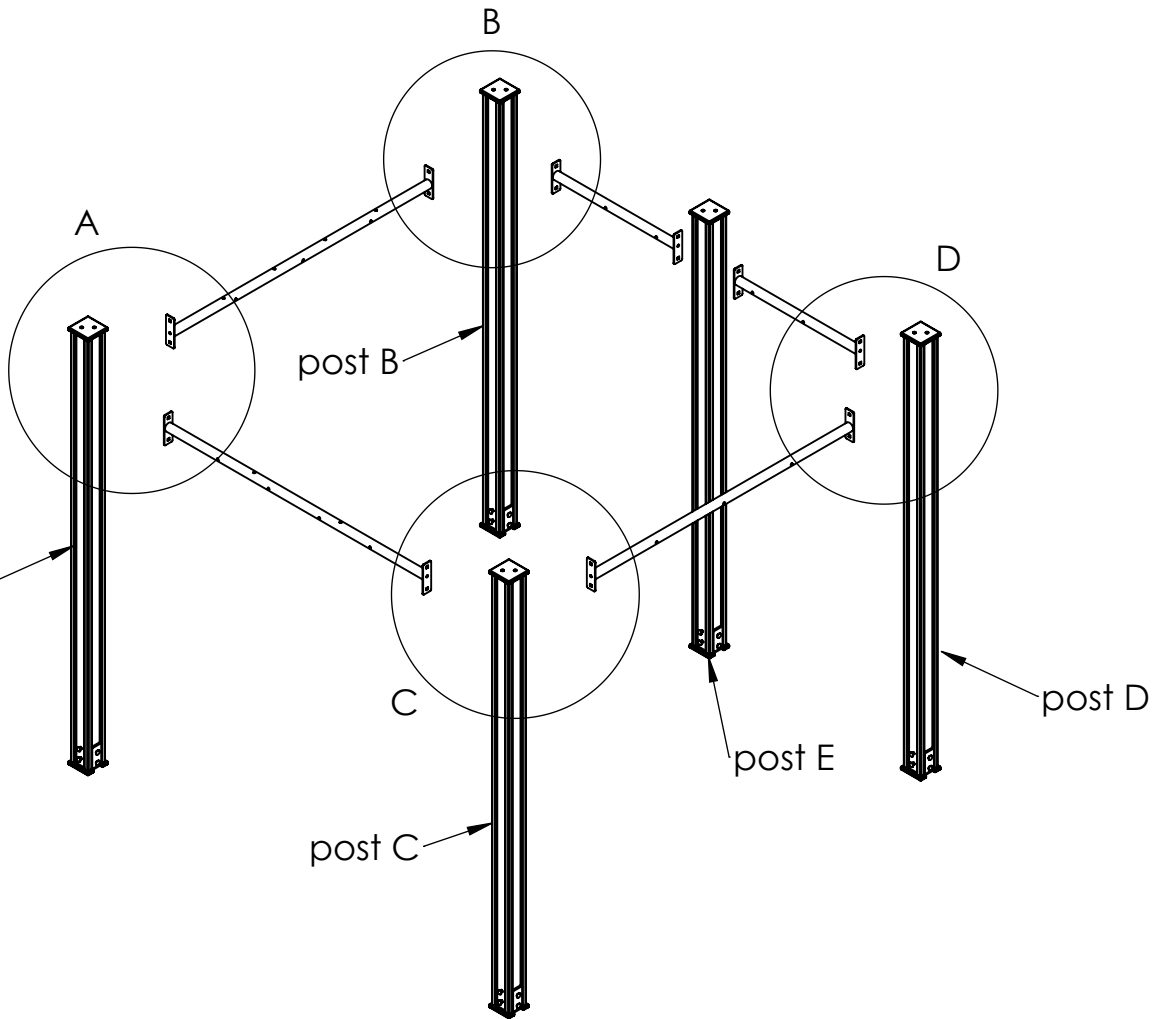
B

C

D

E

F



UNLESS OTHERWISE SPECIFIED:
 DIMENSIONS ARE IN MILLIMETERS
 WEIGHT ARE IN KILOGRAMM

PART NUMBER / DWG NO.:

RS123 MF

	NAME	SIGNATURE	DATE	REVISION
DRAWN	M.Rebase		17.08.2020	
APPV'D				

DESCRIPTION:

Climbing Frame MACACO



Tiptaptap OÜ

Tiptaptap OÜ
 Veetorni 9,
 Jüri alevik, Rae vald,
 75301 Harjumaa

MATERIAL:

wood, metal, plastic

A4

WEIGHT:

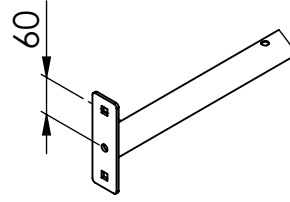
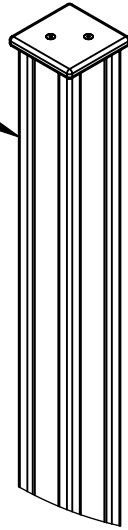
SCALE: 1:30

SHEET 9 OF 22

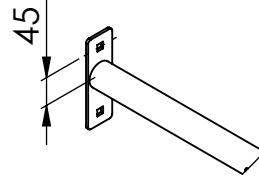
A

DETAIL A
SCALE 1 : 10

post A



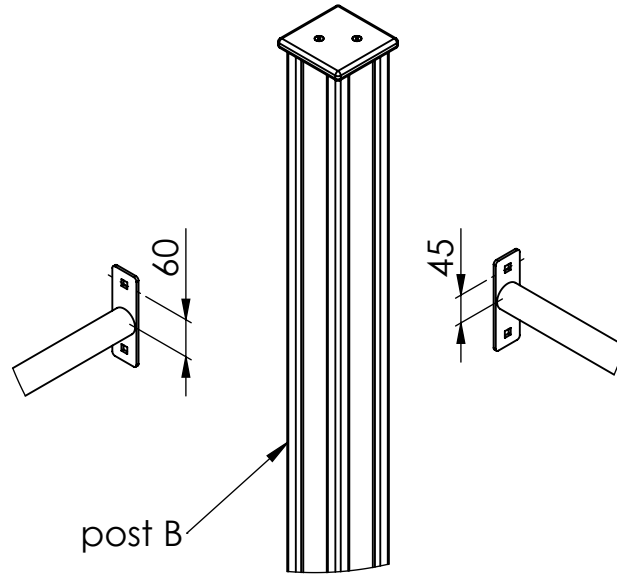
B



C

DETAIL B
SCALE 1 : 10

D



post B

E

F

UNLESS OTHERWISE SPECIFIED:
DIMENSIONS ARE IN MILLIMETERS
WEIGHT ARE IN KILOGRAMM

PART NUMBER / DWG NO.:

RS123 MF

	NAME	SIGNATURE	DATE	REVISION
DRAWN	M.Rebase		17.08.2020	
APPV'D				

DESCRIPTION:

Climbing Frame MACACO



Tiptaptap OÜ

Tiptaptap OÜ
Veetorni 9,
Jüri alevik, Rae vald,
75301 Harjumaa

MATERIAL:

wood, metal, plastic

A4

WEIGHT:

SCALE: 1:30

SHEET 10 OF 22

A

B

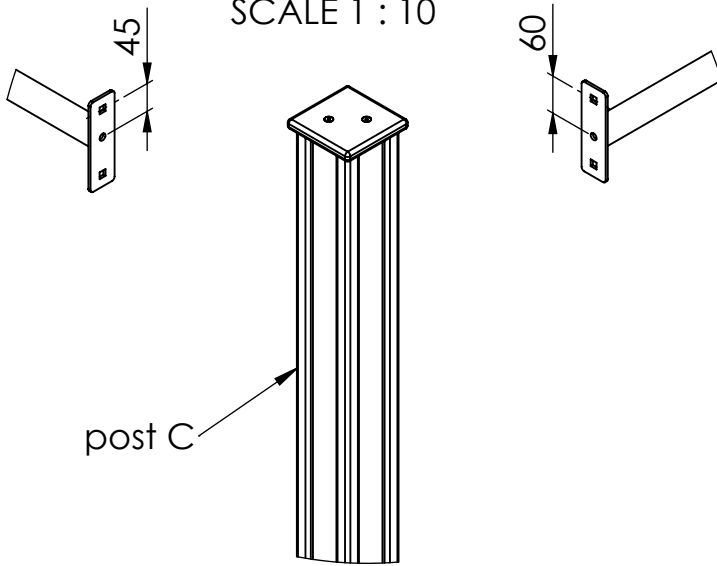
C

D

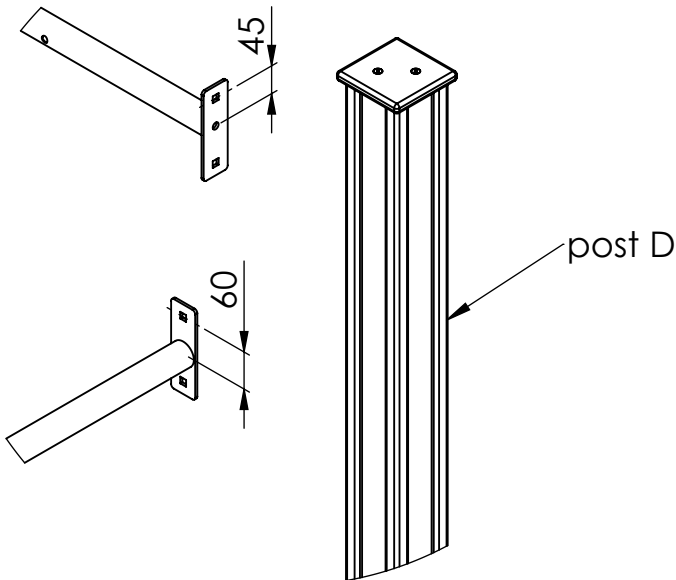
E

F

DETAIL C
SCALE 1 : 10



DETAIL D
SCALE 1 : 10



UNLESS OTHERWISE SPECIFIED:
DIMENSIONS ARE IN MILLIMETERS
WEIGHT ARE IN KILOGRAMM

PART NUMBER / DWG NO.:

RS123 MF

	NAME	SIGNATURE	DATE	REVISION
DRAWN	M.Rebase		17.08.2020	
APPV'D				

DESCRIPTION:

Climbing Frame MACACO



Tiptaptap OÜ

Tiptaptap OÜ
Veetorni 9,
Jüri alevik, Rae vald,
75301 Harjumaa

MATERIAL:

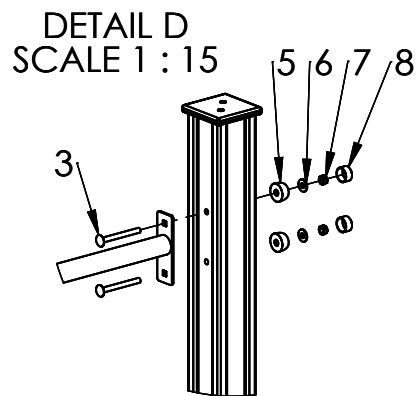
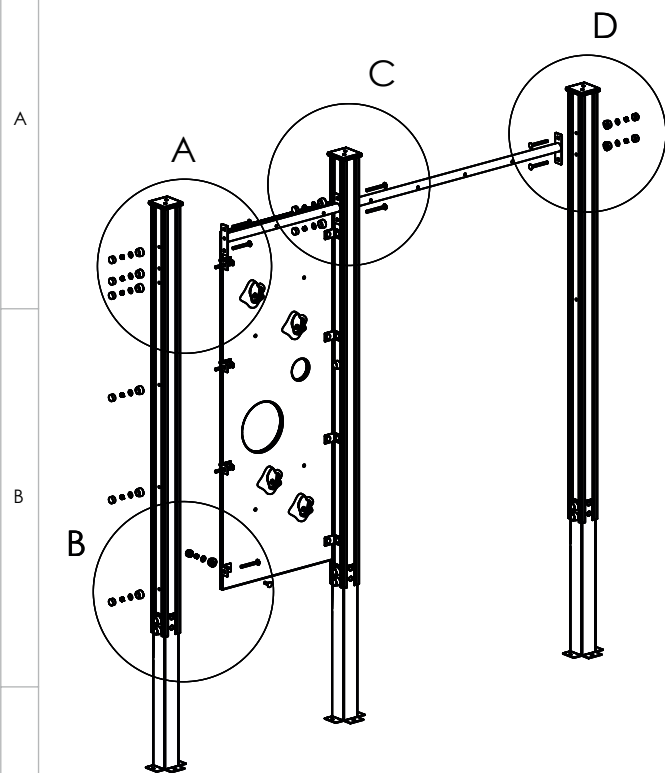
wood, metal, plastic

A4

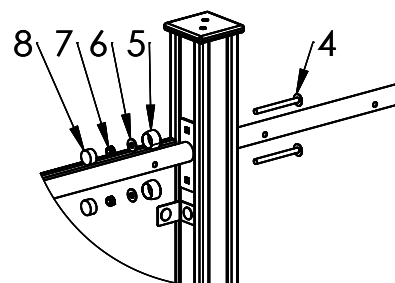
WEIGHT:

SCALE: 1:30

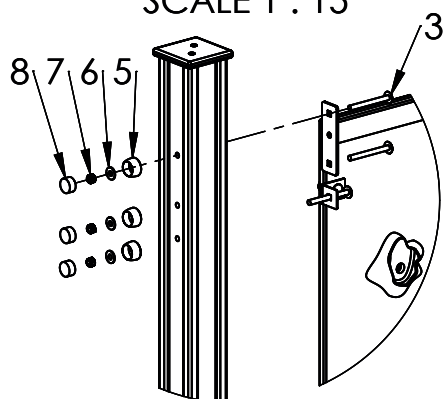
SHEET 11 OF 22



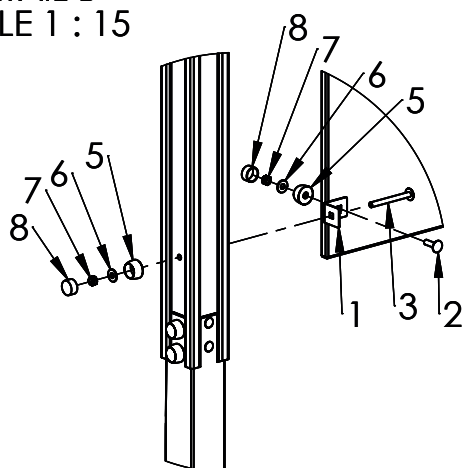
DETAIL C
SCALE 1 : 15



DETAIL A
SCALE 1 : 15



DETAIL B
SCALE 1 : 15



ITEM NO.	PART NUMBER
1	corner 48x60
2	bolt M10x35 DIN603
3	bolt M10x100 DIN603
4	bolt M10x110 DIN603
5	nut cover M12
6	washer M10 DIN9054
7	nut M10 DIN985
8	nut cover cap M12

UNLESS OTHERWISE SPECIFIED:
DIMENSIONS ARE IN MILLIMETERS
WEIGHT ARE IN KILOGRAMM

PART NUMBER / DWG NO.:

RS123 MF

	NAME	SIGNATURE	DATE	REVISION
DRAWN	M.Rebase		17.08.2020	
APPV'D				

DESCRIPTION:

Climbing Frame MACACO

MATERIAL:

wood, metal, plastic

A4

WEIGHT:

SCALE: 1:30

SHEET 12 OF 22



Tiptaptap OÜ

Tiptaptap OÜ
Veetorni 9,
Jüri alevik, Rae vald,
75301 Harjumaa

A

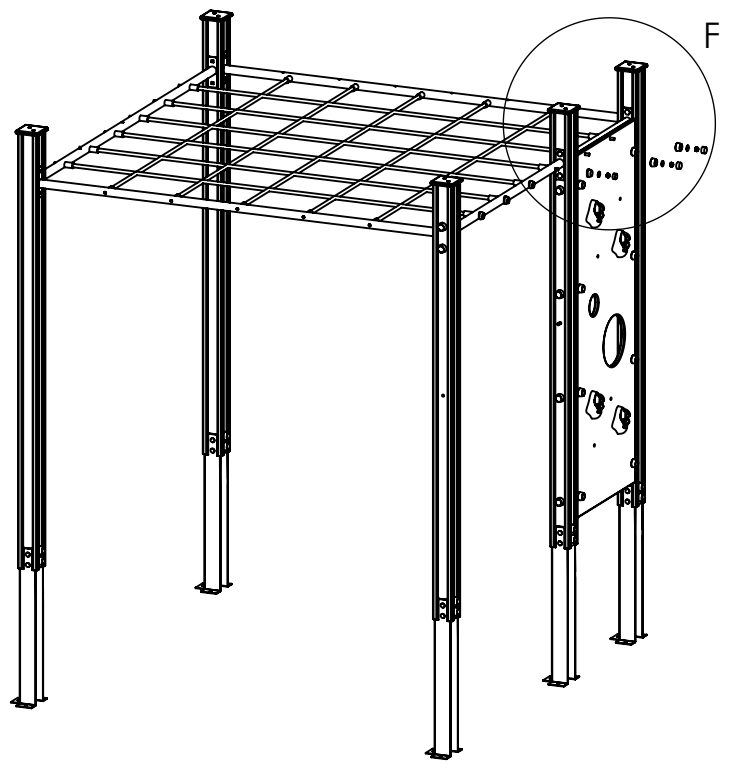
B

C

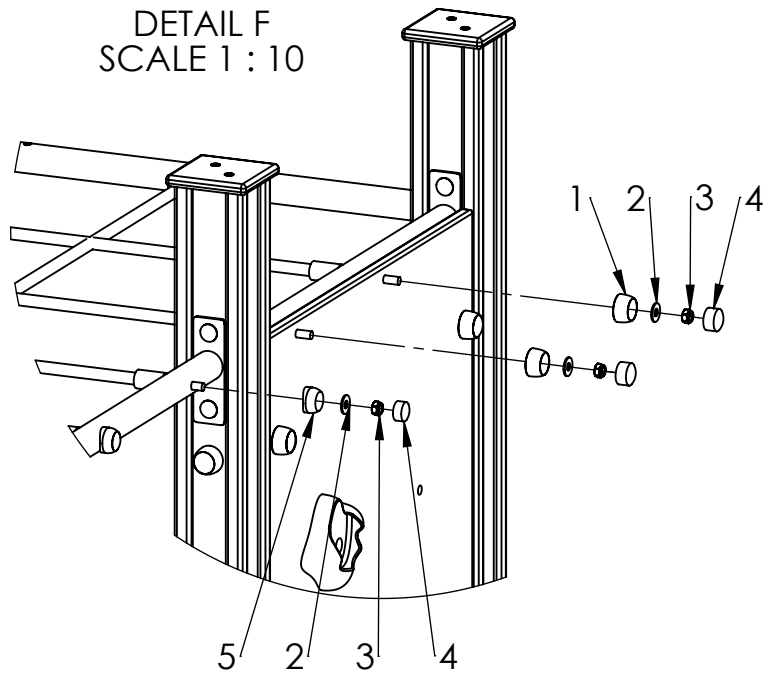
D

E

F



DETAIL F
SCALE 1 : 10



ITEM NO.	PART NUMBER
1	nut cover M12
2	washer M10 DIN9054
3	nut M10 DIN985
4	nut cover cap M12

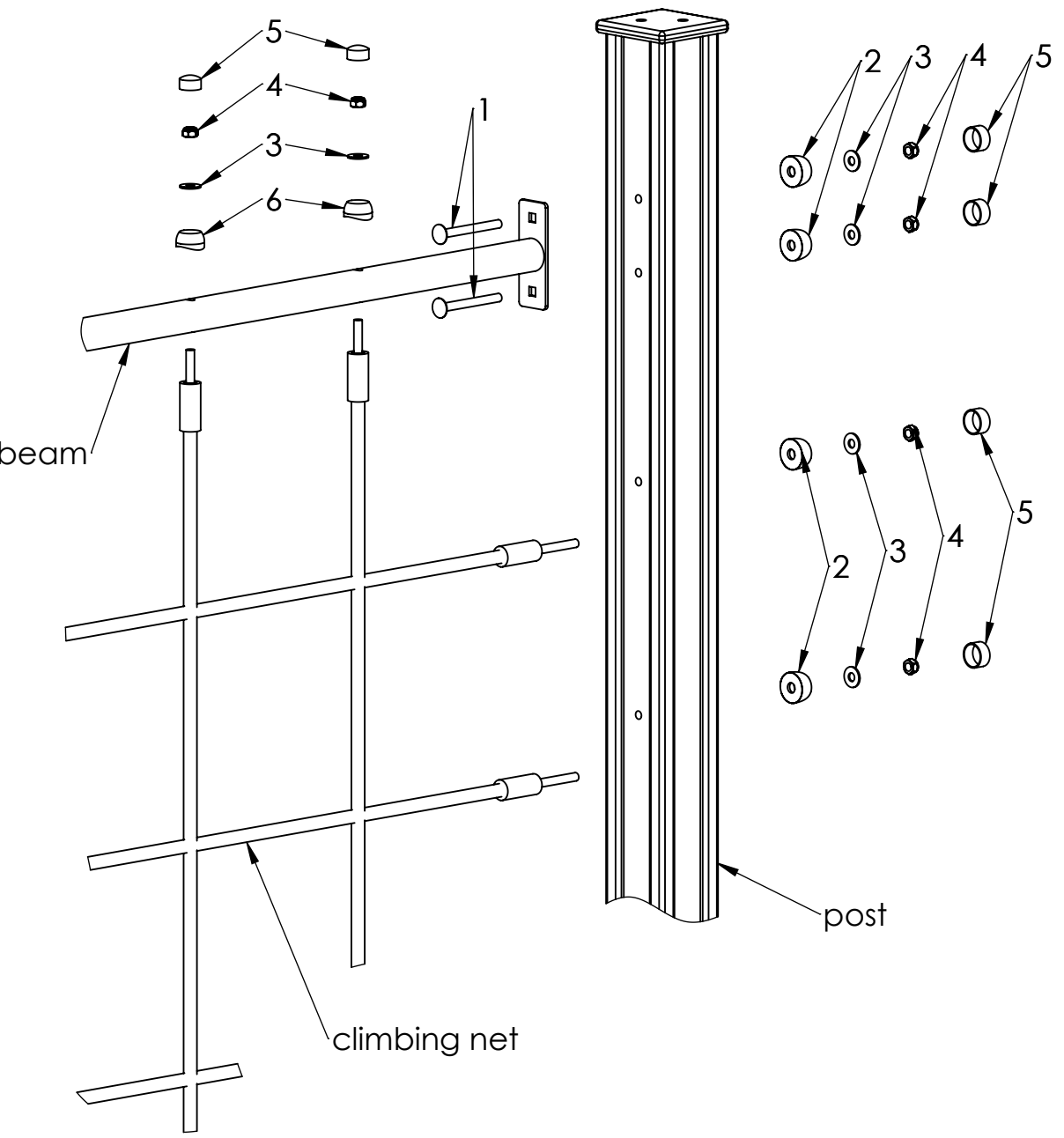
UNLESS OTHERWISE SPECIFIED: DIMENSIONS ARE IN MILLIMETERS WEIGHT ARE IN KILOGRAMM				
	NAME	SIGNATURE	DATE	REVISION
DRAWN	M.Rebase		17.08.2020	
APPV'D				

PART NUMBER / DWG NO.:	RS123 MF
DESCRIPTION:	Climbing Frame MACACO



Tiptaptap OÜ
Veetorni 9,
Jüri alevik, Rae vald,
75301 Harjumaa

MATERIAL:	wood, metal, plastic	A4
WEIGHT:	SCALE: 1:30	SHEET 13 OF 22



ITEM NO.	PART NUMBER
1	bolt M10x100 DIN603
2	nut cover M12
3	washer M10 DIN9054
4	nut M10 DIN985
5	nut cover cap M12
6	nut cover M12 for beam

UNLESS OTHERWISE SPECIFIED: DIMENSIONS ARE IN MILLIMETERS WEIGHT ARE IN KILOGRAMM				
	NAME	SIGNATURE	DATE	REVISION
DRAWN	M.Rebase		17.08.2020	
APPV'D				

PART NUMBER / DWG NO.:		RS123 MF	
DESCRIPTION:			
Climbing Frame MACACO connecting beam and climbing net to post			
MATERIAL:		wood, metal, plastic	A4
WEIGHT:		SCALE: 1:8	SHEET 14 OF 22


Tiptaptap OÜ
 Veetorni 9,
 Jüri alevik, Rae vald,
 75301 Harjumaa

A

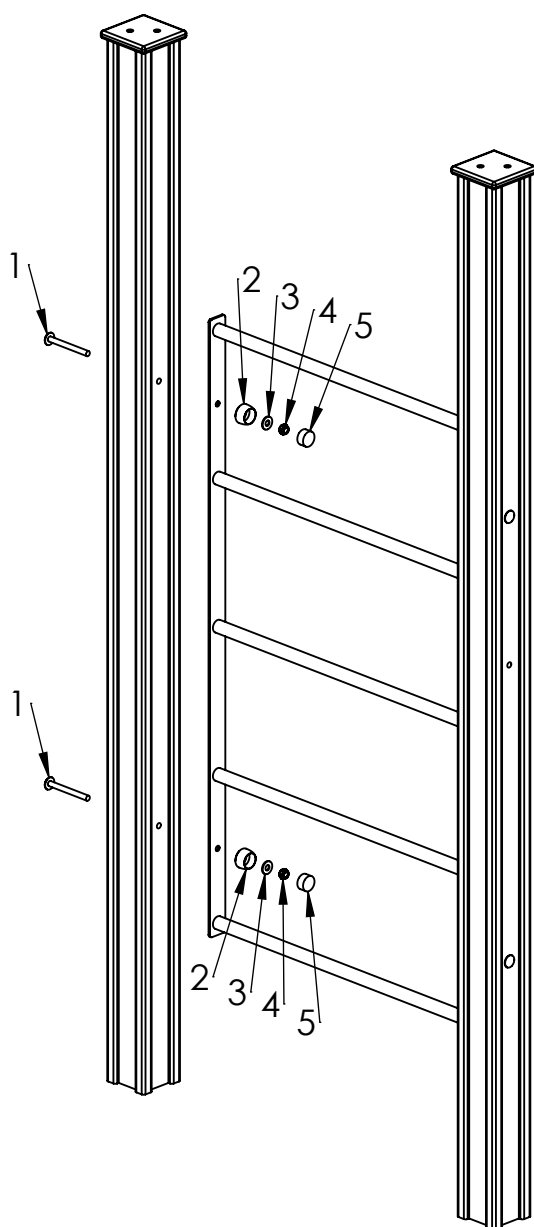
B

C

D

E

F



ITEM NO.	PART NUMBER
1	bolt M10x100 DIN603
2	nut cover M12
3	washer M10 DIN9054
4	nut M10 DIN985
5	nut cover cap M12

UNLESS OTHERWISE SPECIFIED:
DIMENSIONS ARE IN MILLIMETERS
WEIGHT ARE IN KILOGRAMM

PART NUMBER / DWG NO.:

RS123 MF

	NAME	SIGNATURE	DATE	REVISION
DRAWN	M.Rebase		17.08.2020	
APPV'D				

DESCRIPTION:

Climbing Frame MACACO

MATERIAL:

wood, metal, plastic

A4

WEIGHT:

SCALE: 1:14

SHEET 15 OF 22



Tiptiptap OÜ

Tiptiptap OÜ
Veetorni 9,
Jüri alevik, Rae vald,
75301 Harjumaa

A

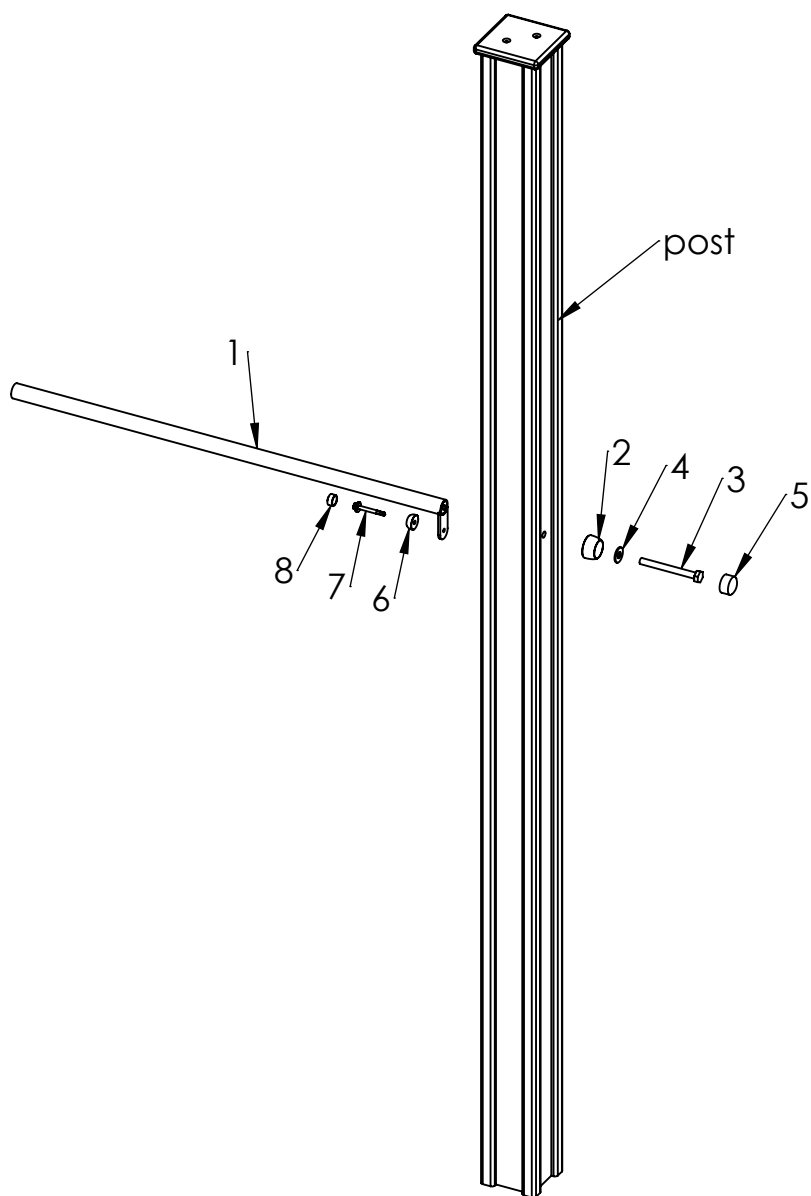
B

C

D

E

F



ITEM NO.	PART NUMBER
1	tube ϕ 40x687
2	nut cover M12
3	bolt M10x100 DIN931
4	washer M10 DIN9054
5	nut cover cap M12
6	nut cover M6
7	screw 5,5x50 DIN7504K
8	nut cover cap M6

UNLESS OTHERWISE SPECIFIED:
DIMENSIONS ARE IN MILLIMETERS
WEIGHT ARE IN KILOGRAMM

	NAME	SIGNATURE	DATE	REVISION
DRAWN	M.Rebase		17.08.2020	
APPV'D				

PART NUMBER / DWG NO.:

RS123 MF
connecting guardrail to post

DESCRIPTION:

Climbing Frame MACACO

MATERIAL:

wood, metal, plastic

A4

WEIGHT:

SCALE: 1:12

SHEET 16 OF 22



Tiptap OÜ

Tiptap OÜ
Veetorni 9,
Jüri alevik, Rae vald,
75301 Harjumaa

A

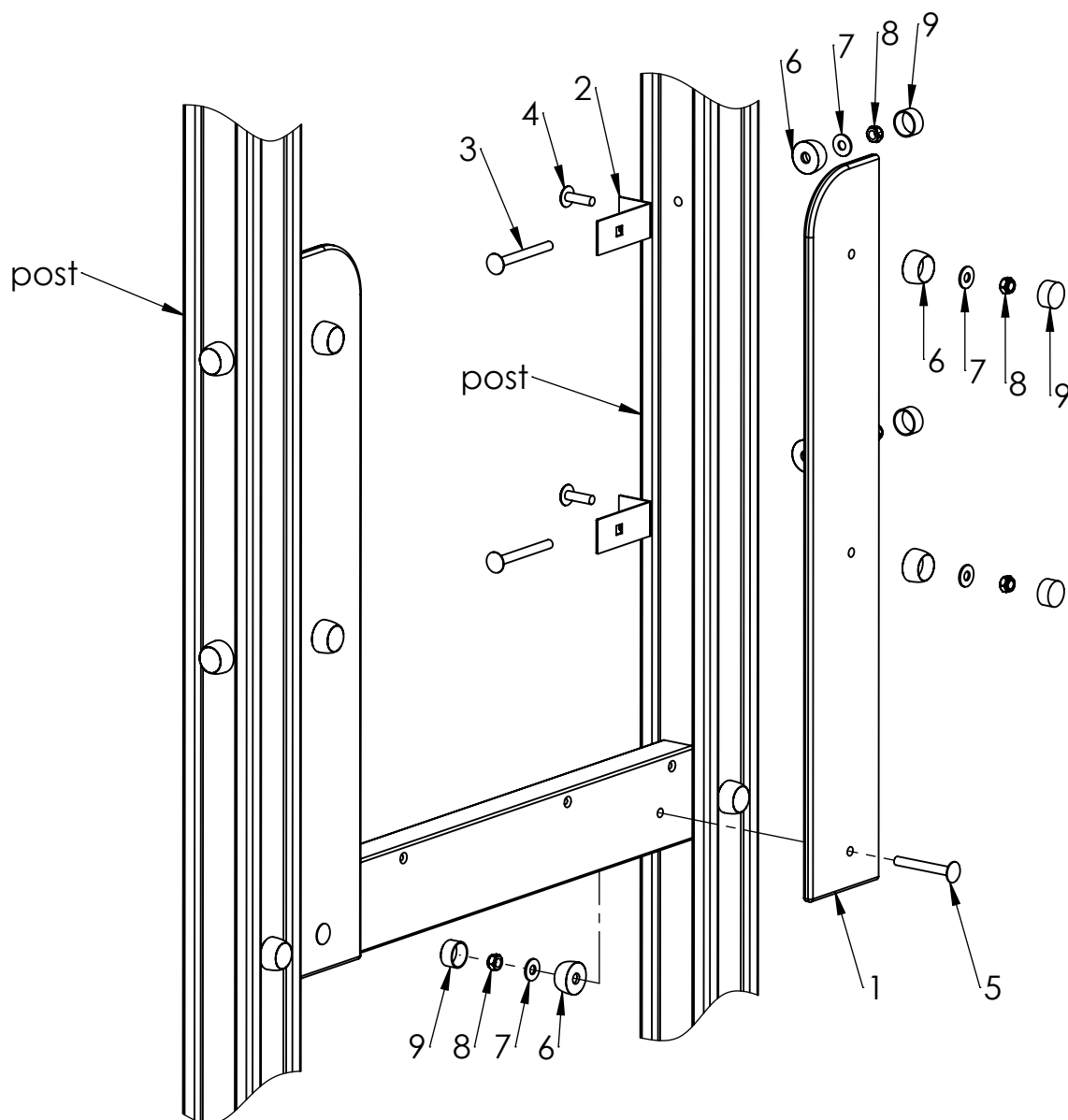
B

C

D

E

F



ITEM NO.	PART NUMBER
1	panel 850x126
2	slide side panel fixing 40x100
3	bolt M10x100 DIN603
4	bolt M10x35 DIN603
5	bolt M10x80 DIN603
6	nut cover M12
7	washer M10 DIN9054
8	nut M10 DIN985
9	nut cover cap M12

UNLESS OTHERWISE SPECIFIED:
DIMENSIONS ARE IN MILLIMETERS
WEIGHT ARE IN KILOGRAMM

	NAME	SIGNATURE	DATE	REVISION
DRAWN	M.Rebase		17.08.2020	
APPV'D				

PART NUMBER / DWG NO.:

RS123 MF

DESCRIPTION:

Climbing Frame MACACO
connecting climbing pole side panel to post

MATERIAL:

wood, metal, plastic

A4

WEIGHT:

SCALE: 1:8

SHEET 17 OF 22



Tiptap OÜ

Tiptap OÜ
Veetorni 9,
Jüri alevik, Rae vald,
75301 Harjumaa

A

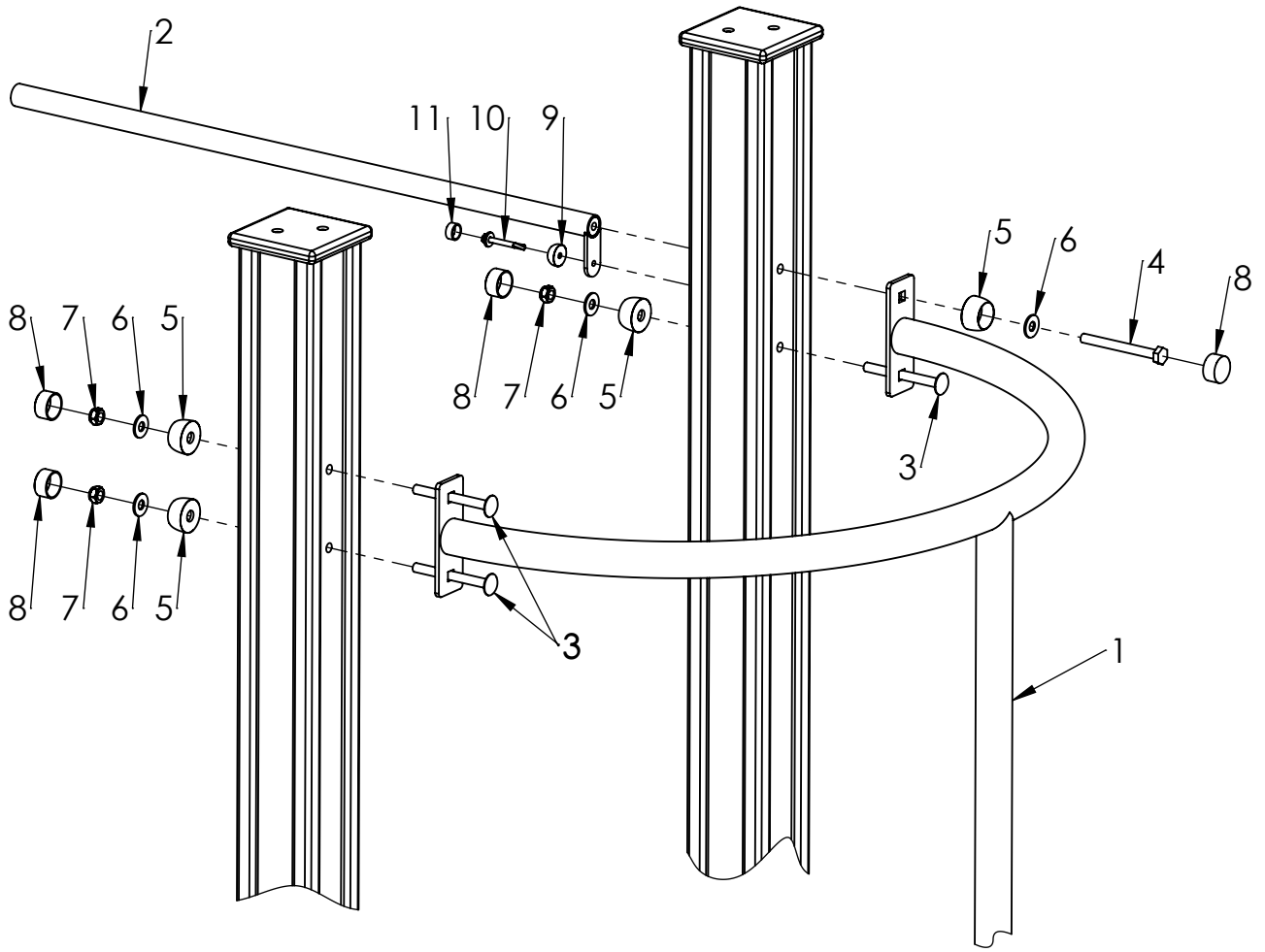
B

C

D

E

F



ITEM NO.	PART NUMBER
1	climbing pole
2	guardrail ϕ 25x770
3	bolt M10x100 DIN603
4	bolt M10x100 DIN931
5	nut cover M12
6	washer M10 DIN9054
7	nut M10 DIN985
8	nut cover cap M12
9	nut cover M6
10	screw 5,5x50 DIN7504K
11	nut cover cap M6

UNLESS OTHERWISE SPECIFIED:
 DIMENSIONS ARE IN MILLIMETERS
 WEIGHT ARE IN KILOGRAMM

PART NUMBER / DWG NO.:
RS123 MF

	NAME	SIGNATURE	DATE	REVISION
DRAWN	M.Rebase		17.08.2020	
APPV'D				

DESCRIPTION:
Climbing Frame MACACO
 connecting climbing pole and guardrail to post



Tiptap OÜ

Tiptap OÜ
 Veetorni 9,
 Jüri alevik, Rae vald,
 75301 Harjumaa

MATERIAL: wood, metal, plastic

A4

WEIGHT: SCALE: 1:8 SHEET 18 OF 22

A

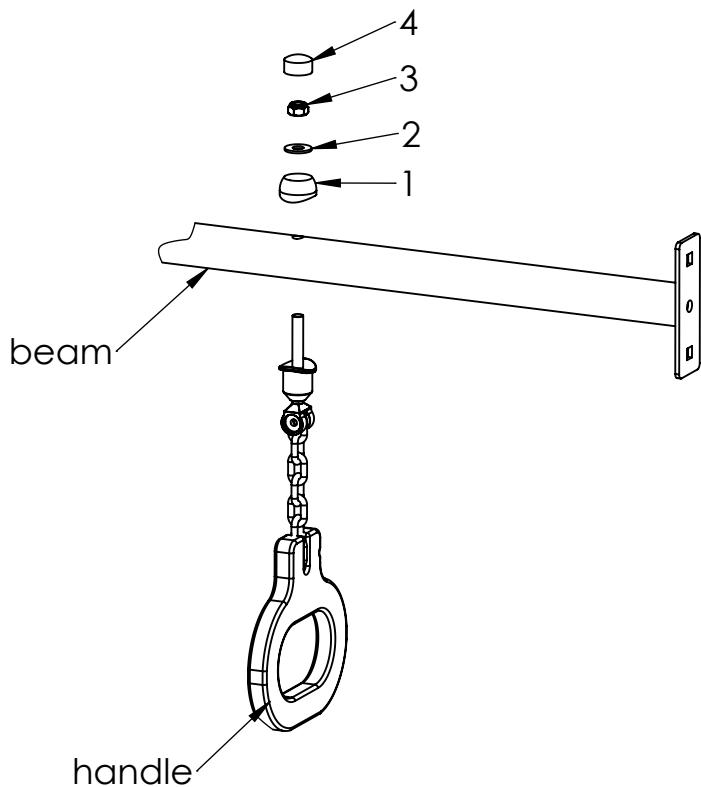
B

C

D

E

F



ITEM NO.	PART NUMBER
1	nut cover M12 for beam
2	washer M10 DIN9054
3	nut M10 DIN985
4	nut cover cap M12

UNLESS OTHERWISE SPECIFIED: DIMENSIONS ARE IN MILLIMETERS WEIGHT ARE IN KILOGRAMM				
	NAME	SIGNATURE	DATE	REVISION
DRAWN	M.Rebase		17.08.2020	
APPV'D				

PART NUMBER / DWG NO.:	RS123 MF
DESCRIPTION:	Climbing Frame MACACO connecting handles to beam



Tiptiptap OÜ
Veetorni 9,
Jüri alevik, Rae vald,
75301 Harjumaa

MATERIAL:	wood, metal, plastic	A4
WEIGHT:	SCALE: 1:7	SHEET 19 OF 22

A

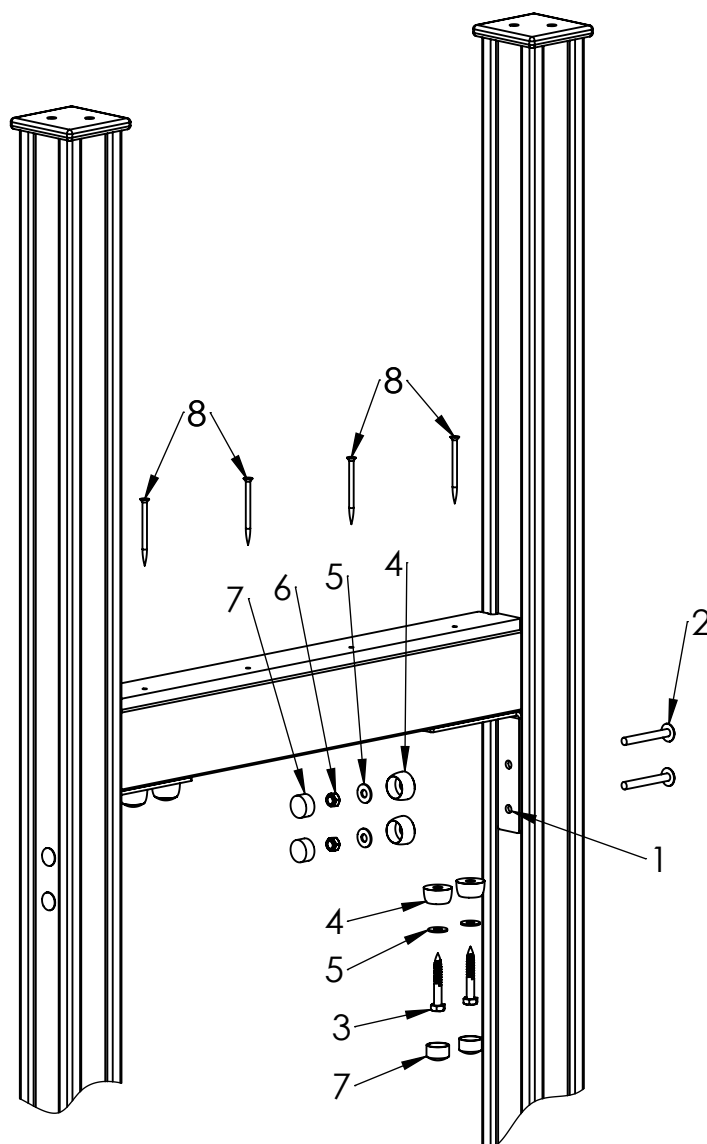
B

C

D

E

F



ITEM NO.	PART NUMBER
1	corner 165x165x45
2	bolt DIN603 M10x80
3	wood screw DIN571 10x70
4	nut cover M12
5	washer M10 DIN9054
6	nut M10 DIN985
7	nut cover cap M12
8	wood screw 6 x 90

UNLESS OTHERWISE SPECIFIED:
DIMENSIONS ARE IN MILLIMETERS
WEIGHT ARE IN KILOGRAMM

	NAME	SIGNATURE	DATE	REVISION
DRAWN	M.Rebase		17.08.2020	
APPV'D				

PART NUMBER / DWG NO.:

RS123 MF

DESCRIPTION:

Climbing Frame MACACO

MATERIAL:

wood, metal, plastic

A4

WEIGHT:

SCALE: 1:10

SHEET 20 OF 22



Tiptiptap OÜ

Tiptiptap OÜ
Veetorni 9,
Jüri alevik, Rae vald,
75301 Harjumaa

A

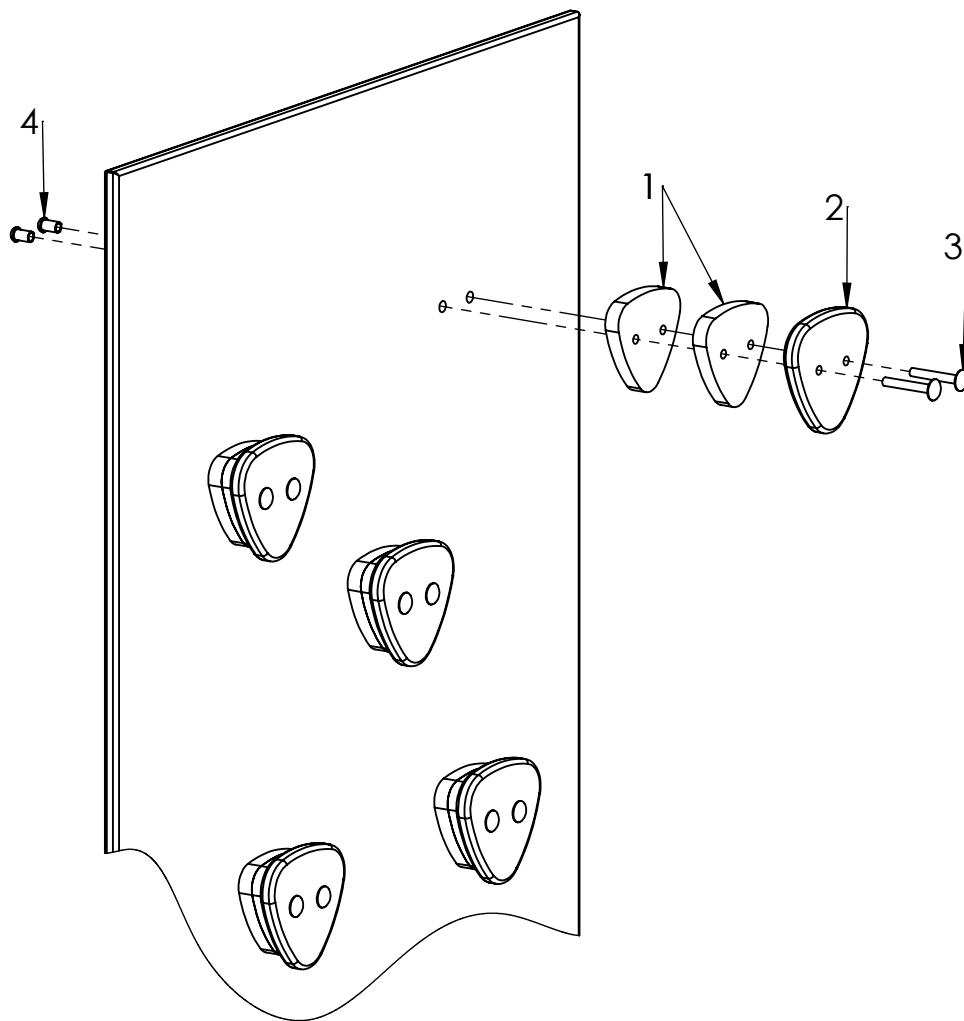
B

C

D

E

F



ITEM NO.	PART NUMBER
1	climbing grip base
2	climbing grip
3	bolt DIN603 M8x55
4	metal screw M8x16 DIN7380

UNLESS OTHERWISE SPECIFIED:
DIMENSIONS ARE IN MILLIMETERS
WEIGHT ARE IN KILOGRAMM

	NAME	SIGNATURE	DATE	REVISION
DRAWN	M.Rebase		17.08.2020	
APPV'D				

PART NUMBER / DWG NO.:

RS123 MF

DESCRIPTION:

Climbing Frame MACACO

MATERIAL:

wood, metal, plastic

A4

WEIGHT:

SCALE: 1:10

SHEET 21 OF 22



Tiptap OÜ

Tiptap OÜ
Veetorni 9,
Jüri alevik, Rae vald,
75301 Harjumaa

Using thread adhesive

A

Thread adhesive is necessary to use in places where is used nut or bolt without lock.

B

- 1) Bridges (with 3 or 8 steps)
- 2) OCTO series (Pin Trx nut)

Using thread adhesive: add small drop thread adhesive on top off bolt or nut.

C



D

E

F

UNLESS OTHERWISE SPECIFIED:
DIMENSIONS ARE IN MILLIMETERS
WEIGHT ARE IN KILOGRAMM

PART NUMBER / DWG NO.:

RS123 MF

	NAME	SIGNATURE	DATE	REVISION
DRAWN	M.Rebase		17.08.2020	
APPV'D				

DESCRIPTION:

Climbing Frame MACACO



Tiptiptap OÜ

Tiptiptap OÜ
Veetorni 9,
Jüri alevik, Rae vald,
75301 Harjumaa

MATERIAL:

wood, metal, plastic

A4

WEIGHT:

SCALE: 1:1

SHEET 22 OF 22