

A

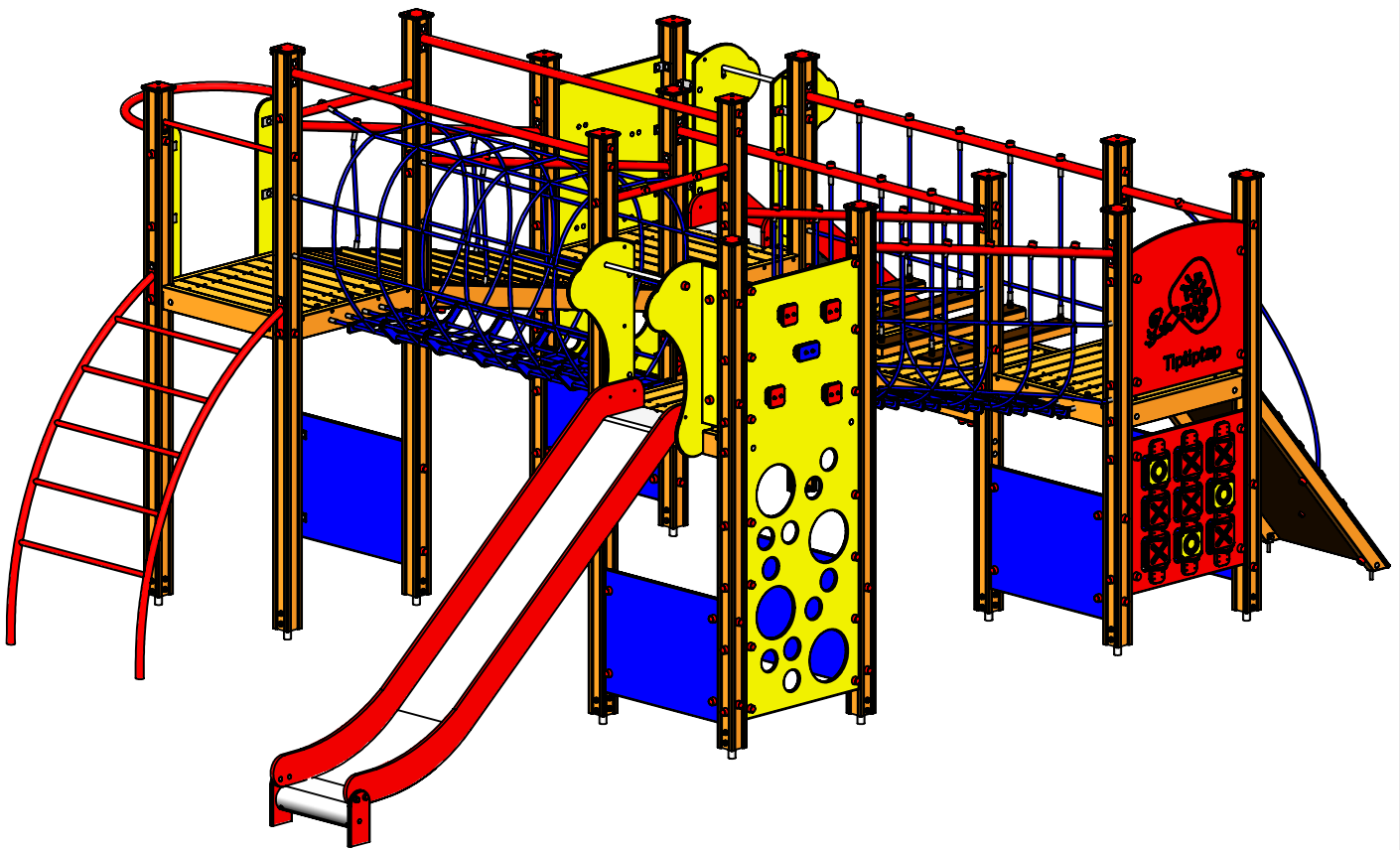
B

C

D

E

F



UNLESS OTHERWISE SPECIFIED:  
 DIMENSIONS ARE IN MILLIMETERS  
 WEIGHT ARE IN KILOGRAMM

	NAME	SIGNATURE	DATE	REVISION
DRAWN	I.Agar		12.04.2022	
APPV'D				

PART NUMBER / DWG NO.:  
 LM208

DESCRIPTION:  
 Play centre Alexander



MATERIAL: wood, metal, plastic

A4

WEIGHT: SCALE: 1:35 SHEET 1 OF 49

A

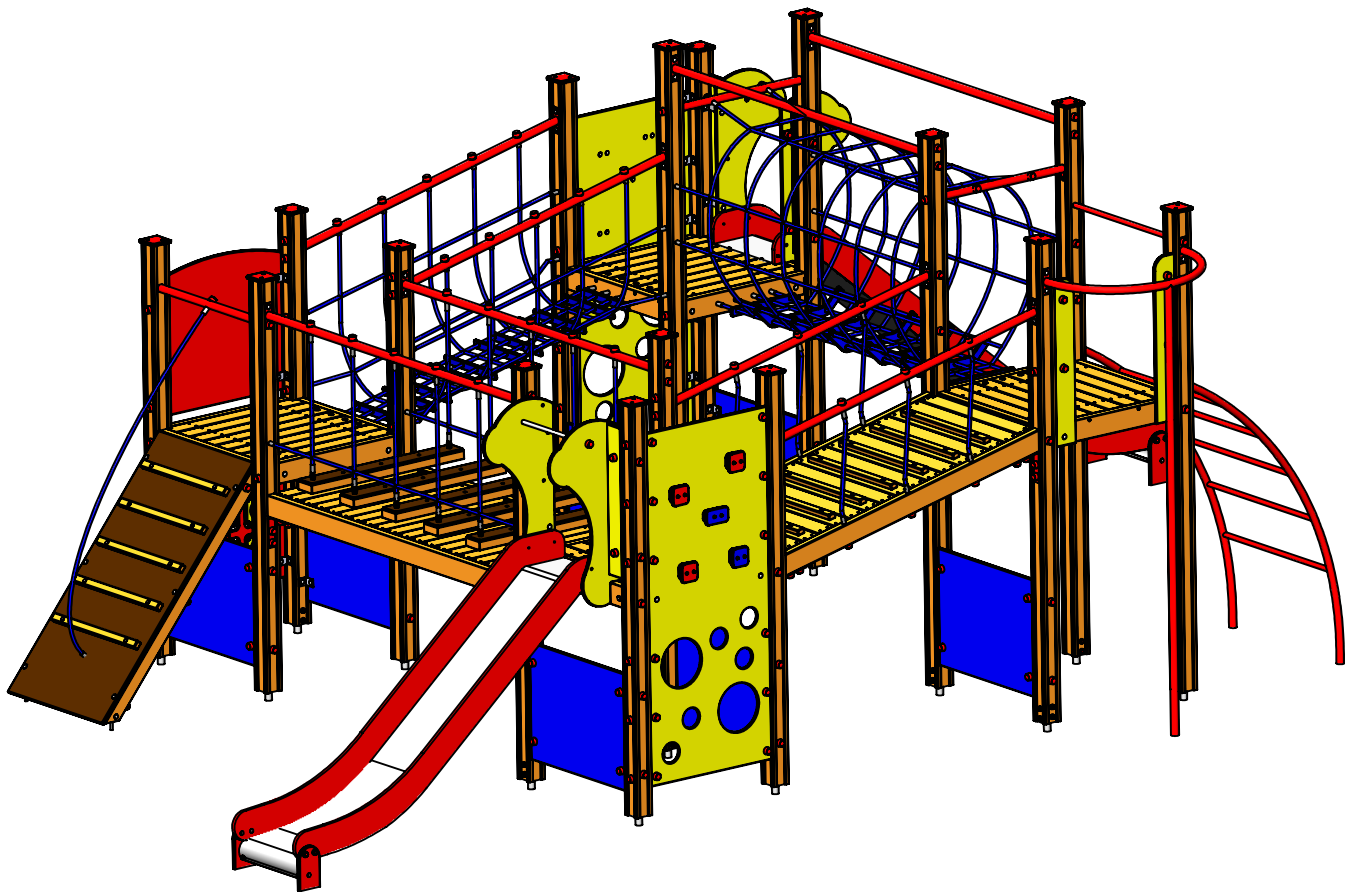
B

C

D

E

F



UNLESS OTHERWISE SPECIFIED:  
 DIMENSIONS ARE IN MILLIMETERS  
 WEIGHT ARE IN KILOGRAMM

PART NUMBER / DWG NO.:

LM208

	NAME	SIGNATURE	DATE	REVISION
DRAWN	I.Agar		12.04.2022	
APPVD				

DESCRIPTION:

Play centre Alexander



Tiptiptap<sup>00</sup>

MATERIAL:

wood, metal, plastic

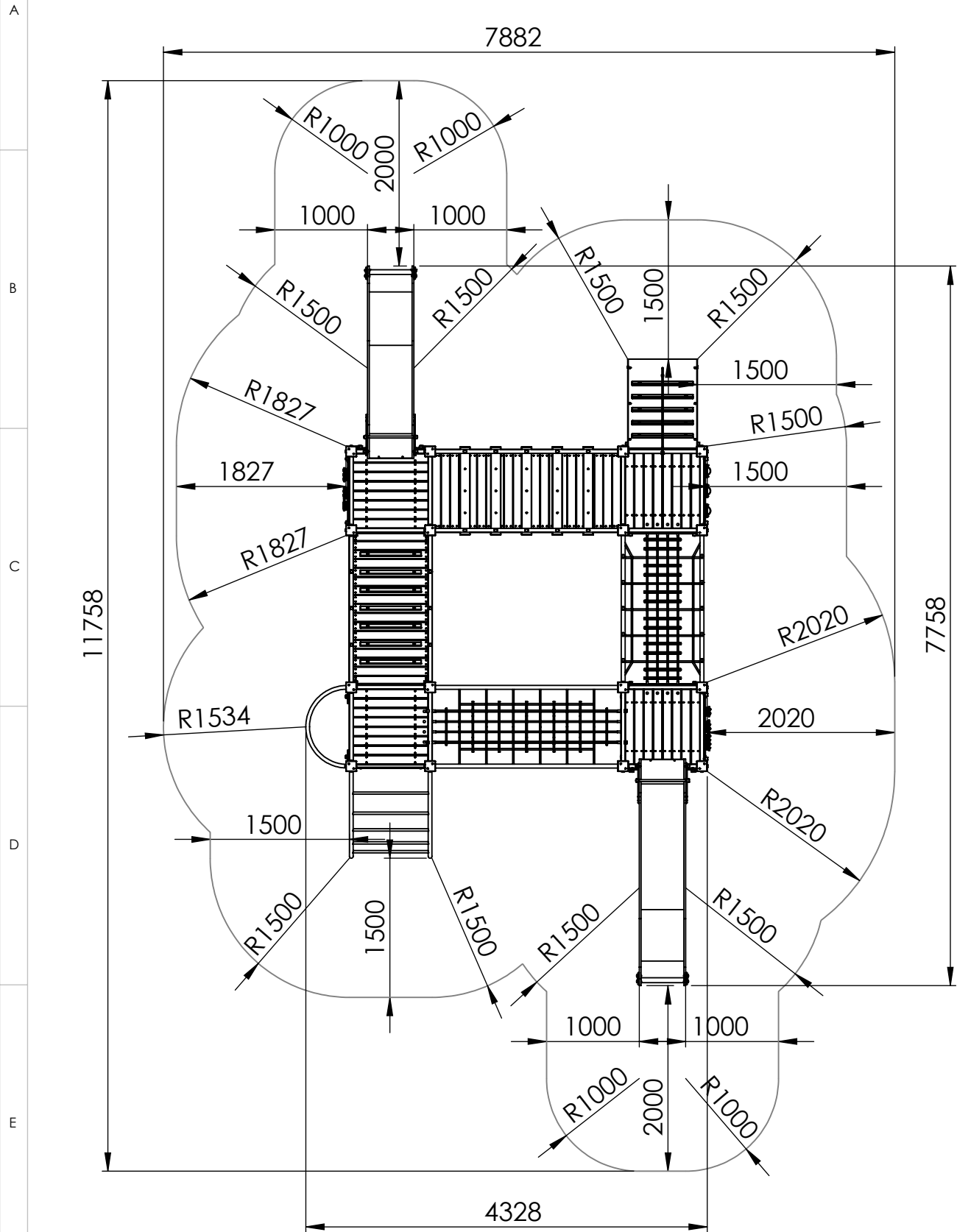
A4

WEIGHT:

SCALE: 1:37

SHEET 2 OF 49

Safety area



UNLESS OTHERWISE SPECIFIED:  
DIMENSIONS ARE IN MILLIMETERS  
WEIGHT ARE IN KILOGRAMM

PART NUMBER / DWG NO.:

LM208

	NAME	SIGNATURE	DATE	REVISION
DRAWN	I. Agar		12.04.2022	
APPV'D				

DESCRIPTION:

Play centre Alexander



Tiptap OÜ

MATERIAL:

wood, metal, plastic

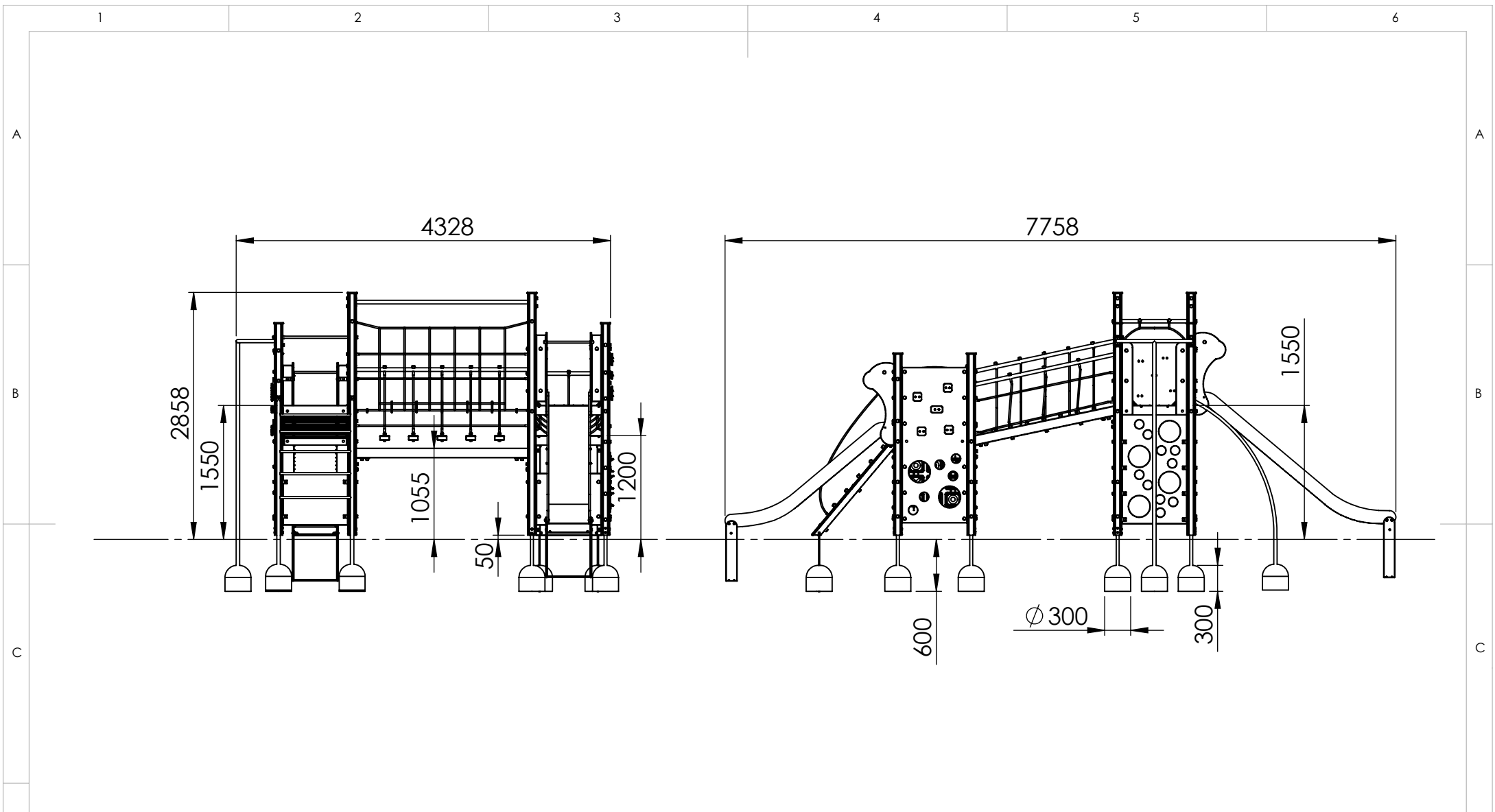
A4


WEIGHT:

SCALE: 1:60

SHEET 3 OF 49





UNLESS OTHERWISE SPECIFIED: DIMENSIONS ARE IN MILLIMETERS WEIGHT ARE IN KILOGRAMM					PART NUMBER / DWG NO.: <b>LM208</b>	
	NAME	SIGNATURE	DATE	REVISION	DESCRIPTION: <b>Play centre Alexander</b>	
DRAWN	I.Agar		12.04.2022			
APPV'D						
 <b>Tiptap</b> <sup>OO</sup>					MATERIAL:	wood, metal, plastic
					WEIGHT:	SCALE: 1:60
					WEIGHT:	SHEET 5 OF 49

1

2

3

4

A

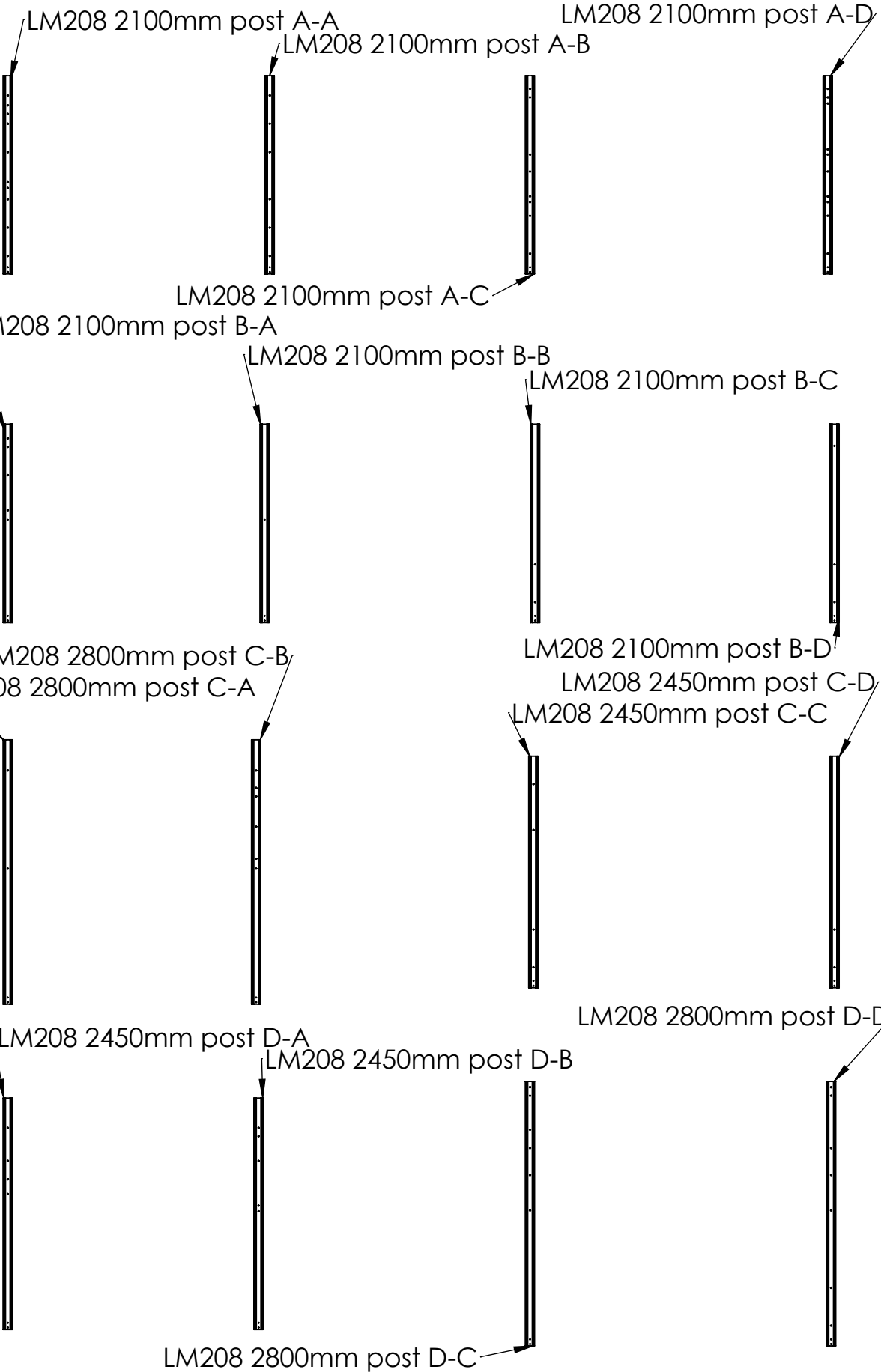
B


C

D

E

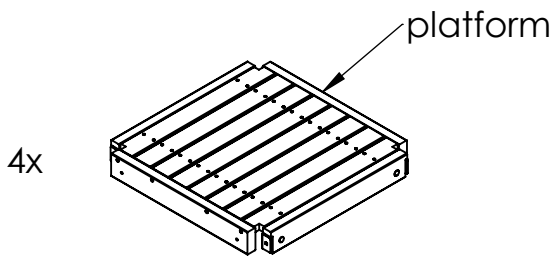
F



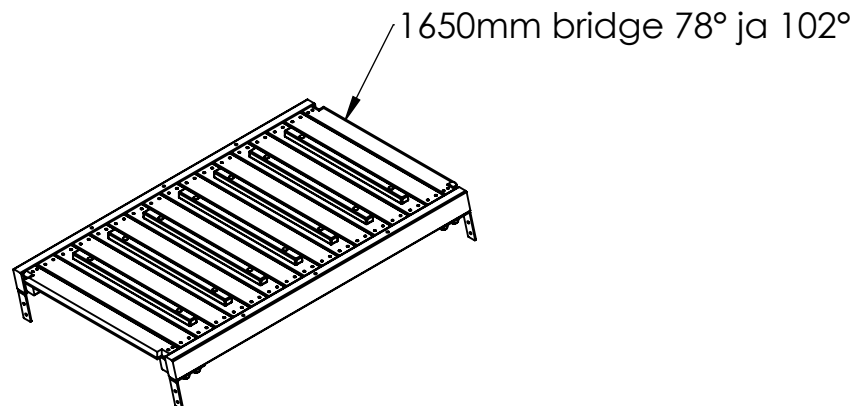
UNLESS OTHERWISE SPECIFIED: DIMENSIONS ARE IN MILLIMETERS WEIGHT ARE IN KILOGRAMM				
	NAME	SIGNATURE	DATE	REVISION
DRAWN	I.Agar		12.04.2022	
APPV'D				
 <b>Tiptiptap</b> <sup>00</sup>				

PART NUMBER / DWG NO.:		LM208	
DESCRIPTION:			
Play centre Alexander			
MATERIAL:		wood, metal, plastic	A4
WEIGHT:		SCALE: 1:60	SHEET 6 OF 49

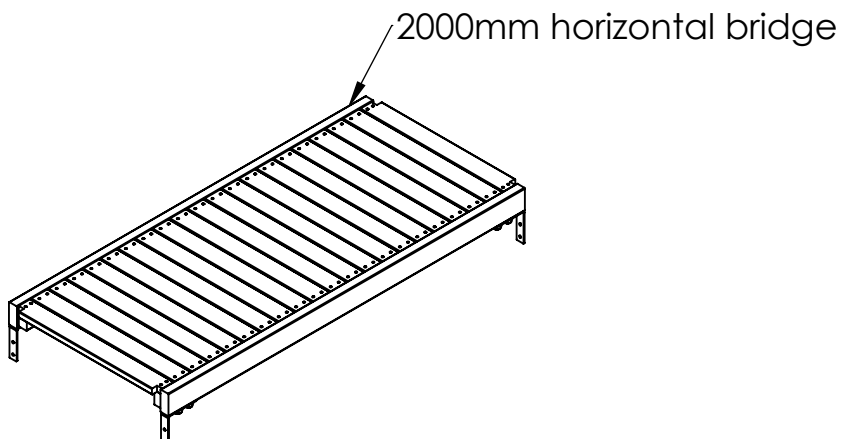
A



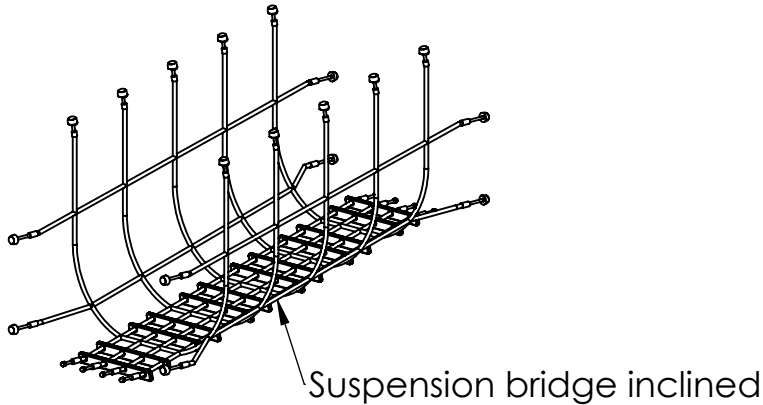
B



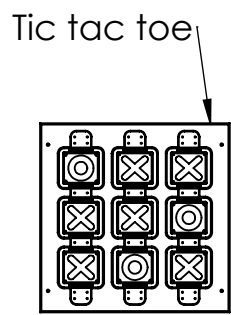
C



D



E



F

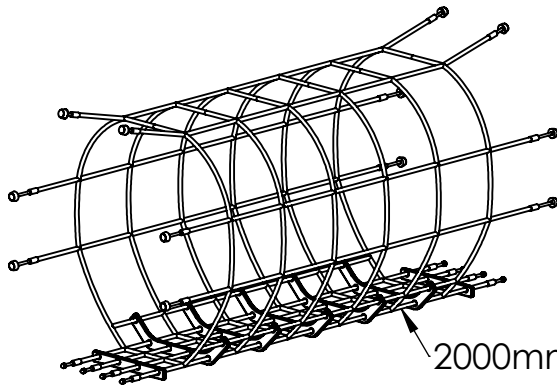
UNLESS OTHERWISE SPECIFIED: DIMENSIONS ARE IN MILLIMETERS WEIGHT ARE IN KILOGRAMM				
	NAME	SIGNATURE	DATE	REVISION
DRAWN	I.Agar		12.04.2022	
APPV'D				

PART NUMBER / DWG NO.:	Lm208
DESCRIPTION:	Play centre Alexander

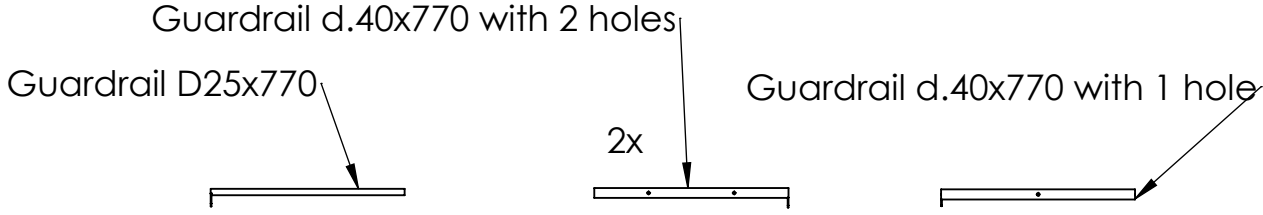


MATERIAL:	wood, metal, plastic	A4
WEIGHT:	SCALE: 1:30	SHEET 7 OF 49

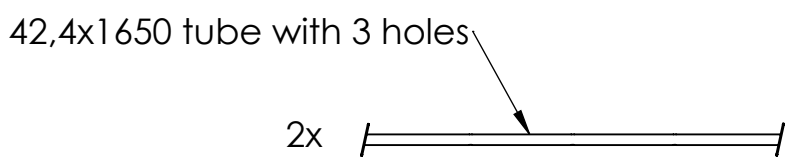
A



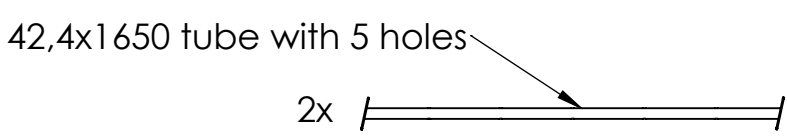
B



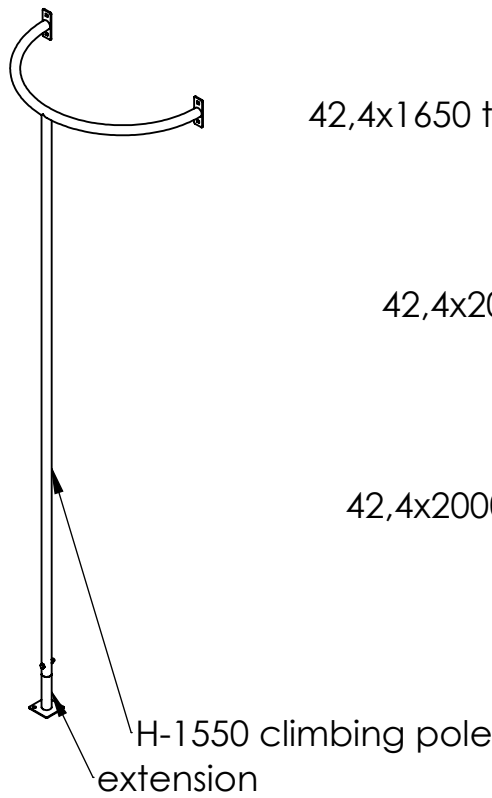
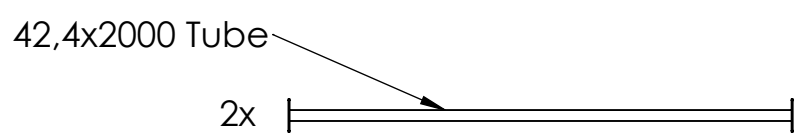
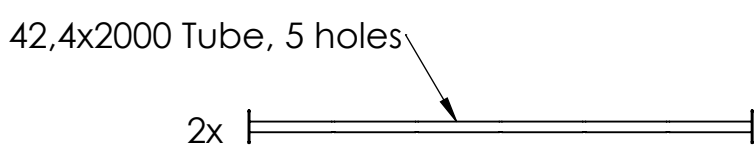
C



D



E



UNLESS OTHERWISE SPECIFIED:  
DIMENSIONS ARE IN MILLIMETERS  
WEIGHT ARE IN KILOGRAMM

PART NUMBER / DWG NO.:  
**LM208**

	NAME	SIGNATURE	DATE	REVISION
DRAWN	I.Agar		12.04.2022	
APPV'D				

DESCRIPTION:  
**Play centre Alexander**

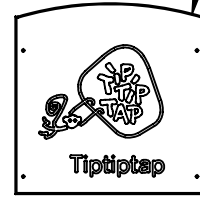
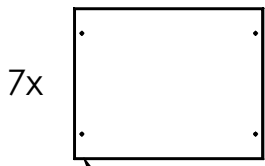


MATERIAL:	wood, metal, plastic	A4
WEIGHT:		SCALE: 1:30
		SHEET 8 OF 49



Playground upward curved panel, lower hole 70mm with logo

A

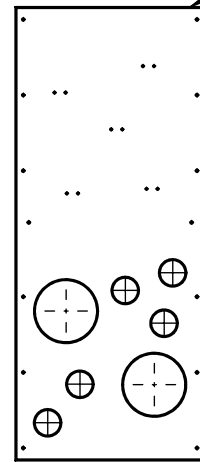
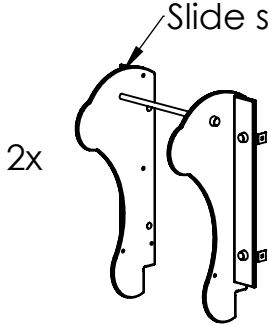


Playground rectangle panel, lower hole 100mm

B

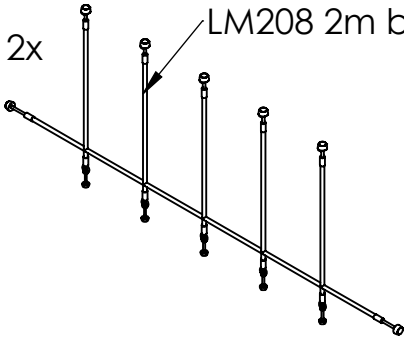
LM208 cheese wall 752x1800mm

Slide side panel block 1



C

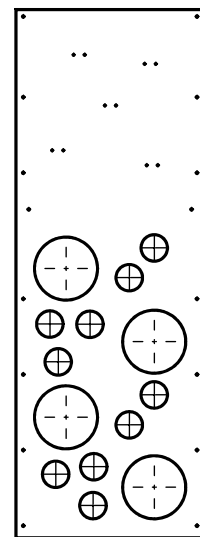
LM208 2m bridge ropes



LM208 cheese wall 752x2100mm

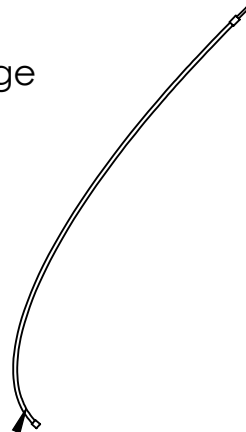
D

LM208 Rope for bridge



E

Climbing ramp rope 1



F

UNLESS OTHERWISE SPECIFIED:  
DIMENSIONS ARE IN MILLIMETERS  
WEIGHT ARE IN KILOGRAMM

PART NUMBER / DWG NO.:

LM208

	NAME	SIGNATURE	DATE	REVISION
DRAWN	I.Agar		12.04.2022	
APPV'D				

DESCRIPTION:

Play centre Alexander

MATERIAL:

wood, metal, plastic

A4

WEIGHT:

SCALE: 1:30

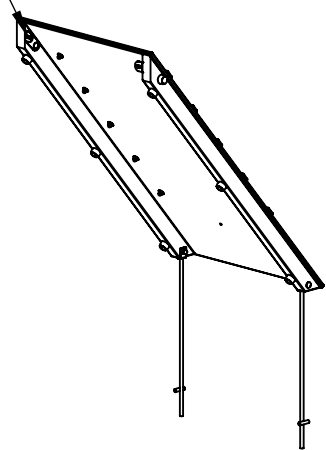
SHEET 9 OF 49



Tiptiptap OÜ

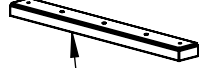
A

Climbing ramp 750x1500 with slats



B

5x



45x110x950 Rope bridge step

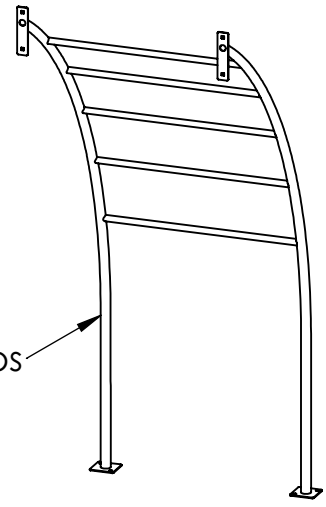
C

10x



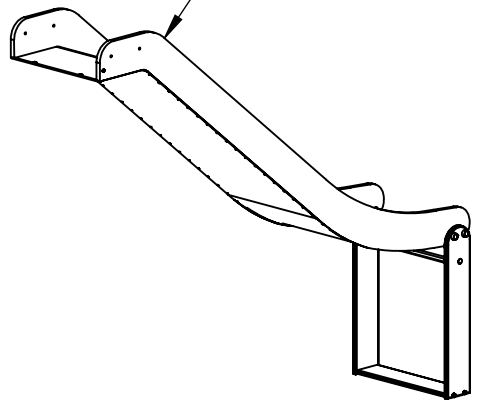
Climbing grip

Arched ladder 5 steps

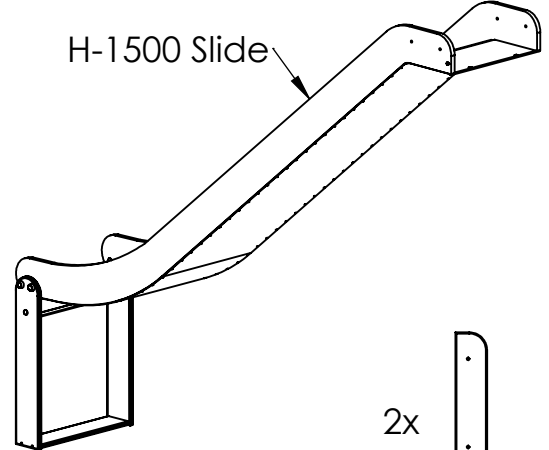


D

H-1200 Slide



H-1500 Slide



E

2x

LM208 climbing pole side panel 126x850mm



UNLESS OTHERWISE SPECIFIED: DIMENSIONS ARE IN MILLIMETERS WEIGHT ARE IN KILOGRAMM				
	NAME	SIGNATURE	DATE	REVISION
DRAWN	I.Agar		12.04.2022	
APPV'D				

PART NUMBER / DWG NO.:	LM208		
DESCRIPTION:	Play centre Alexander		

F



Tiptiptap OÜ

MATERIAL:	wood, metal, plastic	A4
WEIGHT:	SCALE: 1:30	SHEET 10 OF 49

# Wood profile post gap and groundfixing assembly

A

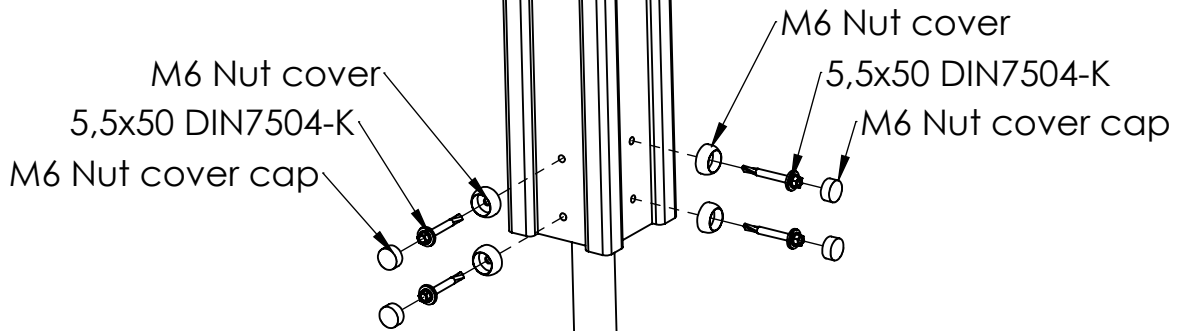
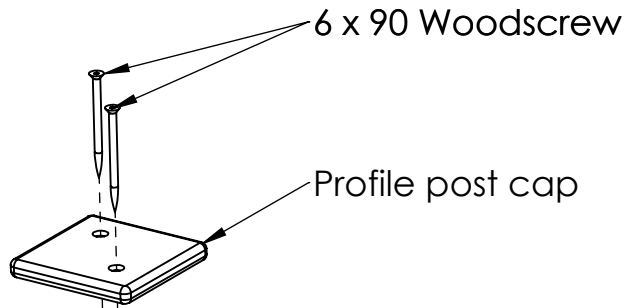
B

C

D

E

F



750mm metal groundfixing

UNLESS OTHERWISE SPECIFIED:  
DIMENSIONS ARE IN MILLIMETERS  
WEIGHT ARE IN KILOGRAMM

PART NUMBER / DWG NO.:

LM208

	NAME	SIGNATURE	DATE	REVISION
DRAWN	I.Agar		12.04.2022	
APPV'D				

DESCRIPTION:

Play centre Alexander

MATERIAL:

wood, metal, plastic

A4

WEIGHT:

SCALE: 1:6

SHEET 11 OF 49

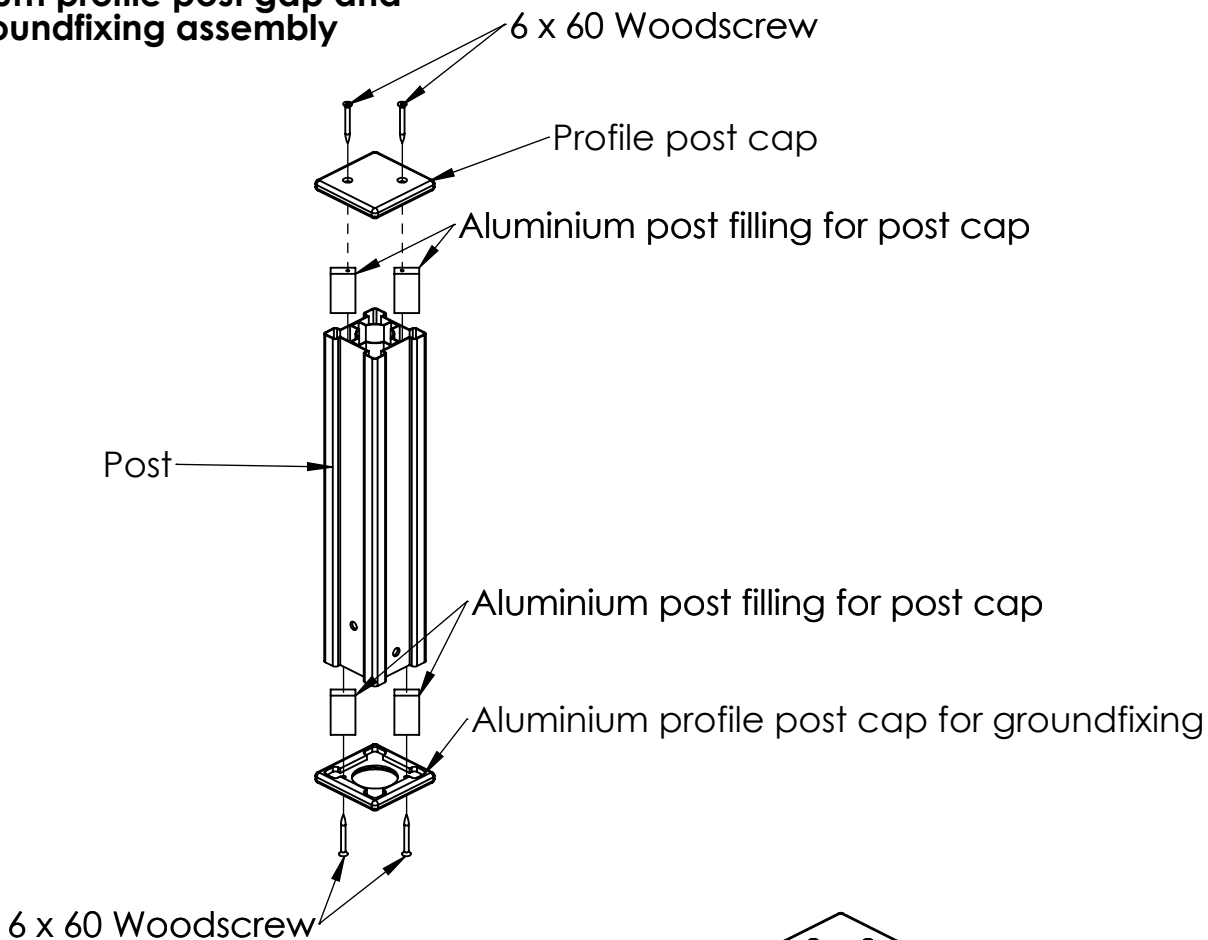


# Tiptiptap<sup>00</sup>

# Aluminium profile post gap and tube groundfixing assembly

A

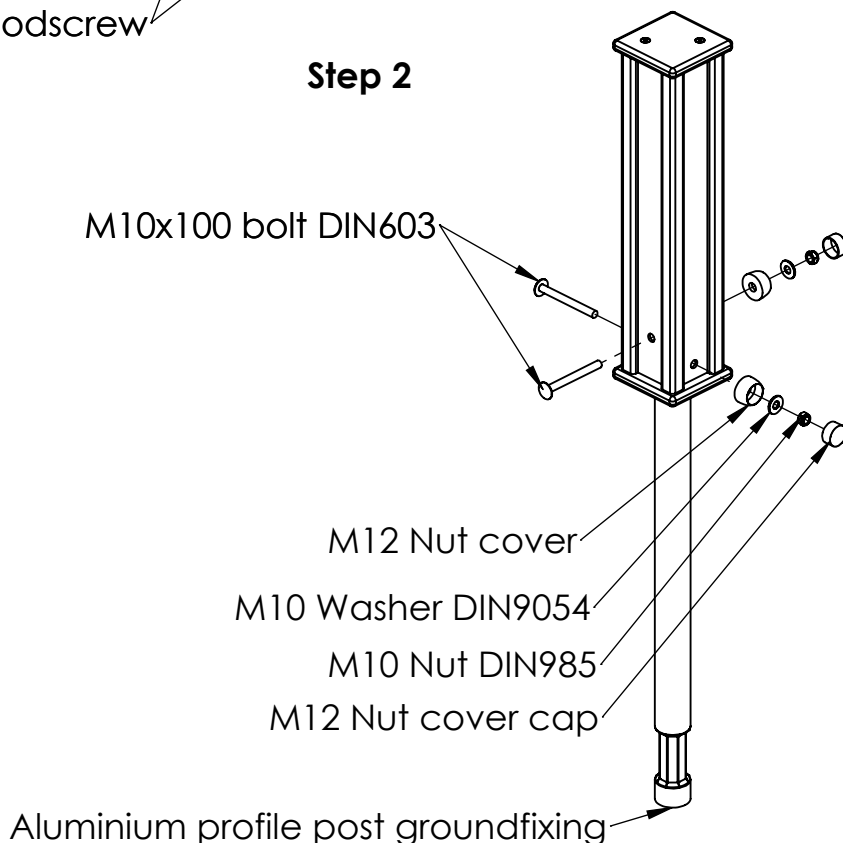
## Step 1



B

C

## Step 2



D

E

UNLESS OTHERWISE SPECIFIED:  
DIMENSIONS ARE IN MILLIMETERS  
WEIGHT ARE IN KILOGRAMM

PART NUMBER / DWG NO.:

LM208

	NAME	SIGNATURE	DATE	REVISION
DRAWN	I.Agar		12.04.2022	
APPV'D				

DESCRIPTION:

Play centre Alexander

MATERIAL:

wood, metal, plastic

A4

WEIGHT:

SCALE: 1:10

SHEET 12 OF 49



Tiptiptap <sup>OO</sup>

F

A

B

C

D

E

F

LM208 2100mm post A-D

LM208 2100mm post A-B

M10x100 bolt DIN603

M12 Nut cover  
M10 Washer DIN9054  
M10 Nut DIN985  
M12 Nut cover cap

6 x 90 Woodscrew

M12 Nut cover cap  
M10 Nut DIN985  
M10 Washer DIN9054  
M12 Nut cover

M10 domed cap nut DIN986

M10x60 bolt DIN603

LM208 2100mm post A-A

LM208 2100mm post A-C

UNLESS OTHERWISE SPECIFIED:  
DIMENSIONS ARE IN MILLIMETERS  
WEIGHT ARE IN KILOGRAMM

PART NUMBER / DWG NO.:

LM208

	NAME	SIGNATURE	DATE	REVISION
DRAWN	I.Agar		12.04.2022	
APPV'D				

DESCRIPTION:

Play centre Alexander

MATERIAL:

wood, metal, plastic

A4

WEIGHT:

SCALE: 1:18

SHEET 13 OF 49



Tiptap OÜ

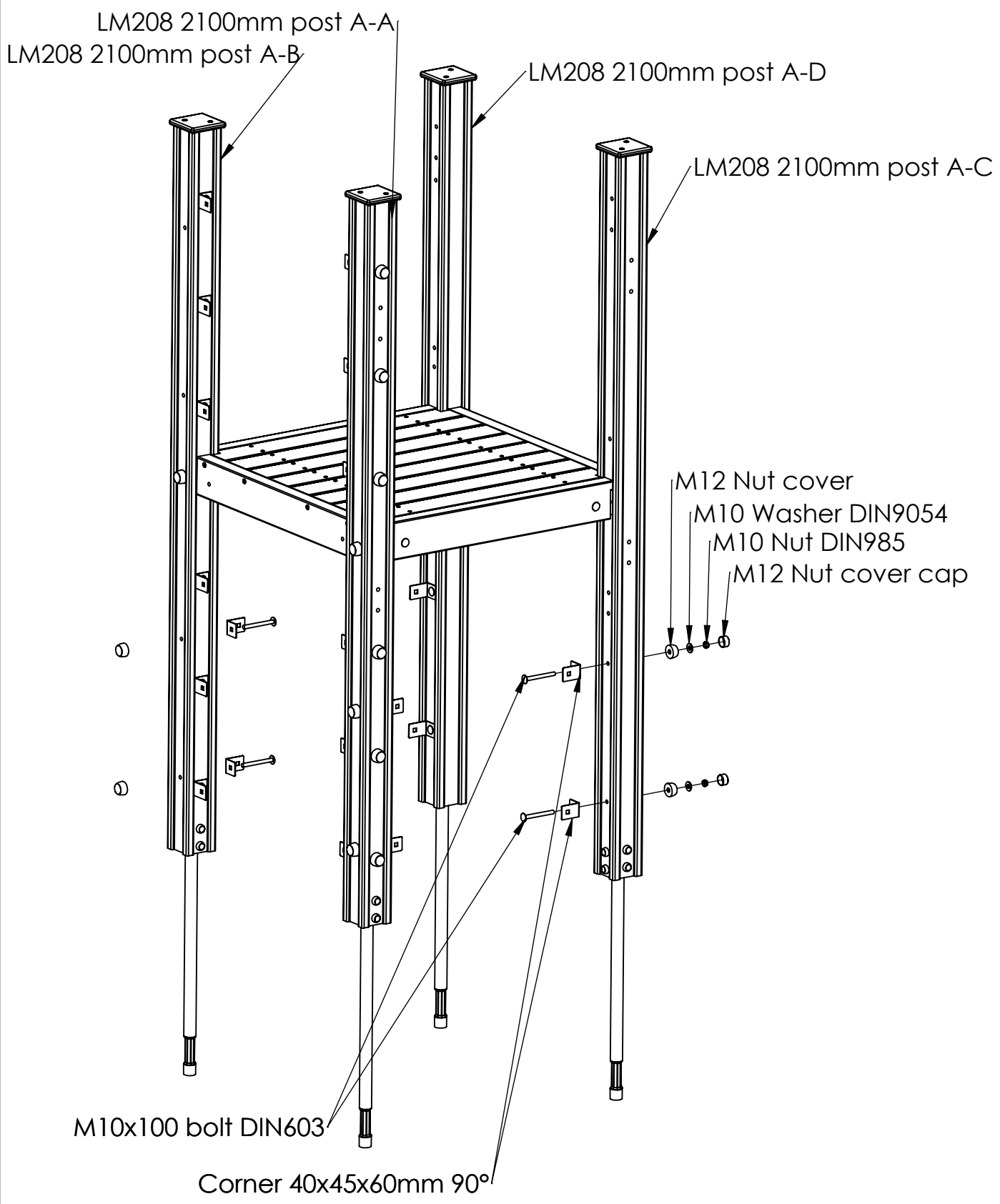
A

B

C

D

E



**All 40x45x60mm corners are installed in the same way!!!**

UNLESS OTHERWISE SPECIFIED: DIMENSIONS ARE IN MILLIMETERS WEIGHT ARE IN KILOGRAMM				
	NAME	SIGNATURE	DATE	REVISION
DRAWN	I.Agar		12.04.2022	
APPV'D				

PART NUMBER / DWG NO.:	LM208
DESCRIPTION:	Play centre Alexander



MATERIAL:	wood, metal, plastic	A4
WEIGHT:	SCALE: 1:15	SHEET 14 OF 49

A

B

C

D

E

F

LM208 2100mm post A-D

LM208 2100mm post A-C

LM208 2100mm post A-A

Slide side panel block 1

LM208 2100mm post A-B

The installation of the slide side guard block are shown on the following pages!!!

UNLESS OTHERWISE SPECIFIED:  
DIMENSIONS ARE IN MILLIMETERS  
WEIGHT ARE IN KILOGRAMM

PART NUMBER / DWG NO.:

LM208

	NAME	SIGNATURE	DATE	REVISION
DRAWN	I.Agar		12.04.2022	
APPV'D				

DESCRIPTION:

Play centre Alexander



Tiptap OÜ

MATERIAL:

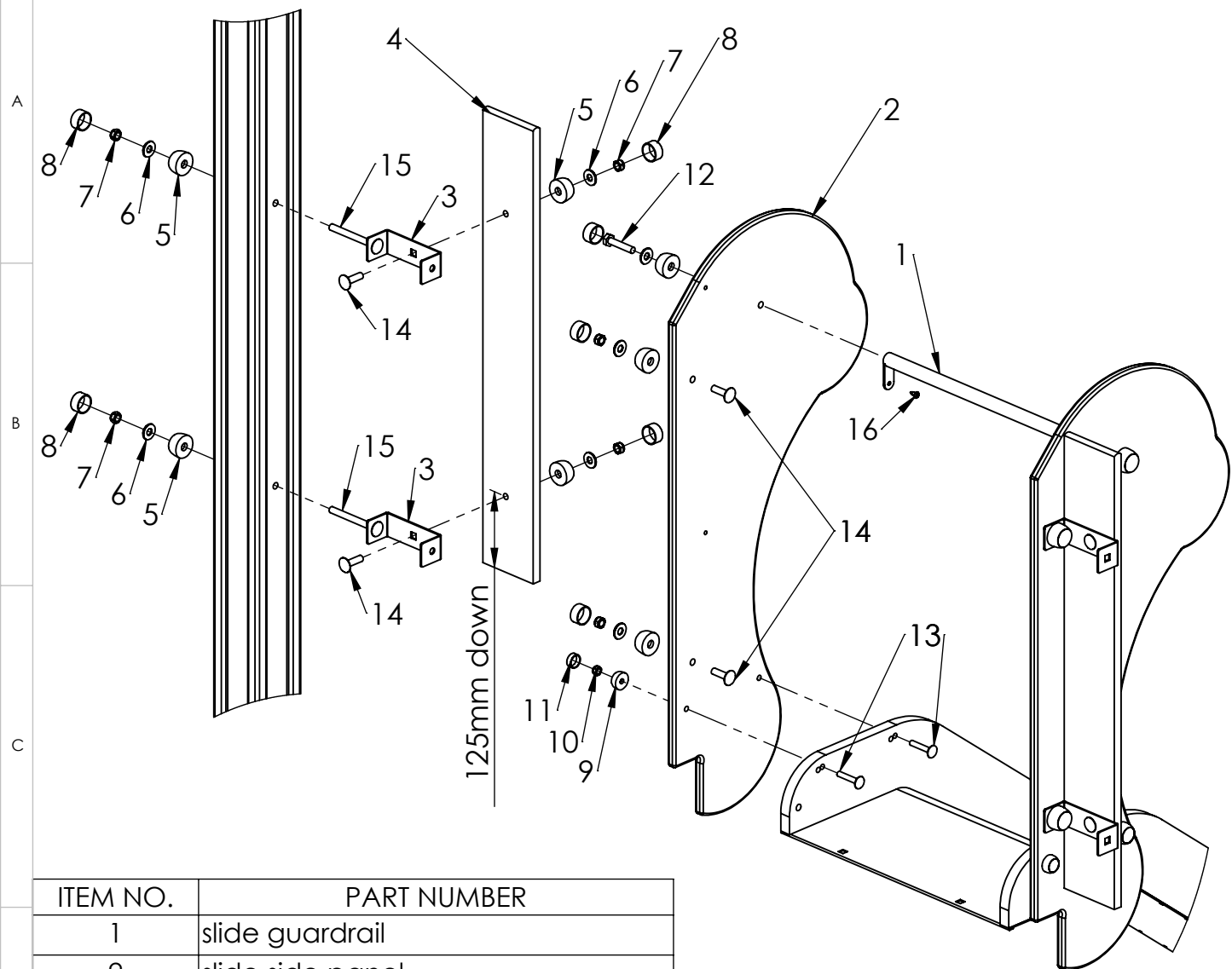
wood, metal, plastic

A4

WEIGHT:

SCALE: 1:15

SHEET 15 OF 49



ITEM NO.	PART NUMBER
1	slide guardrail
2	slide side panel
3	slide side panel fixing (45x123x45)
4	side panel 111x770mm
5	nut cover M12
6	Washer M10 DIN9054
7	nut DIN985 M10
8	nut cover cap M12
9	nut cover M8
10	nut DIN985 M8
11	nut cover cap M8
12	bolt DIN931 M10x50
13	bolt DIN603 M8x45
14	bolt DIN603 M10x35
15	bolt DIN603 M10x100
16	wood screw 4,8x13

UNLESS OTHERWISE SPECIFIED:  
DIMENSIONS ARE IN MILLIMETERS  
WEIGHT ARE IN KILOGRAMM

PART NUMBER / DWG NO.:

LM208

	NAME	SIGNATURE	DATE	REVISION
DRAWN	I.Agar		12.04.2022	
APPV'D				

DESCRIPTION:

Play centre Alexander  
Connecting slide guard block to post

MATERIAL:

wood, metal, plastic

A4

WEIGHT:

SCALE: 1:10

SHEET 16 OF 49



Tiptap OÜ



A

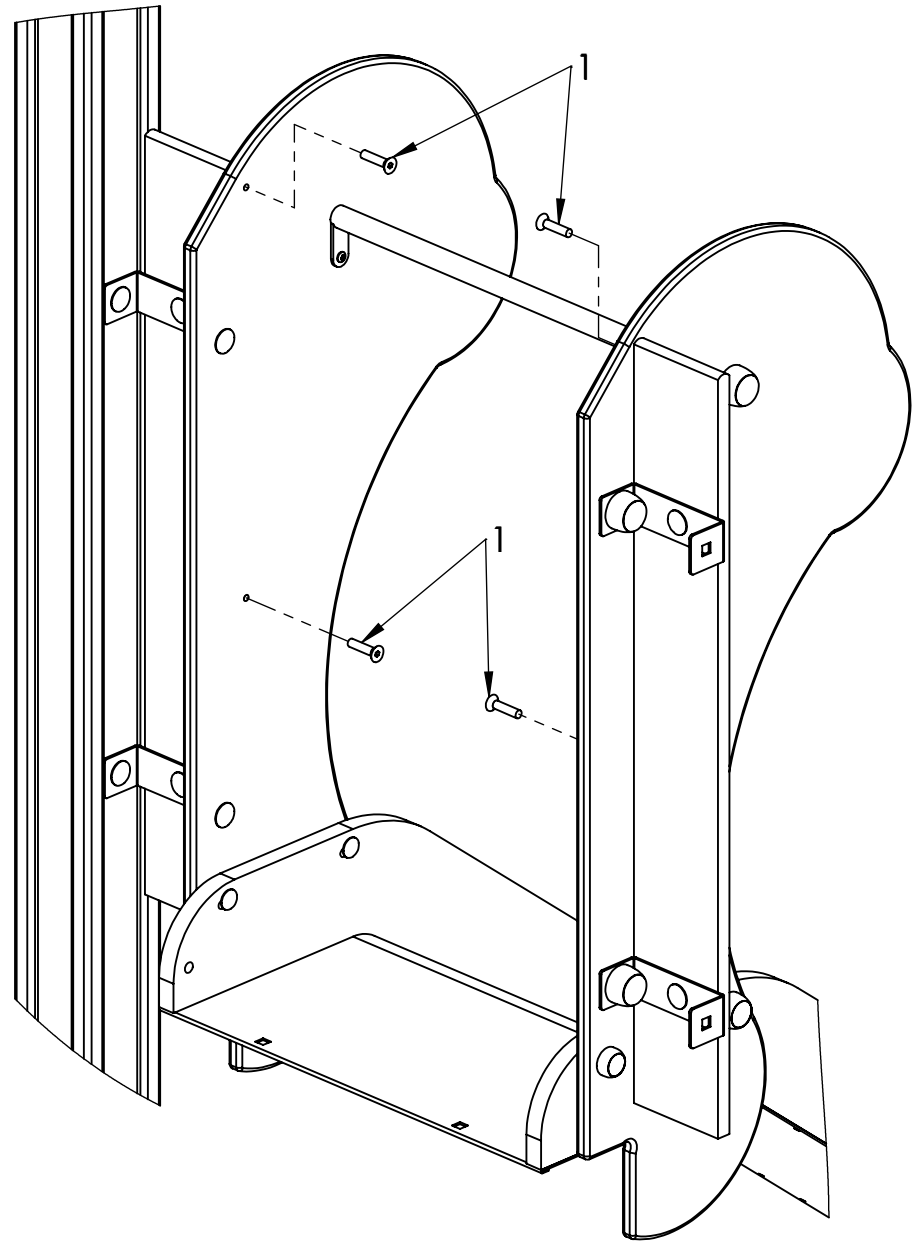
B

C

D

E

F



ITEM NO.	PART NUMBER
1	M6x35 DIN7991

UNLESS OTHERWISE SPECIFIED: DIMENSIONS ARE IN MILLIMETERS WEIGHT ARE IN KILOGRAMM				
	NAME	SIGNATURE	DATE	REVISION
DRAWN	I.Agar		12.04.2022	
APPV'D				

PART NUMBER / DWG NO.:		LM208	
DESCRIPTION:			
Play centre Alexander Connecting slide guard block to post			
MATERIAL:		wood, metal, plastic	A4
WEIGHT:		SCALE: 1:7	SHEET 17 OF 49



**Tiptiptap** <sup>OO</sup>

A  
B  
C  
D  
E

LM208 cheese wall 752x1800mm

M10x80 bolt DIN603

M12 Nut cover cap  
M10 Nut DIN985  
M10 Washer DIN9054  
M12 Nut cover

Playground rectangle panel, lower hole 100mm  
Playground rectangle panel, lower hole 100mm

**The installation of glimbing grips and panels are shown on the following pages!!!**

UNLESS OTHERWISE SPECIFIED: DIMENSIONS ARE IN MILLIMETERS WEIGHT ARE IN KILOGRAMM				
	NAME	SIGNATURE	DATE	REVISION
DRAWN	I.Agar		12.04.2022	
APPV'D				

PART NUMBER / DWG NO.:	LM208
DESCRIPTION:	Play centre Alexander



Tiptap OÜ

MATERIAL:	wood, metal, plastic	A4
WEIGHT:	SCALE: 1:15	SHEET 18 OF 49

A

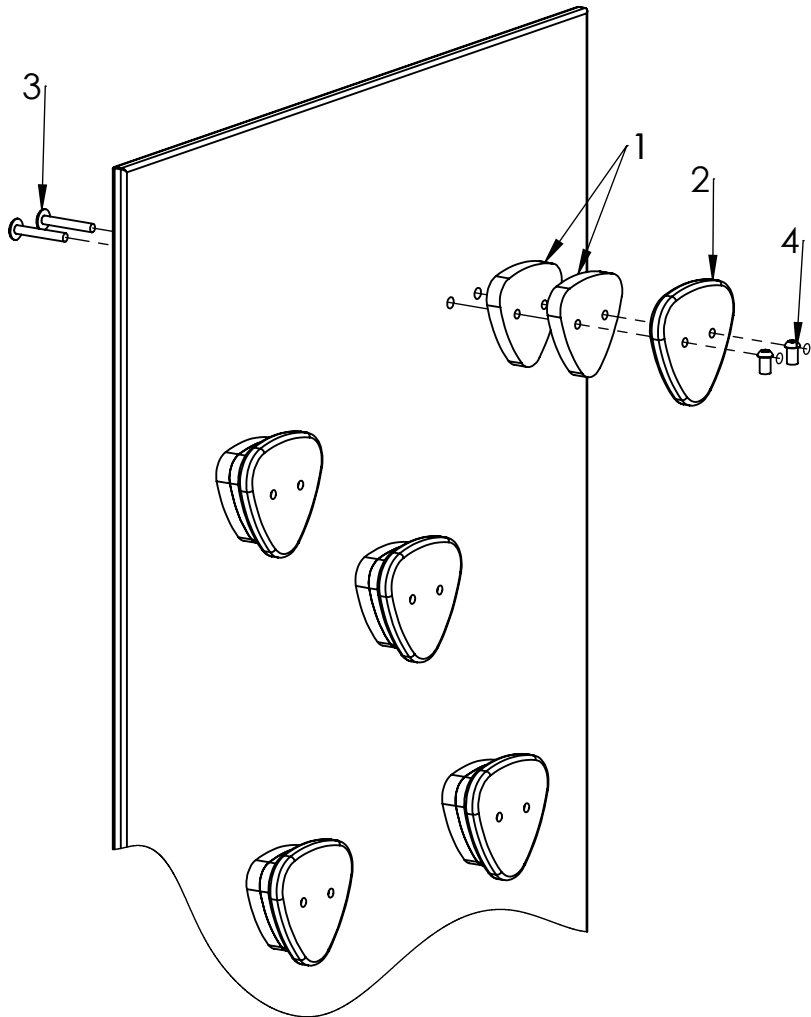
B

C

D

E

F



ITEM NO.	PART NUMBER
1	climbing grip base
2	climbing grip
3	bolt DIN603 M8x55
4	M8 safety nut

UNLESS OTHERWISE SPECIFIED:  
 DIMENSIONS ARE IN MILLIMETERS  
 WEIGHT ARE IN KILOGRAMM

PART NUMBER / DWG NO.:  
**LM208**

	NAME	SIGNATURE	DATE	REVISION
DRAWN	I.Agar			
APPV'D				

DESCRIPTION:  
 Play centre Alexander  
 Assembling climbing grip to wall



MATERIAL:	wood, metal, plastic	A4
WEIGHT:		SCALE: 1:7
		SHEET 19 OF 49

A

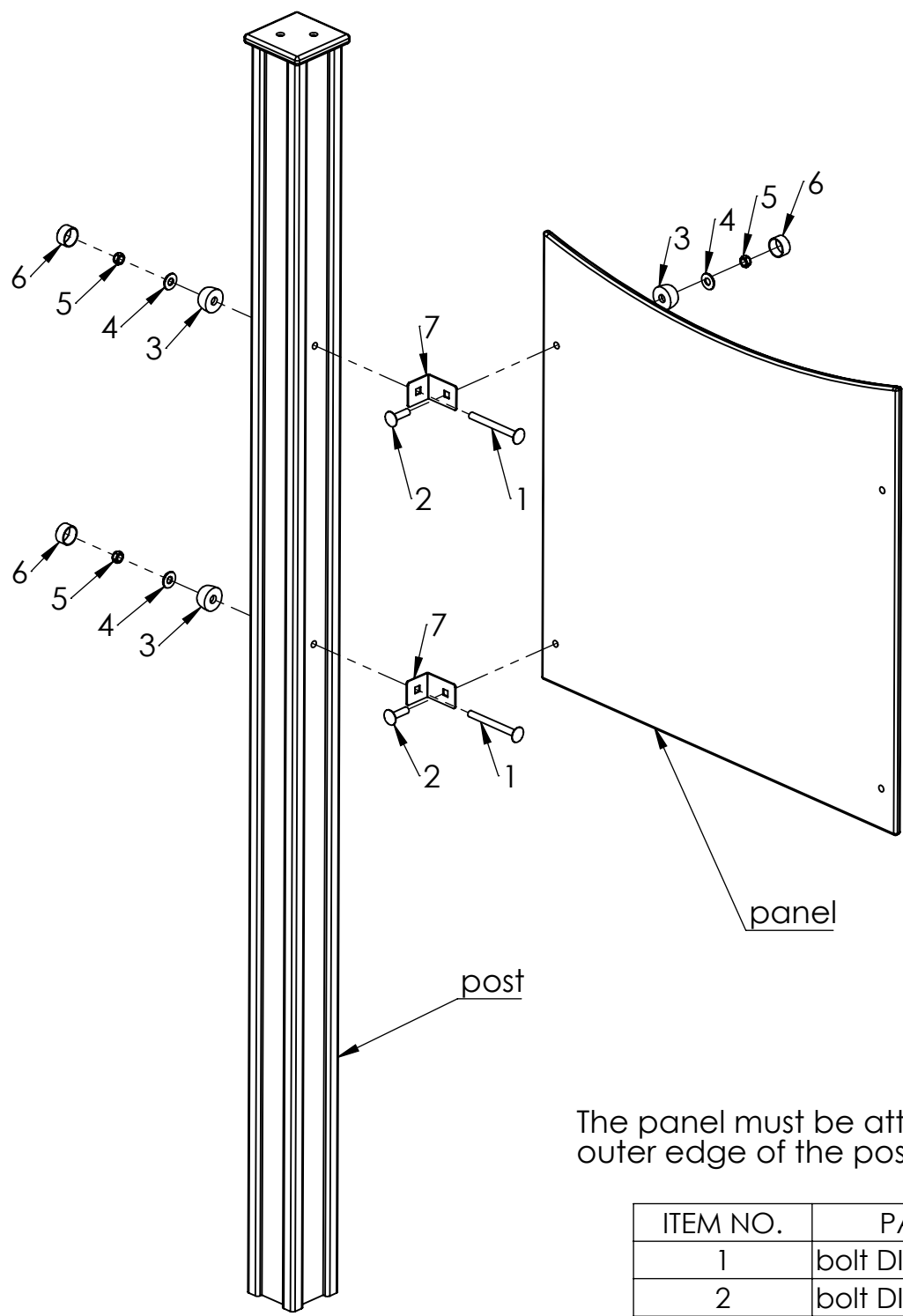
B

C

D

E

F



The panel must be attached to the outer edge of the post !!!

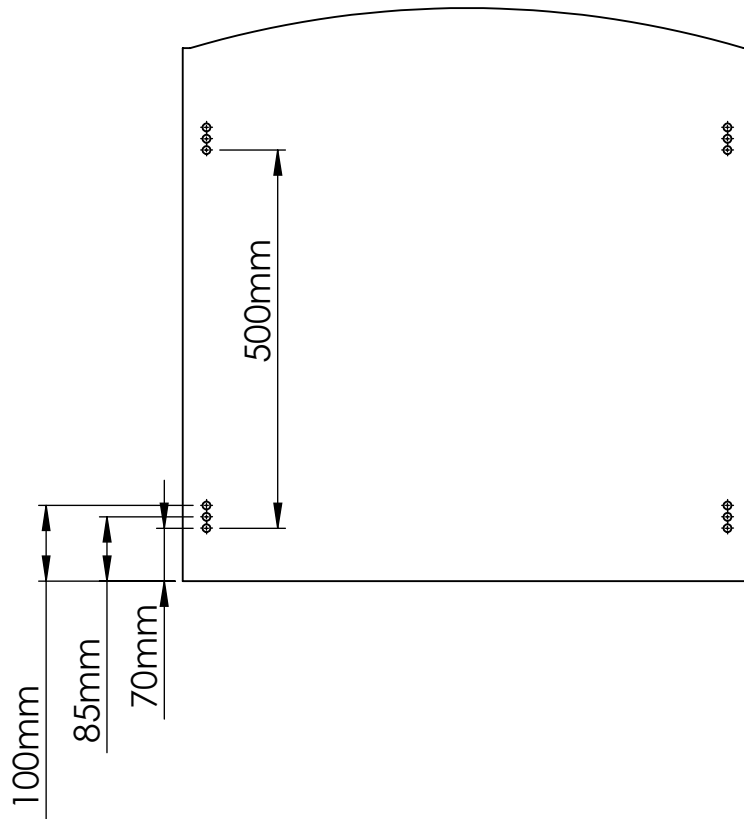
ITEM NO.	PART NUMBER
1	bolt DIN603 M10x100
2	bolt DIN603 M10x35
3	nut cover M12
4	Washer M10 DIN9054
5	nut DIN985 M10
6	nut cover cap M12
7	Corner 90° (45x60)

UNLESS OTHERWISE SPECIFIED: DIMENSIONS ARE IN MILLIMETERS WEIGHT ARE IN KILOGRAMM				
	NAME	SIGNATURE	DATE	REVISION
DRAWN	I.Agar		12.04.2022	
APPV'D				

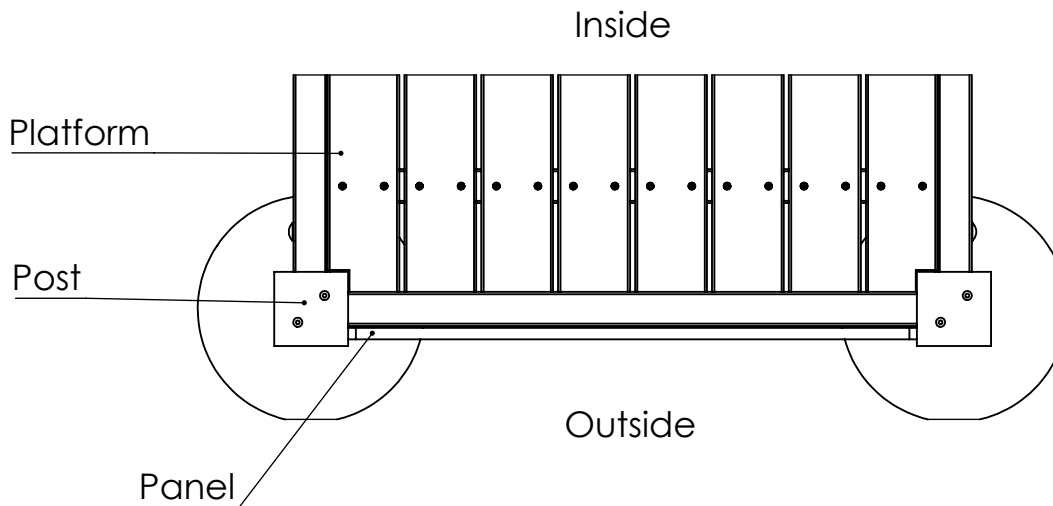
PART NUMBER / DWG NO.:		LM208	
DESCRIPTION:			
Play centre Alexander connecting panel to post			
MATERIAL:		wood, metal, plastic	A4
WEIGHT:		SCALE: 1:10	SHEET 20 OF 49



Explanation of the 'lower hole' behind the panel name:



The panel must be installed on the post as shown in the picture!



UNLESS OTHERWISE SPECIFIED:  
DIMENSIONS ARE IN MILLIMETERS  
WEIGHT ARE IN KILOGRAMM

PART NUMBER / DWG NO.:

LM208

	NAME	SIGNATURE	DATE	REVISION
DRAWN	I.Agar		12.04.2022	
APPV'D				

DESCRIPTION:

Play centre Alexander  
connecting panel to post

MATERIAL:

wood, metal, plastic

A4

WEIGHT:

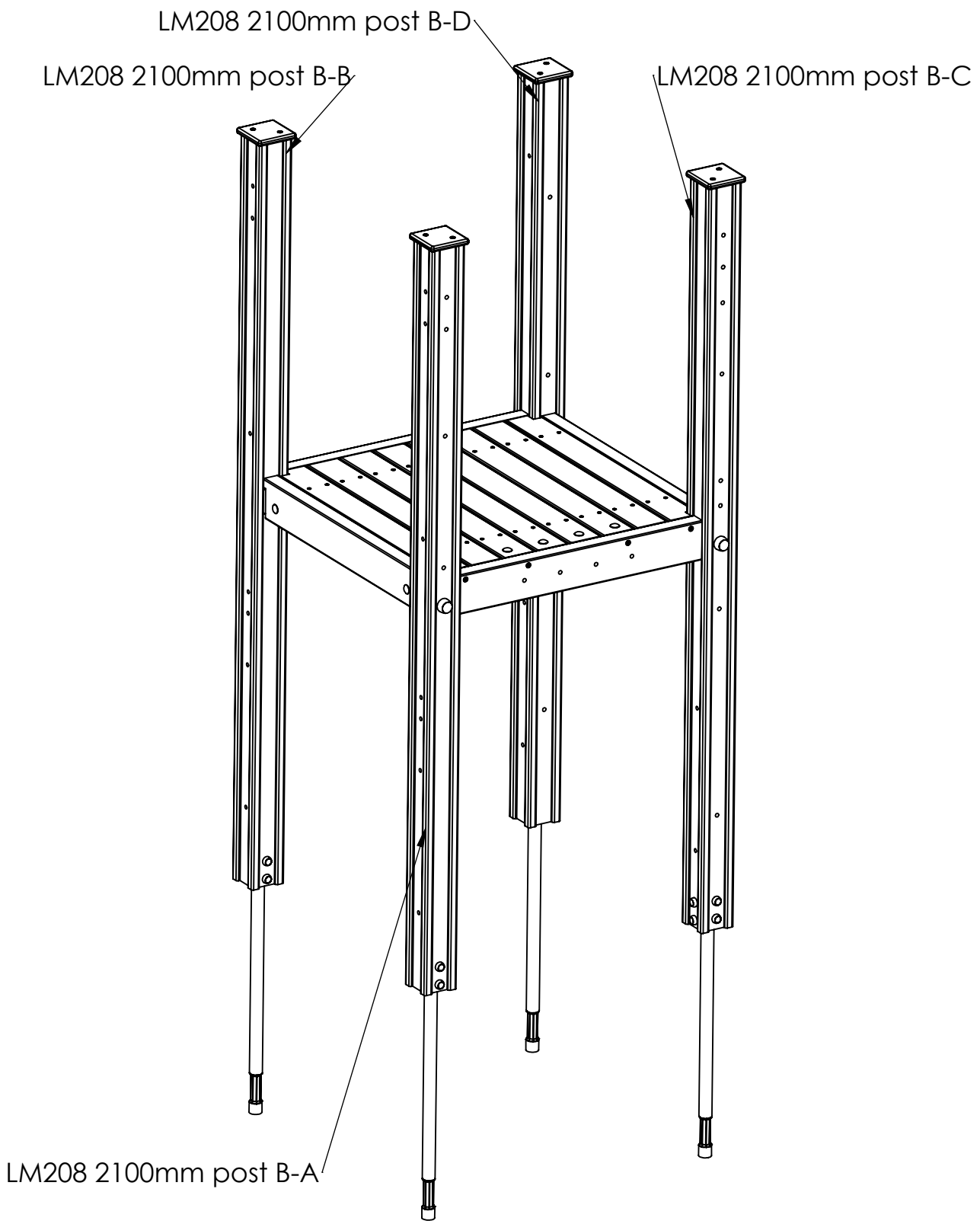
SCALE: 1:10

SHEET 21 OF 49



Tiptap OÜ

A  
B  
C  
D  
E



**This platform will be installed in the same way as before!!**

UNLESS OTHERWISE SPECIFIED: DIMENSIONS ARE IN MILLIMETERS WEIGHT ARE IN KILOGRAMM				
	NAME	SIGNATURE	DATE	REVISION
DRAWN	I.Agar		12.04.2022	
APPV'D				

PART NUMBER / DWG NO.:	LM208
DESCRIPTION:	Play centre Alexander



MATERIAL:	wood, metal, plastic	A4
WEIGHT:	SCALE: 1:15	SHEET 22 OF 49

A

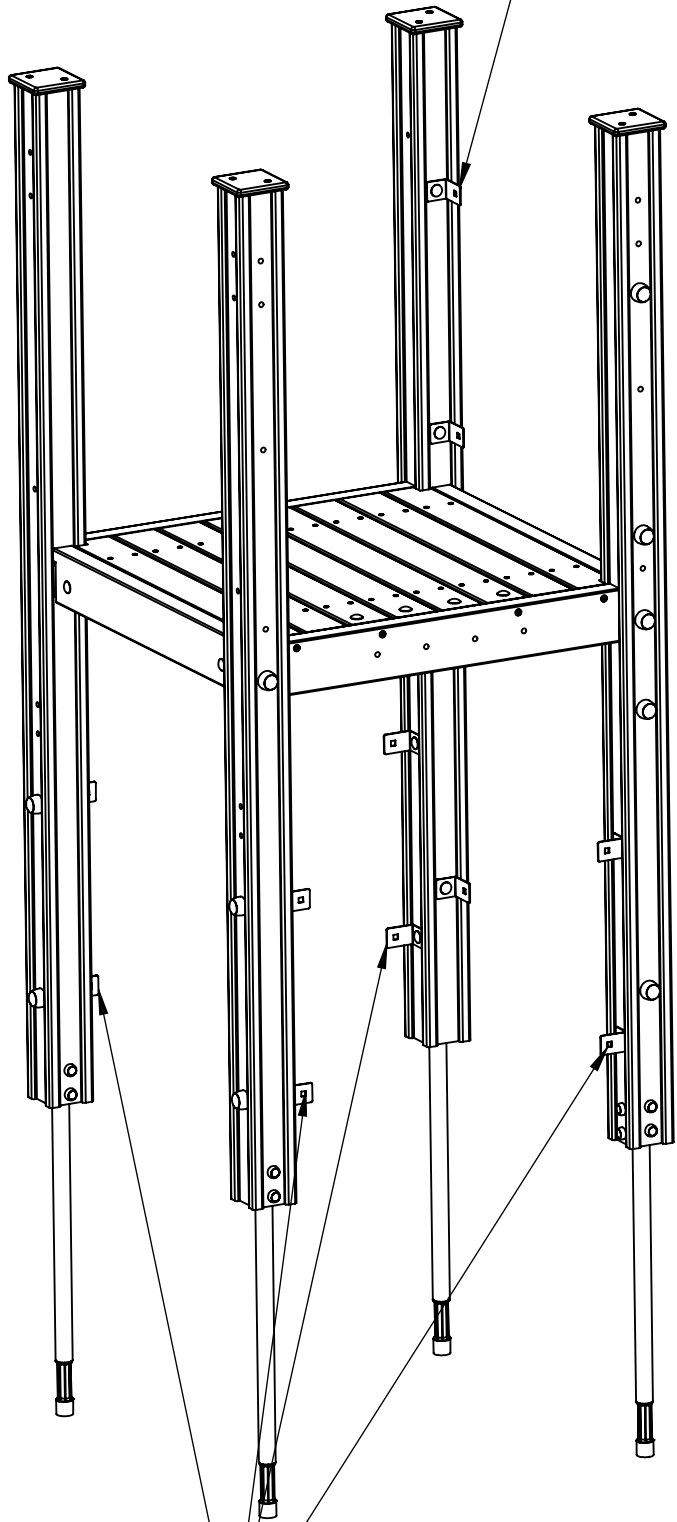
B

C

D

E

Corner 40x45x60mm 90°



Corner 40x45x60mm 90°

**These 40x45x60mm corners will be installed in the same way as before!!**

UNLESS OTHERWISE SPECIFIED:  
DIMENSIONS ARE IN MILLIMETERS  
WEIGHT ARE IN KILOGRAMM

PART NUMBER / DWG NO.:

LM208

	NAME	SIGNATURE	DATE	REVISION
DRAWN	I. Agar		12.04.2022	
APPV'D				

DESCRIPTION:

Play centre Alexander

F



Tiptiptap OÜ

MATERIAL:

wood, metal, plastic

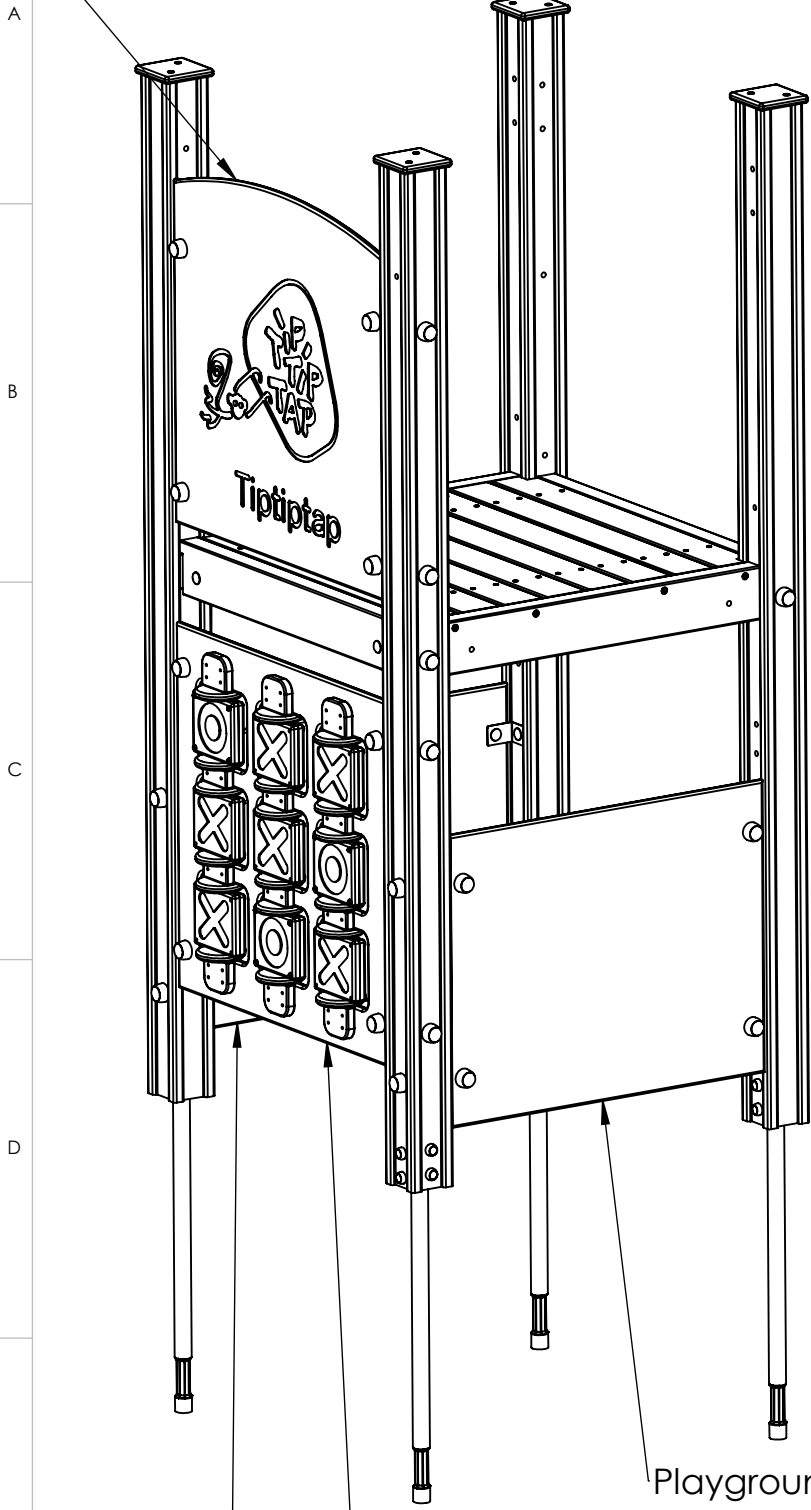
A4

WEIGHT:

SCALE: 1:15

SHEET 23 OF 49

Playground upward curved panel, lower hole 70mm with logo



**These panels will be installed in the same way as before!!**

Playground rectangle panel, lower hole 100mm

Tic tac toe

Playground rectangle panel, lower hole 100mm

UNLESS OTHERWISE SPECIFIED:  
DIMENSIONS ARE IN MILLIMETERS  
WEIGHT ARE IN KILOGRAMM

PART NUMBER / DWG NO.:  
**LM208**

	NAME	SIGNATURE	DATE	REVISION
DRAWN	I.Agar		12.04.2022	
APPV'D				

DESCRIPTION:  
**Play centre Alexander**



MATERIAL:	wood, metal, plastic	A4
WEIGHT:		SCALE: 1:15
		SHEET 24 OF 49



A

B

C

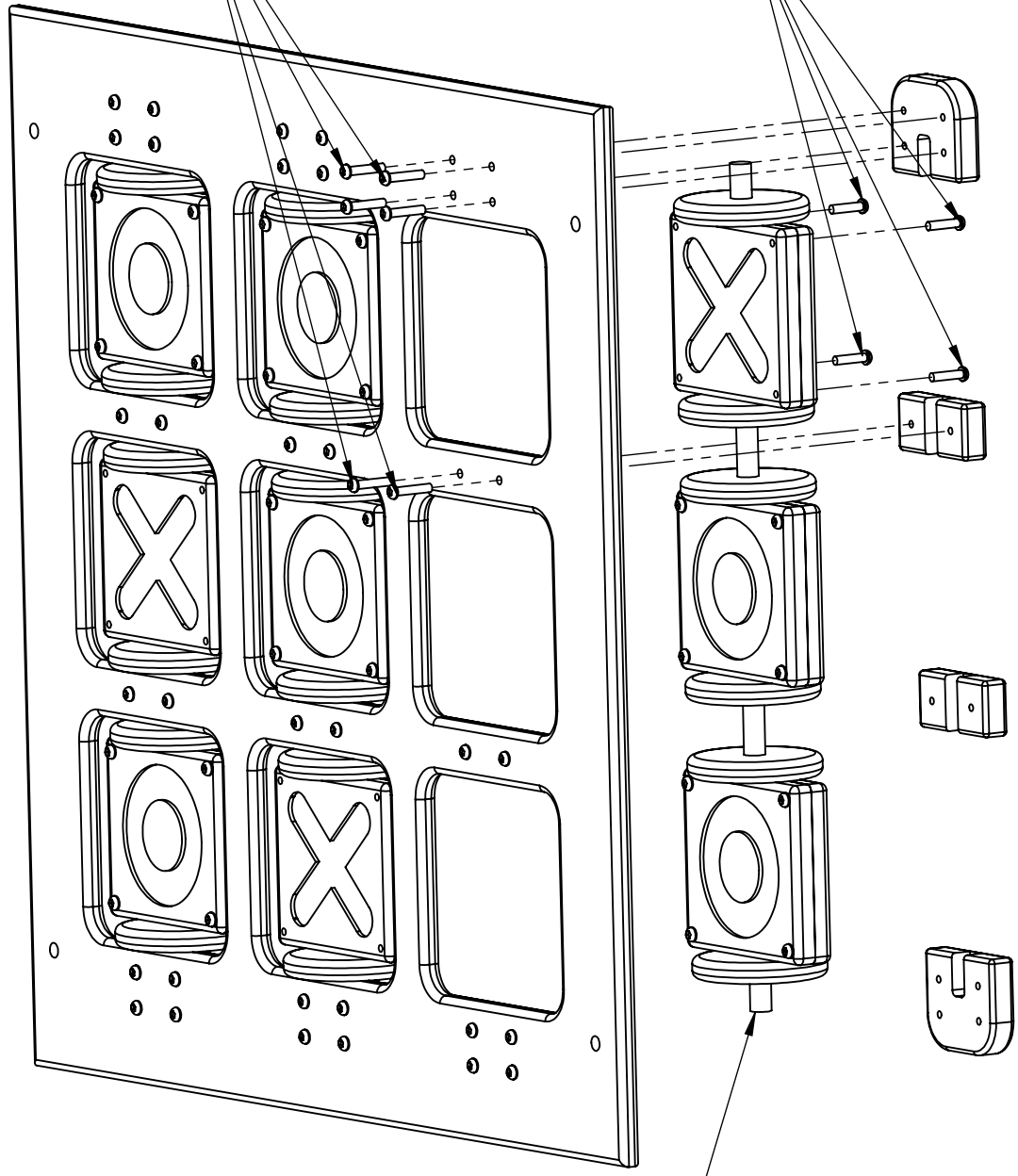
D

E

F

6x30 SKK ISO 7380

6x25 SKK ISO 7380



600mm stick

UNLESS OTHERWISE SPECIFIED: DIMENSIONS ARE IN MILLIMETERS WEIGHT ARE IN KILOGRAMM				
	NAME	SIGNATURE	DATE	REVISION
DRAWN	I.Agar		12.04.2022	
APPV'D				

PART NUMBER / DWG NO.:	LM208
DESCRIPTION:	Play centre Alexander



MATERIAL:	wood, metal, plastic	A4
WEIGHT:	SCALE: 1:5	SHEET 25 OF 49

A

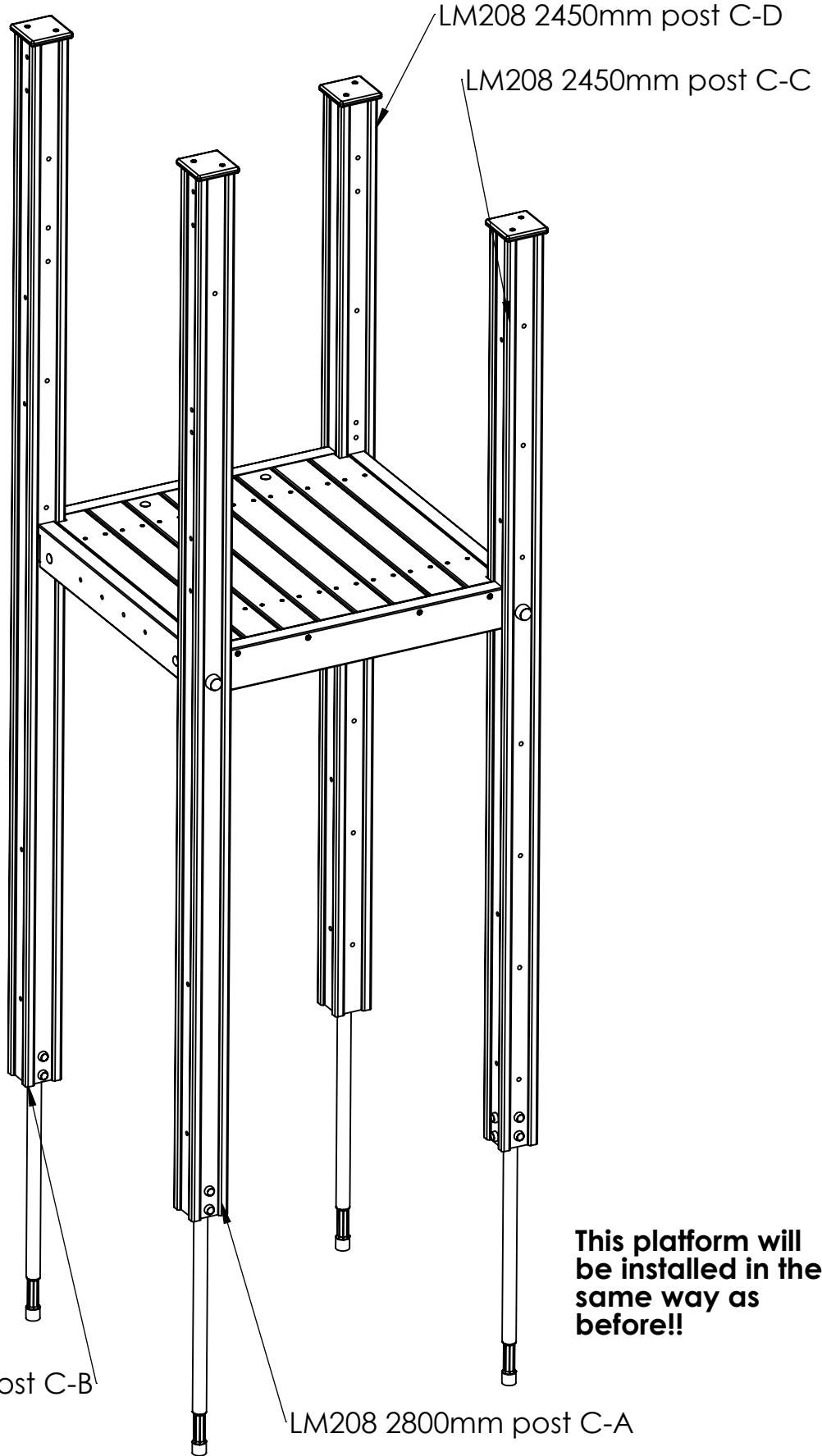
B

C

D

E

F



**This platform will be installed in the same way as before!!**

UNLESS OTHERWISE SPECIFIED: DIMENSIONS ARE IN MILLIMETERS WEIGHT ARE IN KILOGRAMM				
	NAME	SIGNATURE	DATE	REVISION
DRAWN	I.Agar		12.04.2022	
APPV'D				

PART NUMBER / DWG NO.:	LM208
DESCRIPTION:	Play centre Alexander



MATERIAL:	wood, metal, plastic	A4
WEIGHT:	SCALE: 1:15	SHEET 26 OF 49

A

B

C

D

E

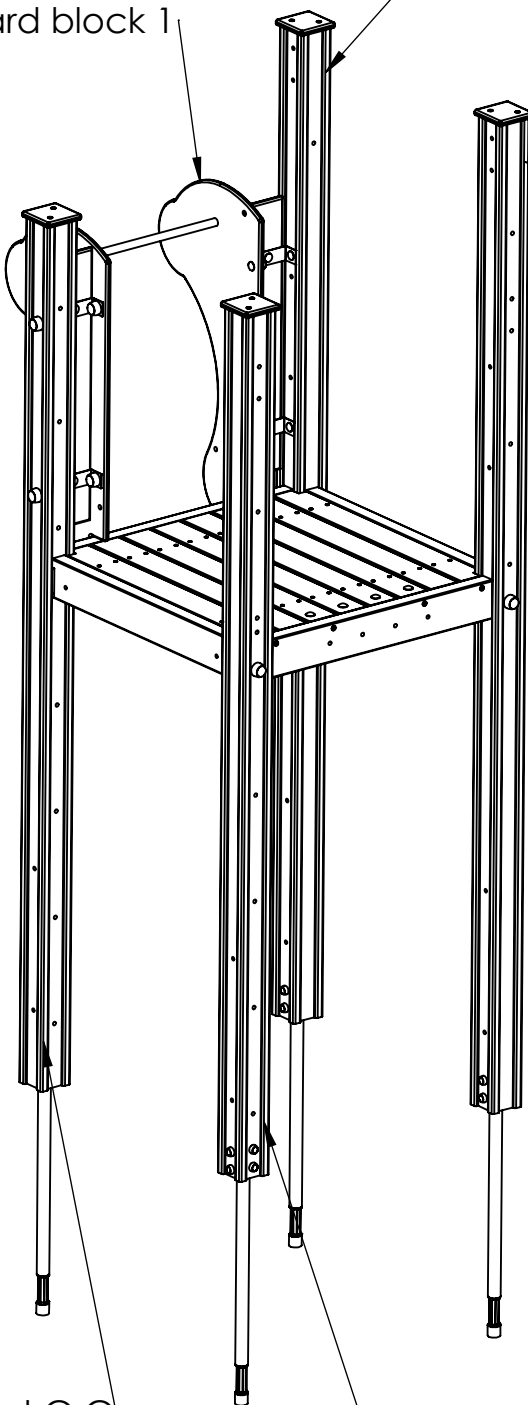
F

Slide side guard block 1

LM208 2800mm post C-A

LM208 2800mm post C-B

**This slide side guard block 1 will be installed in the same way as before!!**



LM208 2450mm post C-C

LM208 2450mm post C-D

UNLESS OTHERWISE SPECIFIED:  
DIMENSIONS ARE IN MILLIMETERS  
WEIGHT ARE IN KILOGRAMM

PART NUMBER / DWG NO.:

LM208

	NAME	SIGNATURE	DATE	REVISION
DRAWN	I.Agar		12.04.2022	
APPV'D				

DESCRIPTION:

Play centre Alexander



Tiptiptap<sup>00</sup>

MATERIAL:

wood, metal, plastic

A4

WEIGHT:

SCALE: 1:20

SHEET 27 OF 49

A

LM208 2800mm post C-A

LM208 2800mm post C-B

LM208 2450mm post C-C

B

LM208 2450mm post C-D

C

D

Corner 40x45x60mm 90°

E

**These 40x45x60mm corners will be installed in the same way as before!!**

UNLESS OTHERWISE SPECIFIED: DIMENSIONS ARE IN MILLIMETERS WEIGHT ARE IN KILOGRAMM				
	NAME	SIGNATURE	DATE	REVISION
DRAWN	I.Agar		12.04.2022	
APPV'D				

PART NUMBER / DWG NO.:	LM208
DESCRIPTION:	Play centre Alexander



MATERIAL:	wood, metal, plastic	A4
WEIGHT:	SCALE: 1:20	SHEET 28 OF 49

A

Playground retangle panel, lower hole 100mm

LM208 2800mm post C-A

LM208 2450mm post C-C

LM208 2800mm post C-B

B

LM208 2450mm post C-D

C

D

**These panels will be installed in the same way as before!!**

E

LM208 cheese wall 752x2100mm

Playground retangle panel, lower hole 100mm

F

UNLESS OTHERWISE SPECIFIED: DIMENSIONS ARE IN MILLIMETERS WEIGHT ARE IN KILOGRAMM				
	NAME	SIGNATURE	DATE	REVISION
DRAWN	I.Agar		12.04.2022	
APPV'D				

PART NUMBER / DWG NO.:	LM208
DESCRIPTION:	Play centre Alexander



MATERIAL:	wood, metal, plastic	A4
WEIGHT:	SCALE: 1:20	SHEET 29 OF 49

# DETAIL B

## SCALE 1 : 15

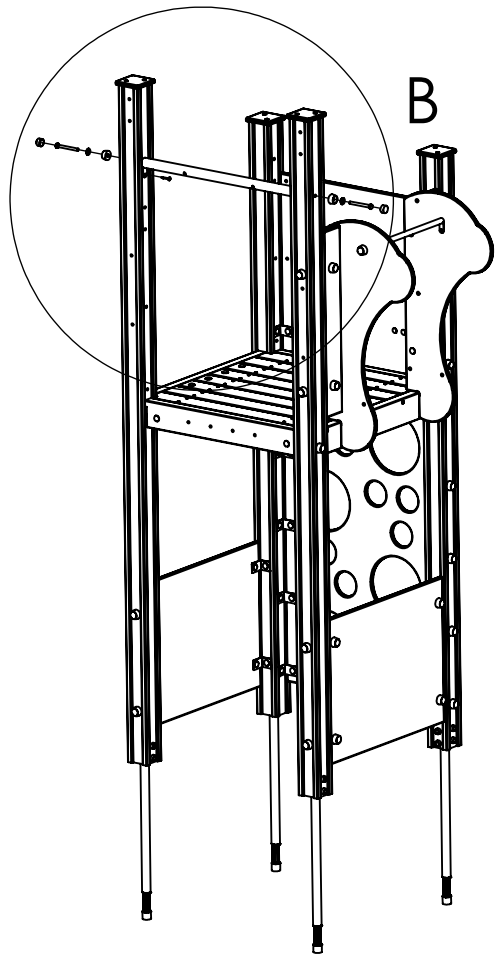
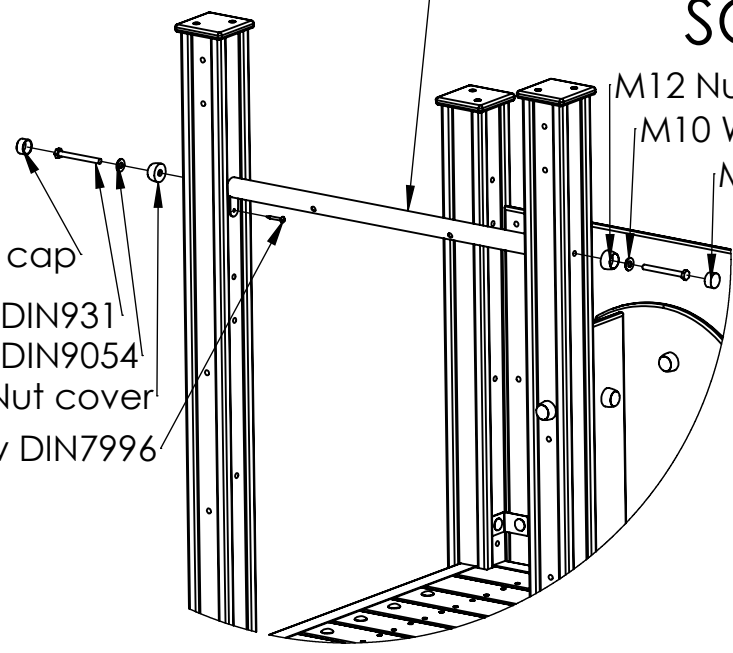
A  
B  
C  
D  
E  
F

Guardrail d.40x770 with 2 holes

M12 Nut cover cap

M10x100 bolt DIN931  
M10 Washer DIN9054  
M12 Nut cover  
5x40 Screw DIN7996

M12 Nut cover  
M10 Washer DIN9054  
M12 Nut cover cap



UNLESS OTHERWISE SPECIFIED:  
DIMENSIONS ARE IN MILLIMETERS  
WEIGHT ARE IN KILOGRAMM

PART NUMBER / DWG NO.:  
**LM208**

	NAME	SIGNATURE	DATE	REVISION
DRAWN	I.Agar		12.04.2022	
APPV'D				

DESCRIPTION:  
**Play centre Alexander**



MATERIAL:	wood, metal, plastic	A4
WEIGHT:		SCALE: 1:30
		SHEET 30 OF 49

A

B

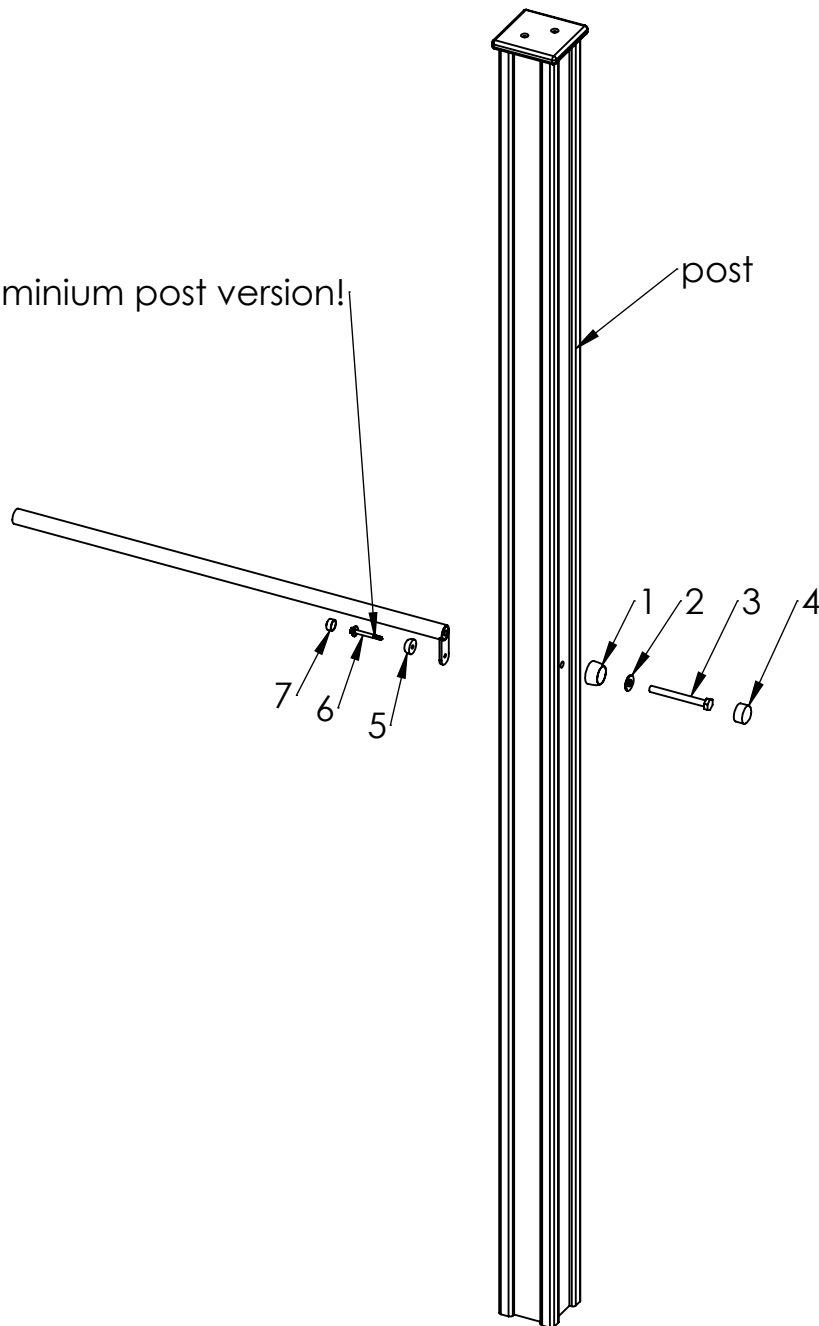
C

D

E

F

Aluminium post version!



ITEM NO.	PART NUMBER
1	nut cover M12
2	Washer M10 DIN9054
3	bolt DIN931 M10x100
4	nut cover cap M12
5	nut cover M6
6	screw DIN7504K 5,5x50
7	nut cover cap M6

UNLESS OTHERWISE SPECIFIED: DIMENSIONS ARE IN MILLIMETERS WEIGHT ARE IN KILOGRAMM				
	NAME	SIGNATURE	DATE	REVISION
DRAWN	I.Agar			
APPV'D				

PART NUMBER / DWG NO.:  
**LM208**

DESCRIPTION:  
**Play centre Alexander**

MATERIAL: **wood, metal, plastic** A4

WEIGHT: SCALE: 1:12 SHEET 31 OF 49



A

LM208 2800mm post D-D

LM208 2800mm post D-C

LM208 2450mm post D-B

B

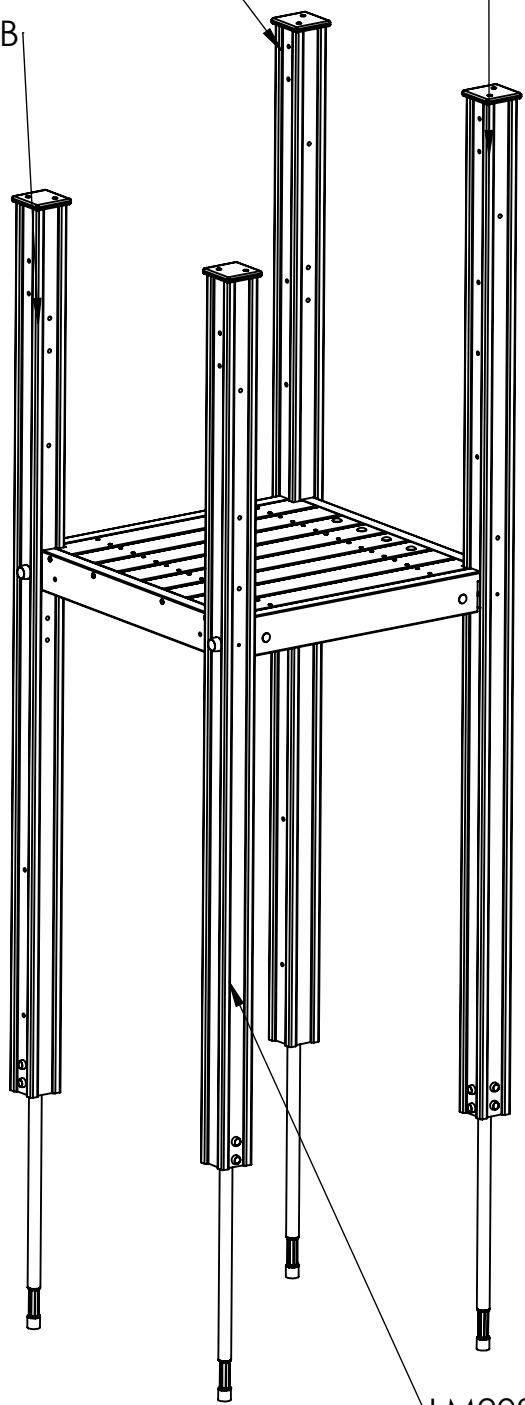
C

D

E

LM208 2450mm post D-A

**This platform will be installed in the same way as before!!**



UNLESS OTHERWISE SPECIFIED:  
DIMENSIONS ARE IN MILLIMETERS  
WEIGHT ARE IN KILOGRAMM

PART NUMBER / DWG NO.:  
**LM208**

	NAME	SIGNATURE	DATE	REVISION
DRAWN	I.Agar		12.04.2022	
APPV'D				

DESCRIPTION:  
**Play centre Alexander**



MATERIAL:	wood, metal, plastic	A4
WEIGHT:		SCALE: 1:20
		SHEET 32 OF 49



A

B

C

D

E

F

L-100mm corner

LM208 2800mm post D-D

LM208 2800mm post D-C

LM208 2450mm post D-B

LM208 2450mm post D-A

Corner 40x45x60mm 90°

**These 40x45x60mm corners will be installed in the same way as before and L-corners same way!!!**

UNLESS OTHERWISE SPECIFIED: DIMENSIONS ARE IN MILLIMETERS WEIGHT ARE IN KILOGRAMM				
	NAME	SIGNATURE	DATE	REVISION
DRAWN	I.Agar		12.04.2022	
APPV'D				

PART NUMBER / DWG NO.:	LM208
DESCRIPTION:	Play centre Alexander



MATERIAL:	wood, metal, plastic	A4
WEIGHT:	SCALE: 1:20	SHEET 33 OF 49

A

B

C

D

E

LM208 2450mm post D-B

LM208 2800mm post D-D

LM208 2800mm post D-C

The installation of this angle is shown on the following pages!

These panels will be installed in the same way as before!!

LM208 2450mm post D-A

Playground retangle panel, lower hole 100mm

LM208 climbing pole side panel 126x850mm

UNLESS OTHERWISE SPECIFIED:  
DIMENSIONS ARE IN MILLIMETERS  
WEIGHT ARE IN KILOGRAMM

PART NUMBER / DWG NO.:

LM208

	NAME	SIGNATURE	DATE	REVISION
DRAWN	I.Agar		12.04.2022	
APPV'D				

DESCRIPTION:

Play centre Alexander

MATERIAL:

wood, metal, plastic

A4

WEIGHT:

SCALE: 1:20

SHEET 34 OF 49



Tiptap OÜ

A

B

C

D

E

F

Guardrail d.40x770 with 2 holes

5x40 Screw DIN7996

M10 Washer DIN9054

M10x100 bolt DIN931

M12 Nut cover cap

M12 Nut cover

LM208 2800mm post D-C

M12 Nut cover  
M10 Washer DIN9054  
M10x100 bolt DIN931

M12 Nut cover cap

LM208 2450mm post D-A

LM208 2450mm post D-B

LM208 2800mm post D-D

UNLESS OTHERWISE SPECIFIED:  
DIMENSIONS ARE IN MILLIMETERS  
WEIGHT ARE IN KILOGRAMM

PART NUMBER / DWG NO.:

LM208

	NAME	SIGNATURE	DATE	REVISION
DRAWN	I.Agar		12.04.2022	
APPV'D				

DESCRIPTION:

Play centre Alexander

MATERIAL:

wood, metal, plastic

A4

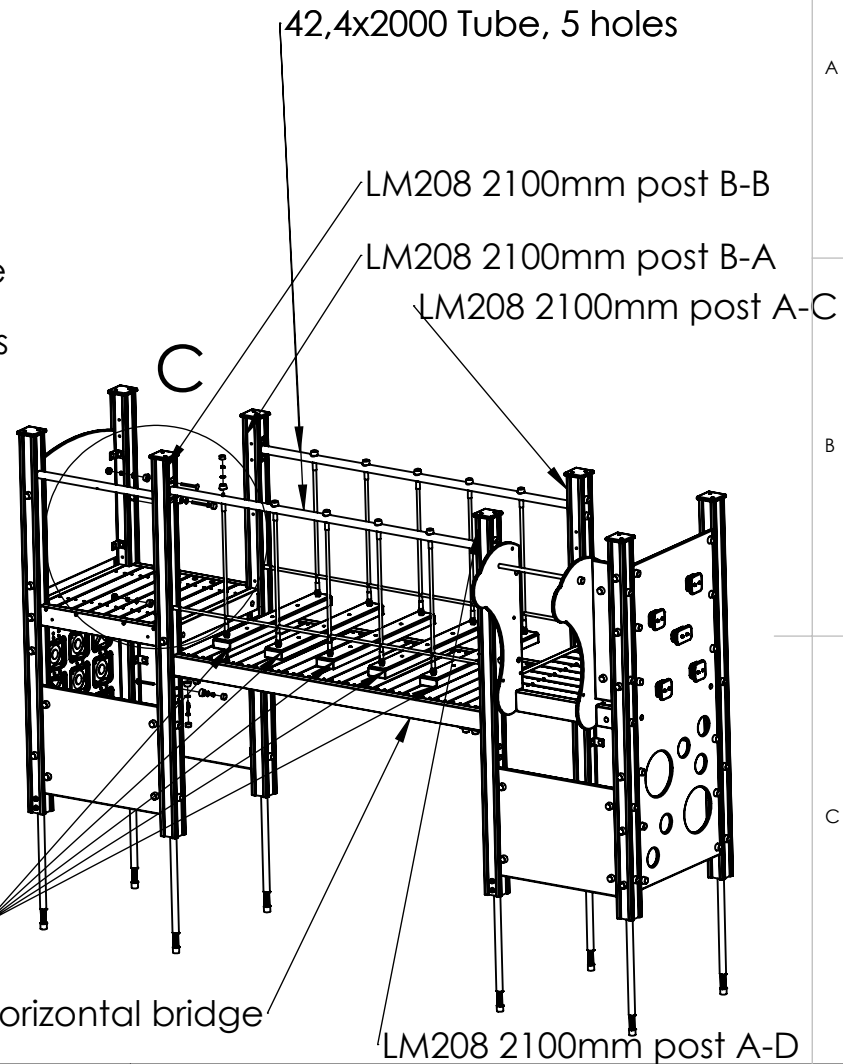
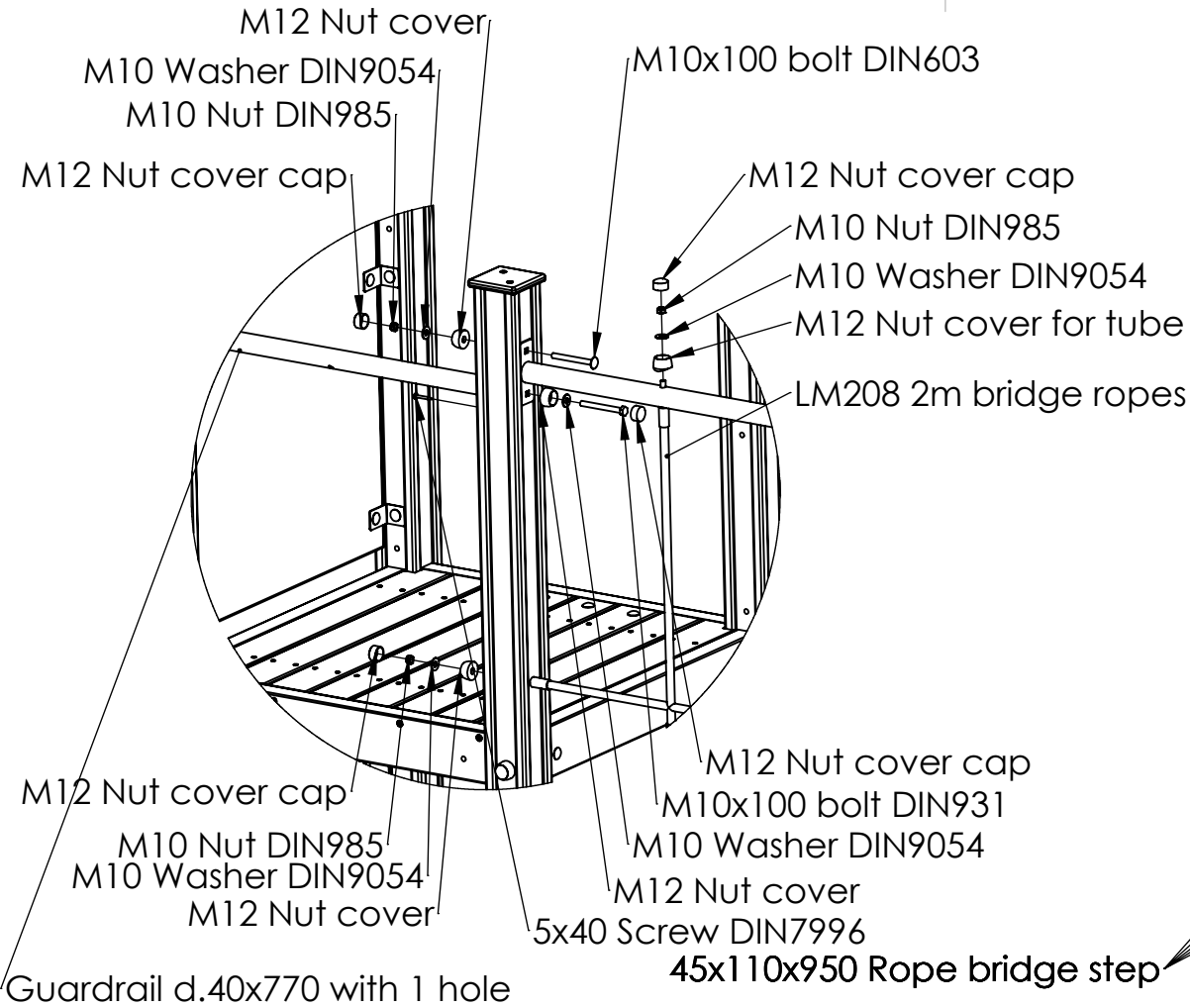
WEIGHT:

SCALE: 1:20

SHEET 35 OF 49



Tiptiptap OÜ



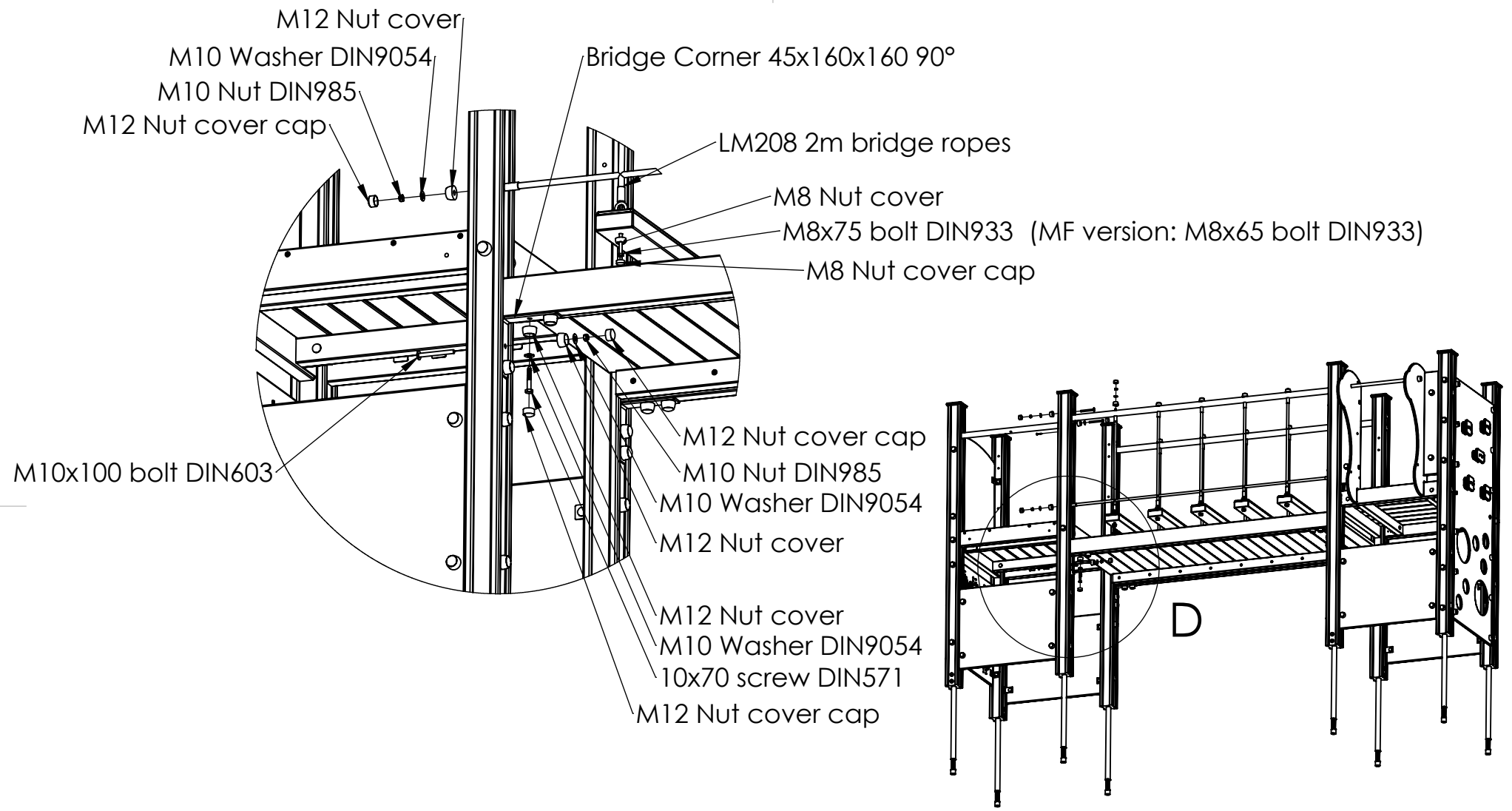
**DETAIL C**  
**SCALE 1 : 15**

UNLESS OTHERWISE SPECIFIED:  
DIMENSIONS ARE IN MILLIMETERS  
WEIGHT ARE IN KILOGRAMM


	NAME	SIGNATURE	DATE	REVISION
DRAWN	I.Agar		12.04.2022	
APPV'D				



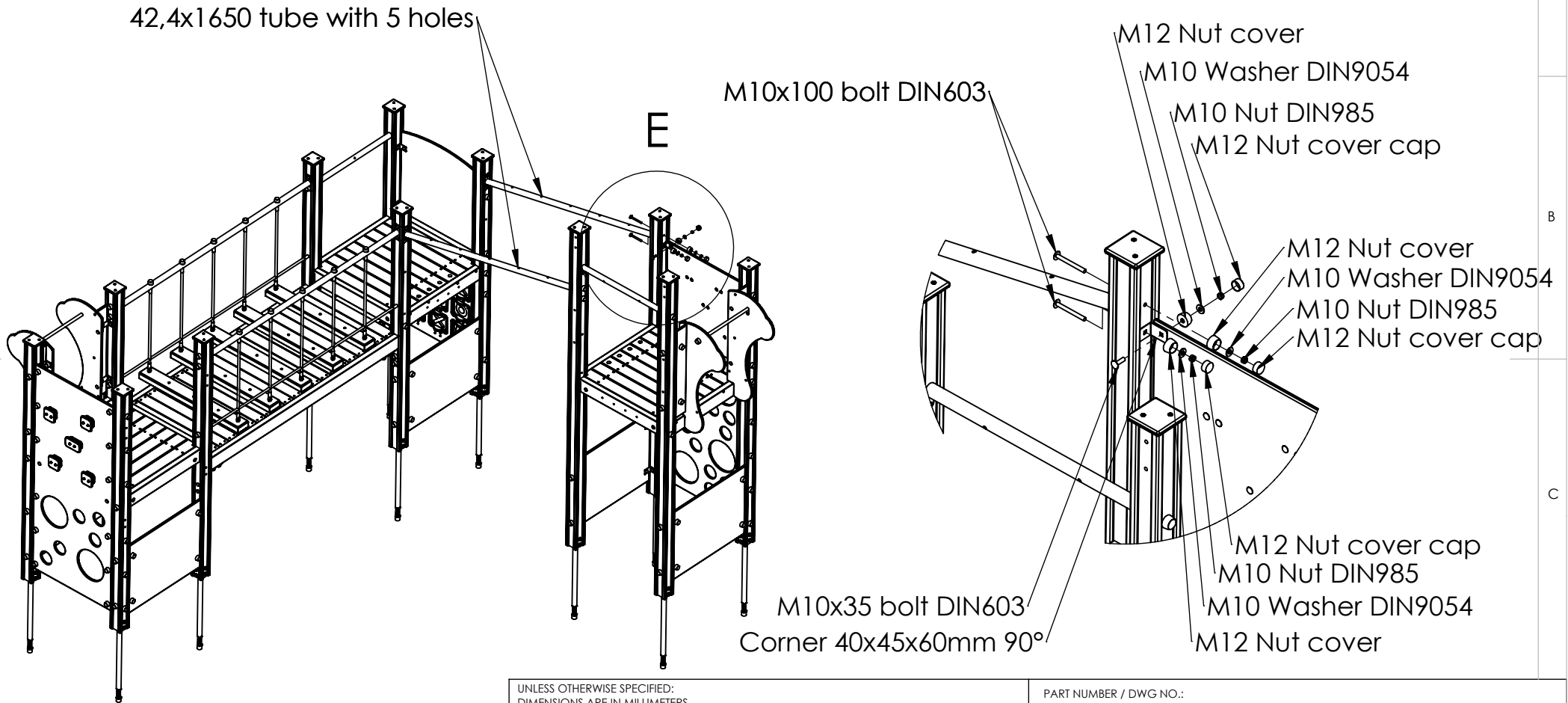
PART NUMBER / DWG NO.:		LM208	
DESCRIPTION:			
Play centre Alexander			
MATERIAL:		wood, metal, plastic	A4
WEIGHT:		SCALE: 1:40	SHEET 36 OF 49



DETAIL D  
SCALE 1 : 15

UNLESS OTHERWISE SPECIFIED: DIMENSIONS ARE IN MILLIMETERS WEIGHT ARE IN KILOGRAMM					PART NUMBER / DWG NO.: <b>LM208</b>	
	NAME	SIGNATURE	DATE	REVISION	DESCRIPTION: <b>Play centre Alexander</b>	
DRAWN	I.Agar		12.04.2022		MATERIAL: wood, metal, plastic	
APPV'D					A4	
 <b>Tiptiptap</b> <sup>OO</sup>					WEIGHT:	
					SCALE: 1:40	
					SHEET 37 OF 49	

# DETAIL E SCALE 1 : 15



UNLESS OTHERWISE SPECIFIED:  
DIMENSIONS ARE IN MILLIMETERS  
WEIGHT ARE IN KILOGRAMM

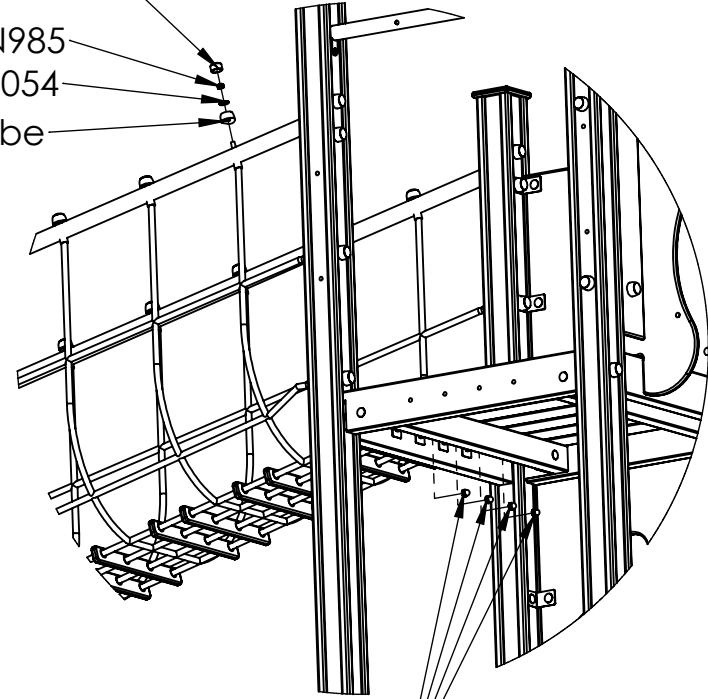
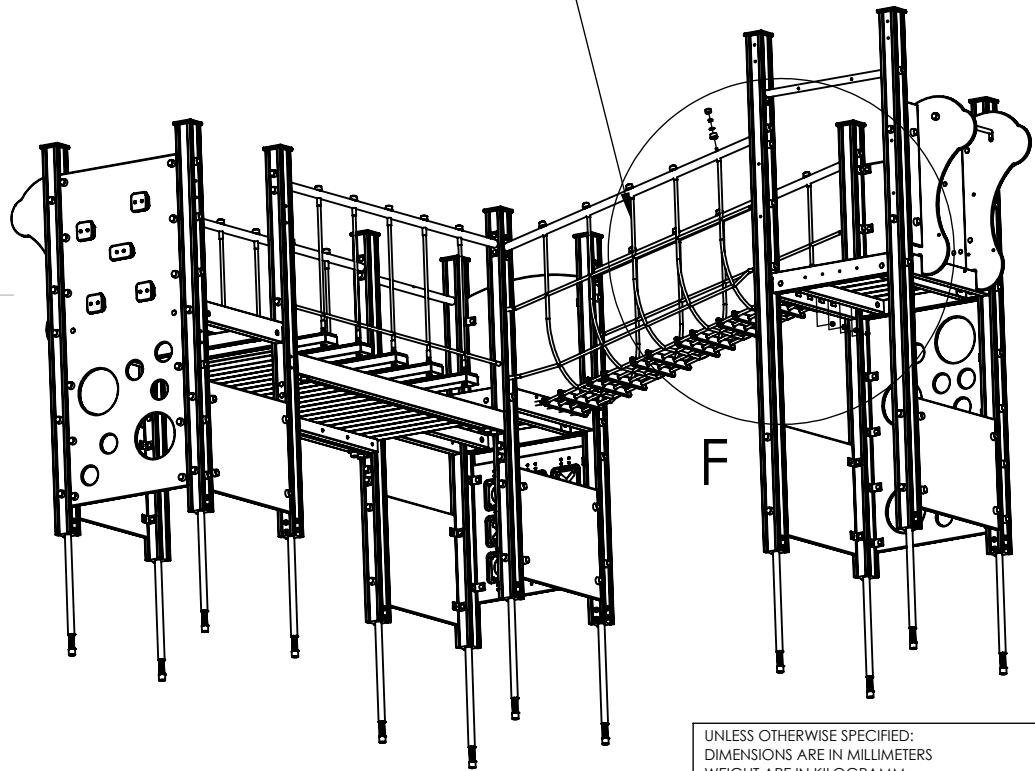
	NAME	SIGNATURE	DATE	REVISION
DRAWN	I.Agar		12.04.2022	
APPV'D				



PART NUMBER / DWG NO.:		LM208	
DESCRIPTION:			
Play centre Alexander			
MATERIAL:		wood, metal, plastic	A4
WEIGHT:		SCALE: 1:40	SHEET 38 OF 49

Suspension bridge inclined

M12 Nut cover cap  
 M10 Nut DIN985  
 M10 Washer DIN9054  
 M12 Nut cover for tube



M10 domed cap nut DIN986

DETAIL F  
 SCALE 1 : 20

UNLESS OTHERWISE SPECIFIED:  
 DIMENSIONS ARE IN MILLIMETERS  
 WEIGHT ARE IN KILOGRAMM

PART NUMBER / DWG NO.:  
 LM208

	NAME	SIGNATURE	DATE	REVISION
DRAWN	I.Agar		12.04.2022	
APPV'D				

DESCRIPTION:  
 Play centre Alexander



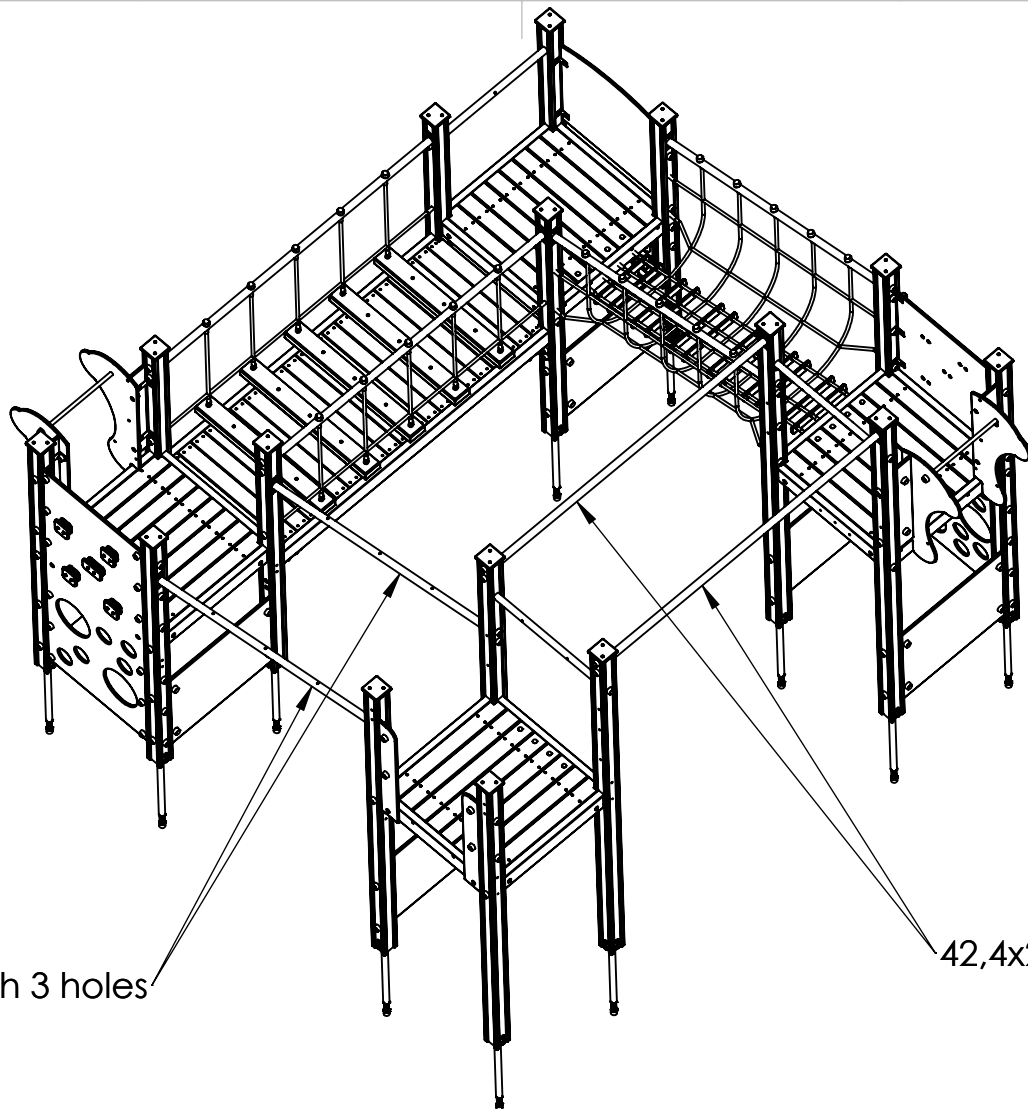
MATERIAL:  
 wood, metal, plastic

WEIGHT: SCALE: 1:40 SHEET 39 OF 49

These tubes are installed in the same way as all the previous ones!!

42,4x1650 tube with 3 holes

42,4x2000 Tube



UNLESS OTHERWISE SPECIFIED:  
DIMENSIONS ARE IN MILLIMETERS  
WEIGHT ARE IN KILOGRAMM

	NAME	SIGNATURE	DATE	REVISION
DRAWN	I.Agar		12.04.2022	
APPV'D				

PART NUMBER / DWG NO.:  
**LM208**

DESCRIPTION:  
**Play centre Alexander**



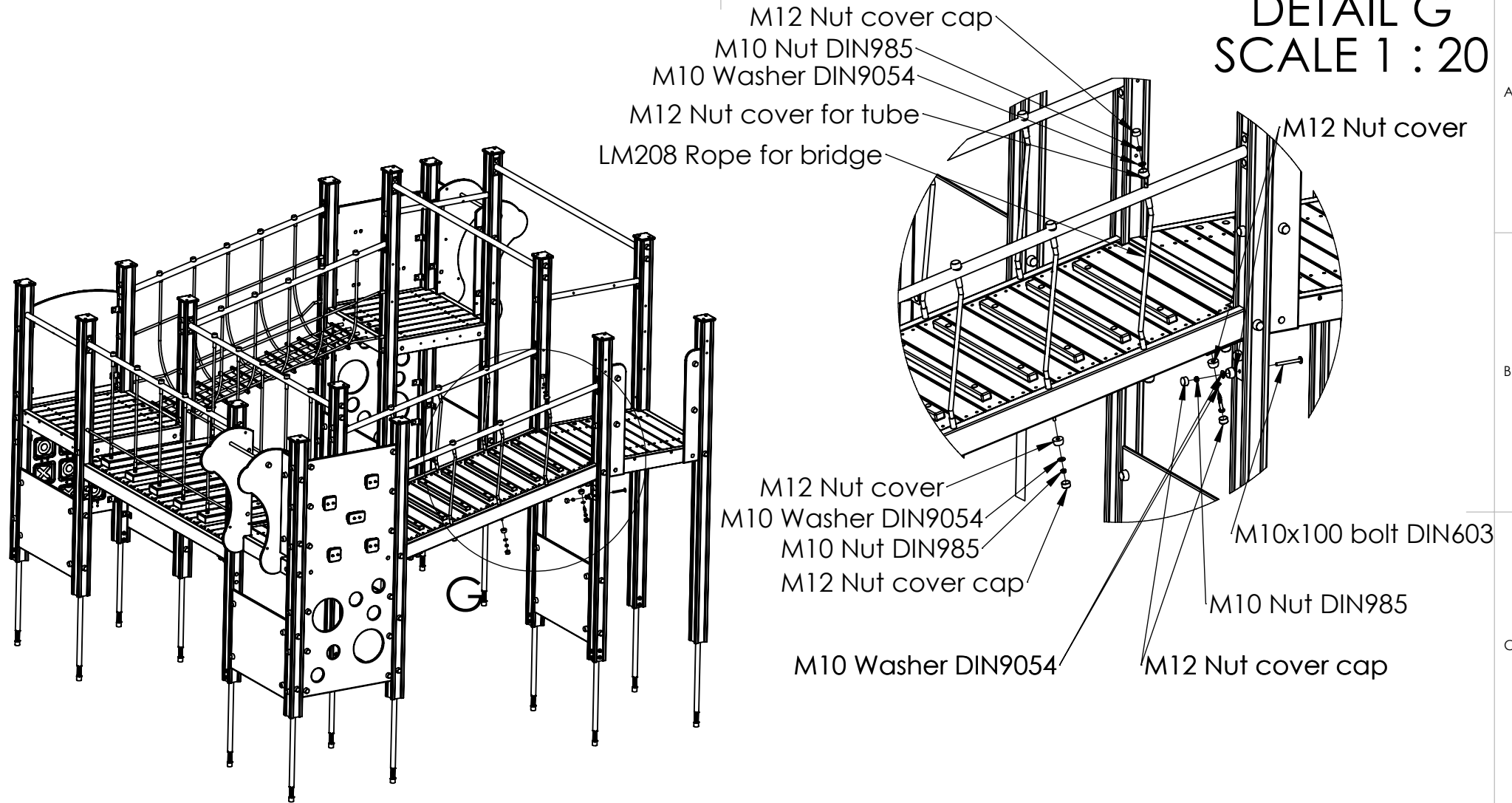
MATERIAL: wood, metal, plastic

A4

WEIGHT: SCALE: 1:40 SHEET 40 OF 49



# DETAIL G SCALE 1 : 20



UNLESS OTHERWISE SPECIFIED:  
DIMENSIONS ARE IN MILLIMETERS  
WEIGHT ARE IN KILOGRAMM

PART NUMBER / DWG NO.:  
**LM208**

	NAME	SIGNATURE	DATE	REVISION
DRAWN	I.Agar		12.04.2022	
APPV'D				

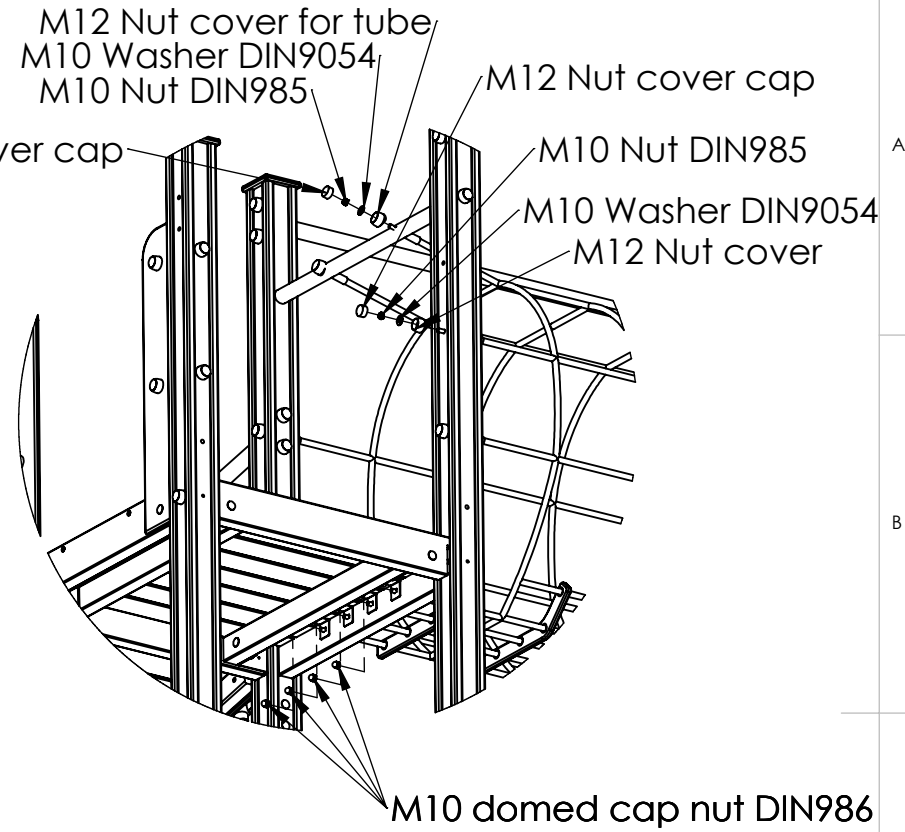
DESCRIPTION:  
**Play centre Alexander**



MATERIAL:	wood, metal, plastic	A4
WEIGHT:		SCALE: 1:40
		SHEET 41 OF 49

2000mm horizontal rope tunnel

H



DETAIL H  
SCALE 1 : 20

UNLESS OTHERWISE SPECIFIED:  
DIMENSIONS ARE IN MILLIMETERS  
WEIGHT ARE IN KILOGRAMM

	NAME	SIGNATURE	DATE	REVISION
DRAWN	I.Agar		12.04.2022	
APPV'D				

PART NUMBER / DWG NO.:

LM208

DESCRIPTION:

Play centre Alexander

MATERIAL:

wood, metal, plastic

A4

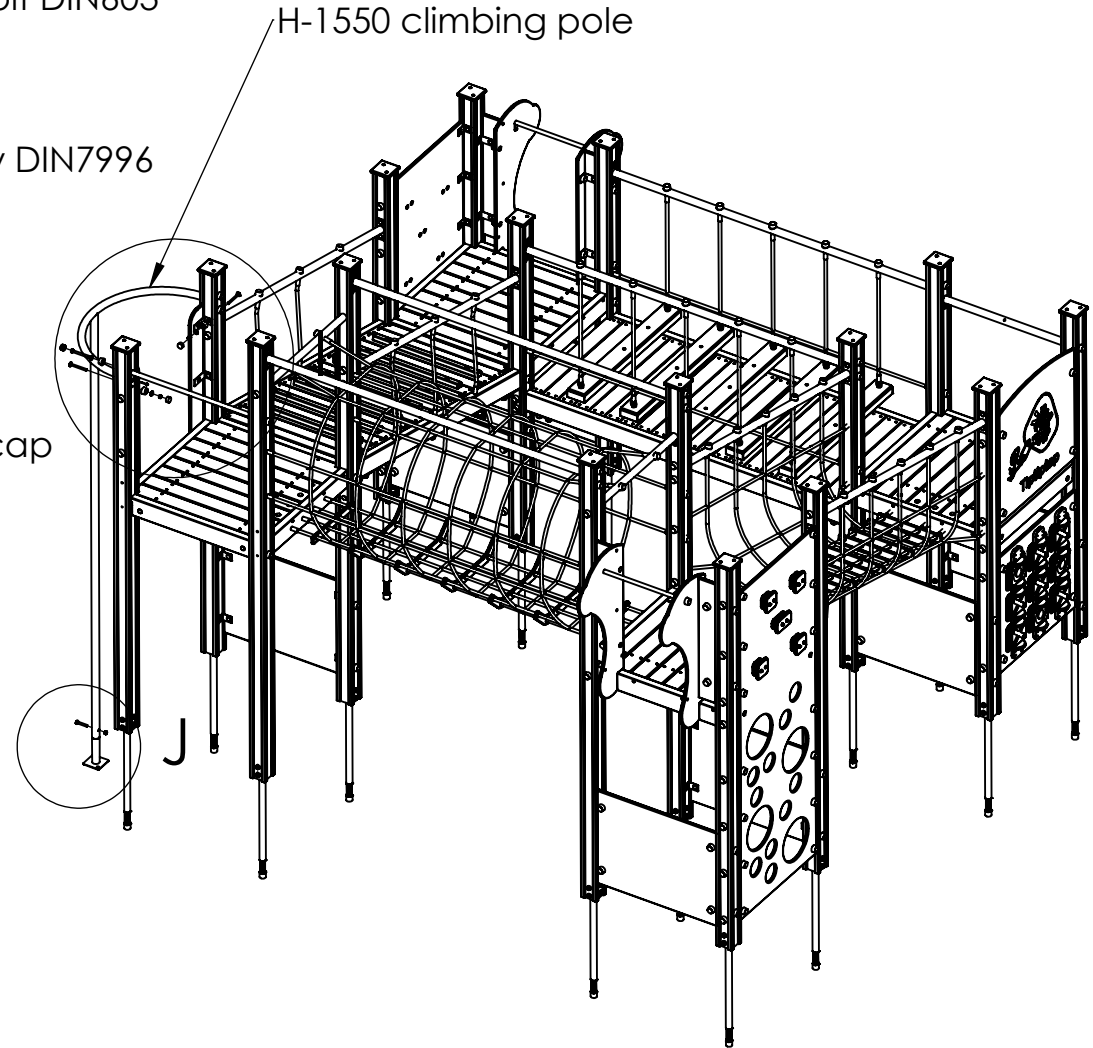
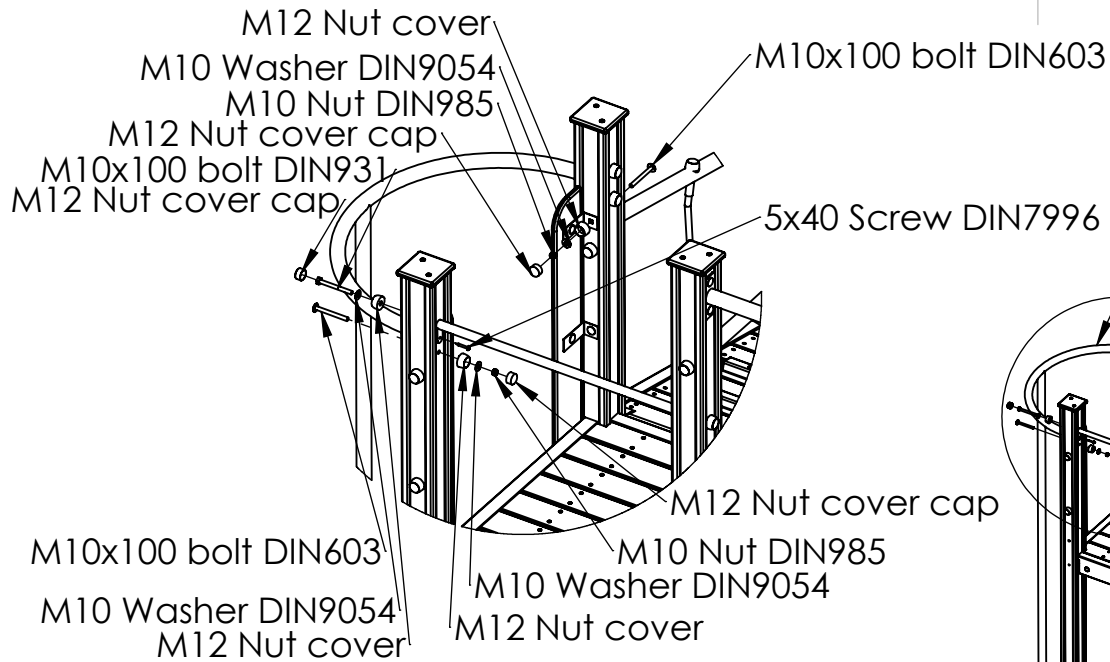
WEIGHT:

SCALE: 1:40

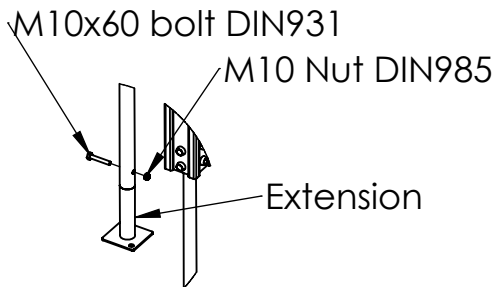
SHEET 42 OF 49



Tiptiptap<sup>OU</sup>



DETAIL I  
SCALE 1 : 20



DETAIL J  
SCALE 1 : 20

UNLESS OTHERWISE SPECIFIED:  
DIMENSIONS ARE IN MILLIMETERS  
WEIGHT ARE IN KILOGRAMM

	NAME	SIGNATURE	DATE	REVISION
DRAWN	I.Agar		12.04.2022	
APPV'D				

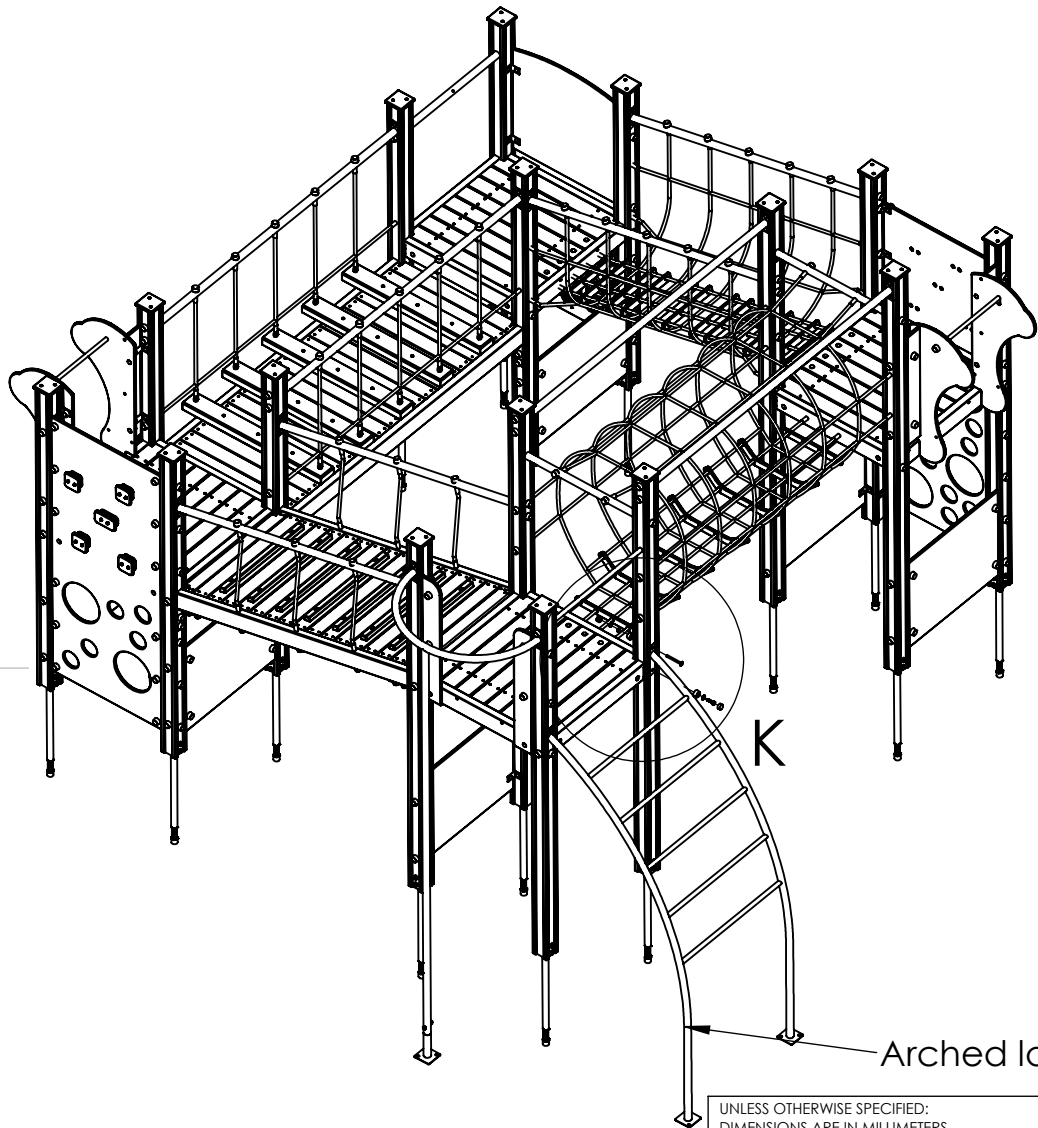
PART NUMBER / DWG NO.:  
**LM208**

DESCRIPTION:  
**Play centre Alexander**



MATERIAL: wood, metal, plastic A4

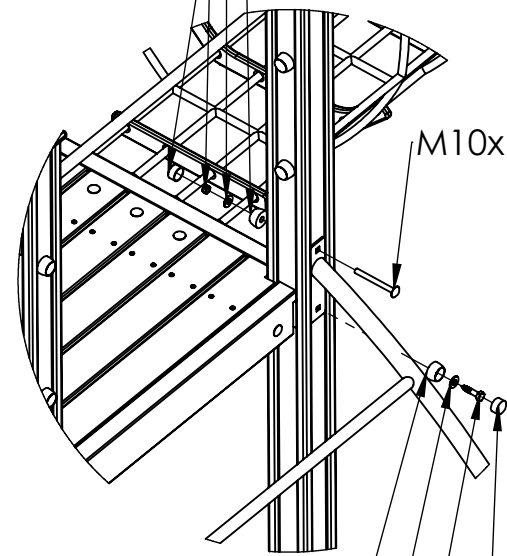
WEIGHT: SCALE: 1:40 SHEET 43 OF 49



Arched ladder 5 steps

# DETAIL K SCALE 1 : 15

- M12 Nut cover
- M10 Washer DIN9054
- M10 Nut DIN985
- M12 Nut cover cap



M10x100 bolt DIN603

- M12 Nut cover
- M10 Washer DIN9054
- 10x45 screw DIN571
- M12 Nut cover cap

UNLESS OTHERWISE SPECIFIED:  
DIMENSIONS ARE IN MILLIMETERS  
WEIGHT ARE IN KILOGRAMM

	NAME	SIGNATURE	DATE	REVISION
DRAWN	I.Agar		12.04.2022	
APPV'D				

PART NUMBER / DWG NO.:  
**LM208**

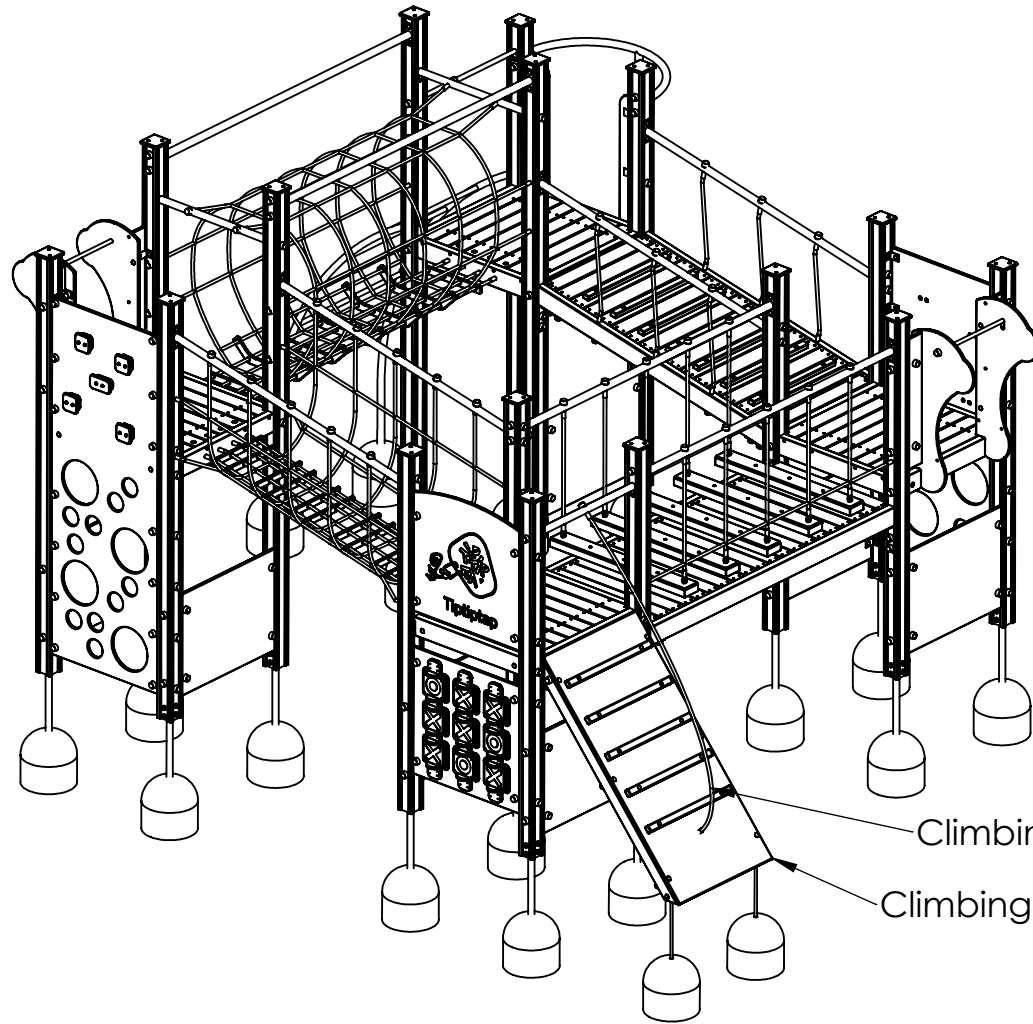
DESCRIPTION:  
**Play centre Alexander**



MATERIAL: wood, metal, plastic

A4

WEIGHT: SCALE: 1:40 SHEET 44 OF 49



UNLESS OTHERWISE SPECIFIED:  
 DIMENSIONS ARE IN MILLIMETERS  
 WEIGHT ARE IN KILOGRAMM

	NAME	SIGNATURE	DATE	REVISION
DRAWN	I.Agar		12.04.2022	
APPV'D				



**Tiptiptap**<sup>OO</sup>

PART NUMBER / DWG NO.:

LM208

DESCRIPTION:

Play centre Alexander

MATERIAL:

wood, metal, plastic

A4

WEIGHT:

SCALE: 1:40

SHEET 45 OF 49

A

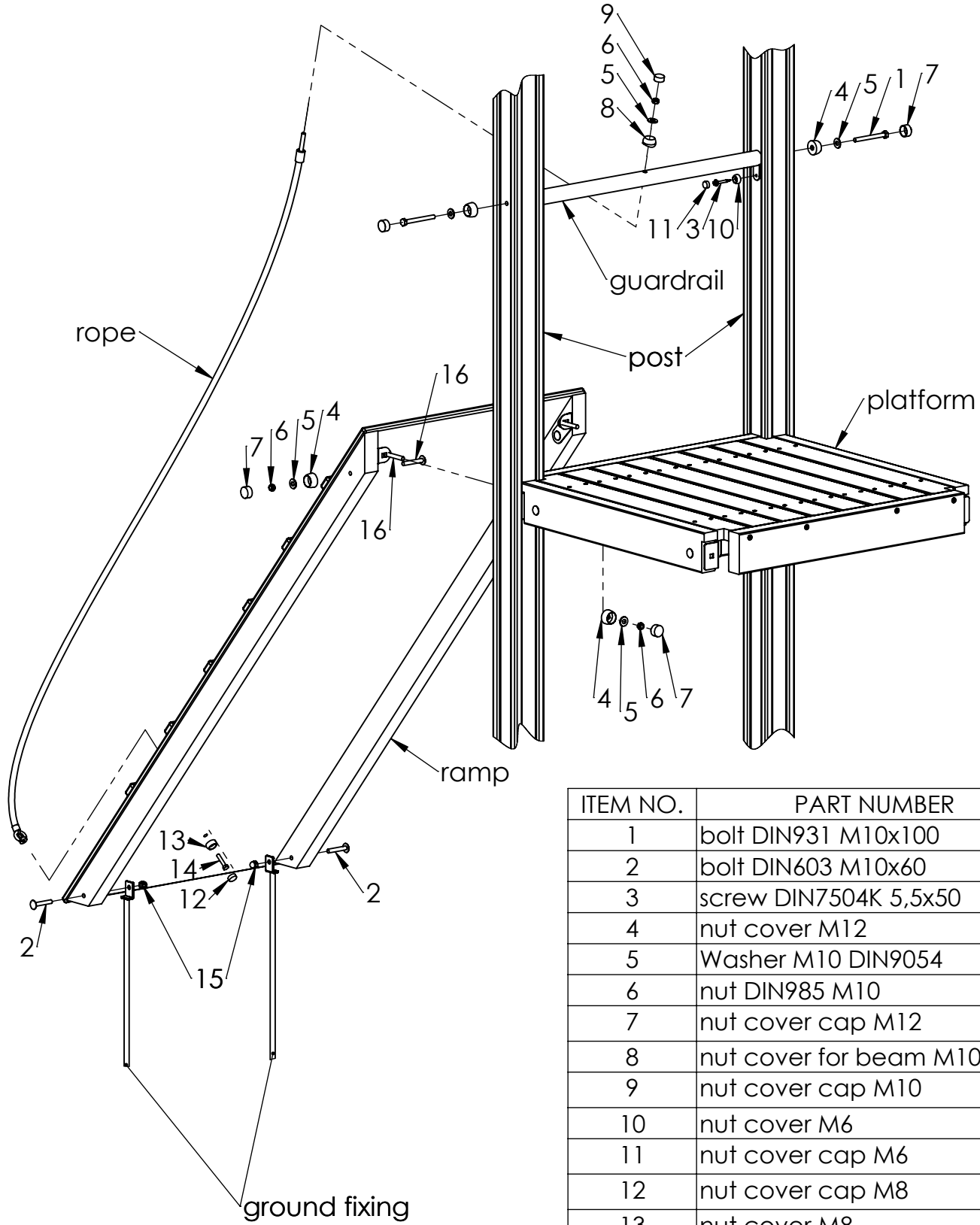
B

C

D

E

F



ITEM NO.	PART NUMBER
1	bolt DIN931 M10x100
2	bolt DIN603 M10x60
3	screw DIN7504K 5,5x50
4	nut cover M12
5	Washer M10 DIN9054
6	nut DIN985 M10
7	nut cover cap M12
8	nut cover for beam M10
9	nut cover cap M10
10	nut cover M6
11	nut cover cap M6
12	nut cover cap M8
13	nut cover M8
14	bolt DIN933 M8x40
15	domed cap nut DIN986 M10
16	bolt DIN603 M10x65

UNLESS OTHERWISE SPECIFIED:  
DIMENSIONS ARE IN MILLIMETERS  
WEIGHT ARE IN KILOGRAMM

	NAME	SIGNATURE	DATE	REVISION
DRAWN	I.Agar		12.04.2022	
APPV'D				

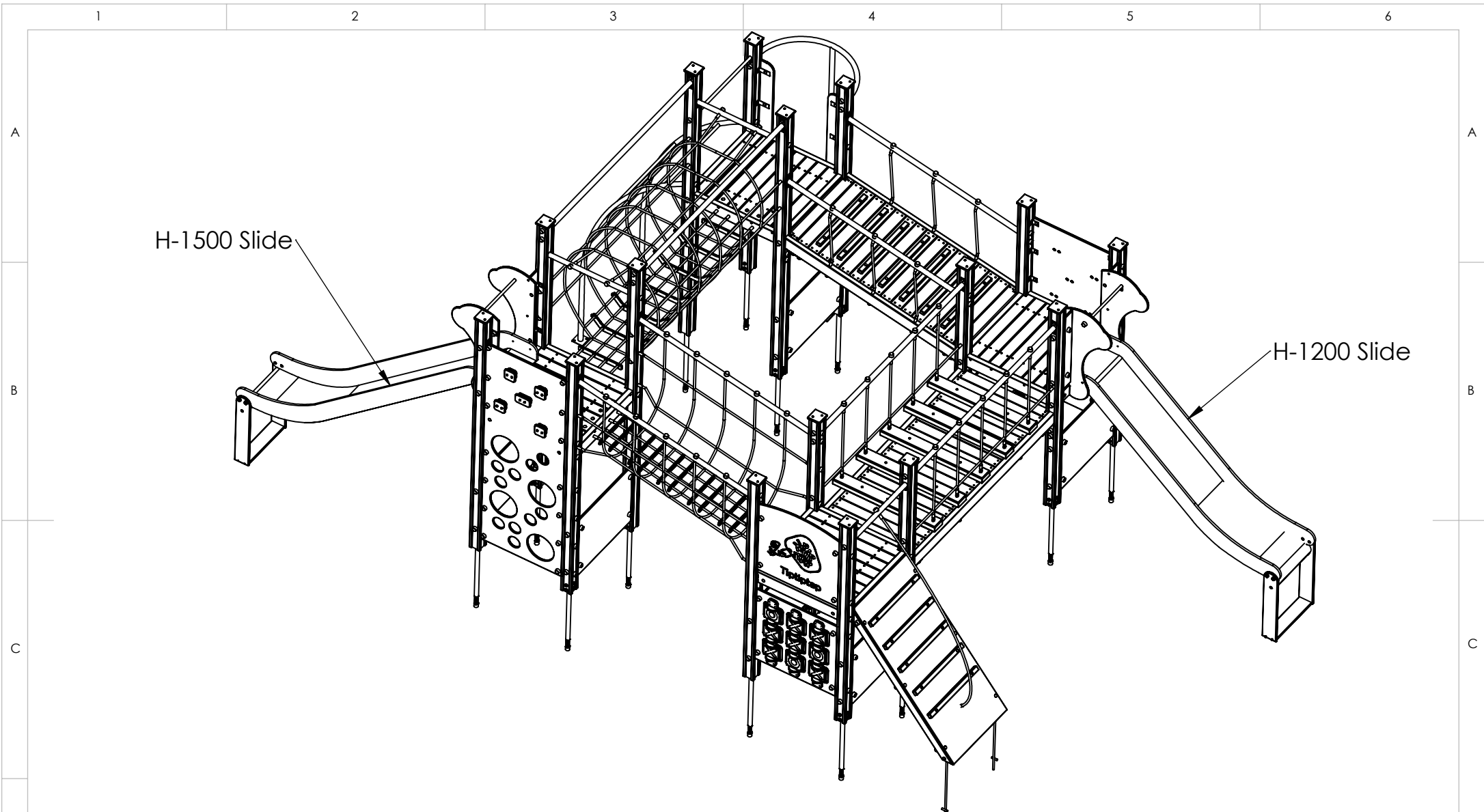
PART NUMBER / DWG NO.:  
**LM208**

DESCRIPTION:  
**Play centre Alexander  
connecting ramp with rope to platform**



MATERIAL: wood, metal, plastic	A4
WEIGHT:	SCALE: 1:15
	SHEET 46 OF 49





UNLESS OTHERWISE SPECIFIED:  
 DIMENSIONS ARE IN MILLIMETERS  
 WEIGHT ARE IN KILOGRAMM

PART NUMBER / DWG NO.:  
**LM208**

	NAME	SIGNATURE	DATE	REVISION
DRAWN	I.Agar		12.04.2022	
APPV'D				

DESCRIPTION:  
**Play centre Alexander**

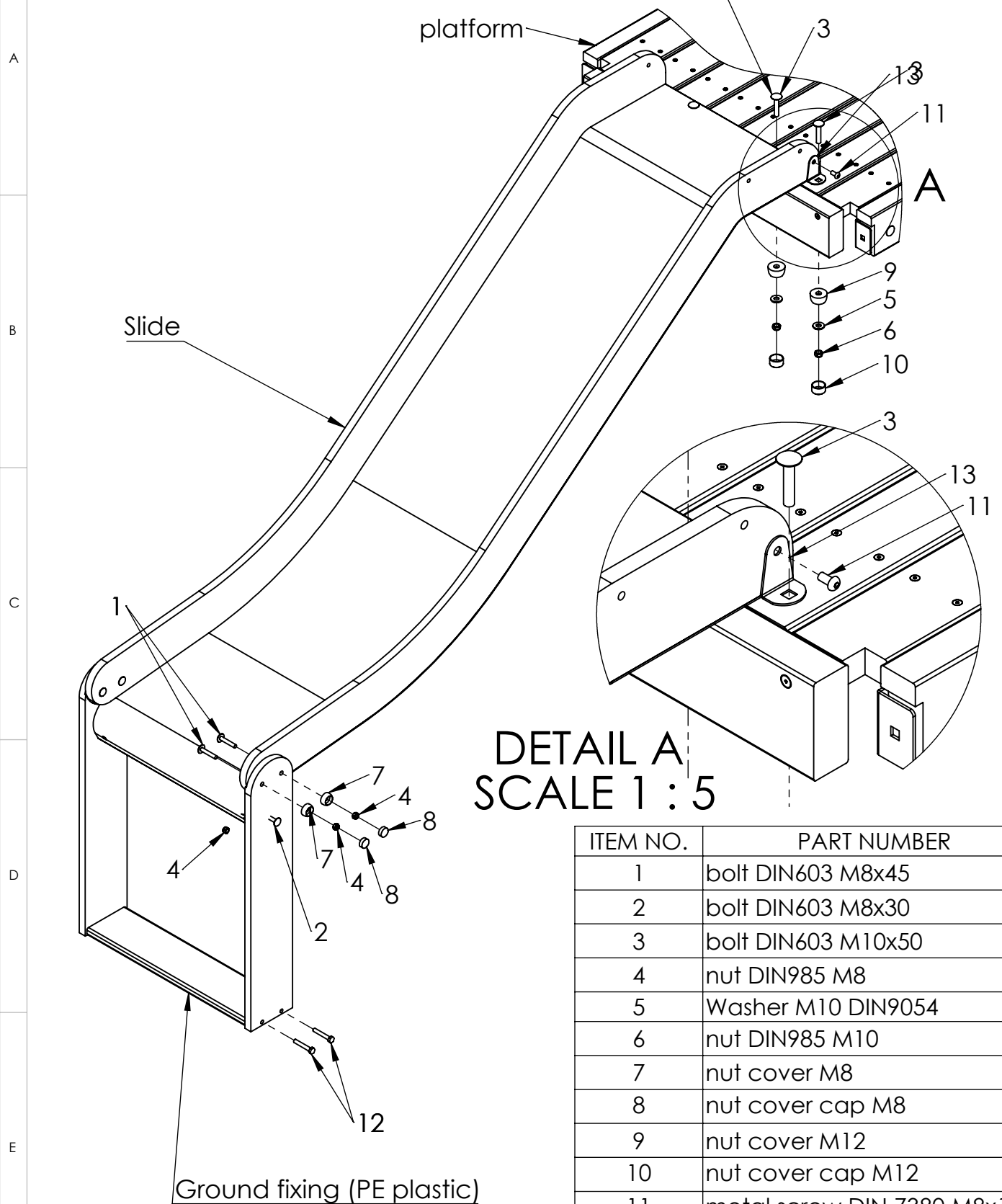


MATERIAL:  
 wood, metal, plastic

A4

WEIGHT: SCALE: 1:40 SHEET 47 OF 49

In the case of a plastic slide, this bolt is M10x60 DIN603



DETAIL A  
SCALE 1 : 5

ITEM NO.	PART NUMBER
1	bolt DIN603 M8x45
2	bolt DIN603 M8x30
3	bolt DIN603 M10x50
4	nut DIN985 M8
5	Washer M10 DIN9054
6	nut DIN985 M10
7	nut cover M8
8	nut cover cap M8
9	nut cover M12
10	nut cover cap M12
11	metal screw DIN 7380 M8x16
12	bolt DIN933 M8x50
13	metal corner for slide

UNLESS OTHERWISE SPECIFIED:  
DIMENSIONS ARE IN MILLIMETERS  
WEIGHT ARE IN KILOGRAMM

PART NUMBER / DWG NO.:

LM208

	NAME	SIGNATURE	DATE	REVISION
DRAWN	I.Agar		12.04.2022	
APPV'D				

DESCRIPTION:

Play centre Alexander  
connecting slide to platform

MATERIAL:

wood, metal, plastic

A4

WEIGHT:

SCALE: 1:12

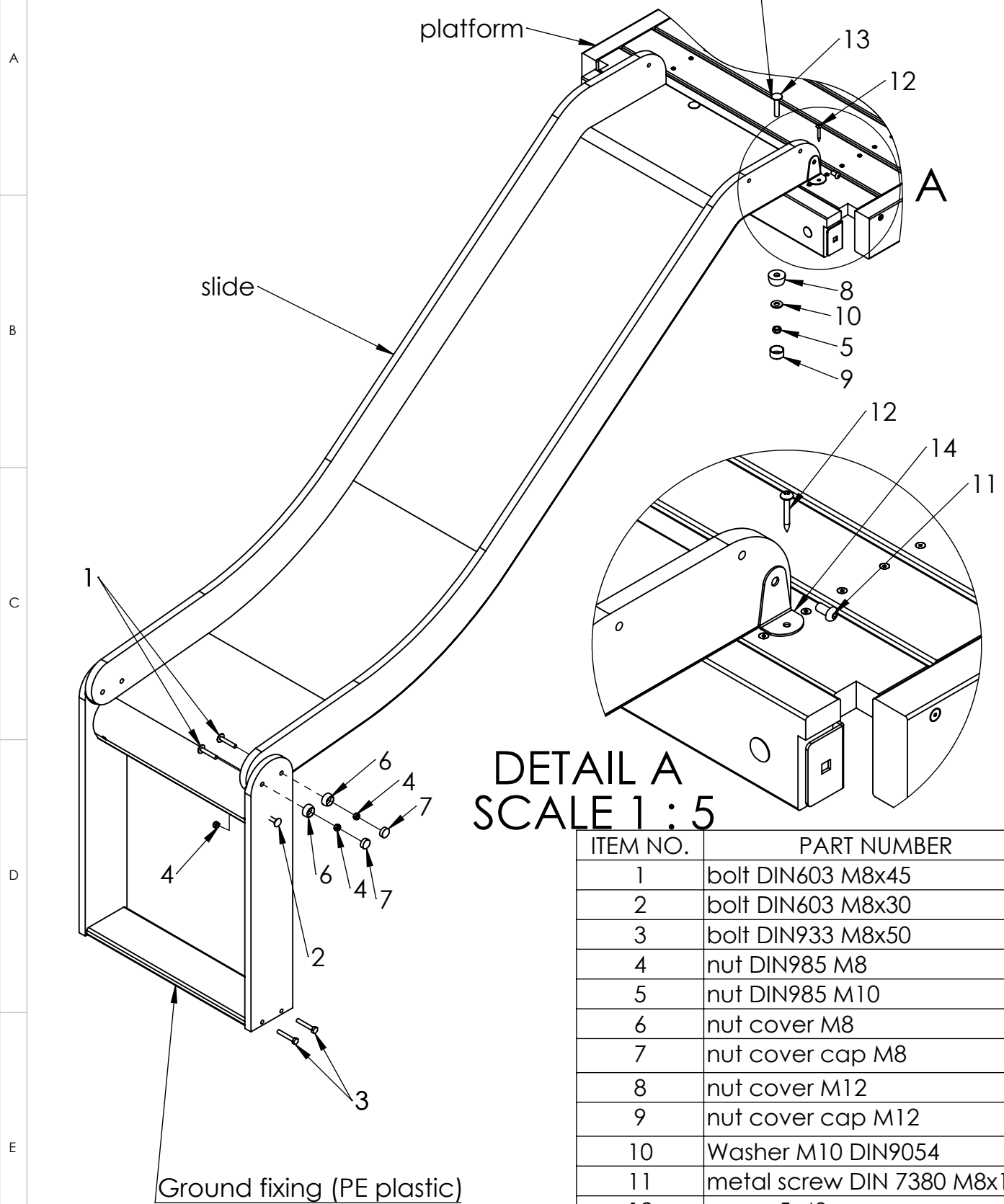
SHEET 48 OF 49



Tiptap OÜ



In the case of a plastic slide, this bolt is M10x60 DIN603



DETAIL A  
SCALE 1 : 5

ITEM NO.	PART NUMBER
1	bolt DIN603 M8x45
2	bolt DIN603 M8x30
3	bolt DIN933 M8x50
4	nut DIN985 M8
5	nut DIN985 M10
6	nut cover M8
7	nut cover cap M8
8	nut cover M12
9	nut cover cap M12
10	Washer M10 DIN9054
11	metal screw DIN 7380 M8x16
12	screw 5x40
13	bolt DIN603 M10x50
14	corner 58x30

UNLESS OTHERWISE SPECIFIED:  
DIMENSIONS ARE IN MILLIMETERS  
WEIGHT ARE IN KILOGRAMM

PART NUMBER / DWG NO.:

LM208

	NAME	SIGNATURE	DATE	REVISION
DRAWN	I.Agar		12.04.2022	
APPV'D				

DESCRIPTION:

Play centre Alexander  
connecting slide to platform

MATERIAL:

wood, metal, plastic

A4

WEIGHT:

SCALE: 1:12

SHEET 49 OF 49



Tiptap OÜ