

A

B

C

D

E

F

UNLESS OTHERWISE SPECIFIED: DIMENSIONS ARE IN MILLIMETERS WEIGHT ARE IN KILOGRAMM				
	NAME	SIGNATURE	DATE	REVISION
DRAWN	M.Rebase		16.11.2017	
APPV'D				

PART NUMBER / DWG NO.:
RS108

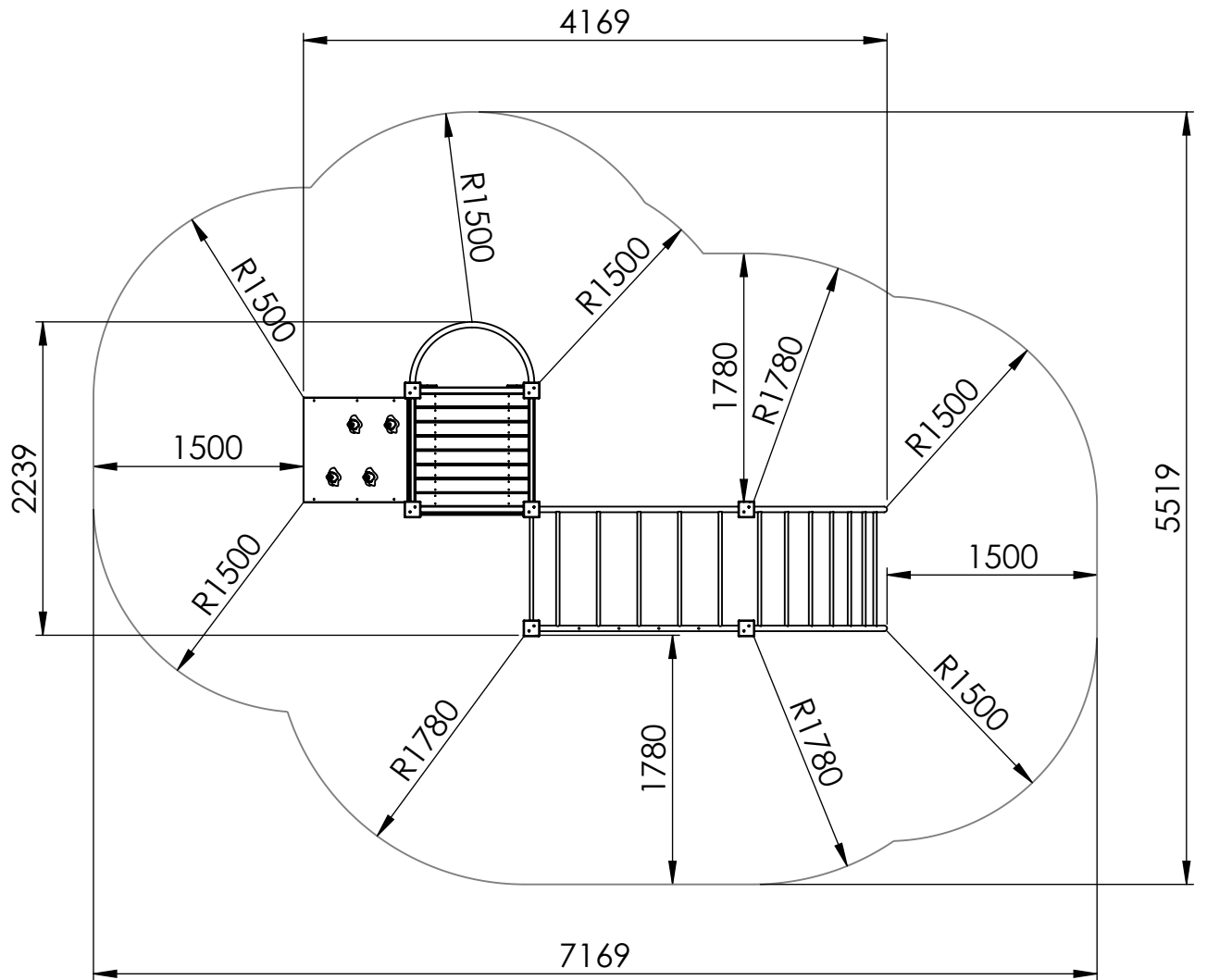
DESCRIPTION:
Climbing frame ATHLETES



Tiptaptap OÜ
Veetorni 9,
Jüri alevik, Rae vald,
75301 Harjumaa

MATERIAL:	wood, metal, plastic	A4
WEIGHT:	SCALE: 1:25	SHEET 1 OF 15

safety area



UNLESS OTHERWISE SPECIFIED:
DIMENSIONS ARE IN MILLIMETERS
WEIGHT ARE IN KILOGRAMM

PART NUMBER / DWG NO.:

RS108

	NAME	SIGNATURE	DATE	REVISION
DRAWN	M.Rebase		16.11.2017	
APPV'D				

DESCRIPTION:

Climbing frame ATHLETES



Tiptaptap OÜ

Tiptaptap OÜ
Veetorni 9,
Jüri alevik, Rae vald,
75301 Harjumaa

MATERIAL:

wood, metal, plastic

A4

WEIGHT:

SCALE: 1:50

SHEET 2 OF 15

foundation

A

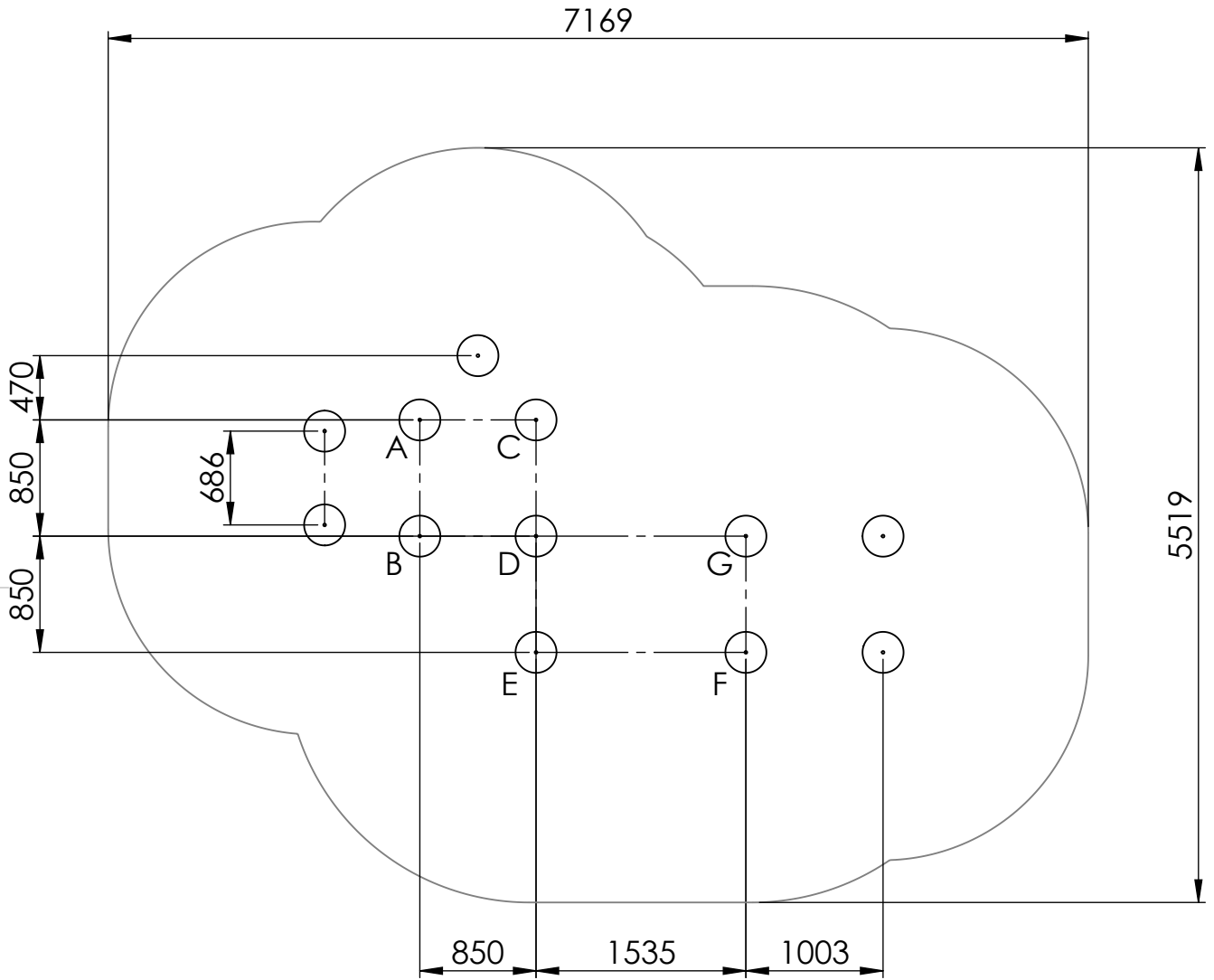
B

C

D

E

F



depth of foundation 600mm

UNLESS OTHERWISE SPECIFIED:
DIMENSIONS ARE IN MILLIMETERS
WEIGHT ARE IN KILOGRAMM

PART NUMBER / DWG NO.:

RS108

	NAME	SIGNATURE	DATE	REVISION
DRAWN	M.Rebase		16.11.2017	
APPV'D				

DESCRIPTION:

Climbing frame ATHLETES



Tiptap OÜ

Tiptap OÜ
Veetorni 9,
Jüri alevik, Rae vald,
75301 Harjumaa

MATERIAL:

wood, metal, plastic

A4

WEIGHT:

SCALE: 1:50

SHEET 3 OF 15

A

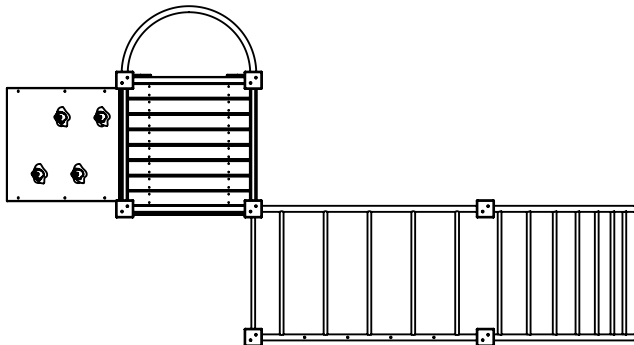
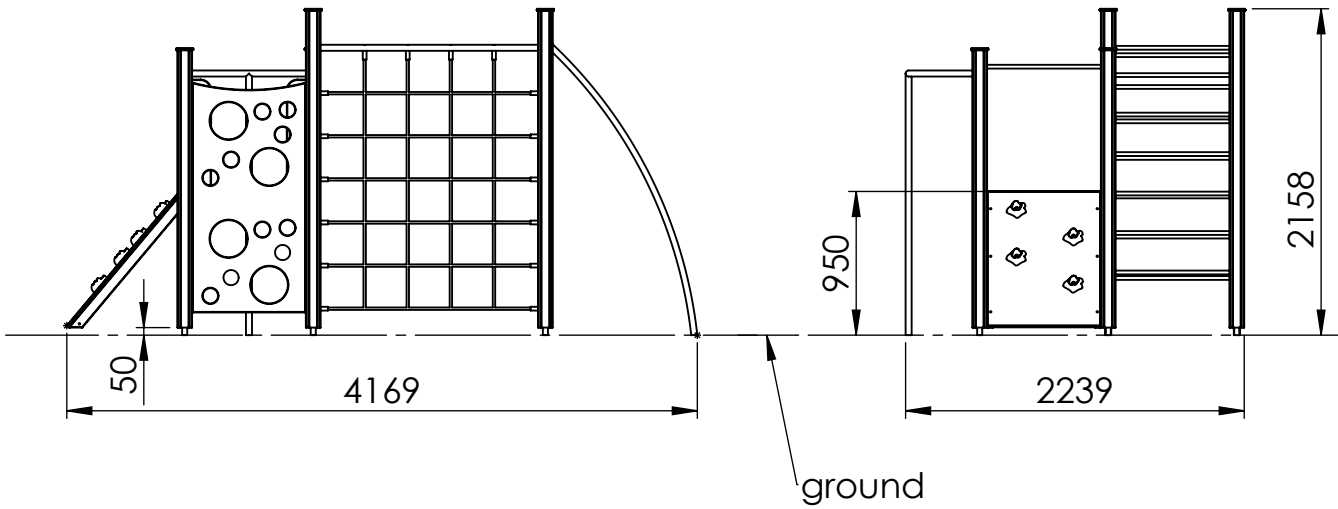
B

C

D

E

F



UNLESS OTHERWISE SPECIFIED:
 DIMENSIONS ARE IN MILLIMETERS
 WEIGHT ARE IN KILOGRAMM

PART NUMBER / DWG NO.:

RS108

	NAME	SIGNATURE	DATE	REVISION
DRAWN	M.Rebase		16.11.2017	
APPV'D				

DESCRIPTION:

Climbing frame ATHLETES



Tiptaptap OÜ

Tiptaptap OÜ
 Veetorni 9,
 Jüri alevik, Rae vald,
 75301 Harjumaa

MATERIAL:

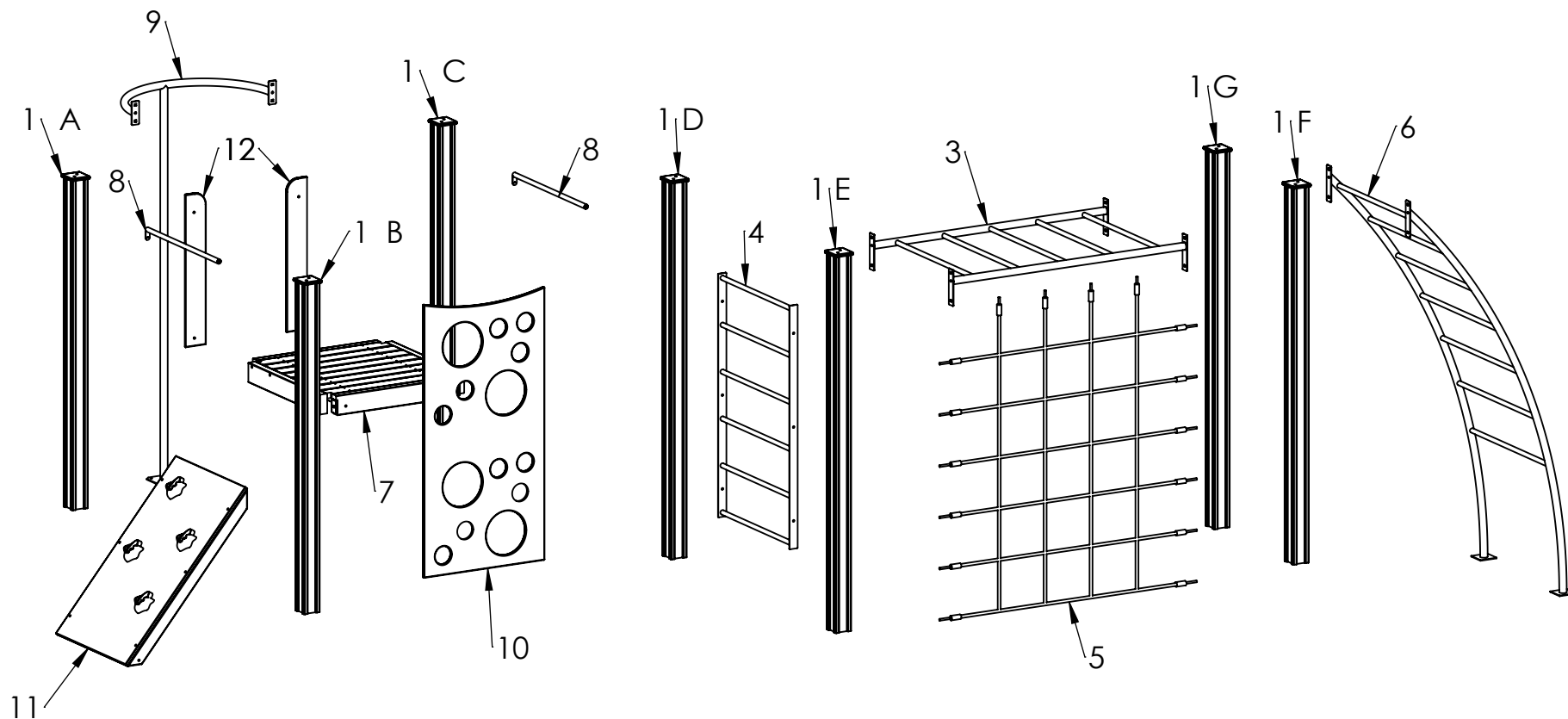
wood, metal, plastic

A4

WEIGHT:

SCALE: 1:50

SHEET 4 OF 15



UNLESS OTHERWISE SPECIFIED:
 DIMENSIONS ARE IN MILLIMETERS
 WEIGHT ARE IN KILOGRAMM

PART NUMBER / DWG NO.:
RS108

	NAME	SIGNATURE	DATE	REVISION
DRAWN	M.Rebase		16.11.2017	
APPV'D				

DESCRIPTION:
Climbing frame ATHLETES




Tiptaptap OÜ
 Tiptaptap OÜ
 Veetorni 9,
 Jüri alevik, Rae vald,
 75301 Harjumaa

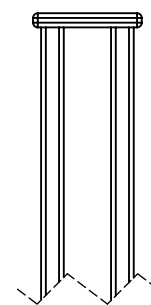
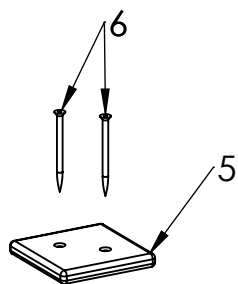
MATERIAL:	wood, metal, plastic	A4
WEIGHT:	SCALE: 1:35	SHEET 5 OF 15

ITEM NO.	PART NUMBER	DESCRIPTION	QTY.
1	post 98x98x1840	laminated wood	3
1	post 98x98x2100	laminated wood	4
3	ladder_horizontal	painting steel	1
4	ladder_vertical	painting steel	1
5	climbing net 1455x1715	PP covered steel wire	1
6	arch ladder	painting steel	1
7	platform	laminated wood, metal	1
8	guardrail ϕ 25x770	painting steel	2
9	climbing pole	painting steel	1
10	climbing wall 750x1520	HDPE plastic	1
11	climbing ramp	plywood	1
12	panel 850x126	plywood	2

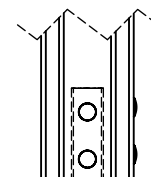
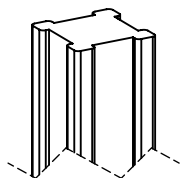


UNLESS OTHERWISE SPECIFIED: DIMENSIONS ARE IN MILLIMETERS WEIGHT ARE IN KILOGRAMM				PART NUMBER / DWG NO.:		RS108	
	NAME	SIGNATURE	DATE	REVISION		DESCRIPTION:	
DRAWN	M.Rebase		16.11.2017			Climbing frame ATHLETES	
APPV'D						MATERIAL:	
 Tiptaptap OÜ Tiptaptap OÜ Veetorni 9, Jüri alevik, Rae vald, 75301 Harjumaa				wood, metal, plastic		A4	
				WEIGHT:		SCALE: 1:40	
						SHEET 6 OF 15	

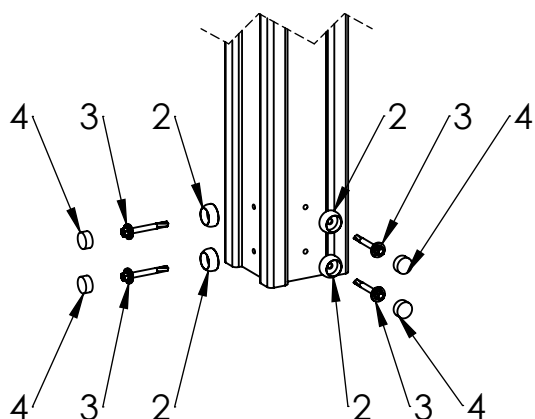
A



B



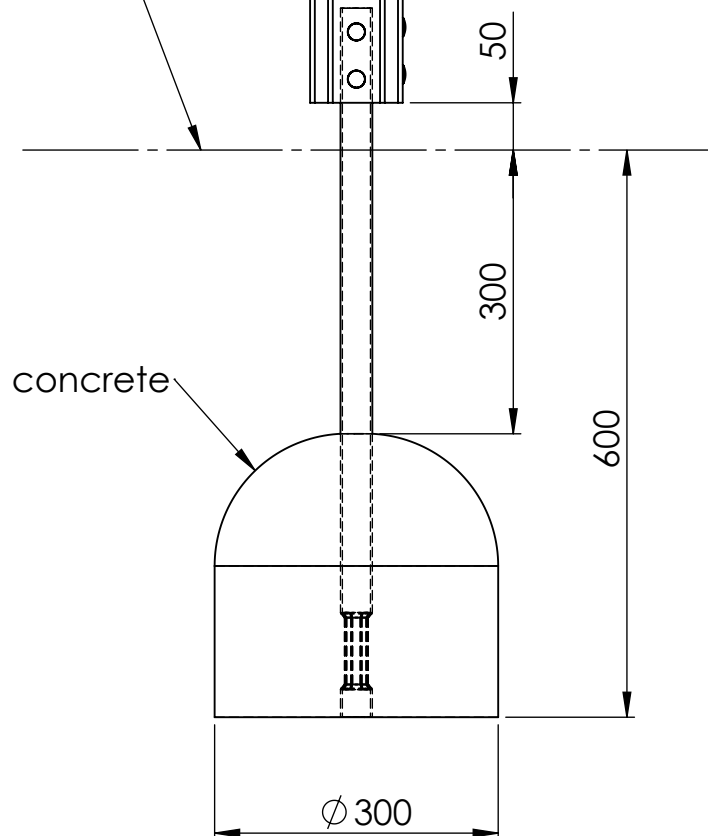
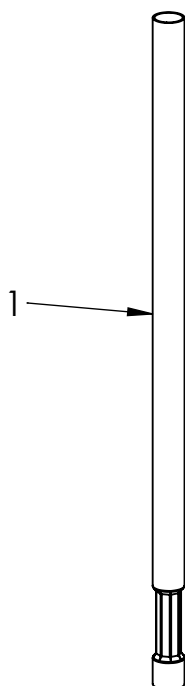
C



ground

concrete

D



E

ITEM NO.	PART NUMBER
1	metal ground fixing L_750
2	nut cover M6
3	screw 5,5x50 DIN7504K
4	nut cover cap M6
5	plastic cap 115x115
6	wood screw 6 x 90

UNLESS OTHERWISE SPECIFIED:
DIMENSIONS ARE IN MILLIMETERS
WEIGHT ARE IN KILOGRAMM

PART NUMBER / DWG NO.:

RS108

NAME	SIGNATURE	DATE	REVISION
DRAWN	M.Rebase	16.11.2017	
APPV'D			

DESCRIPTION:

Climbing frame ATHLETES
connecting metal ground fixing to post

F



Tiptiptap OÜ

Tiptiptap OÜ
Veetorni 9,
Jüri alevik, Rae vald,
75301 Harjumaa

MATERIAL:

wood, metal, plastic

A4

WEIGHT:

SCALE: 1:8

SHEET 7 OF 15

A

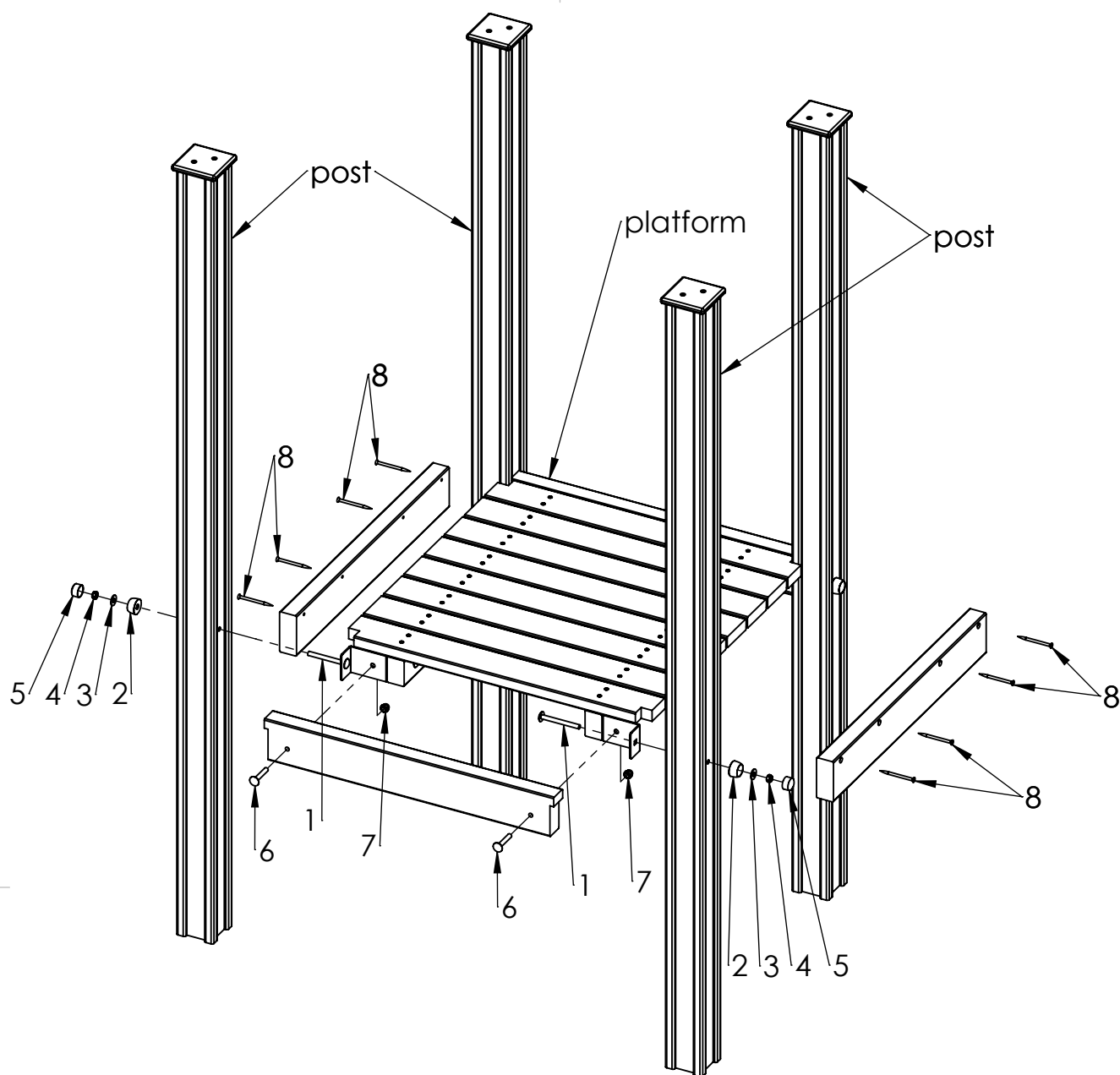
B

C

D

E

F



ITEM NO.	PART NUMBER
1	bolt M10x100 DIN603
2	nut cover M12
3	washer M10 DIN9054
4	nut M10 DIN985
5	nut cover cap M12
6	bolt M10x60 DIN603
7	domed cap nut M10 DIN986
8	wood screw 6 x 90

UNLESS OTHERWISE SPECIFIED:
DIMENSIONS ARE IN MILLIMETERS
WEIGHT ARE IN KILOGRAMM

PART NUMBER / DWG NO.:

RS108

	NAME	SIGNATURE	DATE	REVISION
DRAWN	M.Rebase		16.11.2017	
APPV'D				

DESCRIPTION:

Climbing frame ATHLETES
connecting platform to post

MATERIAL:

wood, metal, plastic

A4

WEIGHT:

SCALE: 1:15

SHEET 8 OF 15



Tiptaptap OÜ

Tiptaptap OÜ
Veetorni 9,
Jüri alevik, Rae vald,
75301 Harjumaa

A

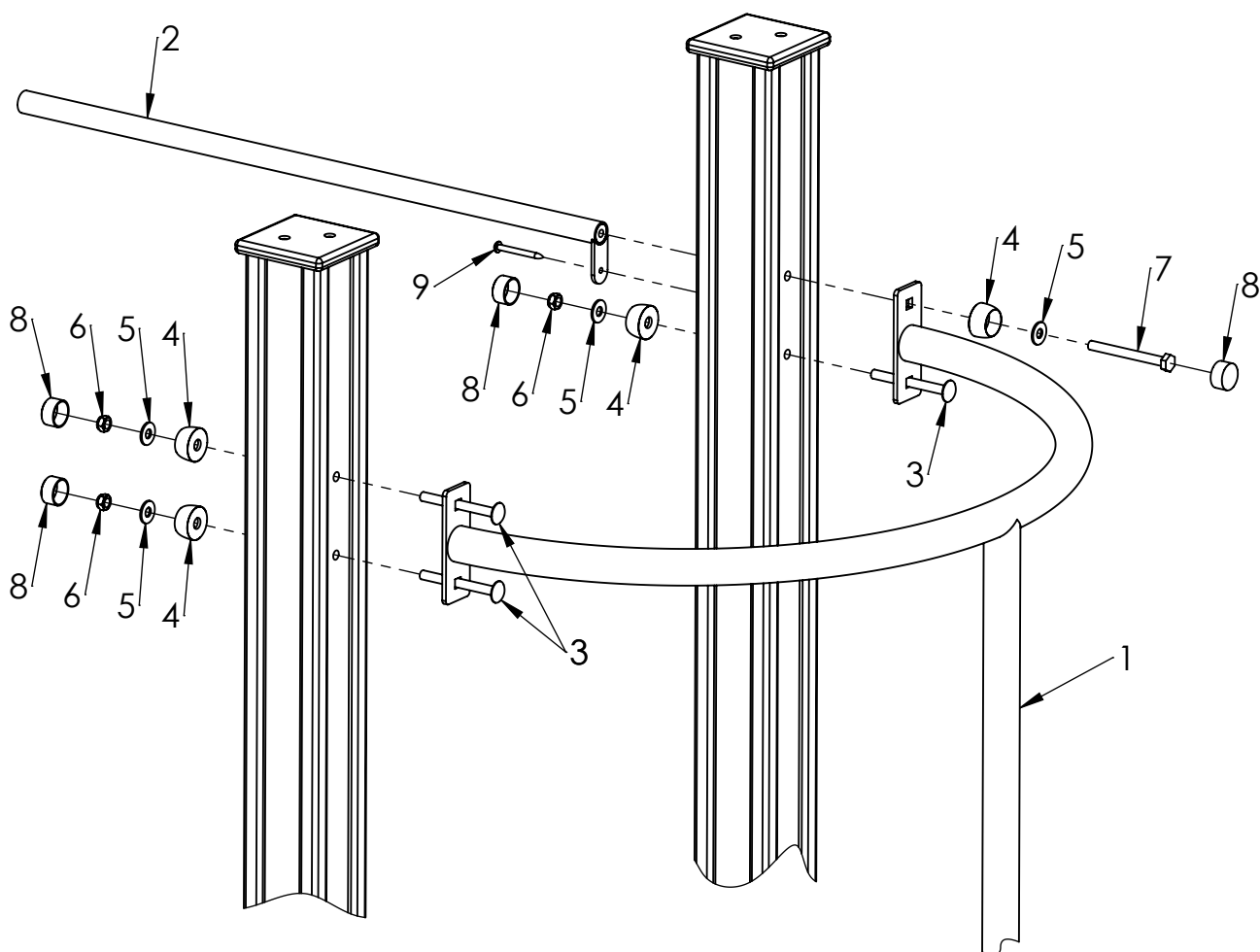
B

C

D

E

F



ITEM NO.	PART NUMBER
1	climbing pole
2	guardrail ϕ 25x770
3	bolt M10x100 DIN603
4	nut cover M12
5	washer M10 DIN9054
6	nut M10 DIN985
7	bolt M10x100 DIN931
8	nut cover cap M12
9	screw 5,0x40

UNLESS OTHERWISE SPECIFIED:
DIMENSIONS ARE IN MILLIMETERS
WEIGHT ARE IN KILOGRAMM

PART NUMBER / DWG NO.:

RS108

	NAME	SIGNATURE	DATE	REVISION
DRAWN	M.Rebase		16.11.2017	
APPV'D				

DESCRIPTION:

Climbing frame ATHLETES
connecting climbing pole and quardrail to post

MATERIAL:

wood, metal, plastic

A4

WEIGHT:

SCALE: 1:8

SHEET 9 OF 15



Tiptap OÜ

Tiptap OÜ
Veetorni 9,
Jüri alevik, Rae vald,
75301 Harjumaa

A

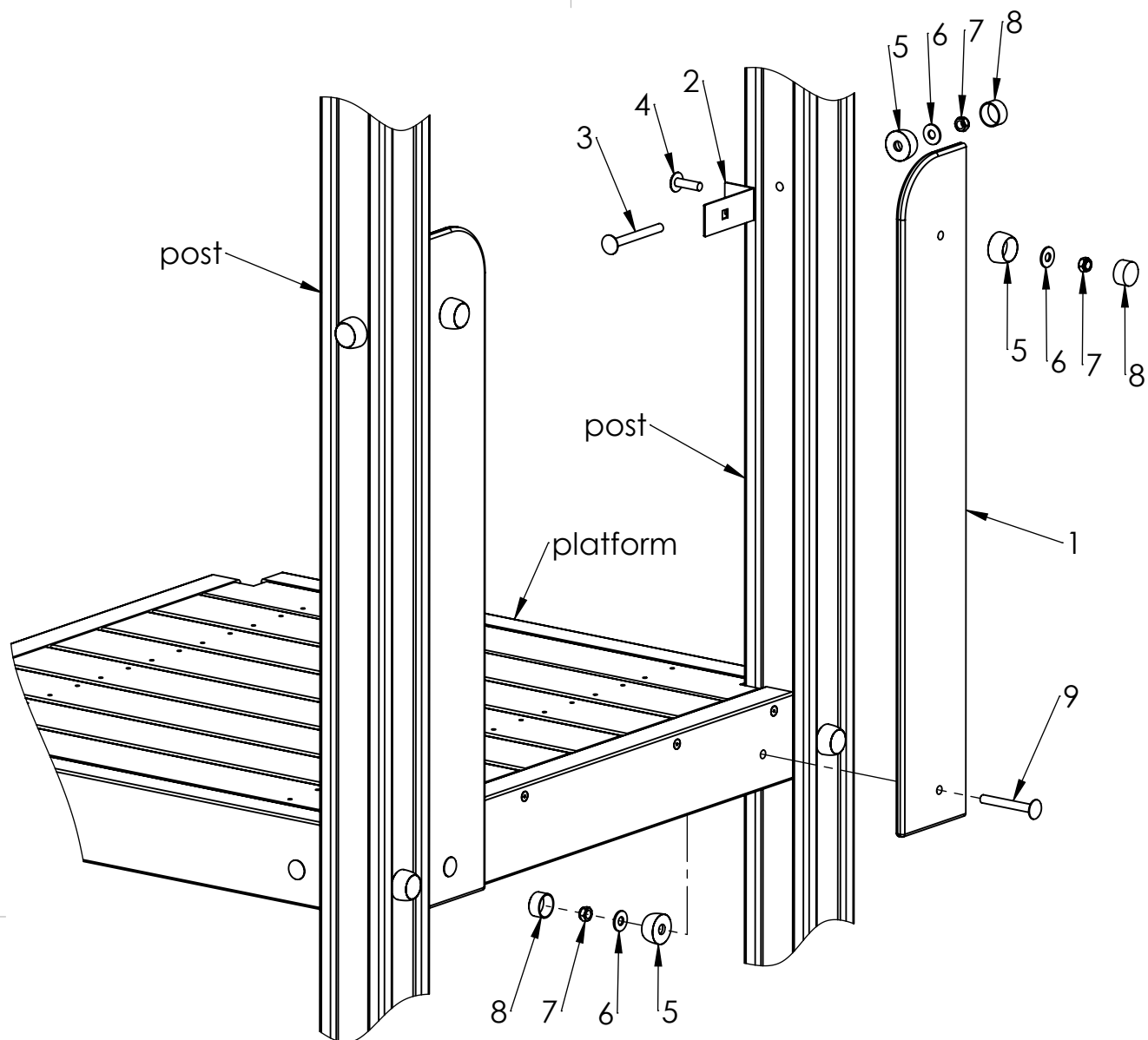
B

C

D

E

F



ITEM NO.	PART NUMBER
1	panel 850x126
2	slide side panel fixing 40x100
3	bolt M10x100 DIN603
4	bolt M10x35 DIN603
5	nut cover M12
6	washer M10 DIN9054
7	nut M10 DIN985
8	nut cover cap M12
9	bolt M10x80 DIN603

UNLESS OTHERWISE SPECIFIED:
DIMENSIONS ARE IN MILLIMETERS
WEIGHT ARE IN KILOGRAMM

PART NUMBER / DWG NO.:

RS108

	NAME	SIGNATURE	DATE	REVISION
DRAWN	M.Rebase		16.11.2017	
APPV'D				

DESCRIPTION:

Climbing frame ATHLETES
connecting climbing pole side panel to post

MATERIAL:

wood, metal, plastic

A4

WEIGHT:

SCALE: 1:8

SHEET 10 OF 15



Tiptap OÜ

Tiptap OÜ
Veetorni 9,
Jüri alevik, Rae vald,
75301 Harjumaa

A

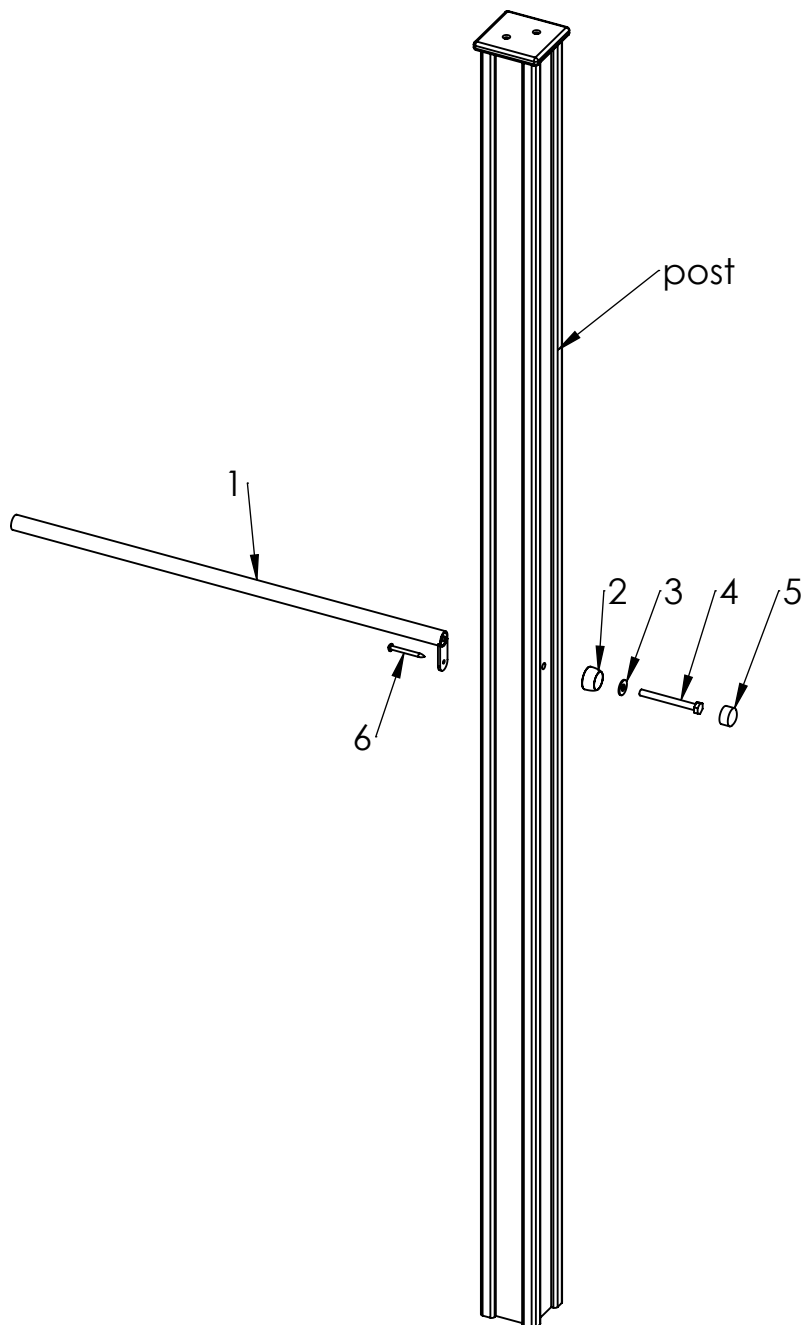
B

C

D

E

F



ITEM NO.	PART NUMBER
1	guardrail ϕ 25x770
2	nut cover M12
3	washer M10 DIN9054
4	bolt M10x100 DIN931
5	nut cover cap M12
6	screw 5,0x40

UNLESS OTHERWISE SPECIFIED:
DIMENSIONS ARE IN MILLIMETERS
WEIGHT ARE IN KILOGRAMM

	NAME	SIGNATURE	DATE	REVISION
DRAWN	M.Rebase		16.11.2017	
APPV'D				

PART NUMBER / DWG NO.:

RS108
connecting guardrail to post

DESCRIPTION:

Climbing frame ATHLETES

MATERIAL:

wood, metal, plastic

A4

WEIGHT:

SCALE: 1:12

SHEET 11 OF 15



Tiptap OÜ

Tiptap OÜ
Veetorni 9,
Jüri alevik, Rae vald,
75301 Harjumaa

A

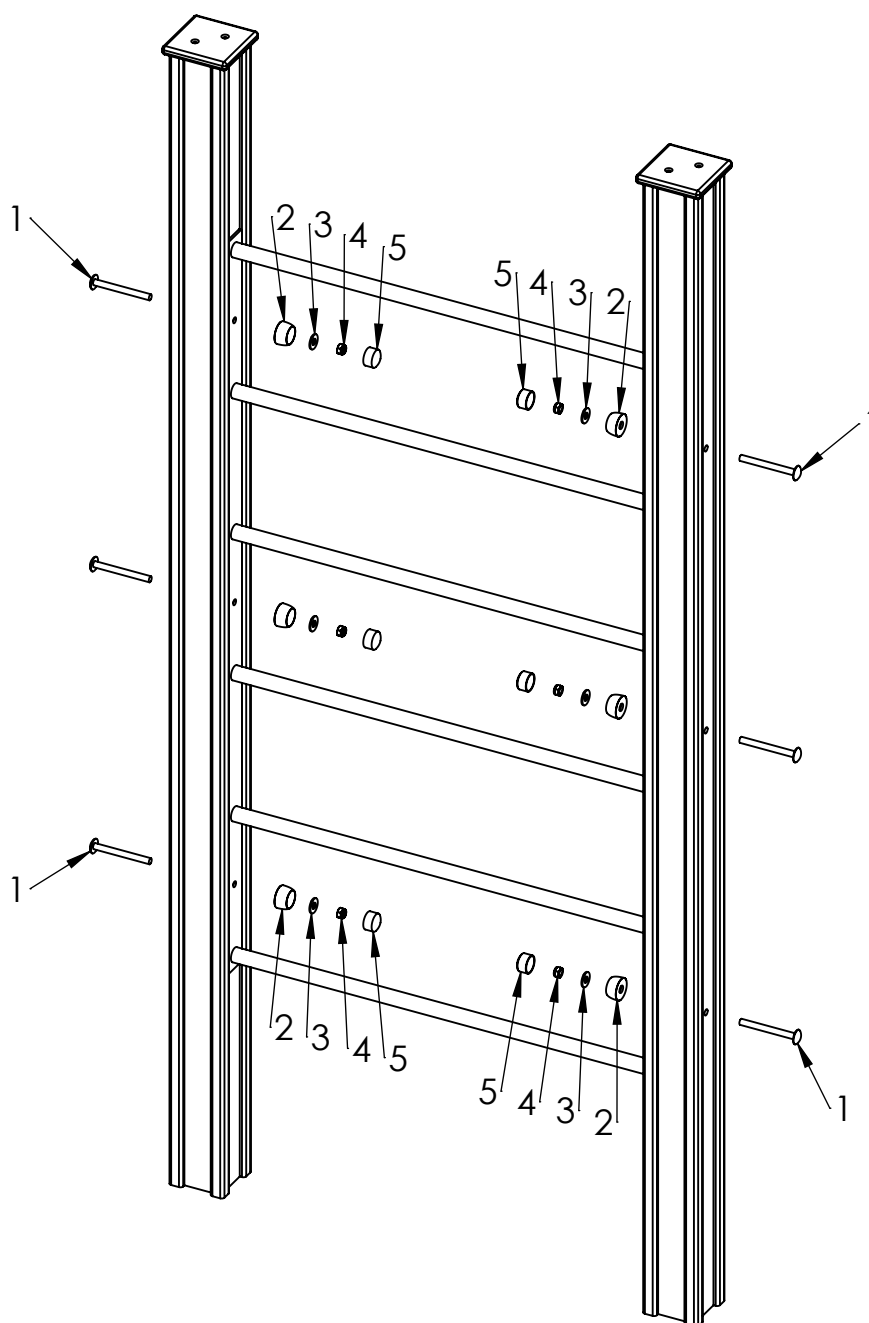
B

C

D

E

F



ITEM NO.	PART NUMBER
1	bolt M10x100 DIN603
2	nut cover M12
3	washer M10 DIN9054
4	nut M10 DIN985
5	nut cover cap M12

UNLESS OTHERWISE SPECIFIED:
DIMENSIONS ARE IN MILLIMETERS
WEIGHT ARE IN KILOGRAMM

PART NUMBER / DWG NO.:

RS108

	NAME	SIGNATURE	DATE	REVISION
DRAWN	M.Rebase		16.11.2017	
APPV'D				

DESCRIPTION:

Climbing frame ATHLETES
connecting ladder to post

MATERIAL:

wood, metal, plastic

A4

WEIGHT:

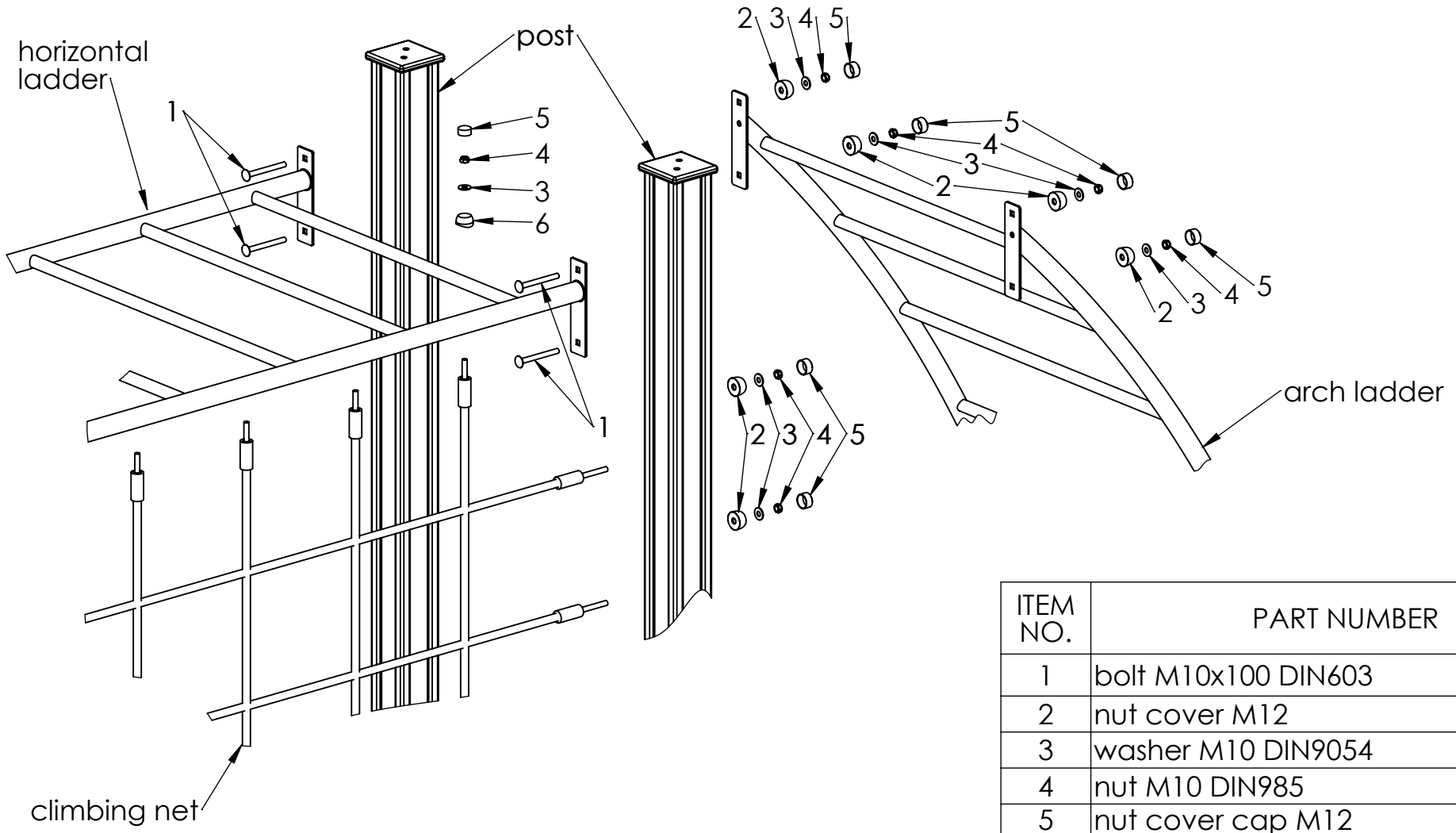
SCALE: 1:12

SHEET 12 OF 15



Tiptap OÜ

Tiptap OÜ
Veetorni 9,
Jüri alevik, Rae vald,
75301 Harjumaa



ITEM NO.	PART NUMBER
1	bolt M10x100 DIN603
2	nut cover M12
3	washer M10 DIN9054
4	nut M10 DIN985
5	nut cover cap M12
6	nut cover M12 for beam

UNLESS OTHERWISE SPECIFIED:
 DIMENSIONS ARE IN MILLIMETERS
 WEIGHT ARE IN KILOGRAMM

	NAME	SIGNATURE	DATE	REVISION
DRAWN	M.Rebase		16.11.2017	
APPV'D				

PART NUMBER / DWG NO.:
RS108

DESCRIPTION:
**Climbing frame ATHLETES
 connecting ladders to post**

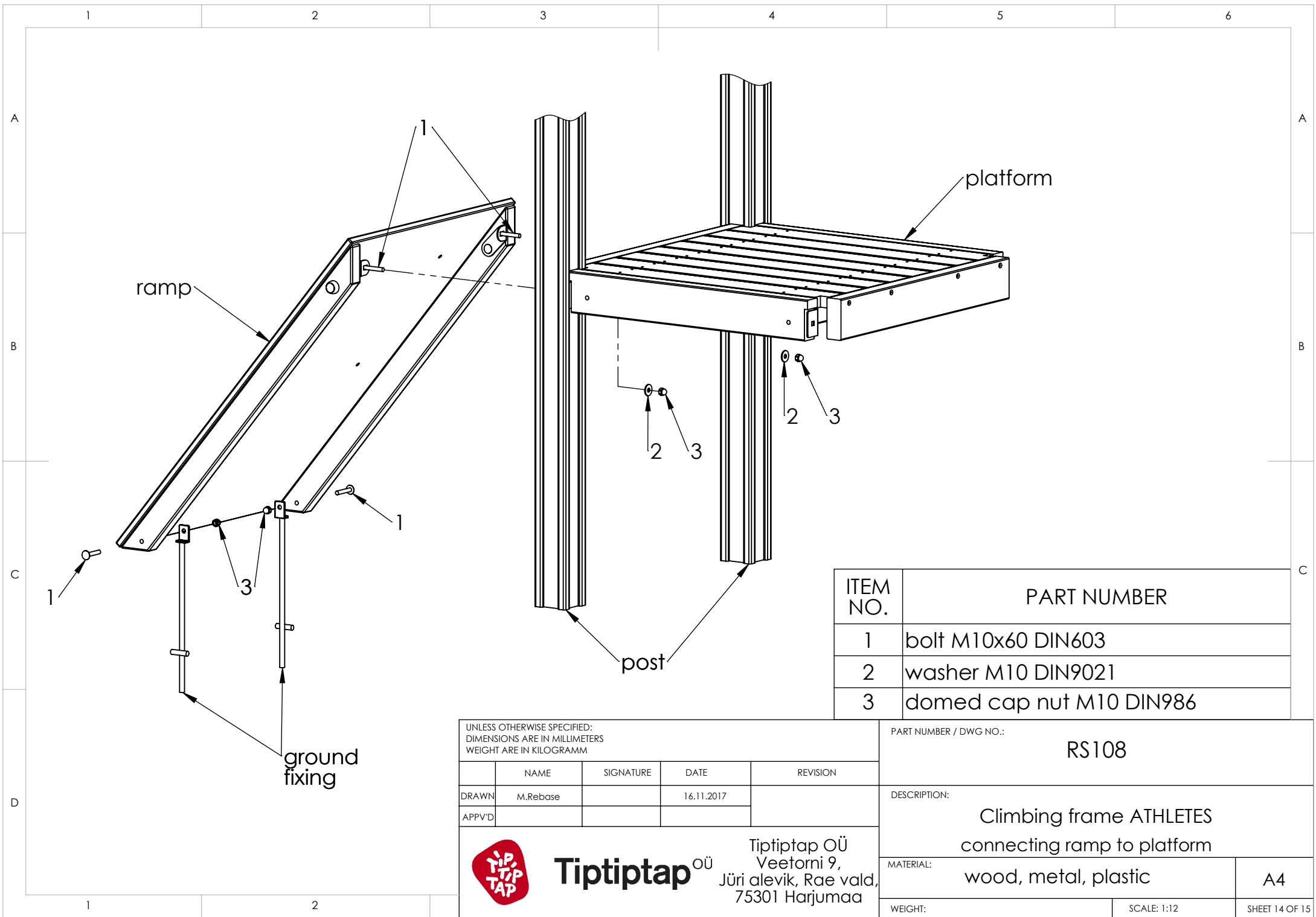


Tiptiptap OÜ
 Tiptiptap OÜ
 Veetorni 9,
 Jüri alevik, Rae vald,
 75301 Harjumaa

MATERIAL:
 wood, metal, plastic

A4

WEIGHT: SCALE: 1:12 SHEET 13 OF 15



ITEM NO.	PART NUMBER
1	bolt M10x60 DIN603
2	washer M10 DIN9021
3	domed cap nut M10 DIN986

UNLESS OTHERWISE SPECIFIED:
 DIMENSIONS ARE IN MILLIMETERS
 WEIGHT ARE IN KILOGRAMM

	NAME	SIGNATURE	DATE	REVISION
DRAWN	M.Rebase		16.11.2017	
APPV'D				



Tiptiptap OÜ
 Tiptiptap OÜ
 Veetorni 9,
 Jüri alevik, Rae vald,
 75301 Harjumaa

PART NUMBER / DWG NO.:		RS108	
DESCRIPTION:			
Climbing frame ATHLETES connecting ramp to platform			
MATERIAL:		wood, metal, plastic	A4
WEIGHT:		SCALE: 1:12	SHEET 14 OF 15

A

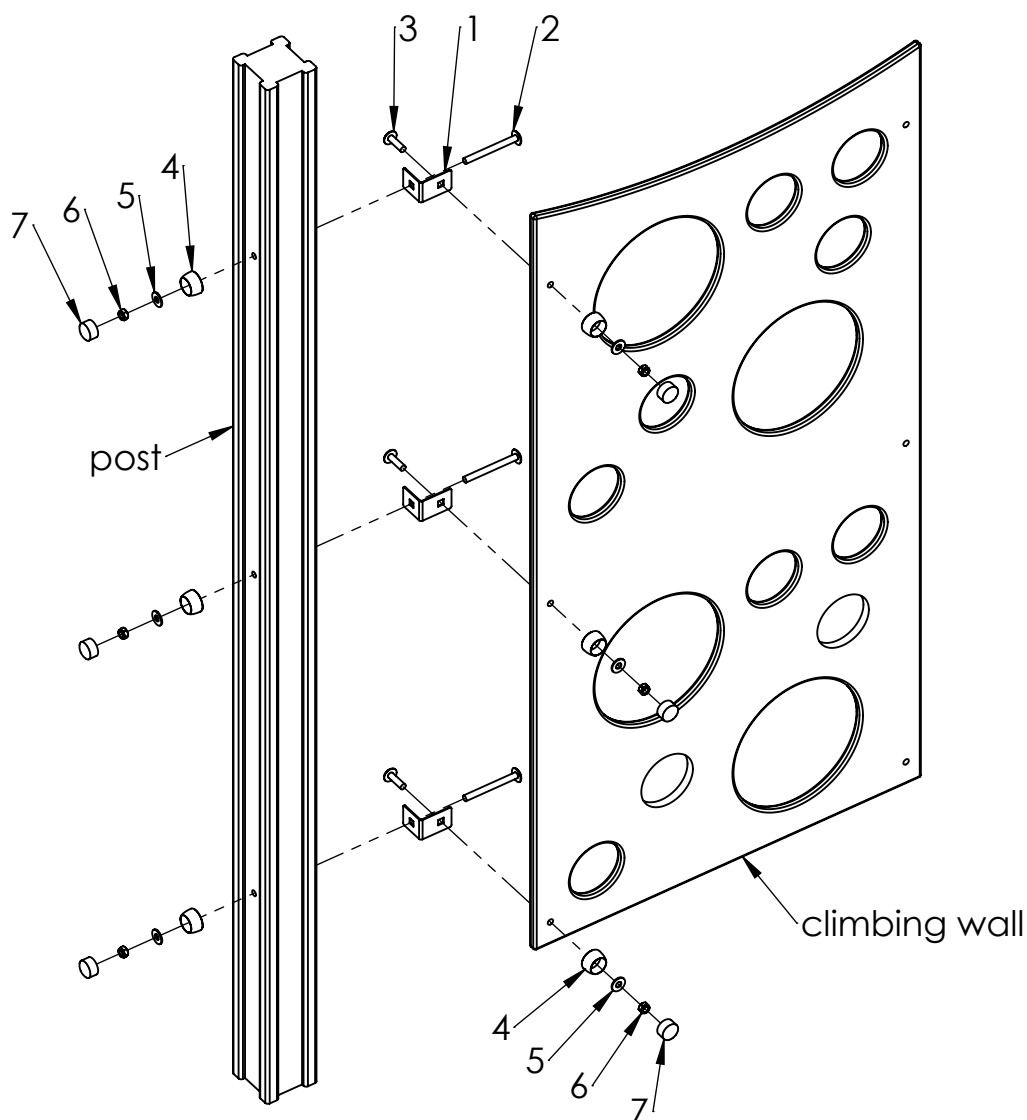
B

C

D

E

F



ITEM NO.	PART NUMBER
1	corner 48x60
2	bolt M10x100 DIN603
3	bolt M10x35 DIN603
4	nut cover M12
5	washer M10 DIN9054
6	nut M10 DIN985
7	nut cover cap M12

UNLESS OTHERWISE SPECIFIED:
DIMENSIONS ARE IN MILLIMETERS
WEIGHT ARE IN KILOGRAMM

PART NUMBER / DWG NO.:

RS108

	NAME	SIGNATURE	DATE	REVISION
DRAWN	M.Rebase		16.11.2017	
APPV'D				

DESCRIPTION:

Climbing frame ATHLETES
connecting climbing wall to post

MATERIAL:

wood, metal, plastic

A4

WEIGHT:

SCALE: 1:12

SHEET 15 OF 15



Tiptaptap OÜ

Tiptaptap OÜ
Veetorni 9,
Jüri alevik, Rae vald,
75301 Harjumaa