

UNLESS OTHERWISE SPECIFIED:  
DIMENSIONS ARE IN MILLIMETERS  
WEIGHT ARE IN KILOGRAMM

PART NUMBER / DWG NO.:

LM223

DRAWN	NAME	SIGNATURE	DATE	REVISION
APPVD	M.Rebase		12.04.2019	

DESCRIPTION:  
Play Centre THERESA

**Tipti tap** OÜ  
Tipti tap OÜ  
Veetorni 9,  
Jüri alevik, Rae vald,  
75301 Harjumaa

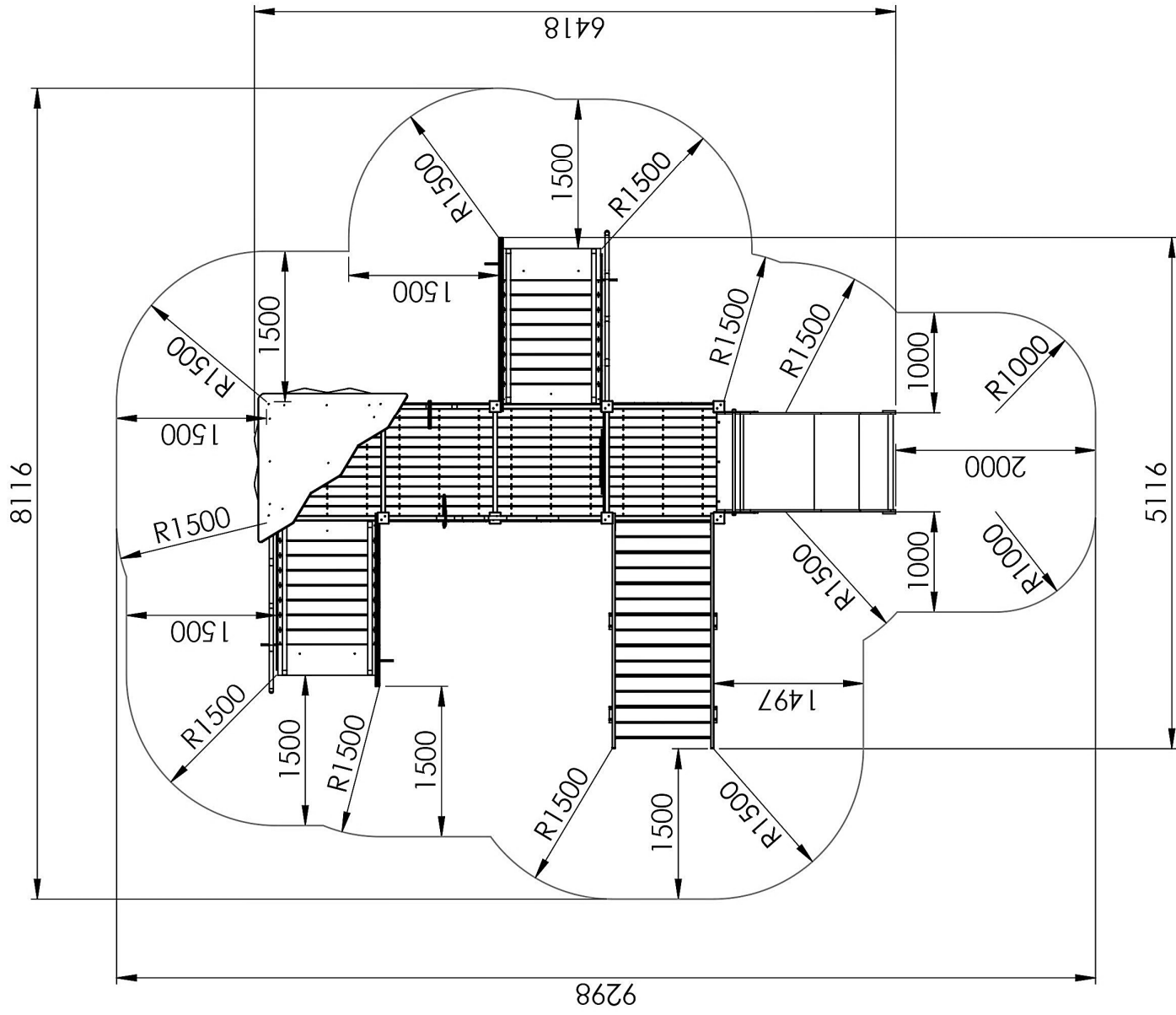
MATERIAL:  
wood, metal, plastic

A4

WEIGHT:  
SCALE: 1:40

SHEET 1 OF 18

safety area



UNLESS OTHERWISE SPECIFIED:  
DIMENSIONS ARE IN MILLIMETERS  
WEIGHT ARE IN KILOGRAMM

DRAWN	NAME	SIGNATURE	DATE	REVISION
APPVD	M.Rebase		12.04.2019	

PART NUMBER / DWG NO.:

LM223

DESCRIPTION:

Play Centre THERESA

Tiptiptap OÜ  
Veetarni 9,  
Jüri alevik, Rae vald,  
75301 Harjumaa



**Tiptiptap** OÜ

MATERIAL: wood, metal, plastic

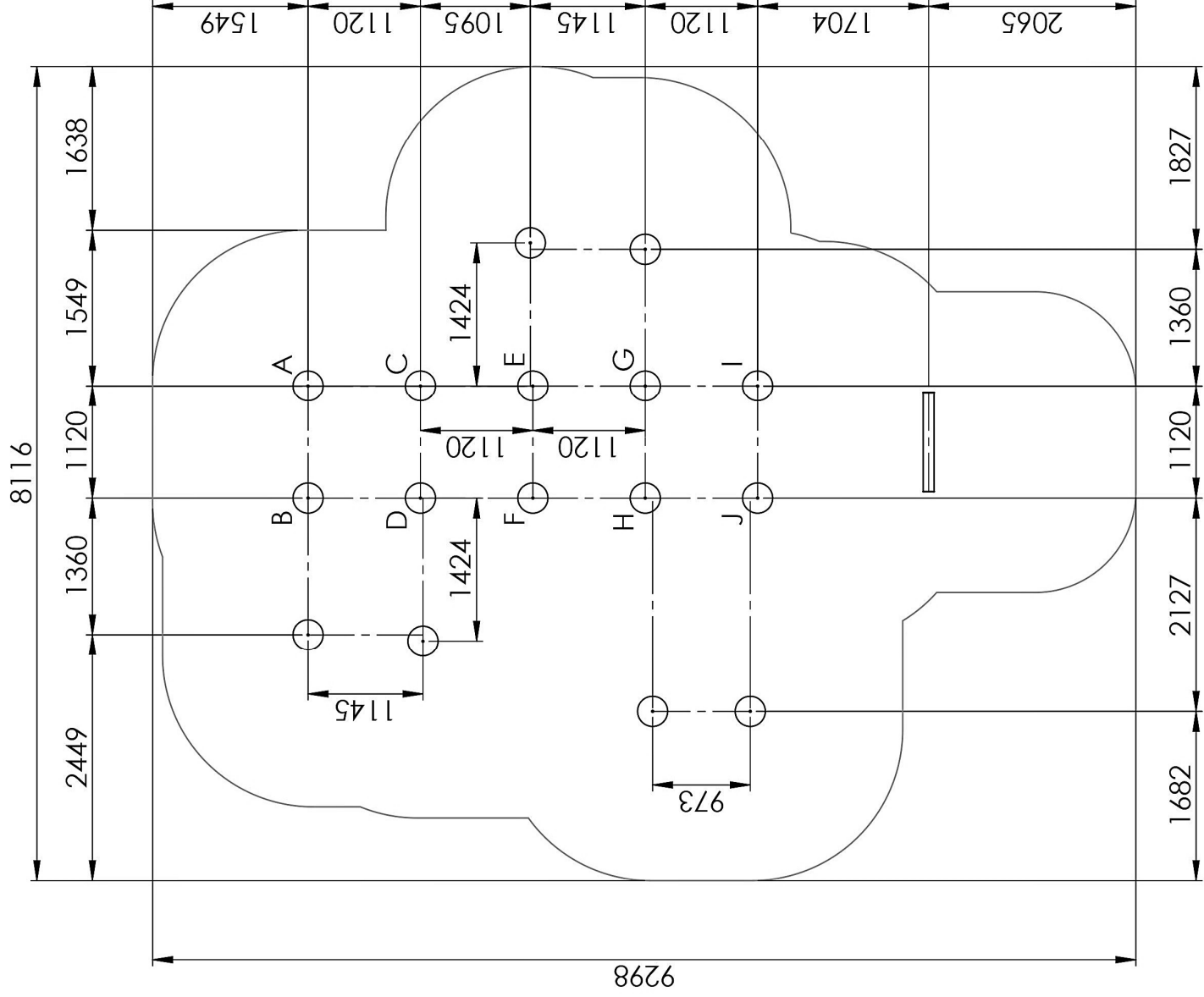
A4

WEIGHT:

SCALE: 1:50

SHEET 2 OF 18

# foundation



depth of foundation 600mm

UNLESS OTHERWISE SPECIFIED:  
DIMENSIONS ARE IN MILLIMETERS  
WEIGHT ARE IN KILOGRAMM

PART NUMBER / DWG NO.:

LM223

DRAWN	NAME	SIGNATURE	DATE	REVISION
APPVD	M.Rebase		12.04.2019	

DESCRIPTION:

Play Centre THERESA

Tipti tap OÜ  
Veetarni 9,  
Jüri alevik, Rae vald,  
75301 Harjumaa



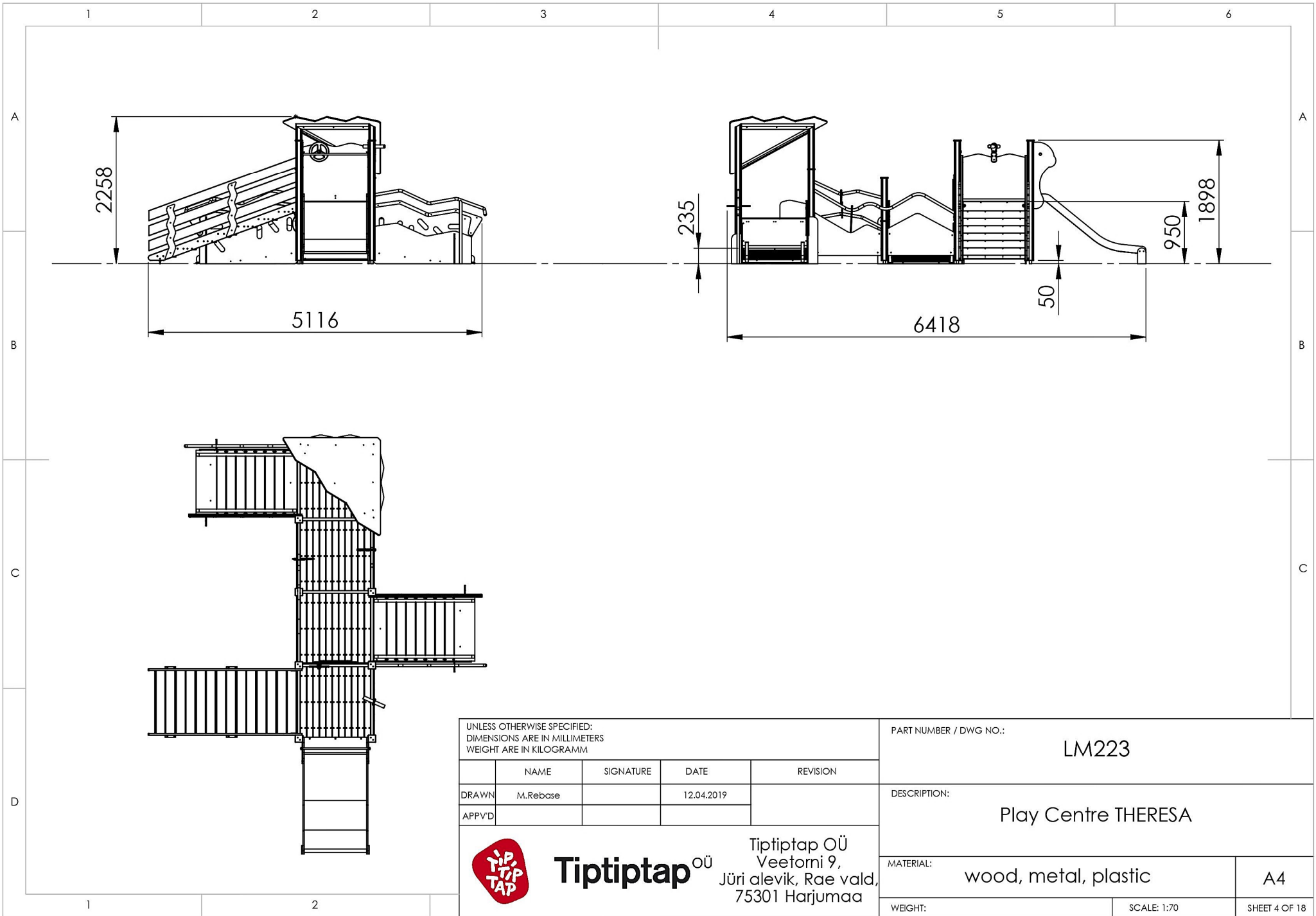
MATERIAL:  
wood, metal, plastic

A4

WEIGHT:

SCALE: 1:60

SHEET 3 OF 18



UNLESS OTHERWISE SPECIFIED:  
 DIMENSIONS ARE IN MILLIMETERS  
 WEIGHT ARE IN KILOGRAMM

PART NUMBER / DWG NO.:  
 LM223

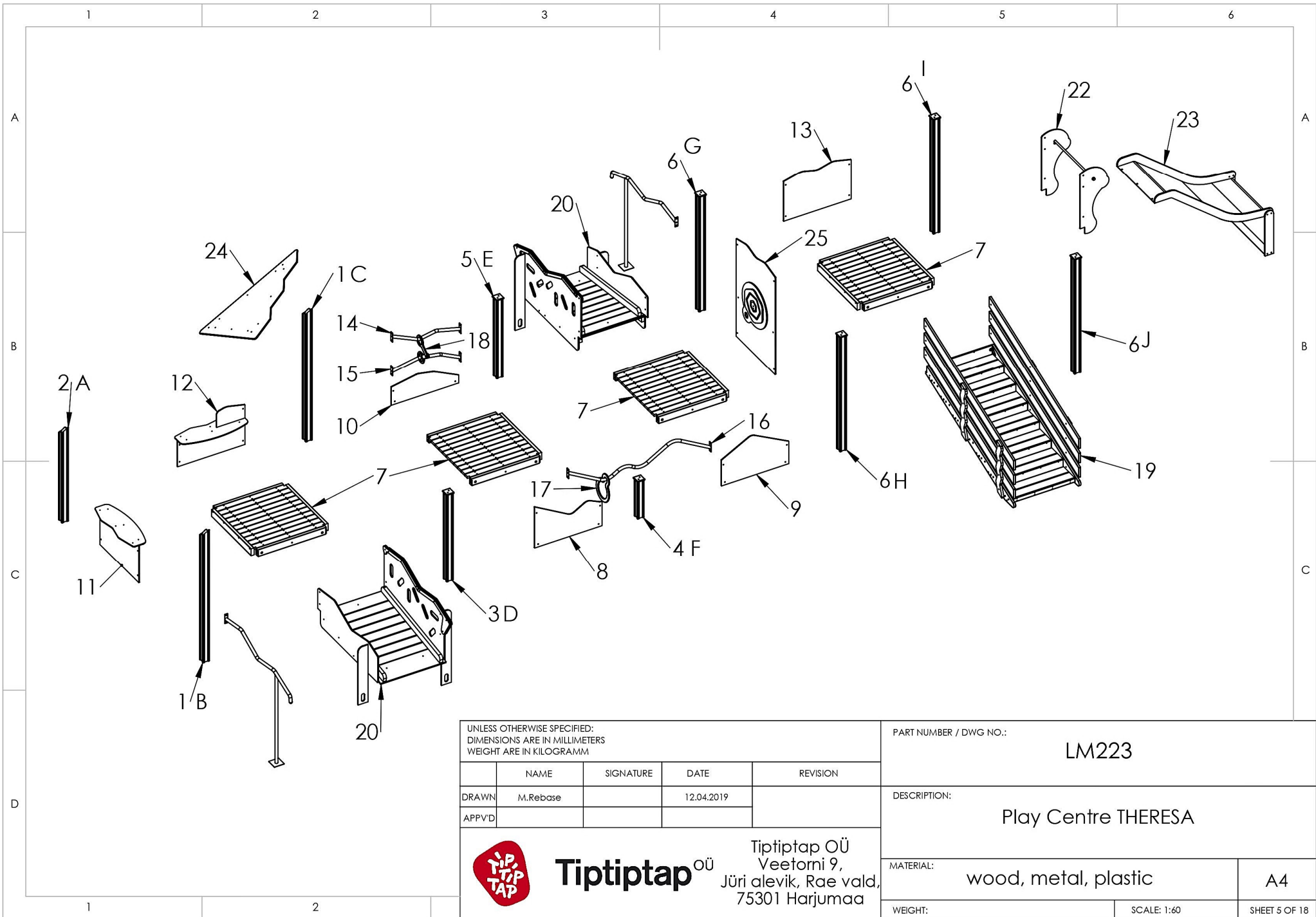
	NAME	SIGNATURE	DATE	REVISION
DRAWN	M.Rebase		12.04.2019	
APPVD				

DESCRIPTION:  
 Play Centre THERESA

 **Tiptaptap** OÜ  
 Veetorni 9,  
 Jüri alevik, Rae vald,  
 75301 Harjumaa

MATERIAL:	wood, metal, plastic	A4
WEIGHT:	SCALE: 1:70	SHEET 4 OF 18





UNLESS OTHERWISE SPECIFIED:  
 DIMENSIONS ARE IN MILLIMETERS  
 WEIGHT ARE IN KILOGRAMM

	NAME	SIGNATURE	DATE	REVISION
DRAWN	M.Rebase		12.04.2019	
APPVD				


**Tiptaptap** OÜ  
 Veetorni 9,  
 Jüri alevik, Rae vald,  
 75301 Harjumaa

PART NUMBER / DWG NO.: **LM223**

DESCRIPTION:  
**Play Centre THERESA**

MATERIAL:	wood, metal, plastic	A4
WEIGHT:	SCALE: 1:60	SHEET 5 OF 18

4

3

2

1

ITEM NO.	PART NUMBER	DESCRIPTION	QTY.
1	post 98x98x2100 with bevel	laminated wood	2
2	post 98x98x1490 with bevel	laminated wood	1
3	post 98x98x1400	laminated wood	1
4	post 98x98x600	laminated wood	1
5	post 98x98x1260	laminated wood	1
6	post 98x98x1840	laminated wood	4
7	platform	laminated wood, metal	4
8	panel 1	plywood	1
9	panel 2	plywood	1
10	panel 3	plywood	1
11	panel 4	plywood	1
12	panel 5	plywood	1
13	panel 6	plywood	1
14	tube 1	painted steel	1
15	tube 2	painted steel	1
16	tube 3	painted steel	1
17	motor skills game A	PE plastic	1
18	motor skills game B	PE plastic	1
19	stairs	laminated wood	1
20	ramp	wood, plywood, PE plastic	2
21	handrail	painted steel	2
22	slide guard block	plywood, metal, plastic	1
23	slide h.950-w.1000	stainless steel, PE plastic	1
24	roof	plywood	1
25	panel with motor skills game	plywood, PE plastic	1

E

UNLESS OTHERWISE SPECIFIED:  
DIMENSIONS ARE IN MILLIMETERS  
WEIGHT ARE IN KILOGRAMM

NAME	SIGNATURE	DATE	REVISION
DRAWN M.Rebase		12.04.2019	
APPVD			

**Tiptiptap**<sup>oÜ</sup>  
Tiptiptap oÜ  
Veetarni 9,  
Jüri alevik, Rae vald,  
75301 Harjumaa

PART NUMBER / DWG NO.:

LM223

DESCRIPTION:

Play Centre THERESA

MATERIAL:

wood, metal, plastic

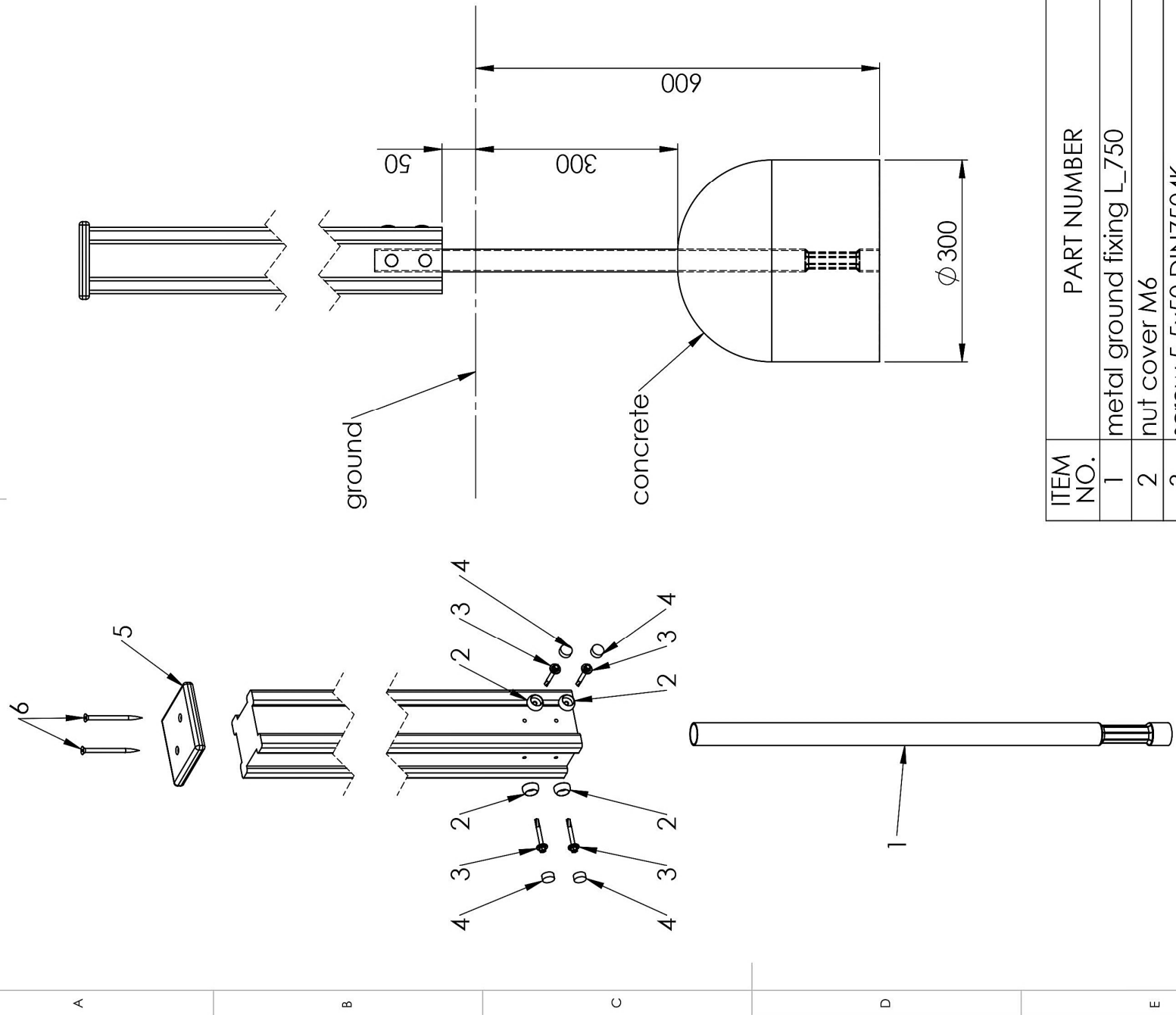
A4

WEIGHT:

SCALE: 1:50

SHEET 6 OF 18

F



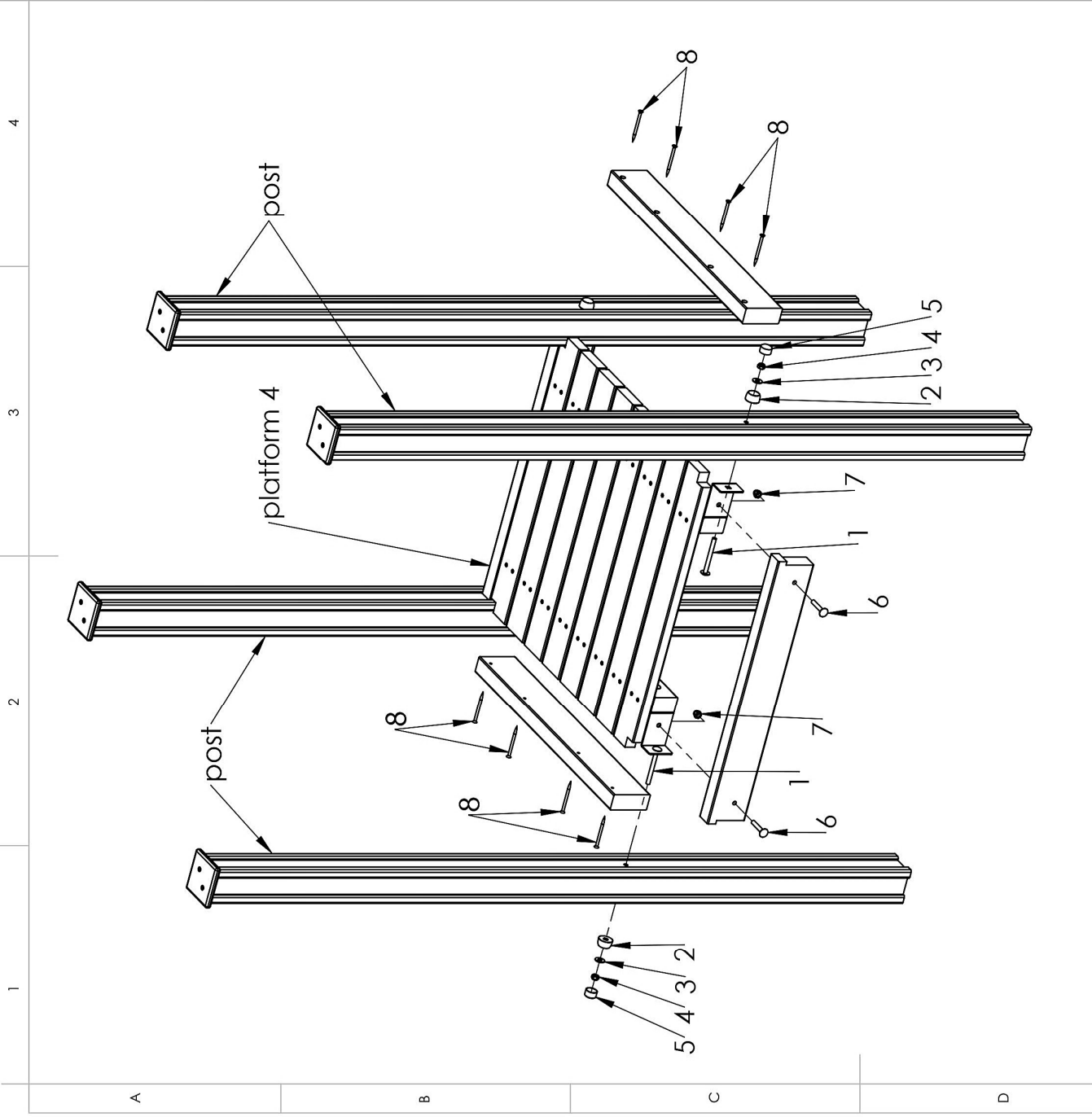
ITEM NO.	PART NUMBER
1	metal ground fixing L_750
2	nut cover M6
3	screw 5,5x50 DIN7504K
4	nut cover cap M6
5	plastic cap 115x115
6	wood screw 6 x 90

UNLESS OTHERWISE SPECIFIED: DIMENSIONS ARE IN MILLIMETERS WEIGHT ARE IN KILOGRAMM		PART NUMBER / DWG NO.:	
		LM223	
DESCRIPTION:		Play Centre THERESA	
connecting metal ground fixing to post		wood, metal, plastic	
MATERIAL:		A4	
WEIGHT:		SCALE: 1:8	
SHEET 7 OF 18			

NAME	SIGNATURE	DATE	REVISION
DRAWN M.Rebase		12.04.2019	
APPVD			

**Tiptiptap** OÜ  
 Tiptiptap OÜ  
 Veetorni 9,  
 Jüri alevik, Rae vald,  
 75301 Harjumaa





ITEM NO.	PART NUMBER
1	bolt M10x100 DIN603
2	nut cover M12
3	washer M10 DIN9054
4	nut M10 DIN985
5	nut cover cap M12
6	bolt M10x60 DIN603
7	domed cap nut M10 DIN986
8	wood screw 6 x 90

UNLESS OTHERWISE SPECIFIED: DIMENSIONS ARE IN MILLIMETERS WEIGHT ARE IN KILOGRAMM		PART NUMBER / DWG NO.:		LM223	
DRAWN	M.Rebase	DATE	12.04.2019	DESCRIPTION:	
APPVD		SIGNATURE		Play Centre THERESA	
			REVISION	connecting platform to post	
				MATERIAL:	wood, metal, plastic
				WEIGHT:	A4
				SCALE:	1:15
					SHEET 8 OF 18



**Tiptap OÜ**  
 Tiptap OÜ  
 Veetarni 9,  
 Jüri alevik, Rae vald,  
 75301 Harjumaa

1 2 3 4 5 6

A

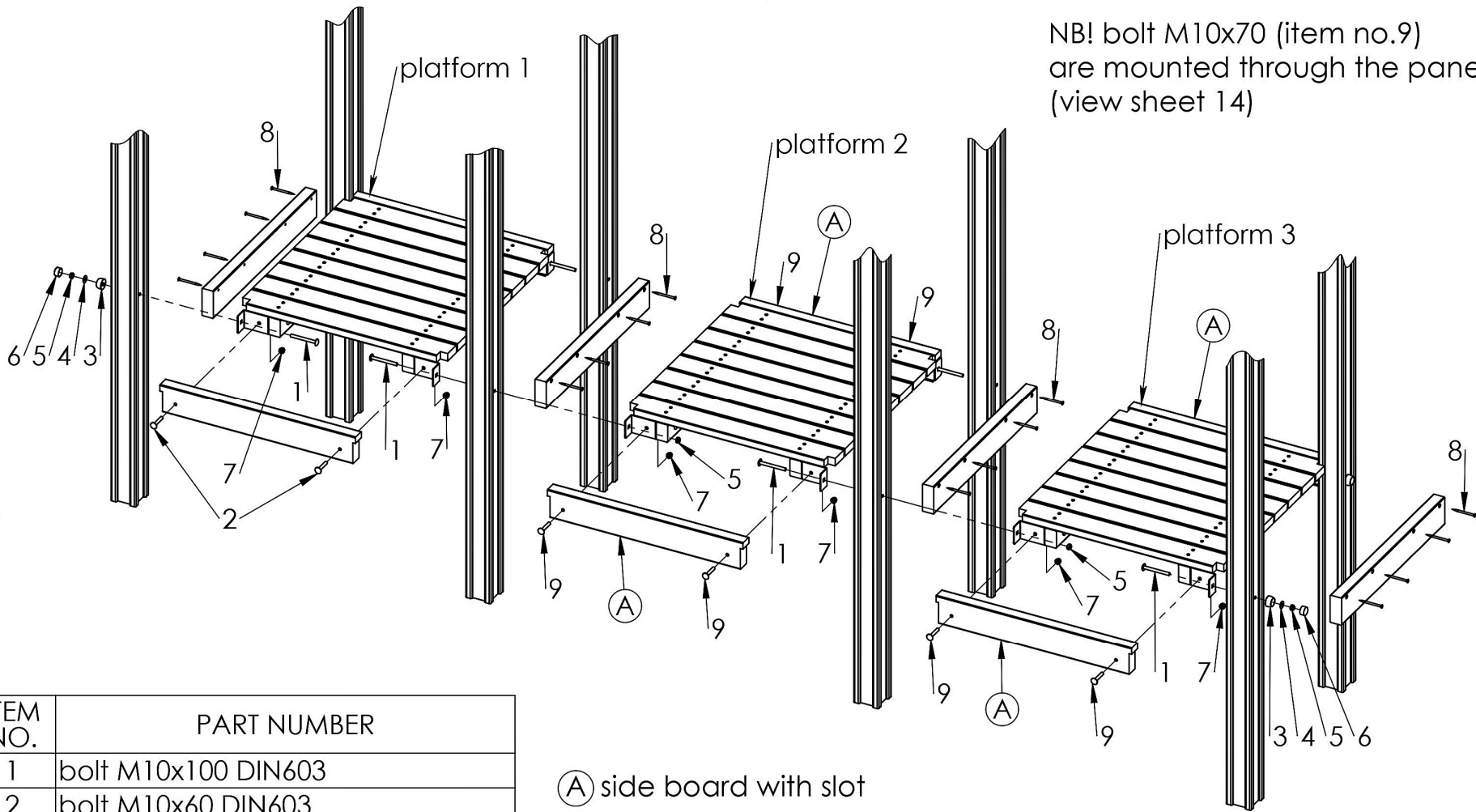
B

C

A

B

C



NB! bolt M10x70 (item no.9) are mounted through the panel 1-3 (view sheet 14)

(A) side board with slot

ITEM NO.	PART NUMBER
1	bolt M10x100 DIN603
2	bolt M10x60 DIN603
3	nut cover M12
4	washer M10 DIN9054
5	nut M10 DIN985
6	nut cover cap M12
7	domed cap nut M10 DIN986
8	wood screw 6 x 90
9	bolt M10x70 DIN603

UNLESS OTHERWISE SPECIFIED: DIMENSIONS ARE IN MILLIMETERS WEIGHT ARE IN KILOGRAMM			
NAME	SIGNATURE	DATE	REVISION
DRAWN M.Rebase		12.04.2019	
APPVD			

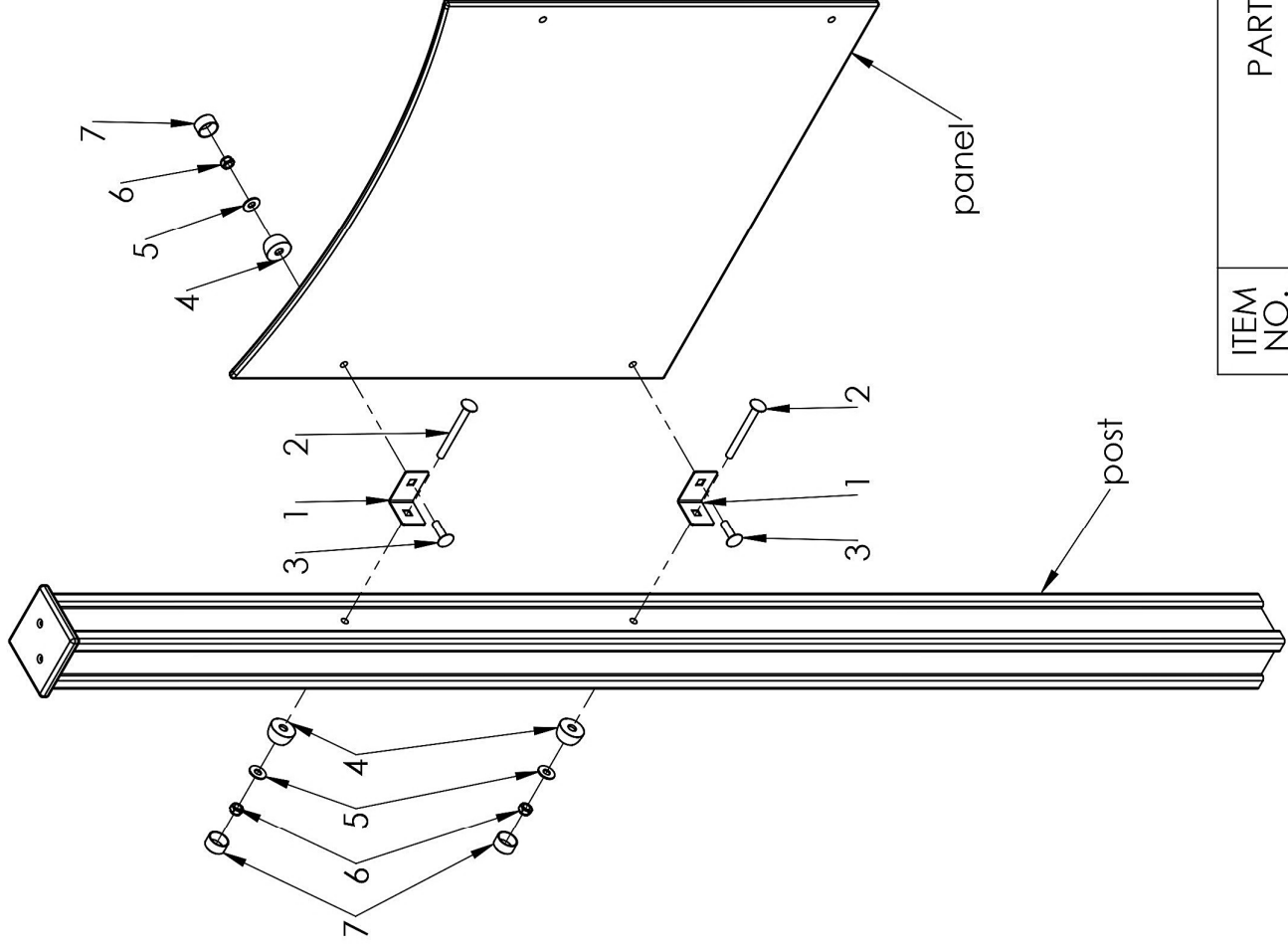
PART NUMBER / DWG NO.:	LM223
DESCRIPTION:	Play Centre THERESA connecting three platforms
MATERIAL:	wood, metal, plastic
WEIGHT:	
SCALE:	1:20
SHEET	9 OF 18



**Tiptiptap** OÜ  
Veetorni 9,  
Jüri alevik, Rae vald,  
75301 Harjumaa

1

2

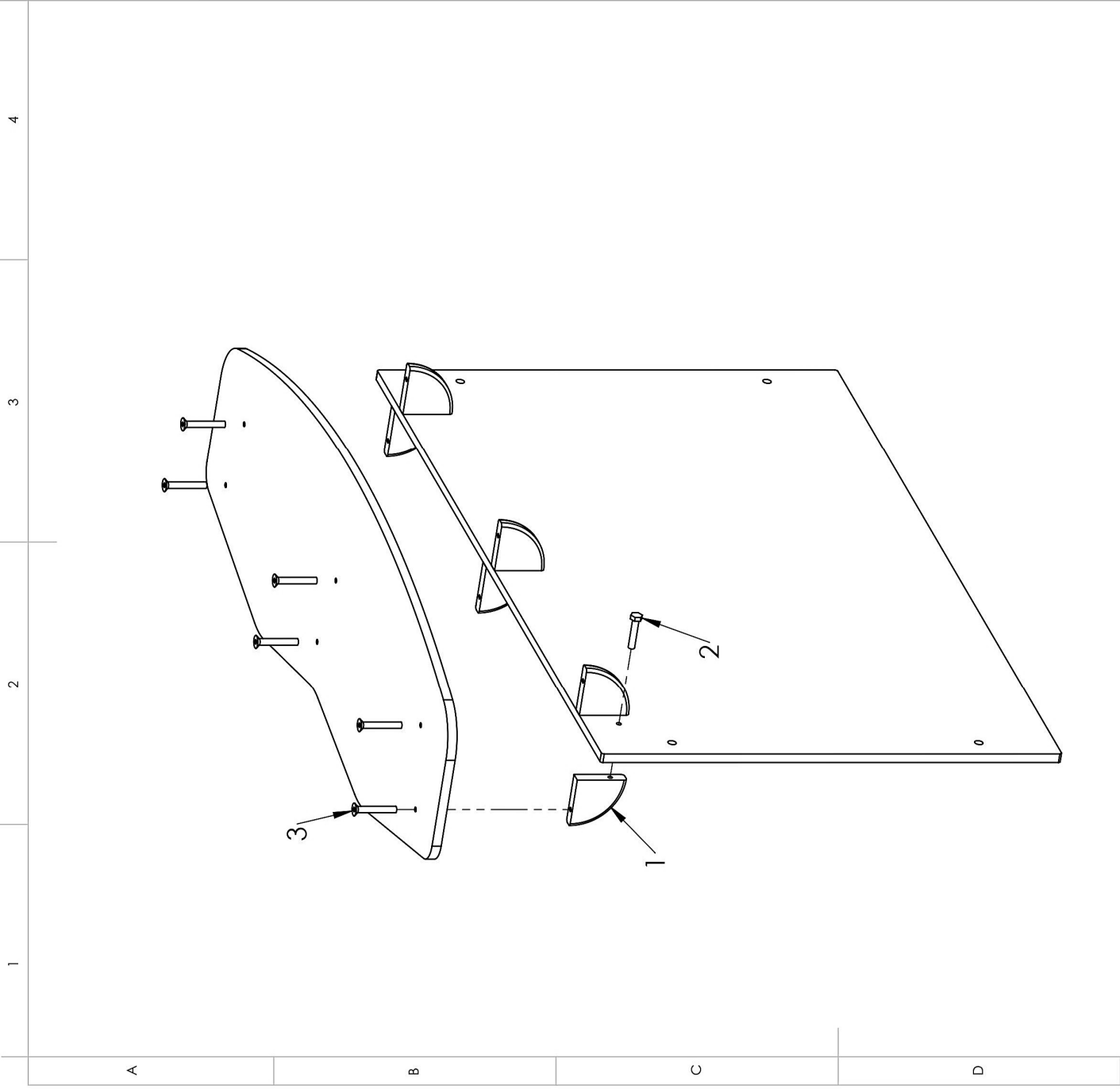


ITEM NO.	PART NUMBER
1	corner 48x60
2	bolt M10x100 DIN603
3	bolt M10x35 DIN603
4	nut cover M12
5	washer M10 DIN9054
6	nut M10 DIN985
7	nut cover cap M12

UNLESS OTHERWISE SPECIFIED: DIMENSIONS ARE IN MILLIMETERS WEIGHT ARE IN KILOGRAMM		PART NUMBER / DWG NO.: <b>LM223</b>	
NAME	SIGNATURE	DATE	REVISION
DRAWN M.Rebase		12.04.2019	
APPVD			
DESCRIPTION: Play Centre THERESA connecting panel to post		MATERIAL: wood, metal, plastic	
Tiptiptap OÜ Veetorni 9, Jüri alevik, Rae vald, 75301 Harjumaa		WEIGHT: SCALE: 1:10	
SHEET 10 OF 18		A4	



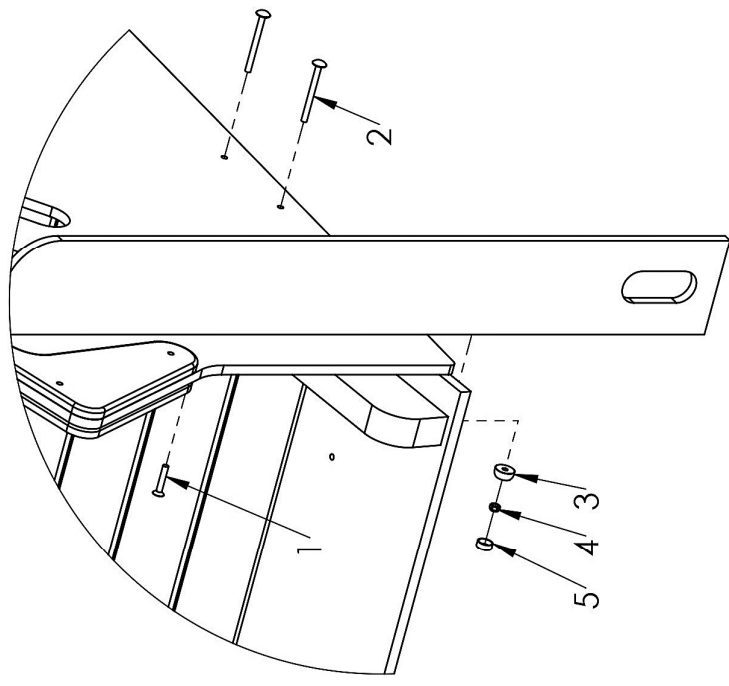
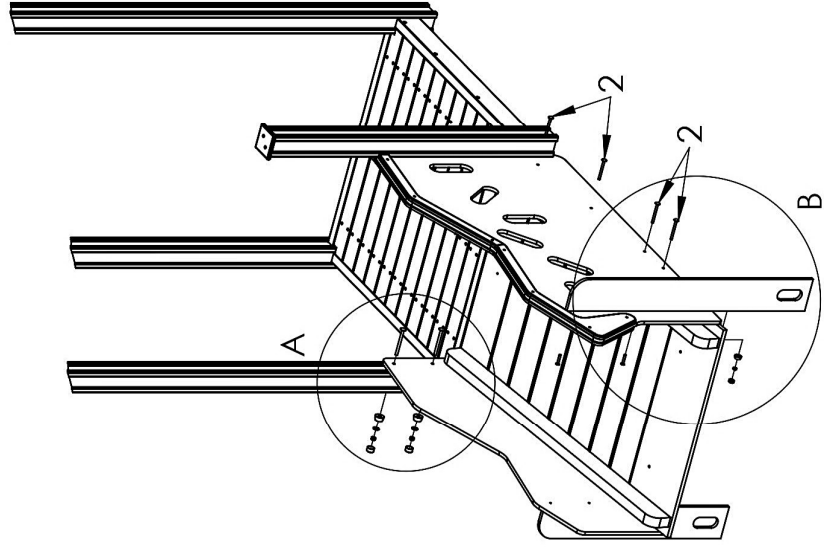




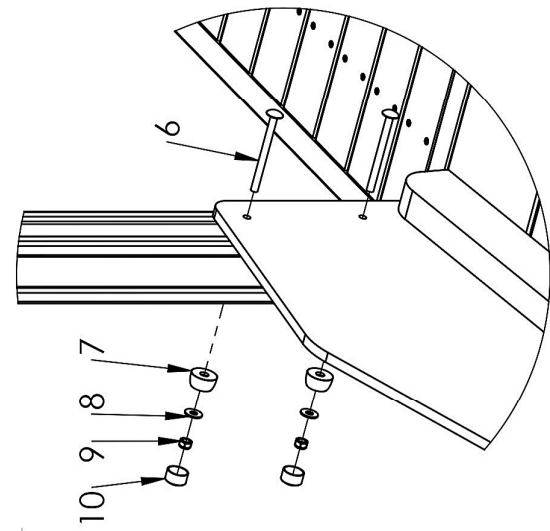
ITEM NO.	PART NUMBER
1	plastic corner
2	bolt M8x40 art.9121
3	bolt M8x50 DIN7991

UNLESS OTHERWISE SPECIFIED: DIMENSIONS ARE IN MILLIMETERS WEIGHT ARE IN KILOGRAMM		PART NUMBER / DWG NO.:		LM223
DRAWN	NAME	SIGNATURE	DATE	REVISION
APPVD	M.Rebase		12.04.2019	
DESCRIPTION: Play Centre THERESA				
MATERIAL: wood, metal, plastic				
WEIGHT: SCALE: 1:7				
Tiptiptap OÜ Veetarni 9, Jüri alevik, Rae vald, 75301 Harjumaa				
				A4
				SHEET 11 OF 18





DETAIL B  
SCALE 1:10



DETAIL A  
SCALE 1:10

ITEM NO.	PART NUMBER
1	bolt M8x40 DIN7991
2	bolt M8x90 DIN603
3	nut cover M8
4	nut M8 DIN985
5	nut cover cap M8
6	bolt M10x120 DIN603
7	nut cover M12
8	washer M10 DIN9054
9	nut M10 DIN985
10	nut cover cap M12

UNLESS OTHERWISE SPECIFIED:  
DIMENSIONS ARE IN MILLIMETERS  
WEIGHT ARE IN KILOGRAMM

PART NUMBER / DWG NO.:

LM223

NAME	SIGNATURE	DATE	REVISION
DRAWN M.Rebase		12.04.2019	
APPVD			

DESCRIPTION:  
Play Centre THERESA

Tiptiptap OÜ  
Veetorni 9,  
Jüri alevik, Rae vald,  
75301 Harjumaa



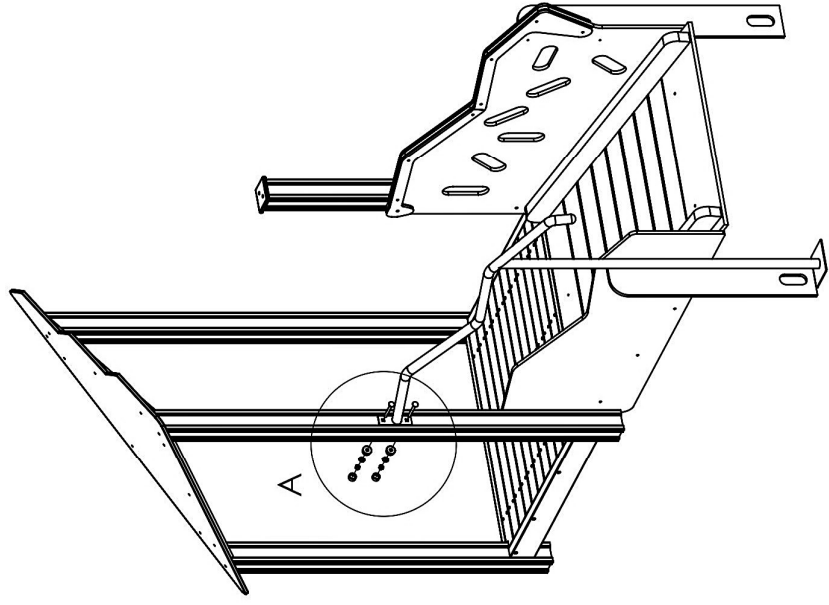
MATERIAL:  
wood, metal, plastic

A4

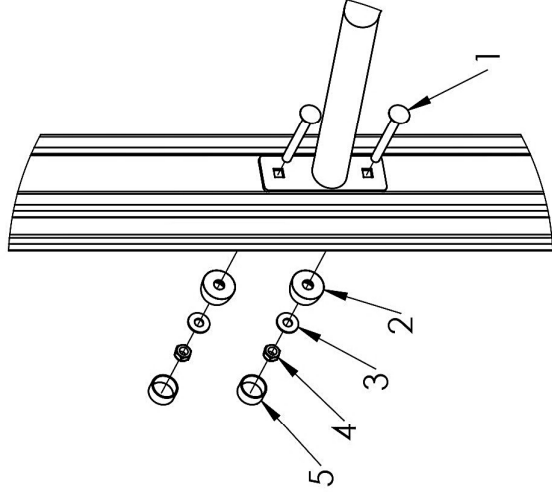
WEIGHT:

SCALE: 1:30

SHEET 12 OF 18



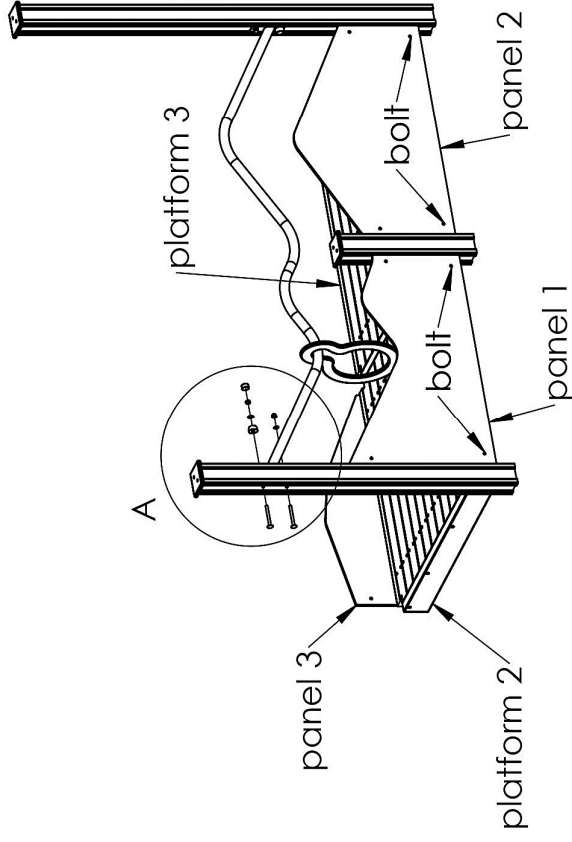
DETAIL A  
SCALE 1:8



ITEM NO.	PART NUMBER
1	bolt M10x100 DIN603
2	nut cover M12
3	washer M10 DIN9054
4	nut M10 DIN985
5	nut cover cap M12

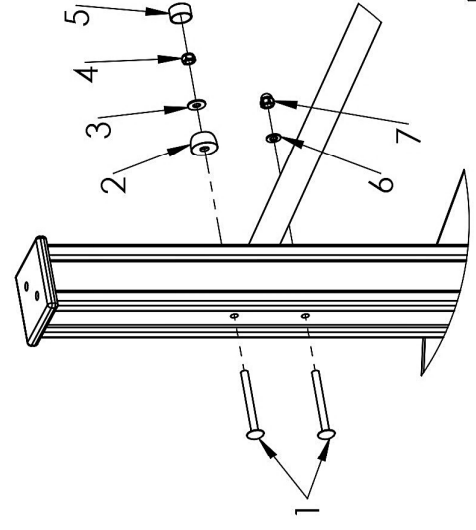
UNLESS OTHERWISE SPECIFIED: DIMENSIONS ARE IN MILLIMETERS WEIGHT ARE IN KILOGRAMM		PART NUMBER / DWG NO.: <b>LM223</b>	
NAME	SIGNATURE	DATE	REVISION
DRAWN M.Rebase		12.04.2019	
APPVD			
DESCRIPTION: <b>Play Centre THERESA</b>		MATERIAL: wood, metal, plastic	
Tiptiptap OÜ Veetorni 9, Jüri alevik, Rae vald, 75301 Harjumaa		WEIGHT: SCALE: 1:30	
Tiptiptap OÜ		SHEET 13 OF 18	





panel 1-3 fixed to platform 2-3 with bolts M10x70 (view sheet 9)

DETAIL A  
SCALE 1 : 10



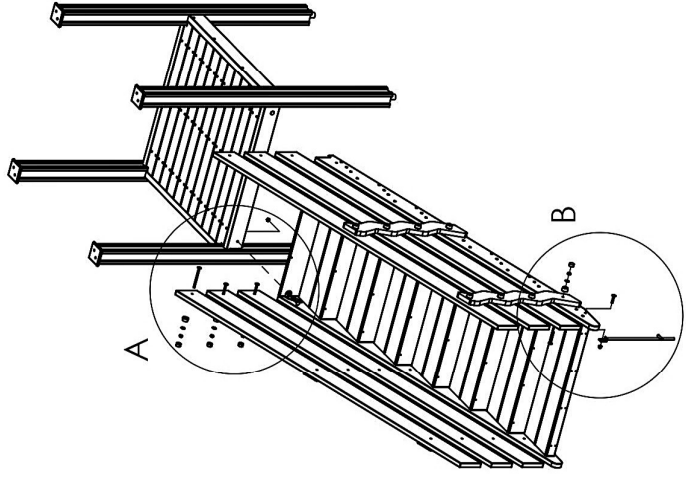
ITEM NO.	PART NUMBER
1	bolt M10x100 DIN603
2	nut cover M12
3	washer M10 DIN9054
4	nut M10 DIN985
5	nut cover cap M12
6	washer M10 DIN125
7	domed cap nut M10 DIN986

UNLESS OTHERWISE SPECIFIED: DIMENSIONS ARE IN MILLIMETERS WEIGHT ARE IN KILOGRAMM		PART NUMBER / DWG NO.:	
		LM223	
DESCRIPTION:		Play Centre THERESA	
MATERIAL:		wood, metal, plastic	
WEIGHT:		SCALE: 1:30	
Tiptiptap OÜ Veetorni 9, Jüri alevik, Rae vald, 75301 Harjumaa		SHEET 14 OF 18	

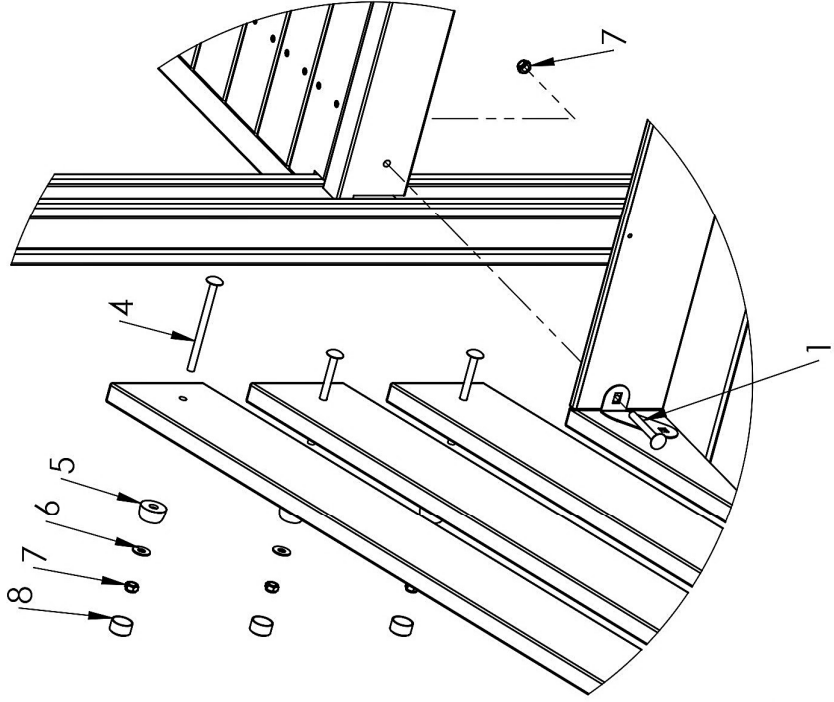


**Tiptiptap** OÜ

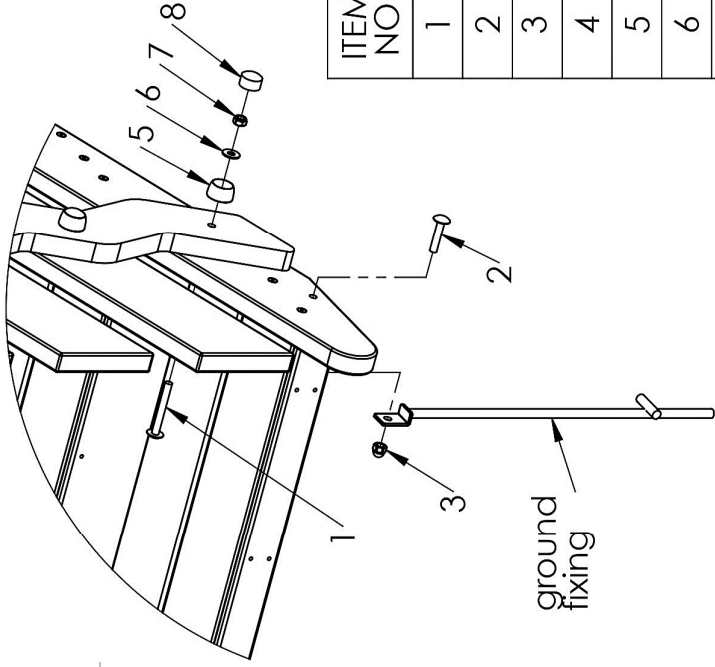
Tiptiptap OÜ  
Veetorni 9,  
Jüri alevik, Rae vald,  
75301 Harjumaa



DETAIL A  
SCALE 1:10



DETAIL B  
SCALE 1:10



ITEM NO.	PART NUMBER
1	bolt M10x80 DIN603
2	bolt M10x50 DIN603
3	domed cap nut M10 DIN986
4	bolt M10x140 DIN603
5	nut cover M12
6	washer M10 DIN9054
7	nut M10 DIN985
8	nut cover cap M12

UNLESS OTHERWISE SPECIFIED:  
DIMENSIONS ARE IN MILLIMETERS  
WEIGHT ARE IN KILOGRAMM

PART NUMBER / DWG NO.:

LM223

DRAWN	NAME	SIGNATURE	DATE	REVISION
APPVD	M.Rebase		12.04.2019	

DESCRIPTION:  
Play Centre THERESA

Tiptiptap OÜ  
Veetorni 9,  
Jüri alevik, Rae vald,  
75301 Harjumaa



MATERIAL:  
wood, metal, plastic

A4

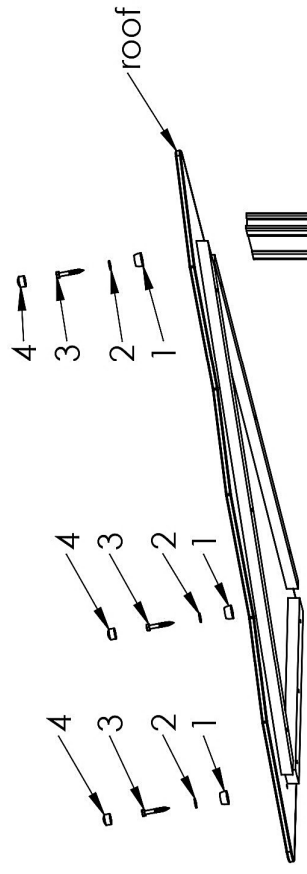
SCALE: 1:45

WEIGHT:

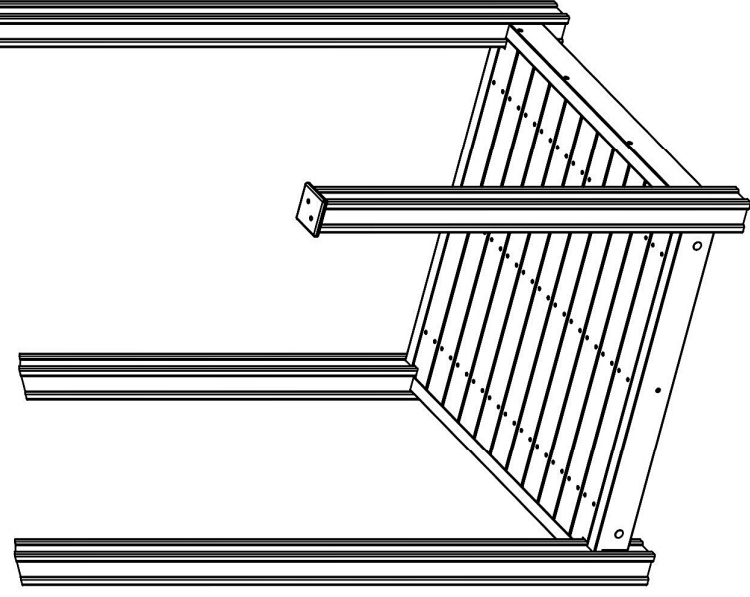
SHEET 15 OF 18

1 2 3 4

A



B



C

D

E

ITEM NO.	PART NUMBER
1	nut cover M12
2	washer M10 DIN9054
3	wood screw 10x70 DIN571
4	nut cover cap M12

UNLESS OTHERWISE SPECIFIED: DIMENSIONS ARE IN MILLIMETERS WEIGHT ARE IN KILOGRAMM		PART NUMBER / DWG NO.: <b>LM223</b>	
NAME	SIGNATURE	DATE	REVISION
DRAWN M.Rebase		12.04.2019	
APPVD			
DESCRIPTION: <b>Play Centre THERESA</b>			
MATERIAL: wood, metal, plastic		WEIGHT: SCALE: 1:20	
Tiptiptap OÜ Veetorni 9, Jüri alevik, Rae vald, 75301 Harjumaa		SHEET 16 OF 18	



**Tiptiptap OÜ**  
Veetorni 9,  
Jüri alevik, Rae vald,  
75301 Harjumaa

MATERIAL: wood, metal, plastic

A4

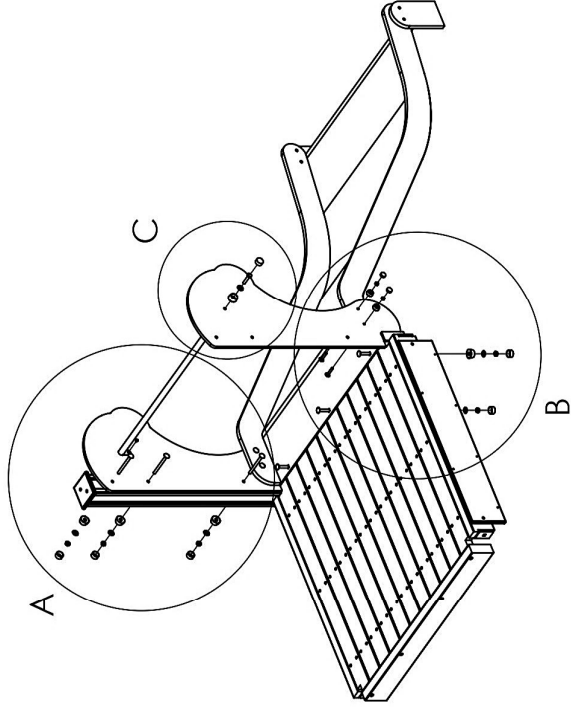
SCALE: 1:20

WEIGHT:

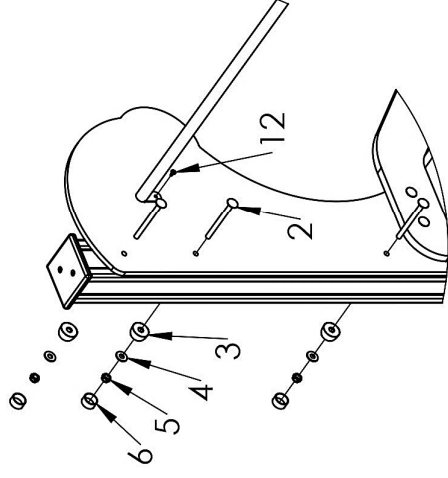
Tiptiptap OÜ  
Veetorni 9,  
Jüri alevik, Rae vald,  
75301 Harjumaa

SHEET 16 OF 18

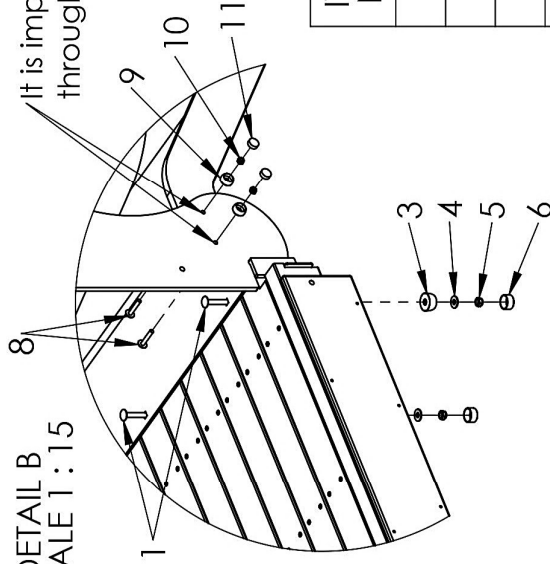




DETAIL A  
SCALE 1:15

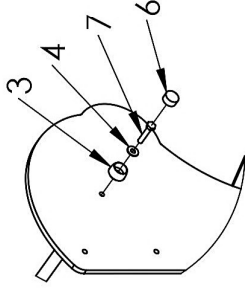


DETAIL B  
SCALE 1:15



It is important to drill 8,5mm holes through side panel and slide.

DETAIL C  
SCALE 1:15



ITEM NO.	PART NUMBER
1	bolt M10x130 DIN603
2	bolt M10x120 DIN603
3	nut cover M12
4	washer M10 DIN9054
5	nut M10 DIN985
6	nut cover cap M12
7	bolt M10x50 DIN931
8	bolt M8x45 DIN603
9	nut cover M8
10	nut M8 DIN985
11	nut cover cap M8
12	wood screw 4,8x13

UNLESS OTHERWISE SPECIFIED:  
DIMENSIONS ARE IN MILLIMETERS  
WEIGHT ARE IN KILOGRAMM

PART NUMBER / DWG NO.:

LM223

DRAWN	NAME	SIGNATURE	DATE	REVISION
APPVD	M.Rebase		12.04.2019	

DESCRIPTION:  
Play Centre THERESA

Tiptiptap OÜ  
Veetarni 9,  
Jüri alevik, Rae vald,  
75301 Harjumaa



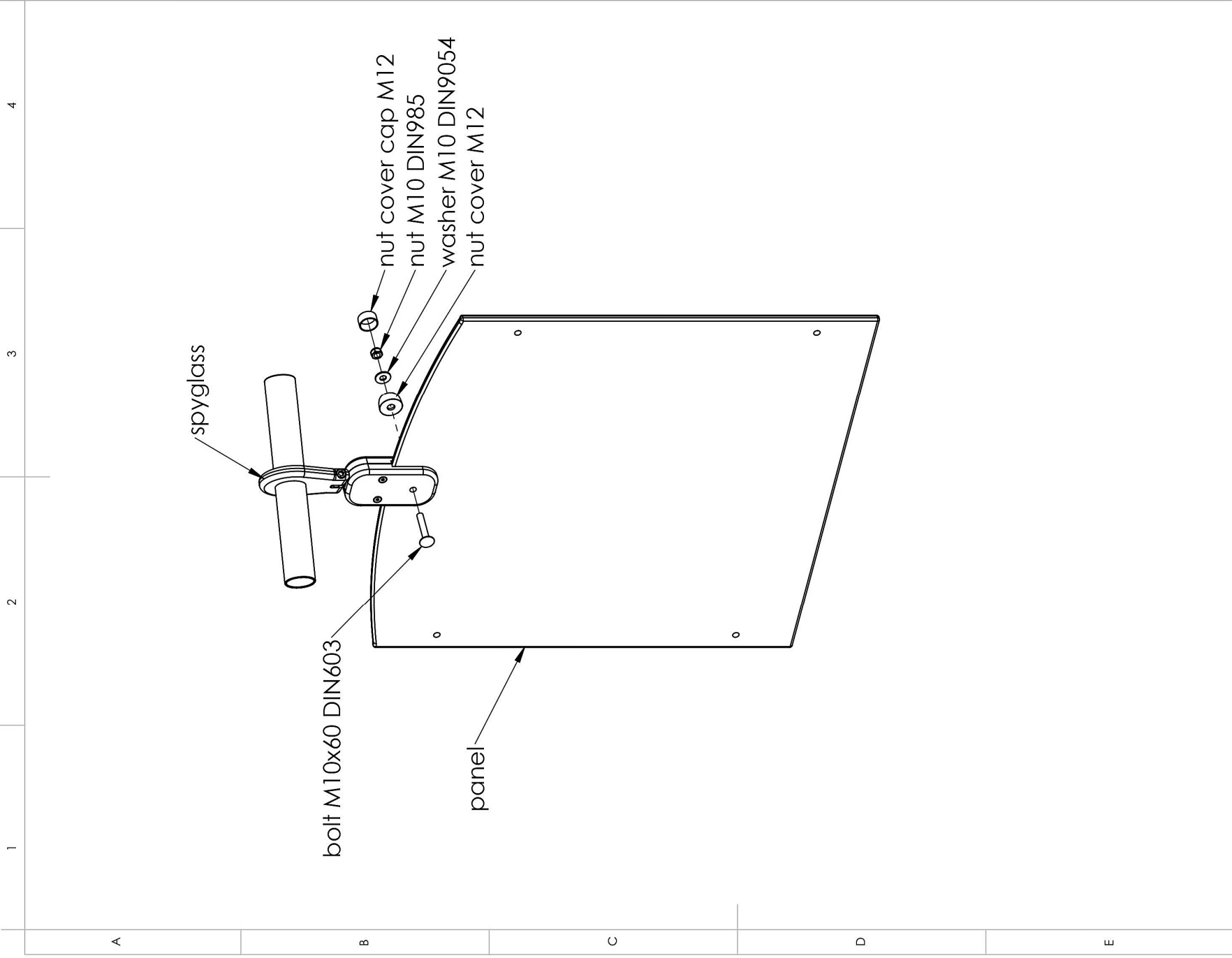
MATERIAL:  
wood, metal, plastic

A4

SCALE: 1:30

WEIGHT:

SHEET 17 OF 18



UNLESS OTHERWISE SPECIFIED: DIMENSIONS ARE IN MILLIMETERS WEIGHT ARE IN KILOGRAMM		PART NUMBER / DWG NO.: <b>LM223</b>	
DRAWN M.Rebase		DESCRIPTION: <b>Play Centre THERESA</b>	
DATE 12.04.2019		connecting spyglass to panel	
SIGNATURE		MATERIAL: wood, metal, plastic	
REVISION		WEIGHT:	
APPVD		SCALE: 1:8	
Tiptiptap OÜ Veetarni 9, Jüri alevik, Rae vald, 75301 Harjumaa		SHEET 18 OF 18	