

A

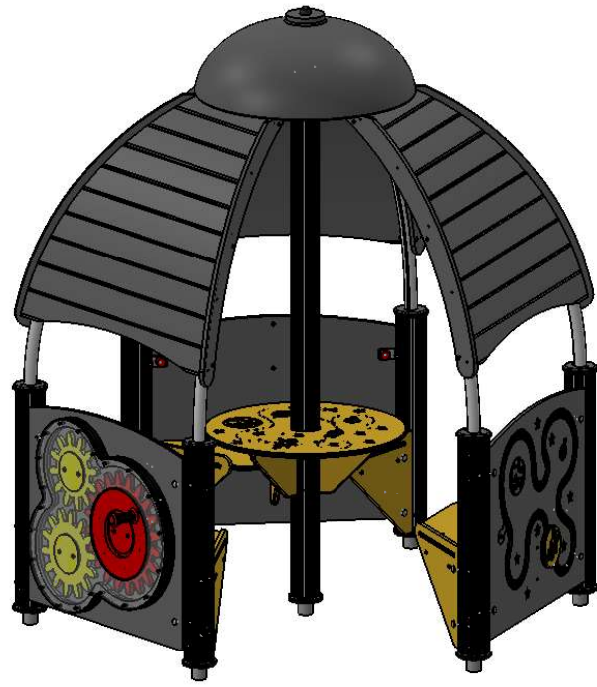
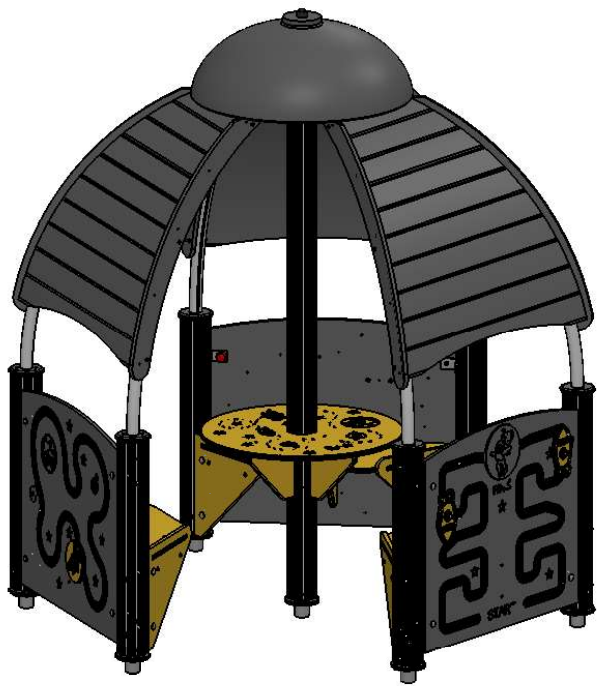
B


C

D

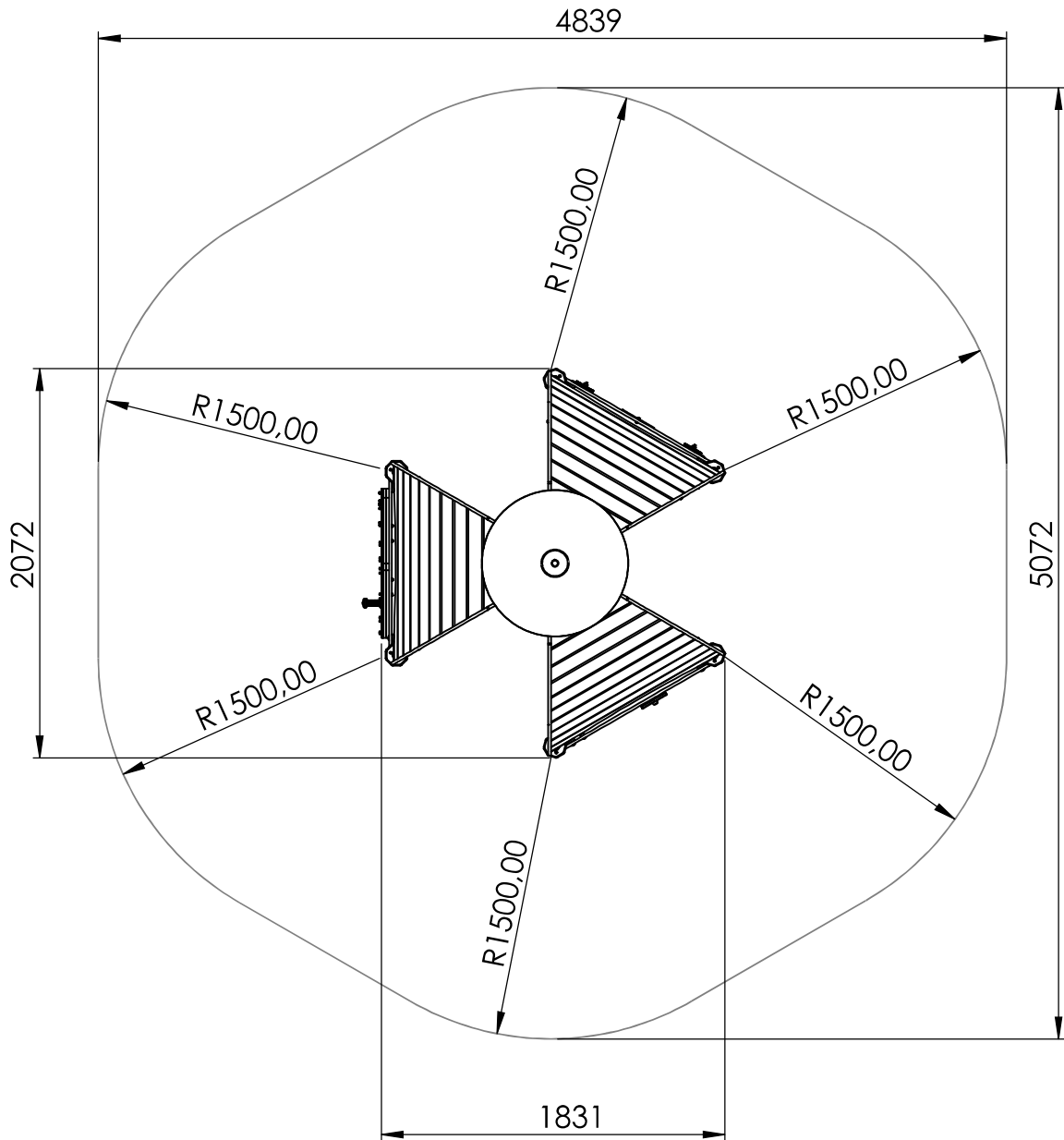
E

F



				TOOTE KOOD / DWG NO.:		MM004									
				KIRJELDUS:											
				Playhouse SPACE STATION											
				MATERJAL:		A4									
				WEIGHT:		SKAALA: 1:200									
						LEHT 1 OF 19									
<table border="1"> <tr> <td>NIMI</td> <td>ALLKIRI</td> <td>KUUPÄEV</td> <td></td> </tr> <tr> <td>Joonistas E.Reispere</td> <td></td> <td>12.02.2024</td> <td></td> </tr> </table>				NIMI	ALLKIRI	KUUPÄEV		Joonistas E.Reispere		12.02.2024		 <b>Tiptiptap</b> OÜ			
NIMI	ALLKIRI	KUUPÄEV													
Joonistas E.Reispere		12.02.2024													

# safety area



				TOOTE KOOD / DWG NO.:		MM004	
NIMI		ALLKIRI		KUUPÄEV			
Joonistaja		E.Reispere		12.02.2024			
				KIRJELDUS:			
				Playhouse SPACE STATION			
				MATERJAL:		metal, plastic	
				WEIGHT:		A4	
				SKAALA: 1:200		LEHT 2 OF 19	



**Tiptap** OÜ

# foundation

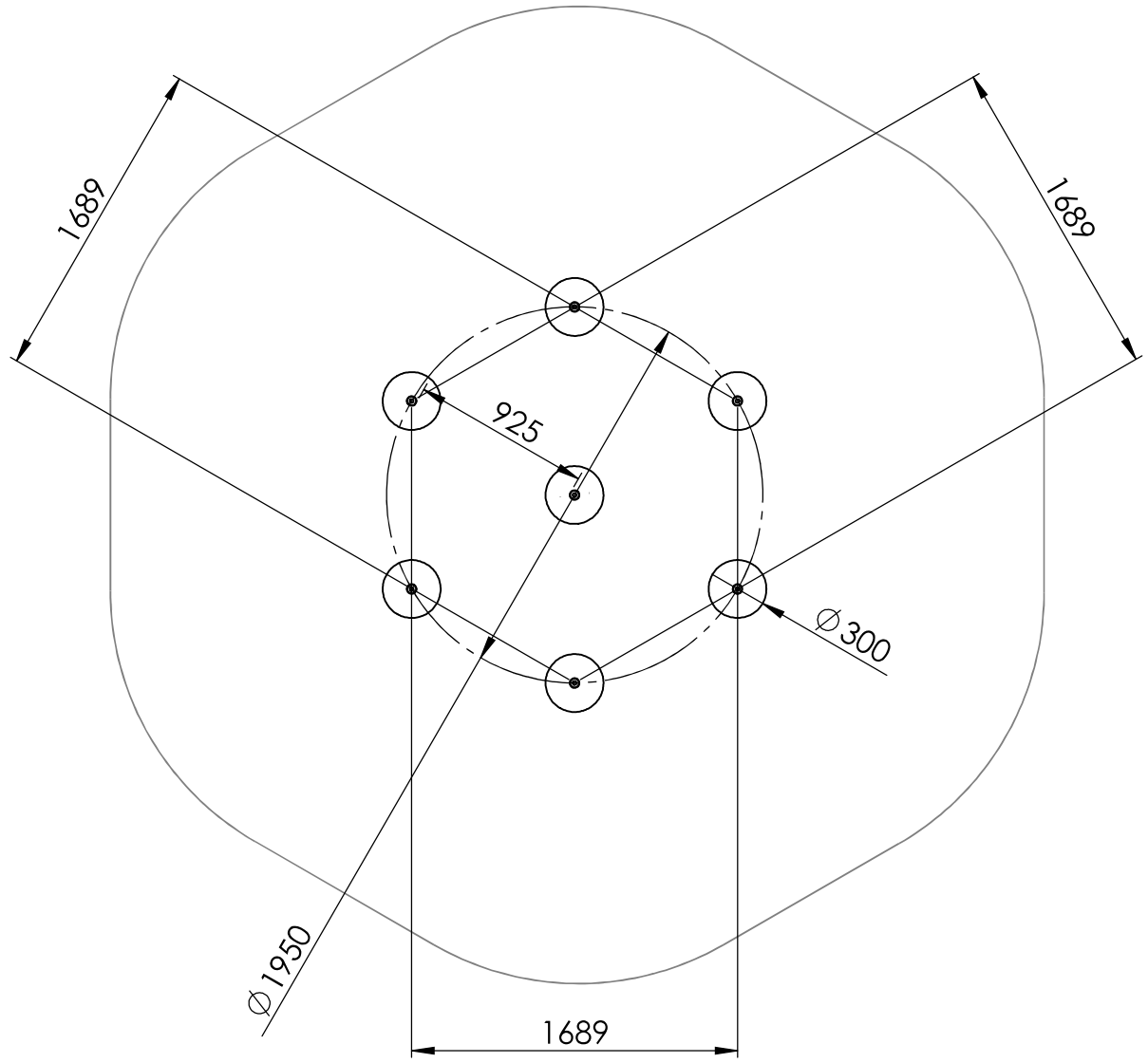
A


B

C

D

E



				TOOTE KOOD / DWG NO.: <b>MM004</b>	
	NIMI	ALLKIRI	KUUPÄEV	KIRJELDUS: <b>Playhouse SPACE STATION</b>	
Joonistaja	E.Reispere		12.02.2024		
 <b>Tiptiptap</b> OÜ				MATERJAL: metal, plastic	
				A4	
				WEIGHT:	SKAALA: 1:200
				LEHT 3 OF 19	

F

# post locations

A

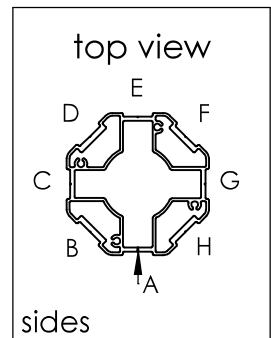
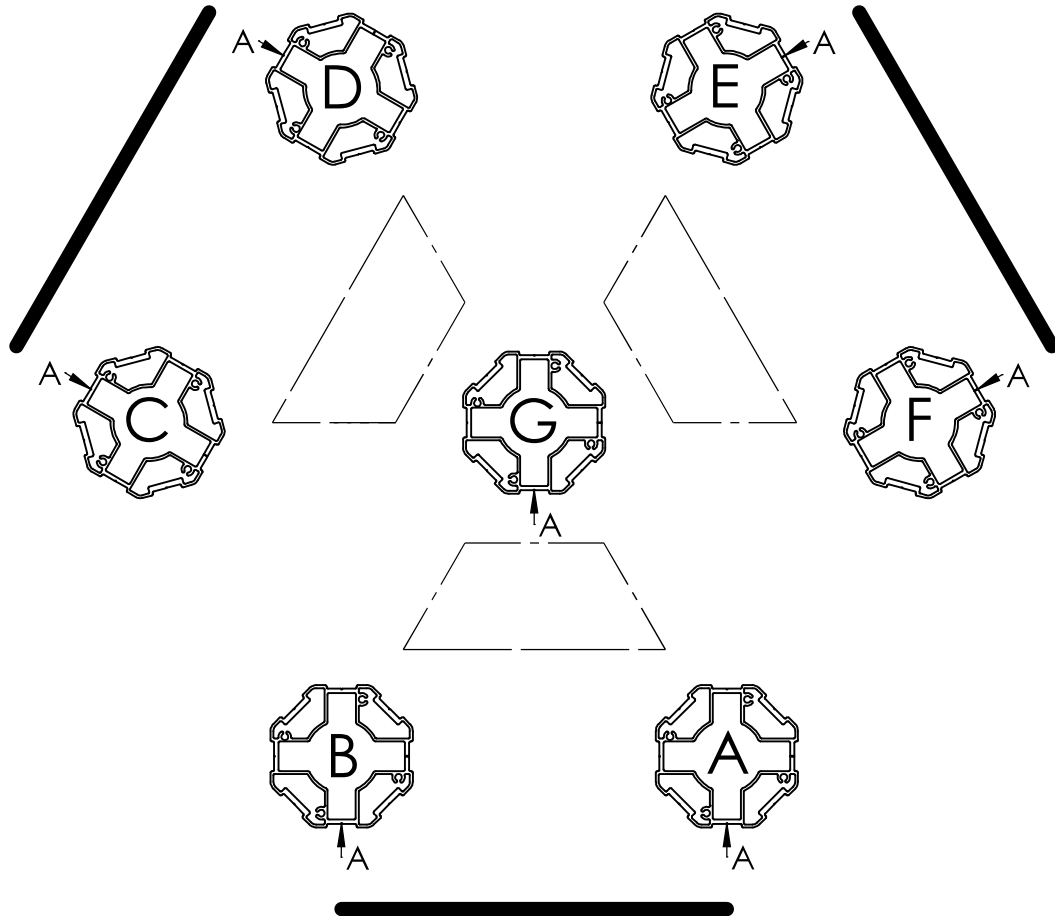
B

C

D

E

post A=C=E  
post B=D=F



UNLESS OTHERWISE SPECIFIED:  
DIMENSIONS ARE IN MILLIMETERS  
WEIGHT ARE IN KILOGRAMM

PART NUMBER / DWG NO.:

MM004

	NAME	SIGNATURE	DATE	REVISION
DRAWN	E.Reispere		12.02.2024	
APP'VD				

DESCRIPTION:

Playhouse SPACE STATION

F



Tiptiptap<sup>oü</sup>

MATERIAL:

metal, plastic

A4

WEIGHT:

SCALE: 1:20

SHEET 4 OF 19

# dimensions

A

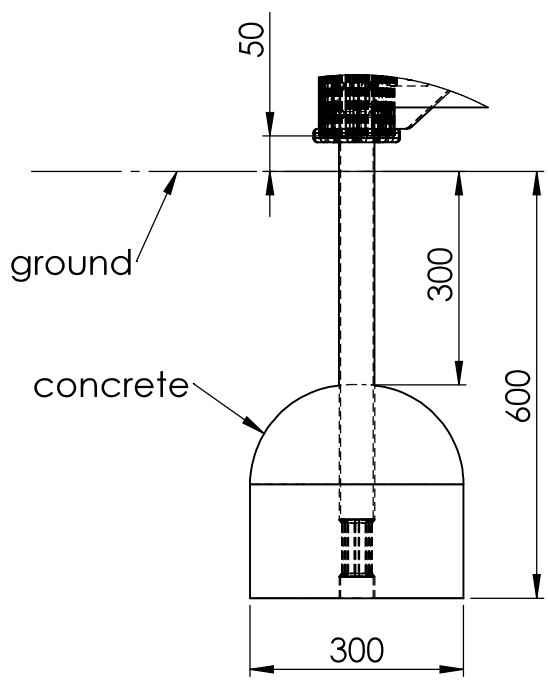
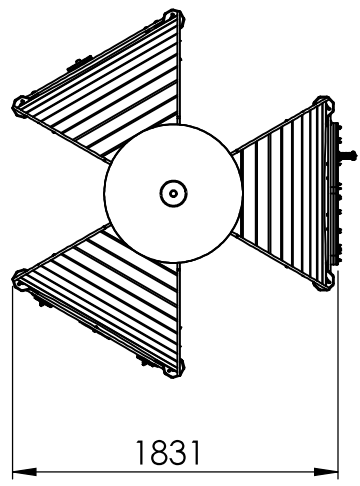
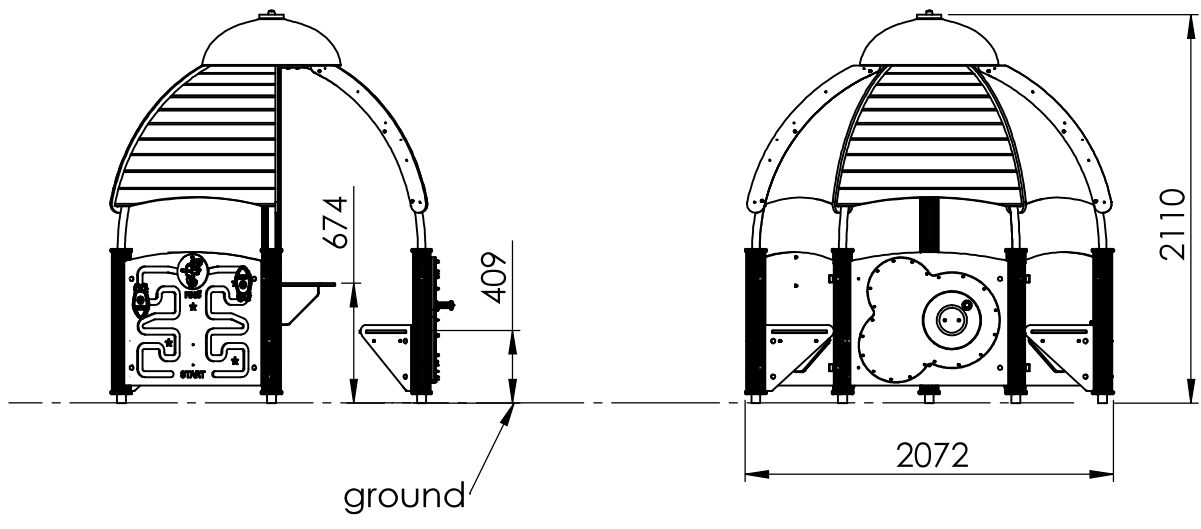
B


C

D

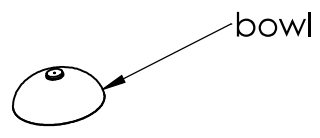
E

F

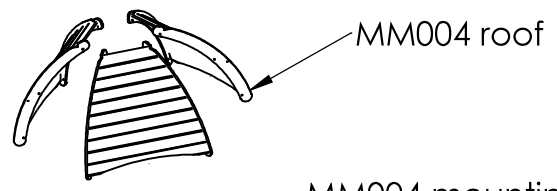


				TOOTE KOOD / DWG NO.: <b>MM004</b>	
	NIMI	ALLKIRI	KUUPÄEV	KIRJELDUS: <b>Playhouse SPACE STATION</b>	
Joonistaja	E.Reispere		12.02.2024		
 <b>Tiptiptap</b> OÜ				MATERJAL:	metal, plastic
				WEIGHT:	A4
				SKAALA: 1:200	LEHT 5 OF 19

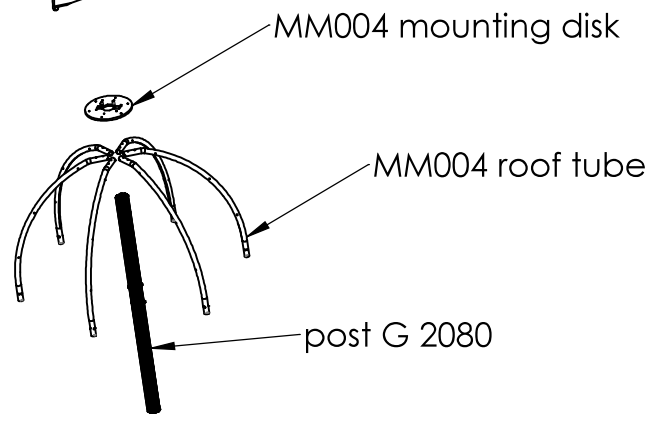
A



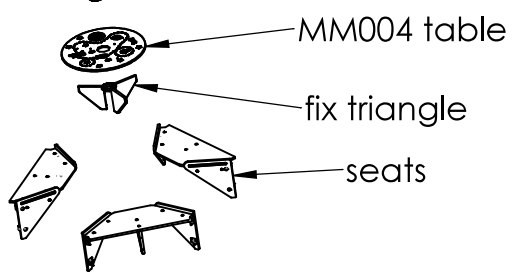
B



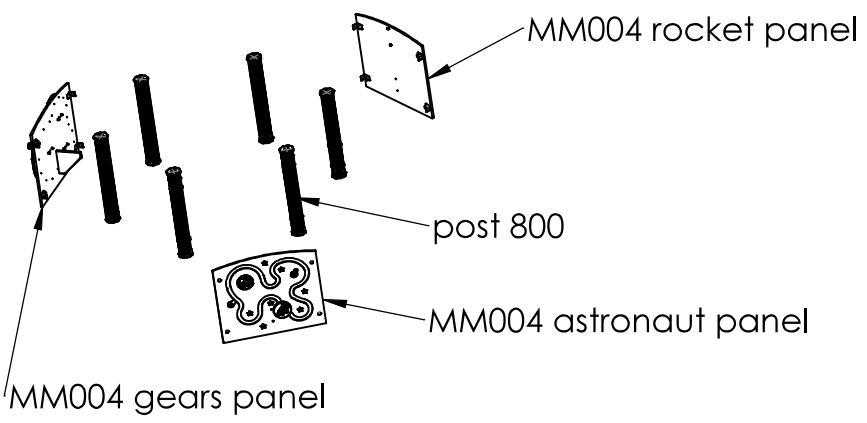
C




D



E

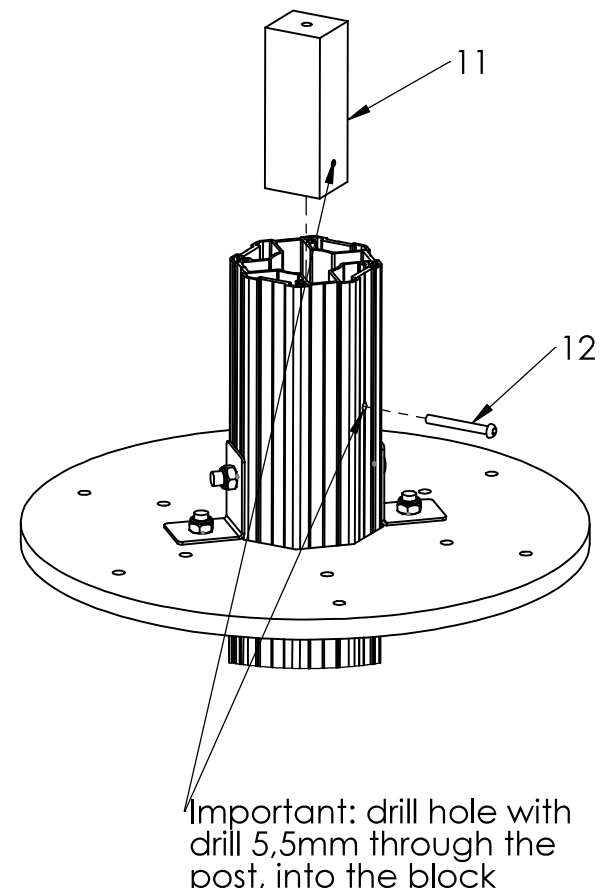
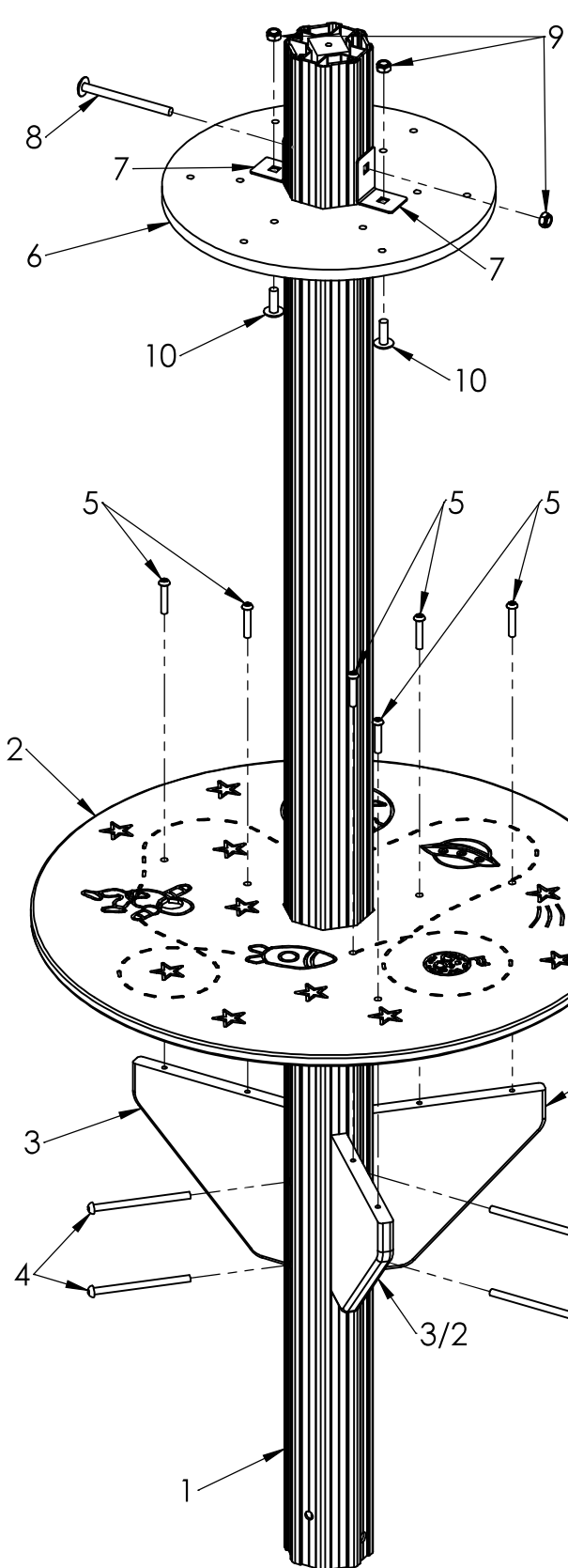


F

				TOOTE KOOD / DWG NO.: <b>MM004</b>	
	NIMI	ALLKIRI	KUUPÄEV	KIRJELDUS: <b>Playhouse SPACE STATION</b>	
Joonistaja	E.Reispere		12.02.2024		
 <b>Tiptaptap</b> OÜ				MATERJAL:	metal, plastic
				WEIGHT:	
				SKAALA: 1:200	A4
					LEHT 6 OF 19

F

A  
B  
C  
D  
E  
F



Important: drill hole with drill 5,5mm through the post, into the block

ITEM NO.	DESCRIPTION
1	MM004 post G
2	MM004 table
3	fixing triangle
4	bolt M8x120 DIN7380
5	bolt M8x40 Art.9121
6	MM004 mounting disk
7	corner 48x60
8	bolt M10x120 DIN603
9	nut M10 DIN985
10	bolt M10x30 DIN603
11	support block 40x44x120
12	bolt 6x50 DIN7380

UNLESS OTHERWISE SPECIFIED:  
DIMENSIONS ARE IN MILLIMETERS  
WEIGHT ARE IN KILOGRAMM

PART NUMBER / DWG NO.:  
**MM004**

	NAME	SIGNATURE	DATE	REVISION
DRAWN	E.Reispere		12.02.2024	
APPV'D				

DESCRIPTION:  
**Playhouse SPACE STATION**



MATERIAL:	metal, plastic	A4
WEIGHT:		SCALE: 1:200 SHEET 7 OF 19

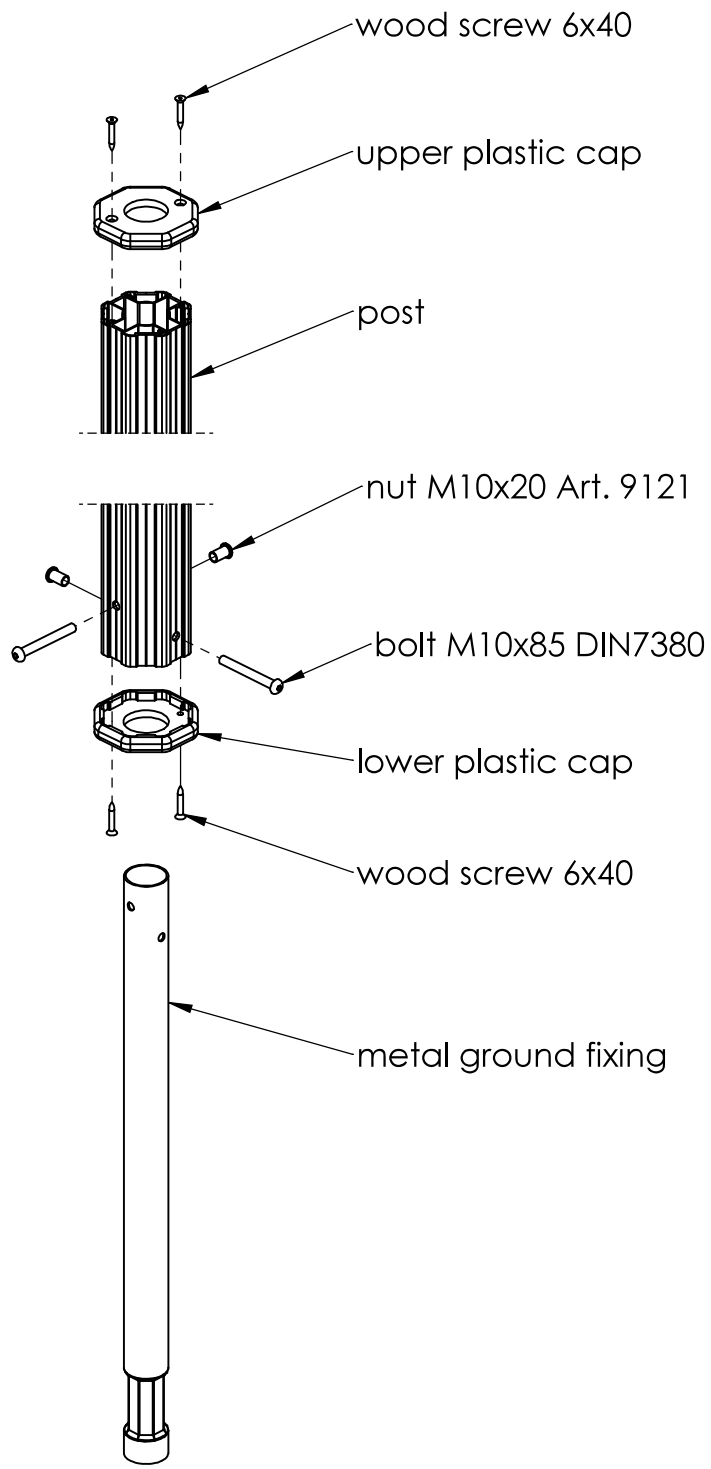
A

B

C

D

E



UNLESS OTHERWISE SPECIFIED:  
 DIMENSIONS ARE IN MILLIMETERS  
 WEIGHT ARE IN KILOGRAMM

PART NUMBER / DWG NO.:  
**MM004**

	NAME	SIGNATURE	DATE	REVISION
DRAWN	E.Reispere		12.02.2024	
APPV'D				

DESCRIPTION:  
**Playhouse SPACE STATION**

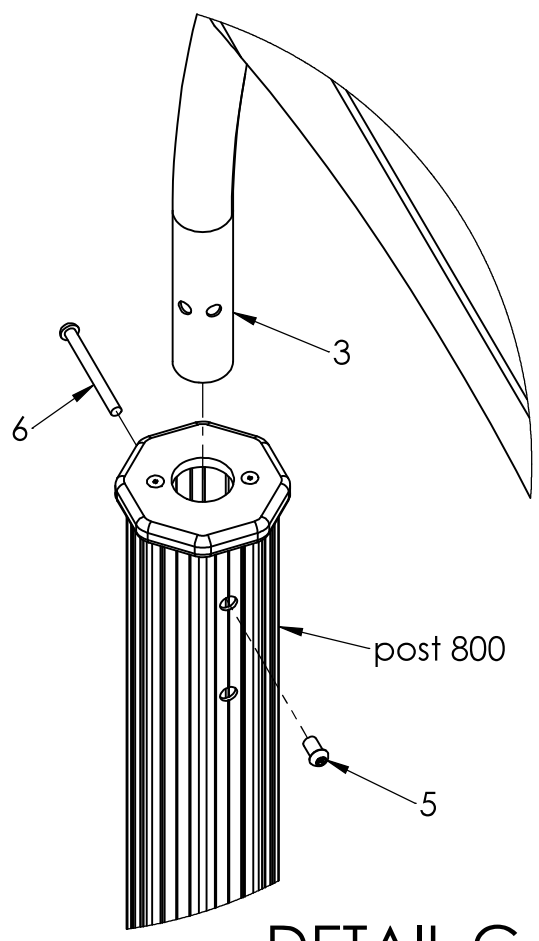
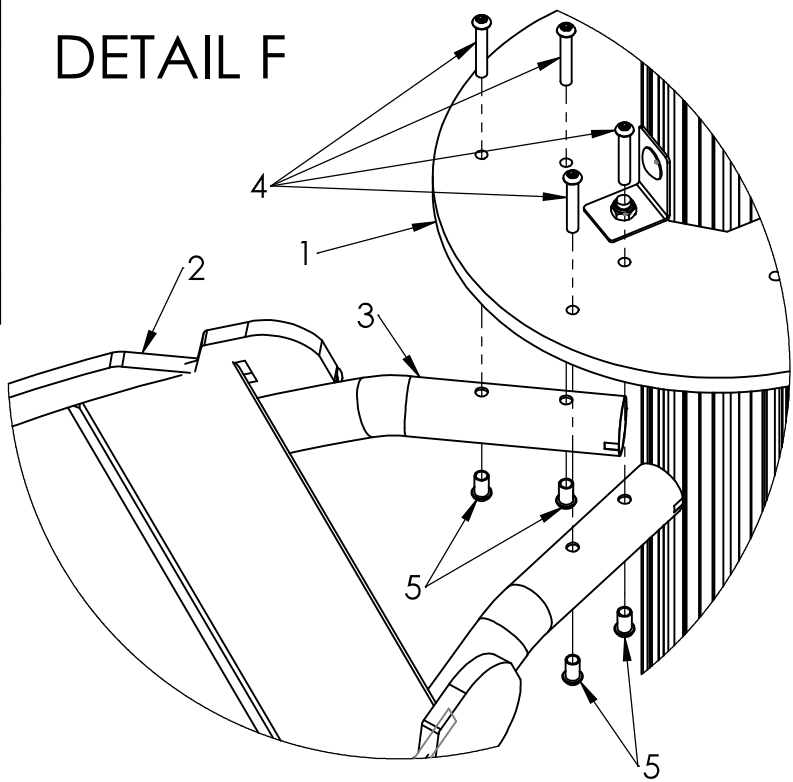


MATERIAL:	metal, plastic	A4
WEIGHT:	SCALE: 1:200	SHEET 8 OF 19

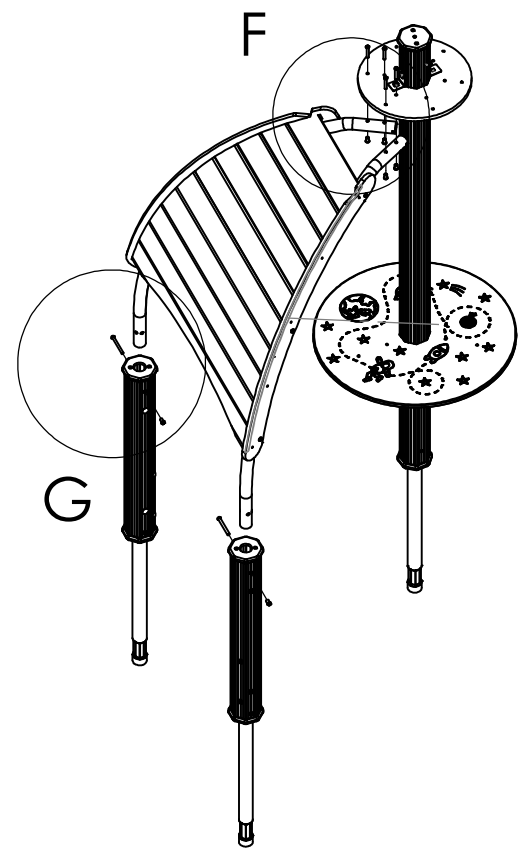


ITEM NO.	DESCRIPTION
1	MM004 mounting disk
2	roof arch
3	MM004 tube arch
4	bolt M8x50 Art.9121
5	nut M8x16 Art.9121
6	bolt M10x85 DIN7380

# DETAIL F



# DETAIL G



A  
B  
C  
D  
E  
F

UNLESS OTHERWISE SPECIFIED: DIMENSIONS ARE IN MILLIMETERS WEIGHT ARE IN KILOGRAMM				
	NAME	SIGNATURE	DATE	REVISION
DRAWN	E.Reispere		12.02.2024	
APP'VD				

PART NUMBER / DWG NO.:		MM004	
DESCRIPTION:			
Playhouse SPACE STATION			
MATERIAL:		metal, plastic	A4
WEIGHT:		SCALE: 1:200	SHEET 9 OF 19



# fixing the corner to the post

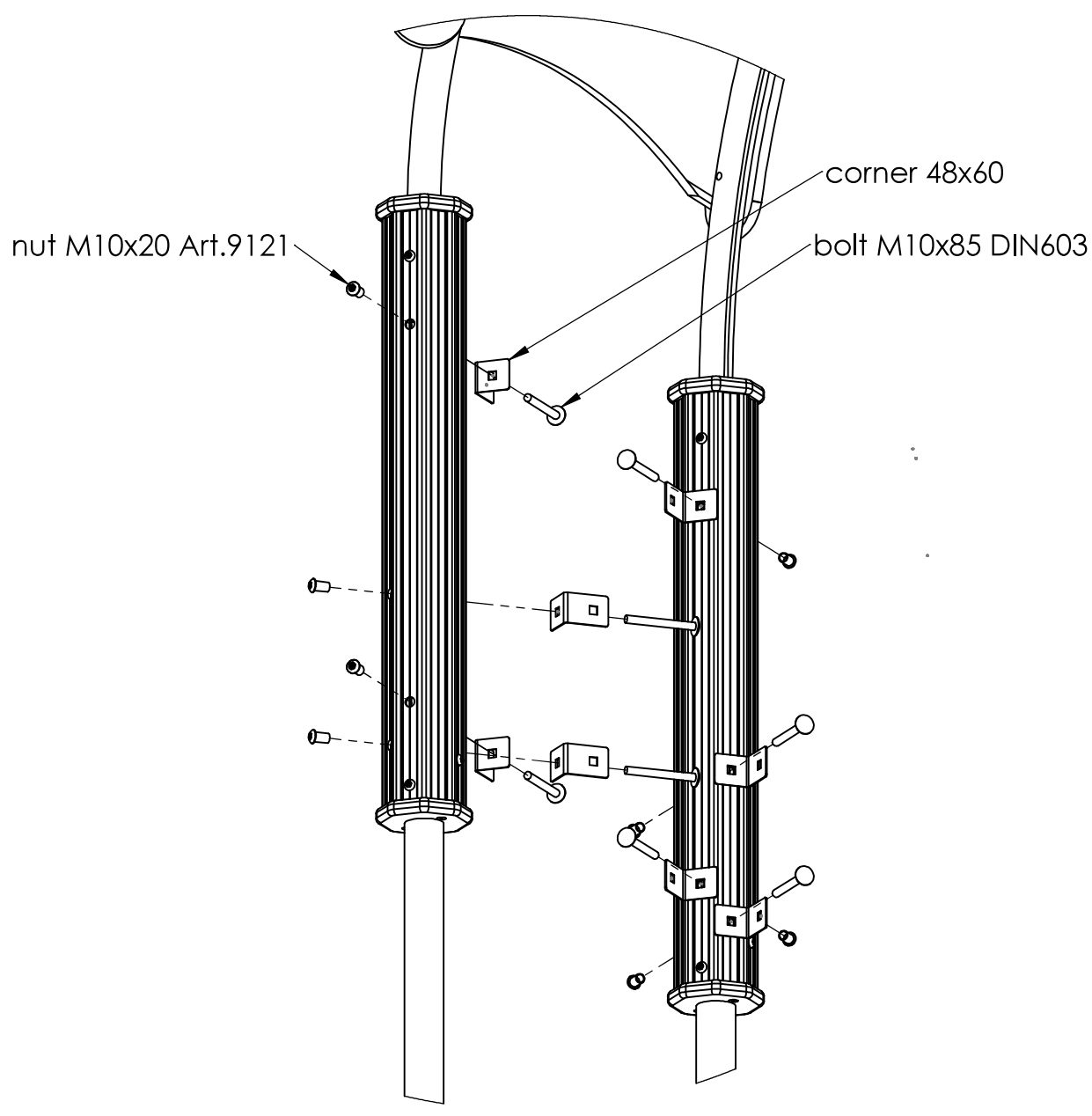
A

B

C

D

E



	NIMI	ALLKIRI	KUUPÄEV	
Joonistaja	E.Reispere		12.02.2024	

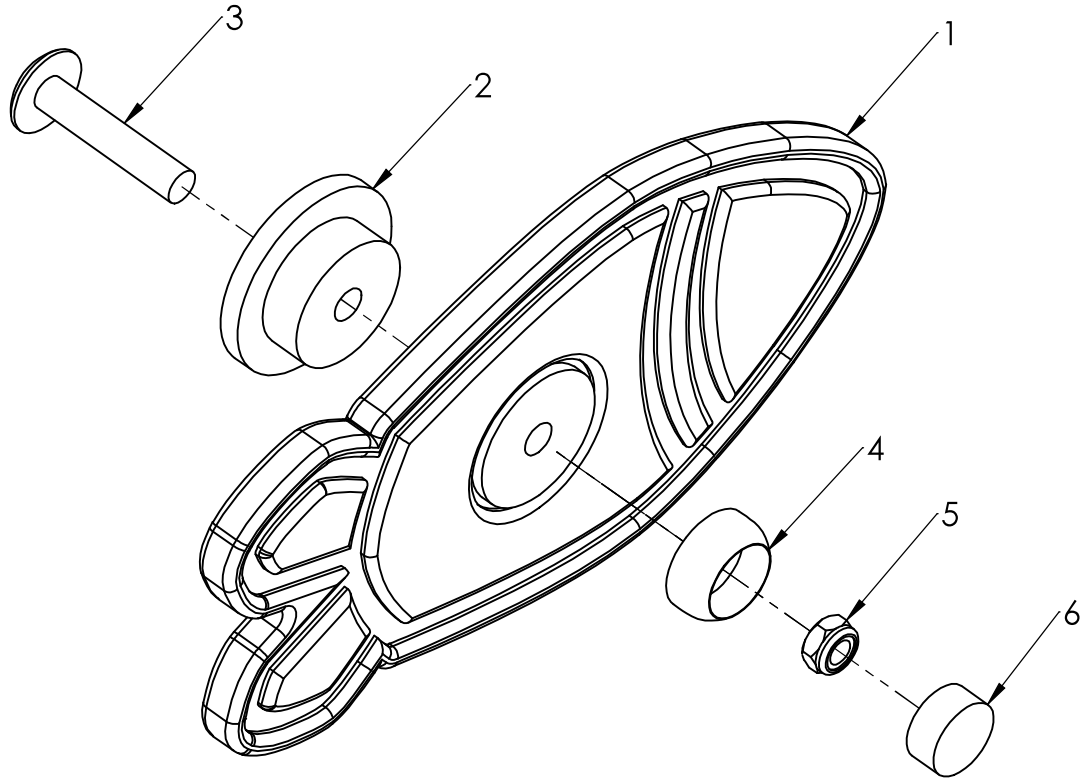
TOOTE KOOD / DWG NO.:  
**MM004**

KIRJELDUS:  
**Playhouse SPACE STATION**




MATERJAL:	metal, plastic	A4
WEIGHT:	SKAALA: 1:200	LEHT 10 OF 19

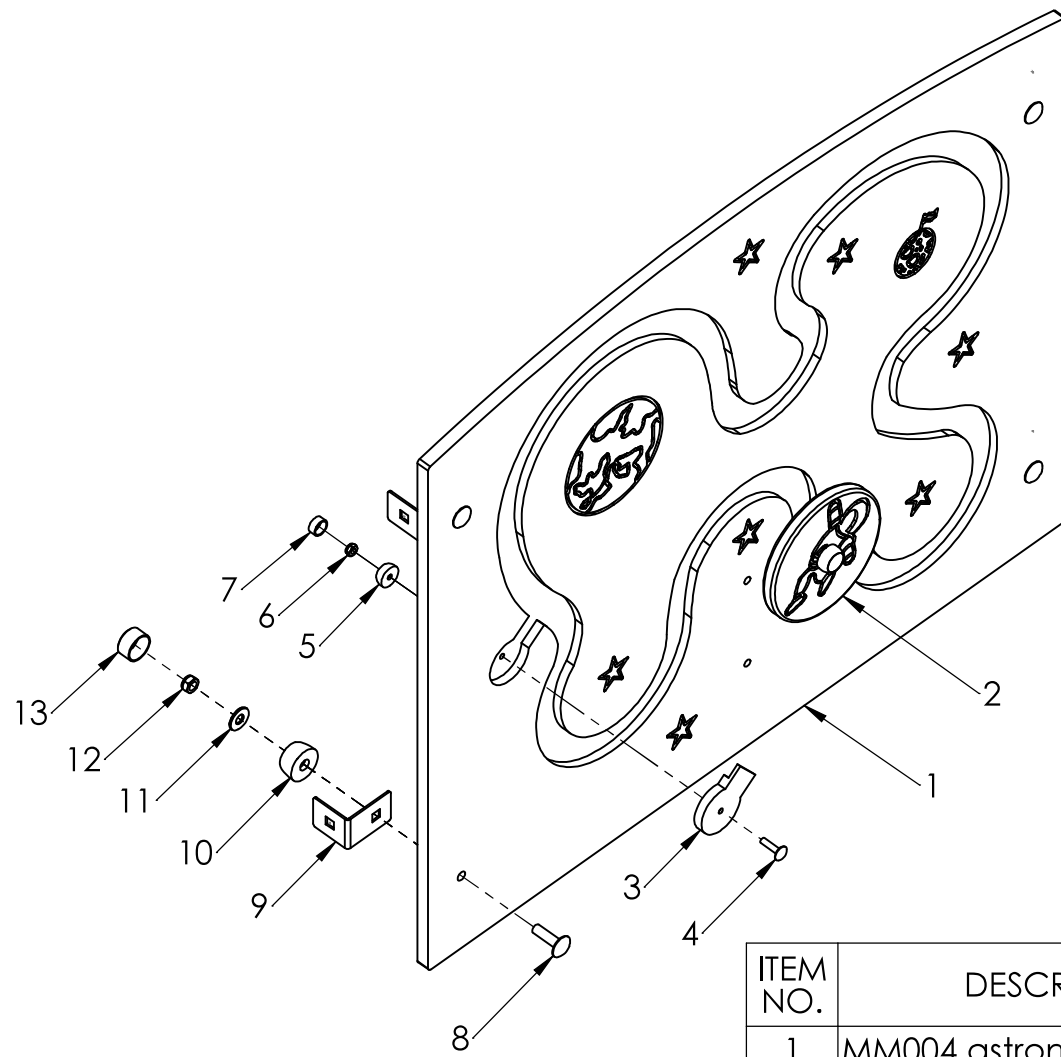
# moving figure



ITEM NO.	DESCRIPTION
1	MM004 rocket
2	control bushing
3	bolt M8x40 DIN603
4	nut cover M6
5	nut M6 DIN985
6	nut cover cap M6

				TOOTE KOOD / DWG NO.:		MM004	
				KIRJELDUS:			
				Playhouse SPACE STATION			
				MATERJAL:		metal, plastic	
				WEIGHT:		A4	
				SKAALA: 1:200		LEHT 11 OF 19	
 <b>Tiptiptap</b> OÜ							
<small>NIMI</small> ALLKIRI KUUPÄEV <small>Joonistas</small> E.Reispere 12.02.2024							

A  
B  
C  
D  
E  
F



ITEM NO.	DESCRIPTION
1	MM004 astronaut panel
2	MM004 astronaut panel disk
3	fix cap
4	bolt M6x25 DIN603
5	nut cover M6
6	nut M6 DIN985
7	nut cover cap M6
8	bolt M10x35 DIN603
9	corner 48x60
10	nut cover M12
11	washer M10 DIN9054
12	nut M10 DIN985
13	nut cover cap M12

	NIMI	ALLKIRI	KUUPÄEV
Joonistaja	E.Reispere		12.02.2024

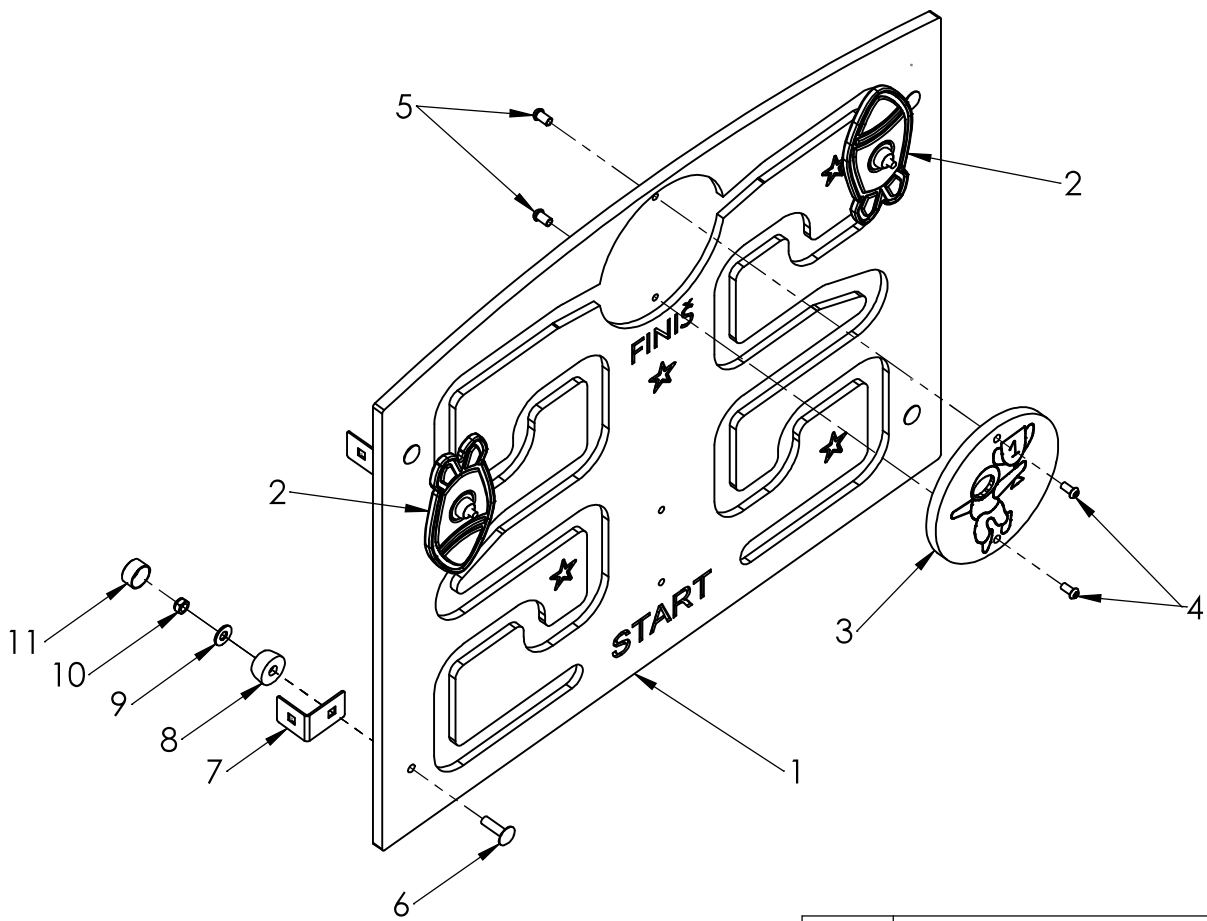
TOOTE KOOD / DWG NO.:  
**MM004**

KIRJELDUS:  
**Playhouse SPACE STATION**



MATERJAL:	metal, plastic	A4
WEIGHT:		SKAALA: 1:200 LEHT 12 OF 19

A  
B  
C  
D  
E  
F



ITEM NO.	DESCRIPTION
1	MM004 rocket panel
2	MM004 rocket
3	rocket panel fix disk
4	bolt M8x16 Art.9121
5	nut M8x16 Art.9121
6	bolt M10x35 DIN603
7	corner 48x60
8	nut cover M12
9	washer M10 DIN9054
10	nut M10 DIN985
11	nut cover cap M12

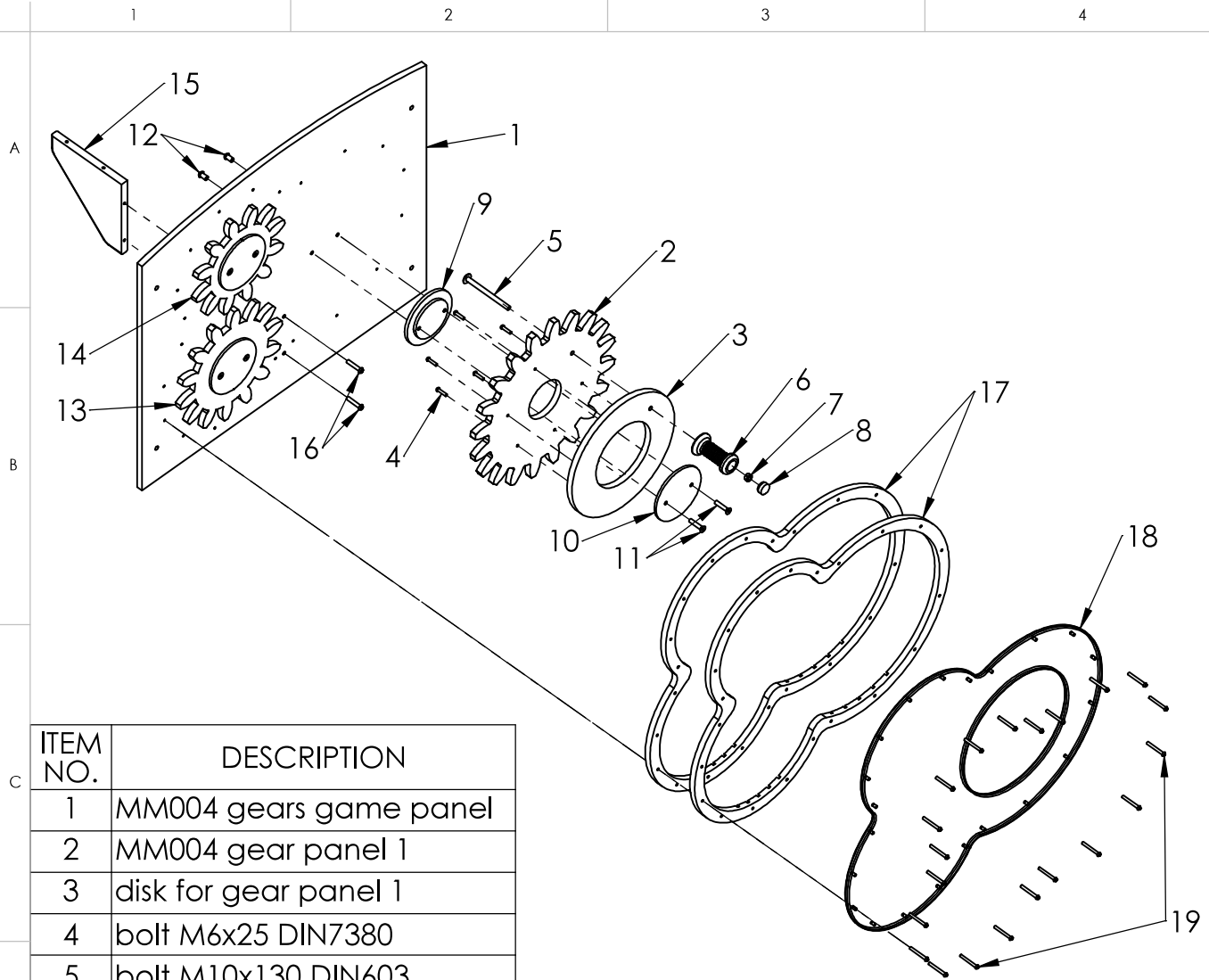
	NIMI	ALLKIRI	KUUPÄEV
Joonistaja	E.Reispere		12.02.2024

TOOTE KOOD / DWG NO.:  
**MM004**


KIRJELDUS:  
**Playhouse SPACE STATION**



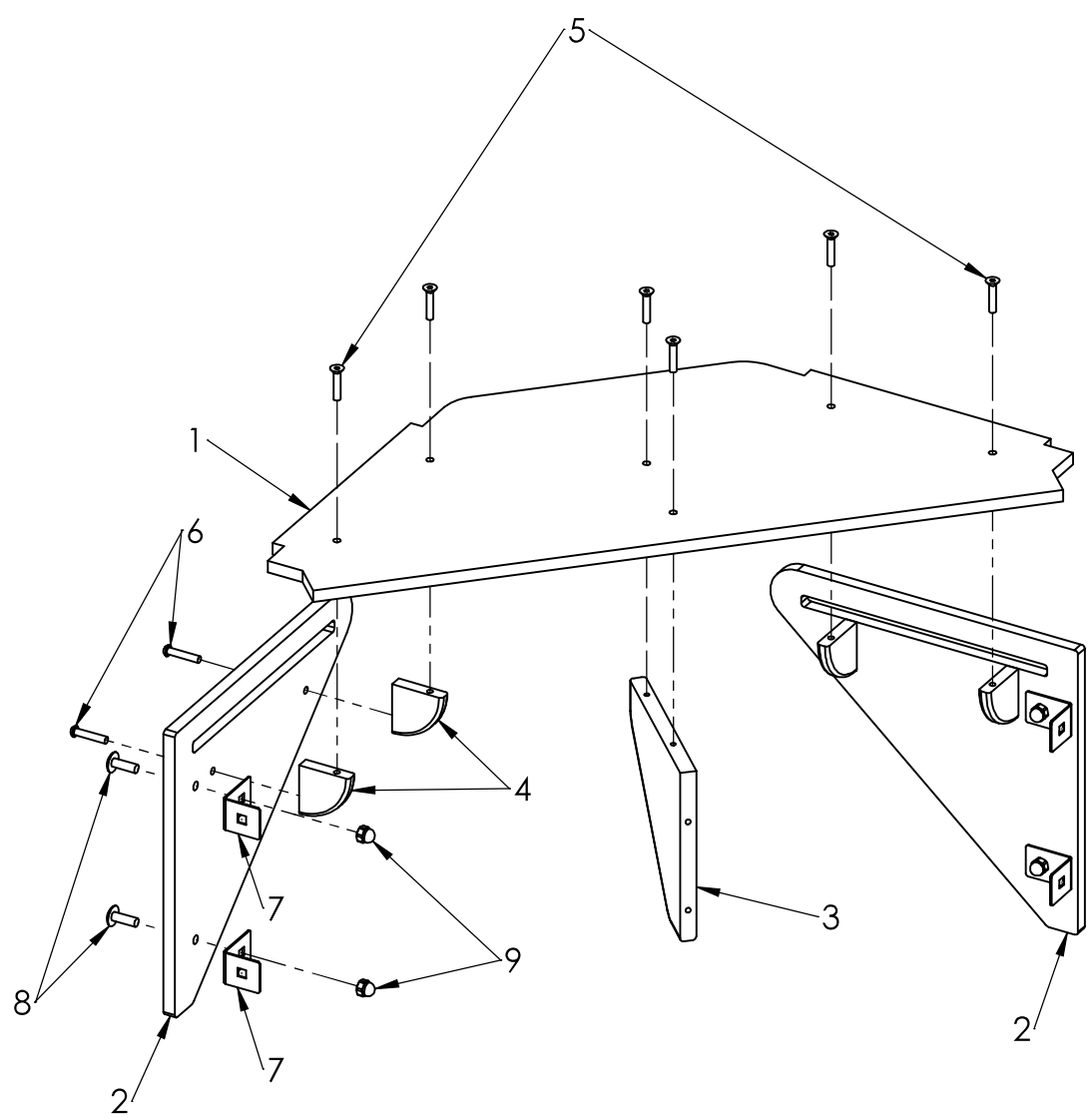
MATERJAL:	metal, plastic	A4
WEIGHT:	SKAALA: 1:200	LEHT 13 OF 19



ITEM NO.	DESCRIPTION
1	MM004 gears game panel
2	MM004 gear panel 1
3	disk for gear panel 1
4	bolt M6x25 DIN7380
5	bolt M10x130 DIN603
6	handle
7	nut M10 DIN985
8	handle cover cup
9	MM004 bushing rear
10	MM004 bushing front
11	bolt M8x40 DIN7991
12	nut M8x16 Art.9121
13	MM004 gear panel 2
14	MM004 gear panel 3
15	fixing triangle
16	bolt M8x40 Art.9121
17	MM004 gears cover frame
18	MM004 gears glass panel
19	bolt M6x50 DIN7380

UNLESS OTHERWISE SPECIFIED: DIMENSIONS ARE IN MILLIMETERS WEIGHT ARE IN KILOGRAMM				PART NUMBER / DWG NO.: <b>MM004</b>													
<table border="1"> <thead> <tr> <th>NAME</th> <th>SIGNATURE</th> <th>DATE</th> <th>REVISION</th> </tr> </thead> <tbody> <tr> <td>DRAWN E.Reispere</td> <td></td> <td>12.02.2024</td> <td></td> </tr> <tr> <td>APPV'D</td> <td></td> <td></td> <td></td> </tr> </tbody> </table>				NAME	SIGNATURE	DATE	REVISION	DRAWN E.Reispere		12.02.2024		APPV'D				DESCRIPTION: <b>Playhouse SPACE STATION</b>	
NAME	SIGNATURE	DATE	REVISION														
DRAWN E.Reispere		12.02.2024															
APPV'D																	
 <b>Tiptap</b>				MATERIAL: metal, plastic													
				A4													
				WEIGHT:													
				SCALE: 1:200													
				SHEET 14 OF 19													

A  
B  
C  
D  
E  
F



ITEM NO.	DESCRIPTION
1	MM004 seat panel
2	MM004 seat support panel
3	fixing triangle
4	corner 90
5	bolt M8x40 DIN7991
6	bolt M8x40 Art.9121
7	corner 48x60
8	bolt M10x30 DIN603
9	nut domed cap M10 DIN986

	NIMI	ALLKIRI	KUUPÄEV
Joonistaja	E.Reispere		12.02.2024

TOOTE KOOD / DWG NO.: MM004

KIRJELDUS: Playhouse SPACE STATION



MATERJAL:	metal, plastic	A4
WEIGHT:	SKAALA: 1:200	LEHT 15 OF 19

A

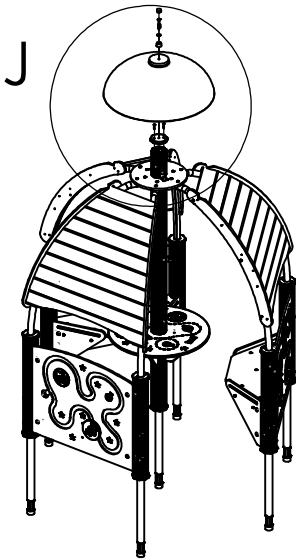
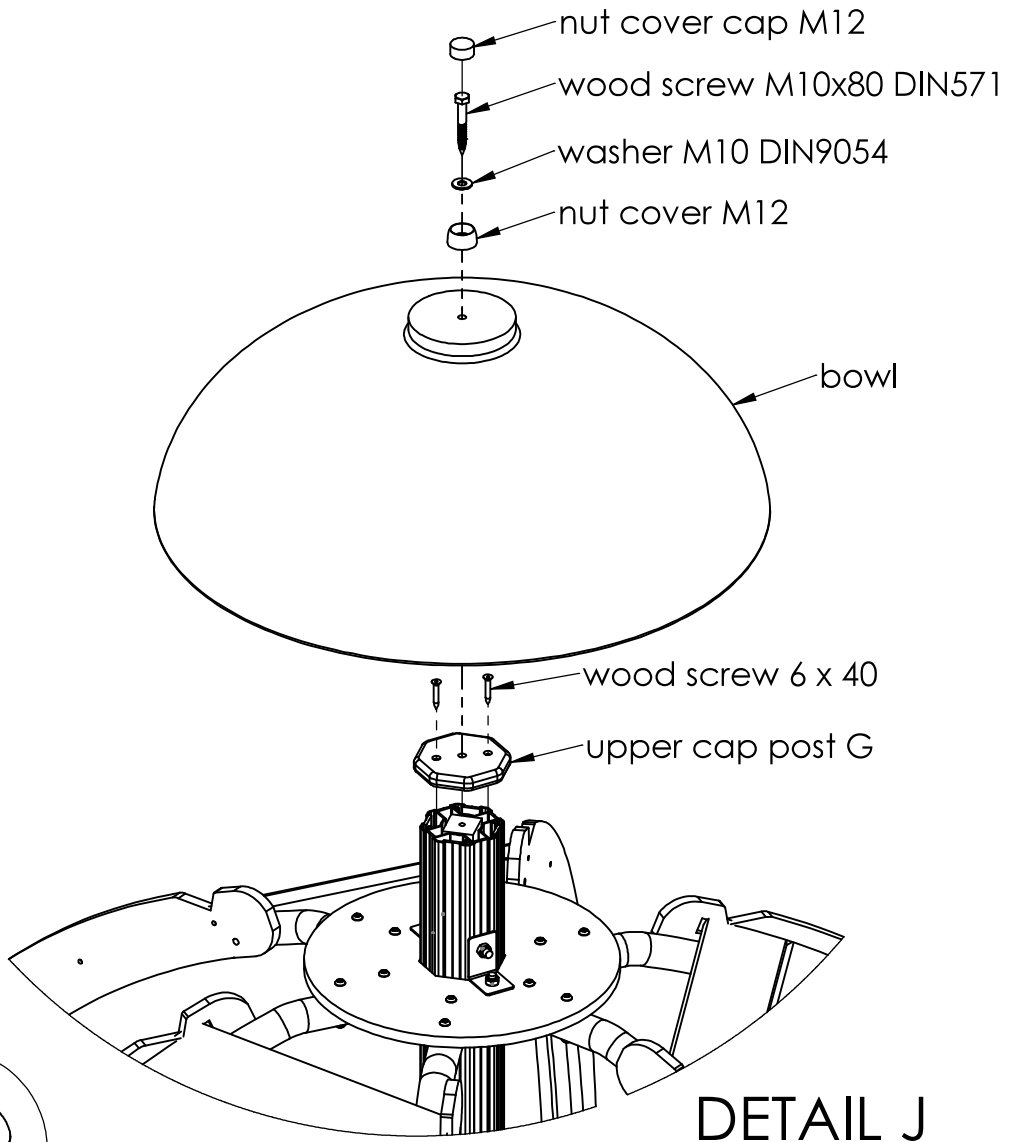
B

C

D

E

F



DETAIL J

				TOOTE KOOD / DWG NO.:		MM004	
	NIMI	ALLKIRI	KUUPÄEV				
Joonistaja	E.Reispere		12.02.2024	KIRJELDUS:			
				Playhouse SPACE STATION			
				MATERJAL:		A4	
				WEIGHT:		SKAALA: 1:200	
						LEHT 16 OF 19	



**Tiptiptap** OÜ