

A

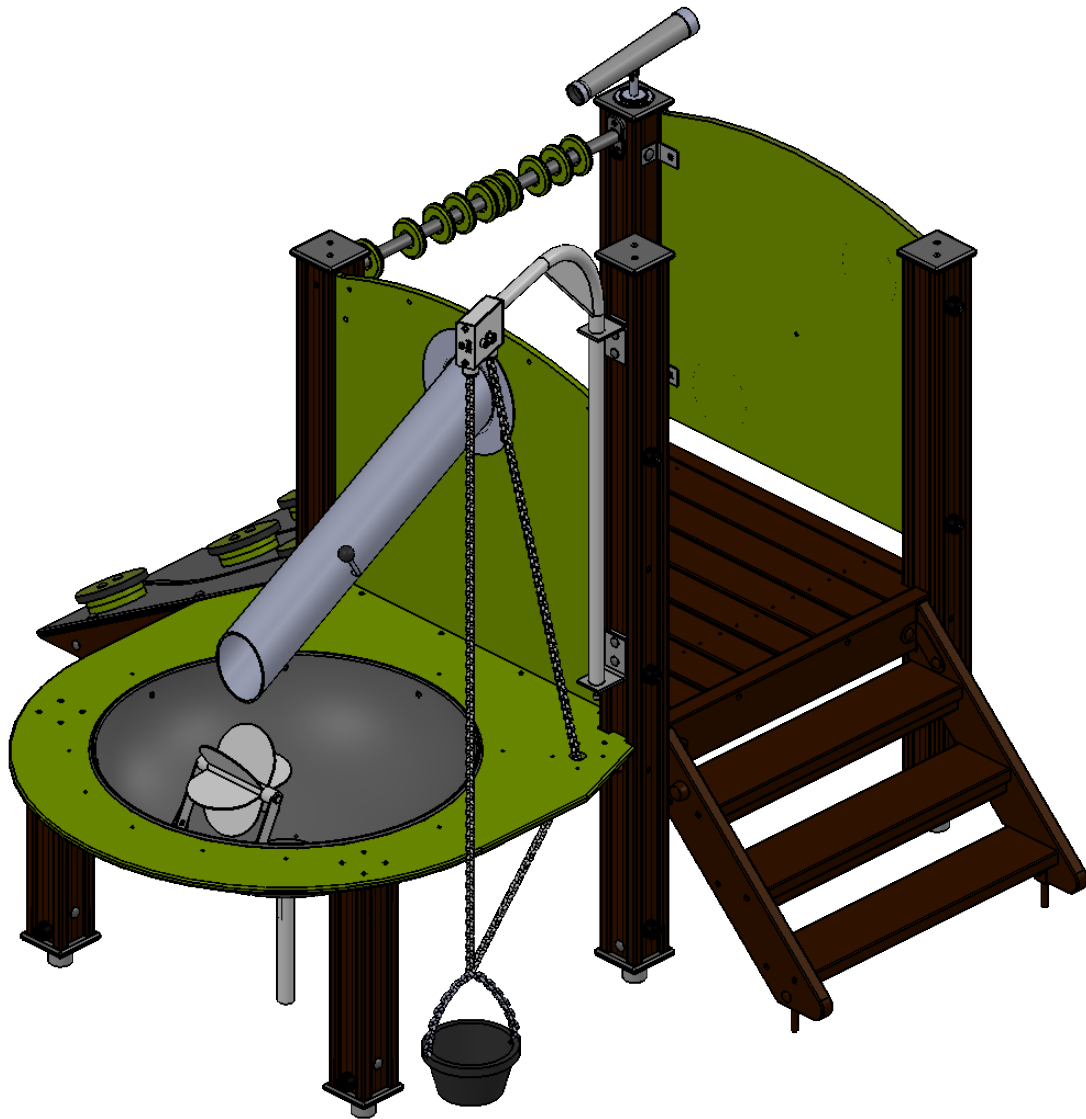
B

C

D

E

F



UNLESS OTHERWISE SPECIFIED:
 DIMENSIONS ARE IN MILLIMETERS
 WEIGHT ARE IN KILOGRAMM

PART NUMBER / DWG NO.:

LMK100

	NAME	SIGNATURE	DATE	REVISION
DRAWN	E.Reispere		25.09.2024	
APPVD				

DESCRIPTION:

Sand play complex with platform



Tiptiptap^{OU}

MATERIAL:

wood, metal, plastic

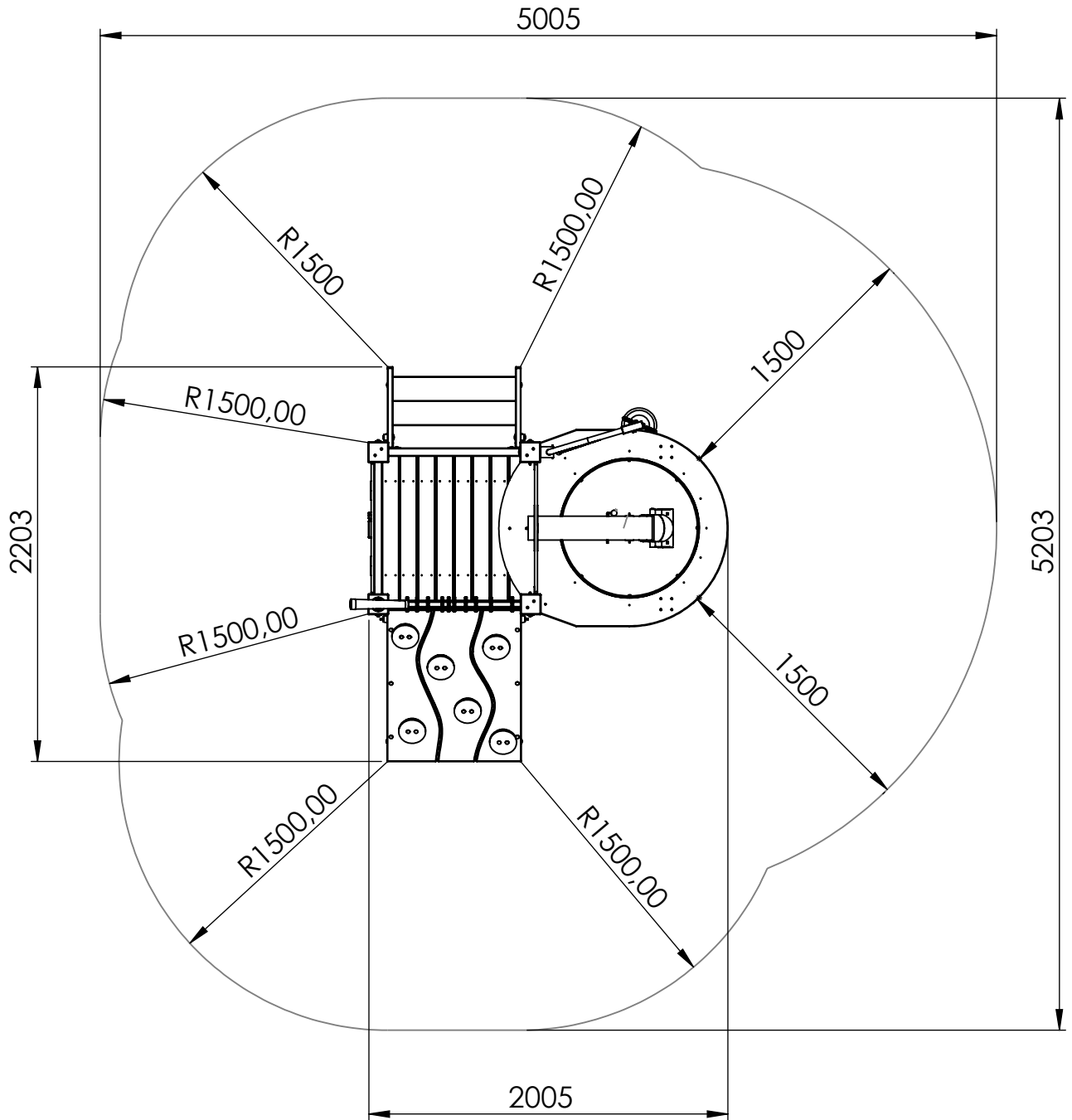
A4

WEIGHT:

SCALE: 1:8

SHEET 1 OF 40

safety area



UNLESS OTHERWISE SPECIFIED:
DIMENSIONS ARE IN MILLIMETERS
WEIGHT ARE IN KILOGRAMM

PART NUMBER / DWG NO.:

LMK100

	NAME	SIGNATURE	DATE	REVISION
DRAWN	E.Reispere		25.09.2024	
APPV'D				

DESCRIPTION:

Sand play complex with platform

MATERIAL:

wood, metal, plastic

A4

WEIGHT:

SCALE: 1:8

SHEET 2 OF 40



Tiptiptap⁰⁰

foundation

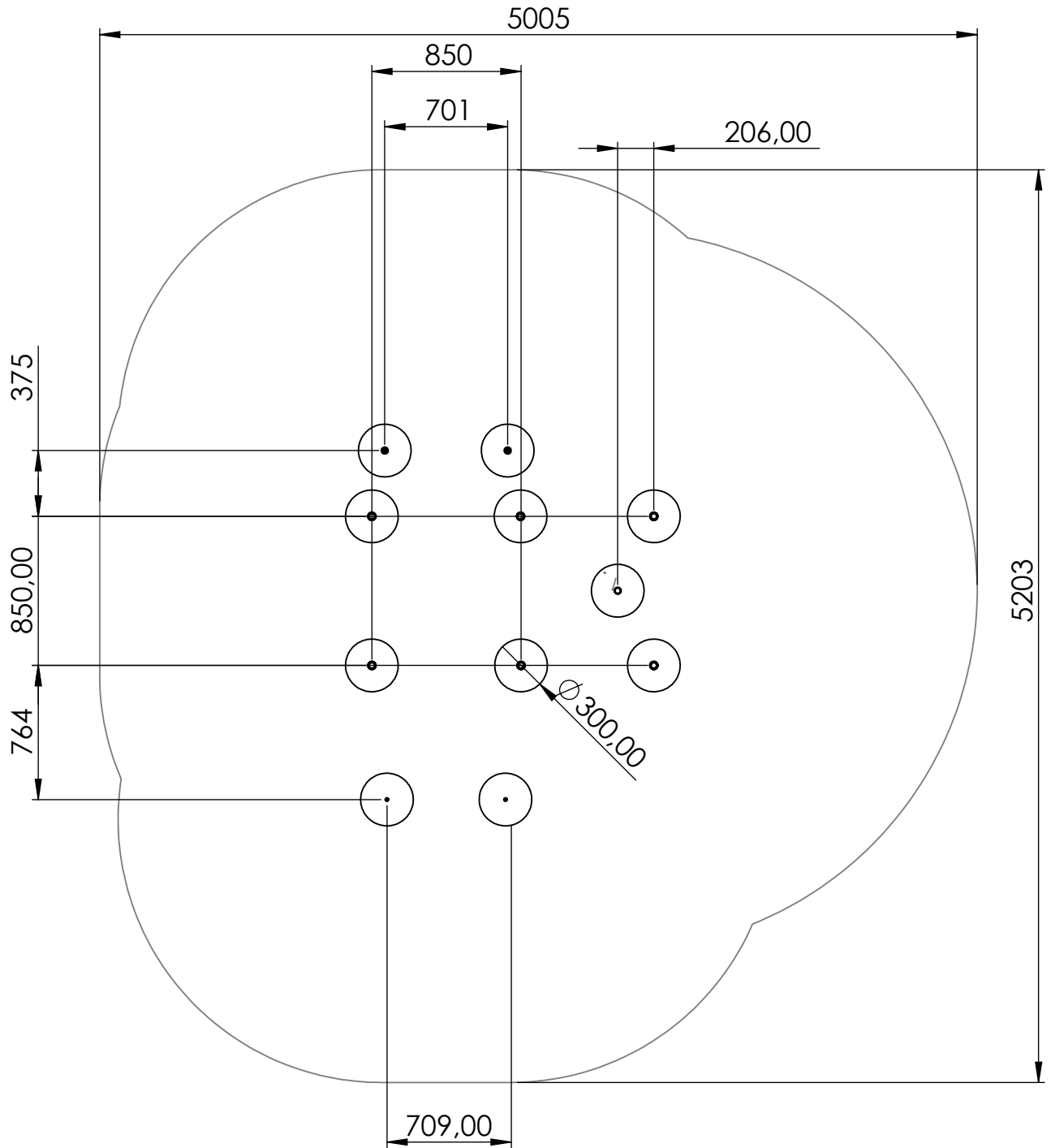
A

B

C

D

E



UNLESS OTHERWISE SPECIFIED:
DIMENSIONS ARE IN MILLIMETERS
WEIGHT ARE IN KILOGRAMM

PART NUMBER / DWG NO.:

LMK100

	NAME	SIGNATURE	DATE	REVISION
DRAWN	E.Reispere		25.09.2024	
APPV'D				

DESCRIPTION:

Sand play complex with platform

F



Tiptap⁰⁰

MATERIAL:

wood, metal, plastic

A4

WEIGHT:

SCALE: 1:8

SHEET 3 OF 40

dimensions

A

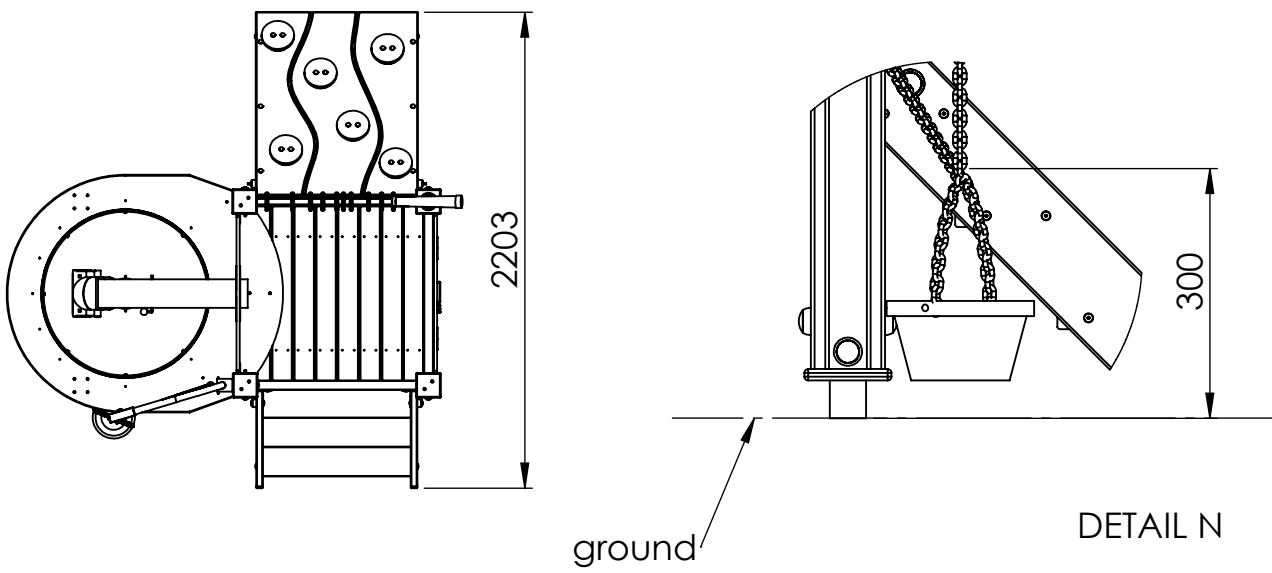
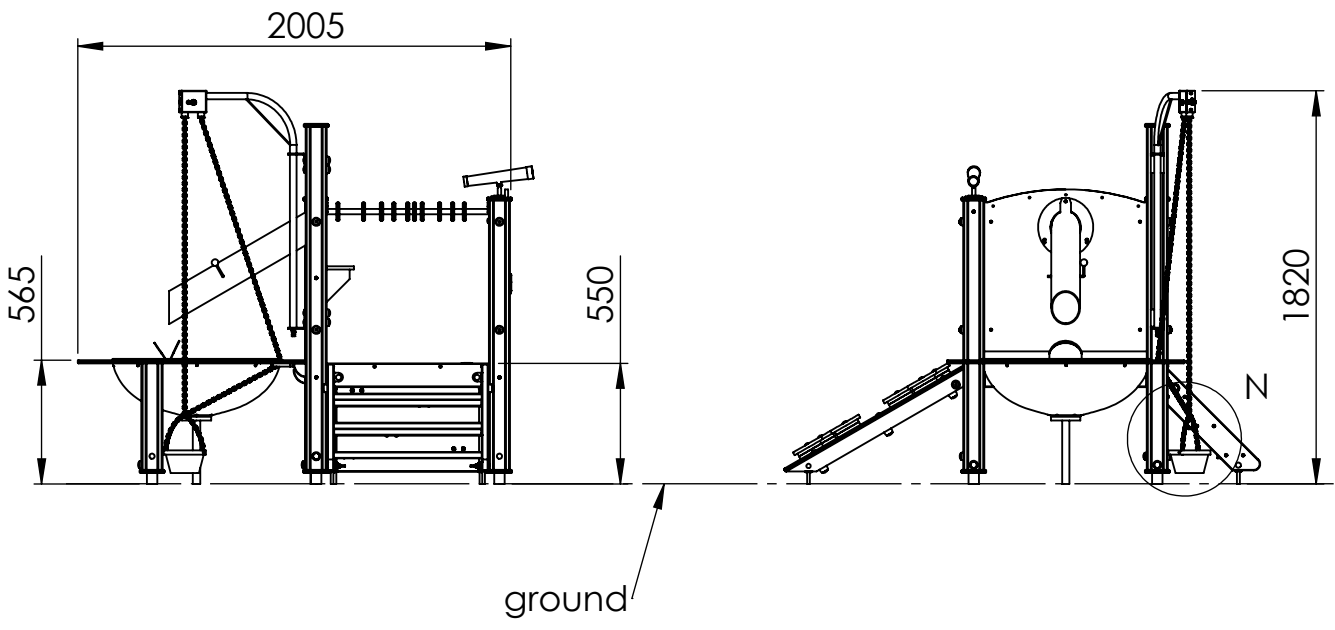
B

C

D

E

F



UNLESS OTHERWISE SPECIFIED:
DIMENSIONS ARE IN MILLIMETERS
WEIGHT ARE IN KILOGRAMM

	NAME	SIGNATURE	DATE	REVISION
DRAWN	E.Reispere		25.09.2024	
APPV'D				

PART NUMBER / DWG NO.:	LMK100	
DESCRIPTION:	Sand play complex with platform	



MATERIAL:	wood, metal, plastic	A4
WEIGHT:	SCALE: 1:8	SHEET 4 OF 40

post locations

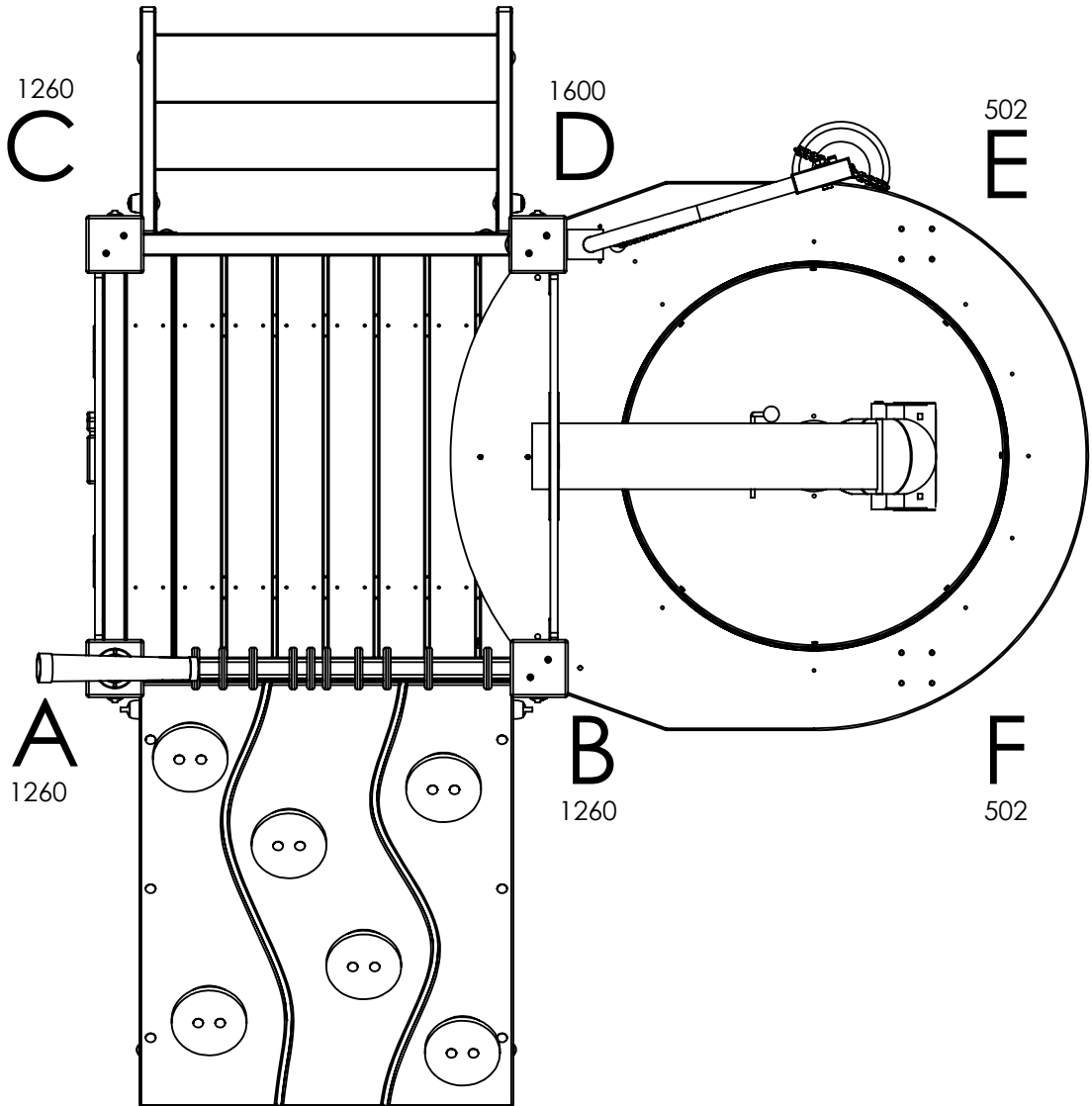
A

B

C

D

E



UNLESS OTHERWISE SPECIFIED:
 DIMENSIONS ARE IN MILLIMETERS
 WEIGHT ARE IN KILOGRAMM

PART NUMBER / DWG NO.:

LMK100

	NAME	SIGNATURE	DATE	REVISION
DRAWN	E.Reispere		25.09.2024	
APPV'D				

DESCRIPTION:

Sand play complex with platform

MATERIAL:

wood, metal, plastic

A4

WEIGHT:

SCALE: 1:8

SHEET 5 OF 40



Tiptiptap ^{ÖÜ}

AL post

A

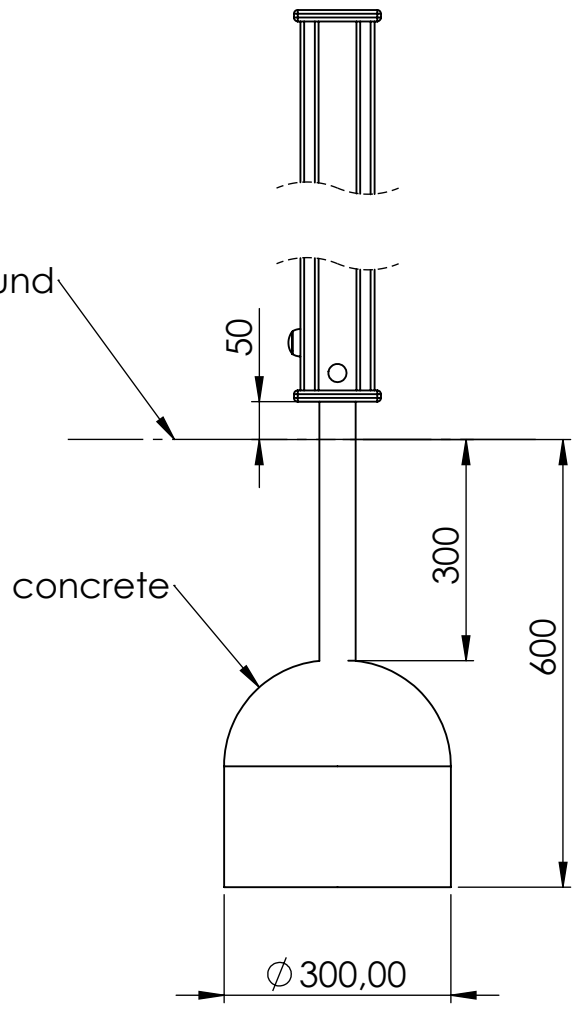
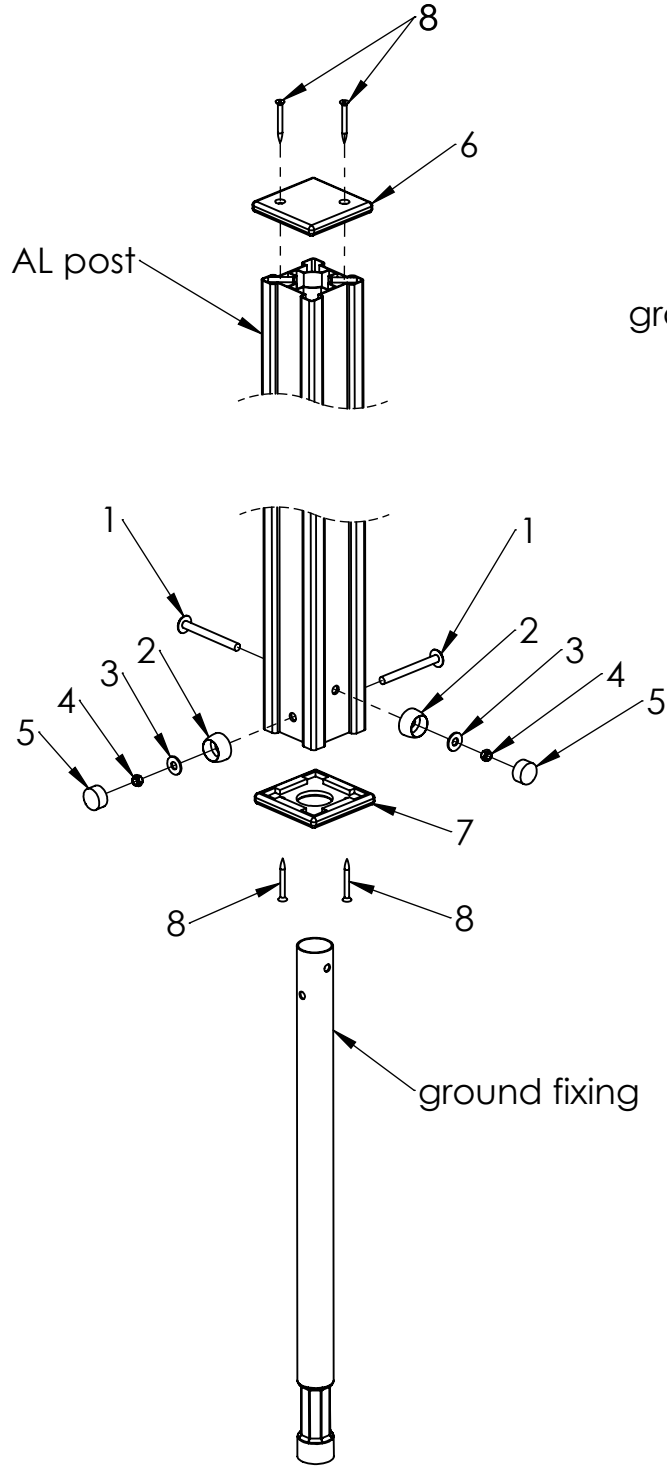
B

C

D

E

F



ITEM NO.	DESCRIPTION
1	bolt M10x100 DIN603
2	nut cover M12
3	washer M10 DIN9054
4	nut M8 DIN985
5	nut cover cap M12
6	plastic cap 115x115
7	plastic cap 115x115 with hole
8	wood screw PP 6 x 60

UNLESS OTHERWISE SPECIFIED: DIMENSIONS ARE IN MILLIMETERS WEIGHT ARE IN KILOGRAMM				
	NAME	SIGNATURE	DATE	REVISION
DRAWN	E.Reispere		25.09.2024	
APPV'D				

PART NUMBER / DWG NO.:	LMK100		
DESCRIPTION:	Sand play complex with platform		



MATERIAL:	wood, metal, plastic	A4
WEIGHT:	SCALE: 1:50	SHEET 6 OF 40

Wood profile post gap and groundfixing assembly

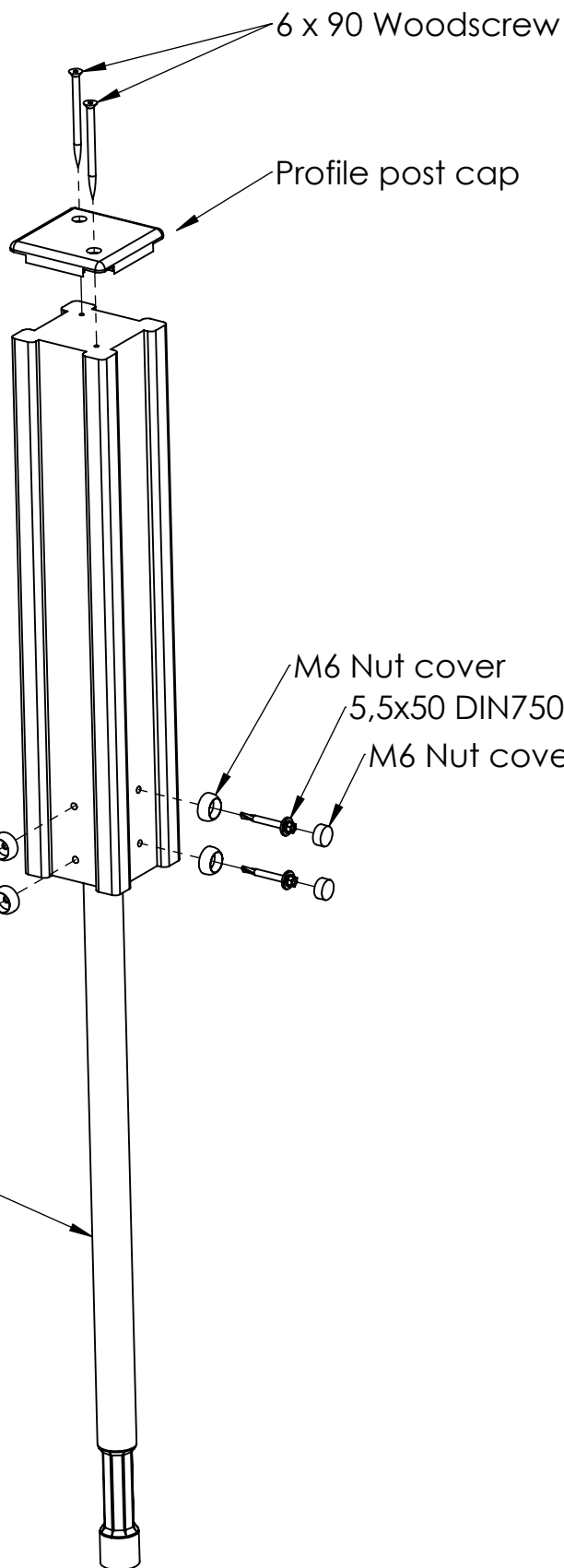
A

B

C

D

E



6 x 90 Woodscrew

Profile post cap

M6 Nut cover

5,5x50 DIN7504-K

M6 Nut cover cap

metal groundfixing

UNLESS OTHERWISE SPECIFIED:
DIMENSIONS ARE IN MILLIMETERS
WEIGHT ARE IN KILOGRAMM

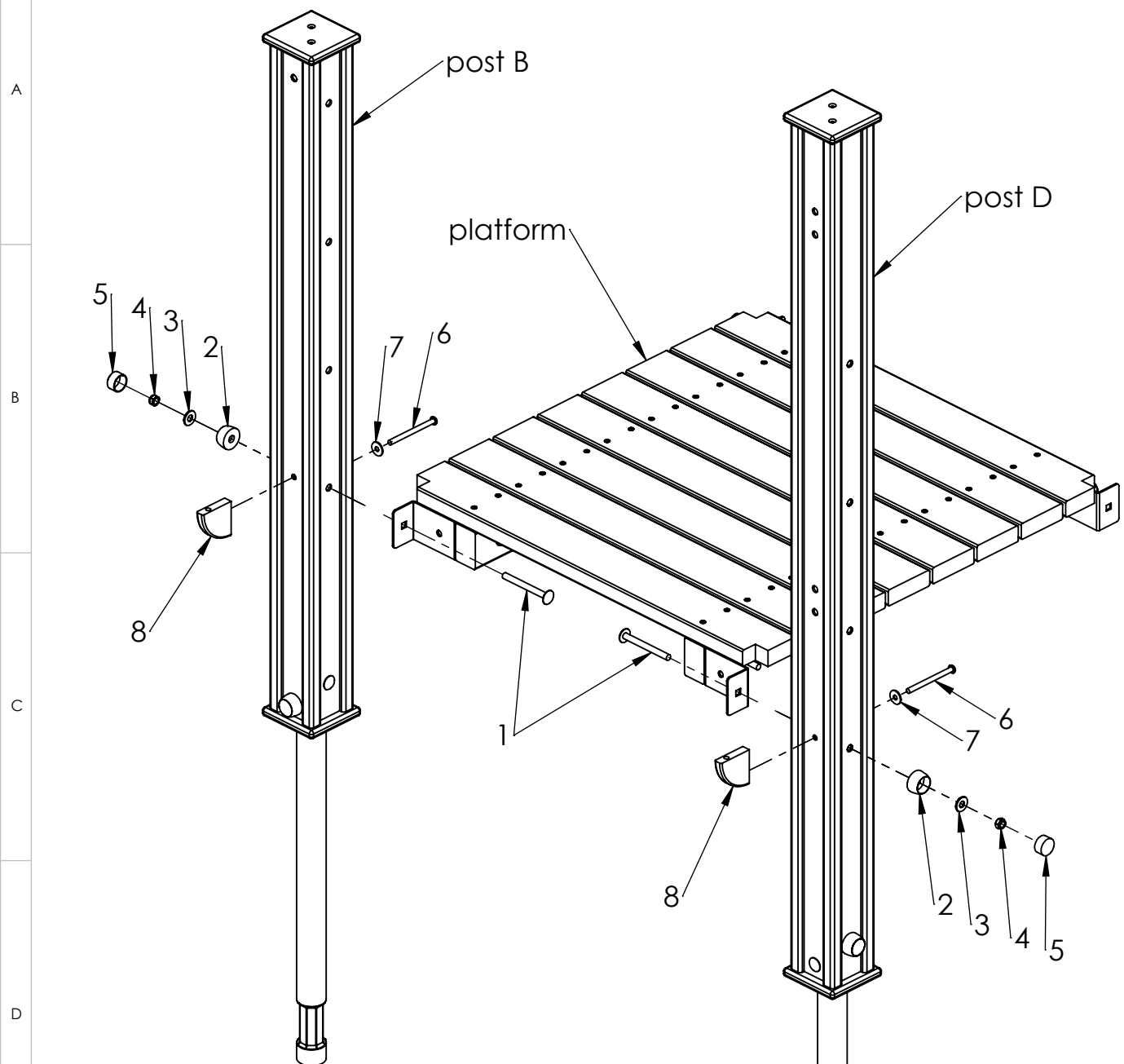
	NAME	SIGNATURE	DATE	REVISION
DRAWN	E.Reispere		25.09.2024	
APPV'D				

PART NUMBER / DWG NO.:	LM010
DESCRIPTION:	Play centre Brita



Tiptiptap ⁰⁰

MATERIAL:	wood, metal, plastic	A4
WEIGHT:	SCALE: 1:6	SHEET 7 OF 40



ITEM NO.	DESCRIPTION
1	bolt M10x100 DIN603
2	nut cover M12
3	washer M10 DIN9054
4	nut M10 DIN985
5	nut cover cap M12
6	bolt M8x100 DIN7380
7	washer M8 DIN9021
8	plastic corner 90°

UNLESS OTHERWISE SPECIFIED:
DIMENSIONS ARE IN MILLIMETERS
WEIGHT ARE IN KILOGRAMM

PART NUMBER / DWG NO.:

LMK100

	NAME	SIGNATURE	DATE	REVISION
DRAWN	E.Reispere		25.09.2024	
APPV'D				

DESCRIPTION:

Sand play complex with platform

MATERIAL:

wood, metal, plastic

A4

WEIGHT:

SCALE: 1:8

SHEET 8 OF 40



Tiptiptap OÜ

A

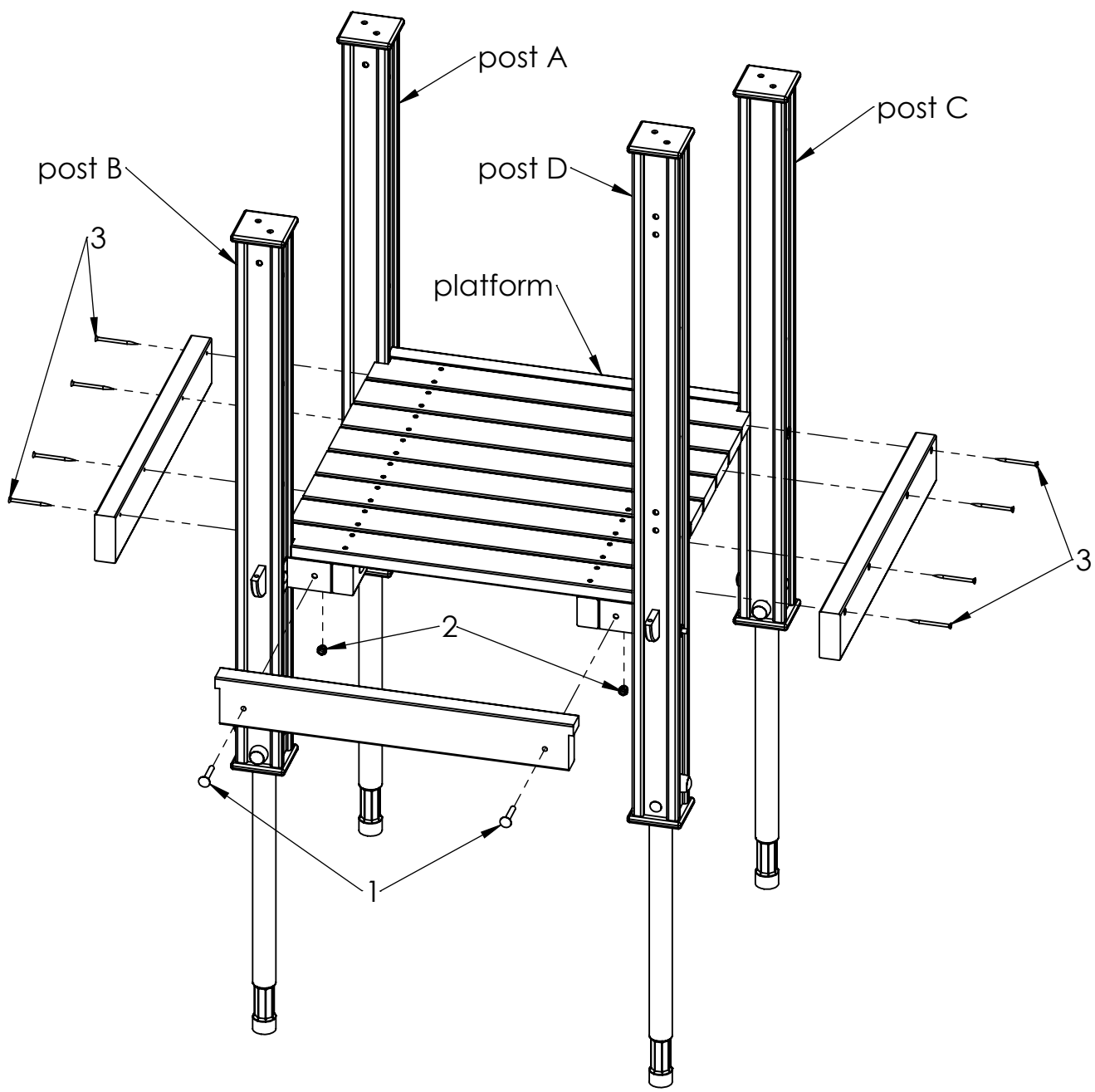
B

C

D

E

F



ITEM NO.	DESCRIPTION
1	bolt M10x60 DIN603
2	domed cap nut M10 DIN986
3	woodscrew PP 6 x 90

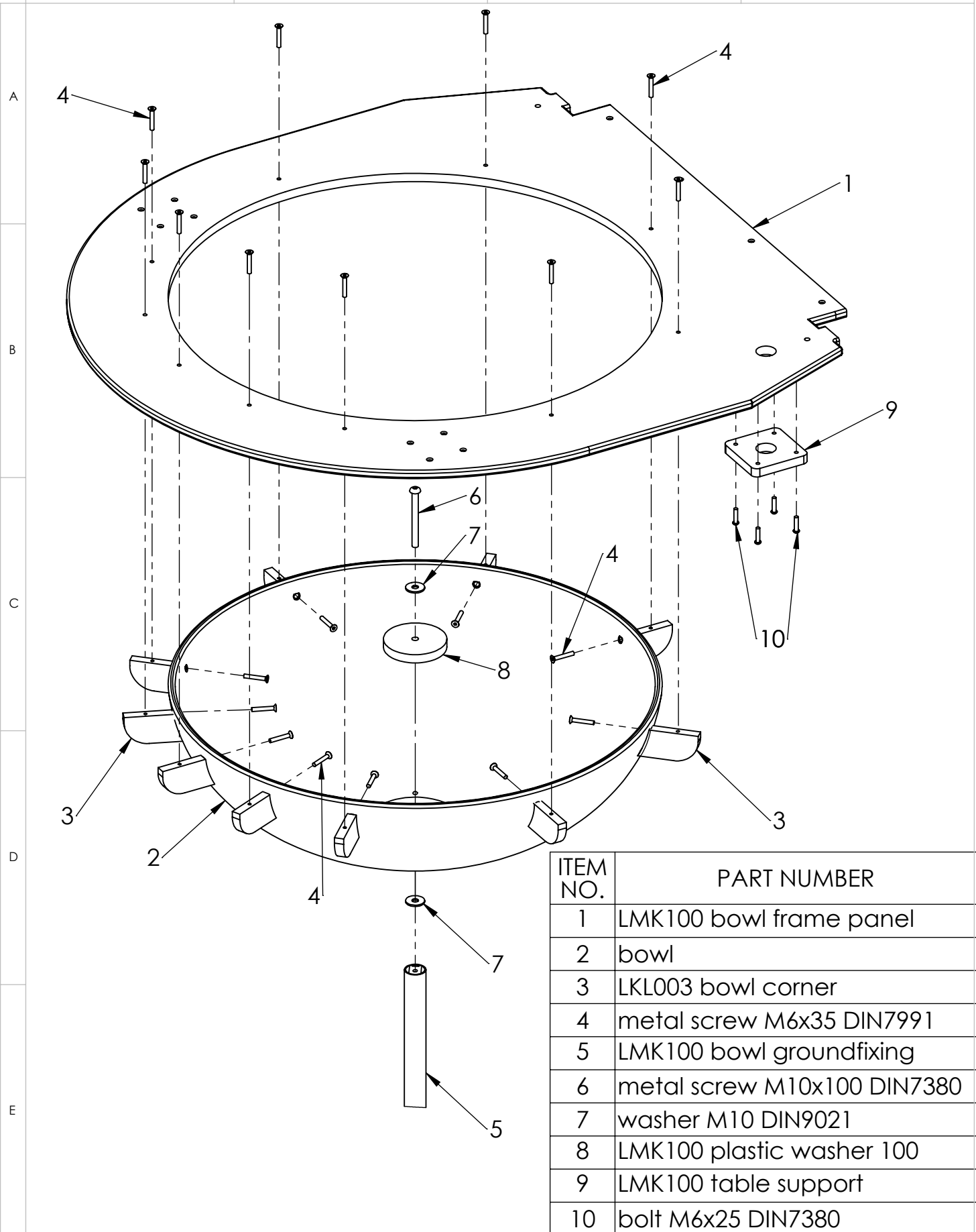
UNLESS OTHERWISE SPECIFIED:
DIMENSIONS ARE IN MILLIMETERS
WEIGHT ARE IN KILOGRAMM

	NAME	SIGNATURE	DATE	REVISION
DRAWN	E.Reispere		25.09.2024	
APPV'D				

PART NUMBER / DWG NO.:	LMK100
DESCRIPTION:	Sand play complex with platform



MATERIAL:	wood, metal, plastic	A4
WEIGHT:		SCALE: 1:8
		SHEET 9 OF 40



ITEM NO.	PART NUMBER
1	LMK100 bowl frame panel
2	bowl
3	LKL003 bowl corner
4	metal screw M6x35 DIN7991
5	LMK100 bowl groundfixing
6	metal screw M10x100 DIN7380
7	washer M10 DIN9021
8	LMK100 plastic washer 100
9	LMK100 table support
10	bolt M6x25 DIN7380

UNLESS OTHERWISE SPECIFIED:
DIMENSIONS ARE IN MILLIMETERS
WEIGHT ARE IN KILOGRAMM

PART NUMBER / DWG NO.:

LMK100

	NAME	SIGNATURE	DATE	REVISION
DRAWN	E.Reispere		25.09.2024	
APPV'D				

DESCRIPTION:

Sand play complex with platform

MATERIAL:

wood, metal, plastic

A4

WEIGHT:

SCALE: 1:8

SHEET 10 OF 40



Tiptap OÜ

A

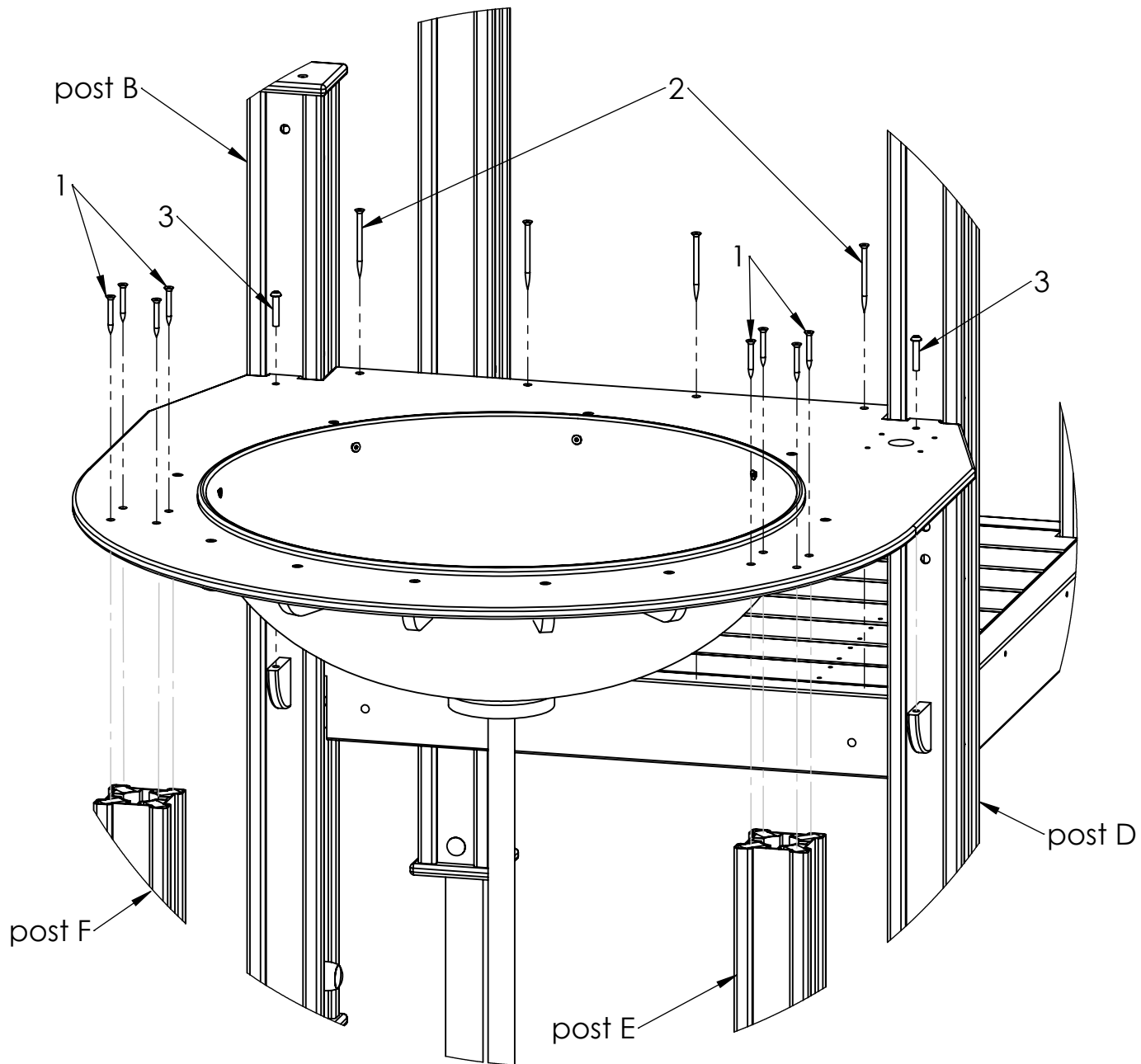
B

C

D

E

F



Important:
 On wood posts, use a Item NO. 1
 instead of a wood screw PP 6x90

ITEM NO.	DESCRIPTION
1	wood screw PP 6 x 60
2	wood screw PP 6 x 90
3	bolt M8x40 Art.9121

UNLESS OTHERWISE SPECIFIED:
 DIMENSIONS ARE IN MILLIMETERS
 WEIGHT ARE IN KILOGRAMM

PART NUMBER / DWG NO.:

LMK100

	NAME	SIGNATURE	DATE	REVISION
DRAWN	E.Reispere		25.09.2024	
APPV'D				

DESCRIPTION:

Sand play complex with platform

MATERIAL:

wood, metal, plastic

A4

WEIGHT:

SCALE: 1:8

SHEET 11 OF 40



Tiptap OÜ

A

connecting the bowl panel to the platform

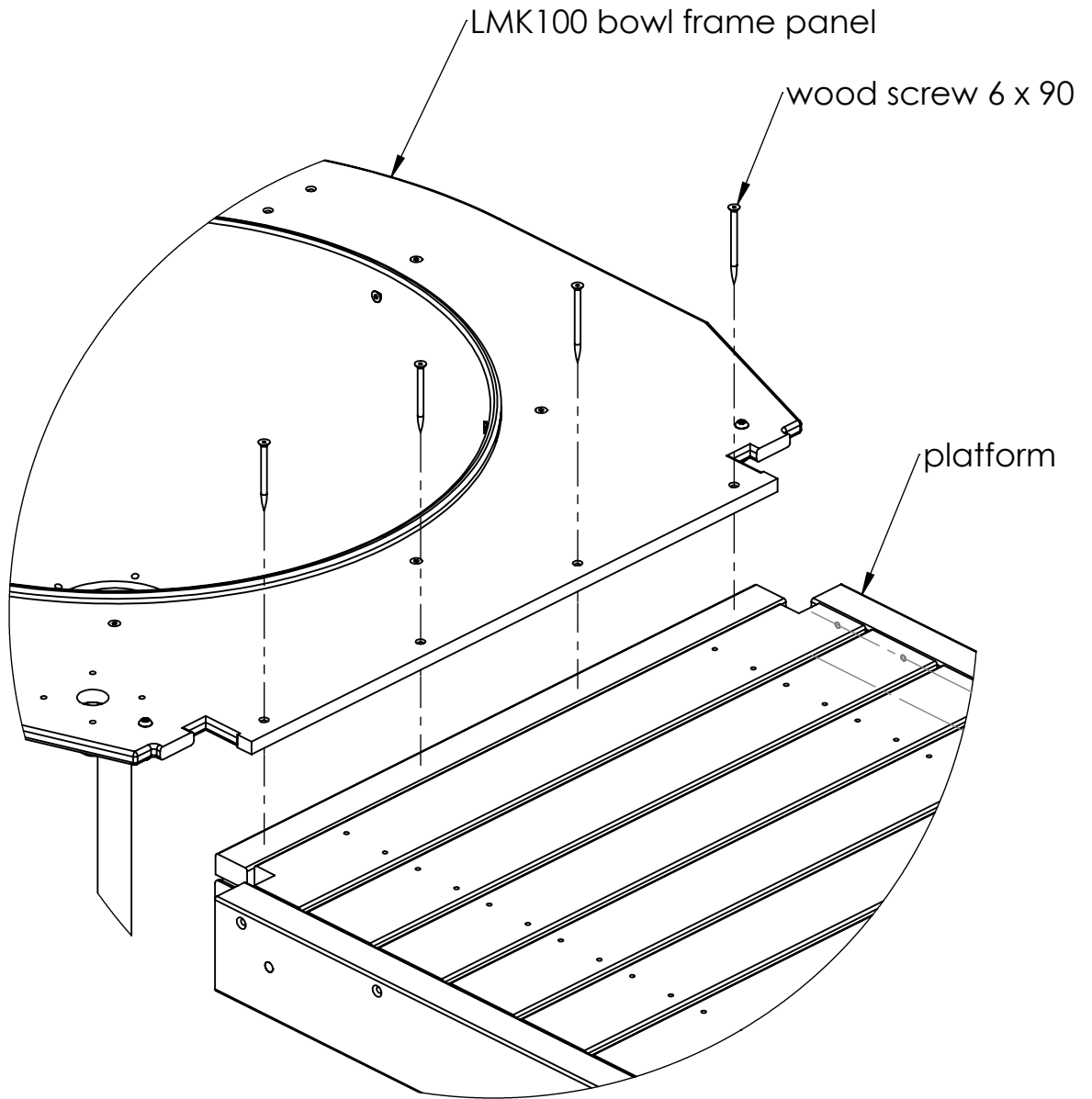
B

C

D

E

F



Important: drill through the panel with a Ø4mm drill bit

UNLESS OTHERWISE SPECIFIED:
DIMENSIONS ARE IN MILLIMETERS
WEIGHT ARE IN KILOGRAMM

PART NUMBER / DWG NO.:

LMK100

	NAME	SIGNATURE	DATE	REVISION
DRAWN	E.Reispere		25.09.2024	
APPV'D				

DESCRIPTION:

Sand play complex with platform

MATERIAL:

wood, metal, plastic

A4

WEIGHT:

SCALE: 1:8

SHEET 12 OF 40



Tiptap ^{OO}

A

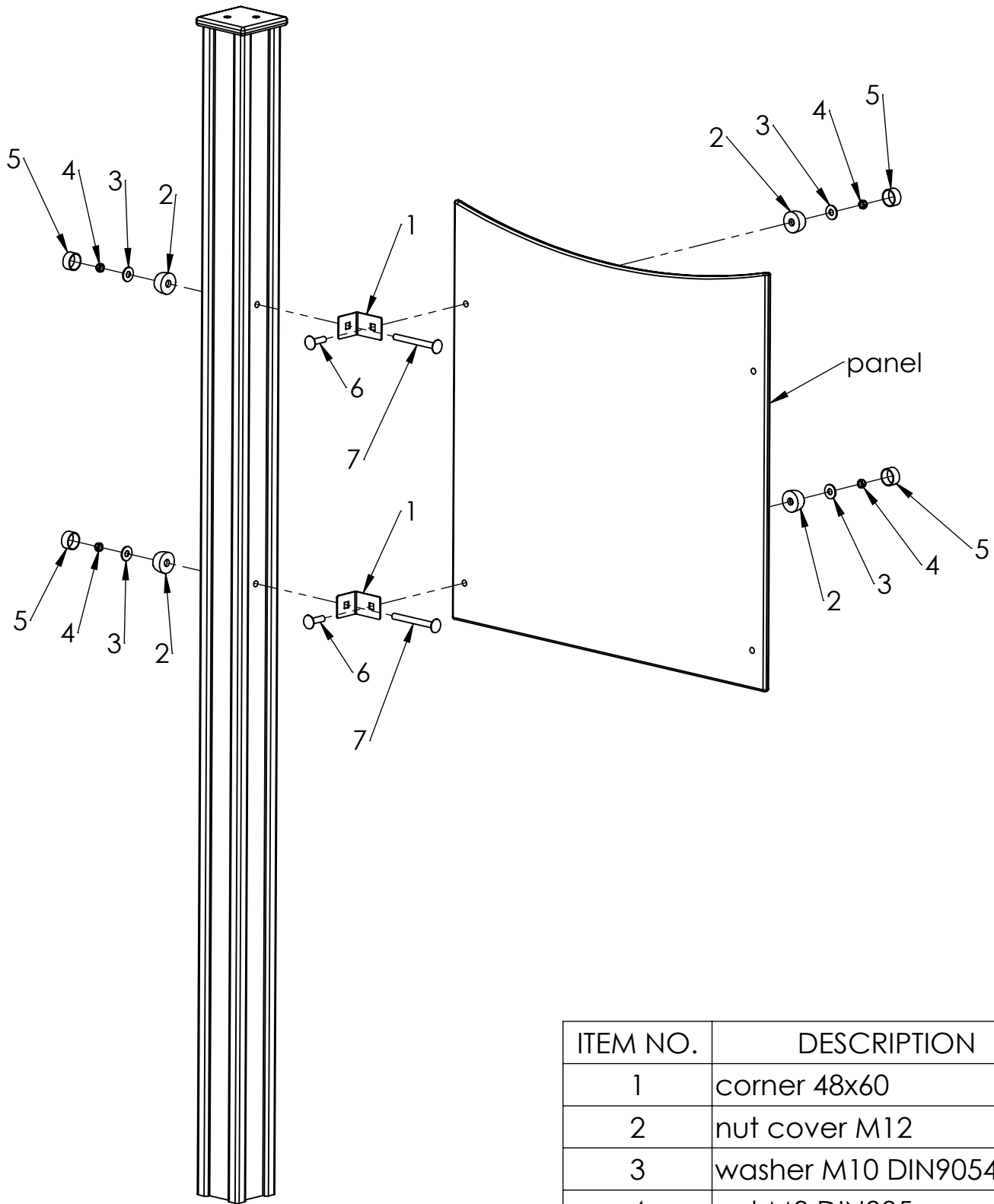
B

C

D

E

F



ITEM NO.	DESCRIPTION
1	corner 48x60
2	nut cover M12
3	washer M10 DIN9054
4	nut M8 DIN985
5	nut cover cap M12
6	bolt M10x35 DIN603
7	bolt M10x100 DIN603

UNLESS OTHERWISE SPECIFIED:
 DIMENSIONS ARE IN MILLIMETERS
 WEIGHT ARE IN KILOGRAMM

PART NUMBER / DWG NO.:

LMK100

	NAME	SIGNATURE	DATE	REVISION
DRAWN	E.Reispere		25.09.2024	
APPV'D				

DESCRIPTION:

Sand play complex with platform



Tiptap OÜ

MATERIAL:

wood, metal, plastic

A4

WEIGHT:

SCALE: 1:80

SHEET 13 OF 40

A

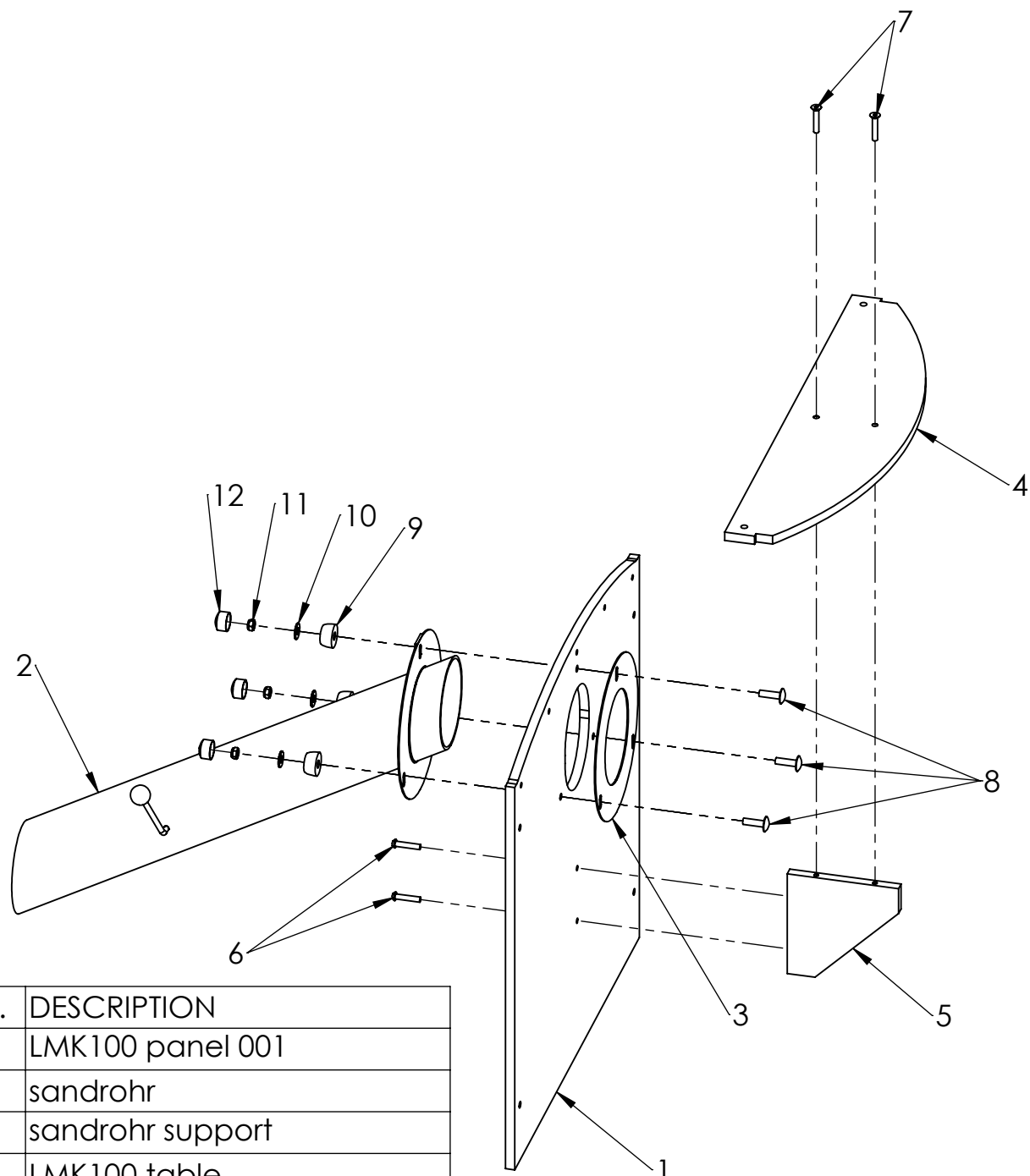
B

C

D

E

F



ITEM NO.	DESCRIPTION
1	LMK100 panel 001
2	sandrohr
3	sandrohr support
4	LMK100 table
5	LMK100 table support
6	bolt M8x40 Art.9121
7	metal screw M8x40 DIN7991
8	bolt M10x35 DIN603
9	nut cover M12
10	washer M10 DIN9054
11	nut M10 DIN985
12	nut cover cap M12

UNLESS OTHERWISE SPECIFIED:
DIMENSIONS ARE IN MILLIMETERS
WEIGHT ARE IN KILOGRAMM

	NAME	SIGNATURE	DATE	REVISION
DRAWN	E.Reispere		25.09.2024	
APPV'D				

PART NUMBER / DWG NO.:

LMK100

DESCRIPTION:

Sand play complex with platform

MATERIAL:

wood, metal, plastic

A4

WEIGHT:

SCALE: 1:8

SHEET 14 OF 40



Tiptap OÜ

A

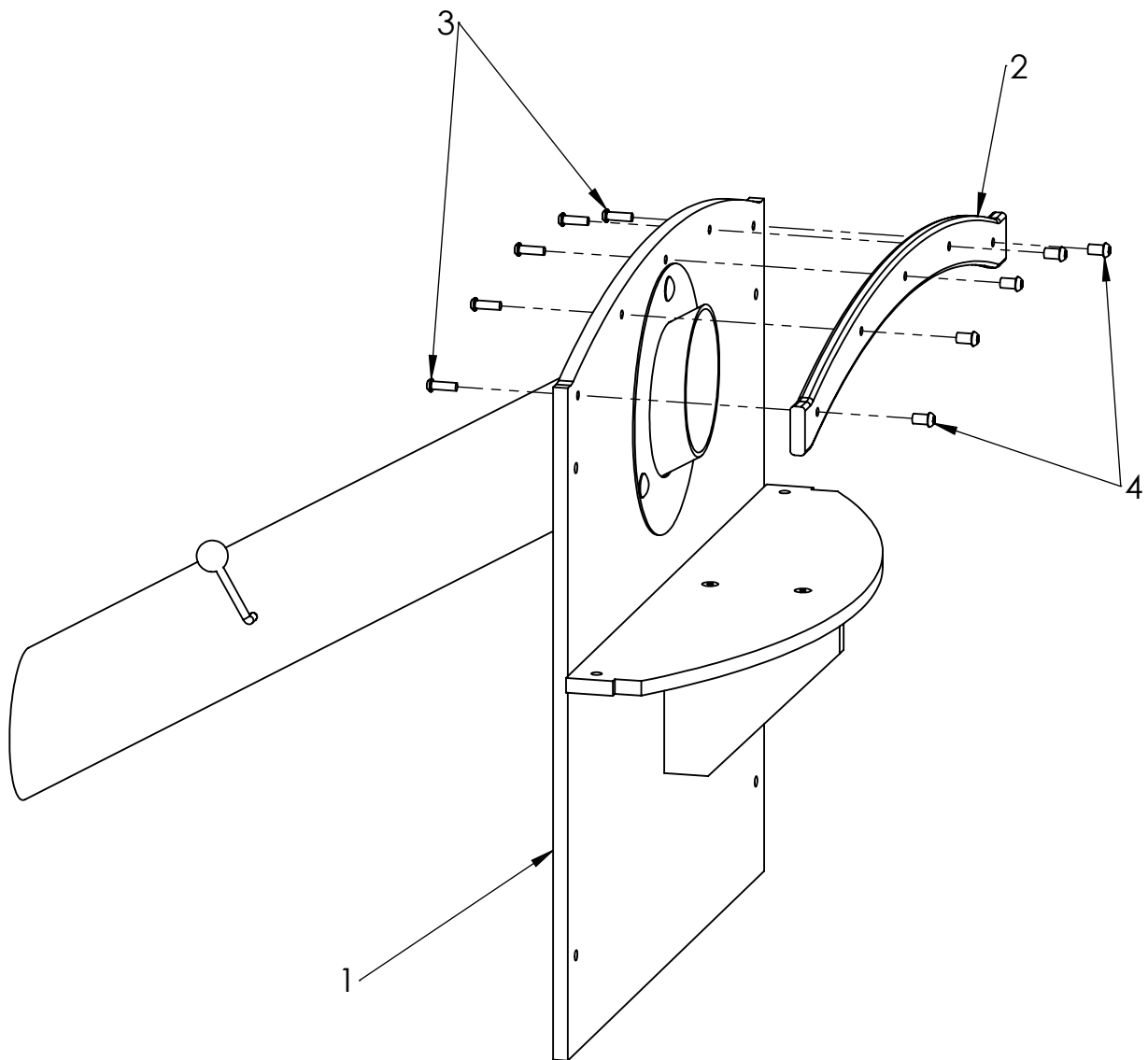
B

C

D

E

F



ITEM NO.	DESCRIPTION
1	LMK100 panel 001
2	LMK100 panel 001 support
3	bolt M8x25 Art.9121
4	nut M8x16 Art.9121

UNLESS OTHERWISE SPECIFIED:
 DIMENSIONS ARE IN MILLIMETERS
 WEIGHT ARE IN KILOGRAMM

PART NUMBER / DWG NO.:

LMK100

	NAME	SIGNATURE	DATE	REVISION
DRAWN	E.Reispere		25.09.2024	
APPV'D				

DESCRIPTION:

Sand play complex with platform

MATERIAL:

wood, metal, plastic

A4

WEIGHT:

SCALE: 1:8

SHEET 15 OF 40



Tiptiptap ^{OO}

A

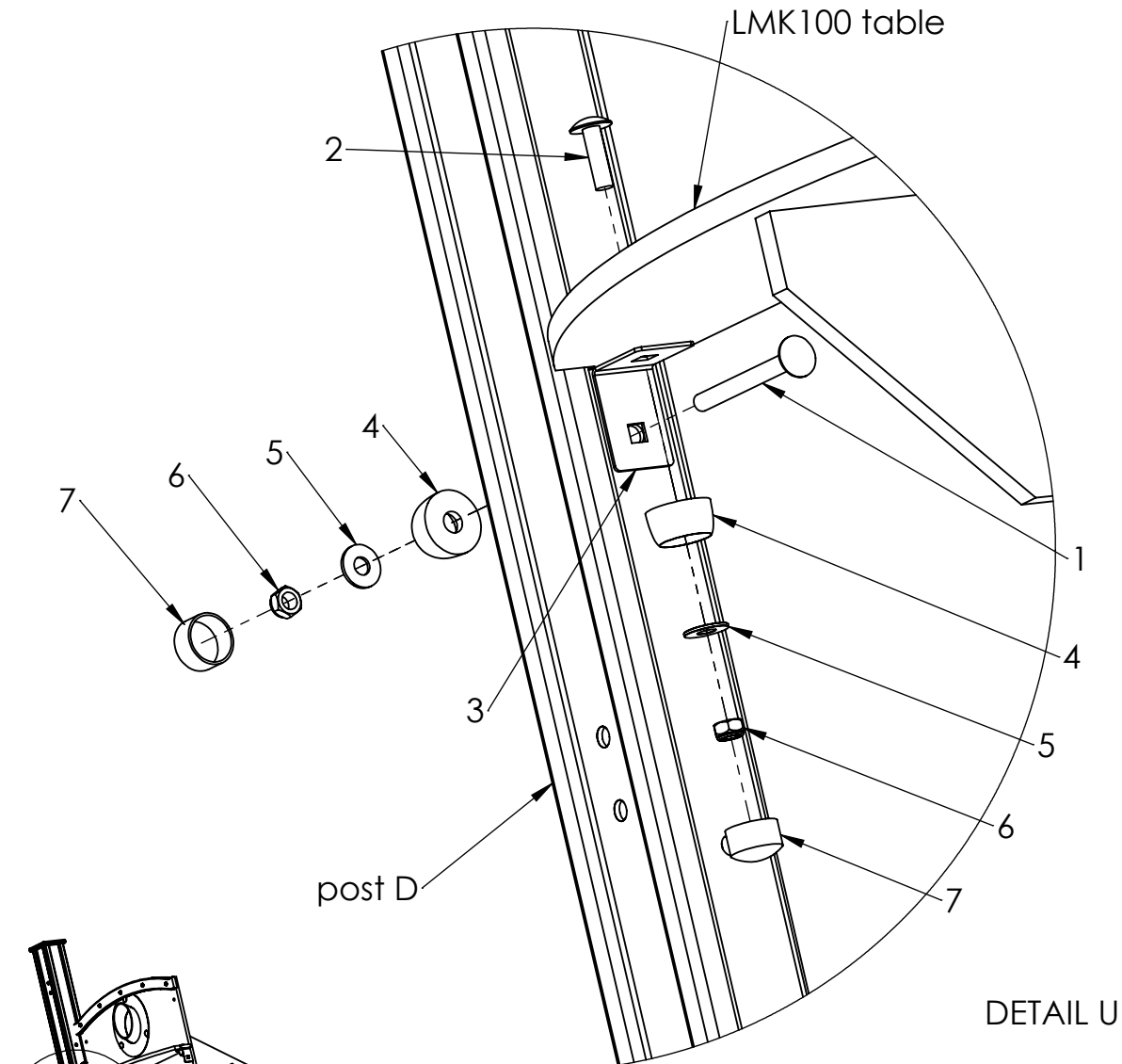
B

C

D

E

F



ITEM NO.	DESCRIPTION
1	bolt M10x100 DIN603
2	bolt M10x35 DIN603
3	corner 48x60
4	nut cover M12
5	washer M10 DIN9054
6	nut M10 DIN985
7	nut cover cap M12

UNLESS OTHERWISE SPECIFIED: DIMENSIONS ARE IN MILLIMETERS WEIGHT ARE IN KILOGRAMM				
	NAME	SIGNATURE	DATE	REVISION
DRAWN	E.Reispere		25.09.2024	
APPV'D				

PART NUMBER / DWG NO.:	LMK100		
DESCRIPTION:	Sand play complex with platform		



MATERIAL:	wood, metal, plastic	A4
WEIGHT:	SCALE: 1:8	SHEET 16 OF 40

Counting rings to aluminium post assembly

A

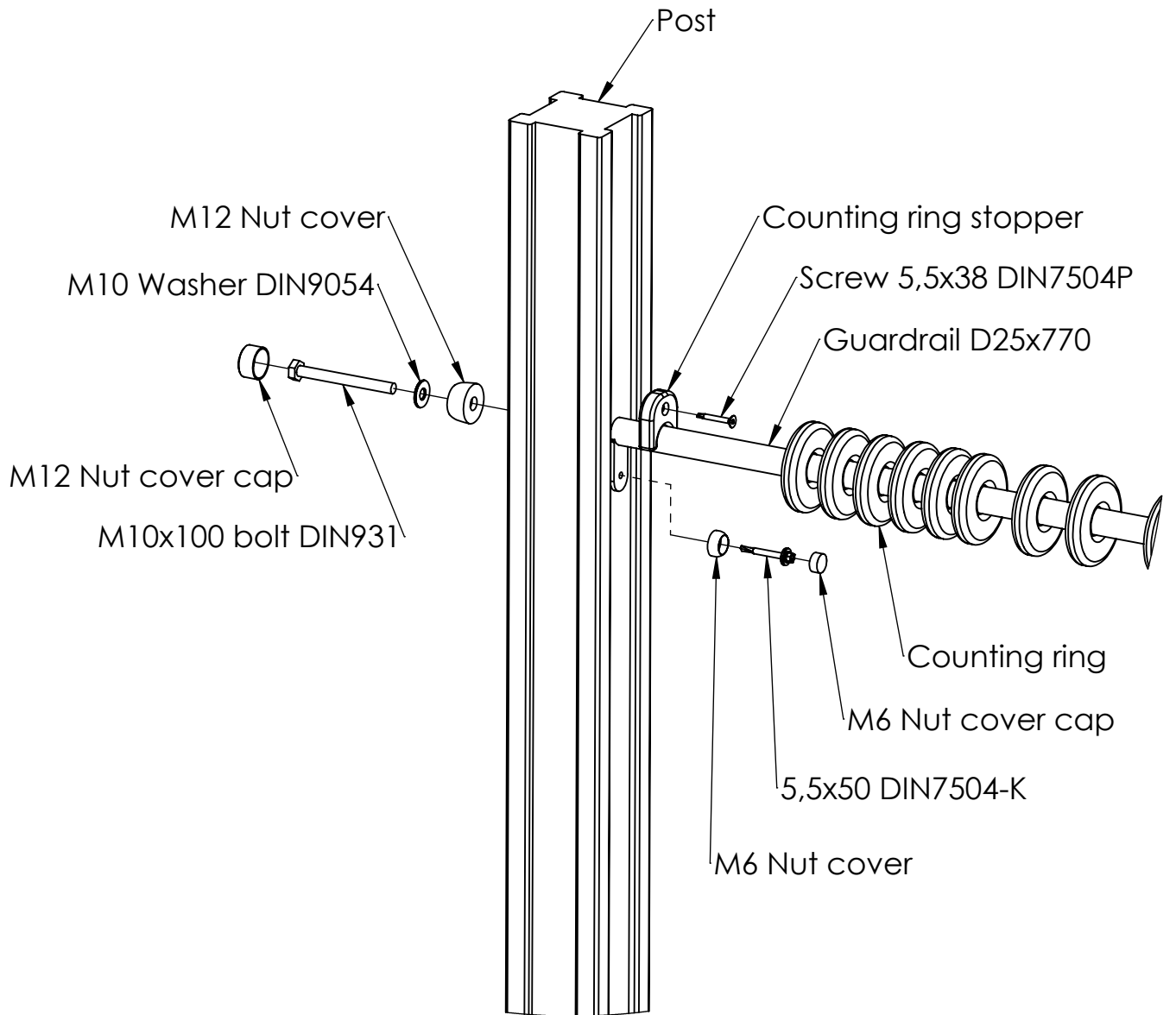
B

C

D

E

F



UNLESS OTHERWISE SPECIFIED:
 DIMENSIONS ARE IN MILLIMETERS
 WEIGHT ARE IN KILOGRAMM

PART NUMBER / DWG NO.:

LMK100

	NAME	SIGNATURE	DATE	REVISION
DRAWN	E.Reispere		25.09.2024	
APPV'D				

DESCRIPTION:

Sand play complex with platform

MATERIAL:

wood, metal, plastic

A4

WEIGHT:

SCALE: 1:7

SHEET 17 OF 40



Tiptap ⁰⁰

Counting rings to wood post assembly

A

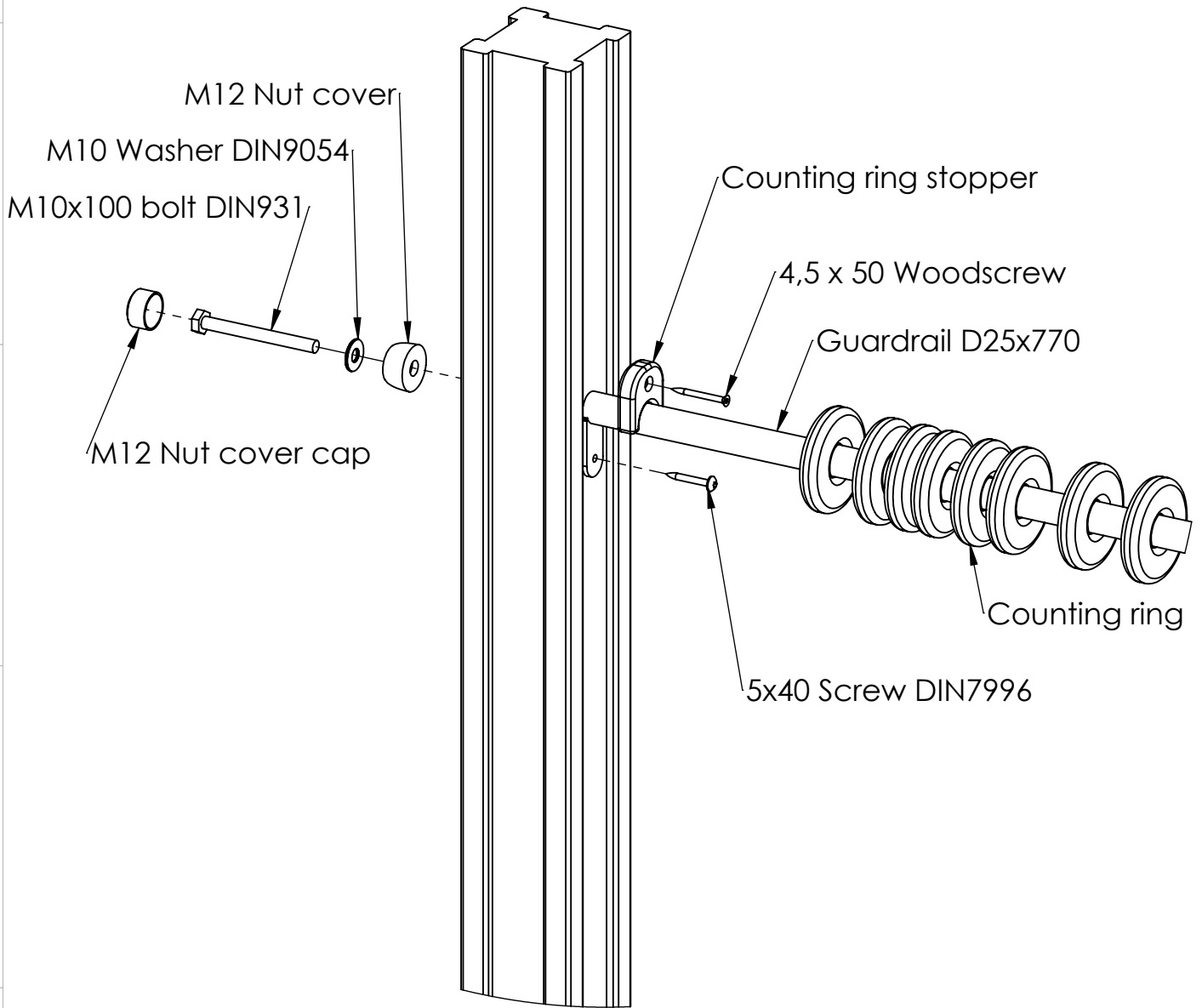
B


C

D

E

F



UNLESS OTHERWISE SPECIFIED: DIMENSIONS ARE IN MILLIMETERS WEIGHT ARE IN KILOGRAMM				PART NUMBER / DWG NO.: LMK100		
	NAME	SIGNATURE	DATE	REVISION		
DRAWN	E.Reispere		25.09.2024			
APPV'D						
 Tiptiptap ^{OO}				DESCRIPTION: Sand play complex with platform		
				MATERIAL: wood, metal, plastic		A4
				WEIGHT:	SCALE: 1:20	SHEET 18 OF 40

A

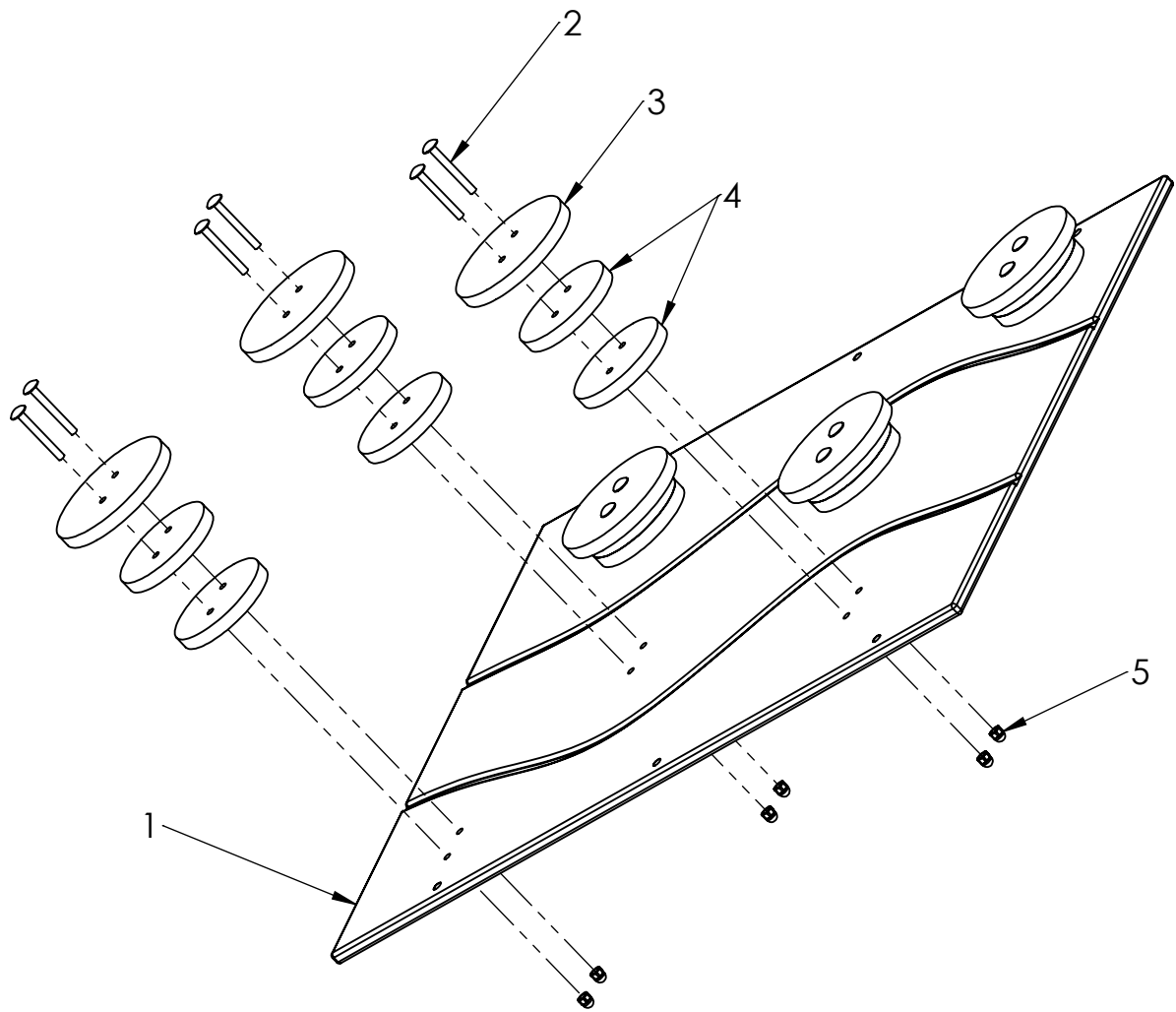
B

C

D

E

F



ITEM NO.	PART NUMBER
1	LMK100 ramp panel
2	bolt M8x70 DIN603
3	LMK100 climbing discs
4	LMK100 distance disk
5	domed cap nut M8 DIN986

UNLESS OTHERWISE SPECIFIED: DIMENSIONS ARE IN MILLIMETERS WEIGHT ARE IN KILOGRAMM				
	NAME	SIGNATURE	DATE	REVISION
DRAWN	E.Reispere		25.09.2024	
APPV'D				

PART NUMBER / DWG NO.:	LMK100
DESCRIPTION:	Sand play complex with platform



MATERIAL:	wood, metal, plastic	A4
WEIGHT:	SCALE: 1:8	SHEET 19 OF 40

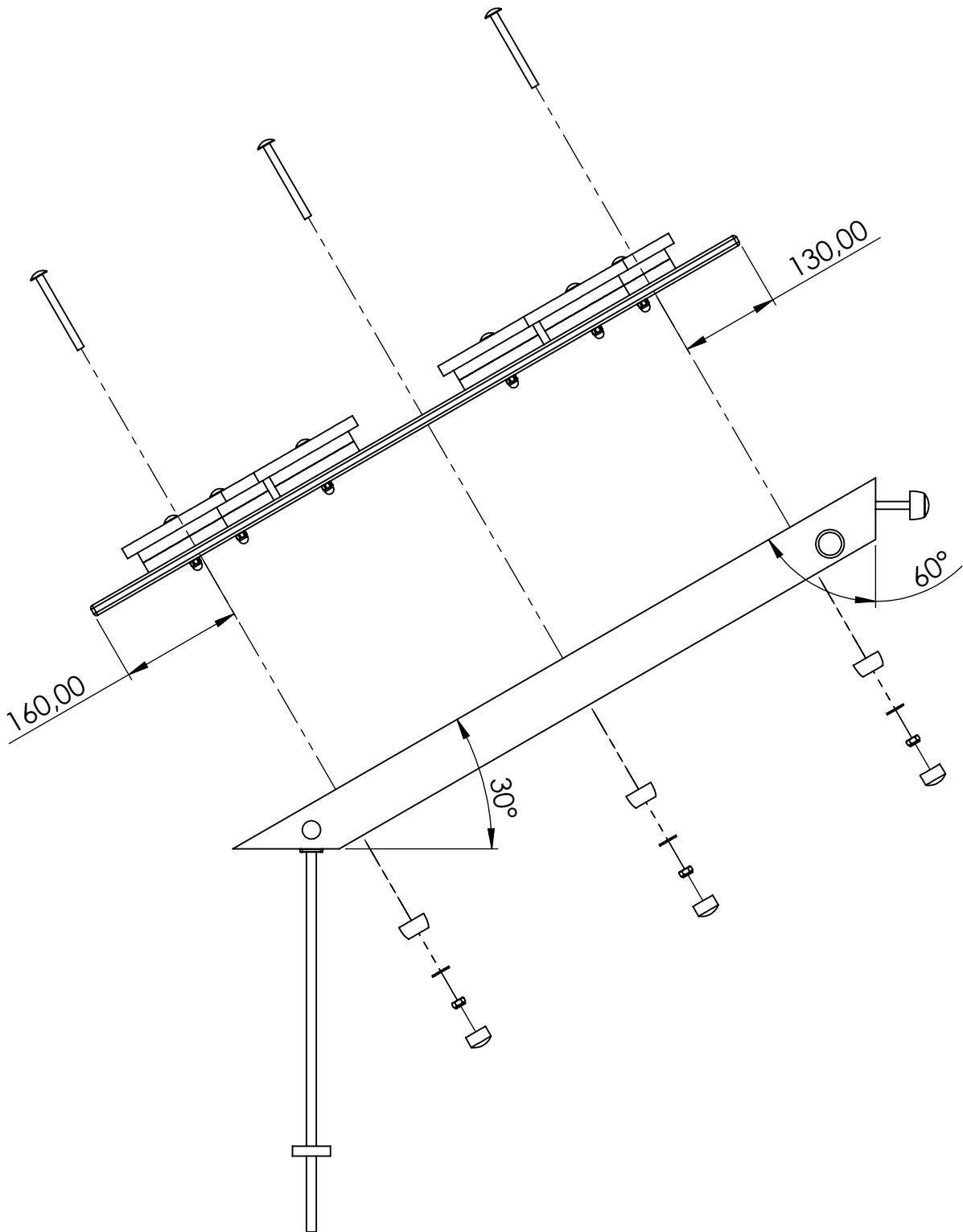
A

B

C

D

E



UNLESS OTHERWISE SPECIFIED:
 DIMENSIONS ARE IN MILLIMETERS
 WEIGHT ARE IN KILOGRAMM

PART NUMBER / DWG NO.:

LMK100

	NAME	SIGNATURE	DATE	REVISION
DRAWN	E.Reispere		25.09.2024	
APPV'D				

DESCRIPTION:

Sand play complex with platform

F



Tiptiptap^{ÖÜ}

MATERIAL:

wood, metal, plastic

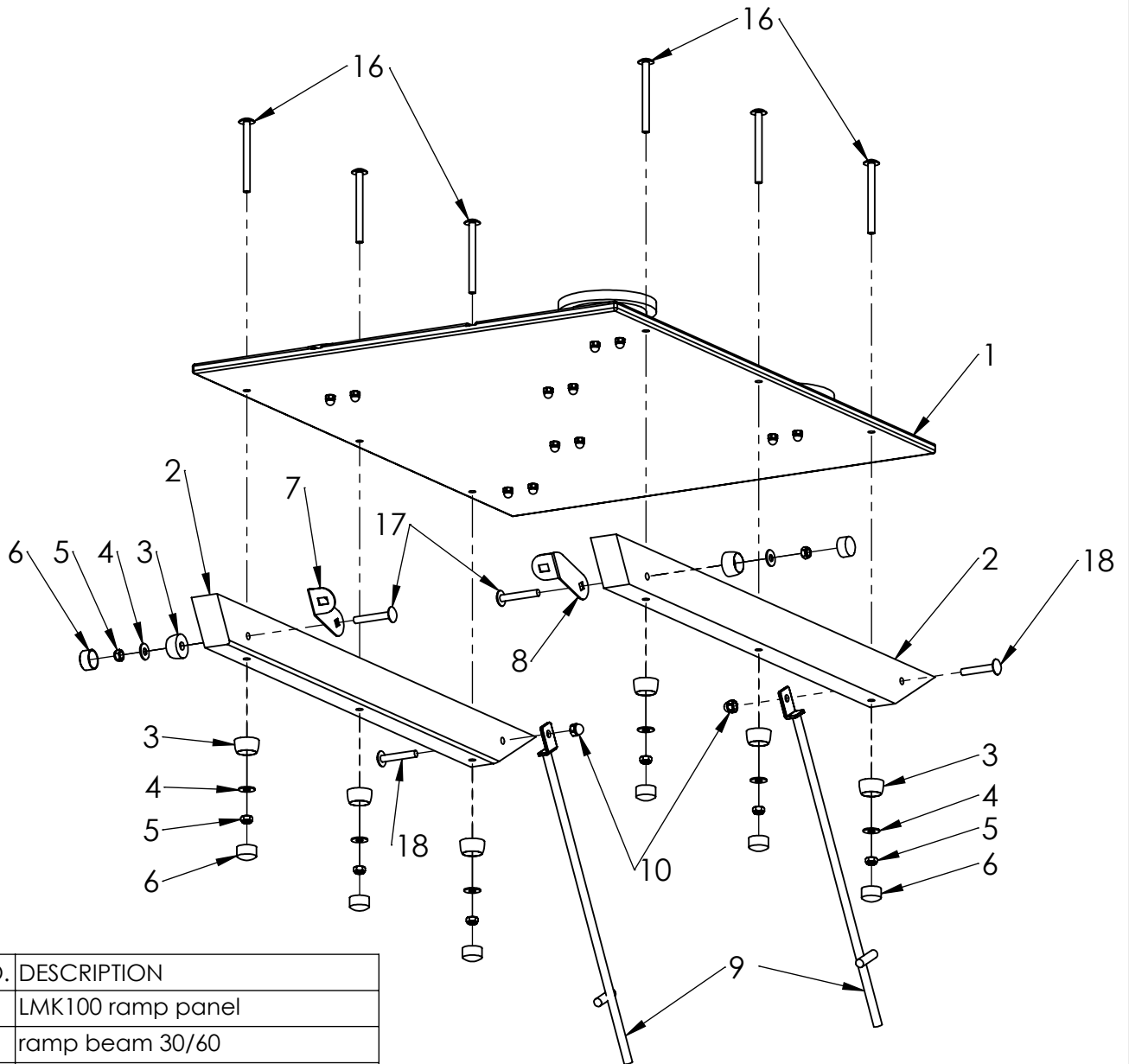
A4

WEIGHT:

SCALE: 1:8

SHEET 20 OF 40

ramp assembly



ITEM NO.	DESCRIPTION
1	LMK100 ramp panel
2	ramp beam 30/60
3	nut cover M12
4	washer M10 DIN9054
5	nut M10 DIN985
6	nut cover cap M12
7	stair fixture right
8	stair fixture left
9	ground fixing L-shape
10	domed cap nut M10 DIN986
16	bolt M10x110 DIN603
17	bolt M10x65 DIN603
18	bolt M10x60 DIN603

UNLESS OTHERWISE SPECIFIED:
DIMENSIONS ARE IN MILLIMETERS
WEIGHT ARE IN KILOGRAMM

PART NUMBER / DWG NO.:

LMK100

	NAME	SIGNATURE	DATE	REVISION
DRAWN	E.Reispere		25.09.2024	
APPV'D				

DESCRIPTION:

Sand play complex with platform

MATERIAL:

wood, metal, plastic

A4

WEIGHT:

SCALE: 1:8

SHEET 21 OF 40



Tiptap OÜ

A

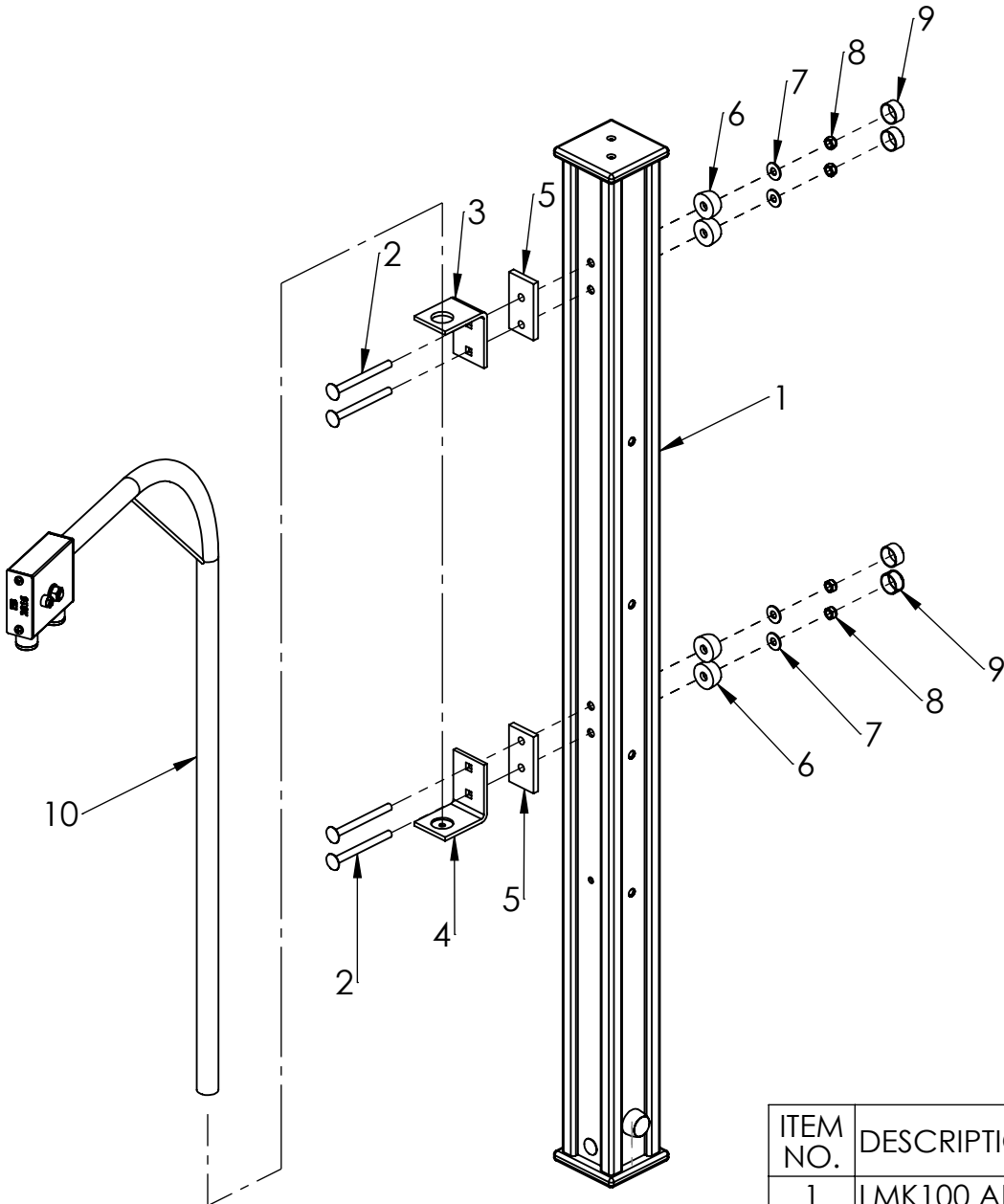
B

C

D

E

F



ITEM NO.	DESCRIPTION
1	LMK100 AL post D 1600
2	bolt M10x110 DIN603
3	sandlift corner upper
4	sandlift corner lower
5	LMK100 cap filling
6	nut cover M12
7	washer M10 DIN9054
8	nut M10 DIN985
9	nut cover cap M12
10	sandlift

UNLESS OTHERWISE SPECIFIED: DIMENSIONS ARE IN MILLIMETERS WEIGHT ARE IN KILOGRAMM				
	NAME	SIGNATURE	DATE	REVISION
DRAWN	E.Reispere		25.09.2024	
APPV'D				

PART NUMBER / DWG NO.: **LMK100**

DESCRIPTION:
Sand play complex with platform



MATERIAL:	wood, metal, plastic	A4
WEIGHT:		SCALE: 1:8
		SHEET 22 OF 40

fixing sandlift with a corner

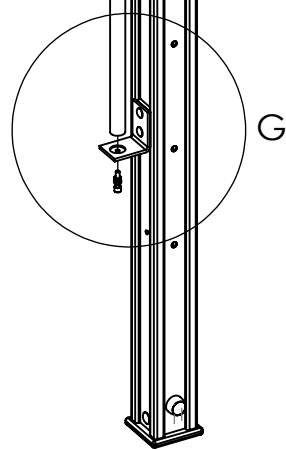
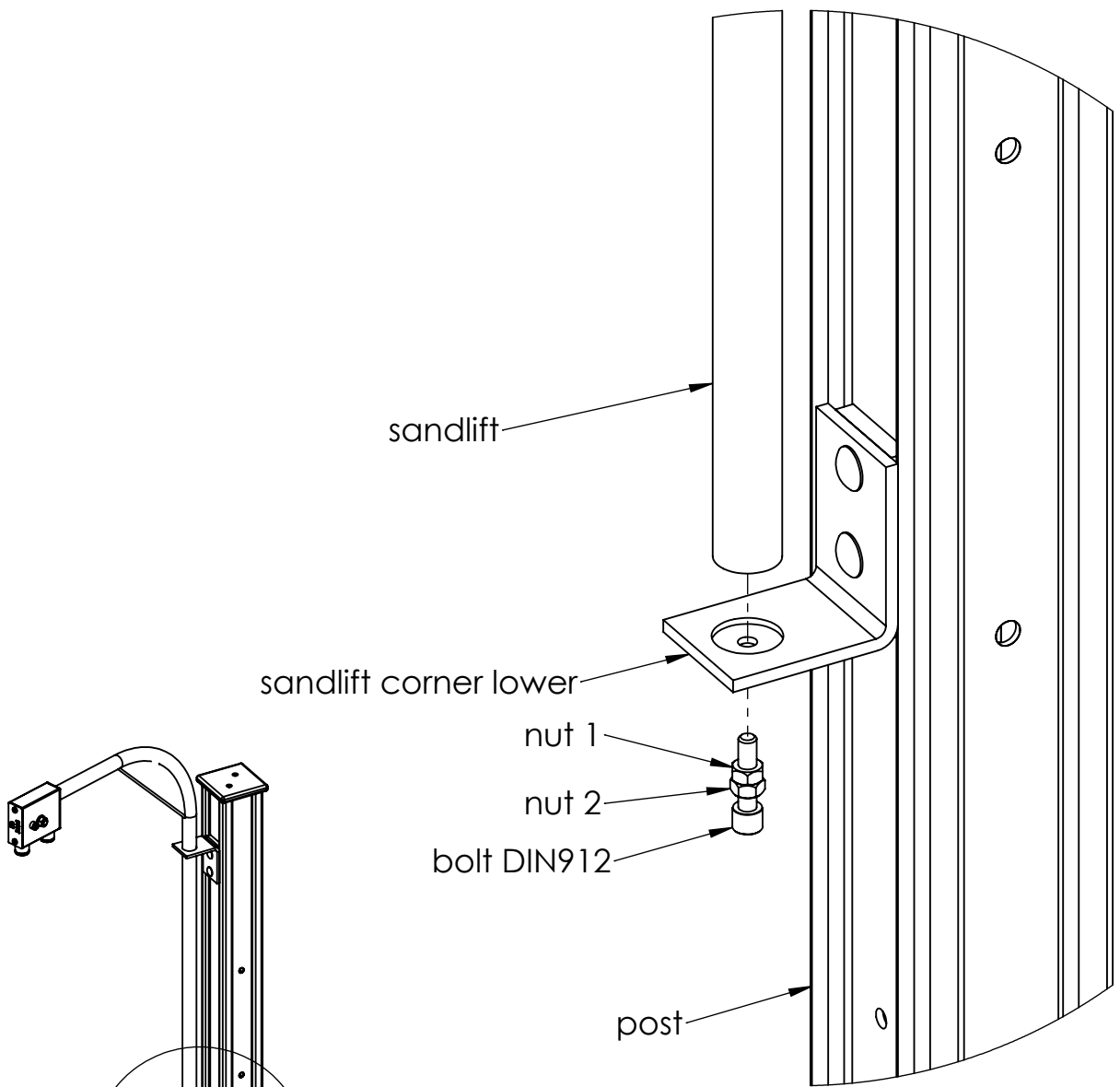
A

B

C

D

E



Tighten the DIN912 bolt into the sandlifter, then fasten nut 1 so that there is minimal movement between the sandlifter and the lower corner, then lock nut 1 with nut 2

DETAIL G

UNLESS OTHERWISE SPECIFIED:
DIMENSIONS ARE IN MILLIMETERS
WEIGHT ARE IN KILOGRAMM

PART NUMBER / DWG NO.:
LMK100

	NAME	SIGNATURE	DATE	REVISION
DRAWN	E.Reispere		25.09.2024	
APPV'D				

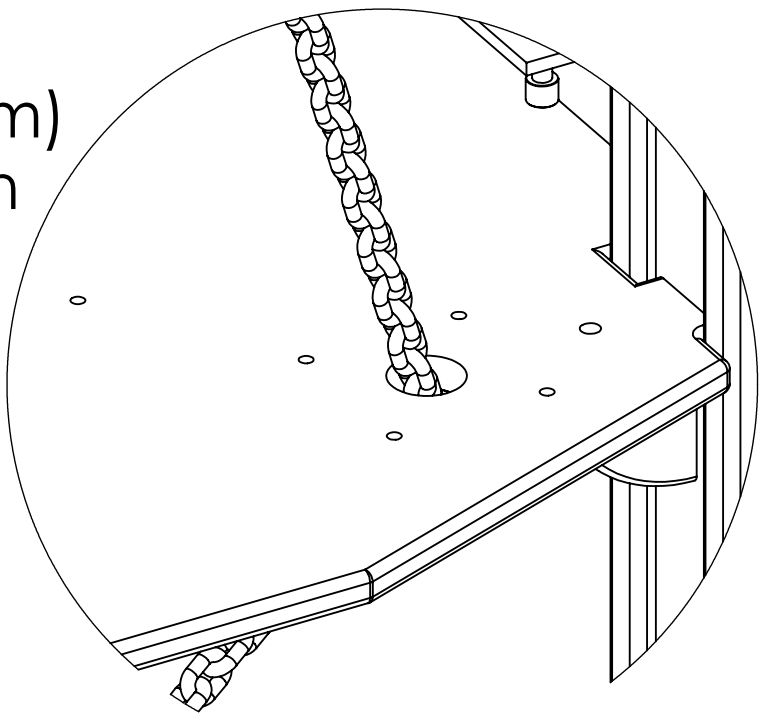
DESCRIPTION:
Sand play complex with platform



MATERIAL:	wood, metal, plastic	A4
WEIGHT:		SCALE: 1:8
		SHEET 23 OF 40

A

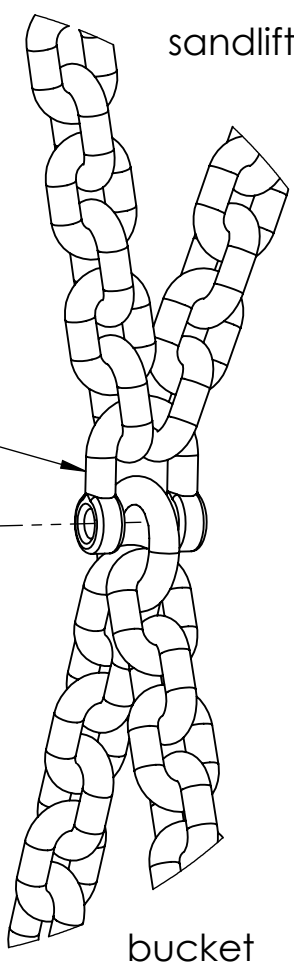
step 1
 put the chain (3,3m)
 through the hole in
 the table top



B

DETAIL H

C



sandlift

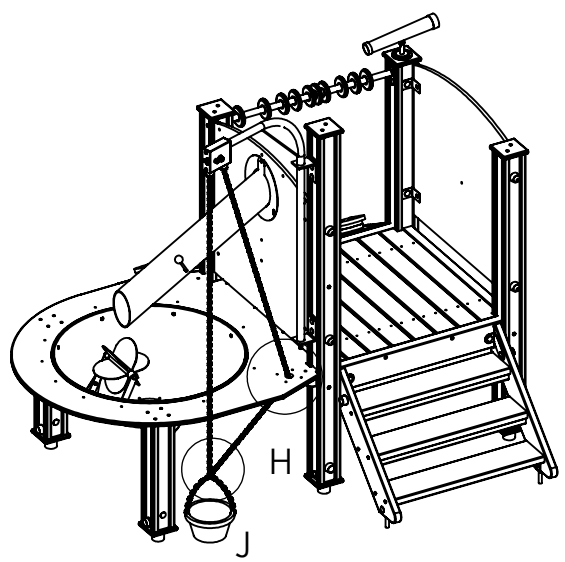
shekel

pin

bucket

DETAIL J

step 2
 connecting the sand lifter
 chain to the bucket chain



D

E

F

UNLESS OTHERWISE SPECIFIED: DIMENSIONS ARE IN MILLIMETERS WEIGHT ARE IN KILOGRAMM				
	NAME	SIGNATURE	DATE	REVISION
DRAWN	E.Reispere		25.09.2024	
APPV'D				

PART NUMBER / DWG NO.:	LMK100
DESCRIPTION:	Sand play complex with platform



Tiptiptap ^{OO}

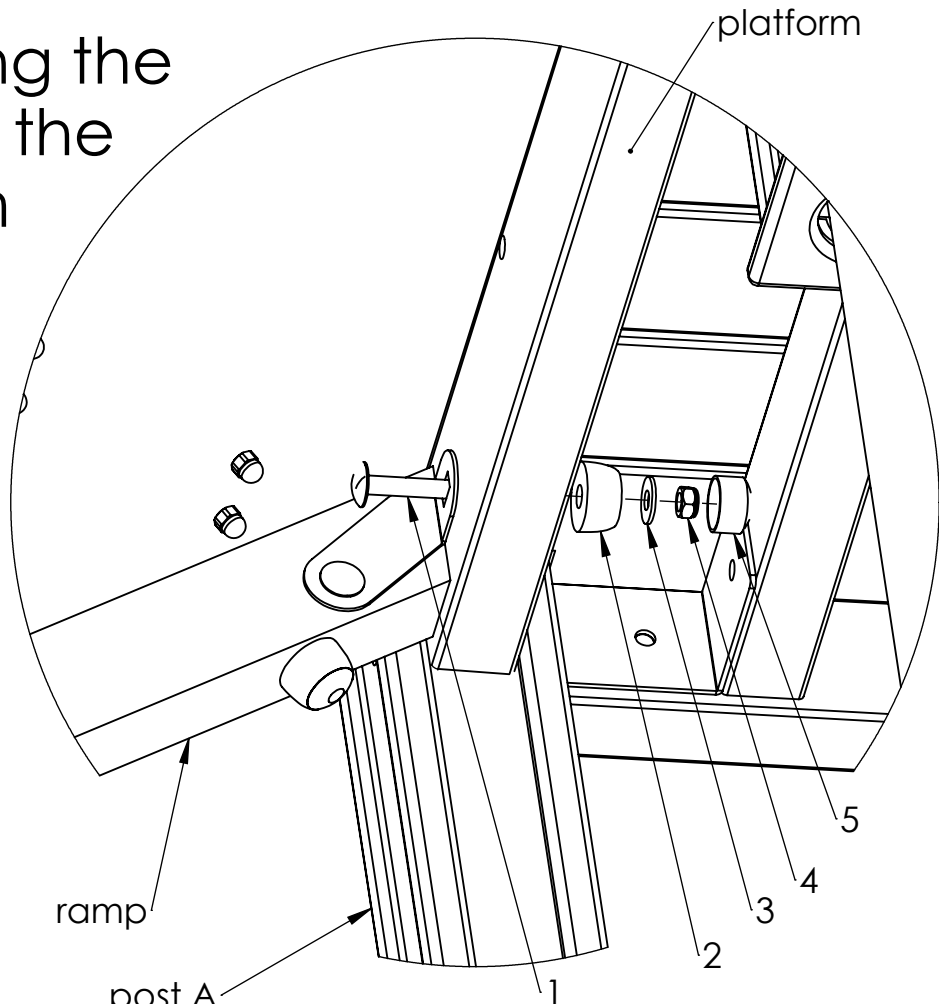
MATERIAL:	wood, metal, plastic	A4
WEIGHT:	SCALE: 1:8	SHEET 24 OF 40

A

attaching the ramp to the platform

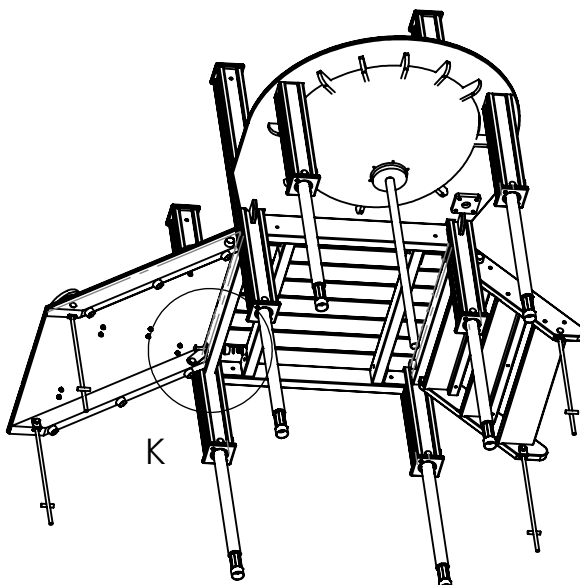
B

C



DETAIL K

D



E

ITEM NO.	DESCRIPTION
1	bolt M10x65 DIN603
2	nut cover M12
3	washer M10 DIN9054
4	nut M10 DIN985
5	nut cover cap M12

F

UNLESS OTHERWISE SPECIFIED: DIMENSIONS ARE IN MILLIMETERS WEIGHT ARE IN KILOGRAMM				
	NAME	SIGNATURE	DATE	REVISION
DRAWN	E.Reispere		25.09.2024	
APPV'D				

PART NUMBER / DWG NO.:	LMK100		
DESCRIPTION:	Sand play complex with platform		



Tiptiptap OÜ

MATERIAL:	wood, metal, plastic	A4
WEIGHT:	SCALE: 1:8	SHEET 25 OF 40

attaching the stair to the platform

A

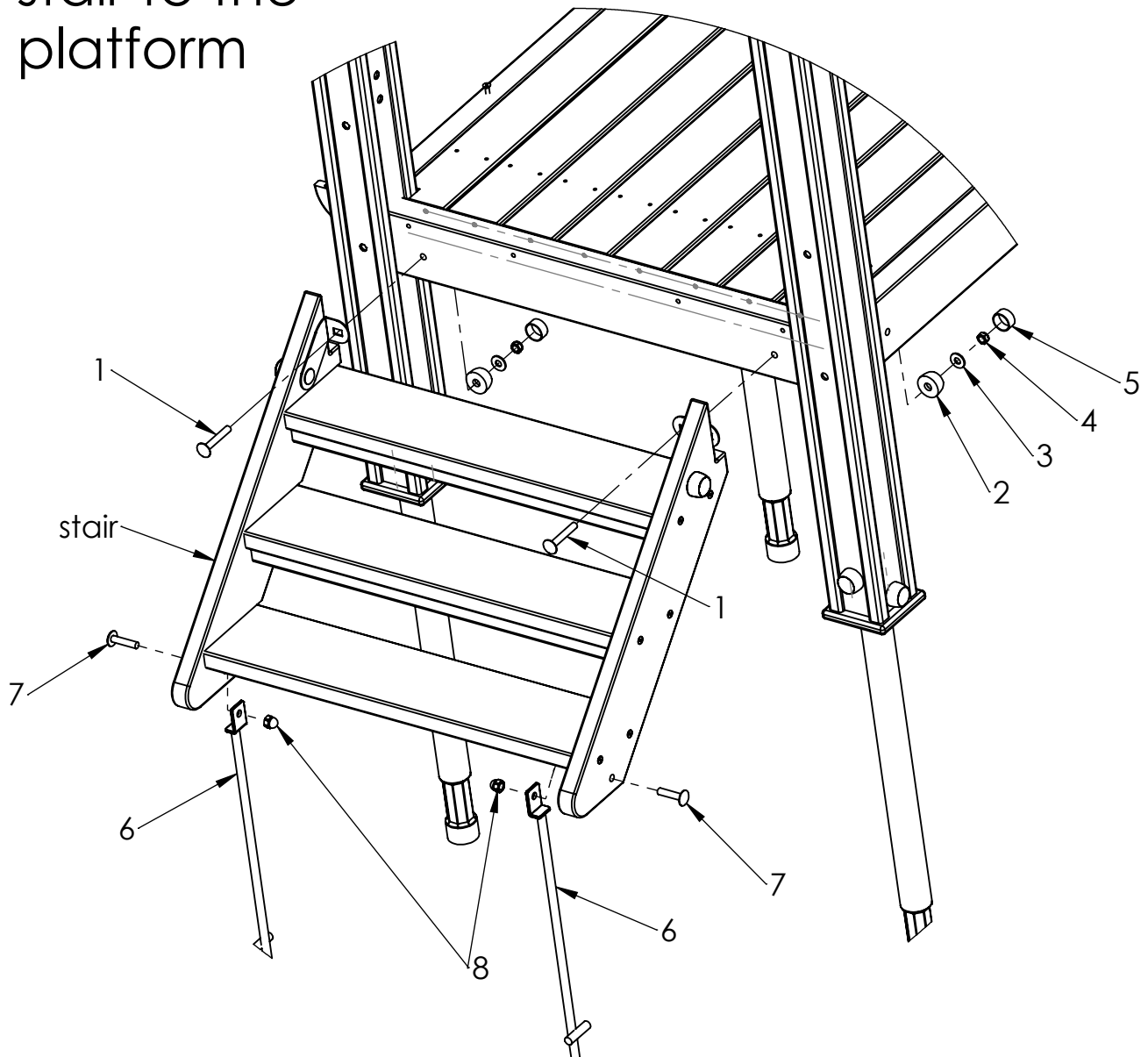
B

C

D

E

F



ITEM NO.	DESCRIPTION
1	bolt M10x65 DIN603
2	nut cover M12
3	washer M10 DIN9054
4	nut M10 DIN985
5	nut cover cap M12
6	ground fixing L-shape
7	bolt M10x45 DIN603
8	domed cap nut M10 DIN986

UNLESS OTHERWISE SPECIFIED:
DIMENSIONS ARE IN MILLIMETERS
WEIGHT ARE IN KILOGRAMM

PART NUMBER / DWG NO.:

LMK100

	NAME	SIGNATURE	DATE	REVISION
DRAWN	E.Reispere		25.09.2024	
APPV'D				

DESCRIPTION:

Sand play complex with platform

MATERIAL:

wood, metal, plastic

A4

WEIGHT:

SCALE: 1:8

SHEET 26 OF 40


Tiptap ⁰⁰

fixing the monocle

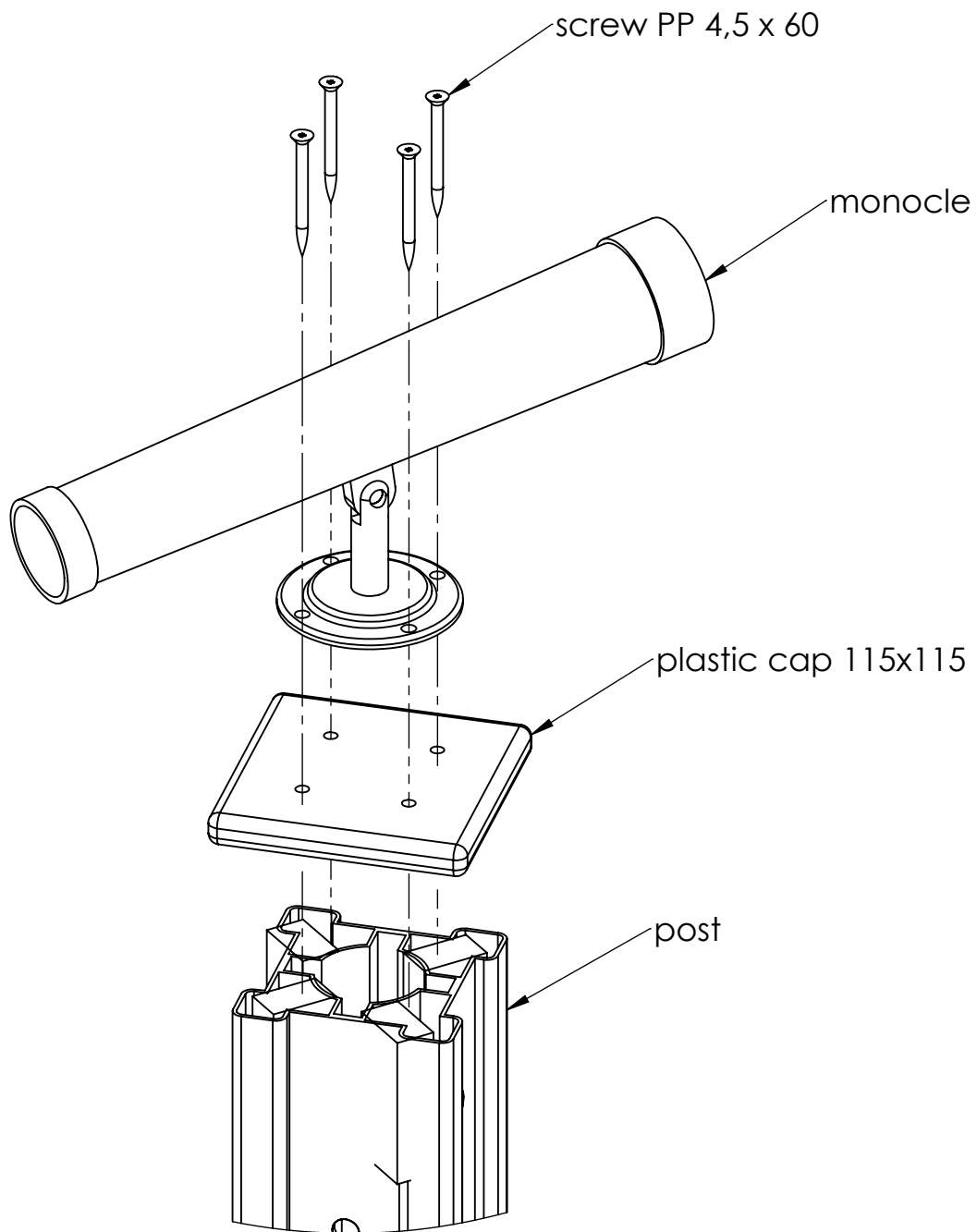
A

B

C

D

E



UNLESS OTHERWISE SPECIFIED:
 DIMENSIONS ARE IN MILLIMETERS
 WEIGHT ARE IN KILOGRAMM

PART NUMBER / DWG NO.:
LMK100

	NAME	SIGNATURE	DATE	REVISION
DRAWN	E.Reispere		25.09.2024	
APPV'D				

DESCRIPTION:
Sand play complex with platform



MATERIAL:	wood, metal, plastic	A4
WEIGHT:		
	SCALE: 1:8	SHEET 27 OF 40

A

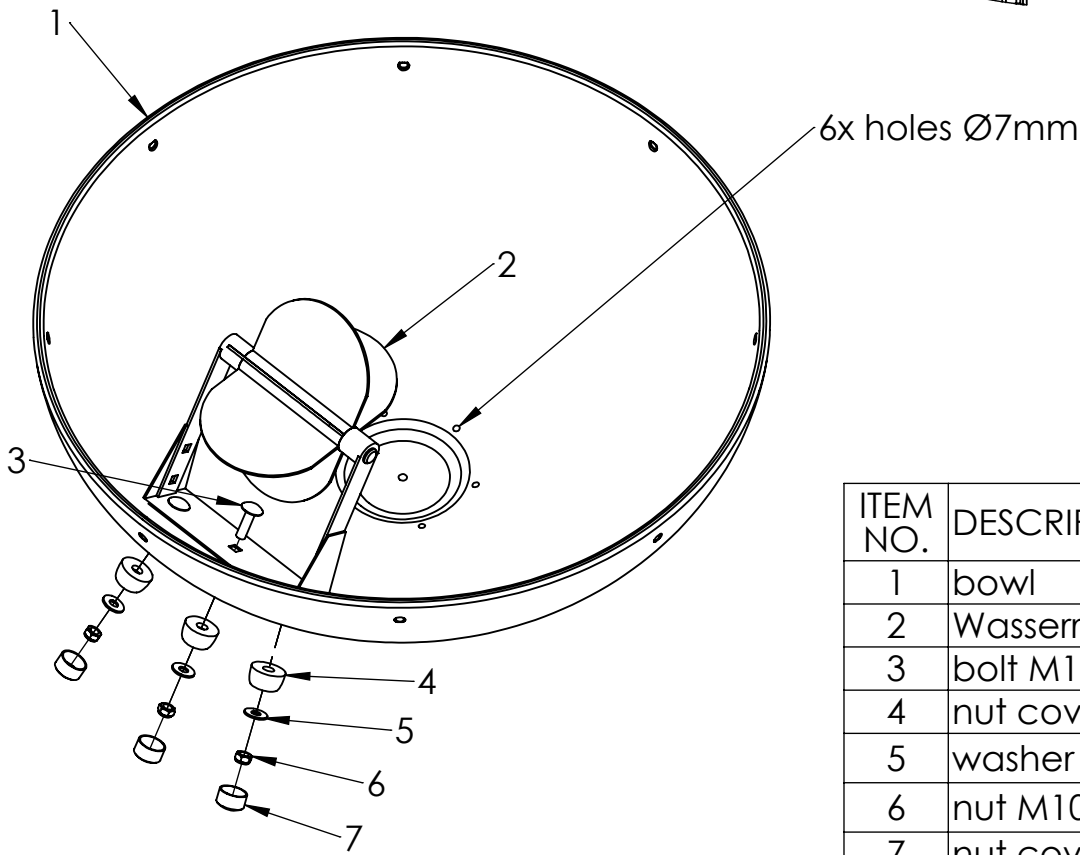
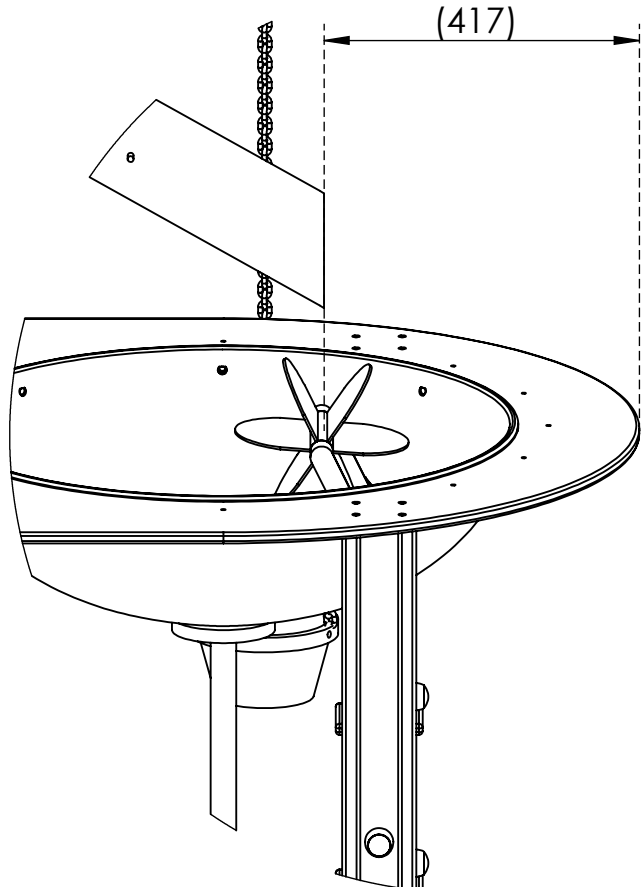
B

C

D

E

F



ITEM NO.	DESCRIPTION
1	bowl
2	Wasserrad
3	bolt M10x35 DIN603
4	nut cover M12
5	washer M10 DIN9054
6	nut M10 DIN985
7	nut cover cap M12

UNLESS OTHERWISE SPECIFIED:
 DIMENSIONS ARE IN MILLIMETERS
 WEIGHT ARE IN KILOGRAMM

PART NUMBER / DWG NO.: **LMK100**

	NAME	SIGNATURE	DATE	REVISION
DRAWN	E.Reispere		25.09.2024	
APPV'D				

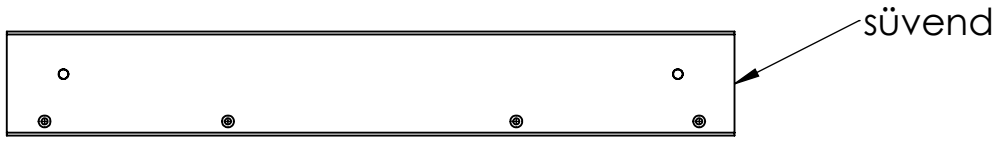
DESCRIPTION:
Sand play complex with platform



MATERIAL:	wood, metal, plastic	A4
WEIGHT:		SCALE: 1:8
		SHEET 28 OF 40

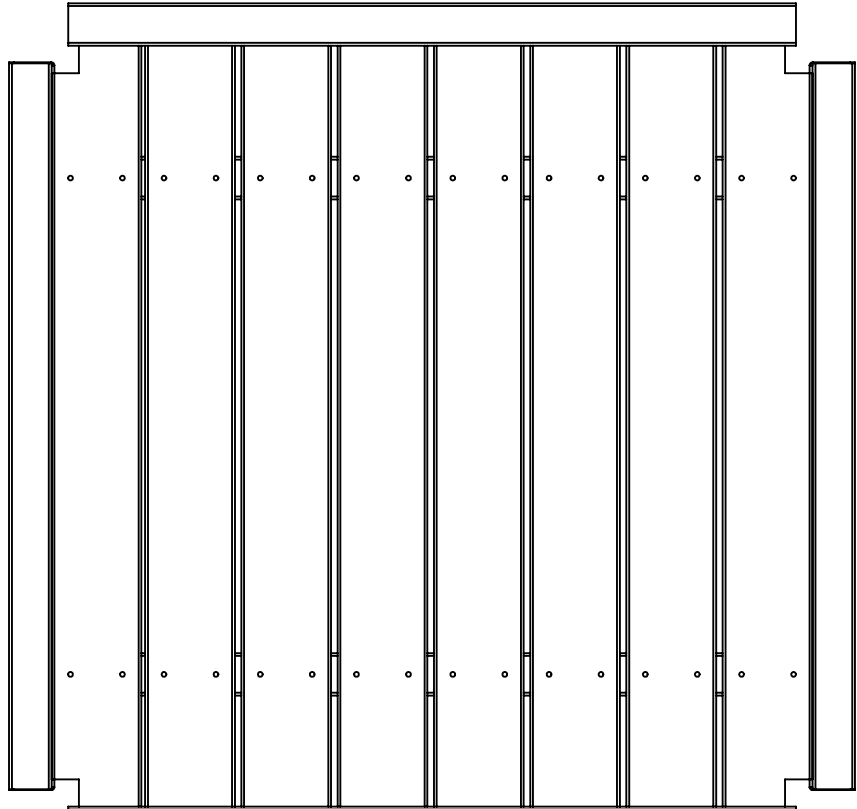
Trepi avad (stair)

A



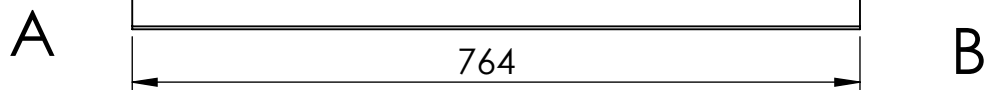
B

C D

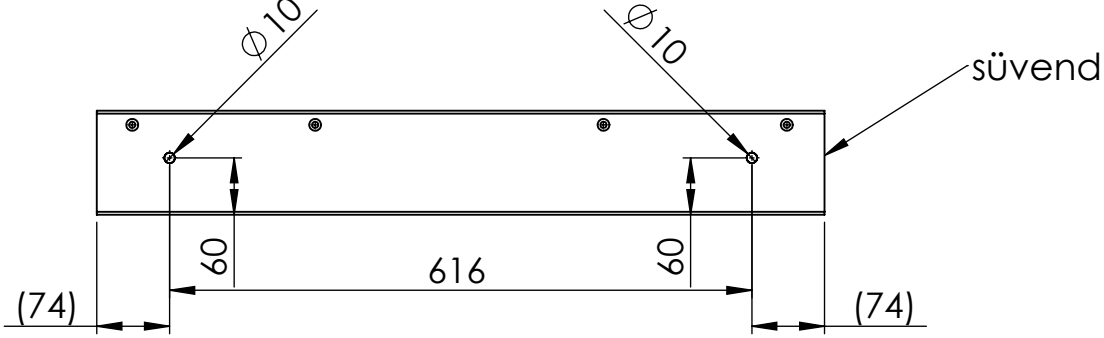


C

D



E



Kaldtee (ramp)

UNLESS OTHERWISE SPECIFIED:
 DIMENSIONS ARE IN MILLIMETERS
 WEIGHT ARE IN KILOGRAMM

PART NUMBER / DWG NO.: LMK100

	NAME	SIGNATURE	DATE	REVISION
DRAWN	E.Reispere		25.09.2024	
APPV'D				

DESCRIPTION:
 Sand play complex with platform

F

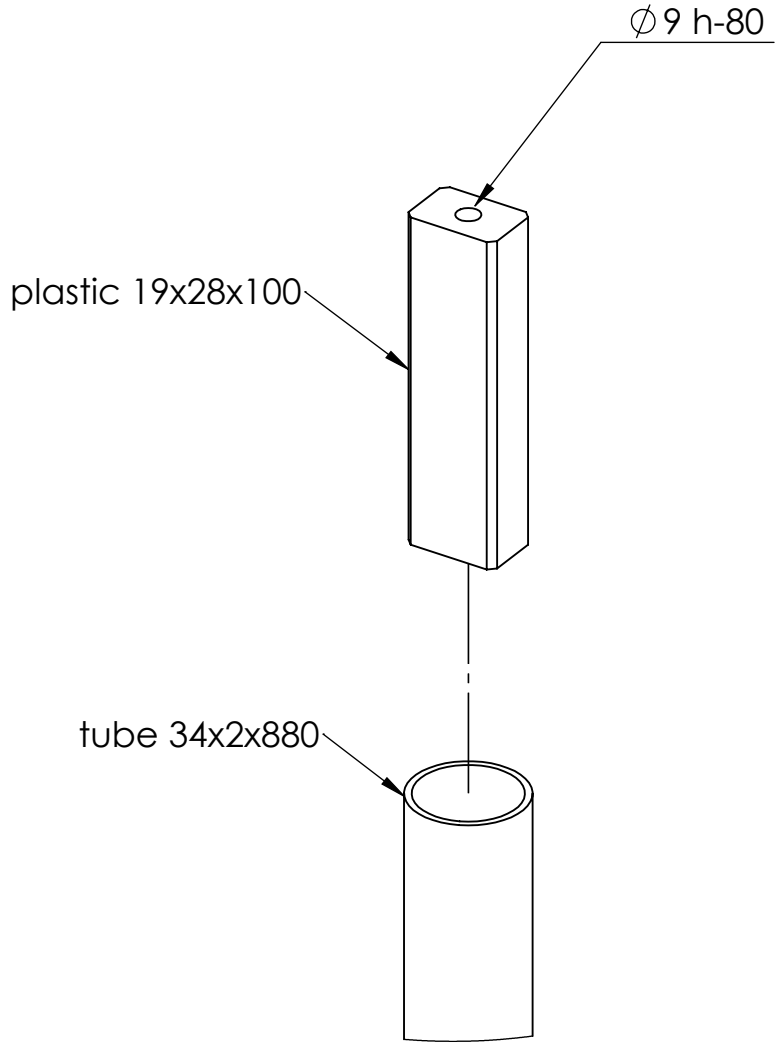
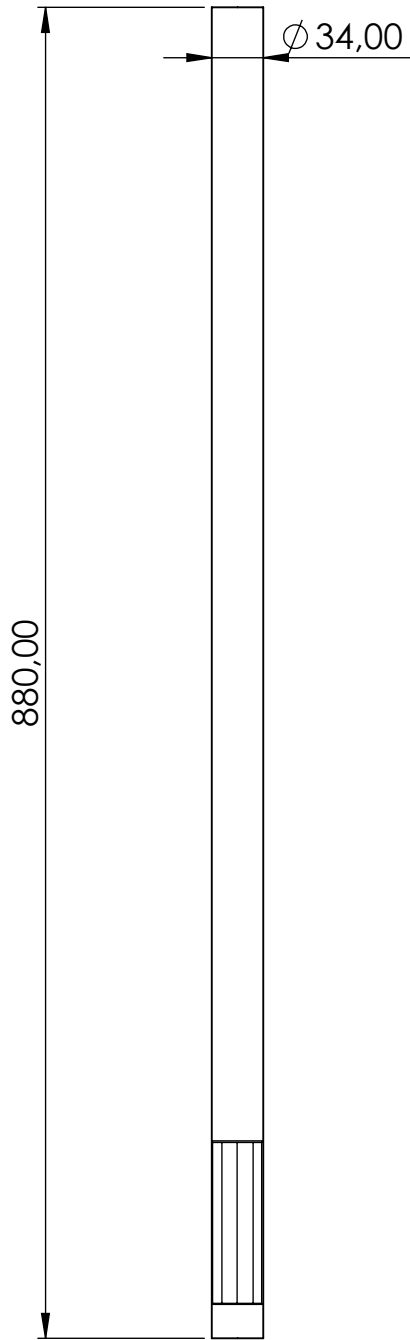


MATERIAL: wood, metal, plastic A4

WEIGHT: SCALE: 1:8 SHEET 29 OF 40

bowl groundfixing

A
B
C
D
E



UNLESS OTHERWISE SPECIFIED:
DIMENSIONS ARE IN MILLIMETERS
WEIGHT ARE IN KILOGRAMM

PART NUMBER / DWG NO.:

LMK100

	NAME	SIGNATURE	DATE	REVISION
DRAWN	E.Reispere		25.09.2024	
APPV'D				

DESCRIPTION:

Sand play complex with platform

F



Tiptiptap⁰⁰

MATERIAL:

wood, metal, plastic

A4

WEIGHT:

SCALE: 1:8

SHEET 30 OF 40