

A

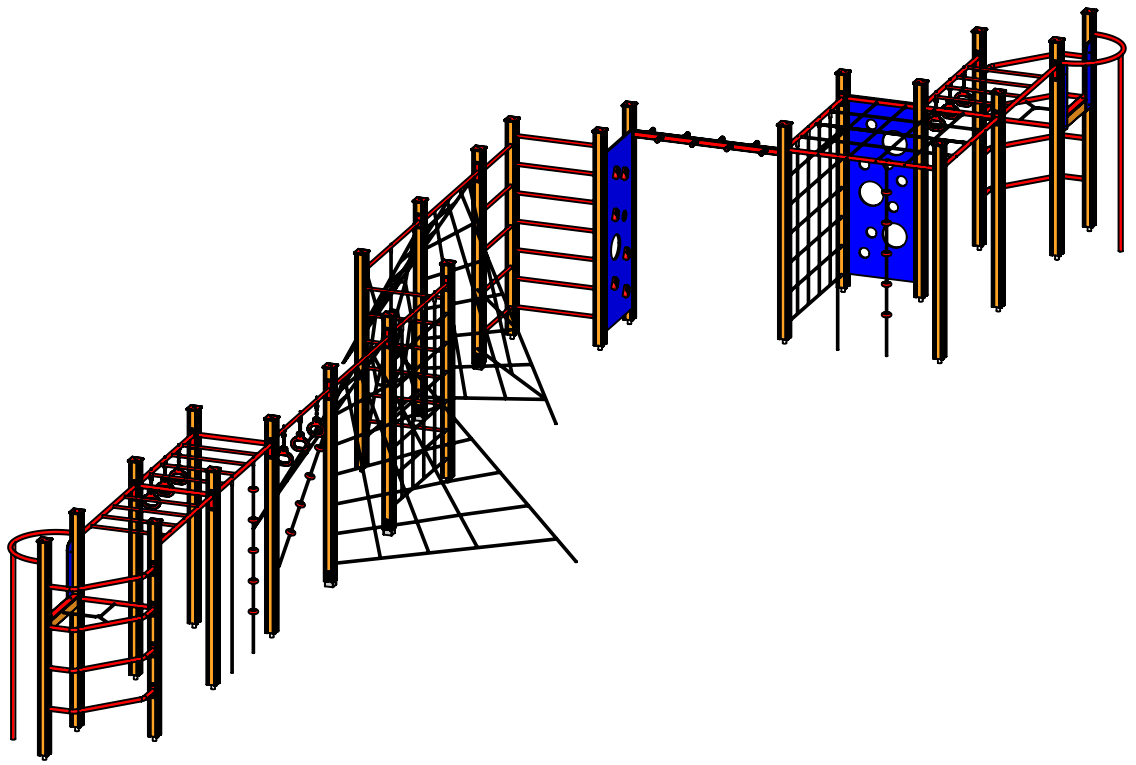
B

C

D

E

F



UNLESS OTHERWISE SPECIFIED:  
 DIMENSIONS ARE IN MILLIMETERS  
 WEIGHT ARE IN KILOGRAMM

PART NUMBER / DWG NO.:  
**RS130**

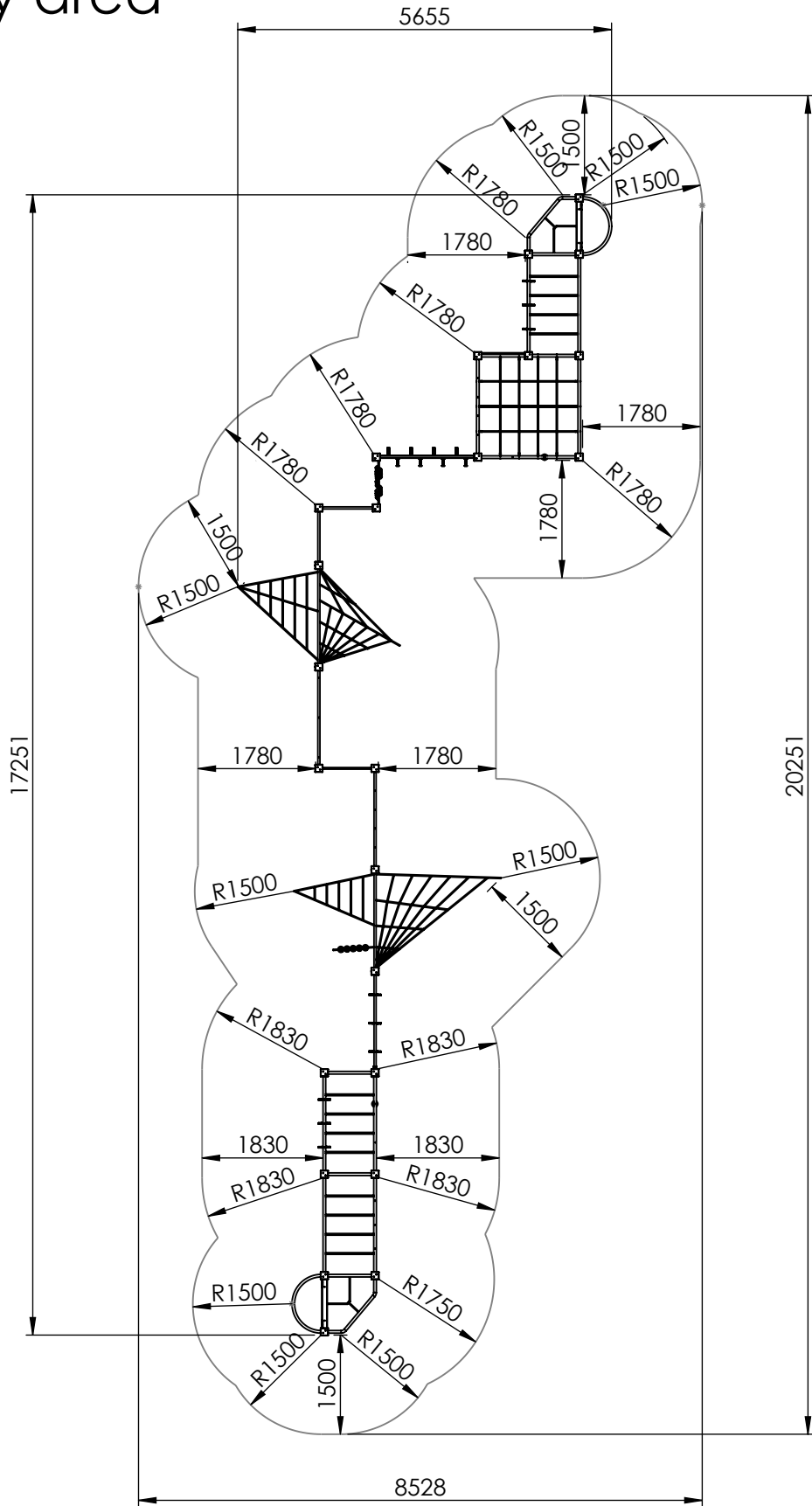
|        | NAME     | SIGNATURE | DATE       | REVISION |
|--------|----------|-----------|------------|----------|
| DRAWN  | M.Rebase |           | 06.10.2023 |          |
| APPV'D |          |           |            |          |

DESCRIPTION:  
**Climbing complex BOA**



|           |             |               |
|-----------|-------------|---------------|
| MATERIAL: |             | A4            |
| WEIGHT:   | SCALE: 1:70 | SHEET 1 OF 26 |

# safety area



UNLESS OTHERWISE SPECIFIED:  
DIMENSIONS ARE IN MILLIMETERS  
WEIGHT ARE IN KILOGRAMM

PART NUMBER / DWG NO.:

RS130

|        | NAME     | SIGNATURE | DATE       | REVISION |
|--------|----------|-----------|------------|----------|
| DRAWN  | M.Rebase |           | 06.10.2023 |          |
| APPV'D |          |           |            |          |

DESCRIPTION:

Climbing complex BOA



Tiptap OÜ

MATERIAL:

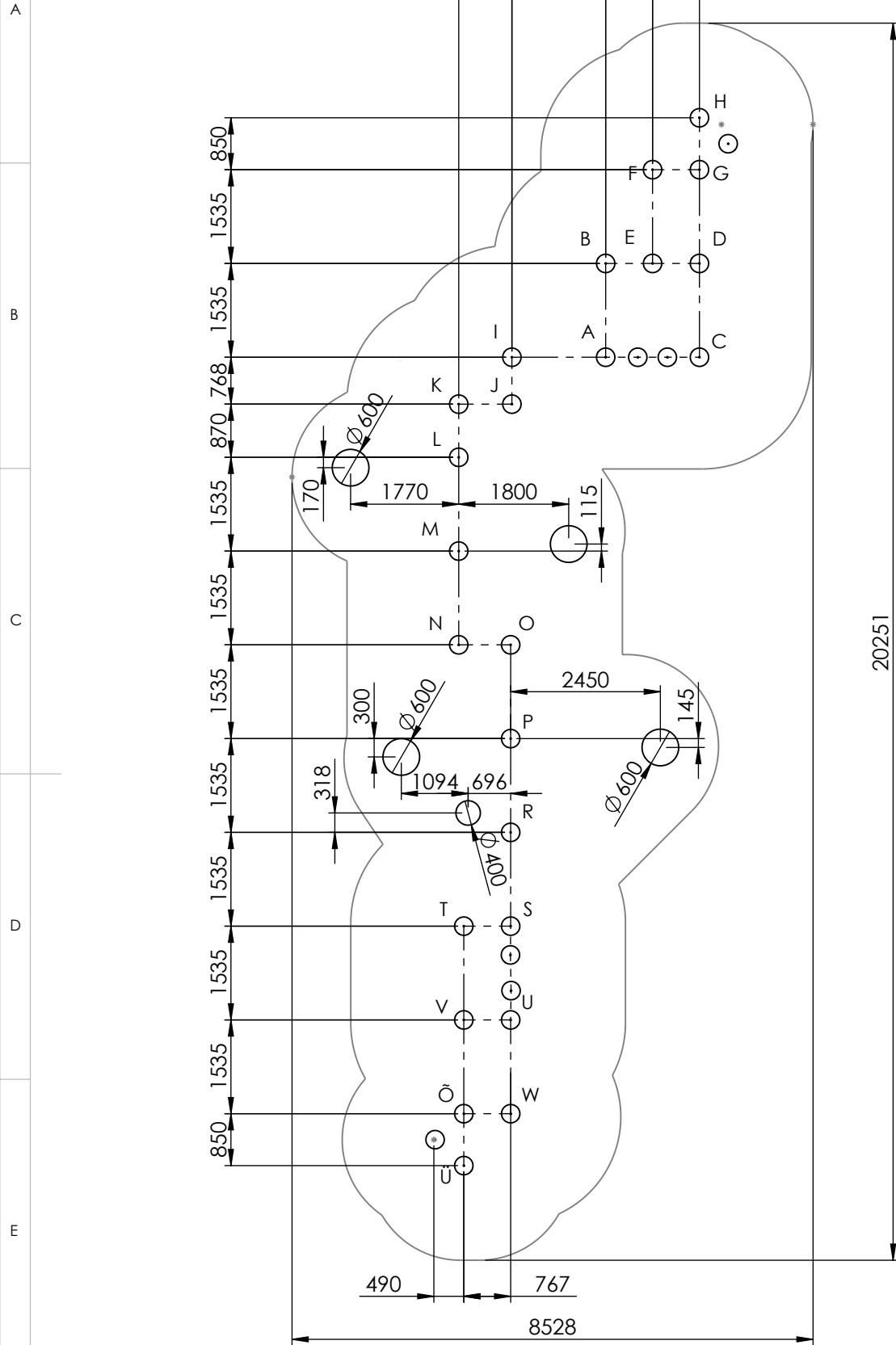
A4

WEIGHT:

SCALE: 1:100

SHEET 2 OF 26

# foundation



UNLESS OTHERWISE SPECIFIED:  
DIMENSIONS ARE IN MILLIMETERS  
WEIGHT ARE IN KILOGRAMM

PART NUMBER / DWG NO.:

RS130

|        | NAME     | SIGNATURE | DATE       | REVISION |
|--------|----------|-----------|------------|----------|
| DRAWN  | M.Rebase |           | 06.10.2023 |          |
| APPV'D |          |           |            |          |

DESCRIPTION:

Climbing complex BOA



Tiptap OÜ

MATERIAL:

A4

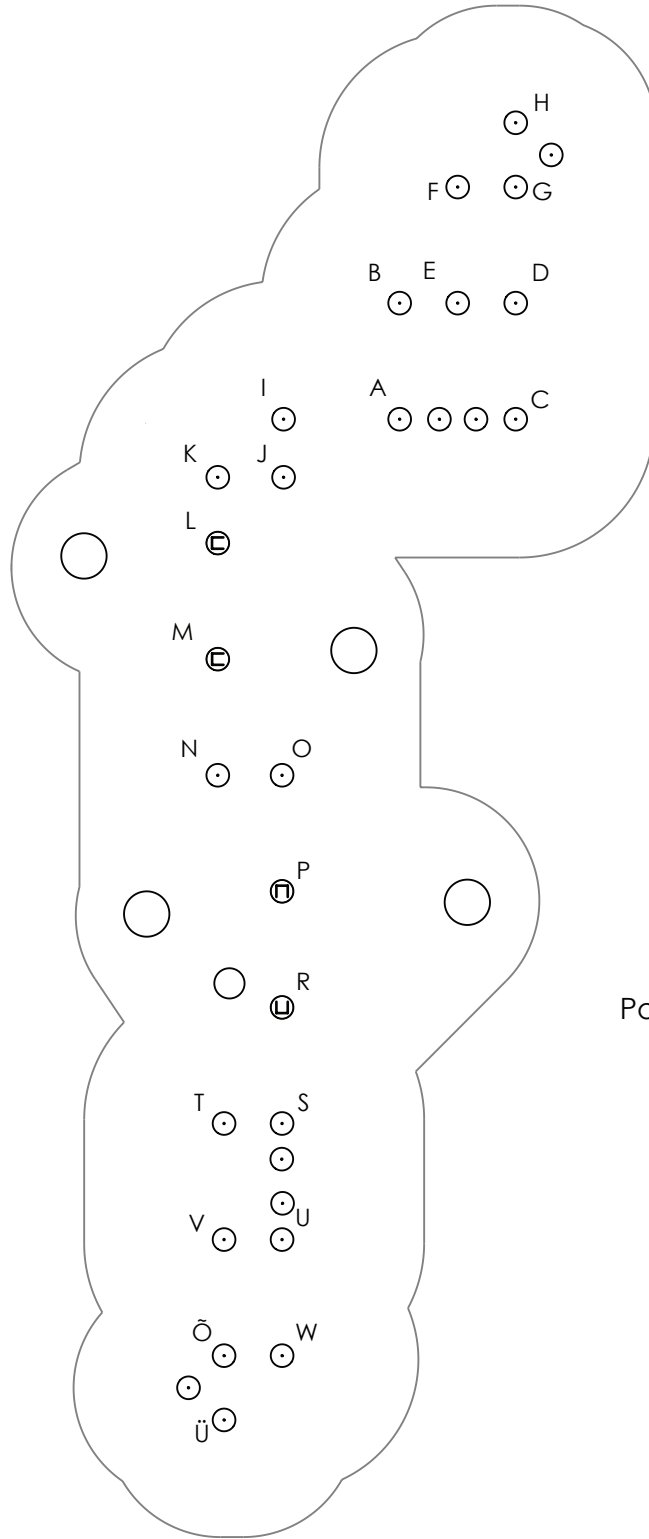
WEIGHT:

SCALE: 1:100

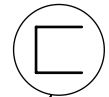
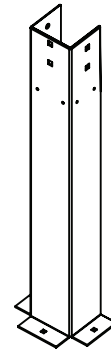
SHEET 3 OF 26

# ground fixing direction

A  
B  
C  
D  
E



Post L, M, P, R



This shows which way goes ground fixing.  
Ground fixing has to match with correct post.  
Both are marked with same letter.

UNLESS OTHERWISE SPECIFIED:  
DIMENSIONS ARE IN MILLIMETERS  
WEIGHT ARE IN KILOGRAMM

PART NUMBER / DWG NO.:

RS130

|        | NAME     | SIGNATURE | DATE       | REVISION |
|--------|----------|-----------|------------|----------|
| DRAWN  | M.Rebase |           | 06.10.2023 |          |
| APPV'D |          |           |            |          |

DESCRIPTION:

Climbing complex BOA



Tiptiptap OÜ

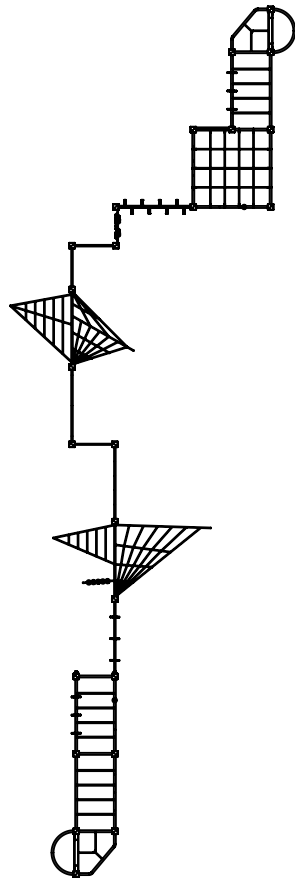
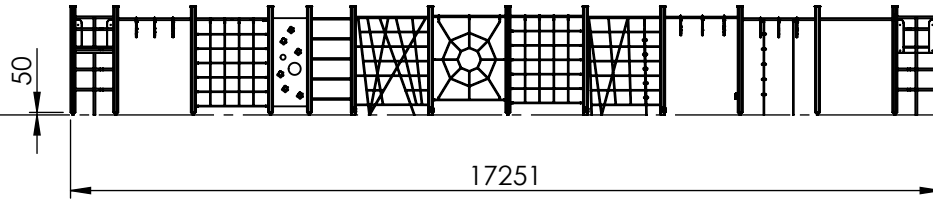
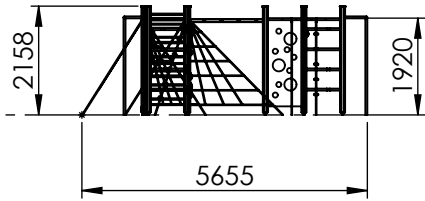
MATERIAL:

A4

WEIGHT:

SCALE: 1:100

SHEET 4 OF 26



UNLESS OTHERWISE SPECIFIED:  
DIMENSIONS ARE IN MILLIMETERS  
WEIGHT ARE IN KILOGRAMM

|        | NAME     | SIGNATURE | DATE       | REVISION |
|--------|----------|-----------|------------|----------|
| DRAWN  | M.Rebase |           | 06.10.2023 |          |
| APPV'D |          |           |            |          |

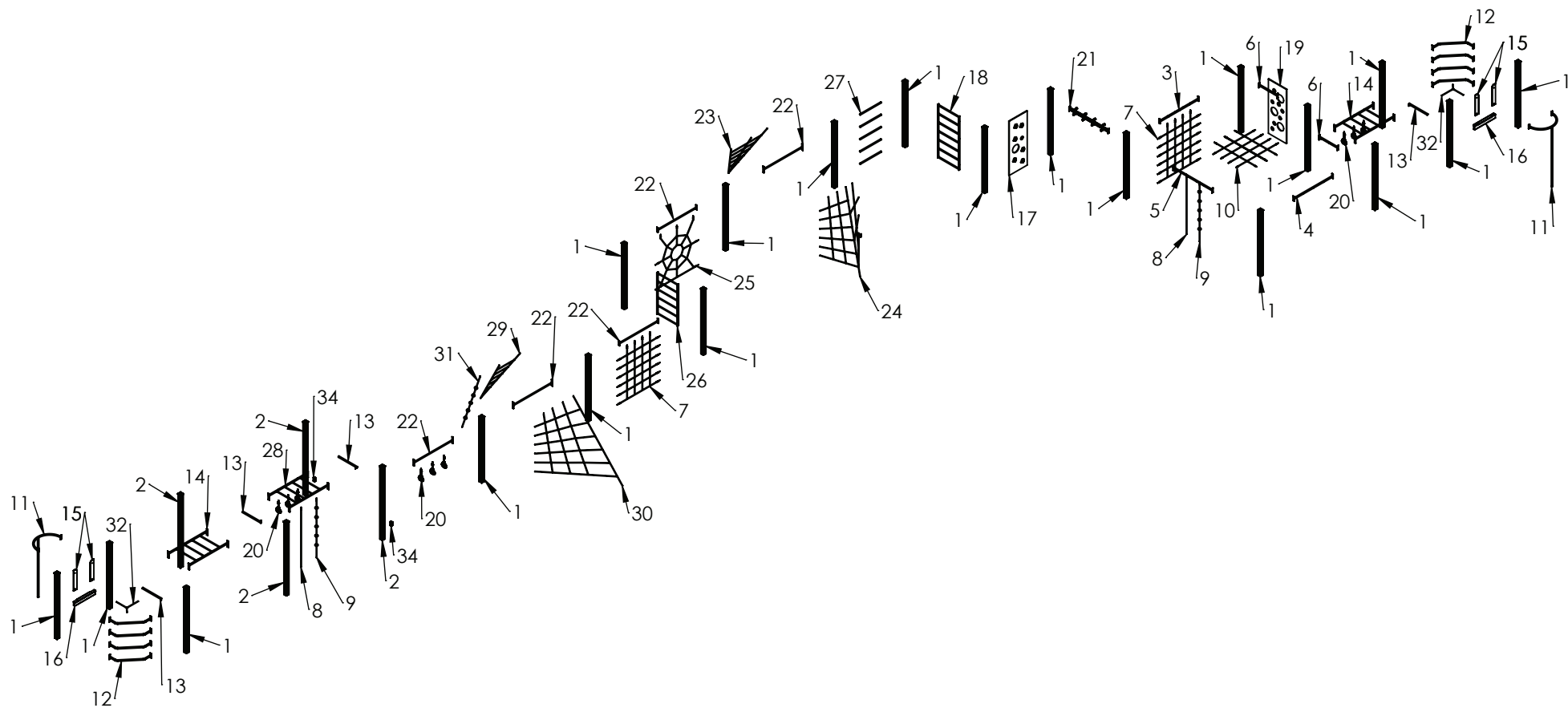


PART NUMBER / DWG NO.:  
**RS130**

DESCRIPTION:  
**Climbing complex BOA**

MATERIAL:  
**A4**

WEIGHT: SCALE: 1:150 SHEET 5 OF 26



UNLESS OTHERWISE SPECIFIED:  
 DIMENSIONS ARE IN MILLIMETERS  
 WEIGHT ARE IN KILOGRAMM

PART NUMBER / DWG NO.:  
**RS130**

|        | NAME     | SIGNATURE | DATE       | REVISION |
|--------|----------|-----------|------------|----------|
| DRAWN  | M.Rebase |           | 06.10.2023 |          |
| APPV'D |          |           |            |          |

DESCRIPTION:  
**Climbing complex BOA**



|           |               |
|-----------|---------------|
| MATERIAL: | A4            |
| WEIGHT:   | SCALE: 1:160  |
|           | SHEET 6 OF 26 |

| ITEM NO. | PART NUMBER              | QTY. |
|----------|--------------------------|------|
| 1        | post 98x98x2100          | 20   |
| 2        | post 98x98x2350          | 4    |
| 3        | beam 40x1455 A-B         | 1    |
| 4        | beam 40x1455 C-D         | 1    |
| 5        | beam 40x1455 A-C         | 1    |
| 6        | beam 40x687              | 2    |
| 7        | climbing net 1455x1702   | 2    |
| 8        | climbing rope            | 2    |
| 9        | rope with climbing knots | 2    |
| 10       | climbing net 1495x1495   | 8    |
| 11       | climbing pole            | 2    |
| 12       | beam 40x1120             | 8    |
| 13       | guardrail Ø25x770        | 4    |
| 14       | ladder 812x1455, 3 holes | 2    |
| 15       | panel 850x126            | 4    |
| 16       | beam 45x110x770          | 2    |
| 17       | climbing wall with grips | 1    |
| 18       | ladder 1730x790          | 1    |
| 19       | climbing wall            | 1    |
| 20       | hanging ring             | 9    |
| 21       | beam 45x145x1455         | 1    |
| 22       | beam 32x1455             | 5    |
| 23       | Rs 118 net A 01          | 1    |
| 24       | Rs 118 net A 02          | 1    |
| 25       | spider net               | 1    |
| 26       | climbing net C           | 1    |
| 27       | beam 33,7x800            | 5    |
| 28       | ladder 812x1455, 5 holes | 1    |
| 29       | RS119 NET 01             | 1    |
| 30       | RS119 NET 02             | 1    |
| 31       | rope with climbing knots | 1    |
| 32       | net Ø16x470x530          | 2    |
| 33       | step                     | 2    |

E

|   |          |           |            |          |
|---|----------|-----------|------------|----------|
| UNLESS OTHERWISE SPECIFIED:<br>DIMENSIONS ARE IN MILLIMETERS<br>WEIGHT ARE IN KILOGRAMM |          |           |            |          |
|   | NAME     | SIGNATURE | DATE       | REVISION |
| DRAWN   | M.Rebase |           | 06.10.2023 |          |
| APPV'D  |          |           |            |          |

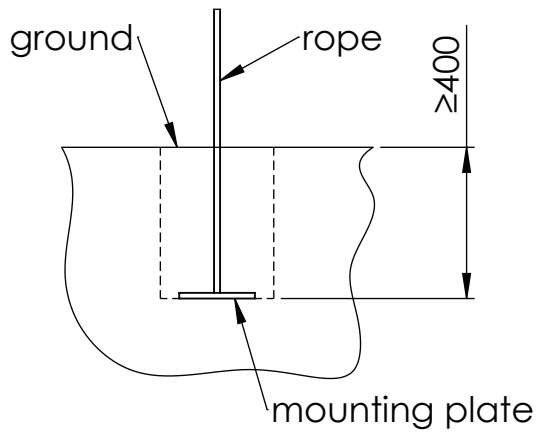
PART NUMBER / DWG NO.:  
**RS130**

DESCRIPTION:  
**Climbing complex BOA**

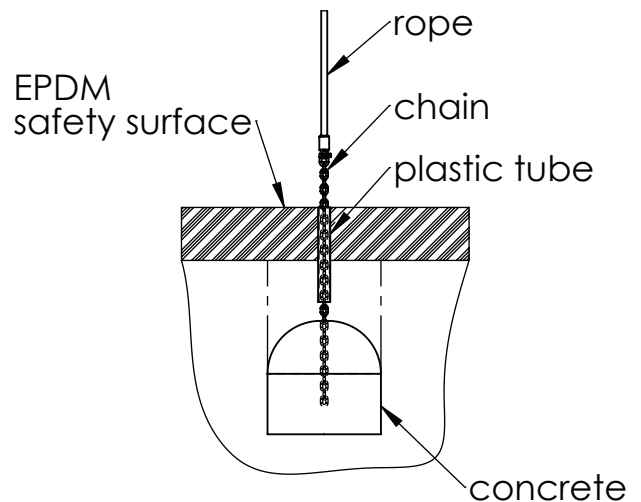
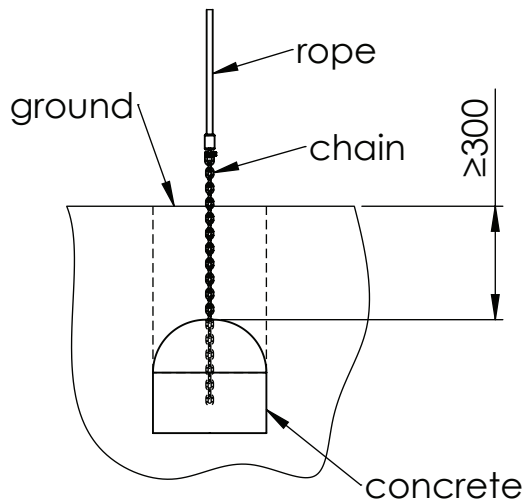


|           |               |
|-----------|---------------|
| MATERIAL: | A4            |
| WEIGHT:   | SCALE: 1:160  |
|           | SHEET 7 OF 26 |

1. Hang and fix the rope in the right place.
2. Fill the area with sand or other suitable material.



1. Hang and fix the rope in the right place and pour concrete. In the case of EPDM, first put the chain through the plastic tube.
2. Fill the area with sand or other suitable material (in the case of EPDM, cut the plastic tube to the same level with the surface)



UNLESS OTHERWISE SPECIFIED:  
DIMENSIONS ARE IN MILLIMETERS  
WEIGHT ARE IN KILOGRAMM

PART NUMBER / DWG NO.:

RS130

|        | NAME     | SIGNATURE | DATE       | REVISION |
|--------|----------|-----------|------------|----------|
| DRAWN  | M.Rebase |           | 06.10.2023 |          |
| APPV'D |          |           |            |          |

DESCRIPTION:

Climbing complex BOA



Tiptiptap OÜ

MATERIAL:

A4

WEIGHT:

SCALE: 1:160

SHEET 8 OF 26



A

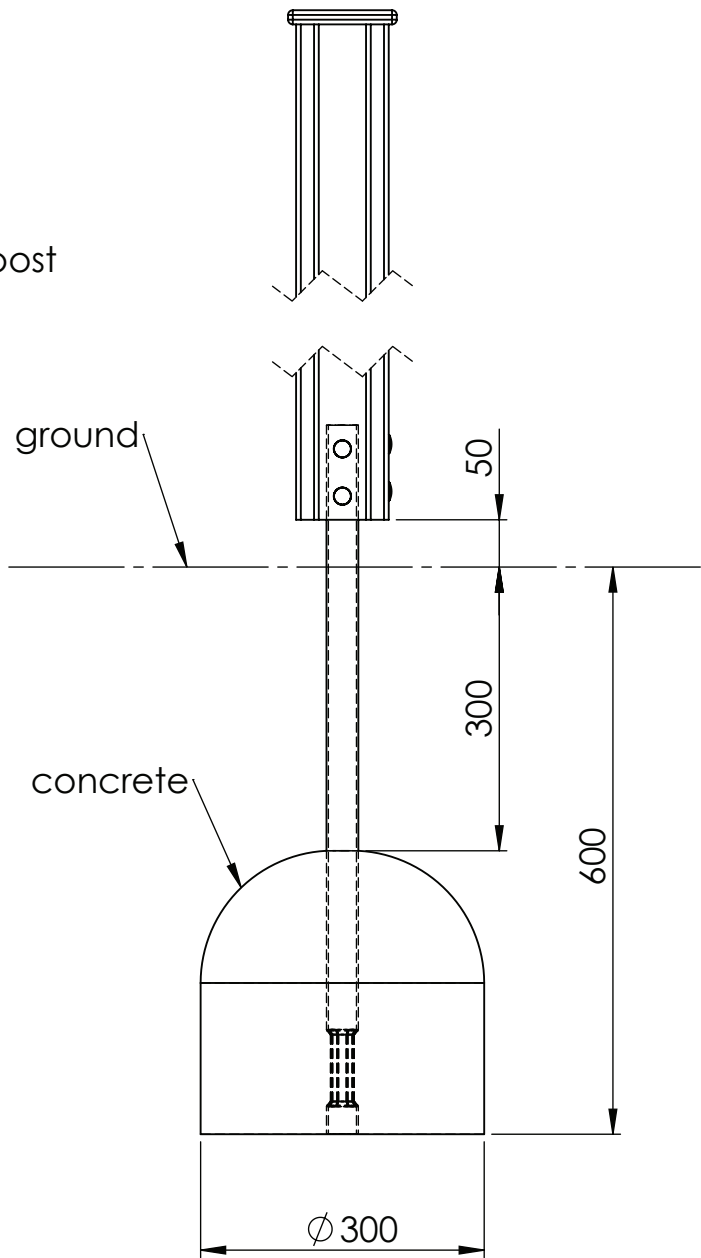
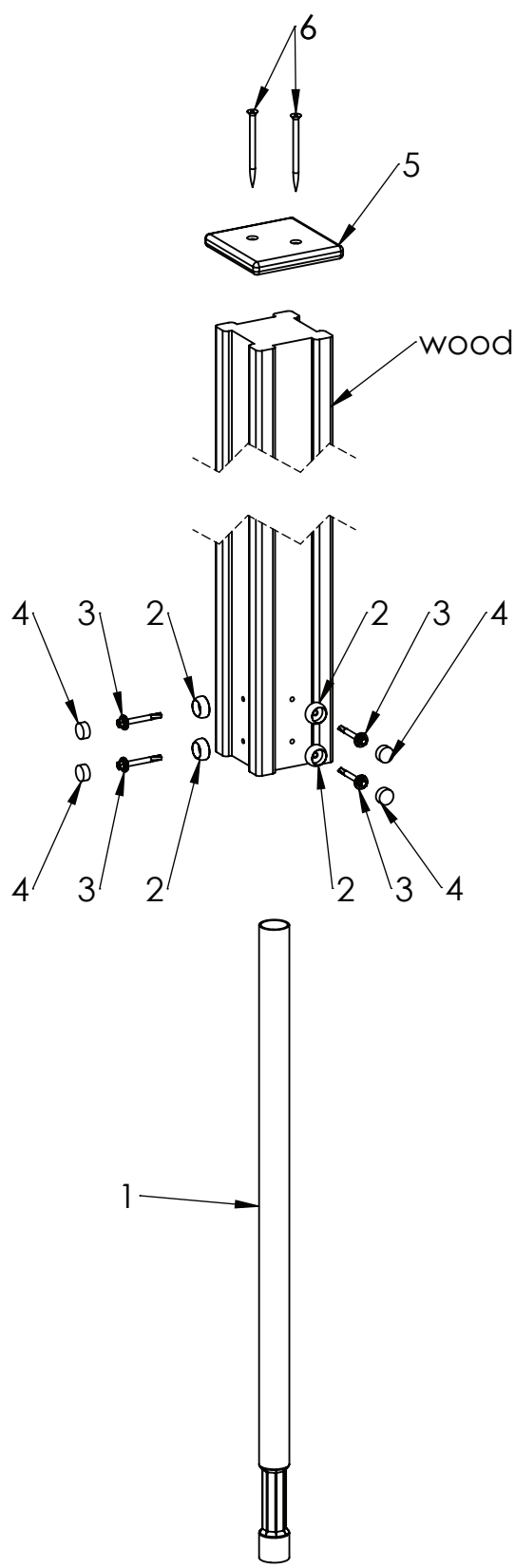
B

C

D

E

F



| ITEM NO. | PART NUMBER               |
|----------|---------------------------|
| 1        | metal ground fixing L_750 |
| 2        | nut cover M6              |
| 3        | screw 5,5x50 DIN7504K     |
| 4        | nut cover cap M6          |
| 5        | plastic cap 115x115       |
| 6        | wood screw 6 x 90         |

|   |          |           |            |          |
|---|----------|-----------|------------|----------|
| UNLESS OTHERWISE SPECIFIED:<br>DIMENSIONS ARE IN MILLIMETERS<br>WEIGHT ARE IN KILOGRAMM |          |           |            |          |
|   | NAME     | SIGNATURE | DATE       | REVISION |
| DRAWN   | M.Rebase |           | 06.10.2023 |          |
| APPV'D  |          |           |            |          |

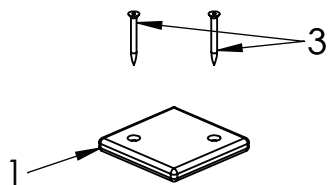
|                        |                      |
|------------------------|----------------------|
| PART NUMBER / DWG NO.: | RS130                |
| DESCRIPTION:           | Climbing complex BOA |



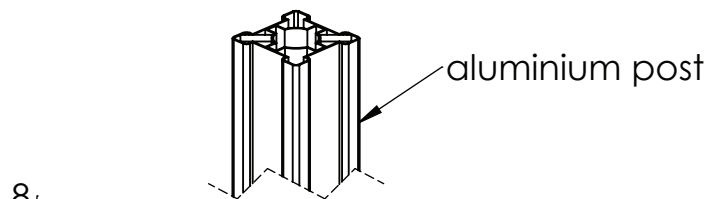
**Tiptiptap** OÜ

|           |               |
|-----------|---------------|
| MATERIAL: | A4            |
| WEIGHT:   | SCALE: 1:160  |
|           | SHEET 9 OF 26 |

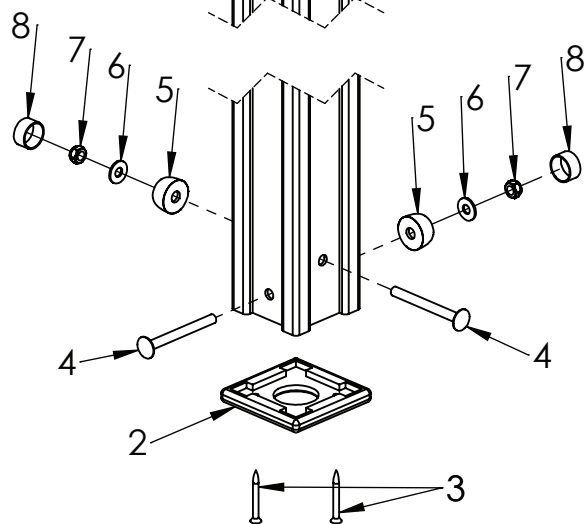
A



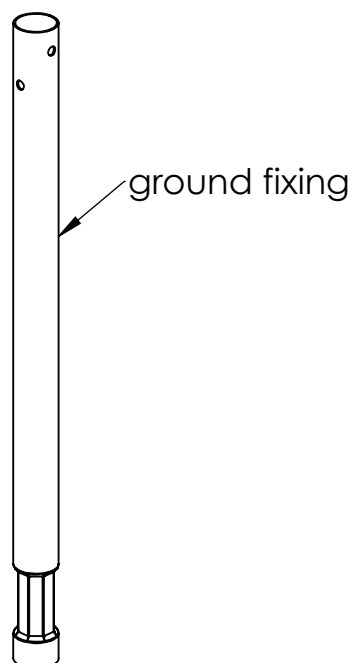
B



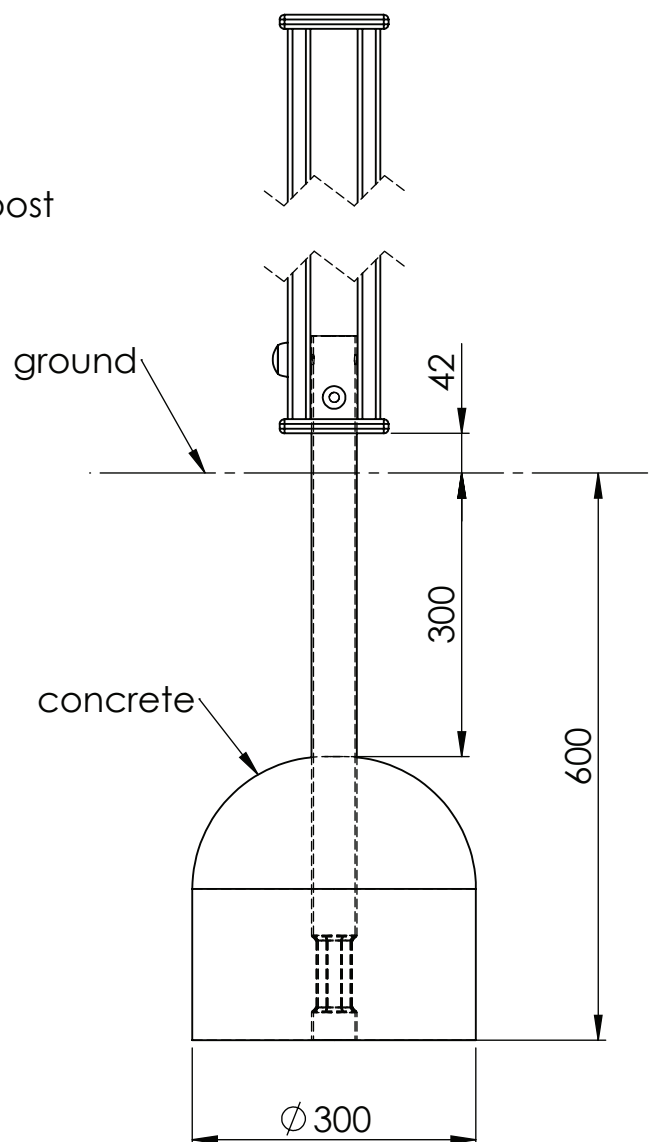
C



D



E



| ITEM NO. | PART NUMBER                   |
|----------|-------------------------------|
| 1        | plastic cap 115x115           |
| 2        | plastic cap 115x115 with hole |
| 3        | wood screw 6 x 60             |
| 4        | bolt M10x100 DIN603           |
| 5        | nut cover M12                 |
| 6        | washer M10 DIN9054            |
| 7        | nut M10 DIN985                |
| 8        | nut cover cap M12             |

UNLESS OTHERWISE SPECIFIED:  
DIMENSIONS ARE IN MILLIMETERS  
WEIGHT ARE IN KILOGRAMM

PART NUMBER / DWG NO.:

RS130

|        | NAME     | SIGNATURE | DATE       | REVISION |
|--------|----------|-----------|------------|----------|
| DRAWN  | M.Rebase |           | 06.10.2023 |          |
| APPV'D |          |           |            |          |

DESCRIPTION:

Climbing complex BOA

F



Tiptap OÜ

MATERIAL:

A4

WEIGHT:

SCALE: 1:160

SHEET 10 OF 26

Post L, M, P, R

A

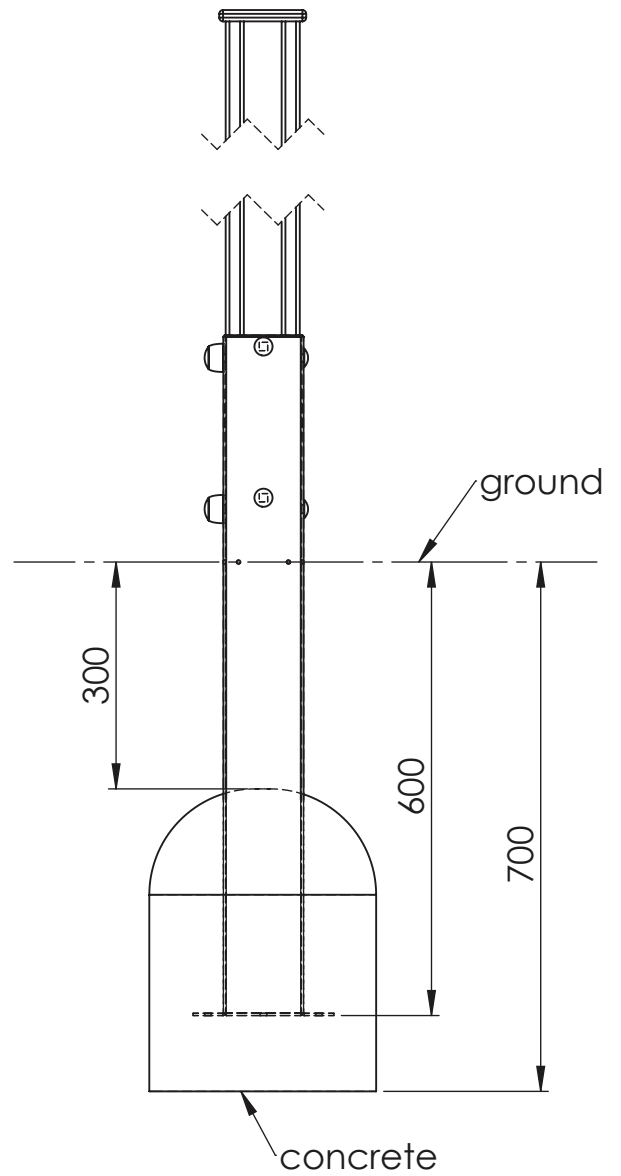
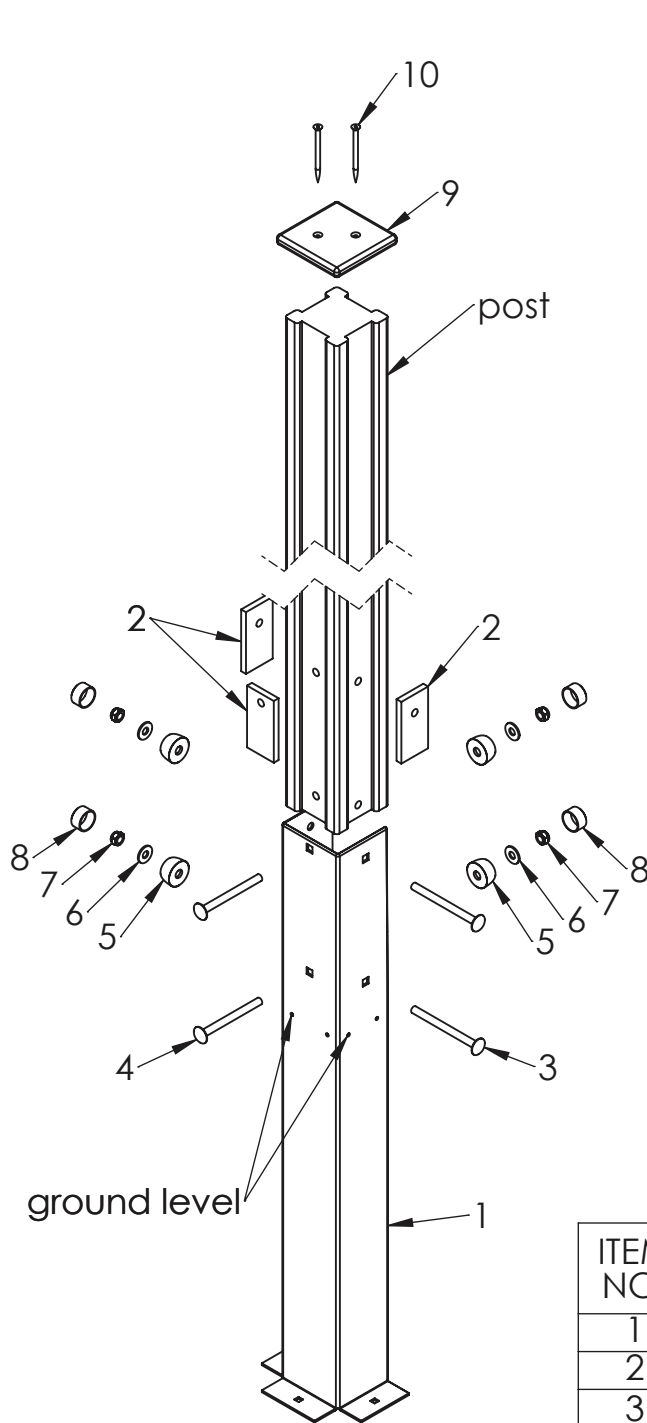
B

C

D

E

F



| ITEM NO. | PART NUMBER   |
|----------|---|
| 1        | ground fixture L-900  |
| 2        | plastic detail for ground fixture                                     |
| 3        | bolt M10x120 DIN603   |
| 4        | bolt M10x110 DIN603   |
| 5        | nut cover M12   |
| 6        | washer M10 DIN9054  |
| 7        | nut M10 DIN985  |
| 8        | nut cover cap M12   |
| 9        | plastic cap 115x115   |
| 10       | wood screw 6x90 for wooden post<br>wood screw 6x90 for aluminium post |

UNLESS OTHERWISE SPECIFIED:  
DIMENSIONS ARE IN MILLIMETERS  
WEIGHT ARE IN KILOGRAMM

PART NUMBER / DWG NO.:

RS130

|        | NAME     | SIGNATURE | DATE       | REVISION |
|--------|----------|-----------|------------|----------|
| DRAWN  | M.Rebase |           | 06.10.2023 |          |
| APPV'D |          |           |            |          |

DESCRIPTION:

Climbing complex BOA



Tiptap OÜ

MATERIAL:

A4

WEIGHT:

SCALE: 1:160

SHEET 11 OF 26

A

The tubes have to be at the same height

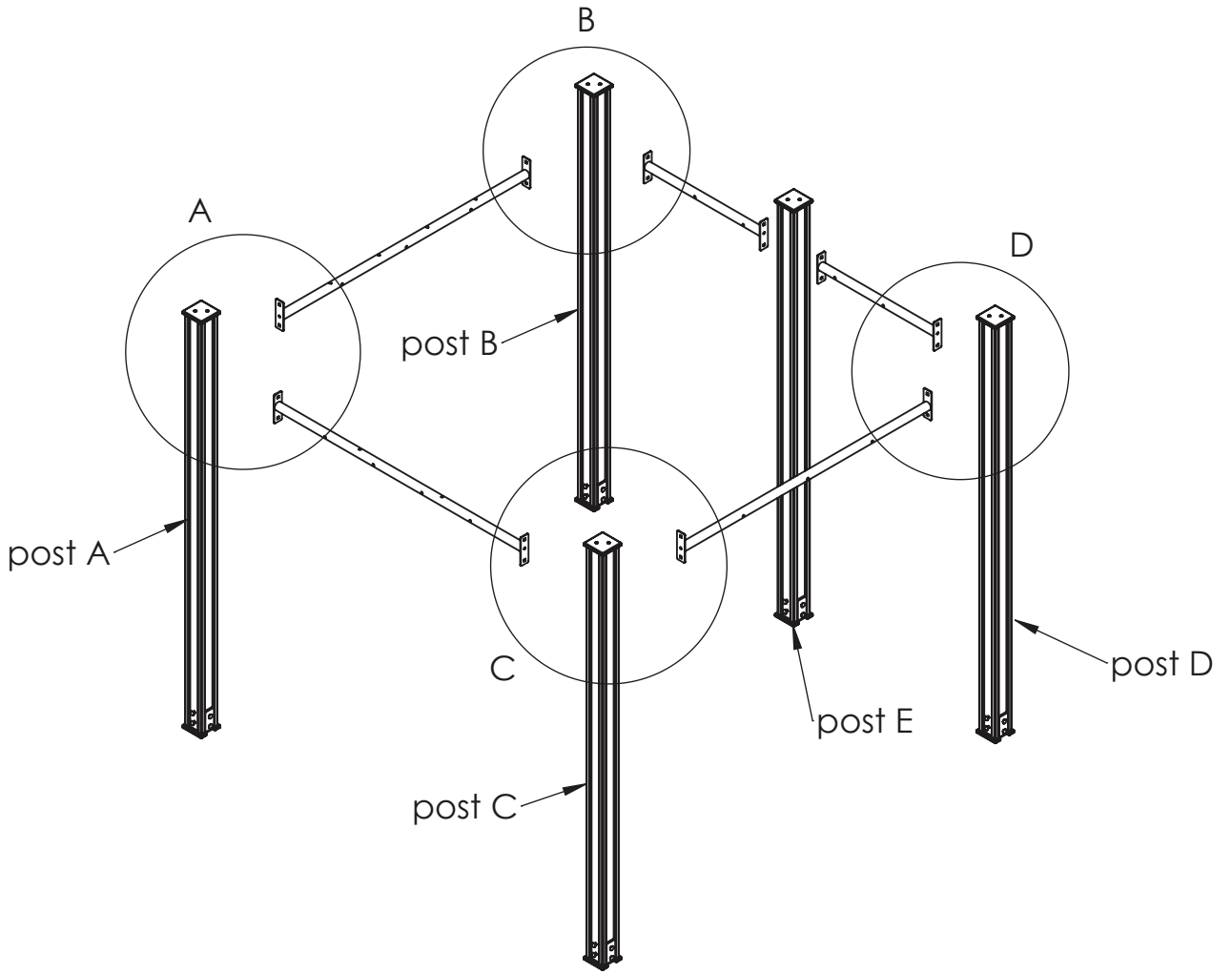
B

C

D

E

F



UNLESS OTHERWISE SPECIFIED:  
 DIMENSIONS ARE IN MILLIMETERS  
 WEIGHT ARE IN KILOGRAMM

PART NUMBER / DWG NO.:

RS130

|        | NAME     | SIGNATURE | DATE       | REVISION |
|--------|----------|-----------|------------|----------|
| DRAWN  | M.Rebase |           | 06.10.2023 |          |
| APPV'D |          |           |            |          |

DESCRIPTION:

Climbing complex BOA



Tiptiptap<sup>ÖÜ</sup>

MATERIAL:

A4

WEIGHT:

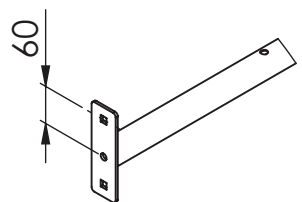
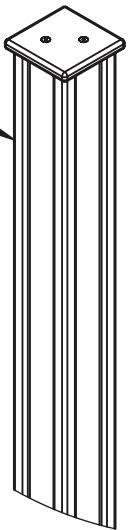
SCALE: 1:160

SHEET 12 OF 26

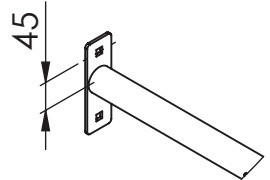
A

DETAIL A  
SCALE 1 : 10

post A



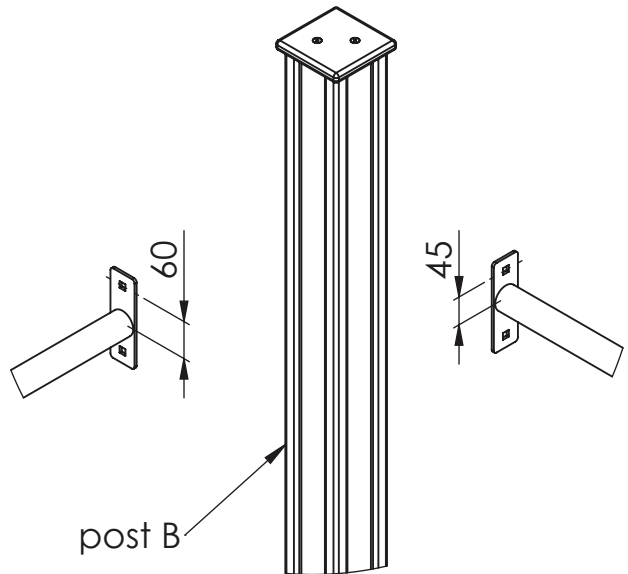
B



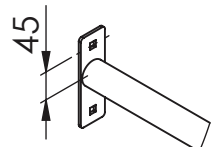
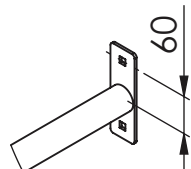
C

DETAIL B  
SCALE 1 : 10

D



post B



E

|   |          |           |            |          |
|---|----------|-----------|------------|----------|
| UNLESS OTHERWISE SPECIFIED:<br>DIMENSIONS ARE IN MILLIMETERS<br>WEIGHT ARE IN KILOGRAMM |          |           |            |          |
|   | NAME     | SIGNATURE | DATE       | REVISION |
| DRAWN   | M.Rebase |           | 06.10.2023 |          |
| APPV'D  |          |           |            |          |

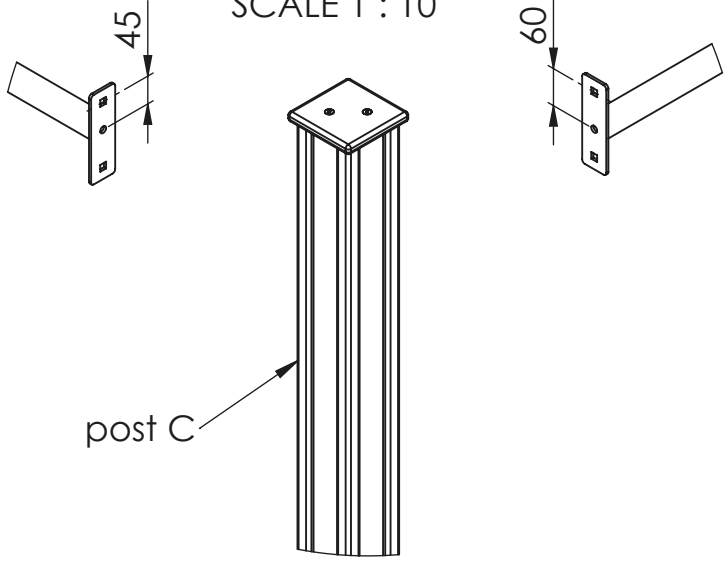
|                        |                      |
|------------------------|----------------------|
| PART NUMBER / DWG NO.: | RS130                |
| DESCRIPTION:           | Climbing complex BOA |

 **Tiptiptap** <sup>ÖÜ</sup>

|           |                |
|-----------|----------------|
| MATERIAL: | A4             |
| WEIGHT:   | SCALE: 1:160   |
|           | SHEET 13 OF 26 |

A

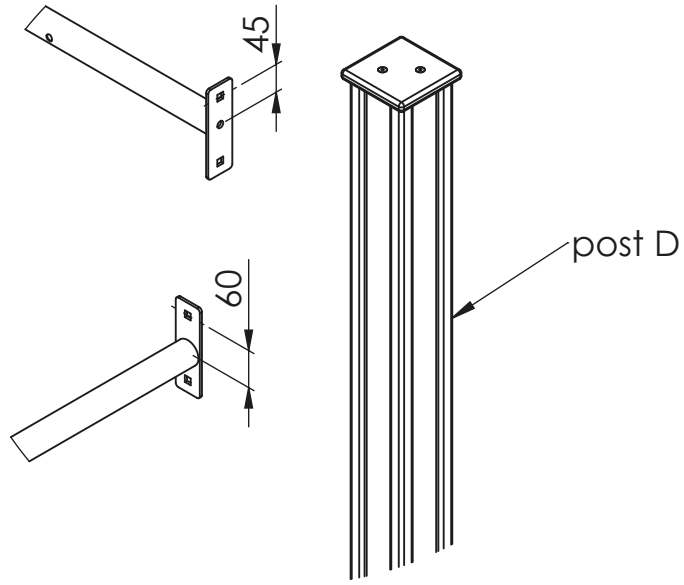
DETAIL C  
SCALE 1 : 10



B

C

DETAIL D  
SCALE 1 : 10



D

E

F

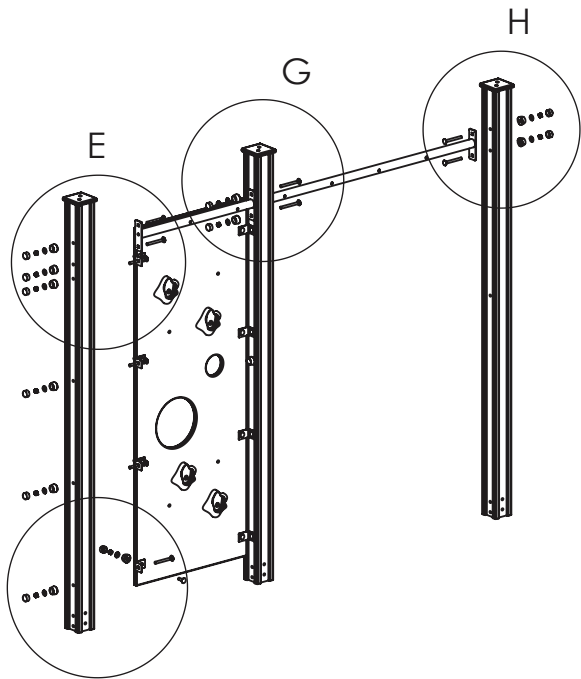
|   |          |           |            |          |
|---|----------|-----------|------------|----------|
| UNLESS OTHERWISE SPECIFIED:<br>DIMENSIONS ARE IN MILLIMETERS<br>WEIGHT ARE IN KILOGRAMM |          |           |            |          |
|   | NAME     | SIGNATURE | DATE       | REVISION |
| DRAWN   | M.Rebase |           | 06.10.2023 |          |
| APPV'D  |          |           |            |          |

|                        |                      |
|------------------------|----------------------|
| PART NUMBER / DWG NO.: | RS130                |
| DESCRIPTION:           | Climbing complex BOA |

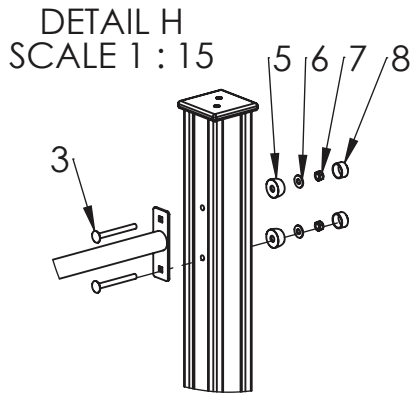


|                |              |
|----------------|--------------|
| MATERIAL:      | A4           |
| WEIGHT:        | SCALE: 1:160 |
| SHEET 14 OF 26 |              |

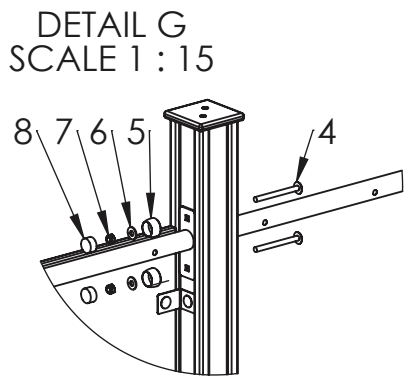
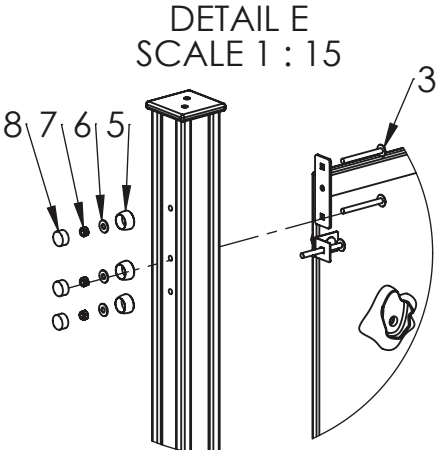
A



B

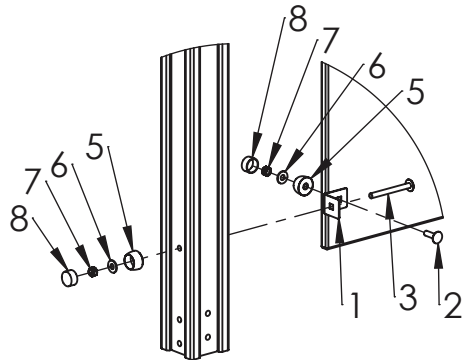


C



D

DETAIL F  
SCALE 1 : 15



E

| ITEM NO. | PART NUMBER         |
|----------|---------------------|
| 1        | corner 48x60        |
| 2        | bolt M10x35 DIN603  |
| 3        | bolt M10x100 DIN603 |
| 4        | bolt M10x110 DIN603 |
| 5        | nut cover M12       |
| 6        | washer M10 DIN9054  |
| 7        | nut M10 DIN985      |
| 8        | nut cover cap M12   |

F

UNLESS OTHERWISE SPECIFIED:  
DIMENSIONS ARE IN MILLIMETERS  
WEIGHT ARE IN KILOGRAMM

| NAME           | SIGNATURE | DATE       | REVISION |
|----------------|-----------|------------|----------|
| DRAWN M.Rebase |           | 06.10.2023 |          |
| APPV'D         |           |            |          |

PART NUMBER / DWG NO.:  
**RS130**

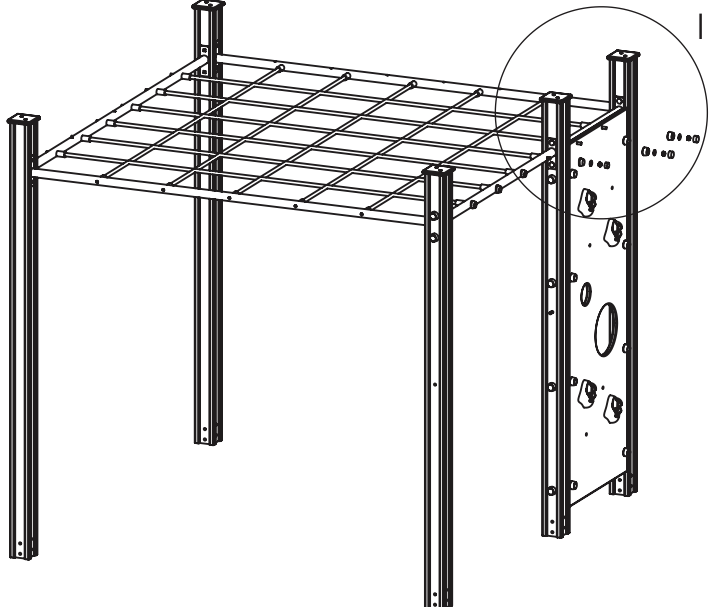
DESCRIPTION:  
**Climbing complex BOA**



**Tiptap** OÜ

|           |                             |
|-----------|-----------------------------|
| MATERIAL: | A4                          |
| WEIGHT:   | SCALE: 1:160 SHEET 15 OF 26 |

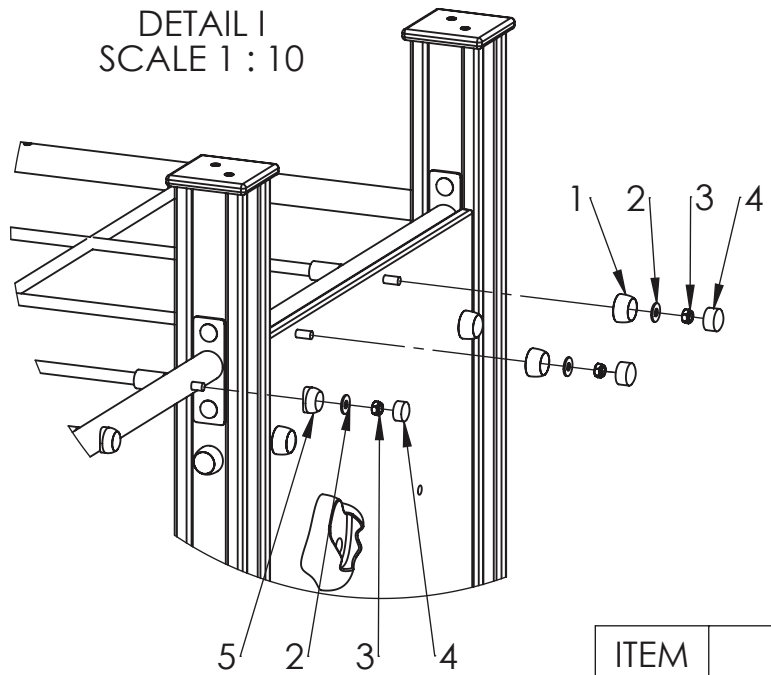
A



B

C

DETAIL I  
SCALE 1 : 10



D

E

| ITEM NO. | PART NUMBER            |
|----------|------------------------|
| 1        | nut cover M12          |
| 2        | washer M10 DIN9054     |
| 3        | nut M10 DIN985         |
| 4        | nut cover cap M12      |
| 5        | nut cover M12 for beam |

UNLESS OTHERWISE SPECIFIED:  
DIMENSIONS ARE IN MILLIMETERS  
WEIGHT ARE IN KILOGRAMM

|                        |       |
|------------------------|-------|
| PART NUMBER / DWG NO.: | RS130 |
|------------------------|-------|

|        | NAME     | SIGNATURE | DATE       | REVISION |
|--------|----------|-----------|------------|----------|
| DRAWN  | M.Rebase |           | 06.10.2023 |          |
| APPV'D |          |           |            |          |

|              |                      |
|--------------|----------------------|
| DESCRIPTION: | Climbing complex BOA |
|--------------|----------------------|

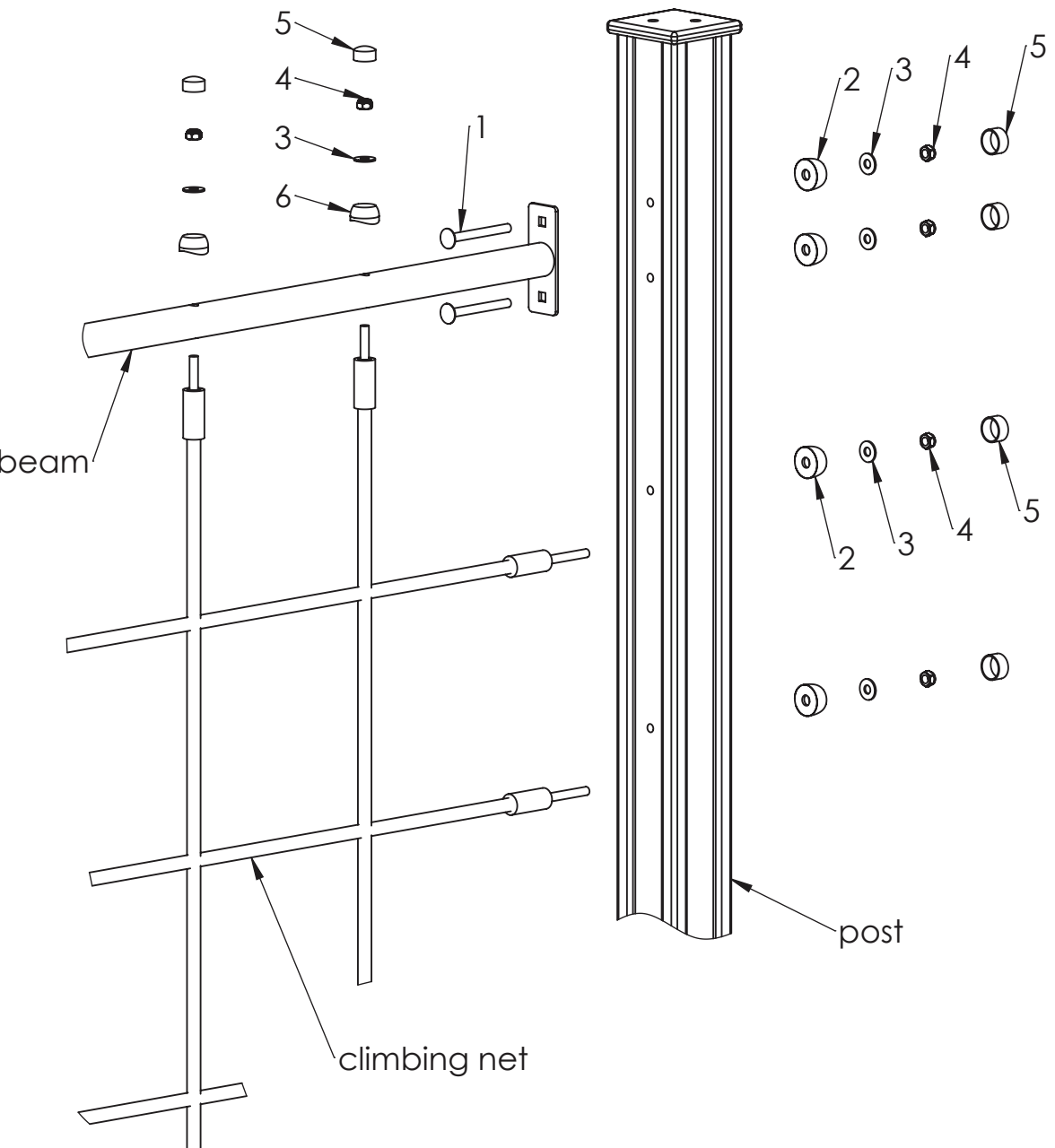
F



**Tiptiptap** OÜ

|           |                |
|-----------|----------------|
| MATERIAL: | A4             |
| WEIGHT:   | SCALE: 1:160   |
|           | SHEET 16 OF 26 |





| ITEM NO. | PART NUMBER            |
|----------|------------------------|
| 1        | bolt M10x100 DIN603    |
| 2        | nut cover M12          |
| 3        | washer M10 DIN9054     |
| 4        | nut M10 DIN985         |
| 5        | nut cover cap M12      |
| 6        | nut cover M12 for beam |

|   |          |           |            |          |
|---|----------|-----------|------------|----------|
| UNLESS OTHERWISE SPECIFIED:<br>DIMENSIONS ARE IN MILLIMETERS<br>WEIGHT ARE IN KILOGRAMM |          |           |            |          |
|   | NAME     | SIGNATURE | DATE       | REVISION |
| DRAWN   | M.Rebase |           | 06.10.2023 |          |
| APPV'D  |          |           |            |          |

|                                      |  |              |                |
|--------------------------------------|--|--------------|----------------|
| PART NUMBER / DWG NO.:               |  | RS130        |                |
| DESCRIPTION:<br>Climbing complex BOA |  |              |                |
| MATERIAL:                            |  | A4           |                |
| WEIGHT:                              |  | SCALE: 1:160 | SHEET 17 OF 26 |



A

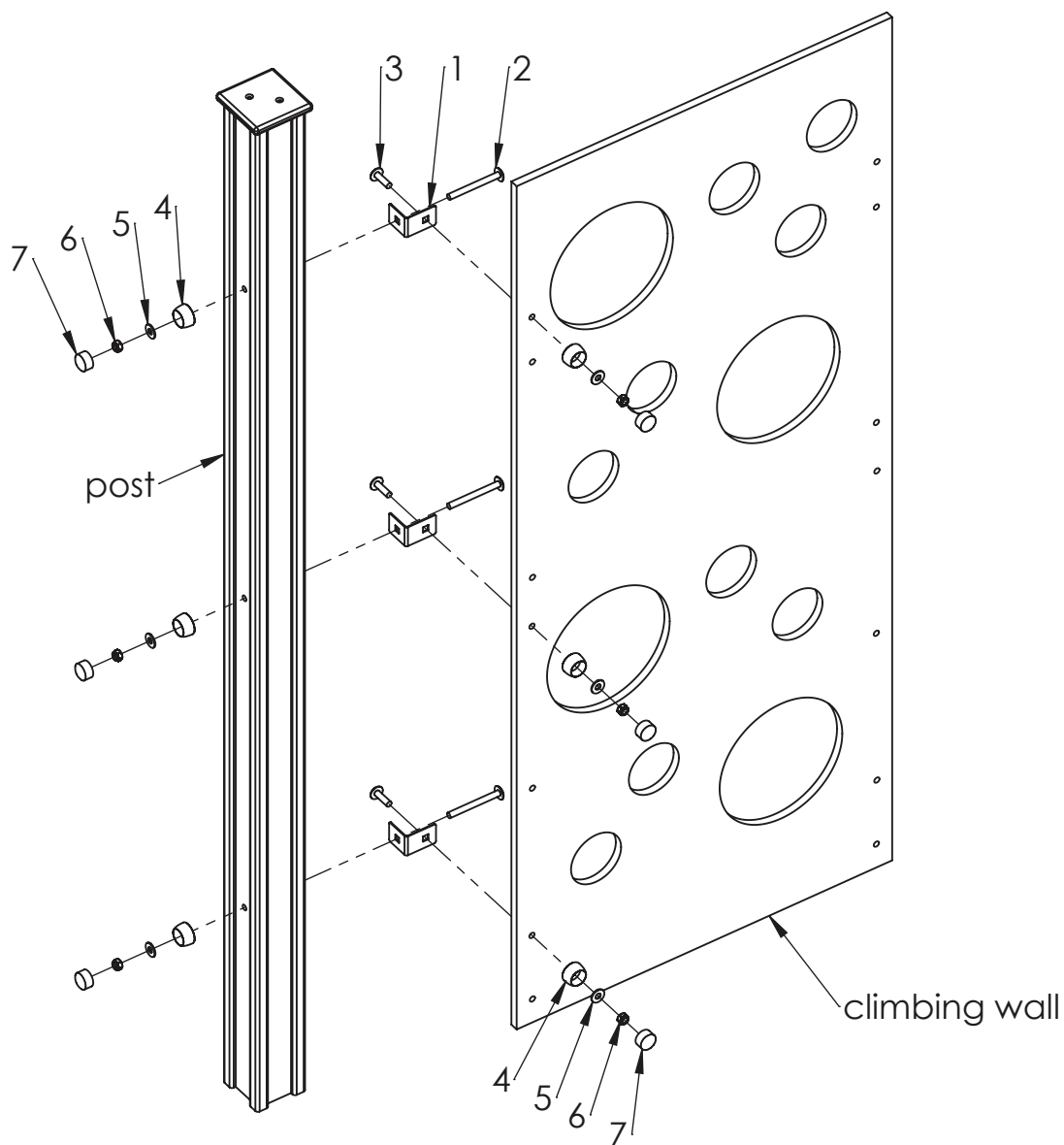
B

C

D

E

F



| ITEM NO. | PART NUMBER         |
|----------|---------------------|
| 1        | corner 48x60        |
| 2        | bolt M10x100 DIN603 |
| 3        | bolt M10x35 DIN603  |
| 4        | nut cover M12       |
| 5        | washer M10 DIN9054  |
| 6        | nut M10 DIN985      |
| 7        | nut cover cap M12   |

UNLESS OTHERWISE SPECIFIED:  
DIMENSIONS ARE IN MILLIMETERS  
WEIGHT ARE IN KILOGRAMM

PART NUMBER / DWG NO.:

RS130

|        | NAME     | SIGNATURE | DATE       | REVISION |
|--------|----------|-----------|------------|----------|
| DRAWN  | M.Rebase |           | 06.10.2023 |          |
| APPV'D |          |           |            |          |

DESCRIPTION:

Climbing complex BOA

MATERIAL:

A4

WEIGHT:

SCALE: 1:160

SHEET 18 OF 26



**Tiptap** OÜ

A

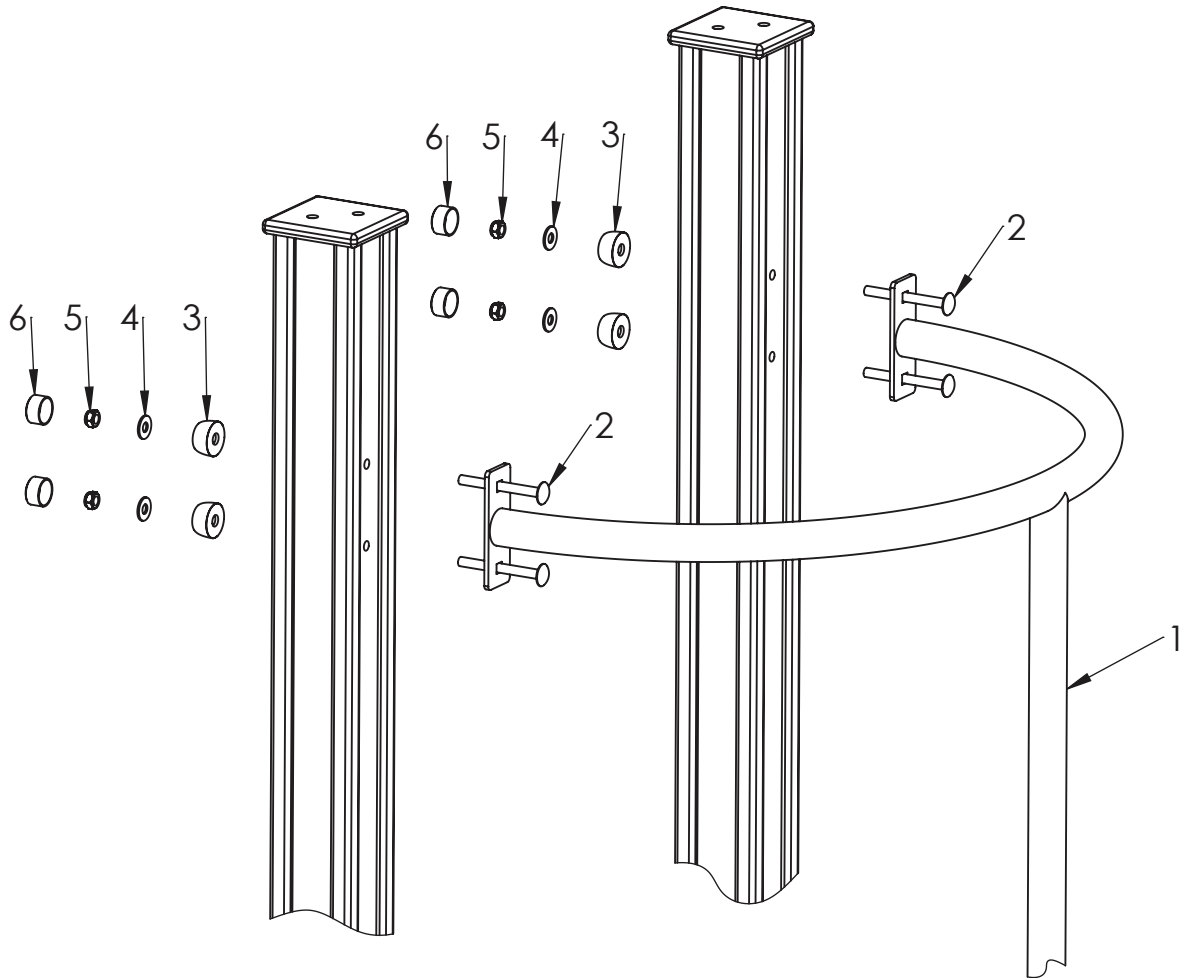
B

C

D

E

F



| ITEM NO. | PART NUMBER         |
|----------|---------------------|
| 1        | climbing pole       |
| 2        | bolt M10x100 DIN603 |
| 3        | nut cover M12       |
| 4        | washer M10 DIN9054  |
| 5        | nut M10 DIN985      |
| 6        | nut cover cap M12   |

|   |          |           |            |          |
|---|----------|-----------|------------|----------|
| UNLESS OTHERWISE SPECIFIED:<br>DIMENSIONS ARE IN MILLIMETERS<br>WEIGHT ARE IN KILOGRAMM |          |           |            |          |
|   | NAME     | SIGNATURE | DATE       | REVISION |
| DRAWN   | M.Rebase |           | 06.10.2023 |          |
| APPV'D  |          |           |            |          |

|                        |                      |
|------------------------|----------------------|
| PART NUMBER / DWG NO.: | RS130                |
| DESCRIPTION:           | Climbing complex BOA |



**Tiptiptap** <sup>ÖÜ</sup>

|           |              |                |
|-----------|--------------|----------------|
| MATERIAL: |              | A4             |
| WEIGHT:   | SCALE: 1:160 | SHEET 19 OF 26 |

A

B

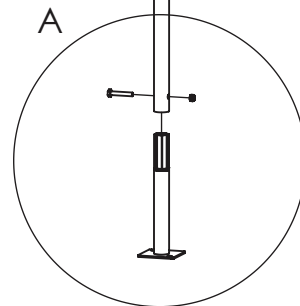
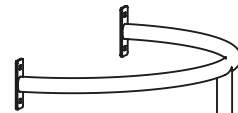
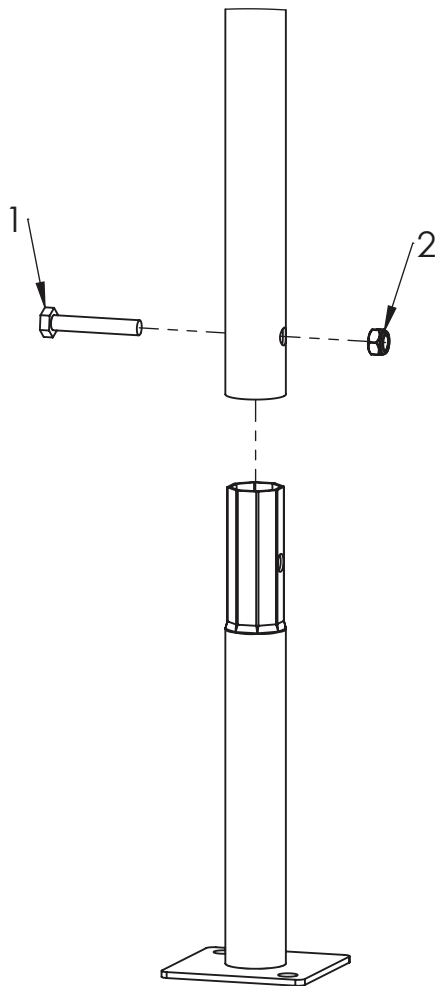
C

D

E

F

DETAIL A  
SCALE 1 : 5



| ITEM NO. | PART NUMBER        |
|----------|--------------------|
| 1        | bolt M10x60 DIN931 |
| 2        | nut M10 DIN985     |

|   |          |           |            |          |
|---|----------|-----------|------------|----------|
| UNLESS OTHERWISE SPECIFIED:<br>DIMENSIONS ARE IN MILLIMETERS<br>WEIGHT ARE IN KILOGRAMM |          |           |            |          |
|   | NAME     | SIGNATURE | DATE       | REVISION |
| DRAWN   | M.Rebase |           | 06.10.2023 |          |
| APPV'D  |          |           |            |          |

|                        |  |              |                |
|------------------------|--|--------------|----------------|
| PART NUMBER / DWG NO.: |  | RS130        |                |
| DESCRIPTION:           |  |              |                |
| Climbing complex BOA   |  |              |                |
| MATERIAL:              |  | A4           |                |
| WEIGHT:                |  | SCALE: 1:160 | SHEET 20 OF 26 |



**Tiptiptap** <sup>ÖÜ</sup>

A

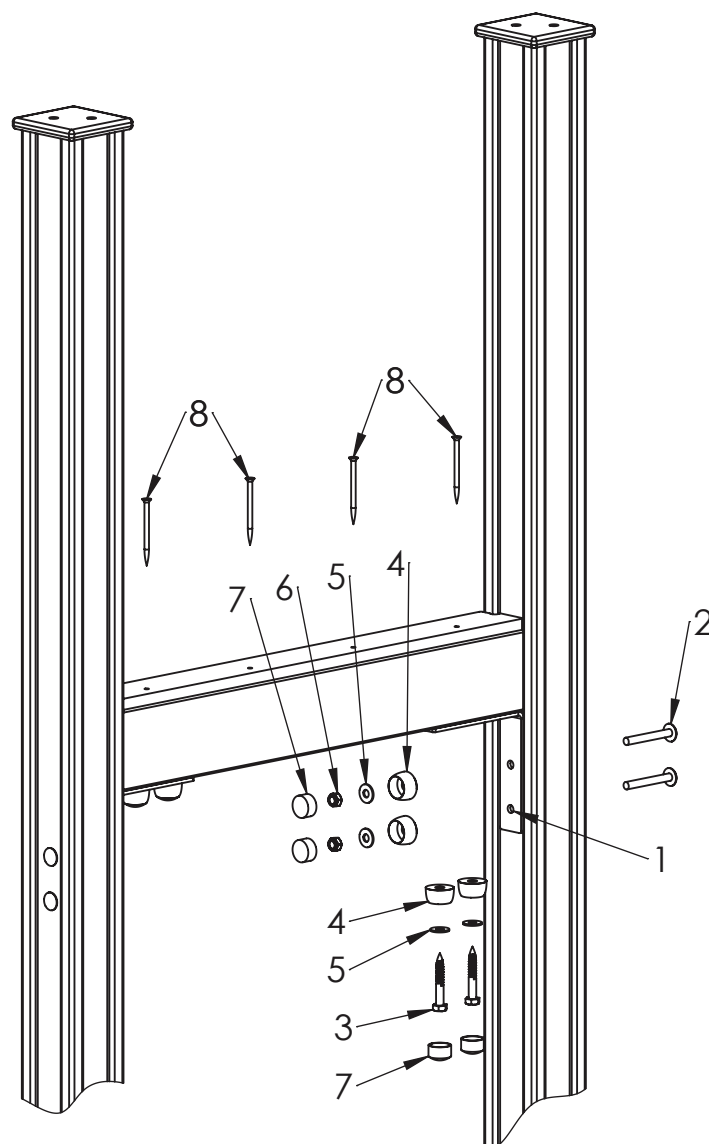
B

C

D

E

F



| ITEM NO. | PART NUMBER             |
|----------|-------------------------|
| 1        | corner 165x165x45       |
| 2        | bolt DIN603 M10x80      |
| 3        | wood screw DIN571 10x70 |
| 4        | nut cover M12           |
| 5        | washer M10 DIN9054      |
| 6        | nut M10 DIN985          |
| 7        | nut cover cap M12       |
| 8        | wood screw 6 x 90       |

UNLESS OTHERWISE SPECIFIED:  
DIMENSIONS ARE IN MILLIMETERS  
WEIGHT ARE IN KILOGRAMM

PART NUMBER / DWG NO.:

RS130

|        | NAME     | SIGNATURE | DATE       | REVISION |
|--------|----------|-----------|------------|----------|
| DRAWN  | M.Rebase |           | 06.10.2023 |          |
| APPV'D |          |           |            |          |

DESCRIPTION:

Climbing complex BOA

MATERIAL:

A4

WEIGHT:

SCALE: 1:160

SHEET 21 OF 26



**Tiptiptap** OÜ

A

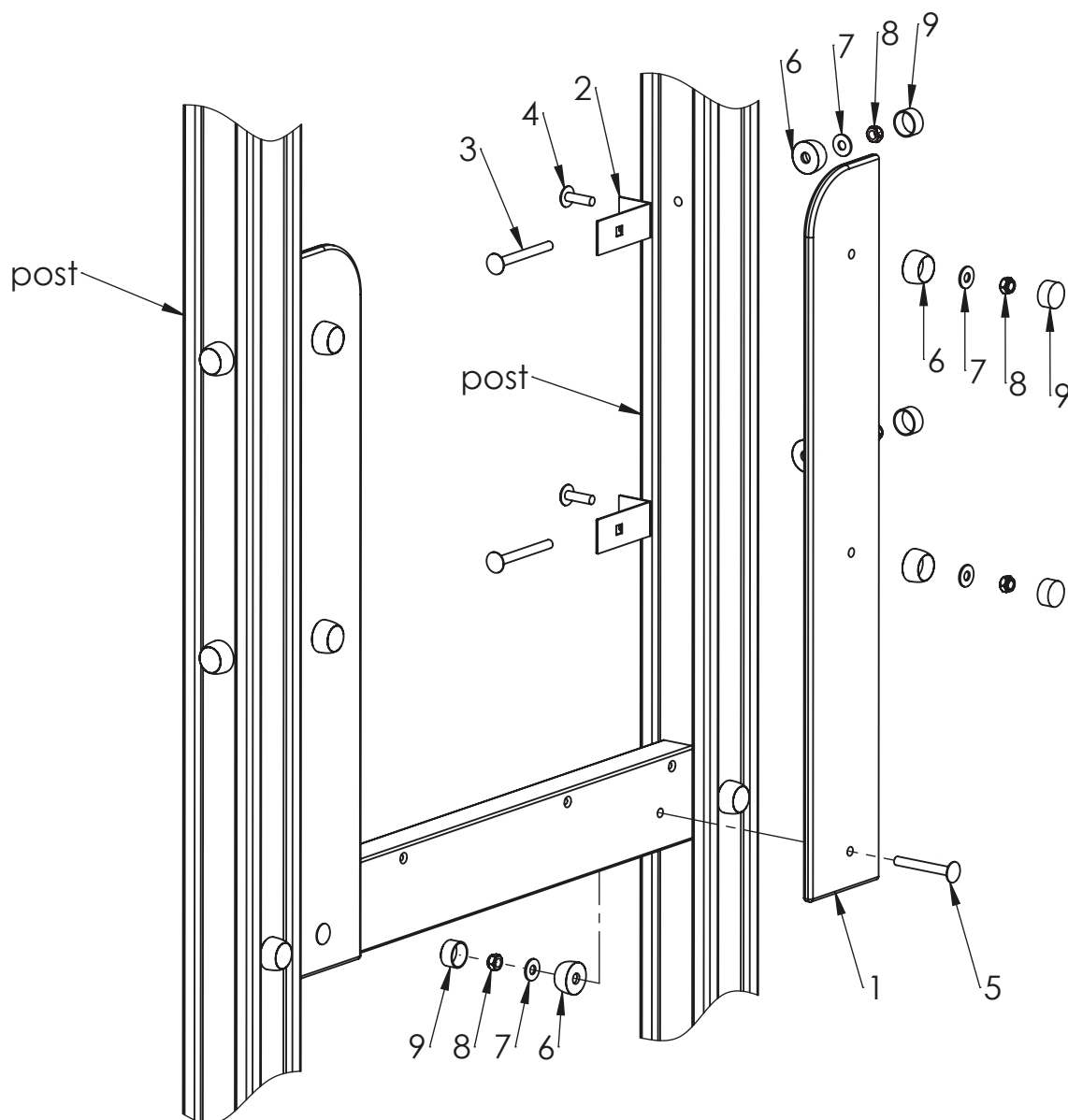
B

C

D

E

F



| ITEM NO. | PART NUMBER                    |
|----------|--------------------------------|
| 1        | panel 850x126                  |
| 2        | slide side panel fixing 40x100 |
| 3        | bolt M10x100 DIN603            |
| 4        | bolt M10x35 DIN603             |
| 5        | bolt M10x80 DIN603             |
| 6        | nut cover M12                  |
| 7        | washer M10 DIN9054             |
| 8        | nut M10 DIN985                 |
| 9        | nut cover cap M12              |

UNLESS OTHERWISE SPECIFIED:  
DIMENSIONS ARE IN MILLIMETERS  
WEIGHT ARE IN KILOGRAMM

PART NUMBER / DWG NO.:

RS130

|        | NAME     | SIGNATURE | DATE       | REVISION |
|--------|----------|-----------|------------|----------|
| DRAWN  | M.Rebase |           | 06.10.2023 |          |
| APPV'D |          |           |            |          |

DESCRIPTION:

Climbing complex BOA

MATERIAL:

A4

WEIGHT:

SCALE: 1:160

SHEET 22 OF 26



**Tiptap** <sup>ÖÜ</sup>

A

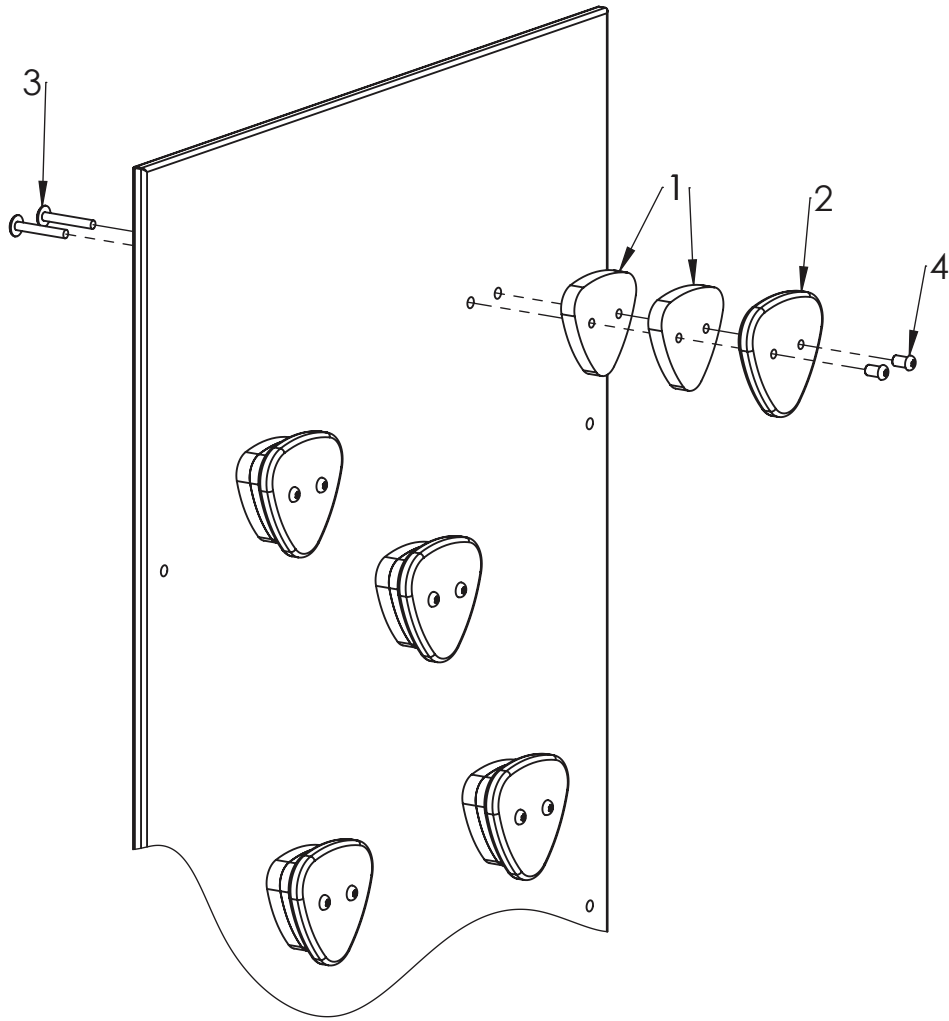
B

C

D

E

F



| ITEM NO. | PART NUMBER               |
|----------|---------------------------|
| 1        | climbing grip base        |
| 2        | climbing grip             |
| 3        | bolt M8x55 DIN603         |
| 4        | metal screw M8x16 DIN7380 |

UNLESS OTHERWISE SPECIFIED:  
 DIMENSIONS ARE IN MILLIMETERS  
 WEIGHT ARE IN KILOGRAMM

PART NUMBER / DWG NO.:

RS130

|        | NAME     | SIGNATURE | DATE       | REVISION |
|--------|----------|-----------|------------|----------|
| DRAWN  | M.Rebase |           | 06.10.2023 |          |
| APPV'D |          |           |            |          |

DESCRIPTION:

Climbing complex BOA

MATERIAL:

A4

WEIGHT:

SCALE: 1:160

SHEET 23 OF 26



Tiptiptap OÜ

A

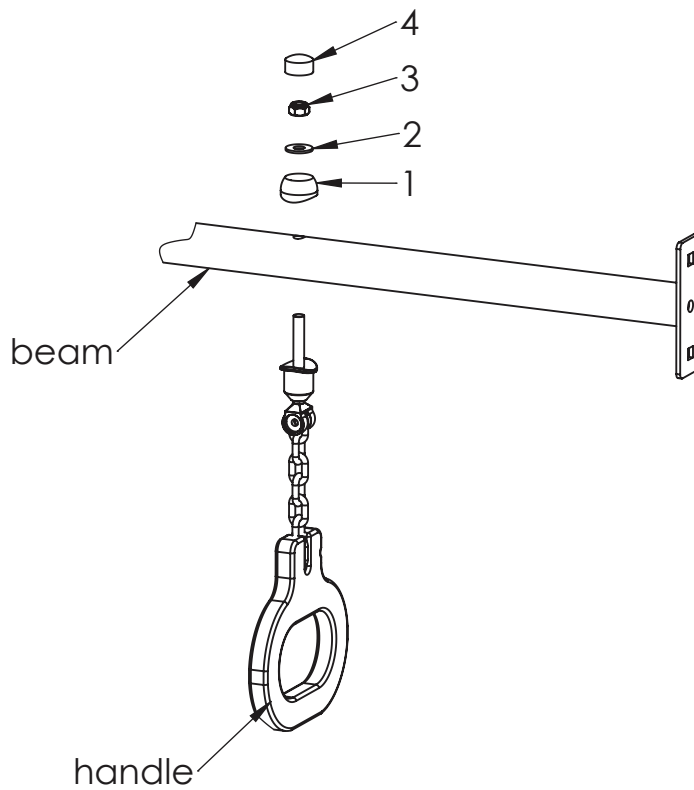
B

C

D

E

F



| ITEM NO. | PART NUMBER            |
|----------|------------------------|
| 1        | nut cover M12 for beam |
| 2        | washer M10 DIN9054     |
| 3        | nut M10 DIN985         |
| 4        | nut cover cap M12      |

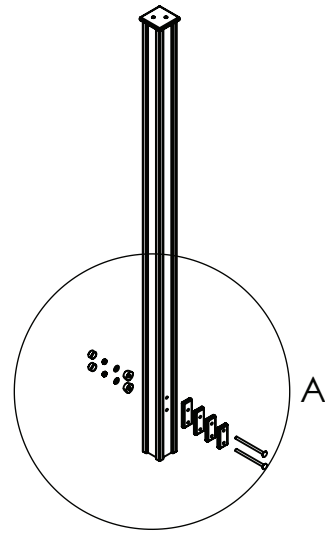
|   |          |           |            |          |
|---|----------|-----------|------------|----------|
| UNLESS OTHERWISE SPECIFIED:<br>DIMENSIONS ARE IN MILLIMETERS<br>WEIGHT ARE IN KILOGRAMM |          |           |            |          |
|   | NAME     | SIGNATURE | DATE       | REVISION |
| DRAWN   | M.Rebase |           | 06.10.2023 |          |
| APPV'D  |          |           |            |          |

|                        |                      |
|------------------------|----------------------|
| PART NUMBER / DWG NO.: | RS130                |
| DESCRIPTION:           | Climbing complex BOA |

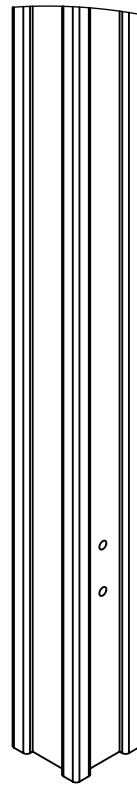


|           |              |                |
|-----------|--------------|----------------|
| MATERIAL: |              | A4             |
| WEIGHT:   | SCALE: 1:160 | SHEET 24 OF 26 |





DETAIL A  
SCALE 1 : 8



- nut cover cap M12
- nut M10 DIN985
- washer M10 DIN9054
- nut cover M12

- TSV step detail 9x48x122,5mm
- TSV step detail 9x48x115mm
- TSV step detail 9x48x107,5mm
- TSV step detail 9x48x100mm
- bolt M10x160 DIN603

UNLESS OTHERWISE SPECIFIED:  
DIMENSIONS ARE IN MILLIMETERS  
WEIGHT ARE IN KILOGRAMM

PART NUMBER / DWG NO.:

RS130

|        | NAME     | SIGNATURE | DATE       | REVISION |
|--------|----------|-----------|------------|----------|
| DRAWN  | M.Rebase |           | 06.10.2023 |          |
| APPV'D |          |           |            |          |

DESCRIPTION:

Climbing complex BOA



Tiptap OÜ

MATERIAL:

A4

WEIGHT:

SCALE: 1:160

SHEET 25 OF 26

# Use of thread adhesive

A

Thread adhesive is necessary to use in places where nut or bolt without lock is used.

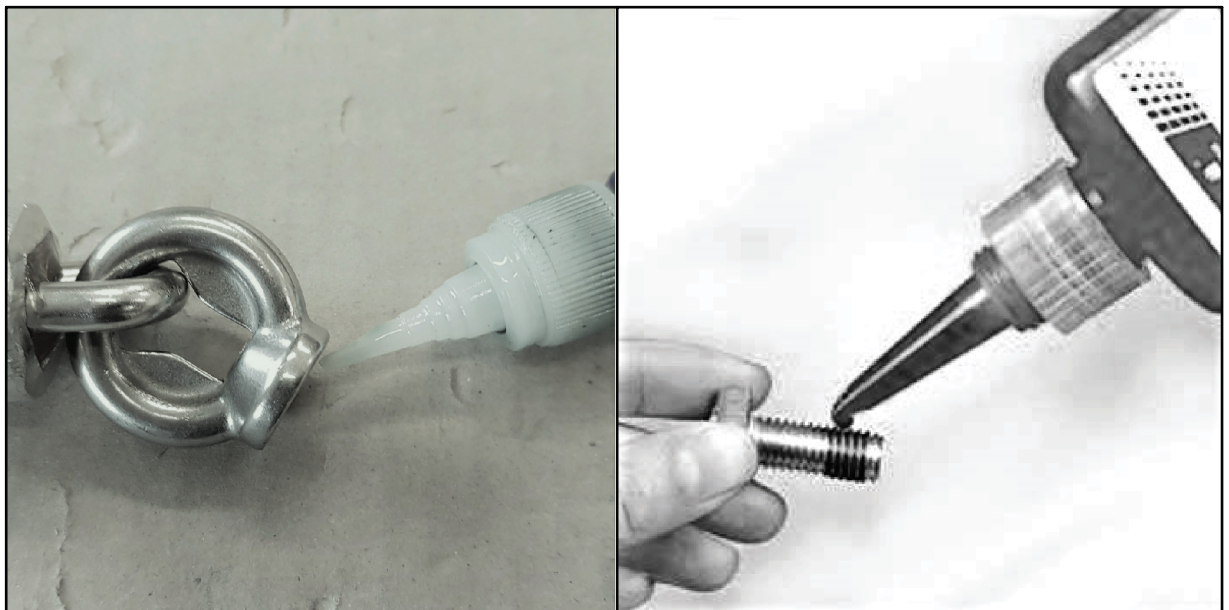
For instance:

B

- 1) Bridges ( with 3 or 8 steps)
- 2) OCTO series ( Pin Trx nut )
- 3) All PP covered steel wire connections

Use of thread adhesive: add small drop of thread adhesive to the end of the bolt or nut thread.

C



D

E

F

UNLESS OTHERWISE SPECIFIED:  
 DIMENSIONS ARE IN MILLIMETERS  
 WEIGHT ARE IN KILOGRAMM

PART NUMBER / DWG NO.:

RS130

|        | NAME     | SIGNATURE | DATE       | REVISION |
|--------|----------|-----------|------------|----------|
| DRAWN  | M.Rebase |           | 06.10.2023 |          |
| APPV'D |          |           |            |          |

DESCRIPTION:

Climbing complex BOA



**Tiptiptap** OÜ

MATERIAL:

A4

WEIGHT:

SCALE: 1:160

SHEET 26 OF 26