

A

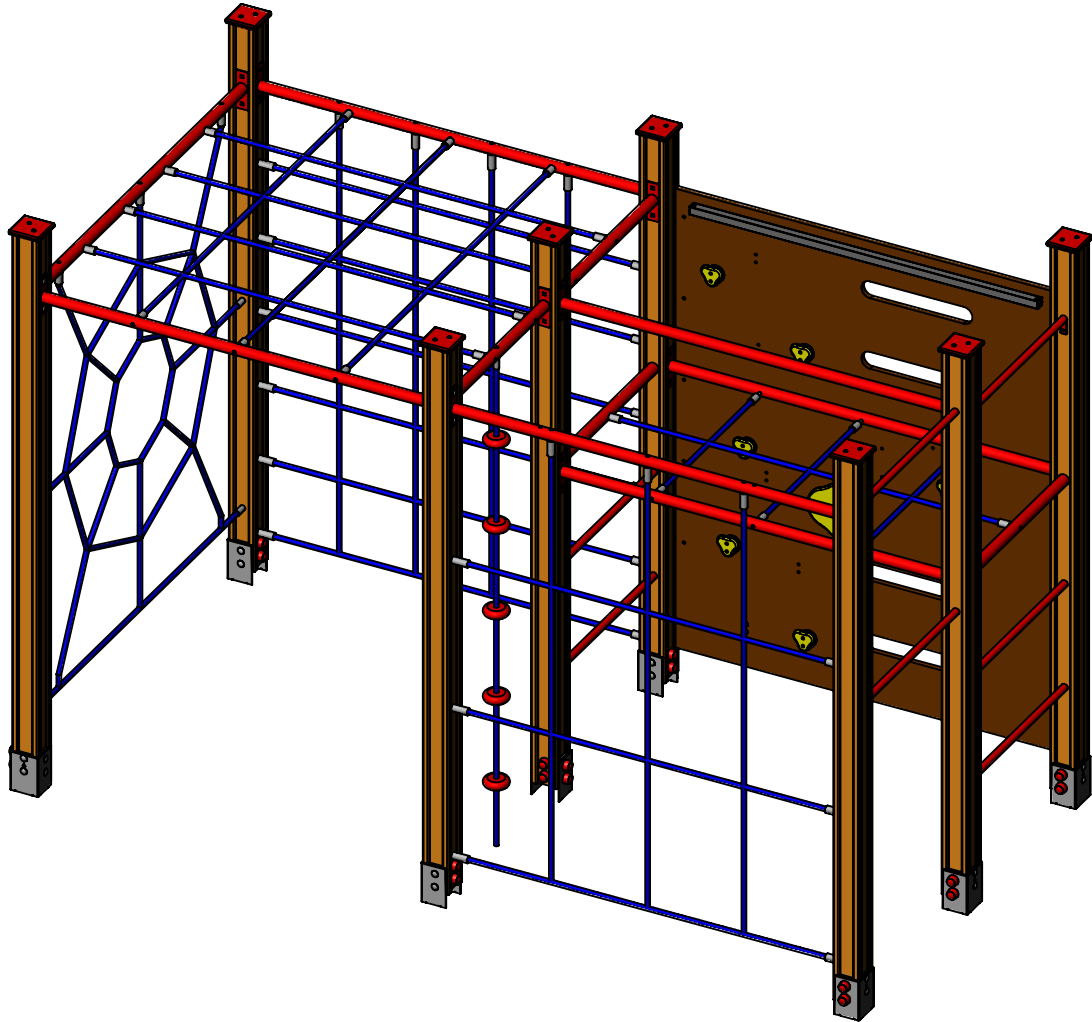
B

C

D

E

F



UNLESS OTHERWISE SPECIFIED:  
 DIMENSIONS ARE IN MILLIMETERS  
 WEIGHT ARE IN KILOGRAMM

PART NUMBER / DWG NO.:

RS129

	NAME	SIGNATURE	DATE	REVISION
DRAWN	I.Agar		12.11.2020	
APPV'D				

DESCRIPTION:

Climbing complex Iguana



**Tiptaptap** OÜ

Tiptaptap OÜ  
 Veetorni 9,  
 Jüri alevik, Rae vald,  
 75301 Harjumaa

MATERIAL:

wood, metal, plastic

A4

WEIGHT:

SCALE: 1:25

SHEET 1 OF 14

Safety area

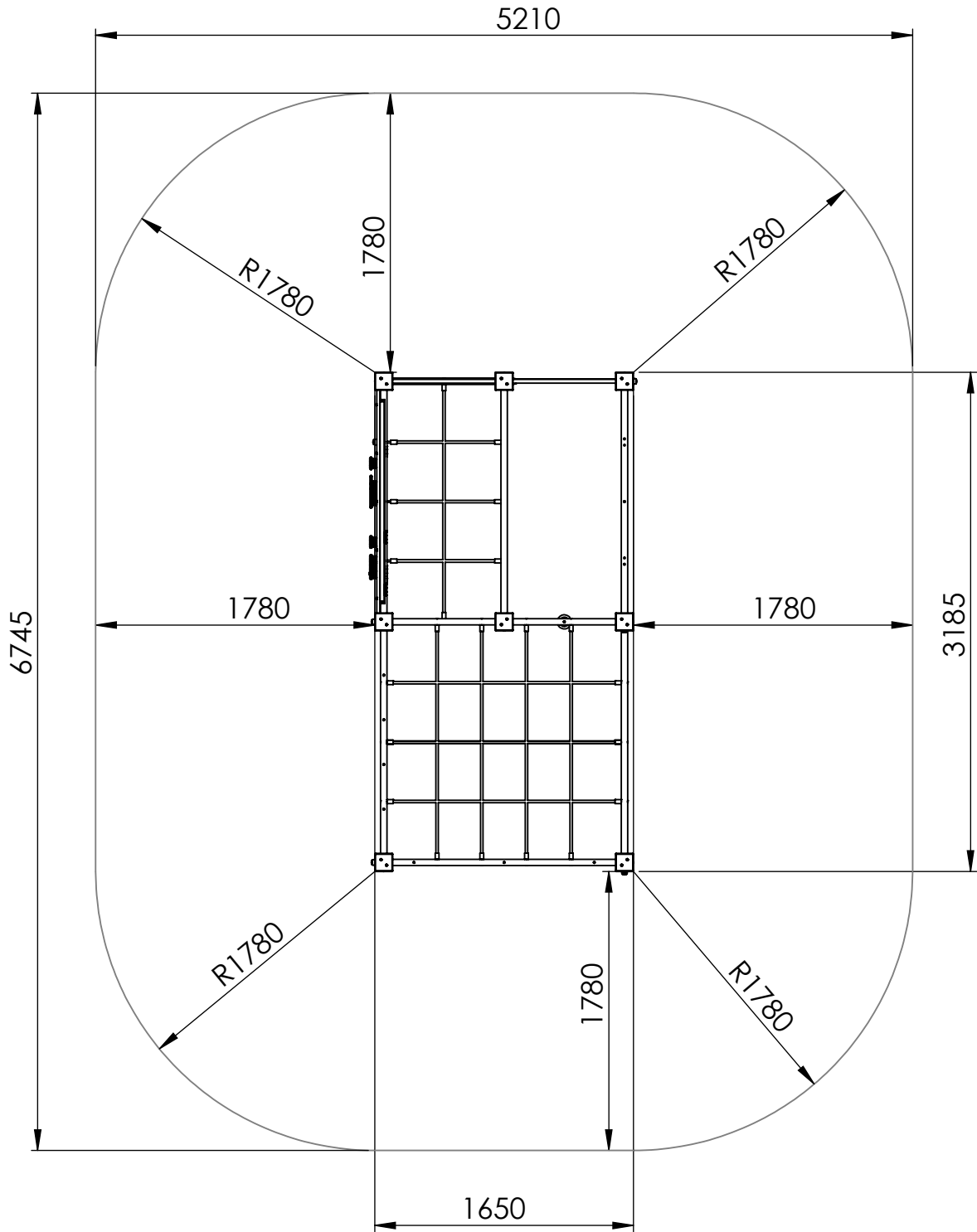
A

B

C

D

E



UNLESS OTHERWISE SPECIFIED:  
DIMENSIONS ARE IN MILLIMETERS  
WEIGHT ARE IN KILOGRAMM

PART NUMBER / DWG NO.:

RS129

	NAME	SIGNATURE	DATE	REVISION
DRAWN	I.Agar		12.11.2020	
APPV'D				

DESCRIPTION:

Climbing complex Iguana

F



**Tiptiptap** OÜ

Tiptiptap OÜ  
Veetorni 9,  
Jüri alevik, Rae vald,  
75301 Harjumaa

MATERIAL:

wood, metal, plastic

A4

WEIGHT:

SCALE: 1:40

SHEET 2 OF 14

Foundation

A

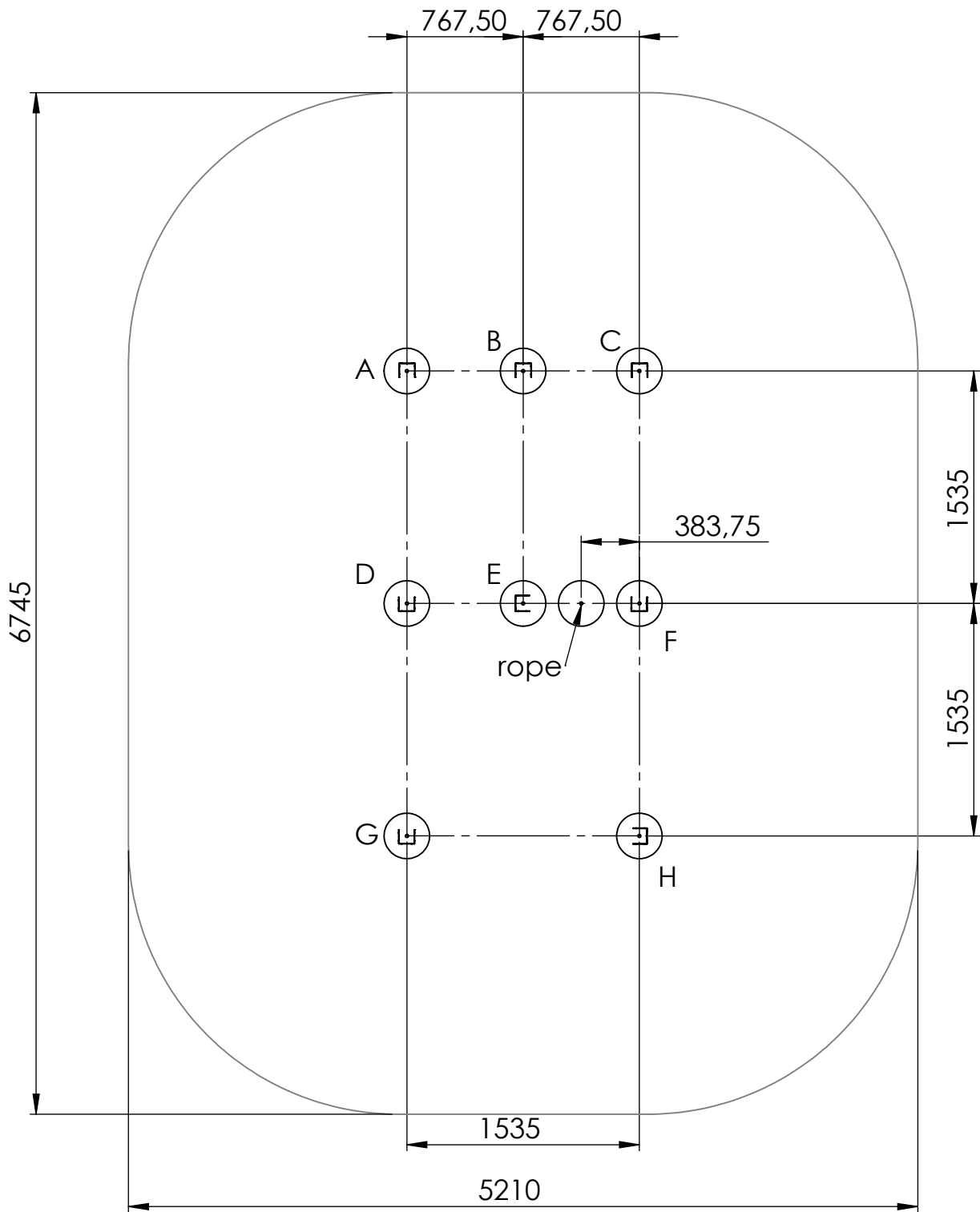
B

C

D

E

F



UNLESS OTHERWISE SPECIFIED: DIMENSIONS ARE IN MILLIMETERS WEIGHT ARE IN KILOGRAMM				
	NAME	SIGNATURE	DATE	REVISION
DRAWN	I.Agar		12.11.2020	
APPV'D				

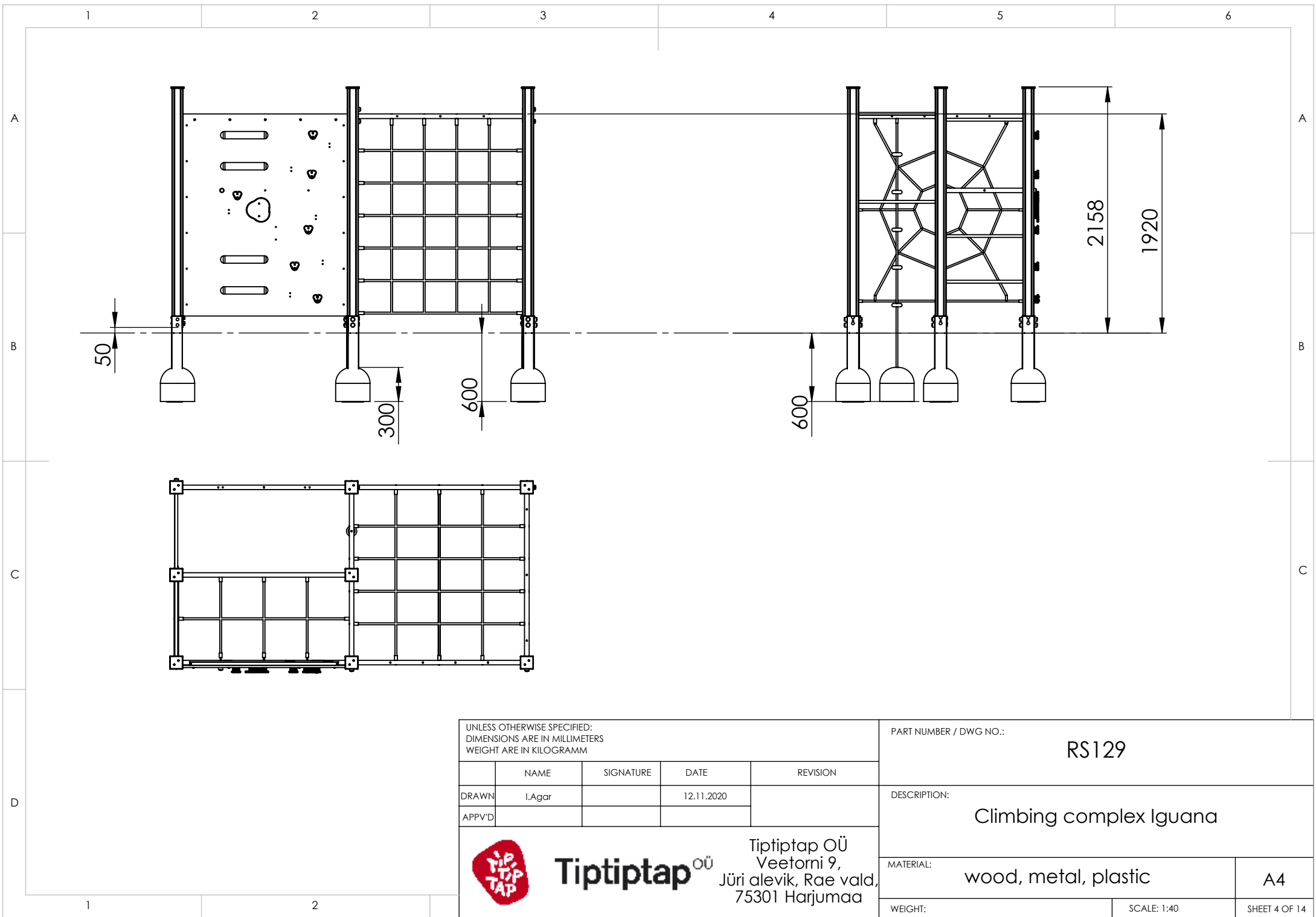
PART NUMBER / DWG NO.: **RS129**

DESCRIPTION: **Climbing complex Iguana**



**Tiptiptap** OÜ  
Veetorni 9,  
Jüri alevik, Rae vald,  
75301 Harjumaa

MATERIAL:	wood, metal, plastic	A4
WEIGHT:	SCALE: 1:40	SHEET 3 OF 14



UNLESS OTHERWISE SPECIFIED:  
 DIMENSIONS ARE IN MILLIMETERS  
 WEIGHT ARE IN KILOGRAMM

PART NUMBER / DWG NO.:  
**RS129**

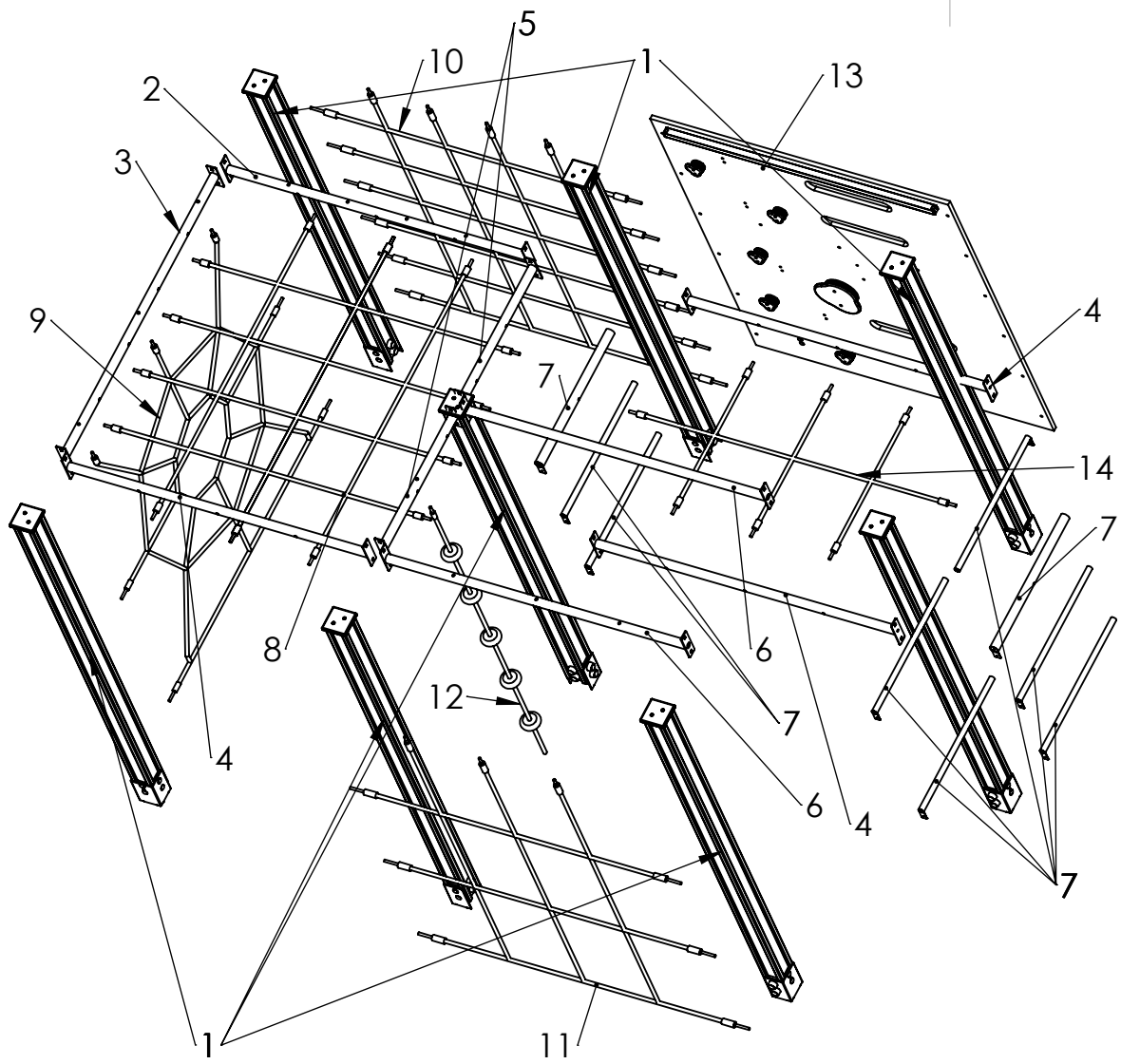
	NAME	SIGNATURE	DATE	REVISION
DRAWN	I.Agar		12.11.2020	
APPV'D				

DESCRIPTION:  
**Climbing complex Iguana**



**Tiptiptap** OÜ  
 Veetorni 9,  
 Jüri alevik, Rae vald,  
 75301 Harjumaa

MATERIAL:	wood, metal, plastic	A4
WEIGHT:		SCALE: 1:40
		SHEET 4 OF 14



ITEM NO.	PART NUMBER	DESCRIPTION	QTY.
1	RS129 post 2100	wood	8
2	beam 40x1455 A-B	painted steel	1
3	beam 40x1455 A-C, B-D	painted steel	1
4	beam 40x1455 C-D	painted steel	3
5	beam 40x687	painted steel	2
6	beam 40x1455 for net	painted steel	2
7	guardrail $\varnothing$ 25x2x687, 1hole	painted steel	9
8	climbing net 1495x1495	PP covered steel wire	1
9	spider net	PP covered steel wire	1
10	climbing net 1455x1715	PP covered steel wire	1
11	RS129 side net small	PP covered steel wire	1
12	RS129 climbing rope with knots	PP covered steel wire	1
13	RS129 climbing wall with grips	HDPE plastic	1
14	RS129 net for wall	PP covered steel wire	1

UNLESS OTHERWISE SPECIFIED:  
 DIMENSIONS ARE IN MILLIMETERS  
 WEIGHT ARE IN KILOGRAMM

	NAME	SIGNATURE	DATE	REVISION
DRAWN	I.Agar		12.11.2020	
APPV'D				

PART NUMBER / DWG NO.:  
**RS129**

DESCRIPTION:  
**Climbing complex Iguana**

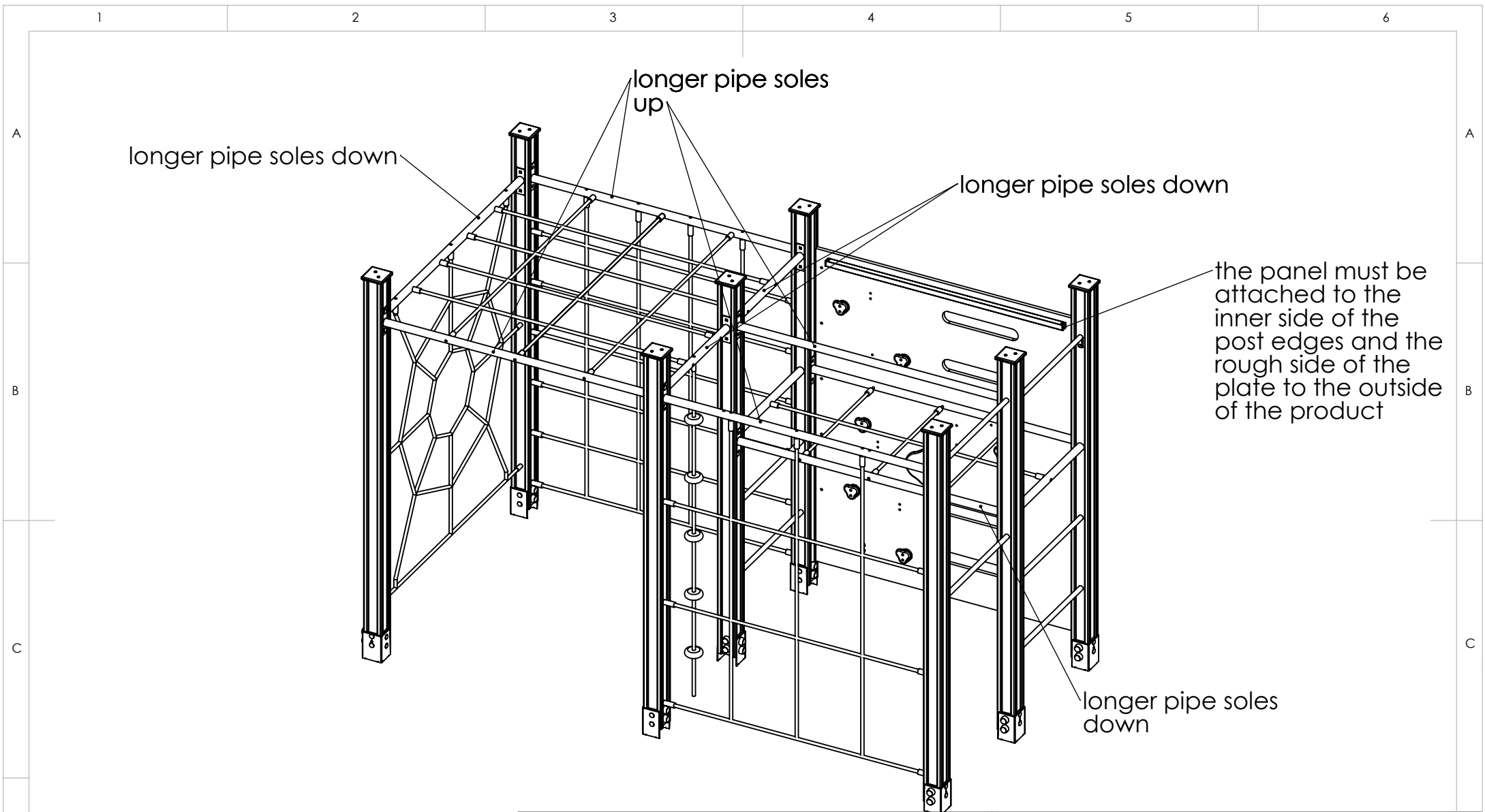



**Tiptiptap** OÜ  
 Veetorni 9,  
 Jüri alevik, Rae vald,  
 75301 Harjumaa

MATERIAL: wood, metal, plastic

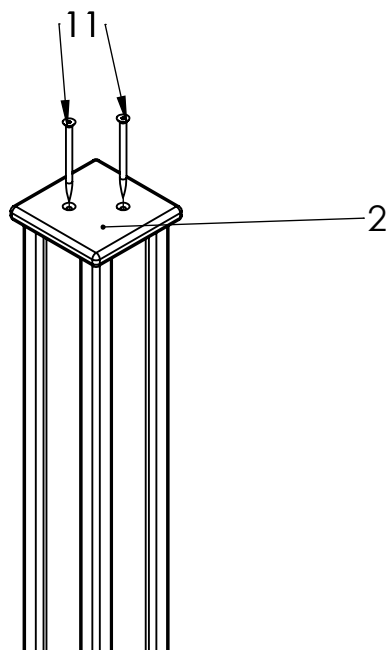
A4

WEIGHT: SCALE: 1:30 SHEET 5 OF 14



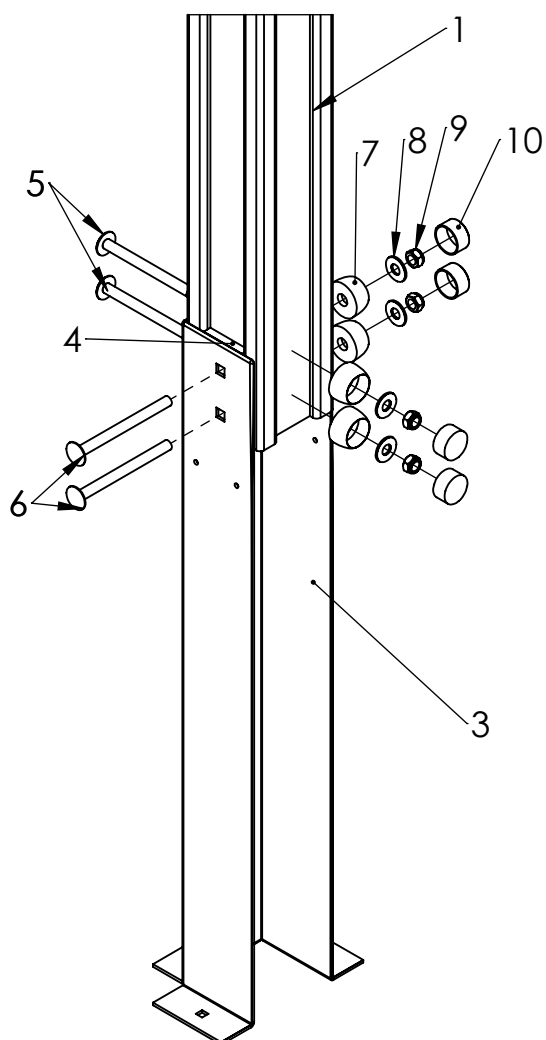
UNLESS OTHERWISE SPECIFIED: DIMENSIONS ARE IN MILLIMETERS WEIGHT ARE IN KILOGRAMM					PART NUMBER / DWG NO.: <b>RS129</b>	
	NAME	SIGNATURE	DATE	REVISION	DESCRIPTION: <b>Climbing complex iguana</b>	
DRAWN	I.Agar		12.11.2020			
APPV'D						
 <b>Tiptaptap</b> OÜ Tiptaptap OÜ Veetorni 9, Jüri alevik, Rae vald, 75301 Harjumaa					MATERIAL:	wood, metal, plastic
					WEIGHT:	SCALE: 1:25
					SHEET 6 OF 14	

A



B

C



D

E

ITEM NO.	PART NUMBER	DESCRIPTION
1	post 98x98x2100	laminated wood
2	plastic cap 115x115	PE plastic
3	ground fixture	
4	Post additional plastic	HDPE plastic
5	bolt DIN603 M10x110	galvanized steel
6	bolt DIN603 M10x120	galvanized steel
7	nut cover M12	PE plastic
8	Washer M10 DIN9054	Washer M10
9	nut DIN985 M10	galvanized steel
10	nut cover cap M12	PE plastic
11	Woodscrew 6 x 90	galvanized steel

UNLESS OTHERWISE SPECIFIED:  
DIMENSIONS ARE IN MILLIMETERS  
WEIGHT ARE IN KILOGRAMM

PART NUMBER / DWG NO.:

RS129

	NAME	SIGNATURE	DATE	REVISION
DRAWN	I.Agar		12.11.2020	
APPV'D				

DESCRIPTION:

Climbing complex Iguana

MATERIAL:

wood, metal, plastic

A4

WEIGHT:

SCALE: 1:7

SHEET 7 OF 14

F



**Tiptiptap** OÜ

Tiptiptap OÜ  
Veetorni 9,  
Jüri alevik, Rae vald,  
75301 Harjumaa

NR 1

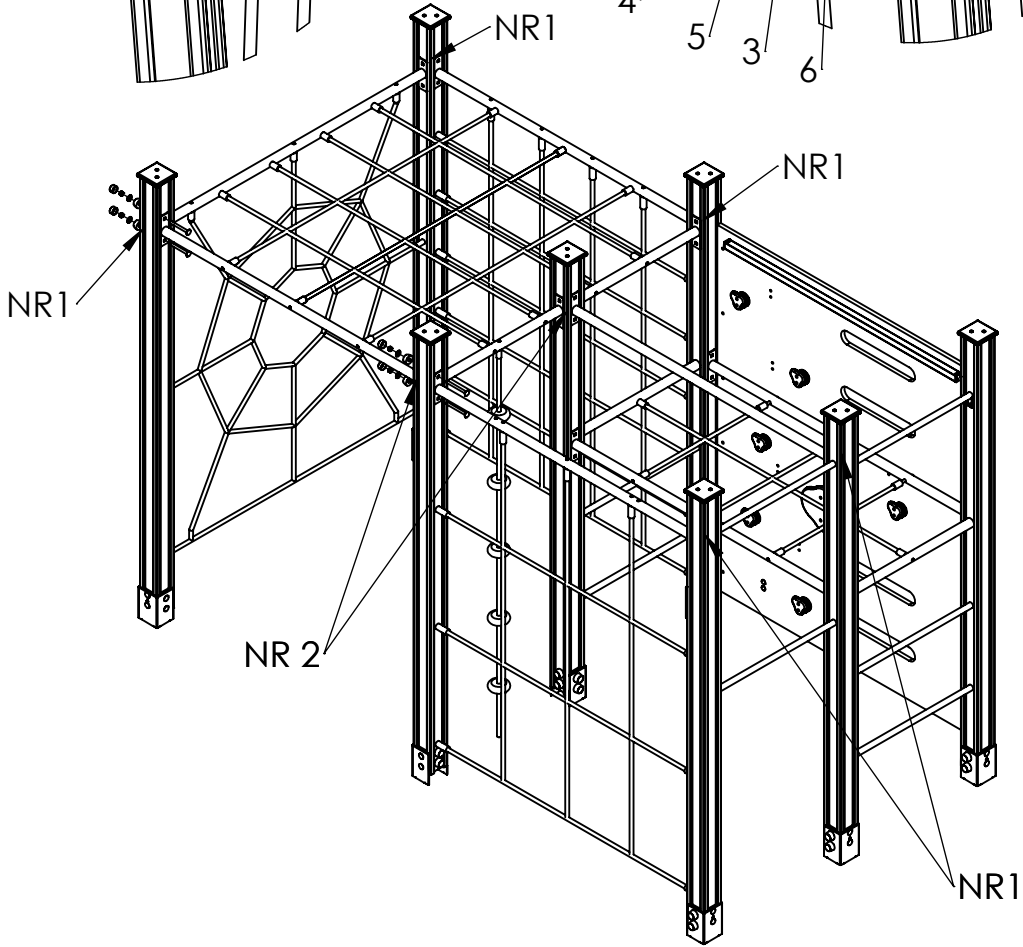
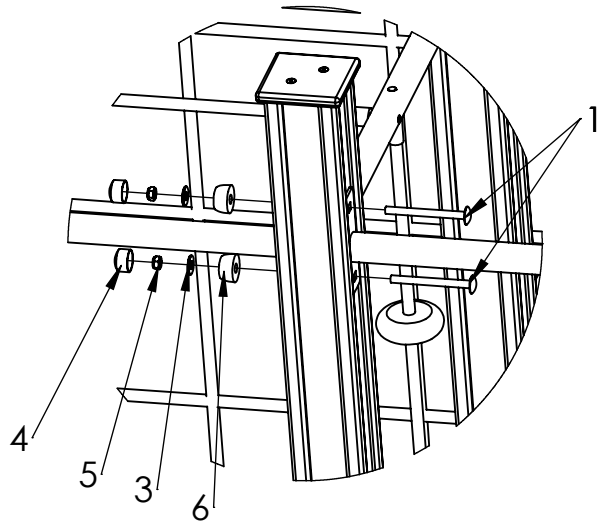
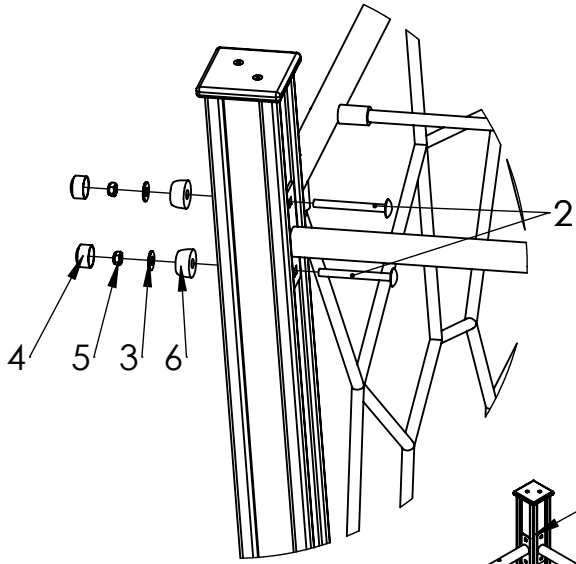
NR 2

A

B

C

D



E

F

ITEM NO.	PART NUMBER	DESCRIPTION
1	bolt DIN603 M10x110	galvanized steel
2	bolt DIN603 M10x100	galvanized steel
3	Washer M10 DIN9054	Washer M10
4	nut cover cap M12	PE plastic
5	nut DIN985 M10	galvanized steel
6	nut cover M12	PE plastic

UNLESS OTHERWISE SPECIFIED: DIMENSIONS ARE IN MILLIMETERS WEIGHT ARE IN KILOGRAMM				
	NAME	SIGNATURE	DATE	REVISION
DRAWN	I.Agar		12.11.2020	
APPV'D				

PART NUMBER / DWG NO.:	RS129
DESCRIPTION:	Climbing complex Iguana



**Tiptiptap** OÜ  
Veetorni 9,  
Jüri alevik, Rae vald,  
75301 Harjumaa

MATERIAL:	wood, metal, plastic	A4
WEIGHT:	SCALE: 1:30	SHEET 8 OF 14



A

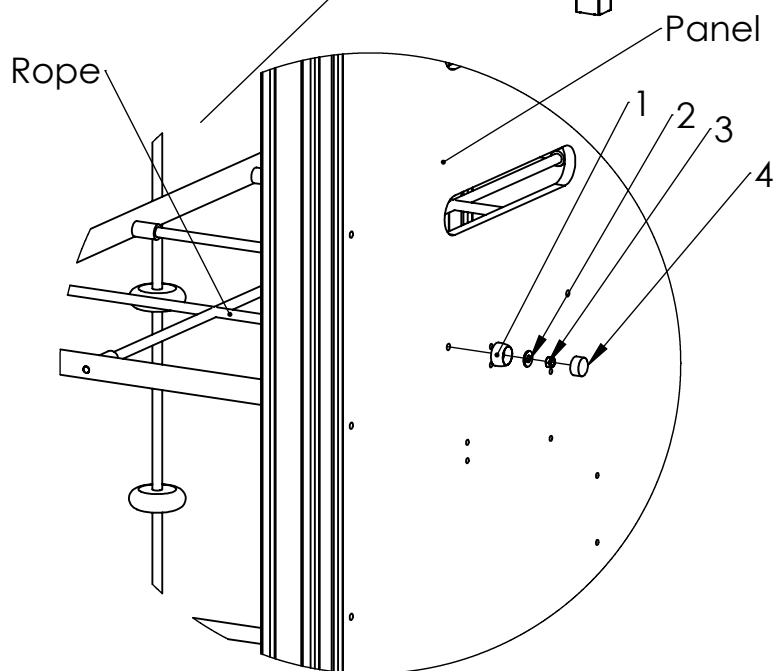
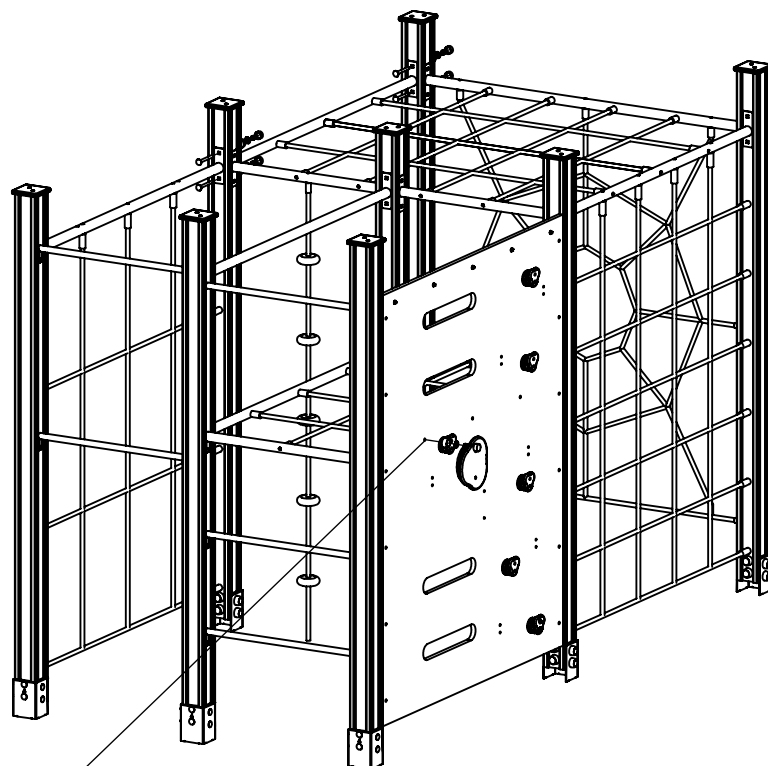
B

C

D

E

F



ITEM NO.	PART NUMBER	DESCRIPTION
1	nut cover M12	PE plastic
2	Washer M10 DIN9054	Washer M10
3	nut DIN985 M10	galvanized steel
4	nut cover cap M12	PE plastic

UNLESS OTHERWISE SPECIFIED:  
DIMENSIONS ARE IN MILLIMETERS  
WEIGHT ARE IN KILOGRAMM

PART NUMBER / DWG NO.:

RS129

	NAME	SIGNATURE	DATE	REVISION
DRAWN	I.Agar		12.11.2020	
APPV'D				

DESCRIPTION:

Climbing complex Iguana

MATERIAL:

wood, metal, plastic

A4

WEIGHT:

SCALE: 1:30

SHEET 9 OF 14



**Tiptiptap** OÜ

Tiptiptap OÜ  
Veetorni 9,  
Jüri alevik, Rae vald,  
75301 Harjumaa

A

Aluminium post version!!!

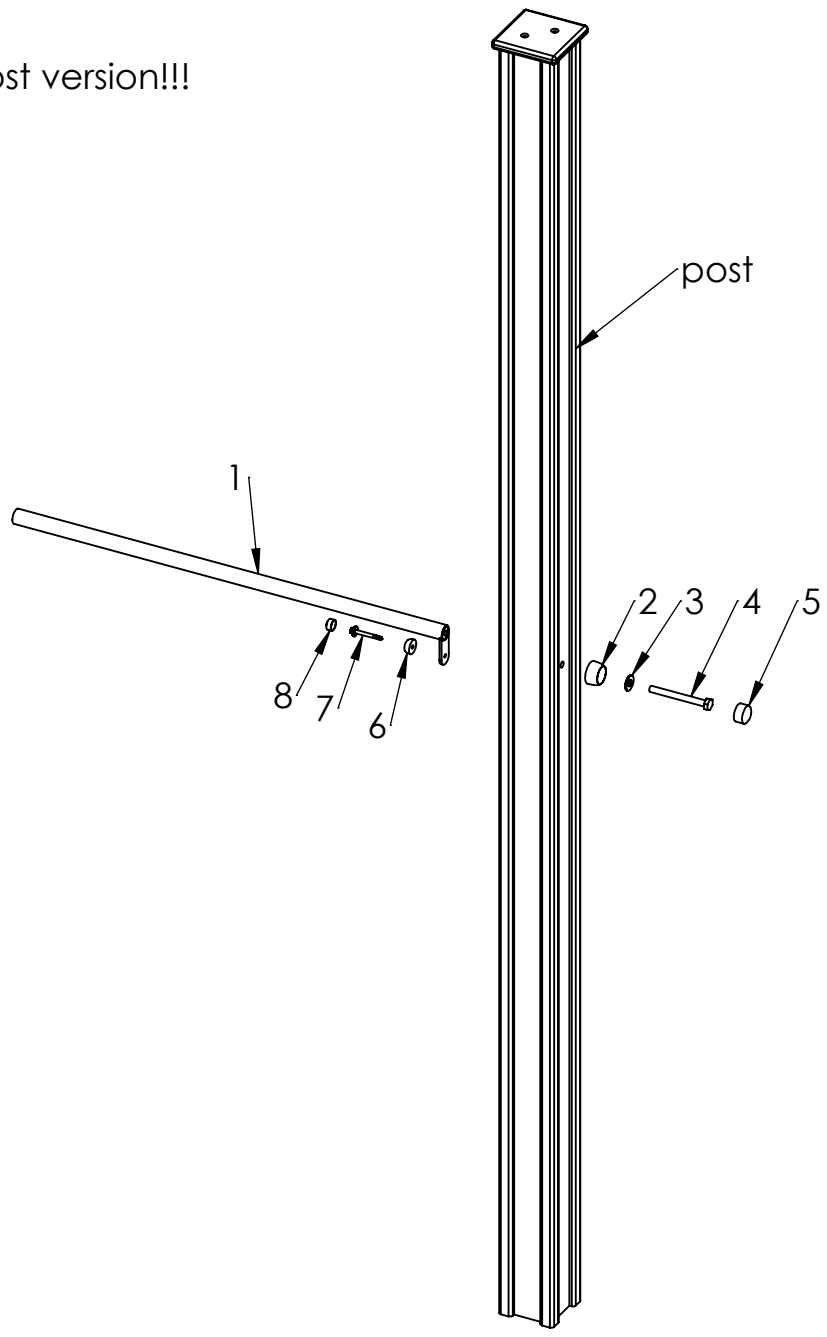
B

C

D

E

F



ITEM NO.	PART NUMBER
1	guardrail $\phi$ 25x687
2	nut cover M12
3	Washer M10 DIN9054
4	bolt DIN931 M10x100
5	nut cover cap M12
6	nut cover M6
7	screw DIN7504K 5,5x50
8	nut cover cap M6

UNLESS OTHERWISE SPECIFIED:  
 DIMENSIONS ARE IN MILLIMETERS  
 WEIGHT ARE IN KILOGRAMM

PART NUMBER / DWG NO.:  
**RS129**

	NAME	SIGNATURE	DATE	REVISION
DRAWN	I.Agar			
APPV'D				

DESCRIPTION:  
**Climbing complex Iguana  
 connecting guardrail to post**



**Tiptiptap** OÜ  
 Veetorni 9,  
 Jüri alevik, Rae vald,  
 75301 Harjumaa

MATERIAL:	wood, metal, plastic	A4
WEIGHT:	SCALE: 1:12	SHEET 10 OF 14

A

Wood post version!!!

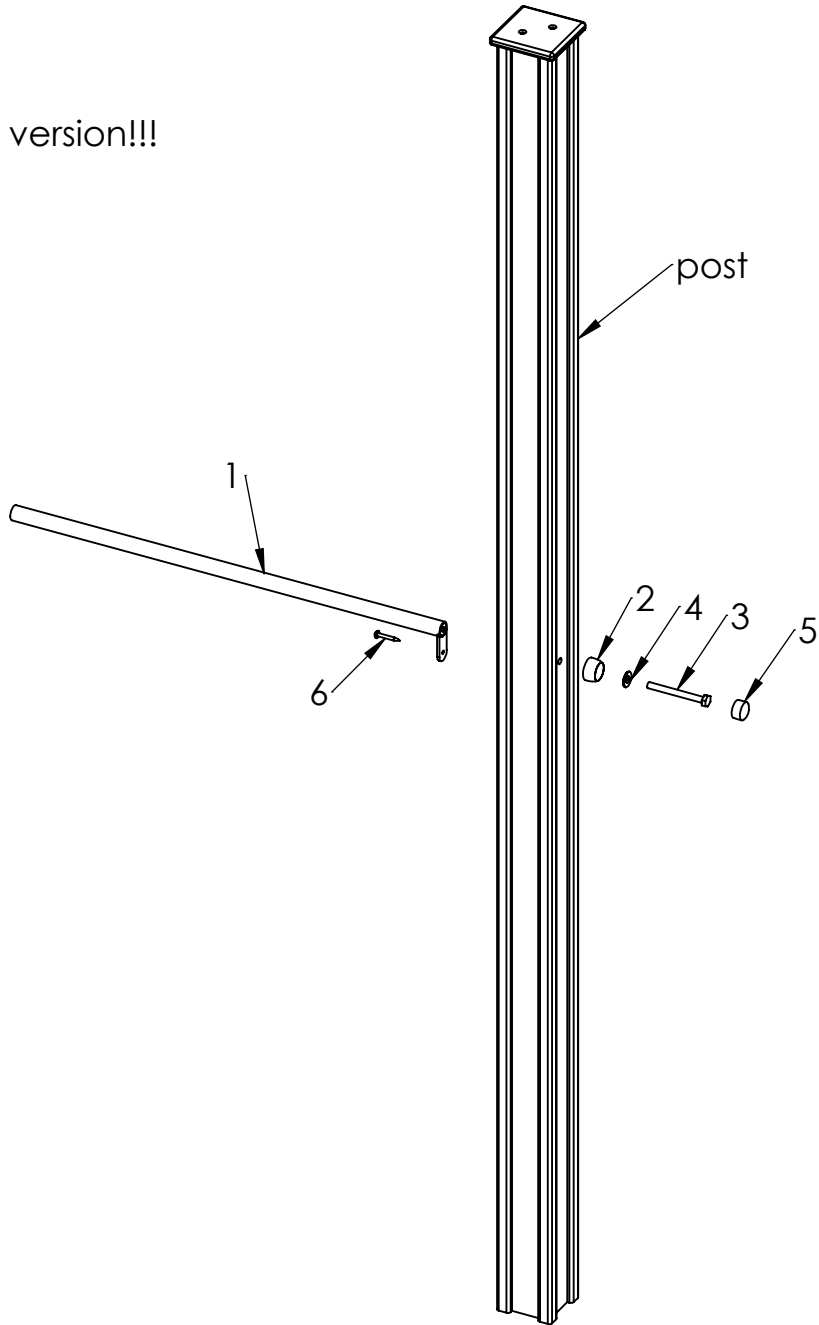
B

C

D

E

F



ITEM NO.	PART NUMBER
1	guardrail $\phi$ 25x687
2	nut cover M12
3	bolt DIN931 M10x100
4	Washer M10 DIN9054
5	nut cover cap M12
6	screw 5x40

UNLESS OTHERWISE SPECIFIED: DIMENSIONS ARE IN MILLIMETERS WEIGHT ARE IN KILOGRAMM				
	NAME	SIGNATURE	DATE	REVISION
DRAWN	I.Agar			
APPV'D				

PART NUMBER / DWG NO.: **RS129**

DESCRIPTION:  
**Climbing complex Iguana  
connecting guardrail to post**



**Tiptiptap** OÜ  
Veetorni 9,  
Jüri alevik, Rae vald,  
75301 Harjumaa

MATERIAL:	wood, metal, plastic	A4
WEIGHT:	SCALE: 1:12	SHEET 11 OF 14

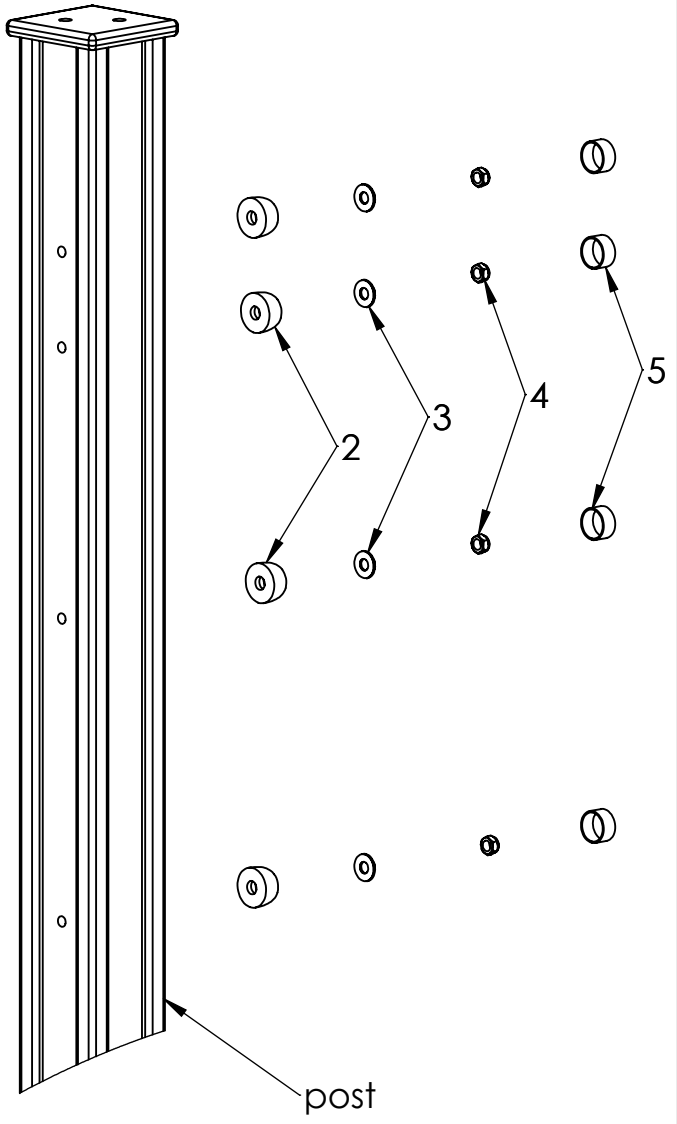
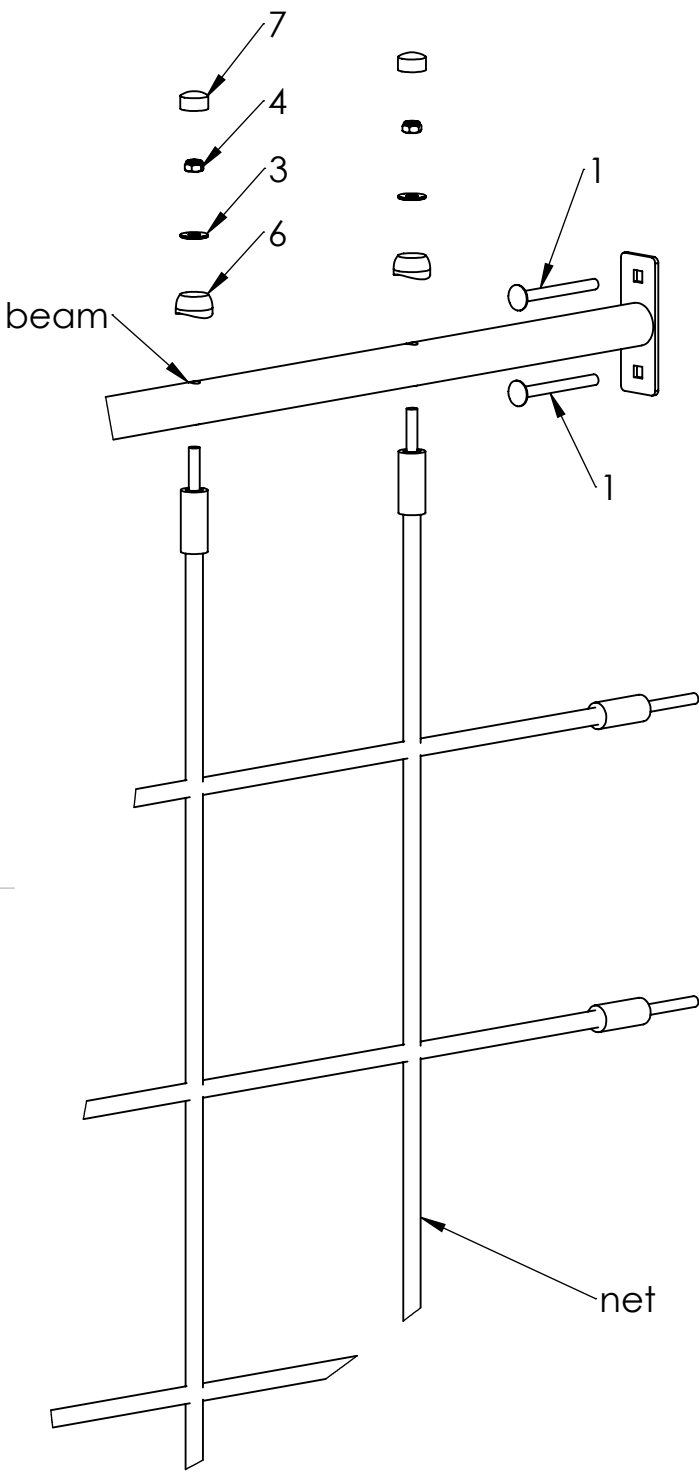
A

B

C

D

E



ITEM NO.	PART NUMBER
1	bolt DIN603 M10x100
2	nut cover M12
3	Washer M10 DIN9054
4	nut DIN985 M10
5	nut cover cap M12
6	nut cover for beam M10
7	nut cover cap M10

UNLESS OTHERWISE SPECIFIED:  
 DIMENSIONS ARE IN MILLIMETERS  
 WEIGHT ARE IN KILOGRAMM

PART NUMBER / DWG NO.:  
**RS129**

	NAME	SIGNATURE	DATE	REVISION
DRAWN	I.Agar			
APPV'D				

DESCRIPTION:  
**Climbing complex Iguana**  
 Connecting beam and climbing net to post



**Tiptiptap** OÜ  
 Veetorni 9,  
 Jüri alevik, Rae vald,  
 75301 Harjumaa

MATERIAL: wood, metal, plastic	A4
WEIGHT:	SCALE: 1:7
	SHEET 12 OF 14

A

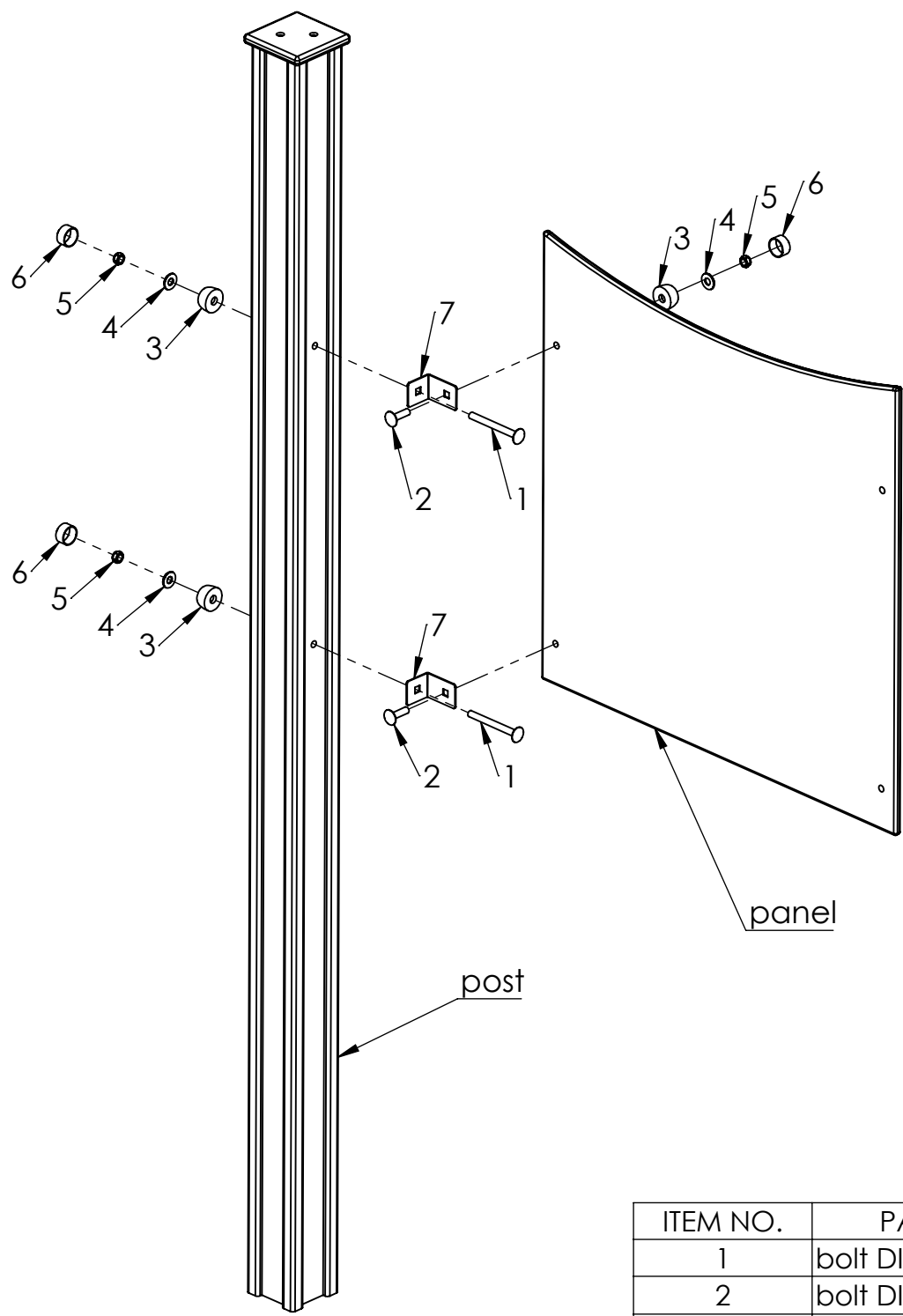
B

C

D

E

F



ITEM NO.	PART NUMBER
1	bolt DIN603 M10x100
2	bolt DIN603 M10x35
3	nut cover M12
4	Washer M10 DIN9054
5	nut DIN985 M10
6	nut cover cap M12
7	Corner 90° (45x60)

UNLESS OTHERWISE SPECIFIED: DIMENSIONS ARE IN MILLIMETERS WEIGHT ARE IN KILOGRAMM				
	NAME	SIGNATURE	DATE	REVISION
DRAWN	I.Agar		12.11.2020	
APPV'D				

PART NUMBER / DWG NO.: **RS129**

DESCRIPTION:  
**Climbing complex Iguana  
connecting panel to post**

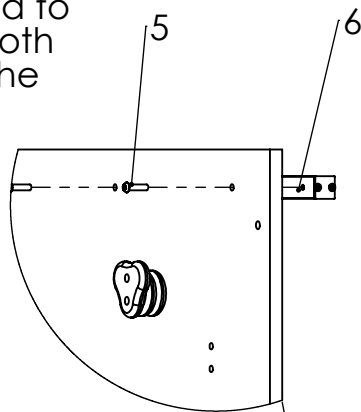


**Tiptiptap** OÜ  
Veetorni 9,  
Jüri alevik, Rae vald,  
75301 Harjumaa

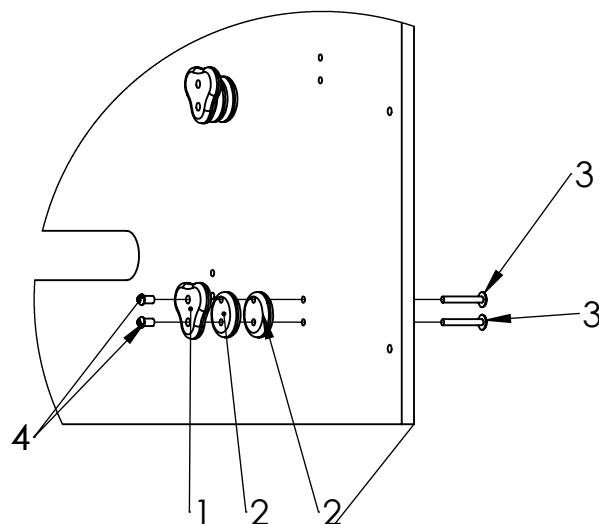
MATERIAL:	wood, metal, plastic	A4
WEIGHT:	SCALE: 1:10	SHEET 13 OF 14

A

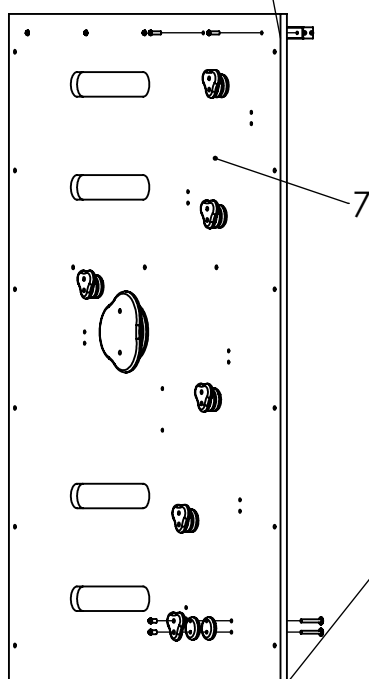
The aluminum strip must be attached to the smooth side of the panel!



B



C



D

A large stone attaches in the same way as a small stone

E

ITEM NO.	PART NUMBER	DESCRIPTION
1	RS129 climbing grip small	HDPE plastic
2	RS129 climbing grip small extra	HDPE plastic
3	bolt DIN603 M8x60	galvanized steel
4	nut DIN7380 M8x16	galvanized steel
5	Art. 9121 TX-PIN M8x30	galvanized steel
6	RS129 Aluminium 30x30 1297	Aluminium
7	RS129 climbing wall	HDPE plastic

UNLESS OTHERWISE SPECIFIED:  
DIMENSIONS ARE IN MILLIMETERS  
WEIGHT ARE IN KILOGRAMM

PART NUMBER / DWG NO.:

RS129

	NAME	SIGNATURE	DATE	REVISION
DRAWN	I.Agar		12.11.2020	
APPV'D				

DESCRIPTION:

Climbing complex Iguana

F



**Tiptaptap** OÜ

Tiptaptap OÜ  
Veetorni 9,  
Jüri alevik, Rae vald,  
75301 Harjumaa

MATERIAL:

wood, metal, plastic

A4

WEIGHT:

SCALE: 1:20

SHEET 14 OF 14