

A

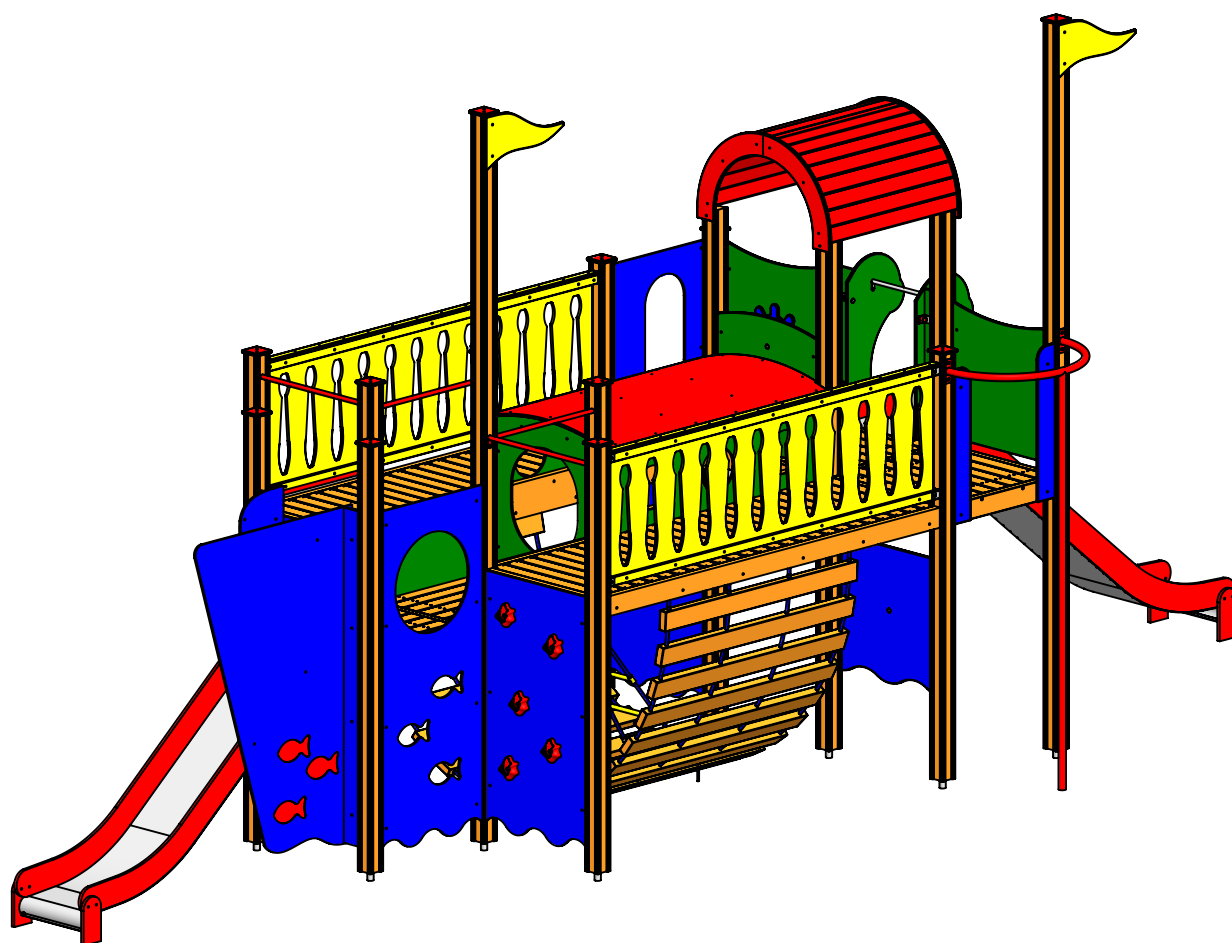
B

C

D

E

F



UNLESS OTHERWISE SPECIFIED:
DIMENSIONS ARE IN MILLIMETERS
WEIGHT ARE IN KILOGRAMM

PART NUMBER / DWG NO.:

MM119

	NAME	SIGNATURE	DATE	REVISION
DRAWN	M.Rebase		05.05.2017	
APPV'D				

DESCRIPTION:

Playship FRAM



Tiptaptap OÜ

Tiptaptap OÜ
Veetorni 9,
Jüri alevik, Rae vald,
75301 Harjumaa

MATERIAL:

wood, metal, plastic

A4

WEIGHT:

SCALE: 1:40

SHEET 1 OF 25

safety area

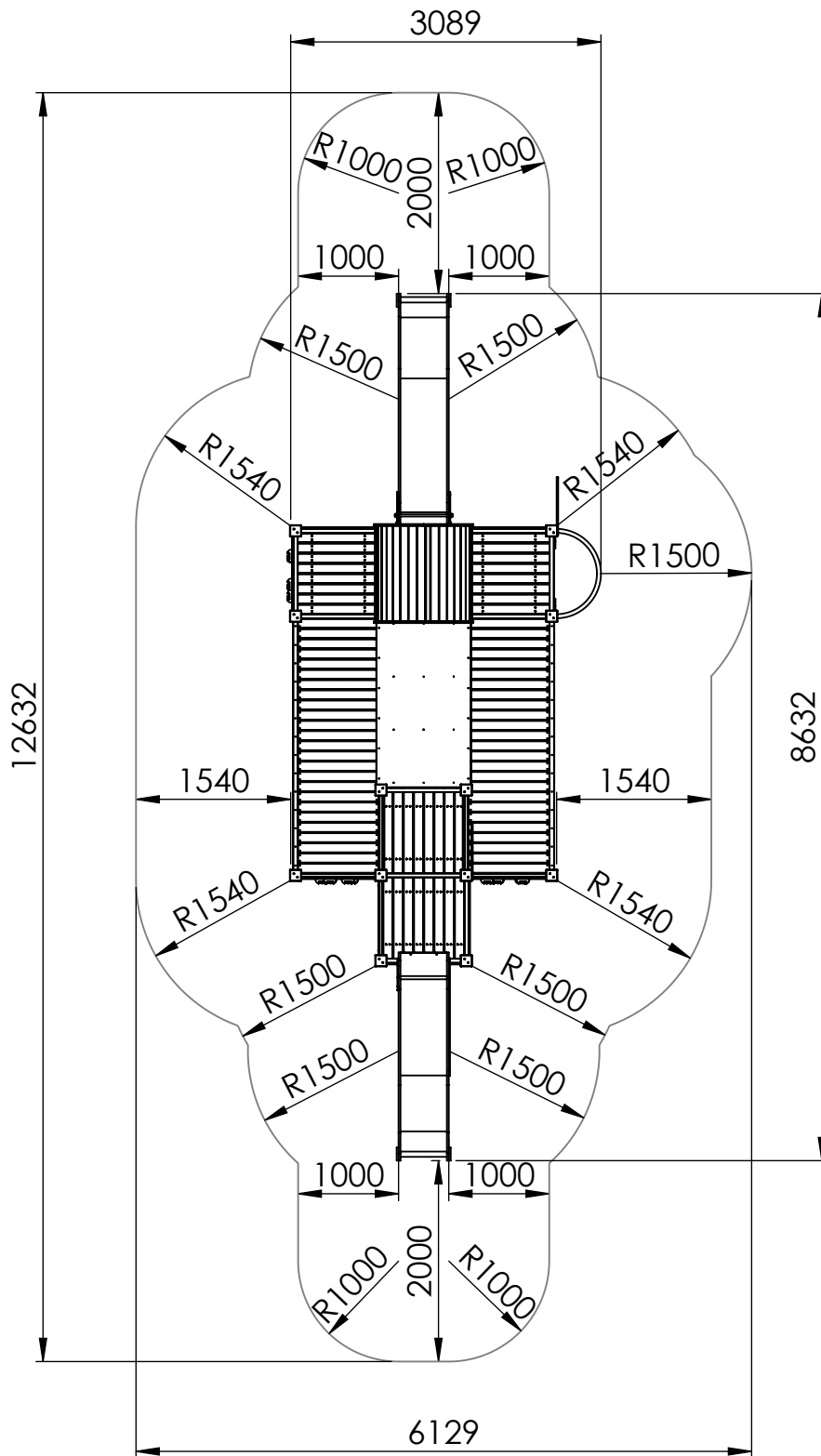
A

B

C

D

E



UNLESS OTHERWISE SPECIFIED:
DIMENSIONS ARE IN MILLIMETERS
WEIGHT ARE IN KILOGRAMM

PART NUMBER / DWG NO.:

MM119

	NAME	SIGNATURE	DATE	REVISION
DRAWN	M.Rebase		05.05.2017	
APPV'D				

DESCRIPTION:

Playship FRAM



Tiptap OÜ

Tiptap OÜ
Veetorni 9,
Jüri alevik, Rae vald,
75301 Harjumaa

MATERIAL:

wood, metal, plastic

A4

WEIGHT:

SCALE: 1:70

SHEET 2 OF 25

foundation

A

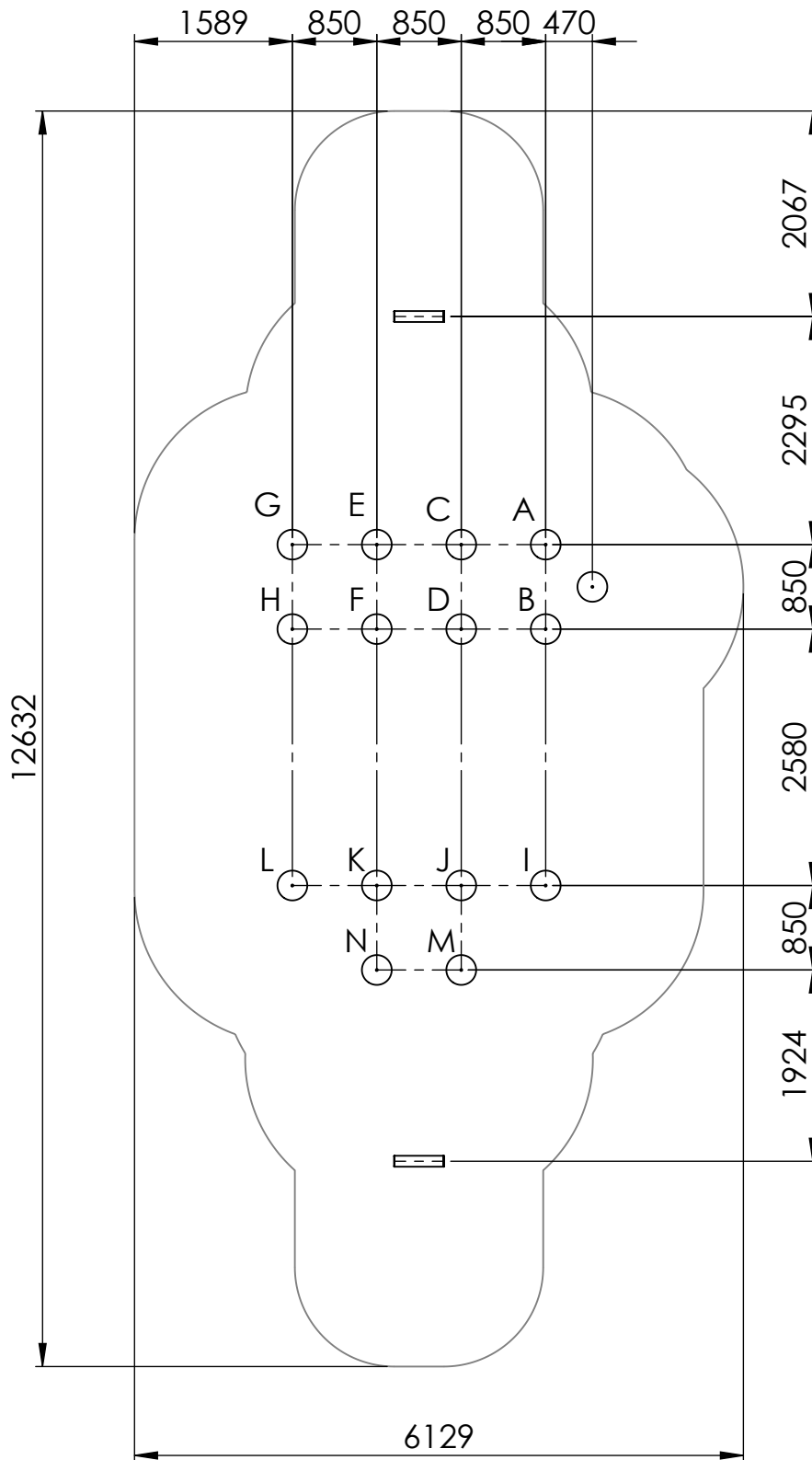
B

C

D

E

F



UNLESS OTHERWISE SPECIFIED:
DIMENSIONS ARE IN MILLIMETERS
WEIGHT ARE IN KILOGRAMM

PART NUMBER / DWG NO.:

MM119

	NAME	SIGNATURE	DATE	REVISION
DRAWN	M.Rebase		05.05.2017	
APPV'D				

DESCRIPTION:

Playship FRAM



Tiptap OÜ

Tiptap OÜ
Veetorni 9,
Jüri alevik, Rae vald,
75301 Harjumaa

MATERIAL:

wood, metal, plastic

A4

WEIGHT:

SCALE: 1:70

SHEET 3 OF 25

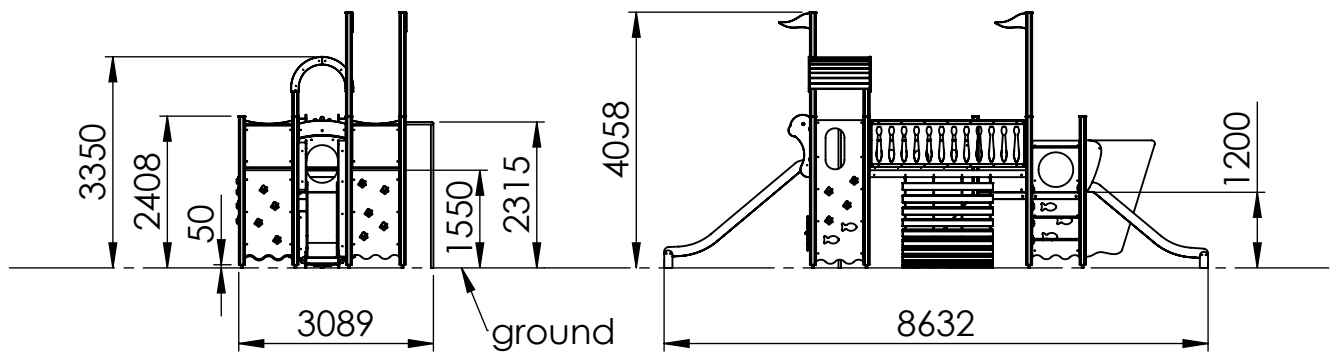
1

2

3

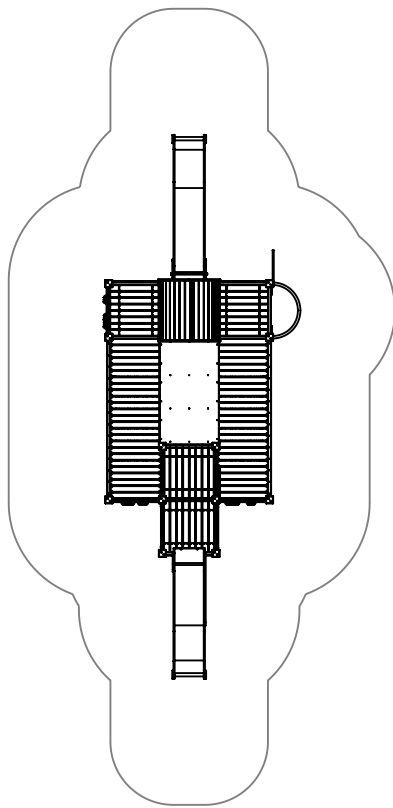
4

A



B

C



D

E

UNLESS OTHERWISE SPECIFIED:
DIMENSIONS ARE IN MILLIMETERS
WEIGHT ARE IN KILOGRAMM

PART NUMBER / DWG NO.:

MM119

	NAME	SIGNATURE	DATE	REVISION
DRAWN	M.Rebase		05.05.2017	
APPV'D				

DESCRIPTION:

Playship FRAM

F



Tiptaptap OÜ

Tiptaptap OÜ
Veetorni 9,
Jüri alevik, Rae vald,
75301 Harjumaa

MATERIAL:

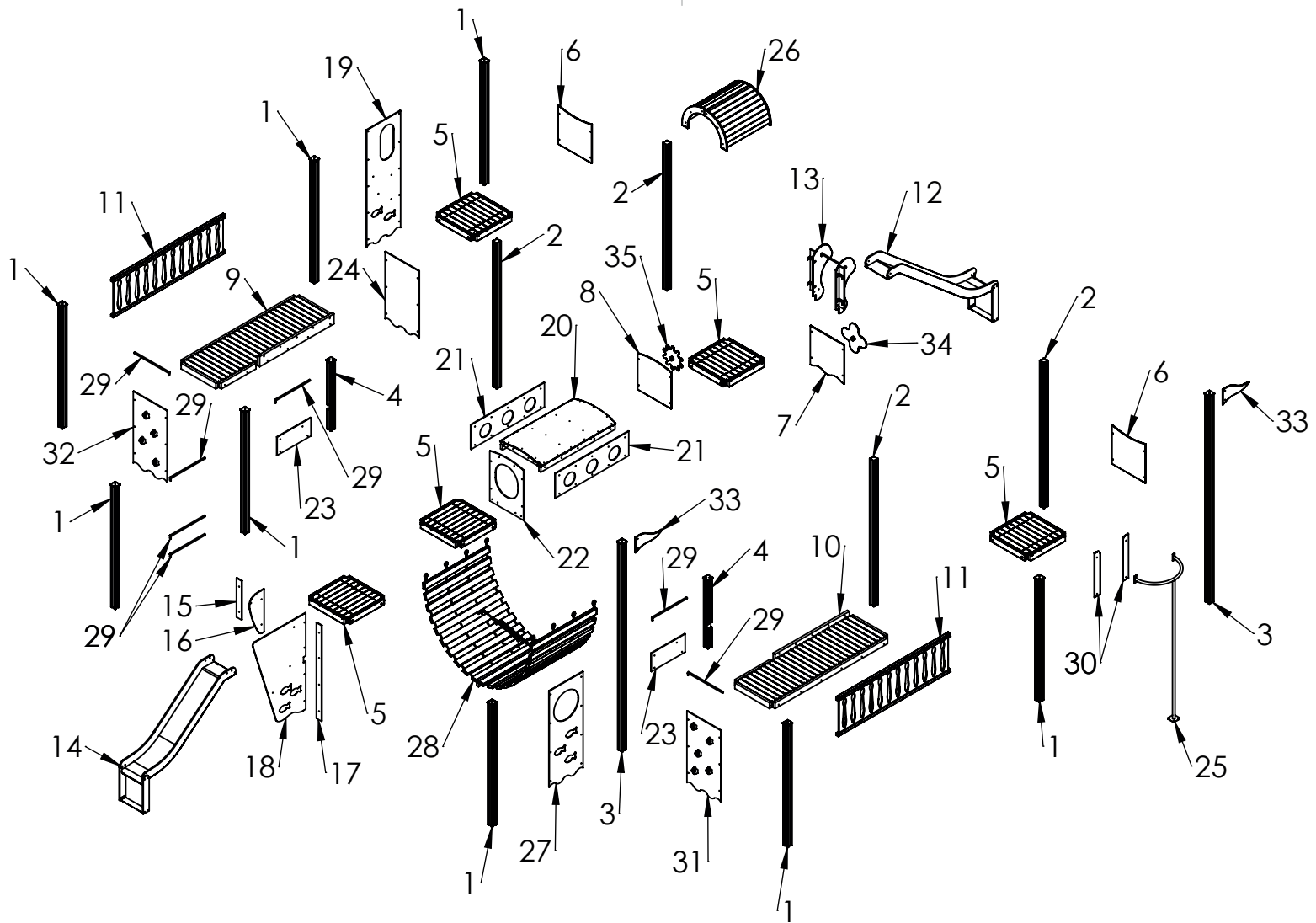
wood, metal, plastic

A4

WEIGHT:

SCALE: 1:120

SHEET 4 OF 25



UNLESS OTHERWISE SPECIFIED:
 DIMENSIONS ARE IN MILLIMETERS
 WEIGHT ARE IN KILOGRAMM

	NAME	SIGNATURE	DATE	REVISION
DRAWN	M.Rebase		05.05.2017	
APPV'D				


Tiptaptap OÜ
 Tiptaptap OÜ
 Veetorni 9,
 Jüri alevik, Rae vald,
 75301 Harjumaa

PART NUMBER / DWG NO.: **MM119**

DESCRIPTION: **Playship FRAM**

MATERIAL:	wood, metal, plastic	A4
WEIGHT:		SCALE: 1:100
		SHEET 5 OF 25

ITEM NO.	PART NUMBER	DESCRIPTION	QTY.
A 1	post 98x98x2350	laminated wood	8
2	post 98x98x2800	laminated wood	4
3	post 98x98x4000	laminated wood	2
4	post 98x98x1320	laminated wood	2
5	platform	laminated wood, metal	5
B 6	panel 750x750	plywood	2
7	panel 750x750	plywood	1
8	panel 750x750	plywood	1
9	left platvorm L-2500	laminated wood	1
10	right platvorm L-2500	laminated wood	1
11	panel 745x2488	PE plastic	2
12	slide h_1550	stainless steel, PE plastic	1
13	slide guard block	plywood, metal, plastic	1
14	slide h_1200	stainless steel, PE plastic	1
15	panel 114x750	plywood	1
16	slide side panel	plywood	1
C 17	panel 114x1840	plywood	1
18	panel 1190x1850	plywood, metal	1
19	panel 750x2280	plywood	1
20	ships hold	wood, PE plastic	1
21	panel 1630x470	plywood	2
22	paenel 750x1008	PE plastic	1
23	panel 750x350	plywood	2
24	panel 750x1325	plywood	1
D 25	climbing pole	painted steel	1
26	roof	PE plastic	1
27	climbing wall 750x1880	plywood	1
28	climbing net	wood, PP covered steel wire	1
29	guardrail ϕ 25x770	painted steel	7
30	panel 850x126	plywood	2
31	panel 750x1410, 5 steps	plywood	1
E 32	panel 750x1410, 4 steps	plywood	1
33	flag	plywood	2
34	ship propeller	plywood, PE plastic	1
35	captain wheel	PE plastic	1

UNLESS OTHERWISE SPECIFIED:
DIMENSIONS ARE IN MILLIMETERS
WEIGHT ARE IN KILOGRAMM

PART NUMBER / DWG NO.:

MM119

	NAME	SIGNATURE	DATE	REVISION
DRAWN	M.Rebase		05.05.2017	
APPV'D				

DESCRIPTION:

Playship FRAM

MATERIAL:

wood, metal, plastic

A4

WEIGHT:

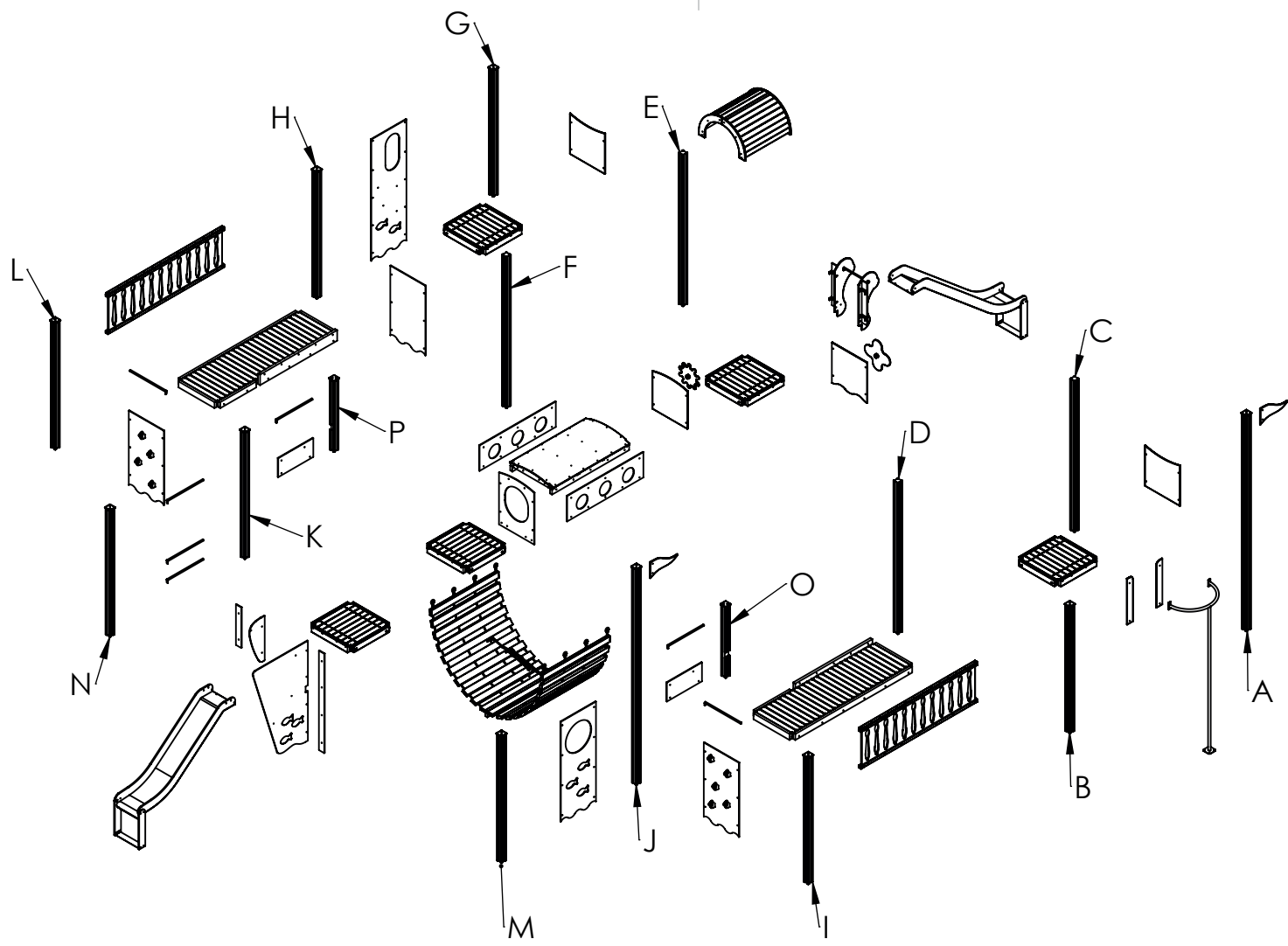
SCALE: 1:100

SHEET 6 OF 25



Tiptiptap OÜ

Tiptiptap OÜ
Veetorni 9,
Jüri alevik, Rae vald,
75301 Harjumaa



UNLESS OTHERWISE SPECIFIED:
 DIMENSIONS ARE IN MILLIMETERS
 WEIGHT ARE IN KILOGRAMM

	NAME	SIGNATURE	DATE	REVISION
DRAWN	M.Rebase		05.05.2017	
APPV'D				

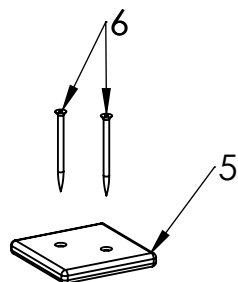

Tiptap OÜ
 Tiptap OÜ
 Veetorni 9,
 Jüri alevik, Rae vald,
 75301 Harjumaa

PART NUMBER / DWG NO.: **MM119**

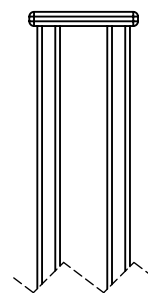
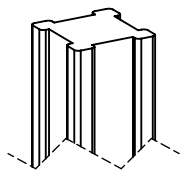
DESCRIPTION: **Playship FRAM**

MATERIAL:	wood, metal, plastic	A4
WEIGHT:	SCALE: 1:100	SHEET 7 OF 25

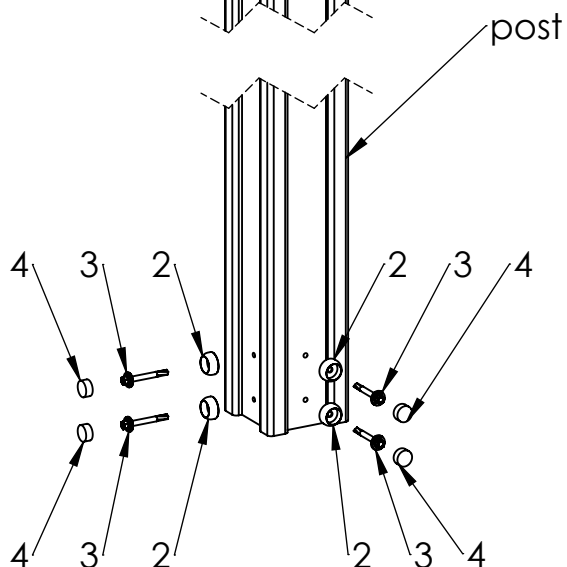
A



B



C



ground

concrete

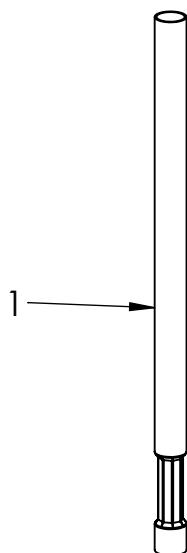
50

200

450

500

D

 $\varnothing 300$

E

ITEM NO.	PART NUMBER
1	metal ground fixing L_600
2	nut cover M6
3	screw 5,5x50 DIN7504K
4	nut cover cap M6
5	plastic cap 115x115
6	wood screw 6 x 90

UNLESS OTHERWISE SPECIFIED:
DIMENSIONS ARE IN MILLIMETERS
WEIGHT ARE IN KILOGRAMM

PART NUMBER / DWG NO.:

MM119

	NAME	SIGNATURE	DATE	REVISION
DRAWN	M.Rebase		05.05.2017	
APPV'D				

DESCRIPTION:

Playship FRAM
connecting metal ground fixing to post

F



Tiptiptap OÜ

Tiptiptap OÜ
Veetorni 9,
Jüri alevik, Rae vald,
75301 Harjumaa

MATERIAL:

wood, metal, plastic

A4

WEIGHT:

SCALE: 1:8

SHEET 8 OF 25

A

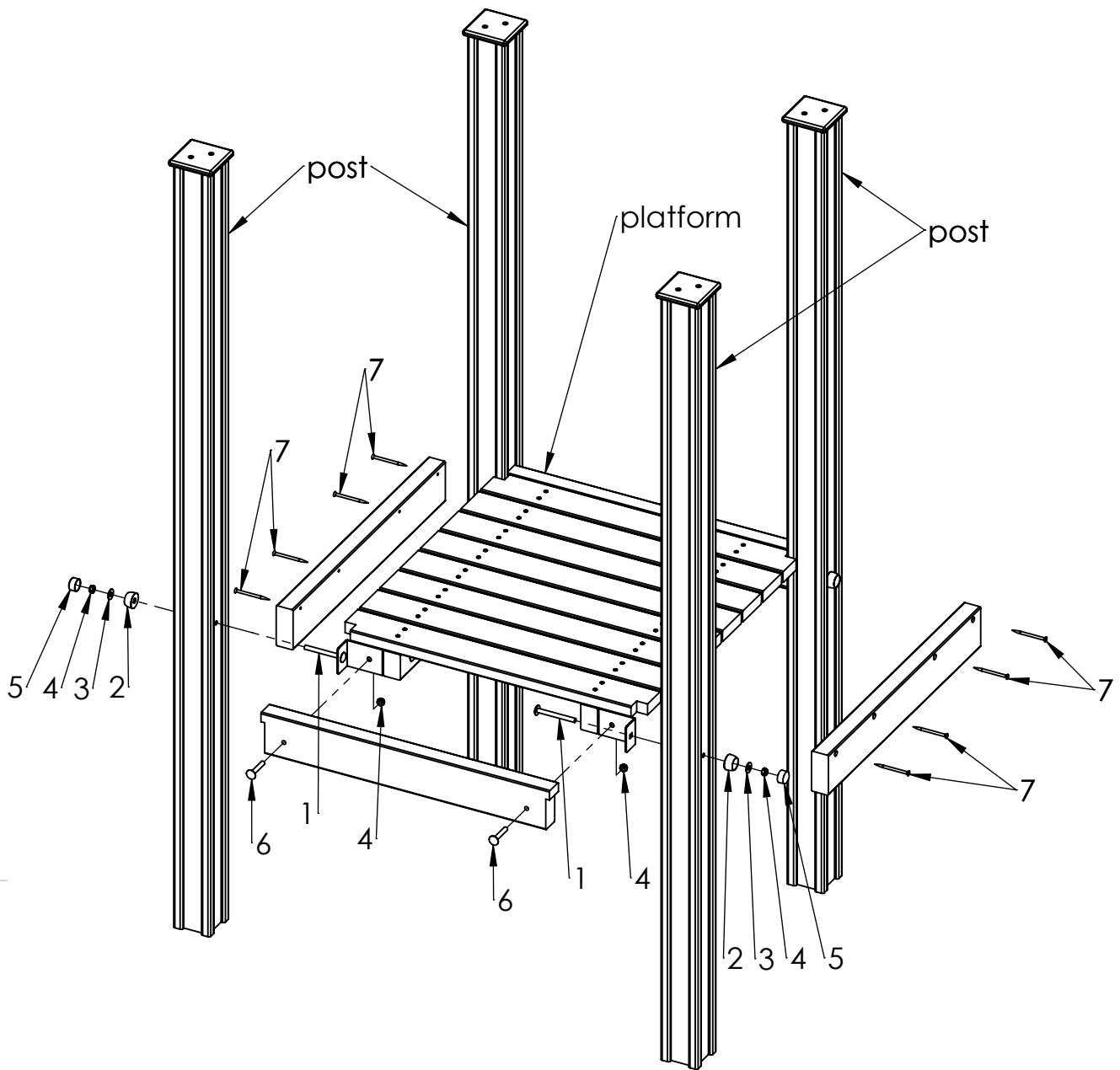
B

C

D

E

F



ITEM NO.	PART NUMBER
1	bolt M10x100 DIN603
2	nut cover M12
3	washer M10 DIN7349
4	nut M10 DIN985
5	nut cover cap M12
6	bolt M10x60 DIN603
7	wood screw 6 x 90

UNLESS OTHERWISE SPECIFIED:
DIMENSIONS ARE IN MILLIMETERS
WEIGHT ARE IN KILOGRAMM

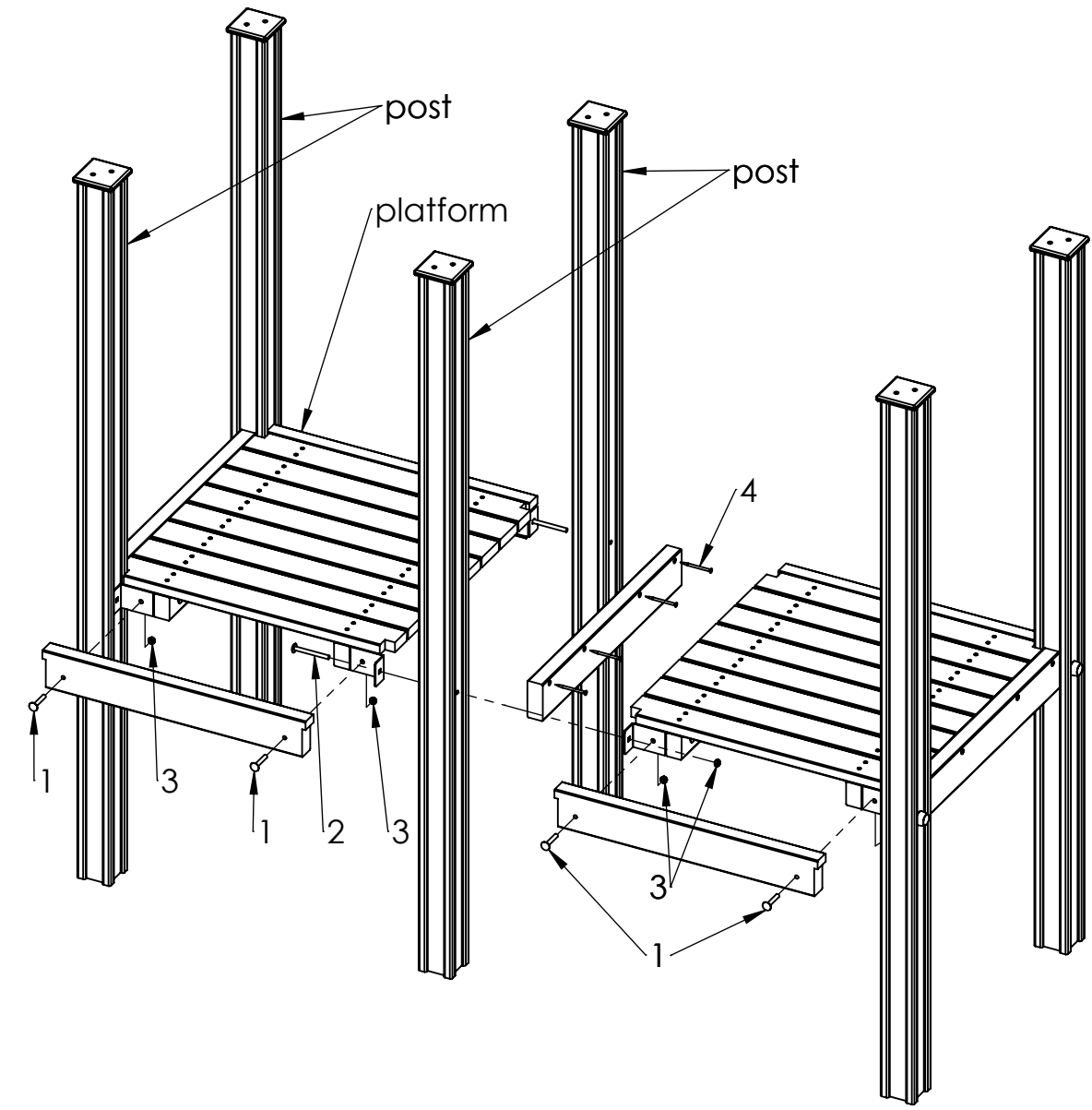
	NAME	SIGNATURE	DATE	REVISION
DRAWN	M.Rebase		05.05.2017	
APPV'D				

PART NUMBER / DWG NO.:	MM119
DESCRIPTION:	Playship FRAM connecting platform to post



Tiptiptap OÜ
Veetorni 9,
Jüri alevik, Rae vald,
75301 Harjumaa

MATERIAL:	wood, metal, plastic	A4
WEIGHT:	SCALE: 1:15	SHEET 9 OF 25



ITEM NO.	PART NUMBER
1	bolt M10x60 DIN603
2	bolt M10x100 DIN603
3	nut M10 DIN985
4	wood screw 6 x 90
5	nut cover M12
6	washer M10 DIN7349
7	nut cover cap M12

UNLESS OTHERWISE SPECIFIED:
DIMENSIONS ARE IN MILLIMETERS
WEIGHT ARE IN KILOGRAMM

PART NUMBER / DWG NO.:

MM119

	NAME	SIGNATURE	DATE	REVISION
DRAWN	M.Rebase		05.05.2017	
APPV'D				

DESCRIPTION:

Playship FRAM
connecting two platforms

MATERIAL:

wood, metal, plastic

A4

WEIGHT:

SCALE: 1:18

SHEET 10 OF 25



Tiptap OÜ

Tiptap OÜ
Veetorni 9,
Jüri alevik, Rae vald,
75301 Harjumaa

A

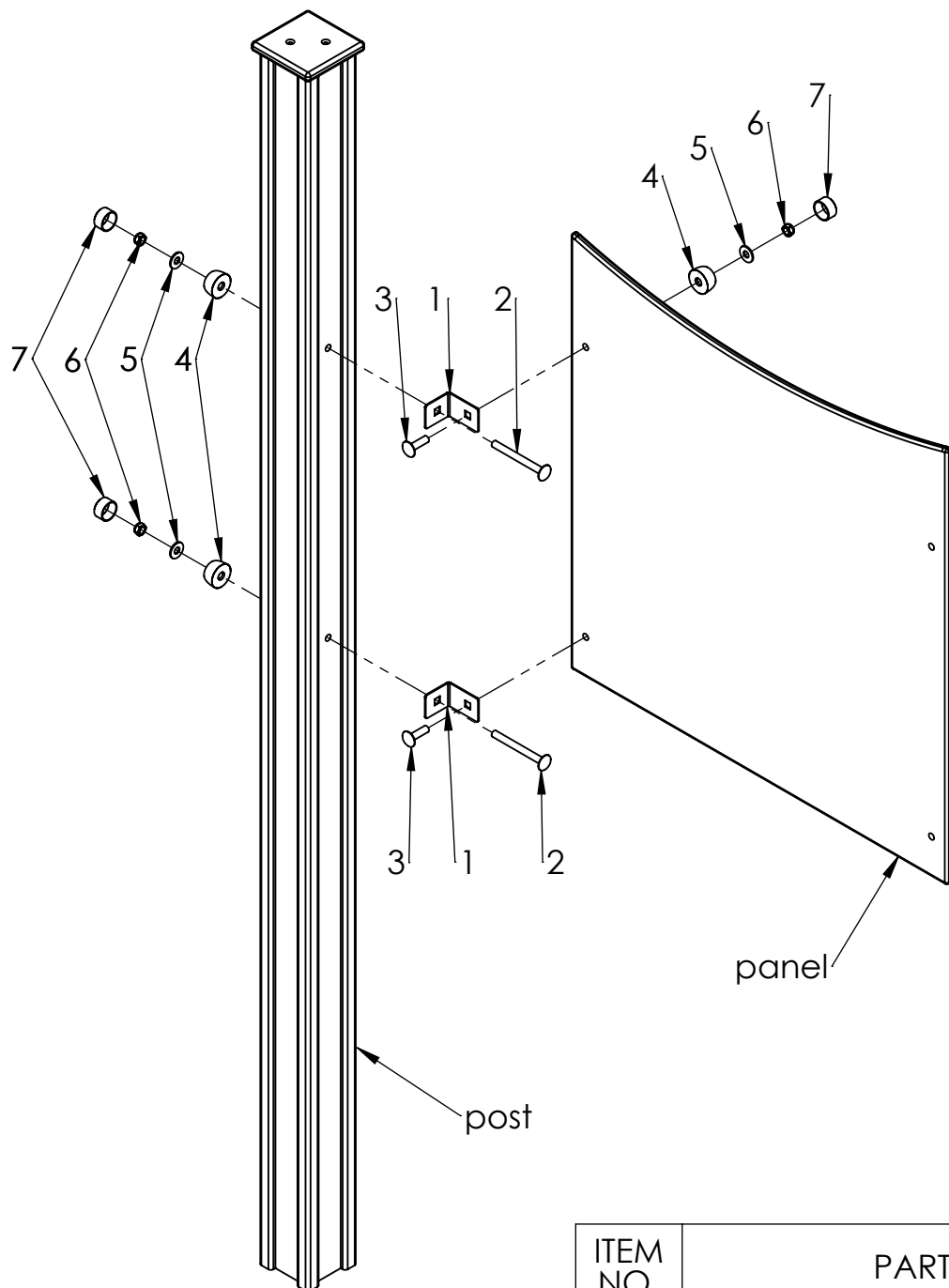
B

C

D

E

F



ITEM NO.	PART NUMBER
1	corner 48x60
2	bolt M10x100 DIN603
3	bolt M10x35 DIN603
4	nut cover M12
5	washer M10 DIN7349
6	nut M10 DIN985
7	nut cover cap M12

UNLESS OTHERWISE SPECIFIED:
DIMENSIONS ARE IN MILLIMETERS
WEIGHT ARE IN KILOGRAMM

PART NUMBER / DWG NO.:

MM119

	NAME	SIGNATURE	DATE	REVISION
DRAWN	M.Rebase		05.05.2017	
APPV'D				

DESCRIPTION:

Playship FRAM
connecting panel to post

MATERIAL:

wood, metal, plastic

A4

WEIGHT:

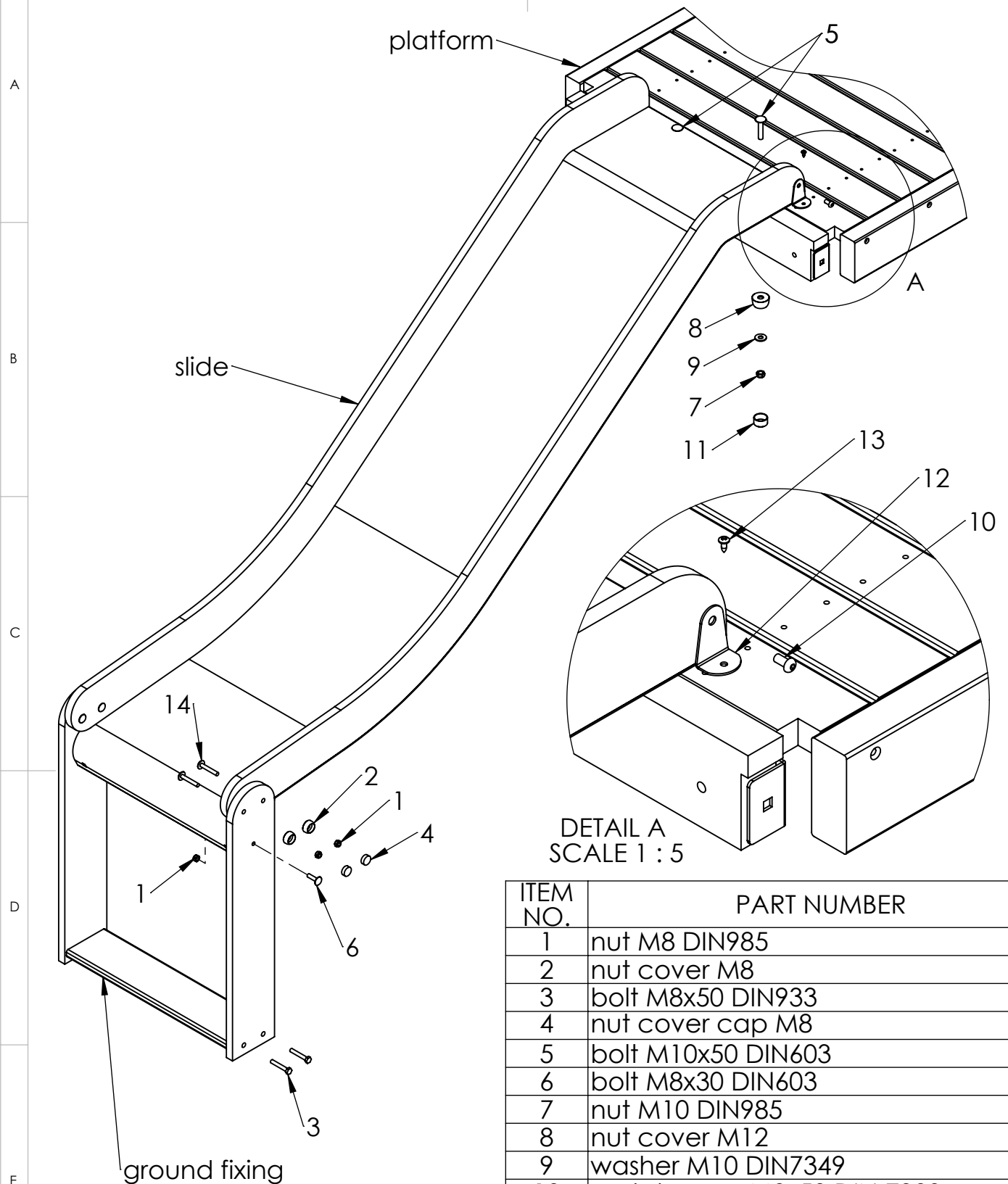
SCALE: 1:10

SHEET 11 OF 25



Tiptap OÜ

Tiptap OÜ
Veetorni 9,
Jüri alevik, Rae vald,
75301 Harjumaa



DETAIL A
SCALE 1 : 5

ITEM NO.	PART NUMBER
1	nut M8 DIN985
2	nut cover M8
3	bolt M8x50 DIN933
4	nut cover cap M8
5	bolt M10x50 DIN603
6	bolt M8x30 DIN603
7	nut M10 DIN985
8	nut cover M12
9	washer M10 DIN7349
10	metal screw M8x50 DIN 7380
11	nut cover cap M12
12	corner 58x30
13	wood screw 4,8x13
14	bolt M8x50 DIN603

UNLESS OTHERWISE SPECIFIED:
DIMENSIONS ARE IN MILLIMETERS
WEIGHT ARE IN KILOGRAMM

PART NUMBER / DWG NO.:

MM119

	NAME	SIGNATURE	DATE	REVISION
DRAWN	M.Rebase		05.05.2017	
APPV'D				

DESCRIPTION:

Playship FRAM
connecting slide to platform

MATERIAL:

wood, metal, plastic

A4

WEIGHT:

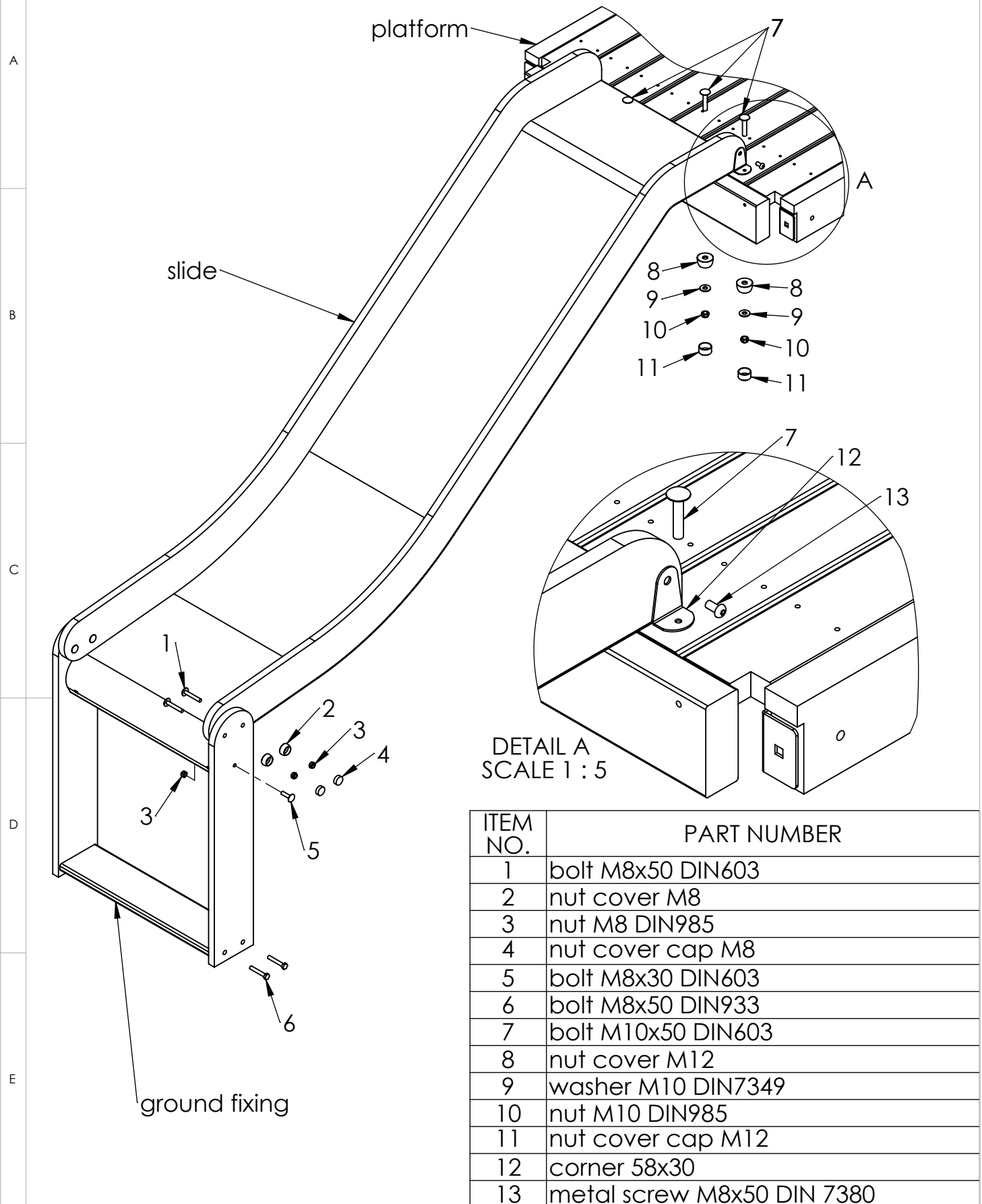
SCALE: 1:12

SHEET 12 OF 25



Tiptiptap OÜ

Tiptiptap OÜ
Veetorni 9,
Jüri alevik, Rae vald,
75301 Harjumaa



UNLESS OTHERWISE SPECIFIED:
DIMENSIONS ARE IN MILLIMETERS
WEIGHT ARE IN KILOGRAMM

PART NUMBER / DWG NO.:

MM119

	NAME	SIGNATURE	DATE	REVISION
DRAWN	M.Rebase		05.05.2017	
APPV'D				

DESCRIPTION:

Playship FRAM
connecting slide to platform

MATERIAL:

wood, metal, plastic

A4

WEIGHT:

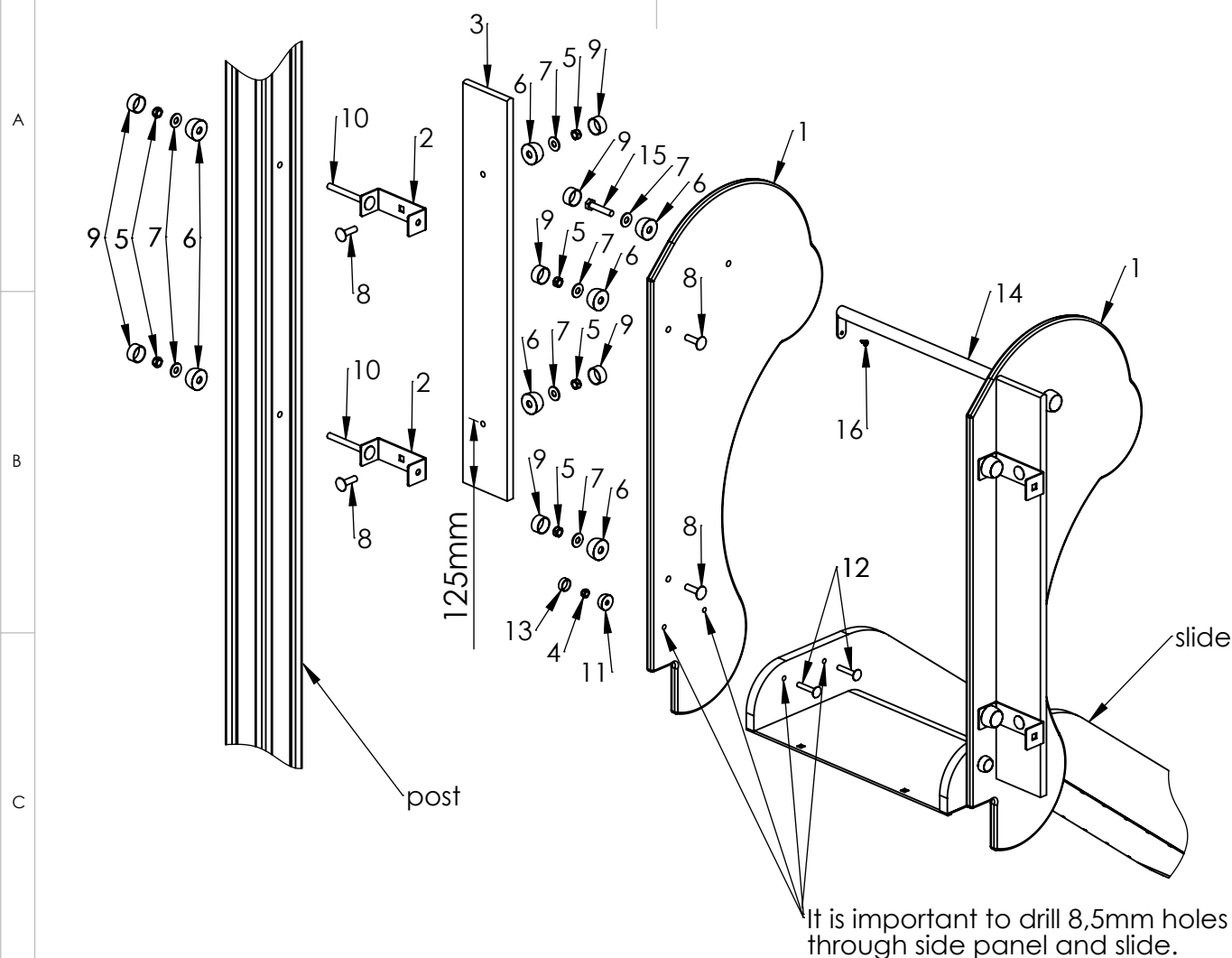
SCALE: 1:12

SHEET 13 OF 25



Tiptap OÜ

Tiptap OÜ
Veetorni 9,
Jüri alevik, Rae vald,
75301 Harjumaa



It is important to drill 8,5mm holes through side panel and slide.

ITEM NO.	PART NUMBER
1	slide side panel
2	slide side panel fixing 40x120
3	side panel 110x780
4	nut M8 DIN985
5	nut M10 DIN985
6	nut cover M12
7	washer M10 DIN7349
8	bolt M10x35 DIN603
9	nut cover cap M12
10	bolt M10x100 DIN603
11	nut cover M8
12	bolt M8x45 DIN603
13	nut cover cap M8
14	slide guardrail
15	bolt M10x50 DIN931
16	wood screw 4,8x13

UNLESS OTHERWISE SPECIFIED:
DIMENSIONS ARE IN MILLIMETERS
WEIGHT ARE IN KILOGRAMM

PART NUMBER / DWG NO.:

MM119

	NAME	SIGNATURE	DATE	REVISION
DRAWN	M.Rebase		05.05.2017	
APPV'D				

DESCRIPTION:

Playship FRAM
connecting silde quard block to post

MATERIAL:

wood, metal, plastic

A4

WEIGHT:

SCALE: 1:12

SHEET 14 OF 25



Tiptap OÜ

Tiptap OÜ
Veetorni 9,
Jüri alevik, Rae vald,
75301 Harjumaa

A

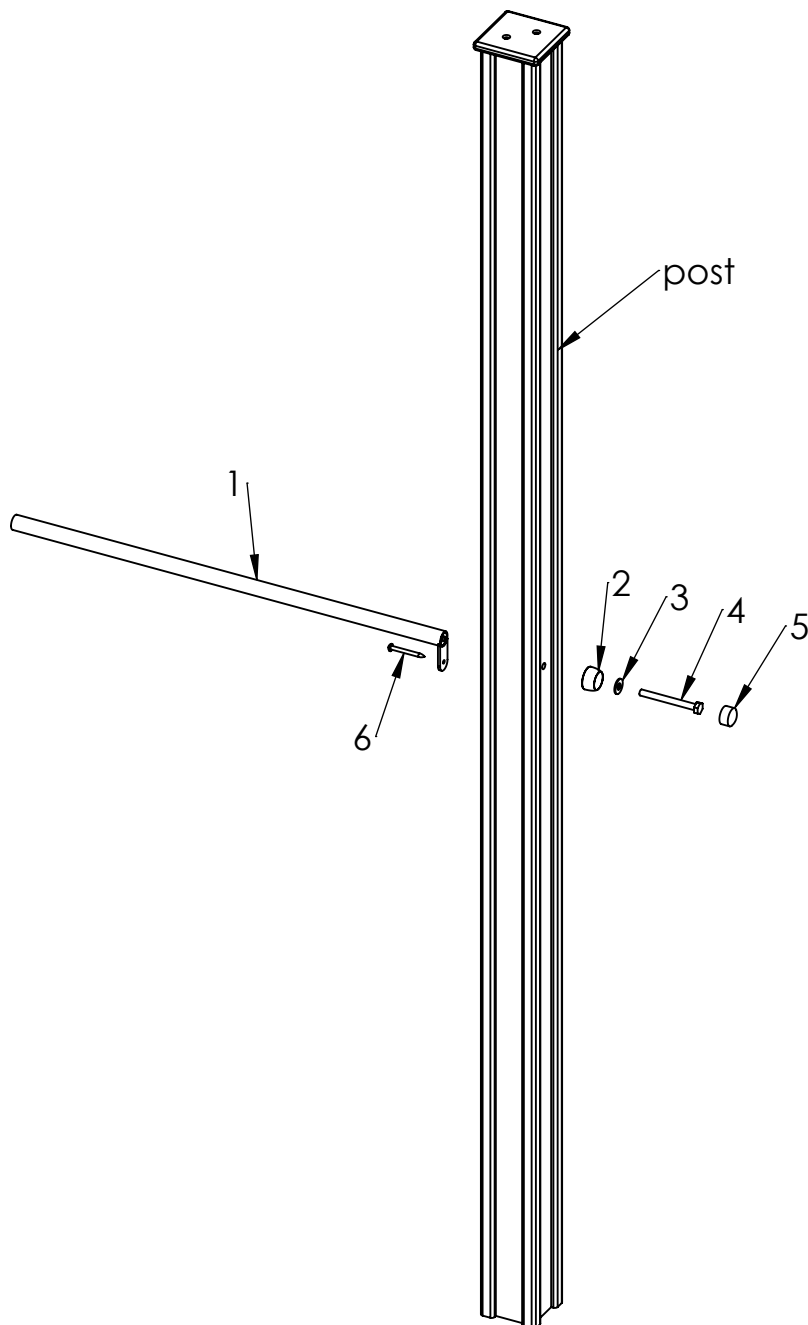
B

C

D

E

F



ITEM NO.	PART NUMBER
1	guardrail ϕ 25x770
2	nut cover M12
3	washer M10 DIN7349
4	bolt M10x100 DIN931
5	nut cover cap M12
6	screw 5,0x40

UNLESS OTHERWISE SPECIFIED:
DIMENSIONS ARE IN MILLIMETERS
WEIGHT ARE IN KILOGRAMM

	NAME	SIGNATURE	DATE	REVISION
DRAWN	M.Rebase		05.05.2017	
APPV'D				

PART NUMBER / DWG NO.:

MM119
connecting guardrail to post

DESCRIPTION:

Playship FRAM

MATERIAL:

wood, metal, plastic

A4

WEIGHT:

SCALE: 1:12

SHEET 15 OF 25



Tiptaptap OÜ

Tiptaptap OÜ
Veetorni 9,
Jüri alevik, Rae vald,
75301 Harjumaa

A

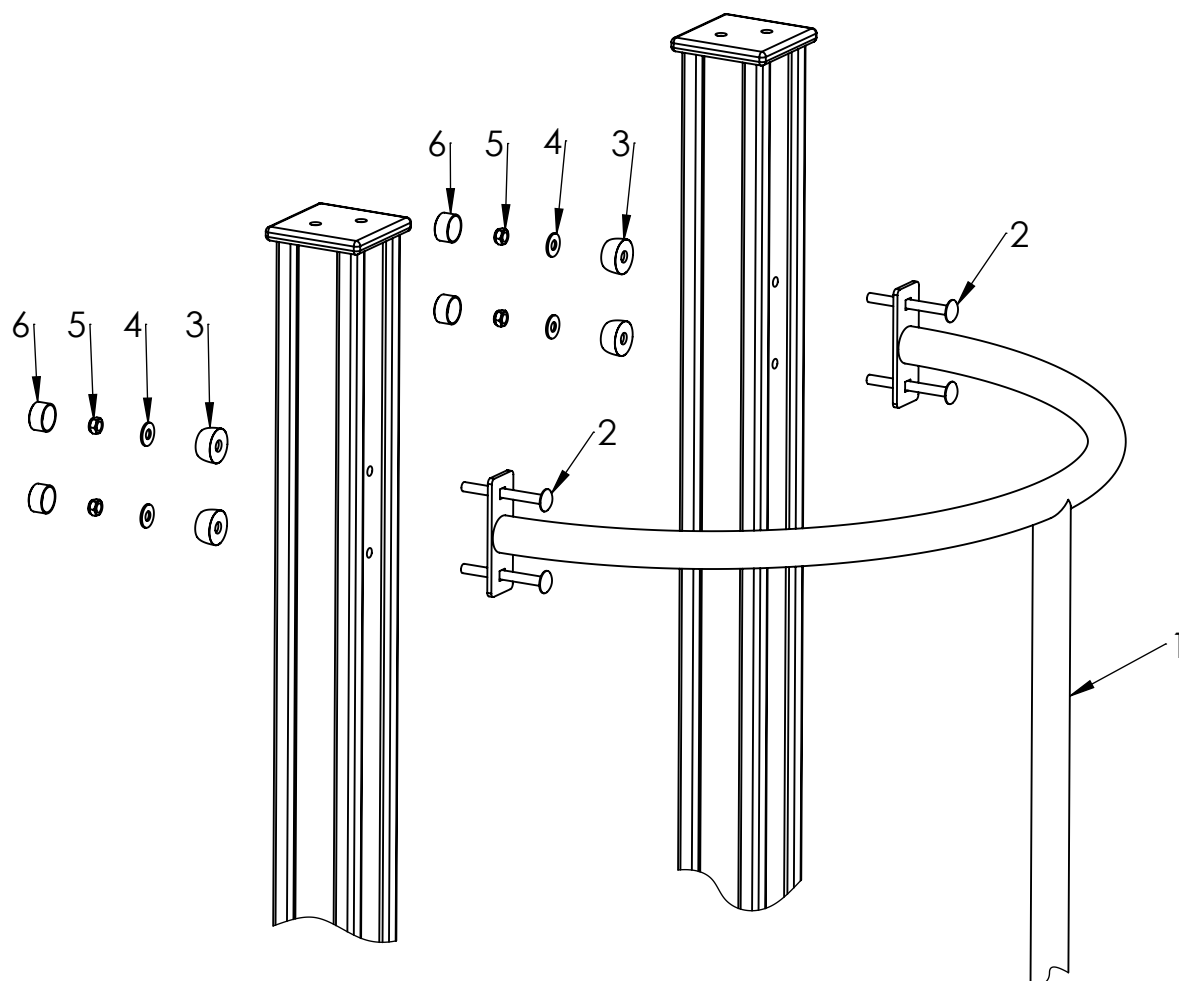
B

C

D

E

F



ITEM NO.	PART NUMBER
1	climbing pole
2	bolt M10x100 DIN603
3	nut cover M12
4	washer M10 DIN7349
5	nut M10 DIN985
6	nut cover cap M12

UNLESS OTHERWISE SPECIFIED:
DIMENSIONS ARE IN MILLIMETERS
WEIGHT ARE IN KILOGRAMM

PART NUMBER / DWG NO.:

MM119

	NAME	SIGNATURE	DATE	REVISION
DRAWN	M.Rebase		05.05.2017	
APPV'D				

DESCRIPTION:

Playship FRAM
connecting climbing pole to post

MATERIAL:

wood, metal, plastic

A4

WEIGHT:

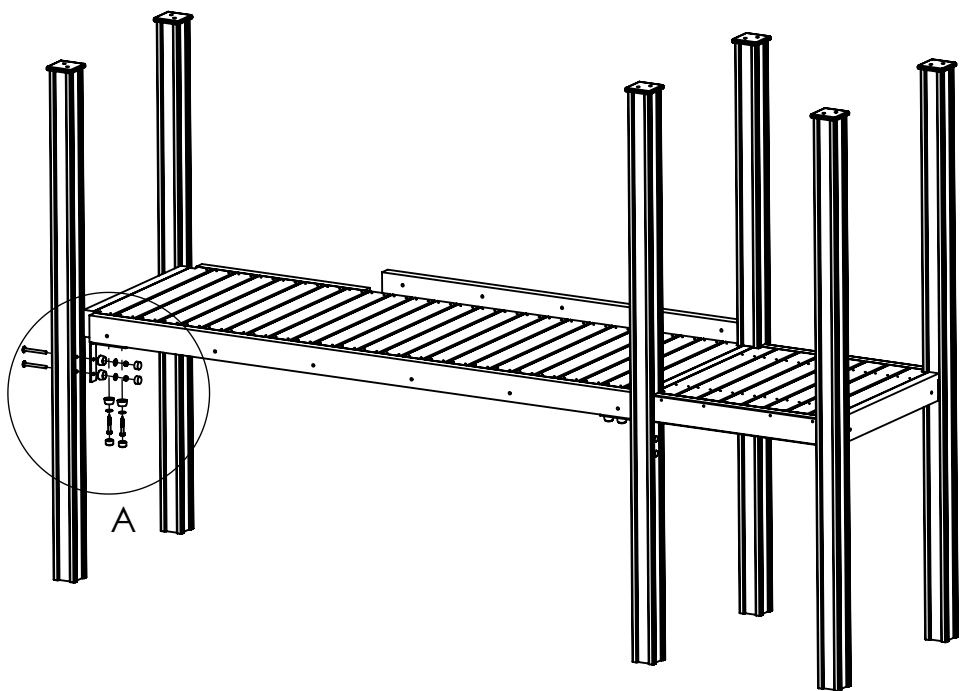
SCALE: 1:8

SHEET 16 OF 25



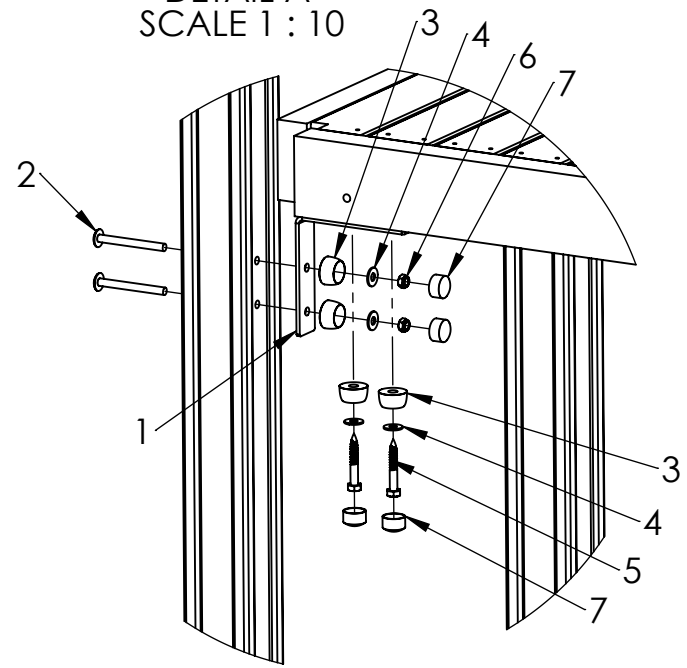
Tiptiptap OÜ

Tiptiptap OÜ
Veetorni 9,
Jüri alevik, Rae vald,
75301 Harjumaa



ITEM NO.	PART NUMBER
1	corner 125x150x45
2	bolt M10x100 DIN603
3	nut cover M12
4	washer M10 DIN7349
5	wood screw 10x70 DIN571
6	nut M10 DIN985
7	nut cover cap M12

DETAIL A
SCALE 1 : 10



UNLESS OTHERWISE SPECIFIED:
DIMENSIONS ARE IN MILLIMETERS
WEIGHT ARE IN KILOGRAMM

	NAME	SIGNATURE	DATE	REVISION
DRAWN	M.Rebase		05.05.2017	
APPV'D				



Tiptiptap OÜ
Tiptiptap OÜ
Veetorni 9,
Jüri alevik, Rae vald,
75301 Harjumaa

PART NUMBER / DWG NO.:		MM119	
DESCRIPTION:		Playship FRAM connecting platform to post	
MATERIAL:	wood, metal, plastic	A4	
WEIGHT:		SCALE: 1:30	SHEET 17 OF 25

1 2 3 4 5 6

A

A

B

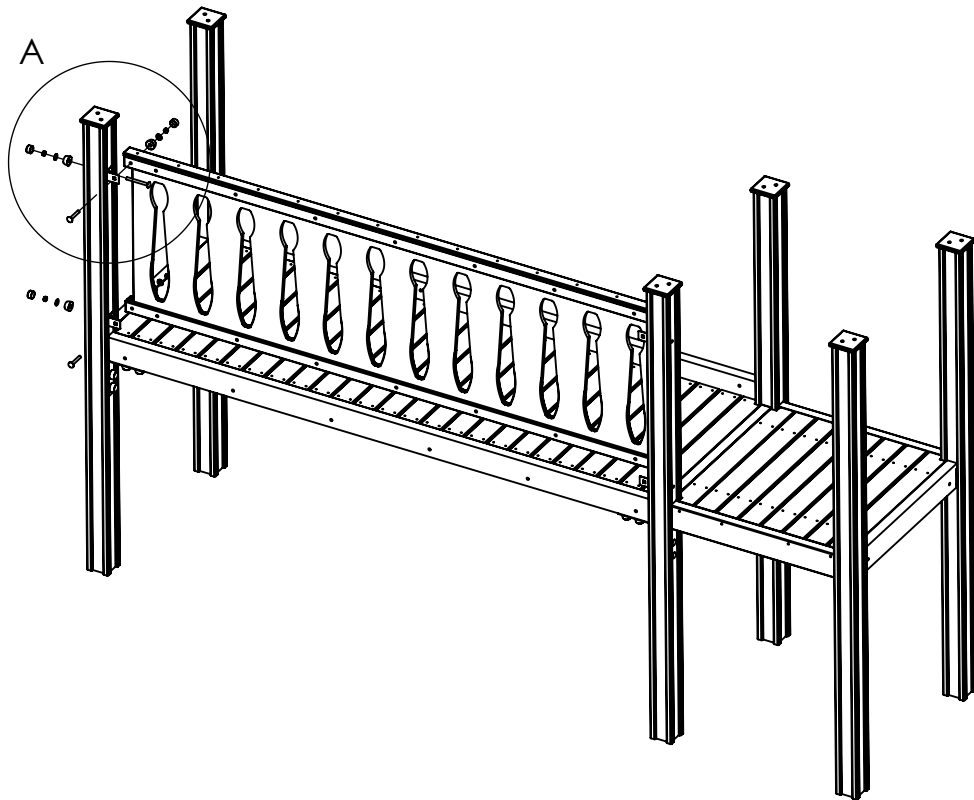
B

C

C

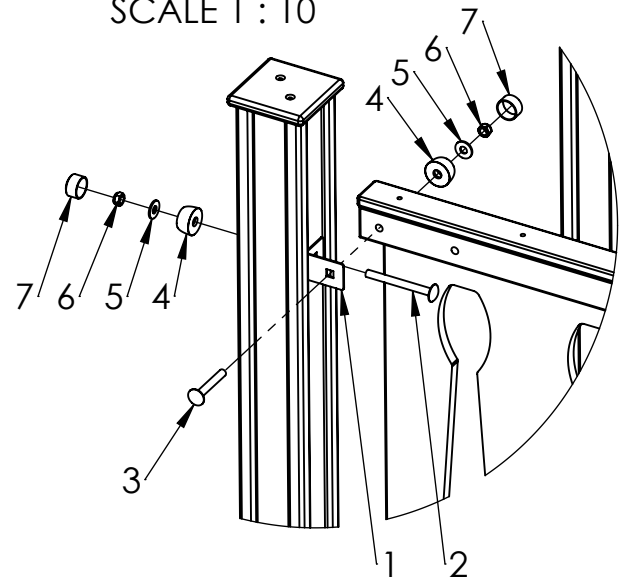
D

D



ITEM NO.	PART NUMBER
1	corner 48x60
2	bolt M10x100 DIN603
3	bolt M10x70 DIN603
4	nut cover M12
5	washer M10 DIN7349
6	nut M10 DIN985
7	nut cover cap M12

DETAIL A
SCALE 1 : 10



UNLESS OTHERWISE SPECIFIED:
DIMENSIONS ARE IN MILLIMETERS
WEIGHT ARE IN KILOGRAMM

	NAME	SIGNATURE	DATE	REVISION
DRAWN	M.Rebase		05.05.2017	
APPV'D				

PART NUMBER / DWG NO.:
MM119

DESCRIPTION:
**Playship FRAM
connecting side panel to post**



Tiptaptap OÜ
Tiptaptap OÜ
Veetorni 9,
Jüri alevik, Rae vald,
75301 Harjumaa

MATERIAL:
wood, metal, plastic

A4

WEIGHT: SCALE: 1:30 SHEET 18 OF 25

1 2

A

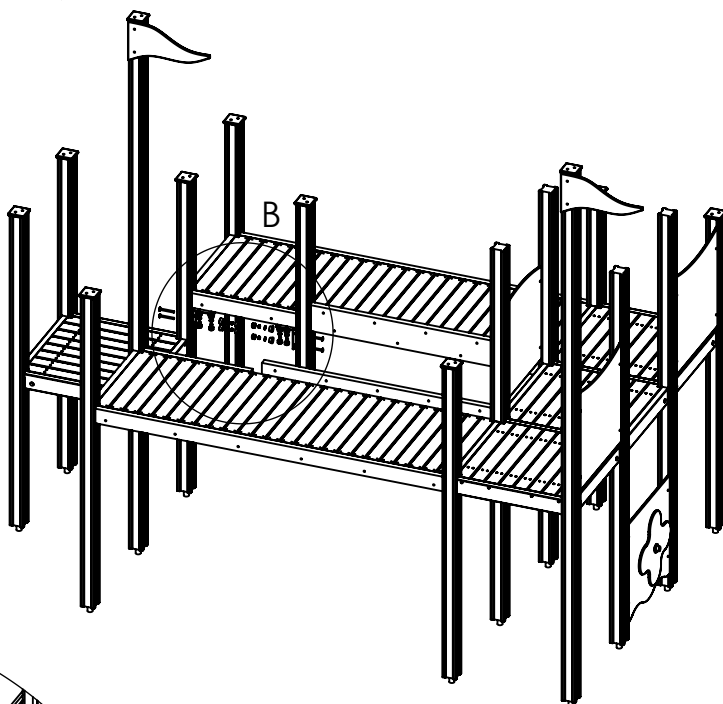
B

C

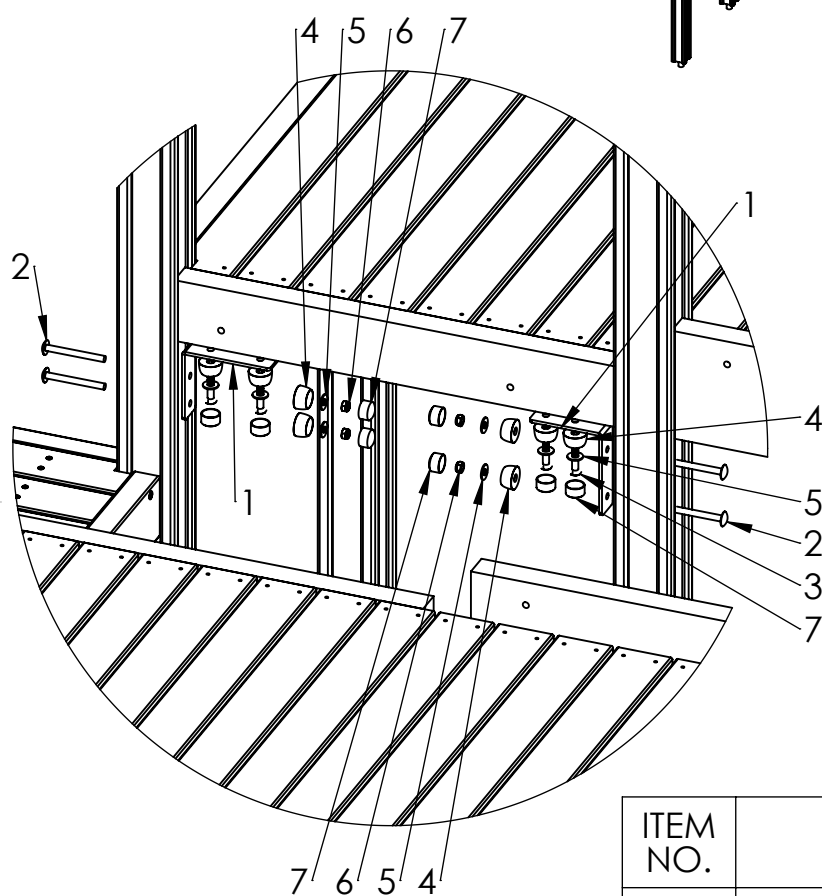
D

E

F



DETAIL B
SCALE 1 : 12



ITEM NO.	PART NUMBER
1	corner 125x150x45
2	bolt M10x100 DIN603
3	wood screw 10x70 DIN571
4	nut cover M12
5	washer M10 DIN7349
6	nut M10 DIN985
7	nut cover cap M12

UNLESS OTHERWISE SPECIFIED:
DIMENSIONS ARE IN MILLIMETERS
WEIGHT ARE IN KILOGRAMM

	NAME	SIGNATURE	DATE	REVISION
DRAWN	M.Rebase		05.05.2017	
APPV'D				

PART NUMBER / DWG NO.:

MM119

DESCRIPTION:

Playship FRAM

MATERIAL:

wood, metal, plastic

A4

WEIGHT:

SCALE: 1:50

SHEET 19 OF 25



Tiptaptap OÜ

Tiptaptap OÜ
Veetorni 9,
Jüri alevik, Rae vald,
75301 Harjumaa

A

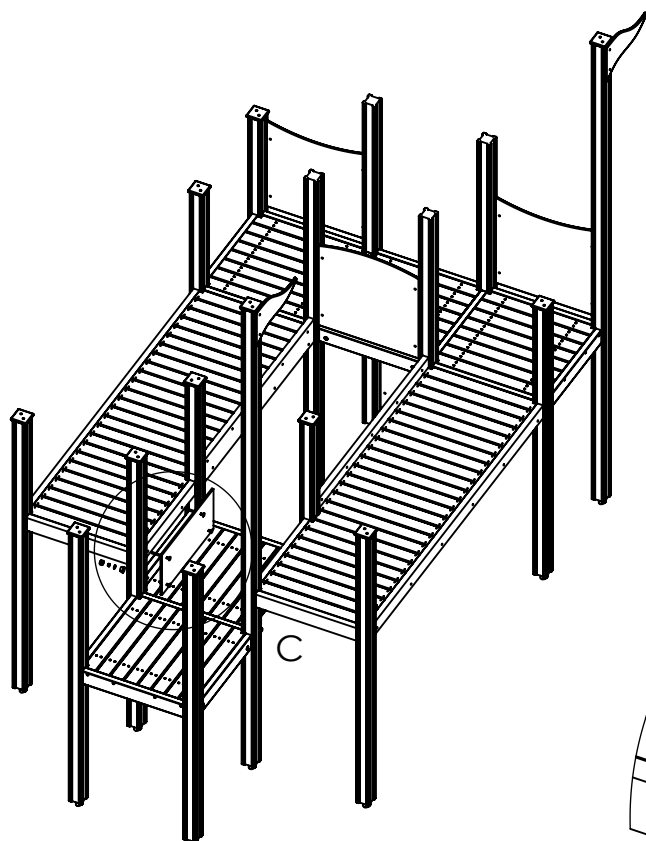
B

C

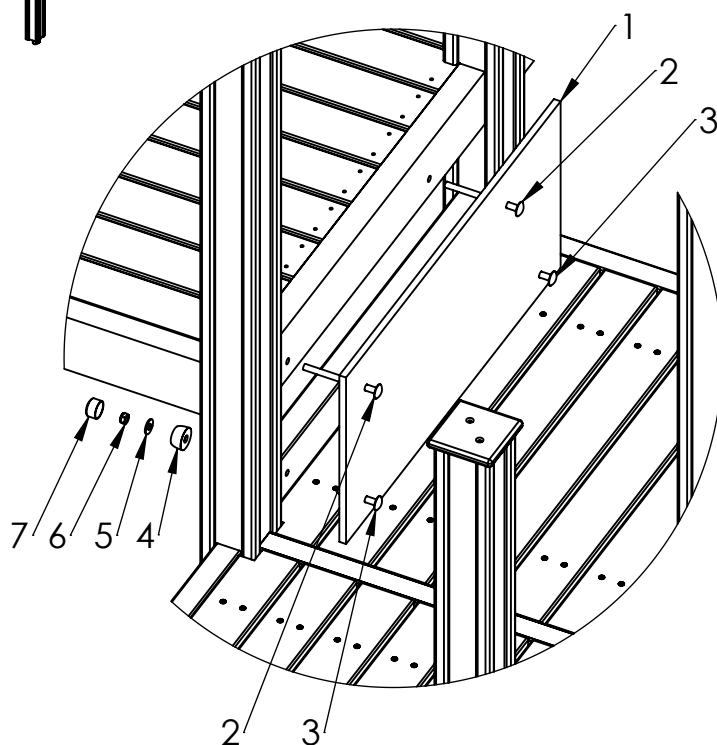
D

E

F



DETAIL C
SCALE 1 : 12



ITEM NO.	PART NUMBER
1	panel 750x350
2	bolt M10x130 DIN603
3	bolt M10x70 DIN603
4	nut cover M12
5	washer M10 DIN7349
6	nut M10 DIN985
7	nut cover cap M12

UNLESS OTHERWISE SPECIFIED:
DIMENSIONS ARE IN MILLIMETERS
WEIGHT ARE IN KILOGRAMM

	NAME	SIGNATURE	DATE	REVISION
DRAWN	M.Rebase		05.05.2017	
APPV'D				

PART NUMBER / DWG NO.:

MM119

DESCRIPTION:

Playship FRAM

MATERIAL:

wood, metal, plastic

A4

WEIGHT:

SCALE: 1:50

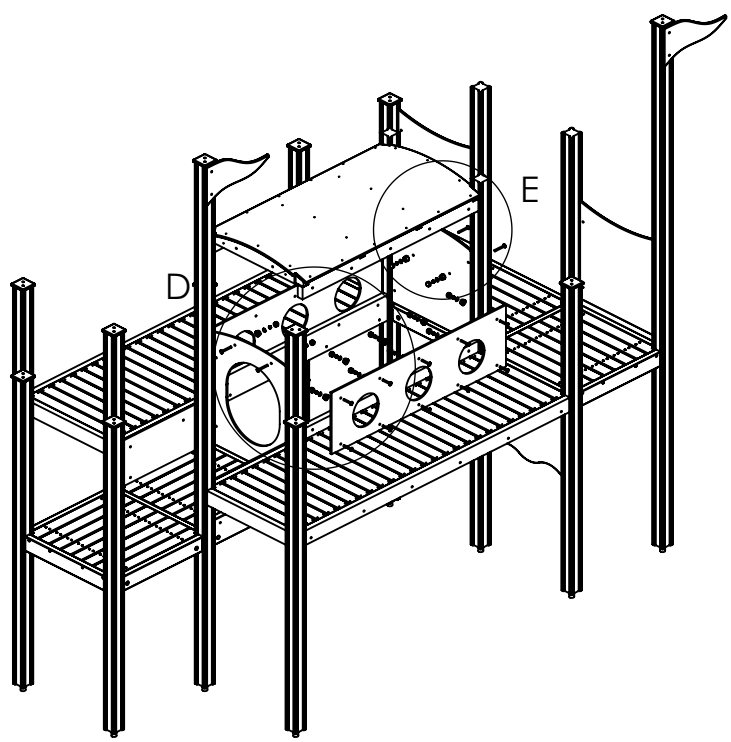
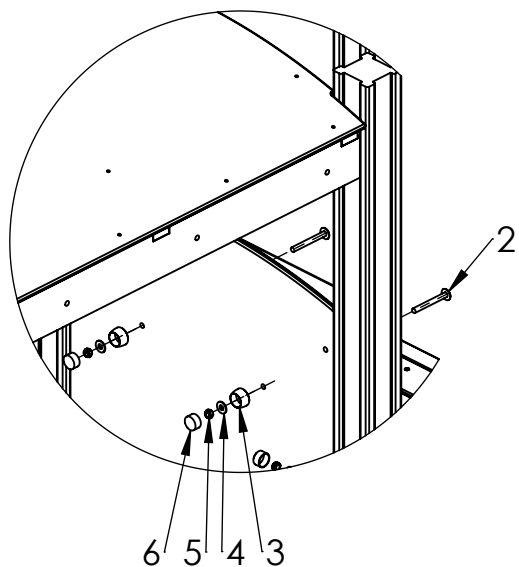
SHEET 20 OF 25



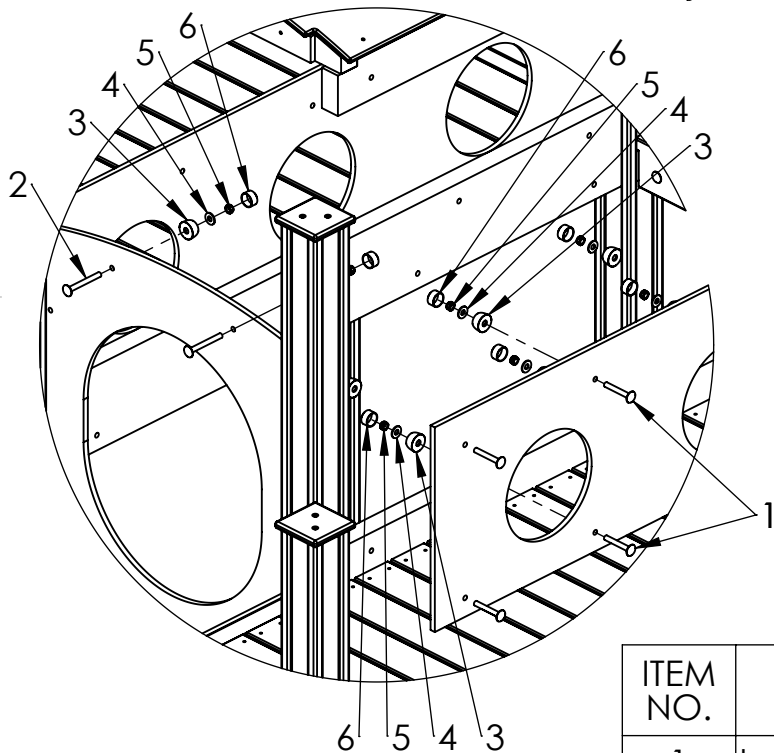
Tiptap OÜ

Tiptap OÜ
Veetorni 9,
Jüri alevik, Rae vald,
75301 Harjumaa

DETAIL E
SCALE 1 : 15



DETAIL D
SCALE 1 : 15



ITEM NO.	PART NUMBER
1	bolt M10x70 DIN603
2	bolt M10x90 DIN603
3	nut cover M12
4	washer M10 DIN7349
5	nut M10 DIN985
6	nut cover cap M12

UNLESS OTHERWISE SPECIFIED:
DIMENSIONS ARE IN MILLIMETERS
WEIGHT ARE IN KILOGRAMM

PART NUMBER / DWG NO.:

MM119

	NAME	SIGNATURE	DATE	REVISION
DRAWN	M.Rebase		05.05.2017	
APPV'D				

DESCRIPTION:

Playship FRAM

MATERIAL:

wood, metal, plastic

A4

WEIGHT:

SCALE: 1:50

SHEET 21 OF 25



Tiptap OÜ

Tiptap OÜ
Veetorni 9,
Jüri alevik, Rae vald,
75301 Harjumaa

A

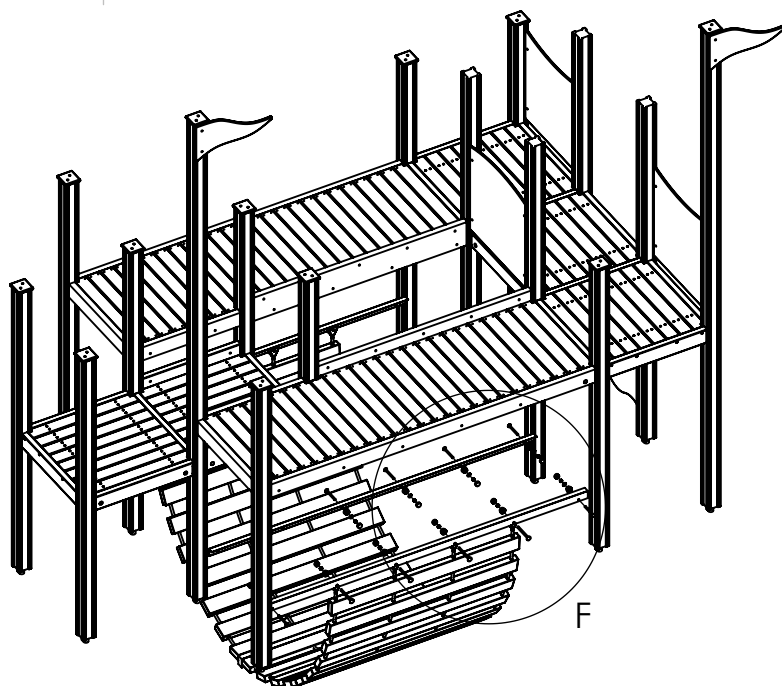
B

C

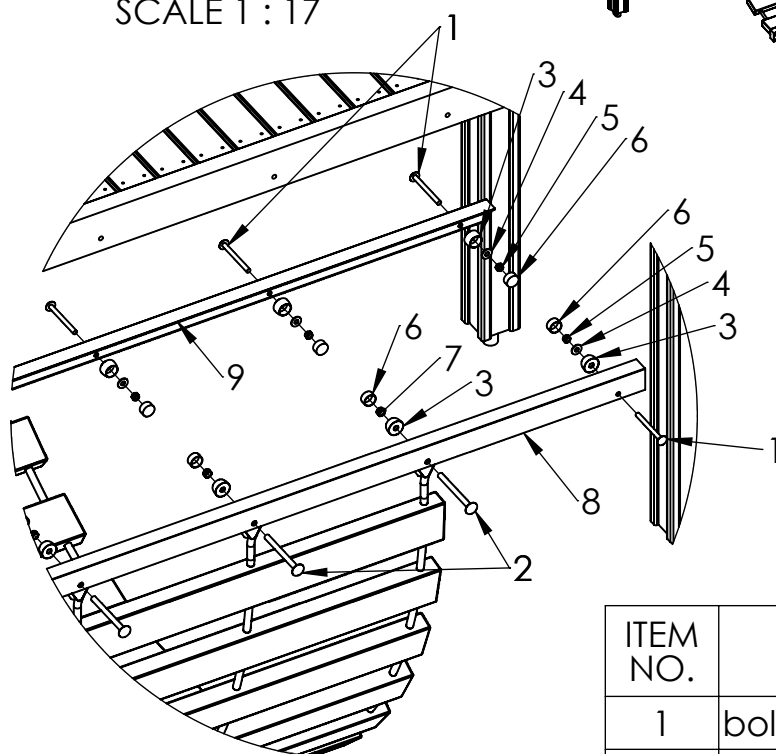
D

E

F



DETAIL F
SCALE 1 : 17



ITEM NO.	PART NUMBER
1	bolt M10x110 DIN603
2	bolt M12x140 DIN603
3	nut cover M12
4	washer M10 DIN7349
5	nut M10 DIN985
6	nut cover cap M12
7	nut M12 DIN985
8	metal beam 40x60x2480, 2x Ø10,5+ 4x Ø12,5
9	metal beam 40x60x2480, 6x Ø10,5

UNLESS OTHERWISE SPECIFIED:
DIMENSIONS ARE IN MILLIMETERS
WEIGHT ARE IN KILOGRAMM

	NAME	SIGNATURE	DATE	REVISION
DRAWN	M.Rebase		05.05.2017	
APPV'D				

PART NUMBER / DWG NO.:

MM119

DESCRIPTION:

Playship FRAM

MATERIAL:

wood, metal, plastic

A4

WEIGHT:

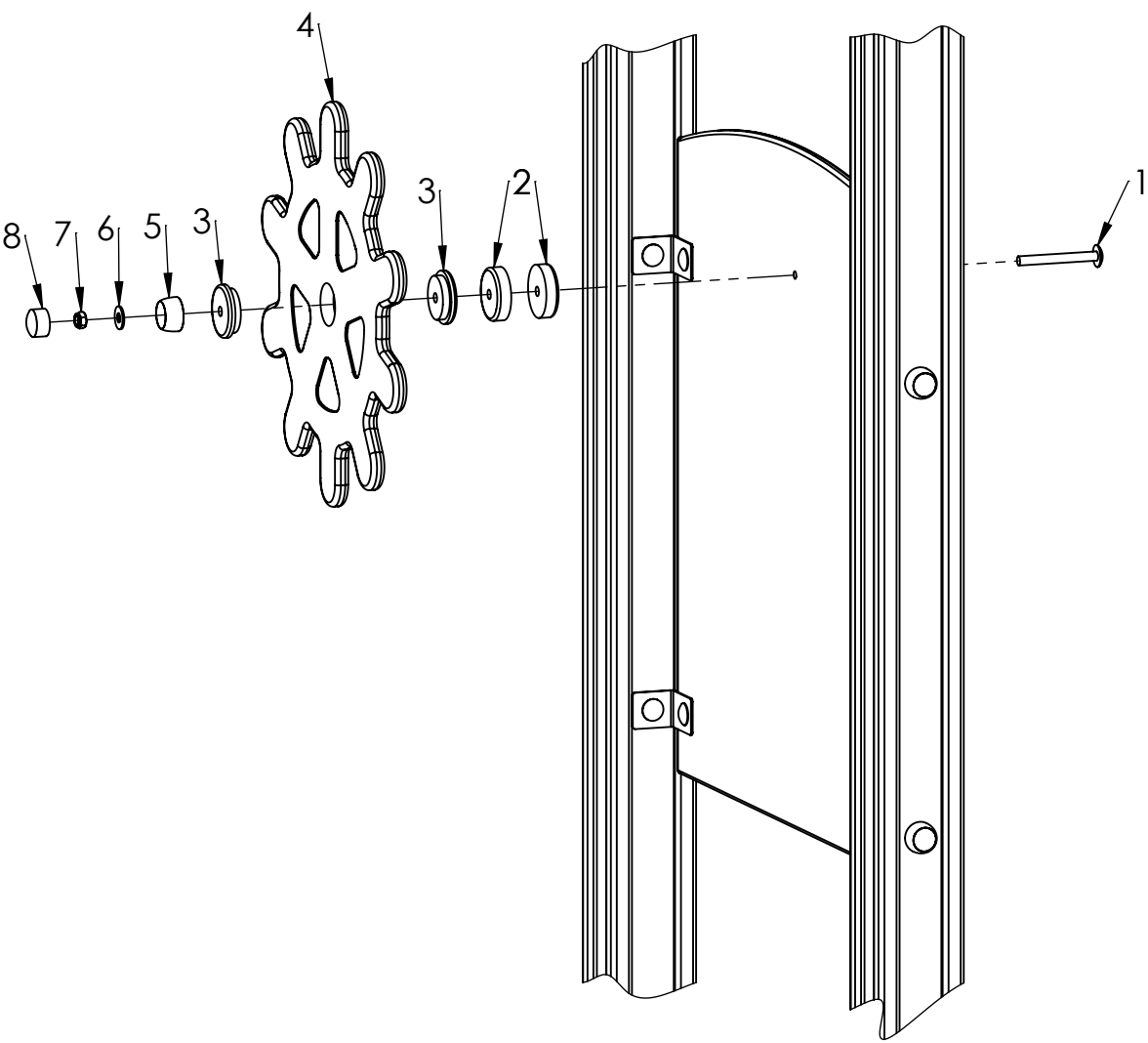
SCALE: 1:50

SHEET 22 OF 25



Tiptaptap OÜ

Tiptaptap OÜ
Veetorni 9,
Jüri alevik, Rae vald,
75301 Harjumaa



ITEM NO.	PART NUMBER
1	bolt M10x90 DIN603
2	disk Ø58
3	disk Ø58 with flange
4	captain wheel
5	nut cover M12
6	washer M10 DIN7349
7	nut M10 DIN985
8	nut cover cap M12

UNLESS OTHERWISE SPECIFIED: DIMENSIONS ARE IN MILLIMETERS WEIGHT ARE IN KILOGRAMM				
	NAME	SIGNATURE	DATE	REVISION
DRAWN	M.Rebase		05.05.2017	
APPV'D				

PART NUMBER / DWG NO.:		MM119	
DESCRIPTION:			
Playship FRAM connecting captain wheel to panel			
MATERIAL:		wood, metal, plastic	A4
WEIGHT:		SCALE: 1:8	SHEET 23 OF 25


Tiptaptap OÜ
 Veetorni 9,
 Jüri alevik, Rae vald,
 75301 Harjumaa

A

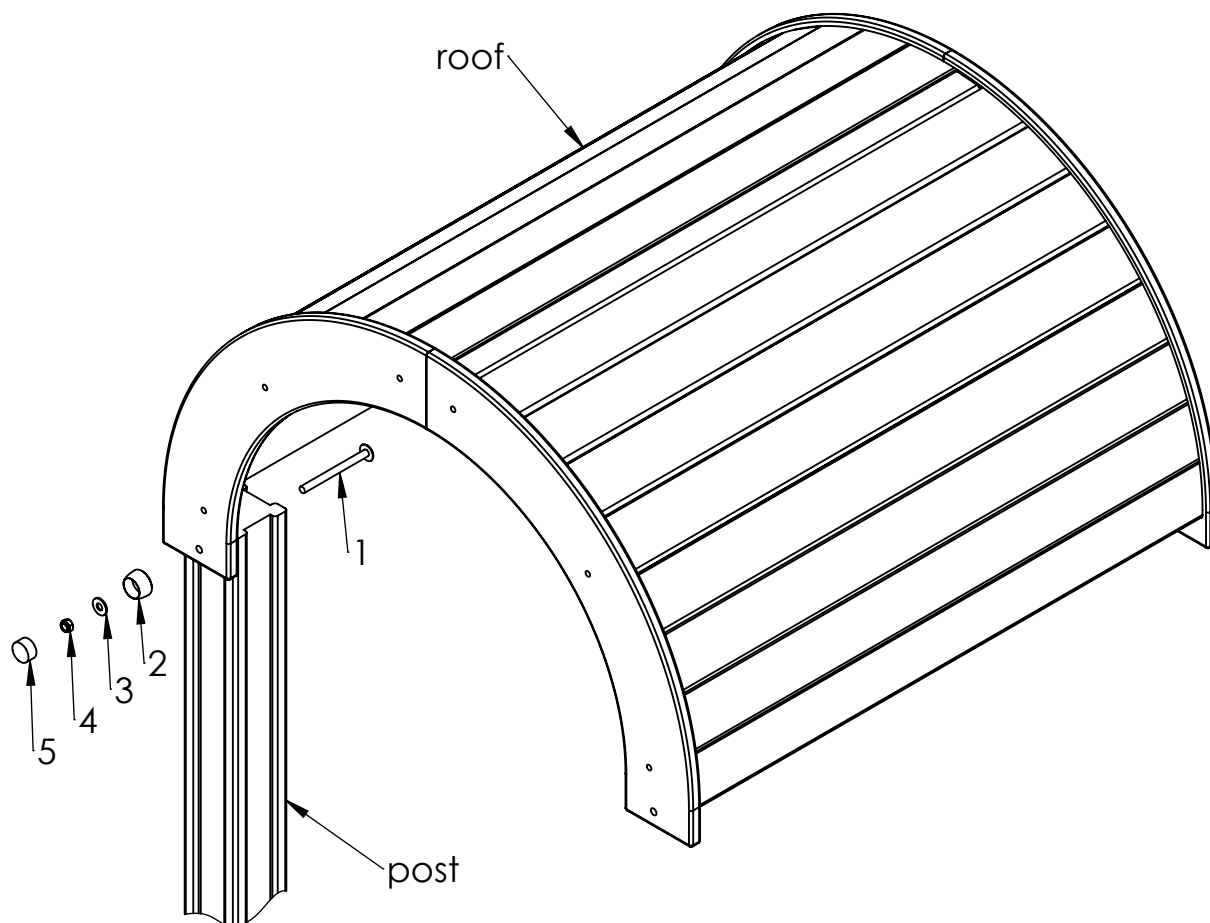
B

C

D

E

F



ITEM NO.	PART NUMBER
1	bolt M10x120 DIN603
2	nut cover M12
3	washer M10 DIN7349
4	nut M10 DIN985
5	nut cover cap M12

UNLESS OTHERWISE SPECIFIED:
DIMENSIONS ARE IN MILLIMETERS
WEIGHT ARE IN KILOGRAMM

PART NUMBER / DWG NO.:

MM119

	NAME	SIGNATURE	DATE	REVISION
DRAWN	M.Rebase		05.05.2017	
APPV'D				

DESCRIPTION:

Playship FRAM
connecting roof to post

MATERIAL:

wood, metal, plastic

A4

WEIGHT:

SCALE: 1:10

SHEET 24 OF 25



Tiptaptap OÜ

Tiptaptap OÜ
Veetorni 9,
Jüri alevik, Rae vald,
75301 Harjumaa

A

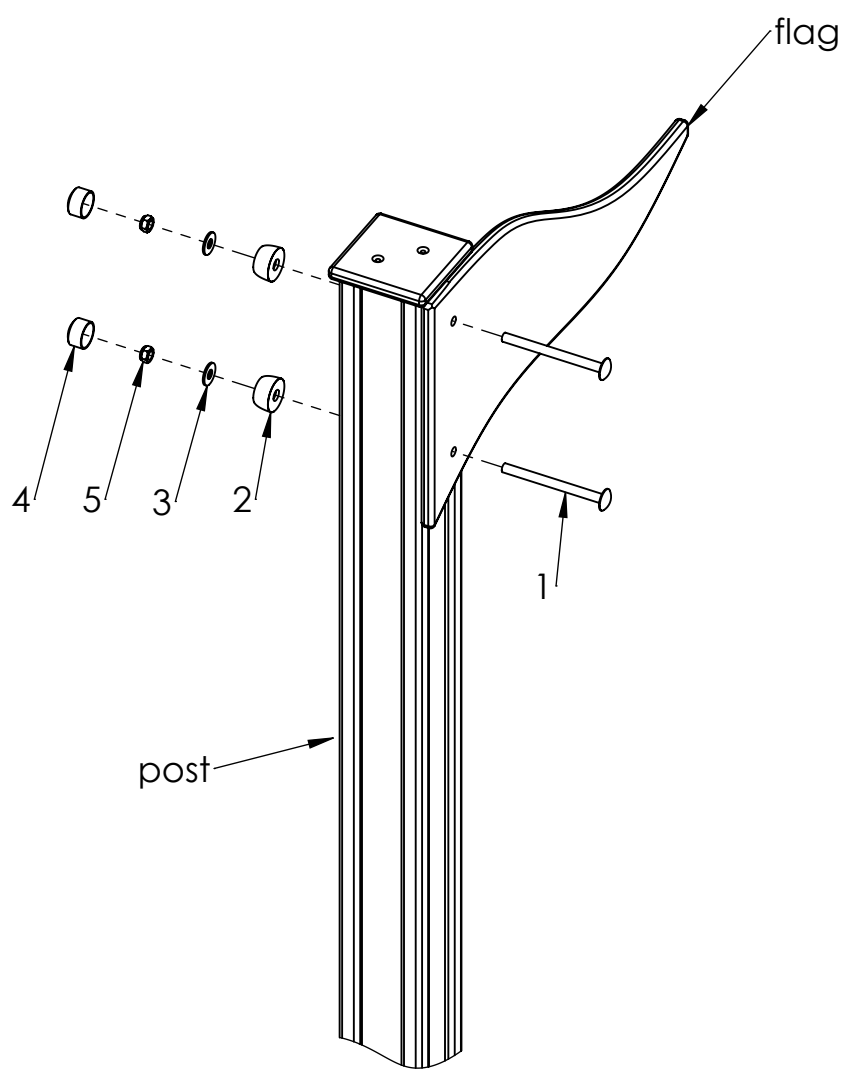
B

C

D

E

F



ITEM NO.	PART NUMBER
1	bolt M10x120 DIN603
2	nut cover M12
3	washer M10 DIN7349
4	nut cover cap M12
5	nut M10 DIN985

UNLESS OTHERWISE SPECIFIED:
 DIMENSIONS ARE IN MILLIMETERS
 WEIGHT ARE IN KILOGRAMM

	NAME	SIGNATURE	DATE	REVISION
DRAWN	M.Rebase		05.05.2017	
APPV'D				

PART NUMBER / DWG NO.:
MM119

DESCRIPTION:
**Playship FRAM
 connecting flag to post**



Tiptaptap OÜ

Tiptaptap OÜ
 Veetorni 9,
 Jüri alevik, Rae vald,
 75301 Harjumaa

MATERIAL: wood, metal, plastic

A4

WEIGHT: SCALE: 1:8 SHEET 25 OF 25