

A

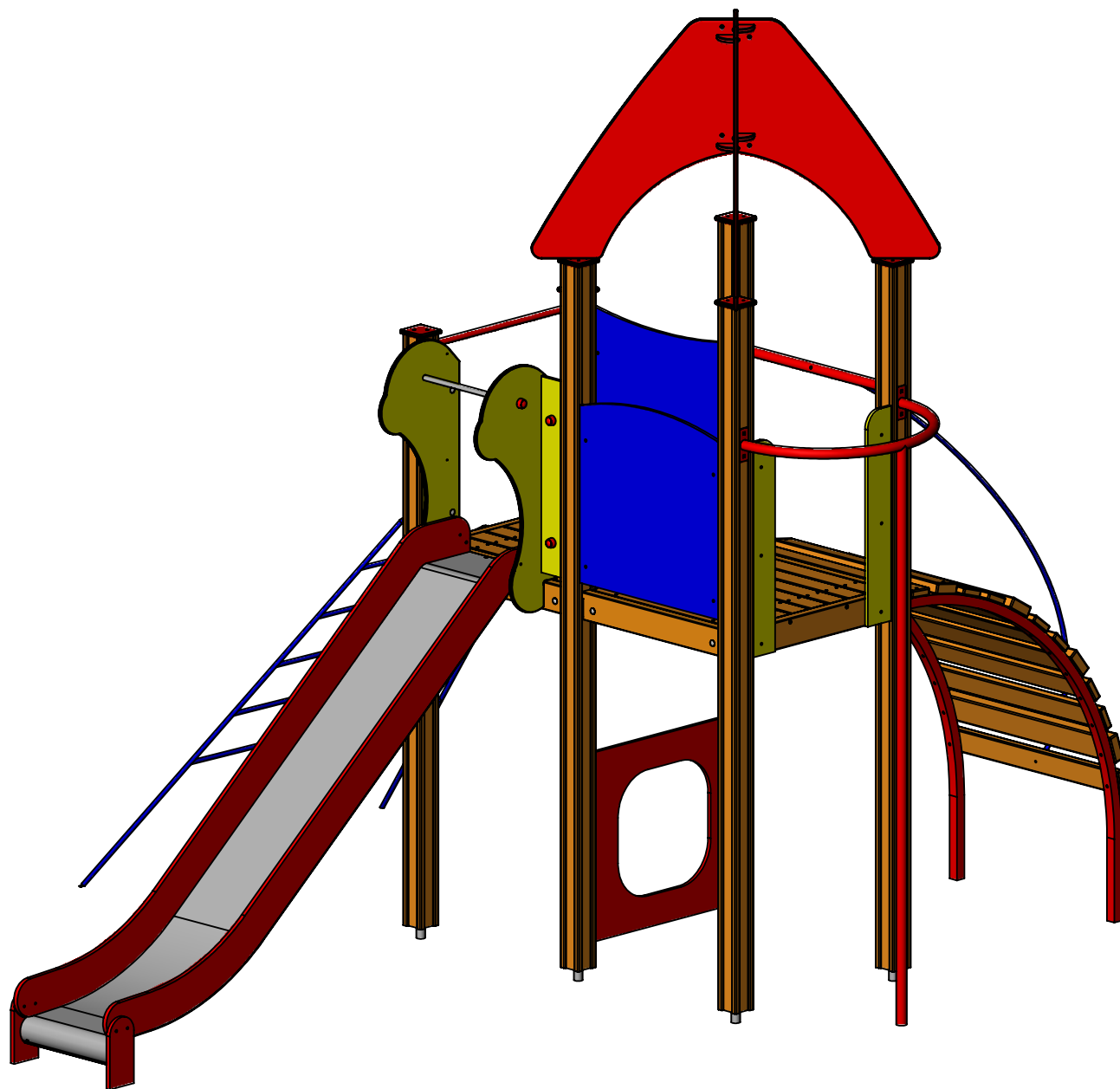
B

C

D

E

F



UNLESS OTHERWISE SPECIFIED:
DIMENSIONS ARE IN MILLIMETERS
WEIGHT ARE IN KILOGRAMM

PART NUMBER / DWG NO.:

LM219

	NAME	SIGNATURE	DATE	REVISION
DRAWN	I.Agar		31.03.2021	
APPV'D				

DESCRIPTION:

Play centre Conrad



Tiptiptap OÜ

Tiptiptap OÜ
Veetorni 9,
Jüri alevik, Rae vald,
75301 Harjumaa

MATERIAL:

wood, metal, plastic

A4

WEIGHT:

SCALE: 1:25

SHEET 1 OF 25

Safety area

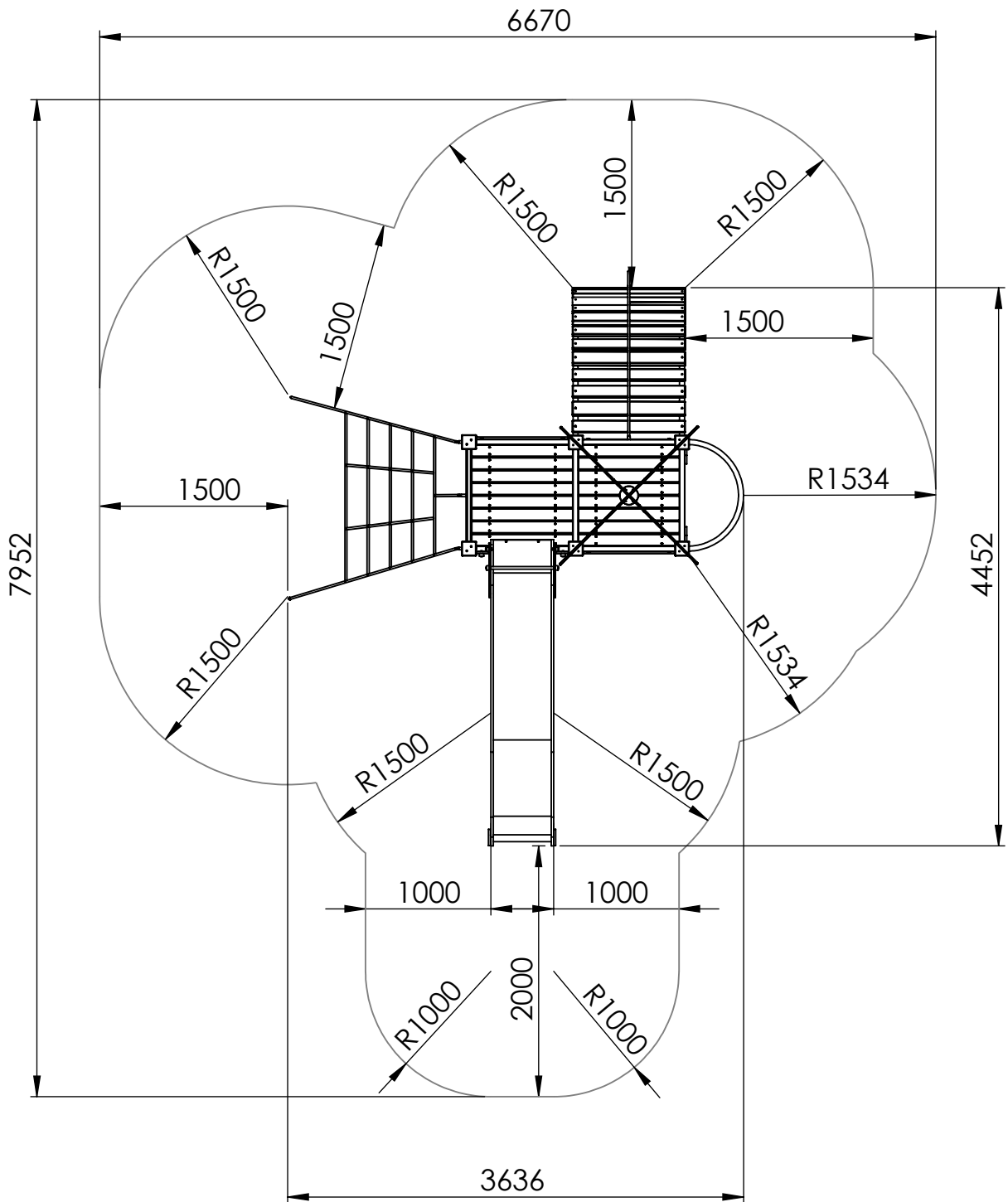
A

B

C

D

E



UNLESS OTHERWISE SPECIFIED:
DIMENSIONS ARE IN MILLIMETERS
WEIGHT ARE IN KILOGRAMM

PART NUMBER / DWG NO.:

LM219

	NAME	SIGNATURE	DATE	REVISION
DRAWN	I.Agar		31.03.2021	
APPV'D				

DESCRIPTION:

Play centre Conrad



Tiptiptap OÜ

Tiptiptap OÜ
Veetorni 9,
Jüri alevik, Rae vald,
75301 Harjumaa

MATERIAL:

wood, metal, plastic

A4

WEIGHT:

SCALE: 1:50

SHEET 2 OF 25

Safety area

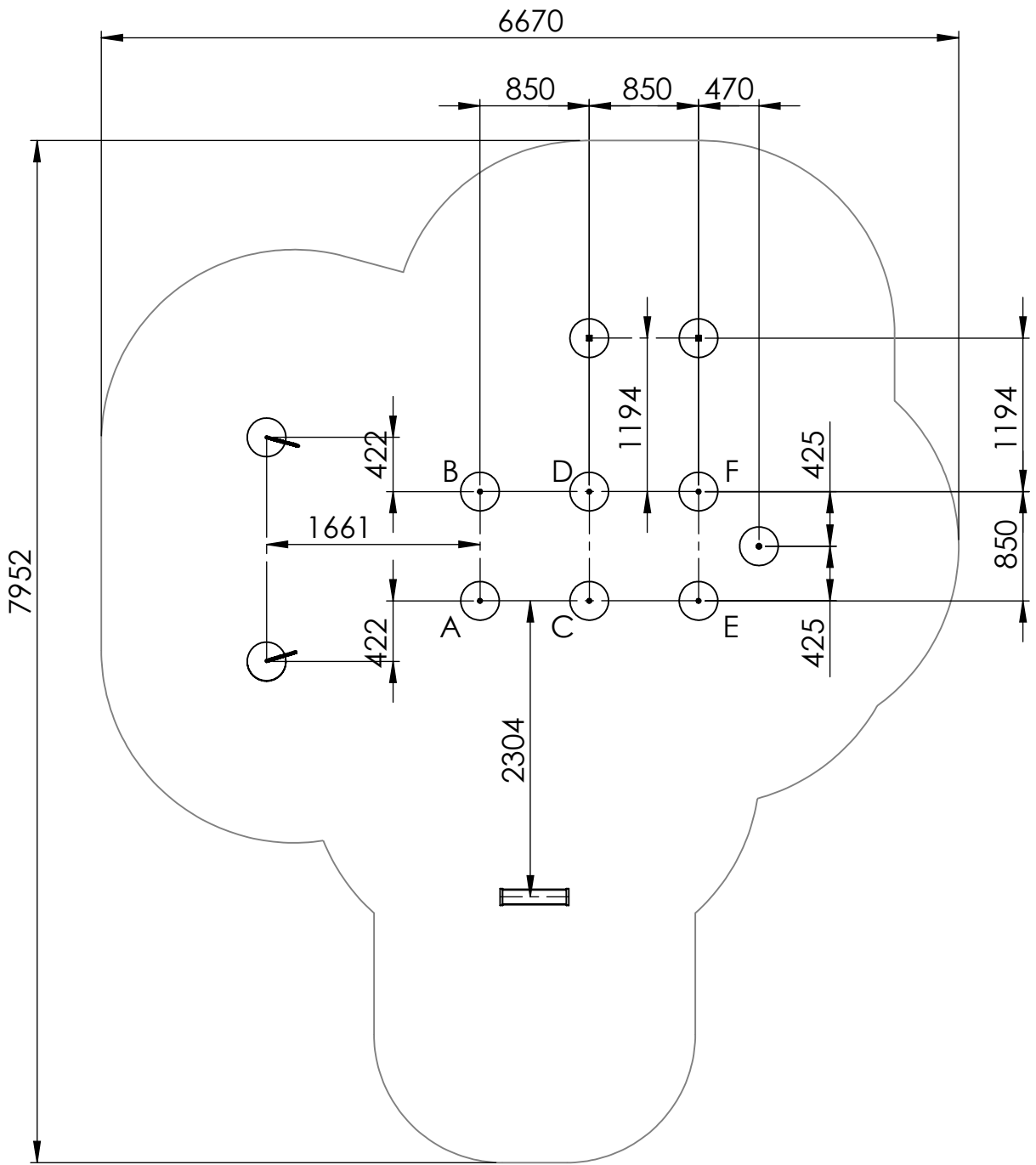
A

B

C

D

E



Depth of foundatin: 600mm

UNLESS OTHERWISE SPECIFIED:
DIMENSIONS ARE IN MILLIMETERS
WEIGHT ARE IN KILOGRAMM

PART NUMBER / DWG NO.:

LM219

	NAME	SIGNATURE	DATE	REVISION
DRAWN	I.Agar		31.03.2021	
APPV'D				

DESCRIPTION:

Play centre Conrad

F



Tiptaptap OÜ

Tiptaptap OÜ
Veetorni 9,
Jüri alevik, Rae vald,
75301 Harjumaa

MATERIAL:

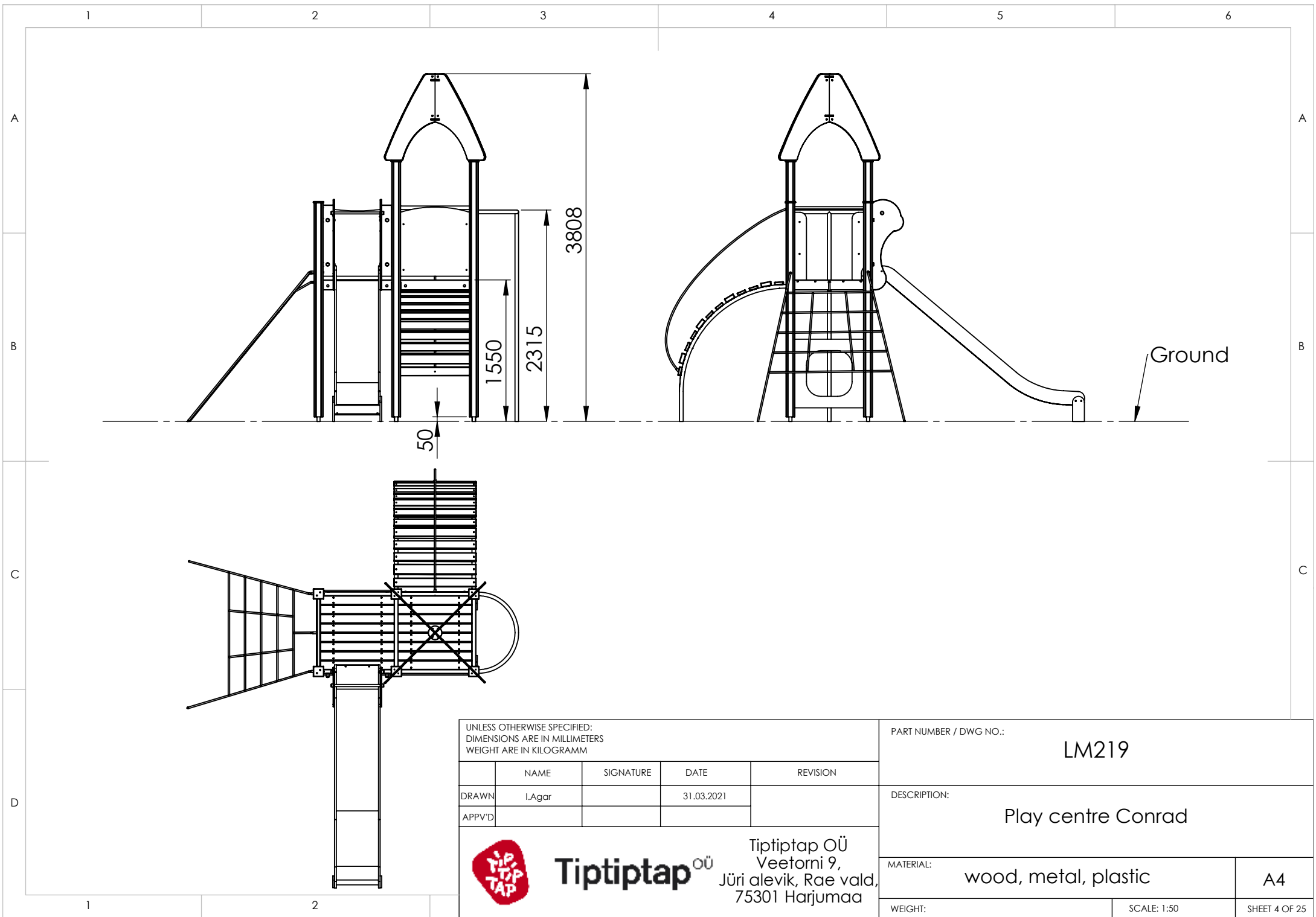
wood, metal, plastic

A4

WEIGHT:

SCALE: 1:50

SHEET 3 OF 25



UNLESS OTHERWISE SPECIFIED:
 DIMENSIONS ARE IN MILLIMETERS
 WEIGHT ARE IN KILOGRAMM

PART NUMBER / DWG NO.:
LM219

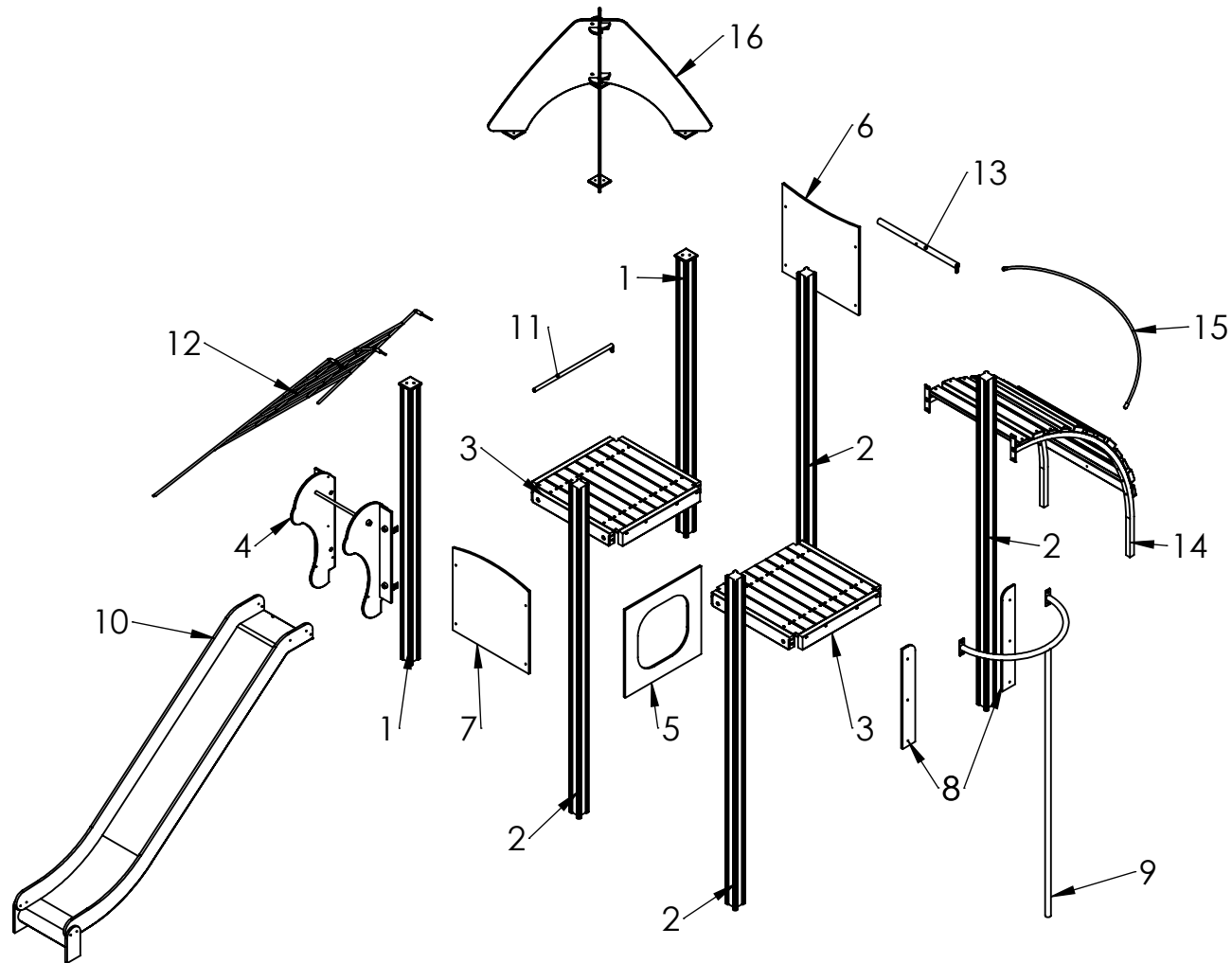
	NAME	SIGNATURE	DATE	REVISION
DRAWN	I.Agar		31.03.2021	
APPV'D				

DESCRIPTION:
Play centre Conrad



Tiptaptap OÜ
 Veetorni 9,
 Jüri alevik, Rae vald,
 75301 Harjumaa

MATERIAL:	wood, metal, plastic	A4
WEIGHT:		SCALE: 1:50
		SHEET 4 OF 25



UNLESS OTHERWISE SPECIFIED:
 DIMENSIONS ARE IN MILLIMETERS
 WEIGHT ARE IN KILOGRAMM

PART NUMBER / DWG NO.:
LM219

	NAME	SIGNATURE	DATE	REVISION
DRAWN	I.Agar		31.03.2021	
APPV'D				

DESCRIPTION:
Play centre Conrad



Tiptap OÜ
 Veetorni 9,
 Jüri alevik, Rae vald,
 75301 Harjumaa

MATERIAL:	wood, metal, plastic	A4
WEIGHT:		SCALE: 1:50
		SHEET 5 OF 25

	1	2	3	4
	ITEM NO.	PART NUMBER	DESCRIPTION	QTY.
A	1	post 98x98x2350	laminated wood	2
	2	post 98x98x2800	laminated wood	4
	3	platform	laminated wood, metal	2
B	4	slide guard block	HDPE plastic	1
	5	LM219 panel with hole	HDPE plastic	1
	6	downward curved panel, lower hole 70mm	HDPE plastic	1
C	7	Upward curved panel, lower hole 70mm	HDPE plastic	1
	8	LM219 climbing pole side panel	HDPE plastic	2
	9	Climbing pole for 1550 platform	Painted steel	1
D	10	slide h_1550	stainless steel, HDPE plastic	1
	11	Tube D25x770	Painted steel	1
	12	LM219 rope ladder	PP covered steel wire	1
E	13	LM219 guardrail d.40x770	painted steel	1
	14	curved ramp	wood, metal	1
	15	LM310 rope for climbing ramp with beams	PP covered steel wire	1
	16	Roof	HDPE plastic	1
F	UNLESS OTHERWISE SPECIFIED: DIMENSIONS ARE IN MILLIMETERS WEIGHT ARE IN KILOGRAMM		PART NUMBER / DWG NO.: LM219	
		NAME	SIGNATURE	DATE
	DRAWN	I.Agar		31.03.2021
	APPV'D			
				REVISION
			DESCRIPTION: Play centre Conrad	
			MATERIAL: wood, metal, plastic	A4
			WEIGHT:	SCALE: 1:50
				SHEET 6 OF 25



Tiptiptap OÜ

Tiptiptap OÜ
Veetorni 9,
Jüri alevik, Rae vald,
75301 Harjumaa

A

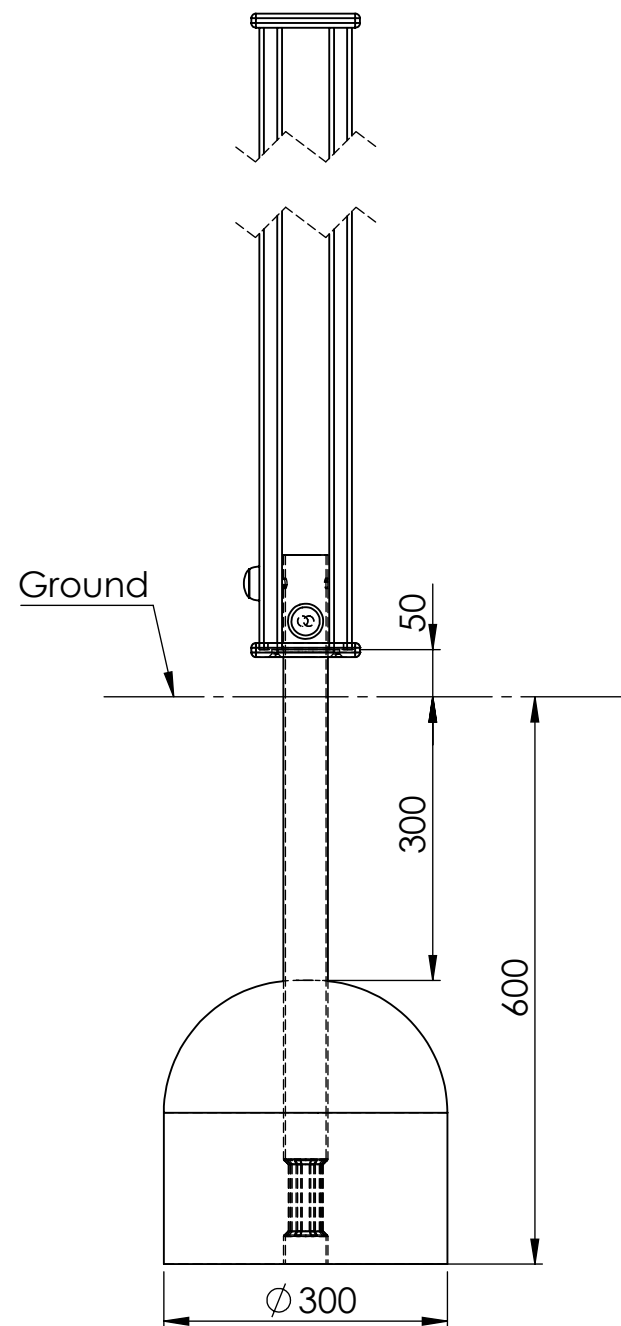
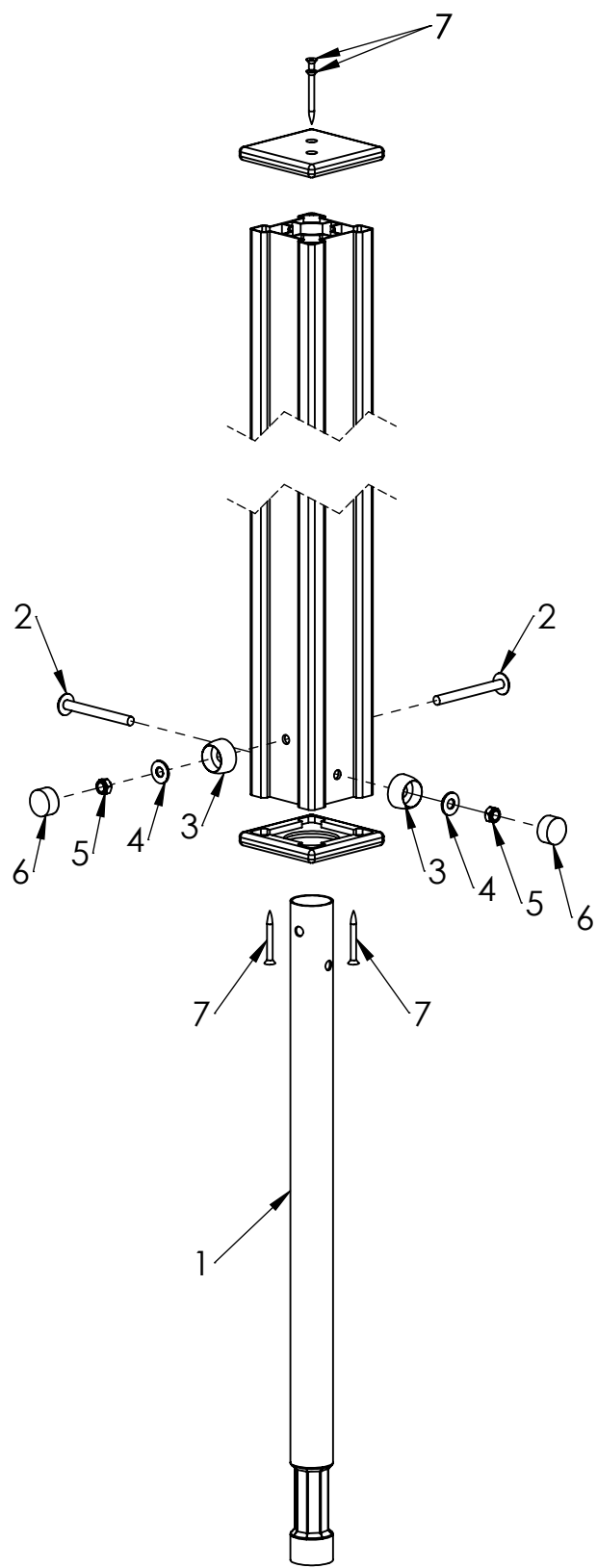
B

C

D

E

F



ITEM NO.	PART NUMBER
1	metal ground fixing L_750
2	bolt DIN603 M10x100
3	nut cover M12
4	Washer M10 DIN9054
5	nut DIN985 M10
6	nut cover cap M12
7	woodscrew 6x60

UNLESS OTHERWISE SPECIFIED:
 DIMENSIONS ARE IN MILLIMETERS
 WEIGHT ARE IN KILOGRAMM

	NAME	SIGNATURE	DATE	REVISION
DRAWN	I.Agar		31.03.2021	
APPV'D				

PART NUMBER / DWG NO.:
LM219

DESCRIPTION:
**Play centre Conrad
 connecting metal ground fixing to aluminium post**



Tiptiptap OÜ
 Veetorni 9,
 Jüri alevik, Rae vald,
 75301 Harjumaa

MATERIAL:	wood, metal, plastic	A4
WEIGHT:		SCALE: 1:8
		SHEET 7 OF 25

A

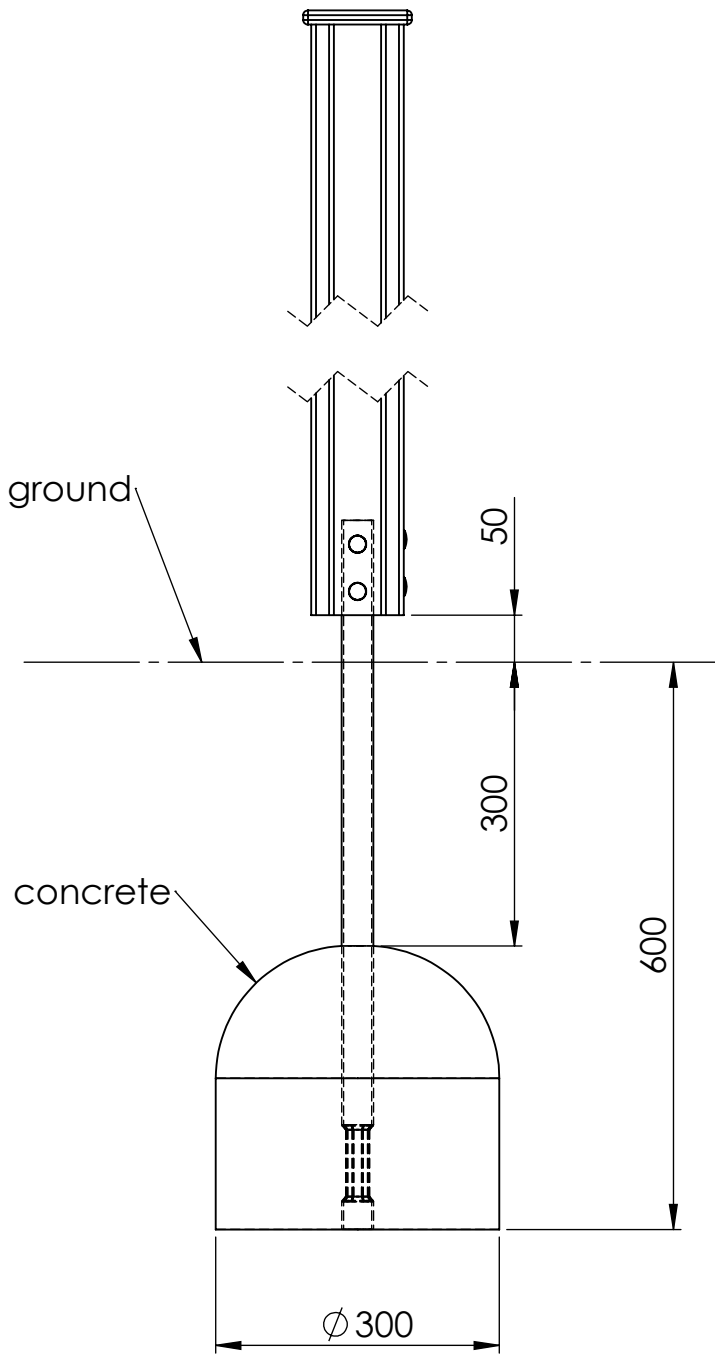
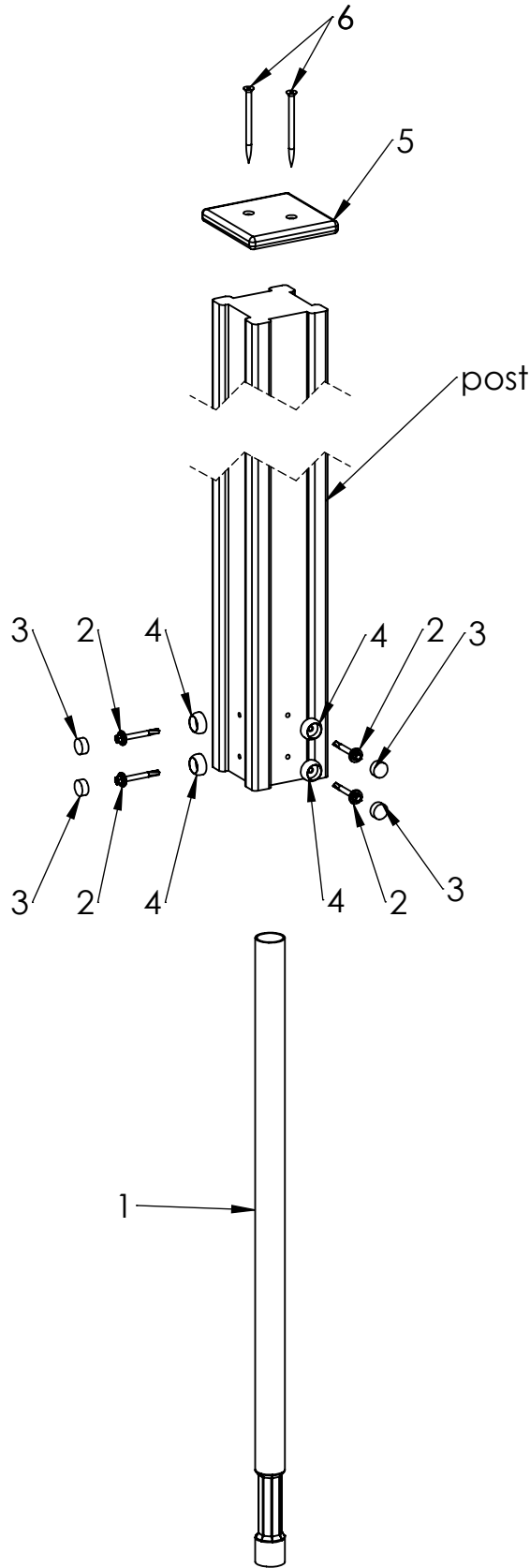
B

C

D

E

F



ITEM NO.	PART NUMBER
1	metal ground fixing L_750
2	screw DIN7504K 5,5x50
3	nut cover cap M6
4	nut cover M6
5	plastic cap 115x115
6	woodscrew 6 x 90

UNLESS OTHERWISE SPECIFIED:
 DIMENSIONS ARE IN MILLIMETERS
 WEIGHT ARE IN KILOGRAMM

	NAME	SIGNATURE	DATE	REVISION
DRAWN	I.Agar		31.03.2021	
APPV'D				

PART NUMBER / DWG NO.:
LM219

DESCRIPTION:
**Play centre Conrad
 connecting metal ground fixing to post**



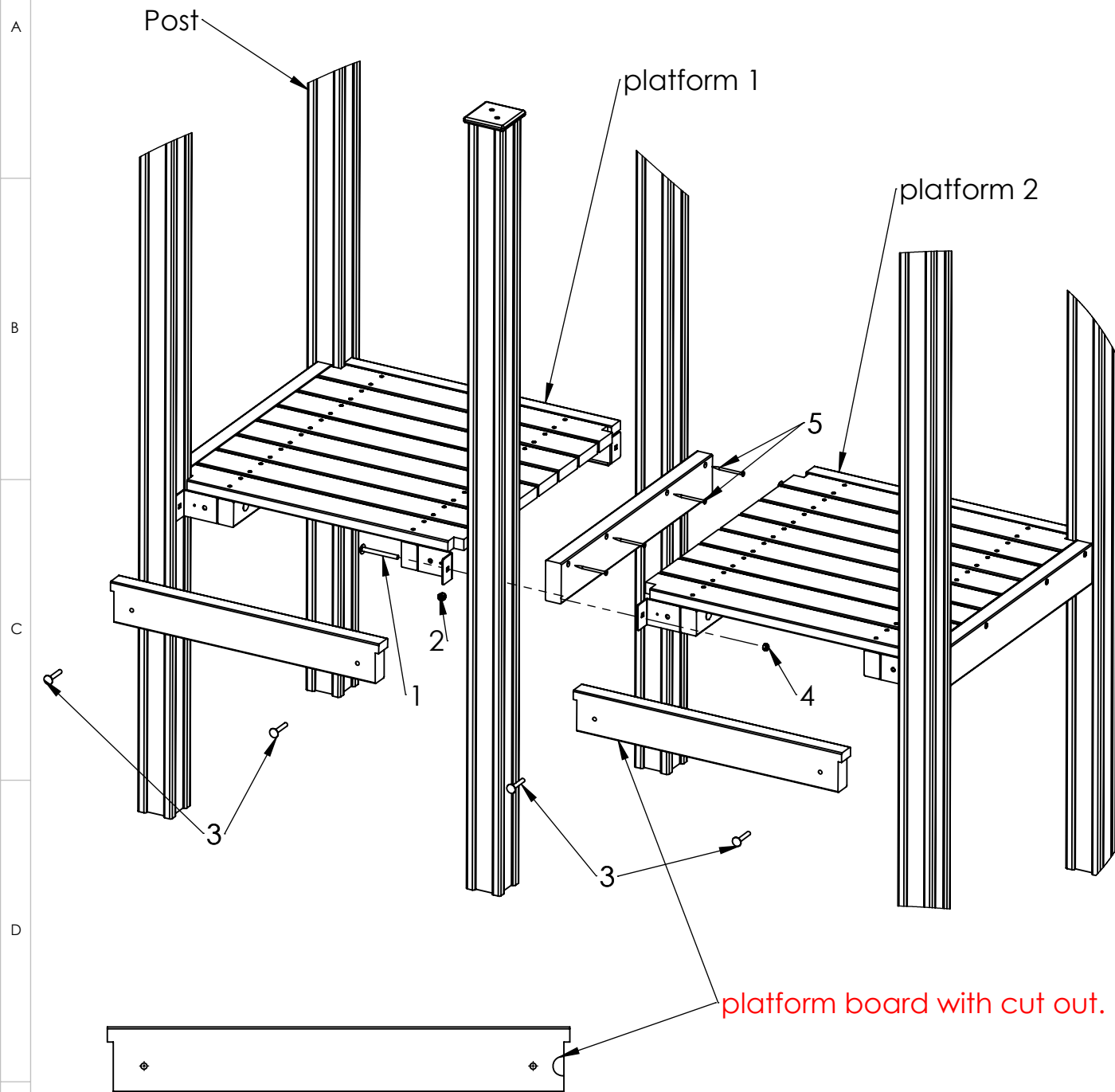
Tiptiptap OÜ

Tiptiptap OÜ
 Veetorni 9,
 Jüri alevik, Rae vald,
 75301 Harjumaa

MATERIAL: wood, metal, plastic

A4

WEIGHT: SCALE: 1:8 SHEET 8 OF 25



ITEM NO.	PART NUMBER
1	bolt DIN603 M10x100
2	domed cap nut DIN986 M10
3	bolt DIN603 M10x60
4	nut DIN985 M10
5	Woodscrew 6 x 90

UNLESS OTHERWISE SPECIFIED:
DIMENSIONS ARE IN MILLIMETERS
WEIGHT ARE IN KILOGRAMM

PART NUMBER / DWG NO.:

LM219

	NAME	SIGNATURE	DATE	REVISION
DRAWN	I.Agar		31.03.2021	
APPV'D				

DESCRIPTION:

Play centre Conrad
connecting two platforms

MATERIAL:

wood, metal, plastic

A4

WEIGHT:

SCALE: 1:15

SHEET 9 OF 25



Tiptiptap OÜ

Tiptiptap OÜ
Veetorni 9,
Jüri alevik, Rae vald,
75301 Harjumaa

A

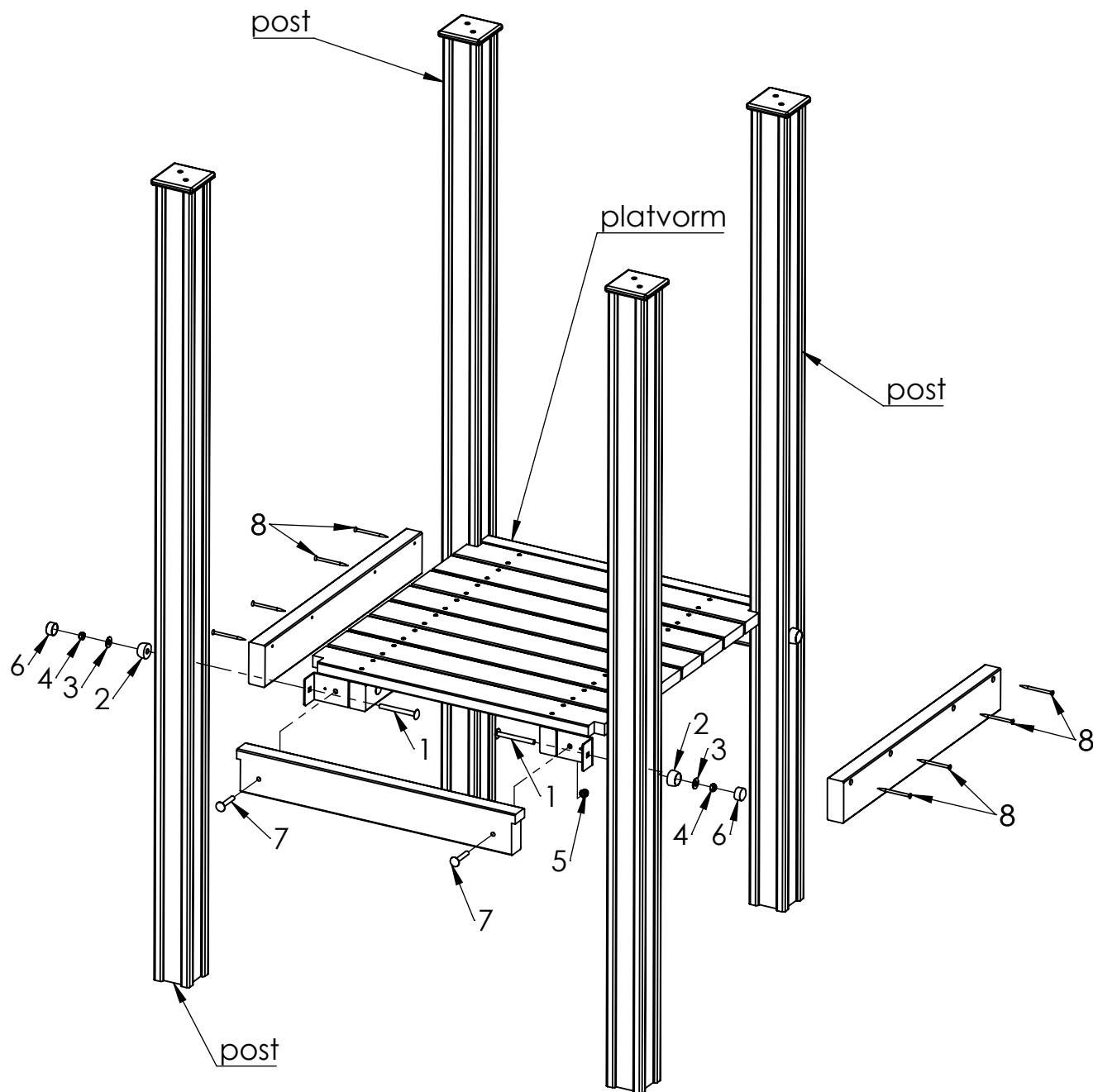
B

C

D

E

F



ITEM NO.	PART NUMBER
1	bolt DIN603 M10x100
2	nut cover M12
3	Washer M10 DIN9054
4	nut DIN985 M10
5	domed cap nut DIN986 M10
6	nut cover cap M12
7	bolt DIN603 M10x60
8	Woodscrew 6 x 90

UNLESS OTHERWISE SPECIFIED:
DIMENSIONS ARE IN MILLIMETERS
WEIGHT ARE IN KILOGRAMM

PART NUMBER / DWG NO.:

LM219

	NAME	SIGNATURE	DATE	REVISION
DRAWN	I.Agar		31.03.2021	
APPV'D				

DESCRIPTION:

Play centre Conrad
connecting platform to post

MATERIAL:

wood, metal, plastic

A4

WEIGHT:

SCALE: 1:15

SHEET 10 OF 25



Tiptiptap OÜ

Tiptiptap OÜ
Veetorni 9,
Jüri alevik, Rae vald,
75301 Harjumaa

A

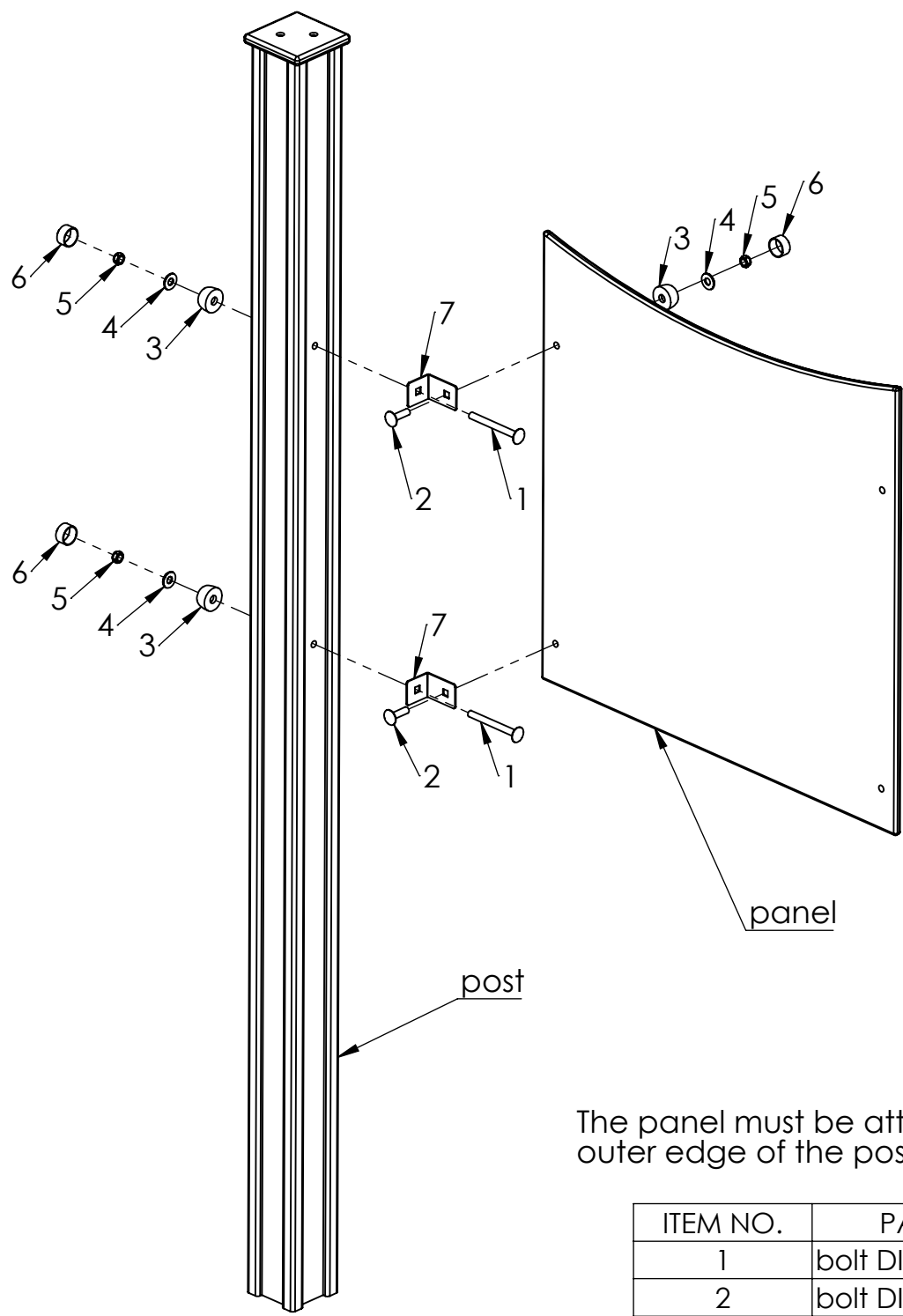
B

C

D

E

F



The panel must be attached to the outer edge of the post !!!

ITEM NO.	PART NUMBER
1	bolt DIN603 M10x100
2	bolt DIN603 M10x35
3	nut cover M12
4	Washer M10 DIN9054
5	nut DIN985 M10
6	nut cover cap M12
7	Corner 90° (45x60)

UNLESS OTHERWISE SPECIFIED:
DIMENSIONS ARE IN MILLIMETERS
WEIGHT ARE IN KILOGRAMM

PART NUMBER / DWG NO.:
LM219

	NAME	SIGNATURE	DATE	REVISION
DRAWN	I.Agar		31.03.2021	
APPV'D				

DESCRIPTION:
**Play centre Conrad
connecting panel to post**



Tiptaptap OÜ

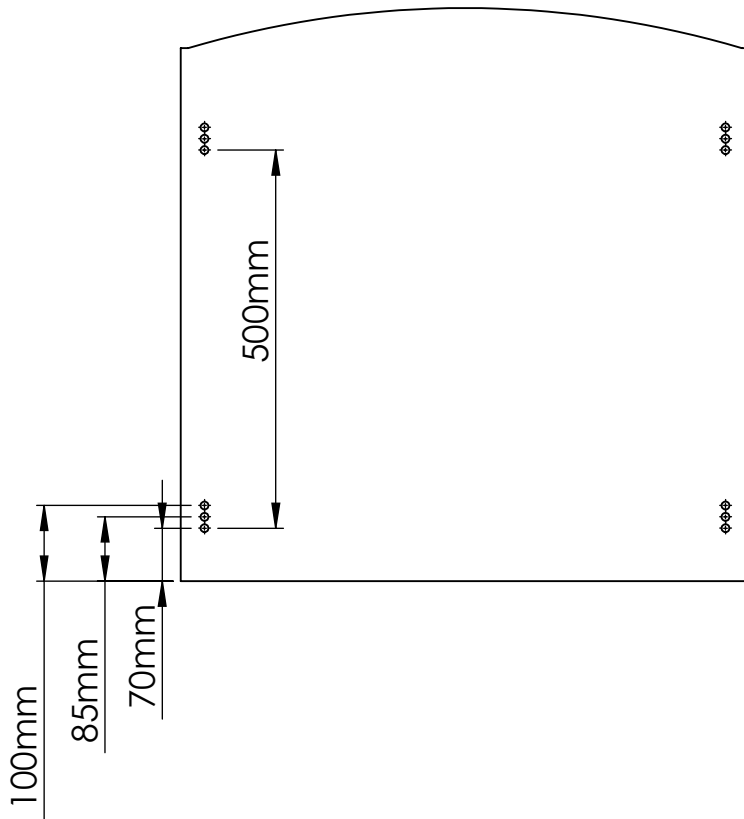
Tiptaptap OÜ
Veetorni 9,
Jüri alevik, Rae vald,
75301 Harjumaa

MATERIAL:
wood, metal, plastic

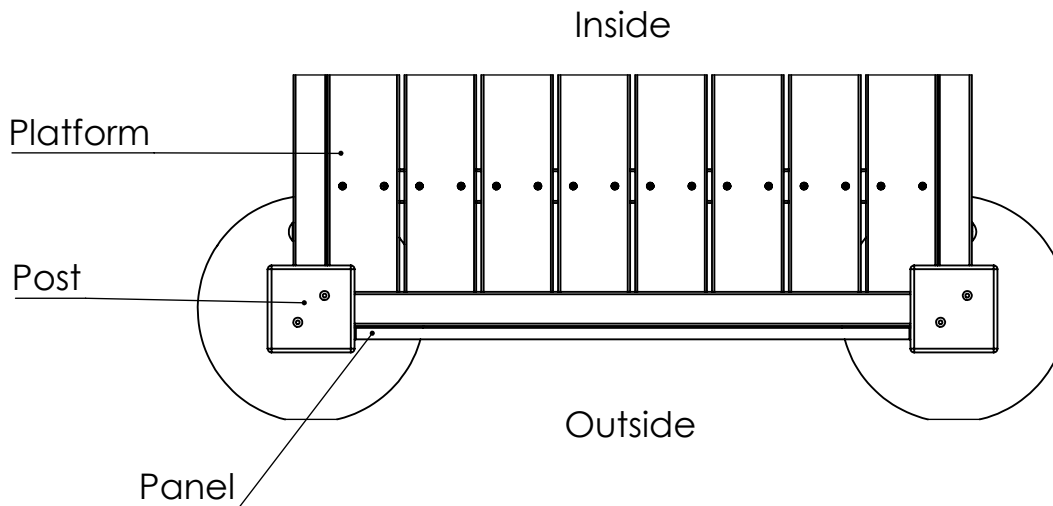
A4

WEIGHT: SCALE: 1:10 SHEET 11 OF 25

Explanation of the 'lower hole' behind the panel name:



The panel must be installed on the post as shown in the picture!



UNLESS OTHERWISE SPECIFIED:
DIMENSIONS ARE IN MILLIMETERS
WEIGHT ARE IN KILOGRAMM

PART NUMBER / DWG NO.:

LM219

	NAME	SIGNATURE	DATE	REVISION
DRAWN	I.Agar		31.03.2021	
APPV'D				

DESCRIPTION:

Play centre Conrad
connecting panel to post



Tiptiptap OÜ

Tiptiptap OÜ
Veetorni 9,
Jüri alevik, Rae vald,
75301 Harjumaa

MATERIAL:

wood, metal, plastic

A4

WEIGHT:

SCALE: 1:10

SHEET 12 OF 25

A

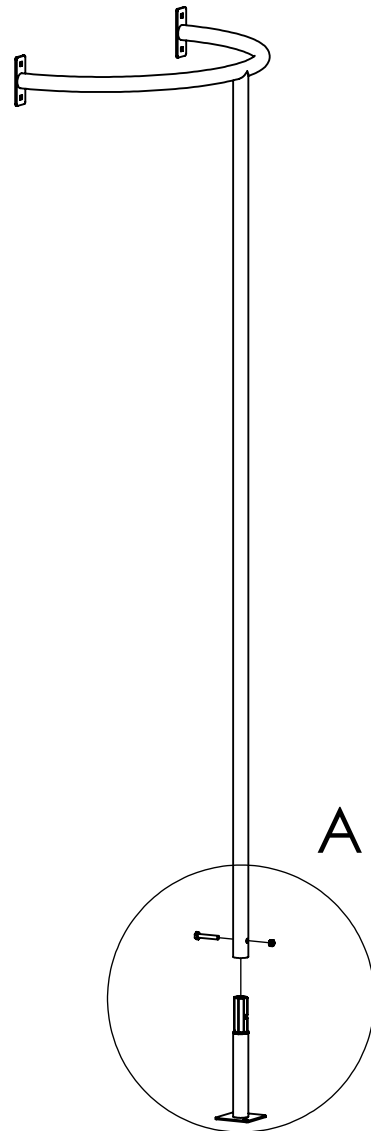
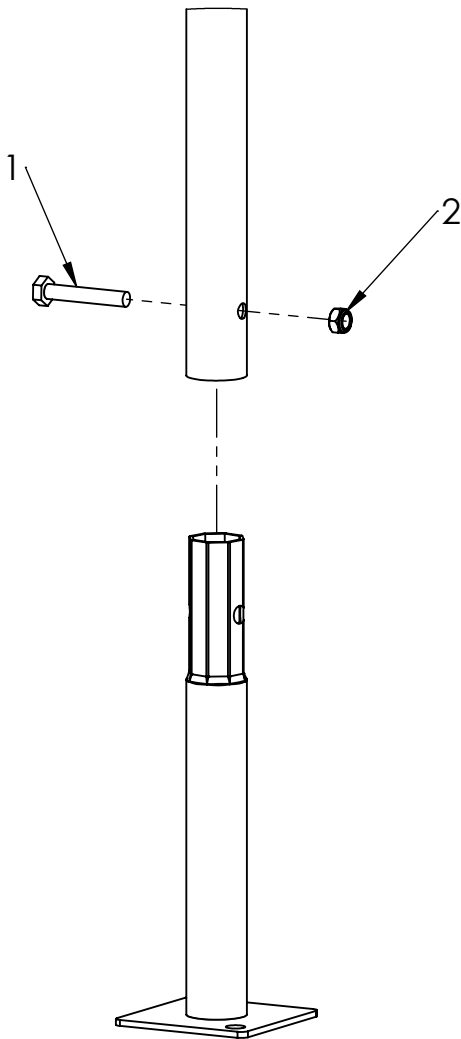
B

C

D

E

DETAIL A SCALE 1 : 5



ITEM NO.	PART NUMBER
1	bolt DIN931 M10x60
2	nut DIN985 M10

UNLESS OTHERWISE SPECIFIED:
DIMENSIONS ARE IN MILLIMETERS
WEIGHT ARE IN KILOGRAMM

PART NUMBER / DWG NO.:

LM219

	NAME	SIGNATURE	DATE	REVISION
DRAWN	I.Agar		31.03.2021	
APPV'D				

DESCRIPTION:

Play centre Conrad
Assembling climbing pole

MATERIAL:

wood, metal, plastic

A4

WEIGHT:

SCALE: 1:20

SHEET 13 OF 25



Tiptiptap OÜ

Tiptiptap OÜ
Veetorni 9,
Jüri alevik, Rae vald,
75301 Harjumaa

F

A

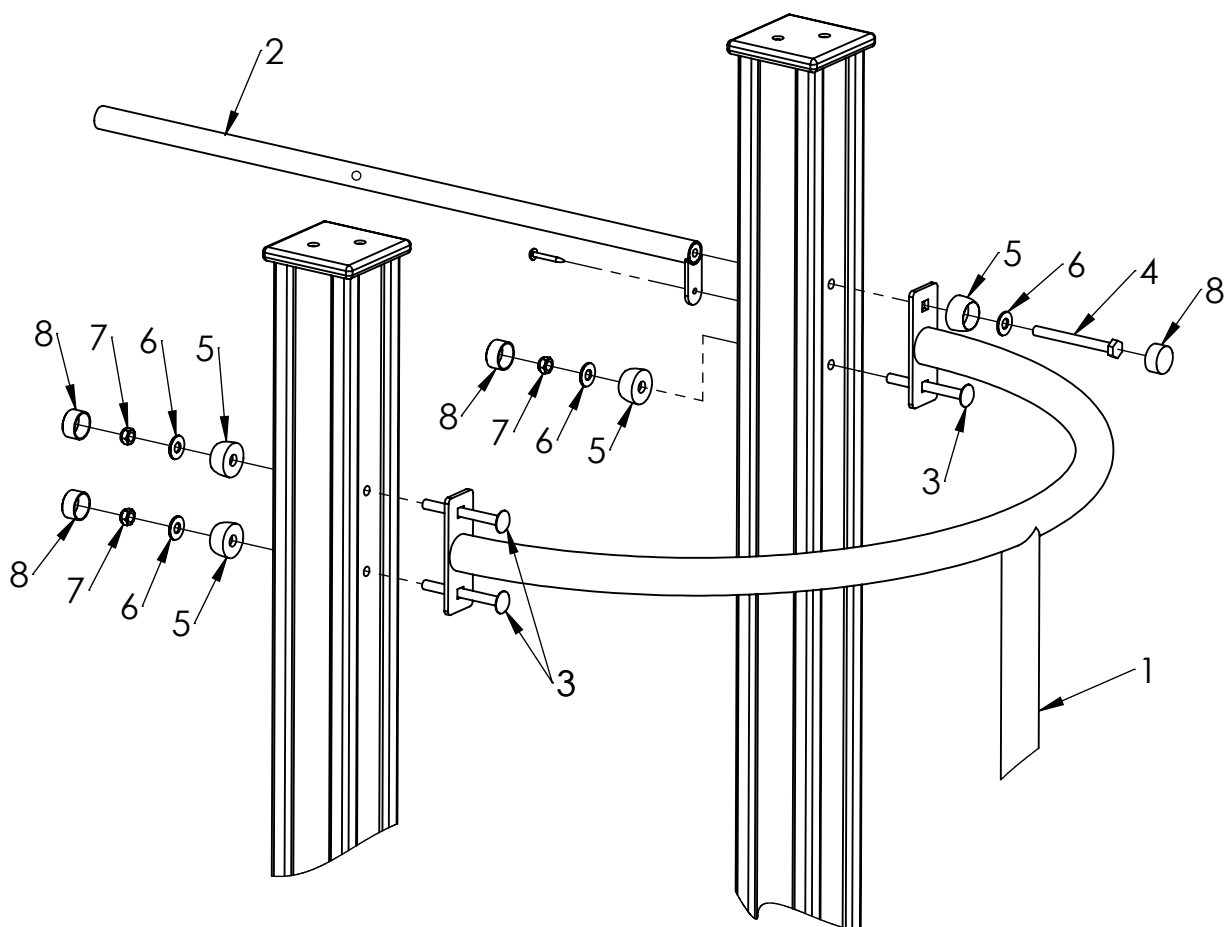
B

C

D

E

F



ITEM NO.	PART NUMBER
1	climbing pole
2	guardrail ϕ 40x770
3	bolt DIN603 M10x100
4	bolt DIN931 M10x100
5	nut cover M12
6	Washer M10 DIN9054
7	nut DIN985 M10
8	nut cover cap M12
9	screw 5x40

UNLESS OTHERWISE SPECIFIED:
DIMENSIONS ARE IN MILLIMETERS
WEIGHT ARE IN KILOGRAMM

PART NUMBER / DWG NO.:

LM219

	NAME	SIGNATURE	DATE	REVISION
DRAWN	I.Agar			
APPV'D				

DESCRIPTION:

Play centre Conrad

connecting climbing pole and guardrail to post

MATERIAL:

wood, metal, plastic

A4

WEIGHT:

SCALE: 1:8

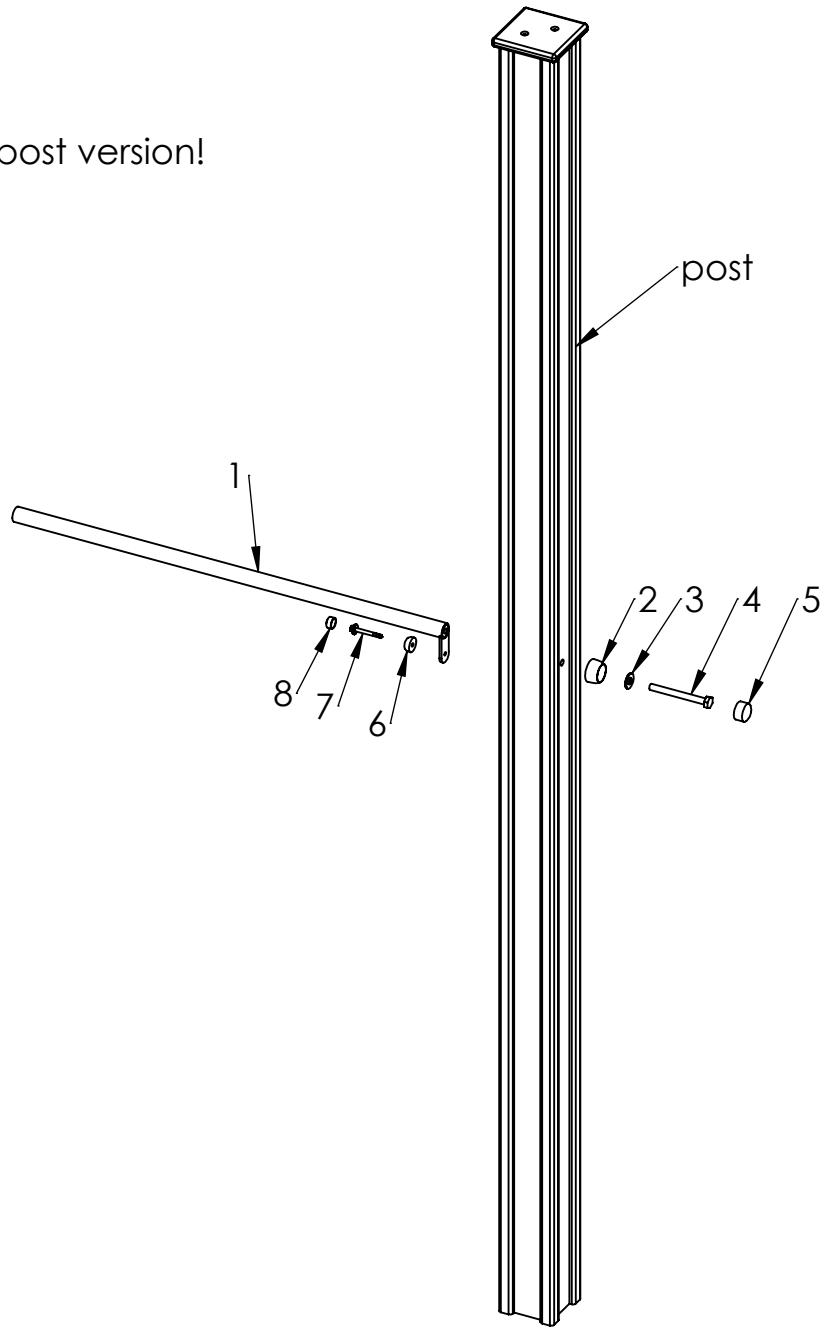
SHEET 14 OF 25



Tiptaptap OÜ

Tiptaptap OÜ
Veetorni 9,
Jüri alevik, Rae vald,
75301 Harjumaa

Aluminium post version!



ITEM NO.	PART NUMBER
1	guardrail ϕ 25x770
2	nut cover M12
3	Washer M10 DIN9054
4	bolt DIN931 M10x100
5	nut cover cap M12
6	nut cover M6
7	screw DIN7504K 5,5x50
8	nut cover cap M6

UNLESS OTHERWISE SPECIFIED:
DIMENSIONS ARE IN MILLIMETERS
WEIGHT ARE IN KILOGRAMM

PART NUMBER / DWG NO.:

LM219

	NAME	SIGNATURE	DATE	REVISION
DRAWN	I.Agar			
APPV'D				

DESCRIPTION:

Play centre Conrad
connecting guardrail to post

MATERIAL:

wood, metal, plastic

A4

WEIGHT:

SCALE: 1:12

SHEET 15 OF 25



Tiptiptap OÜ

Tiptiptap OÜ
Veetorni 9,
Jüri alevik, Rae vald,
75301 Harjumaa

A

Wood post version!

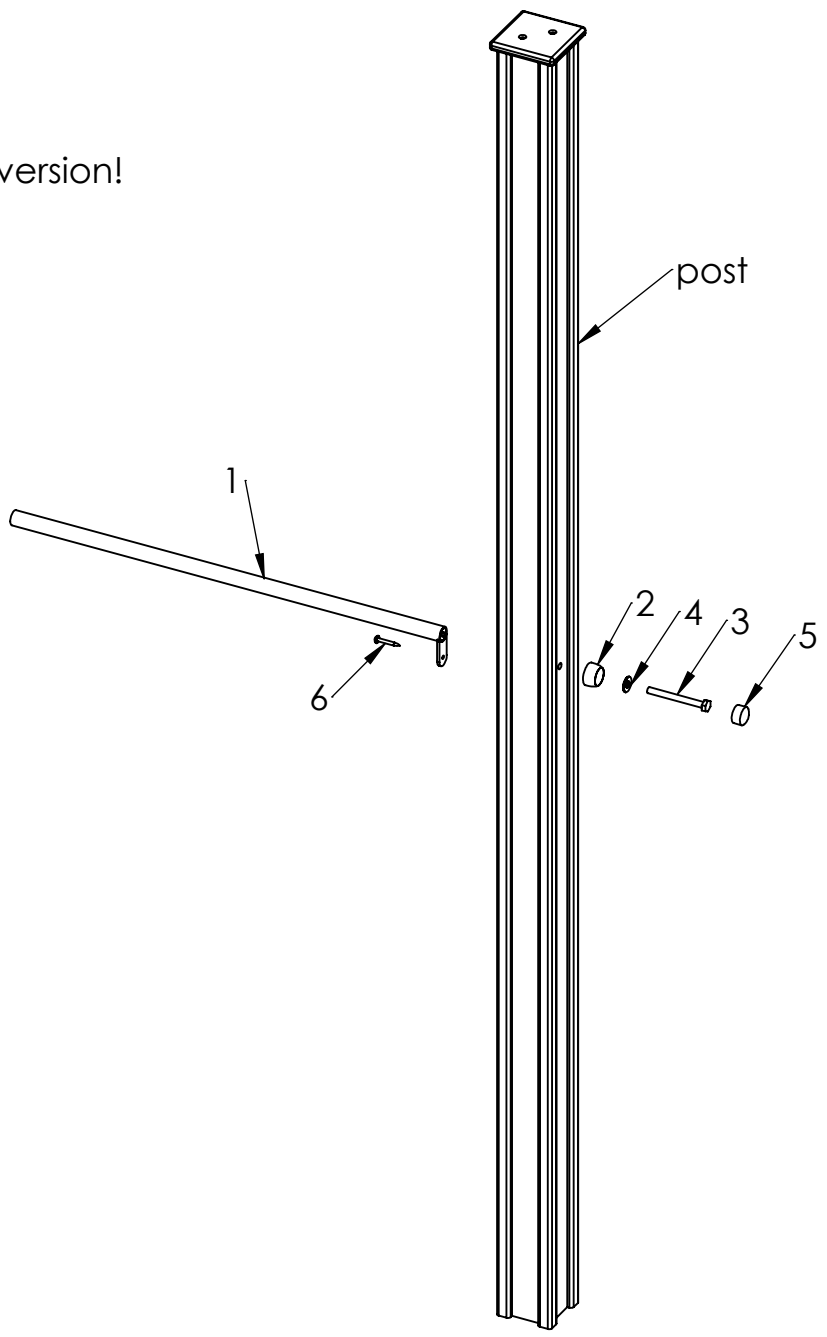
B

C

D

E

F



ITEM NO.	PART NUMBER
1	guardrail \varnothing 25x770
2	nut cover M12
3	bolt DIN931 M10x100
4	Washer M10 DIN9054
5	nut cover cap M12
6	screw 5x40

UNLESS OTHERWISE SPECIFIED:
 DIMENSIONS ARE IN MILLIMETERS
 WEIGHT ARE IN KILOGRAMM

	NAME	SIGNATURE	DATE	REVISION
DRAWN	I.Agar			
APPV'D				

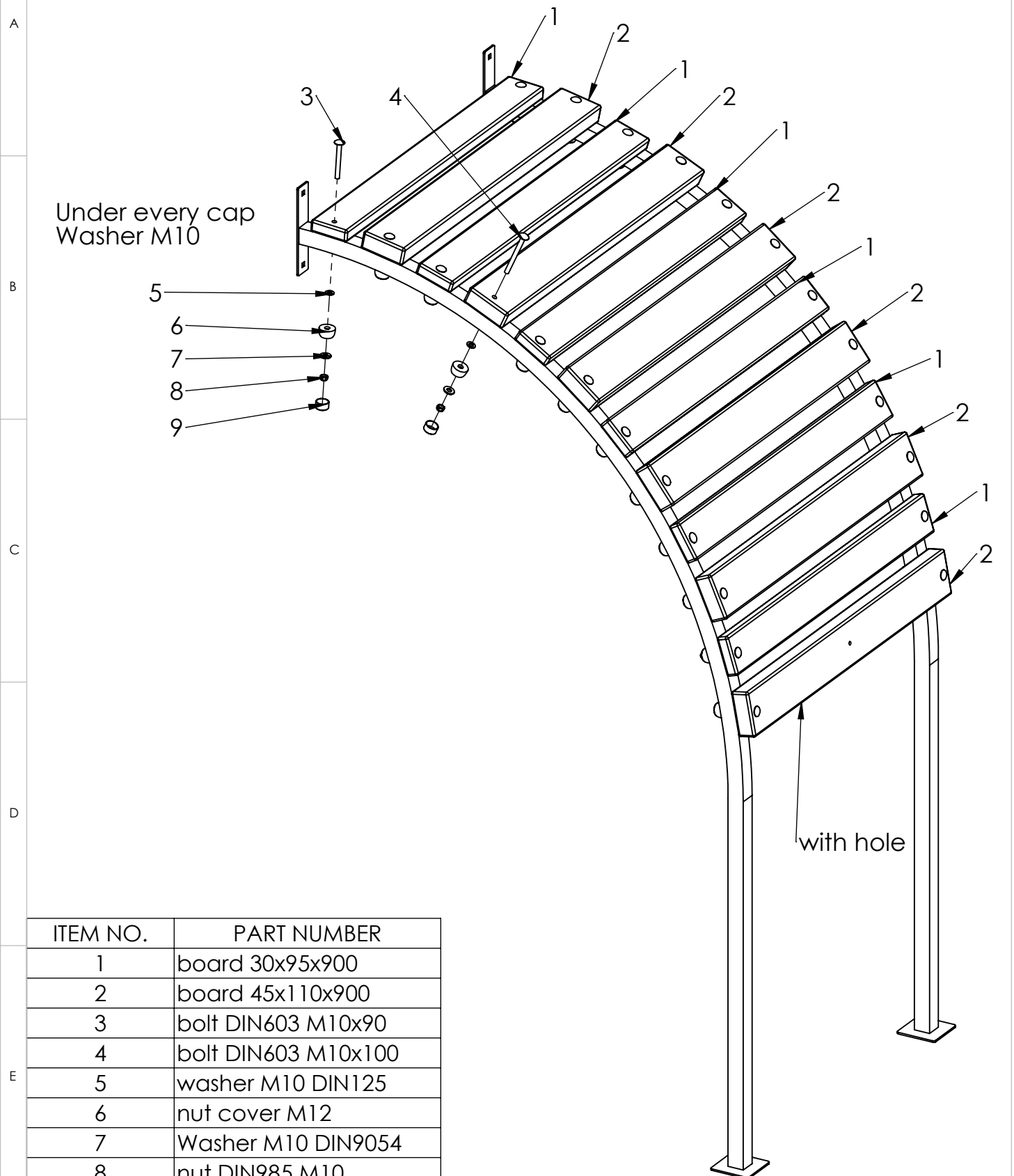
PART NUMBER / DWG NO.:
LM219

DESCRIPTION:
 Play centre Conrad
 connecting guardrail to post



Tiptiptap OÜ
 Veetorni 9,
 Jüri alevik, Rae vald,
 75301 Harjumaa

MATERIAL:	wood, metal, plastic	A4
WEIGHT:	SCALE: 1:12	SHEET 16 OF 25



ITEM NO.	PART NUMBER
1	board 30x95x900
2	board 45x110x900
3	bolt DIN603 M10x90
4	bolt DIN603 M10x100
5	washer M10 DIN125
6	nut cover M12
7	Washer M10 DIN9054
8	nut DIN985 M10
9	nut cover cap M12

UNLESS OTHERWISE SPECIFIED:
DIMENSIONS ARE IN MILLIMETERS
WEIGHT ARE IN KILOGRAMM

PART NUMBER / DWG NO.:

LM219

	NAME	SIGNATURE	DATE	REVISION
DRAWN	I. Agar		31.03.2021	
APPV'D				

DESCRIPTION:

Play centre Conrad
Assembling curved ramp

MATERIAL:

wood, metal, plastic

A4

WEIGHT:

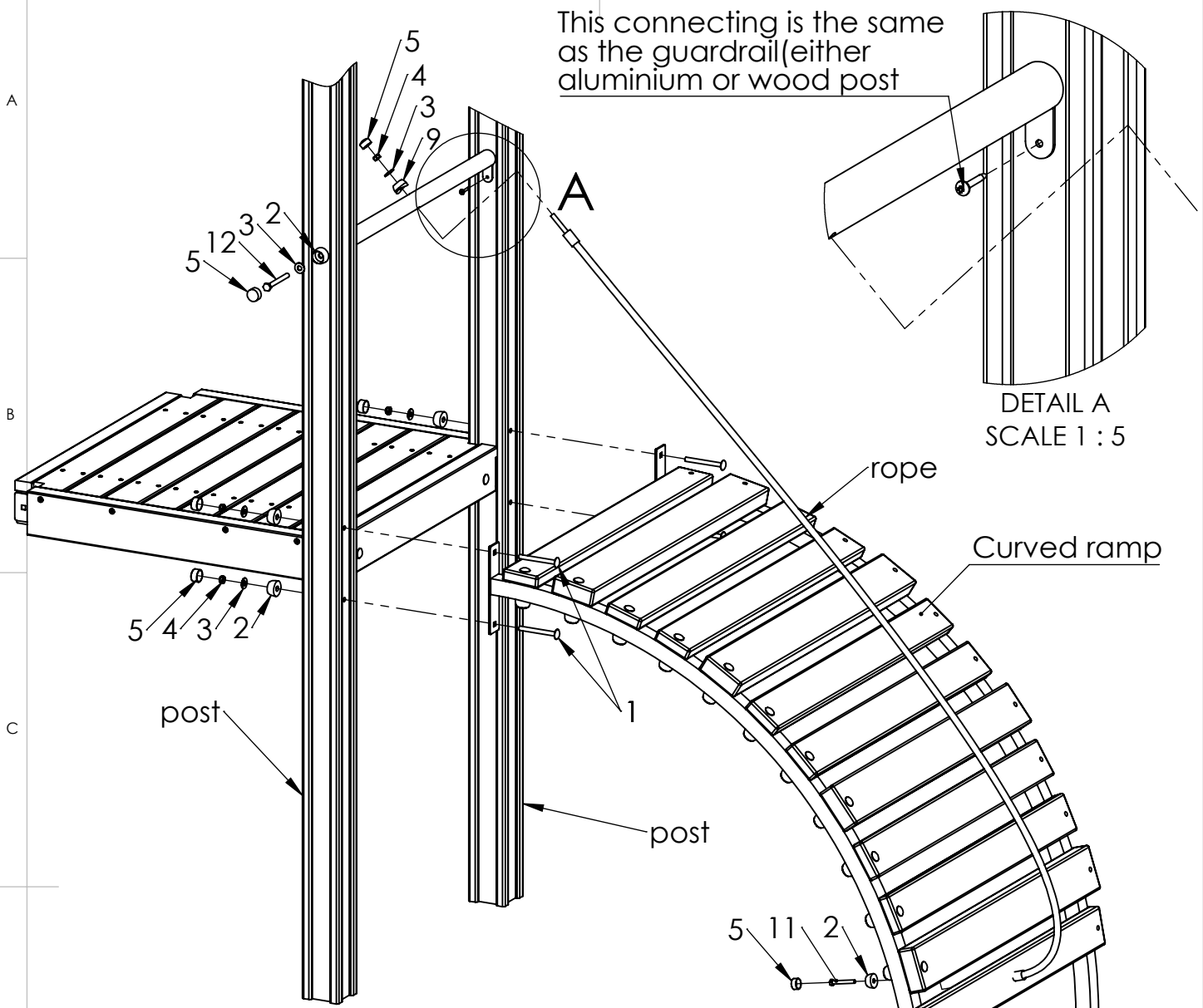
SCALE: 1:12

SHEET 17 OF 25



Tiptiptap OÜ

Tiptiptap OÜ
Veetorni 9,
Jüri alevik, Rae vald,
75301 Harjumaa



ITEM NO.	PART NUMBER	QTY.
1	bolt DIN603 M10x100	4
2	nut cover M12	7
3	Washer M10 DIN9054	6
4	nut DIN985 M10	5
5	nut cover cap M12	8
6	beam 40x770_1 hole	1
7	guardrail d40x770 with 1 hole	1
8	Rope for ramp	1
9	nut cover for beam M10	1
10	screw DIN7504K 5,5x50	1
11	bolt DIN933 M8x60	1
12	bolt DIN931 M10x100	1

UNLESS OTHERWISE SPECIFIED:
DIMENSIONS ARE IN MILLIMETERS
WEIGHT ARE IN KILOGRAMM

NAME	SIGNATURE	DATE	REVISION
DRAWN I. Agar			
APPV'D			

Tiptiptap OÜ
Veetorni 9,
Jüri alevik, Rae vald,
75301 Harjumaa

PART NUMBER / DWG NO.:
LM219

DESCRIPTION:
**Play centre Conrad
connecting ramp to post**

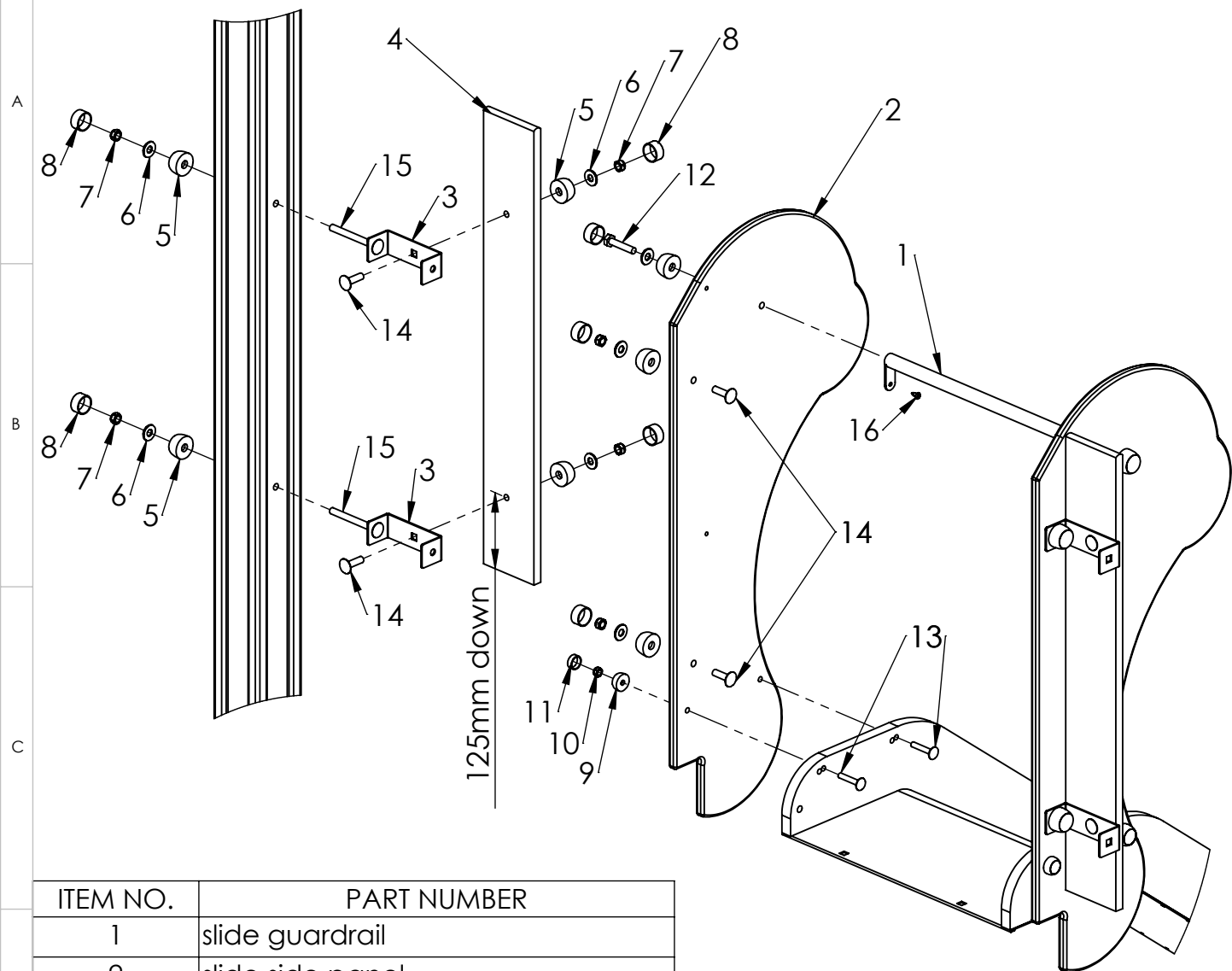
MATERIAL:
wood, metal, plastic

WEIGHT:

SCALE: 1:15

SHEET 18 OF 25

A4



ITEM NO.	PART NUMBER
1	slide guardrail
2	slide side panel
3	slide side panel fixing (45x123x45)
4	side panel 111x770mm
5	nut cover M12
6	Washer M10 DIN9054
7	nut DIN985 M10
8	nut cover cap M12
9	nut cover M8
10	nut DIN985 M8
11	nut cover cap M8
12	bolt DIN931 M10x50
13	bolt DIN603 M8x45
14	bolt DIN603 M10x35
15	bolt DIN603 M10x100
16	wood screw 4,8x13

UNLESS OTHERWISE SPECIFIED:
DIMENSIONS ARE IN MILLIMETERS
WEIGHT ARE IN KILOGRAMM

PART NUMBER / DWG NO.:

LM219

	NAME	SIGNATURE	DATE	REVISION
DRAWN	I.Agar		31.03.2021	
APPV'D				

DESCRIPTION:

Play centre Conrad
Connecting slide guard block to post

MATERIAL:

wood, metal, plastic

A4

WEIGHT:

SCALE: 1:10

SHEET 19 OF 25



Tiptiptap OÜ

Tiptiptap OÜ
Veetorni 9,
Jüri alevik, Rae vald,
75301 Harjumaa

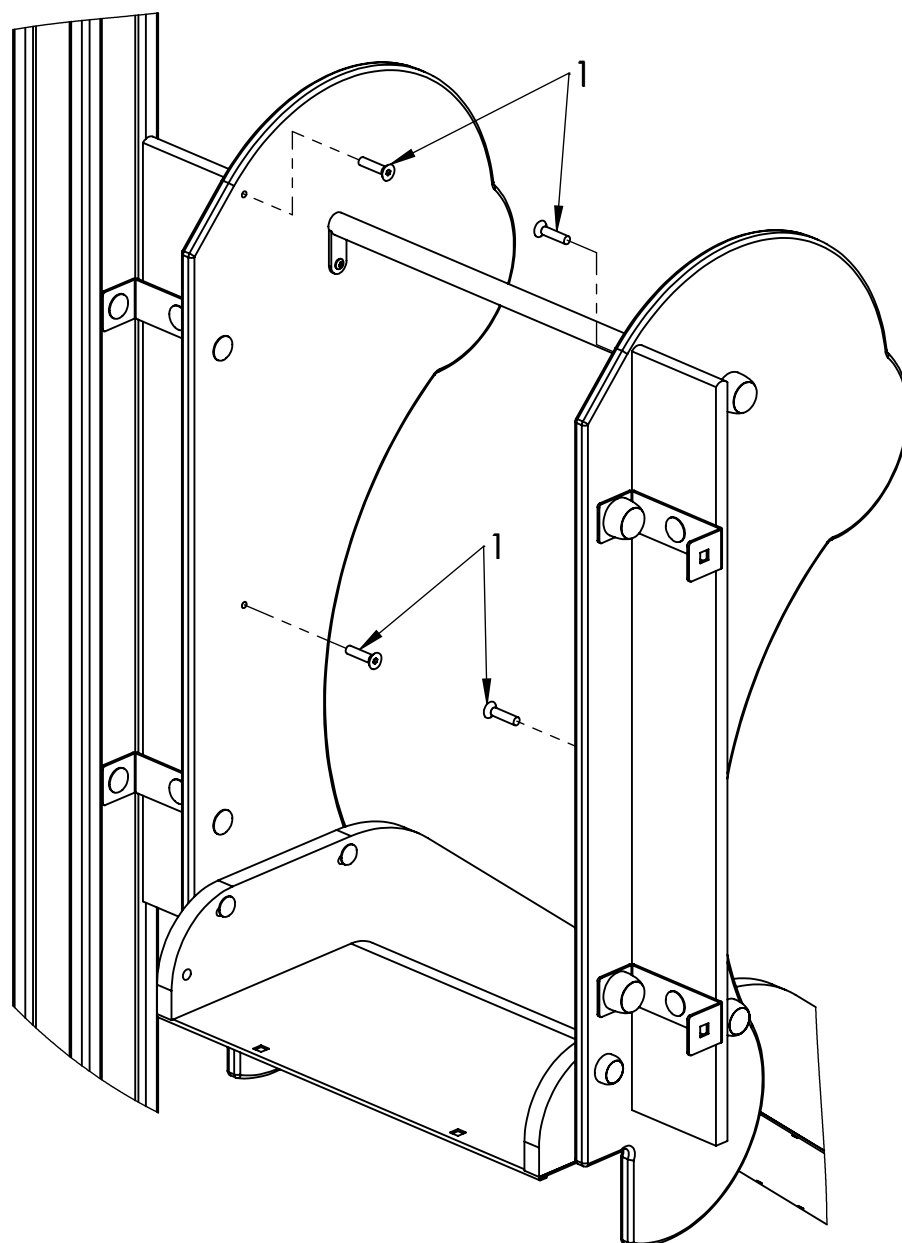
A

B

C

D

E



ITEM NO.	PART NUMBER
1	M6x35 DIN7991

UNLESS OTHERWISE SPECIFIED:
DIMENSIONS ARE IN MILLIMETERS
WEIGHT ARE IN KILOGRAMM

PART NUMBER / DWG NO.:

LM219

	NAME	SIGNATURE	DATE	REVISION
DRAWN	I.Agar		31.03.2021	
APPV'D				

DESCRIPTION:

Play centre Conrad
Connecting slide guard block to post

MATERIAL:

wood, metal, plastic

A4

WEIGHT:

SCALE: 1:7

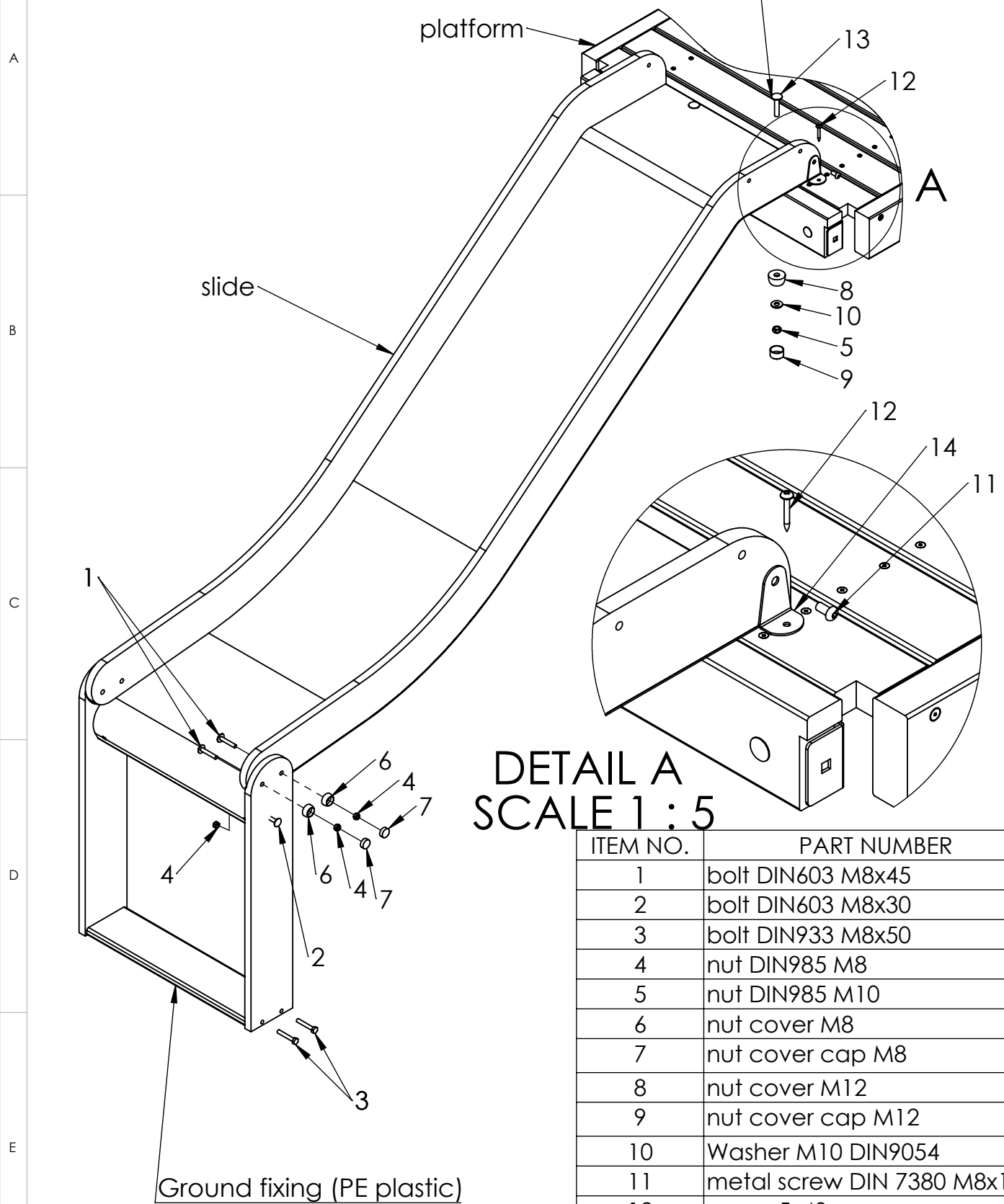
SHEET 20 OF 25



Tiptiptap OÜ

Tiptiptap OÜ
Veetorni 9,
Jüri alevik, Rae vald,
75301 Harjumaa

In the case of a plastic slide, this bolt is M10x60 DIN603



DETAIL A
SCALE 1 : 5

ITEM NO.	PART NUMBER
1	bolt DIN603 M8x45
2	bolt DIN603 M8x30
3	bolt DIN933 M8x50
4	nut DIN985 M8
5	nut DIN985 M10
6	nut cover M8
7	nut cover cap M8
8	nut cover M12
9	nut cover cap M12
10	Washer M10 DIN9054
11	metal screw DIN 7380 M8x16
12	screw 5x40
13	bolt DIN603 M10x50
14	corner 58x30

UNLESS OTHERWISE SPECIFIED:
DIMENSIONS ARE IN MILLIMETERS
WEIGHT ARE IN KILOGRAMM

PART NUMBER / DWG NO.:

LM219

	NAME	SIGNATURE	DATE	REVISION
DRAWN	I.Agar		31.03.2021	
APPV'D				

DESCRIPTION:

Play centre Conrad
connecting slide to platform



Tiptiptap OÜ

Tiptiptap OÜ
Veetorni 9,
Jüri alevik, Rae vald,
75301 Harjumaa

MATERIAL:

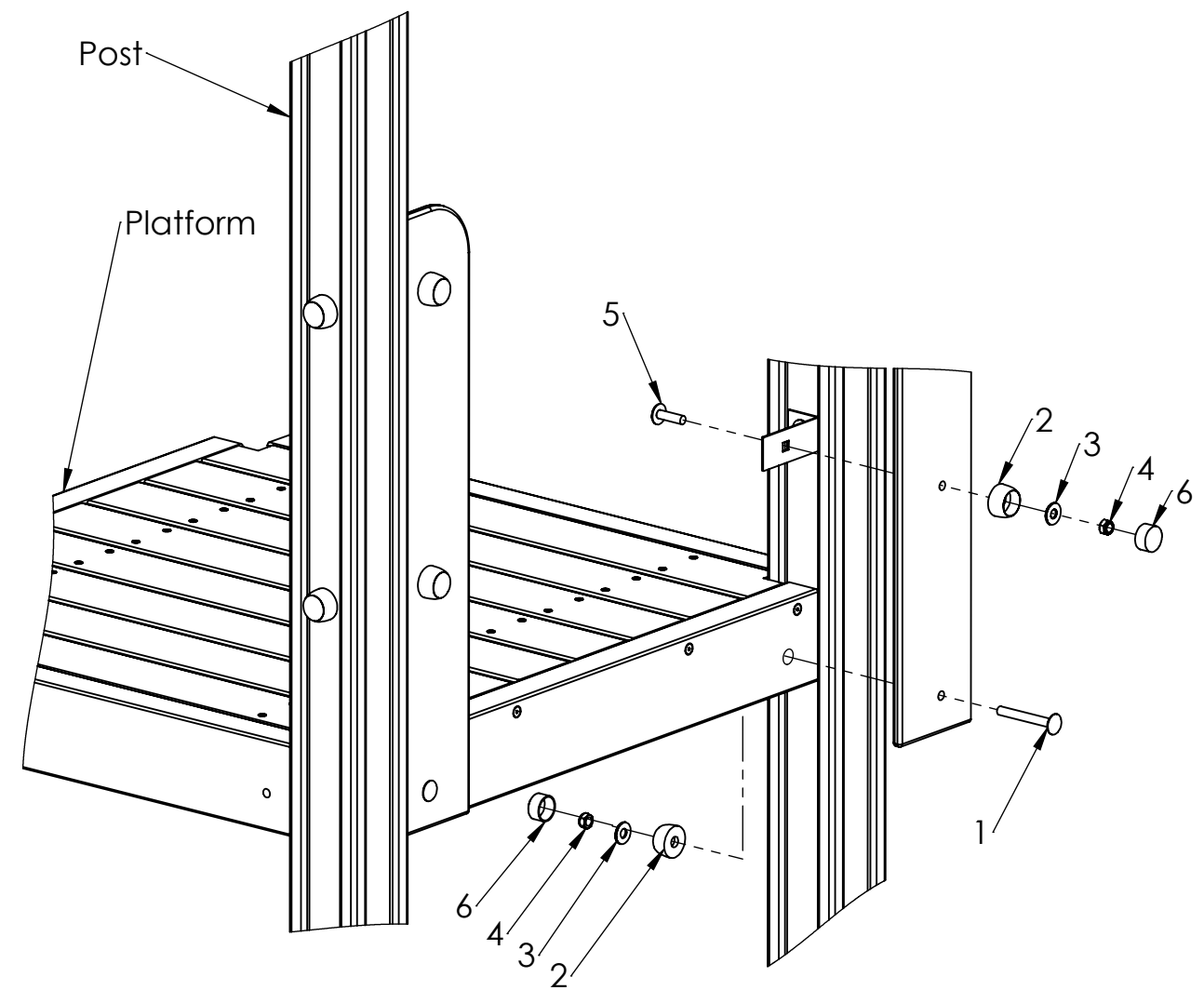
wood, metal, plastic

A4

WEIGHT:

SCALE: 1:12

SHEET 21 OF 25



ITEM NO.	PART NUMBER
1	bolt DIN603 M10x80
2	nut cover M12
3	Washer M10 DIN9054
4	nut DIN985 M10
5	bolt DIN603 M10x35
6	nut cover cap M12

UNLESS OTHERWISE SPECIFIED:
DIMENSIONS ARE IN MILLIMETERS
WEIGHT ARE IN KILOGRAMM

PART NUMBER / DWG NO.:

LM219

	NAME	SIGNATURE	DATE	REVISION
DRAWN	I.Agar		31.03.2021	
APPV'D				

DESCRIPTION:

Play centre Conrad
Connecting climbing pole side panel to post



Tiptaptap OÜ

Tiptaptap OÜ
Veetorni 9,
Jüri alevik, Rae vald,
75301 Harjumaa

MATERIAL:

wood, metal, plastic

A4

WEIGHT:

SCALE: 1:8

SHEET 22 OF 25

A

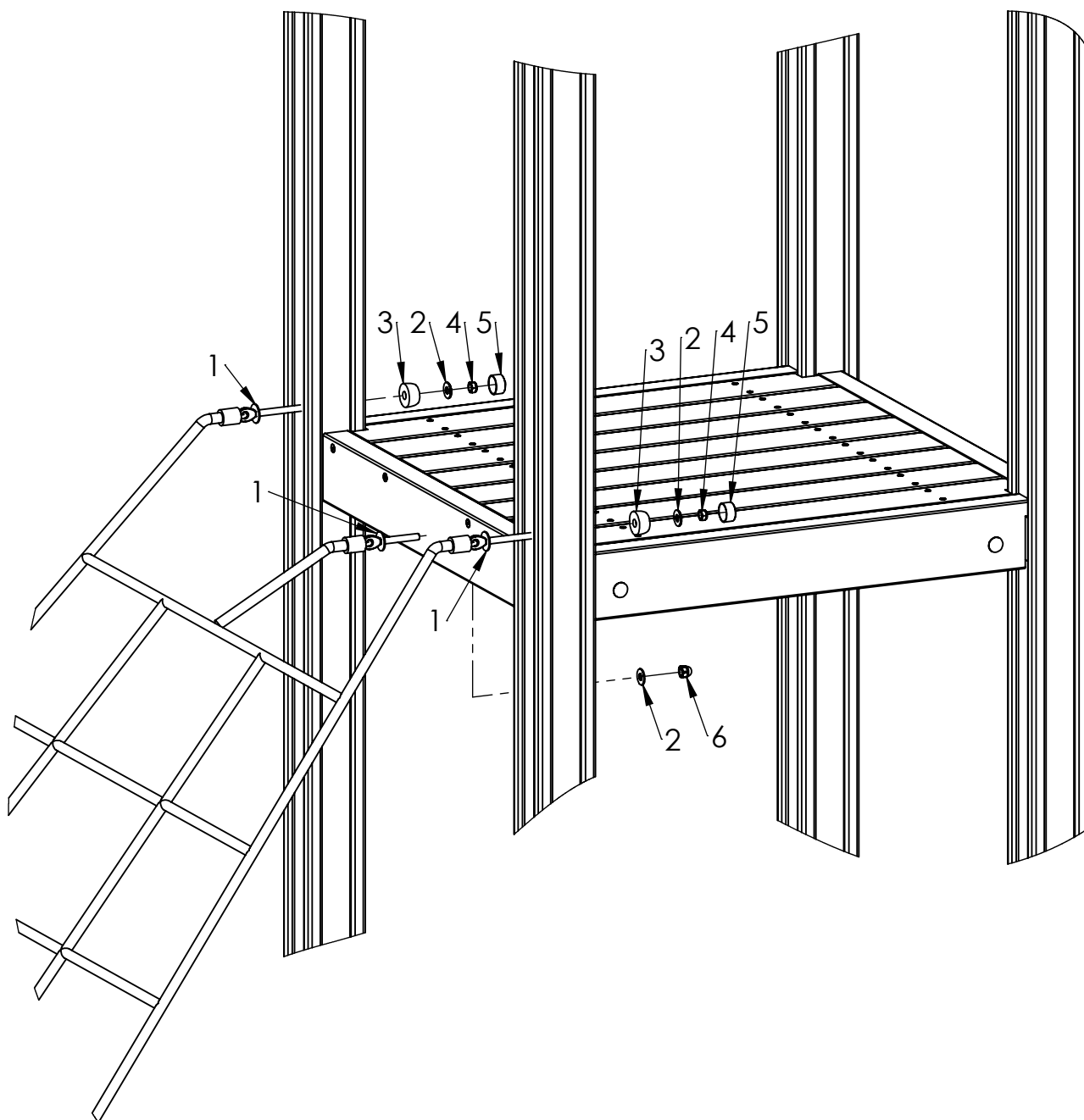
B

C

D

E

F



ITEM NO.	PART NUMBER
1	washer M10 DIN9021
2	Washer M10 DIN9054
3	nut cover M12
4	nut DIN985 M10
5	nut cover cap M12
6	domed cap nut DIN986 M10

UNLESS OTHERWISE SPECIFIED:
DIMENSIONS ARE IN MILLIMETERS
WEIGHT ARE IN KILOGRAMM

PART NUMBER / DWG NO.:

LM219

	NAME	SIGNATURE	DATE	REVISION
DRAWN	I.Agar		31.03.2021	
APPV'D				

DESCRIPTION:

Play centre Conrad

MATERIAL:

wood, metal, plastic

A4

WEIGHT:

SCALE: 1:10

SHEET 23 OF 25



Tiptiptap OÜ

Tiptiptap OÜ
Veetorni 9,
Jüri alevik, Rae vald,
75301 Harjumaa

A

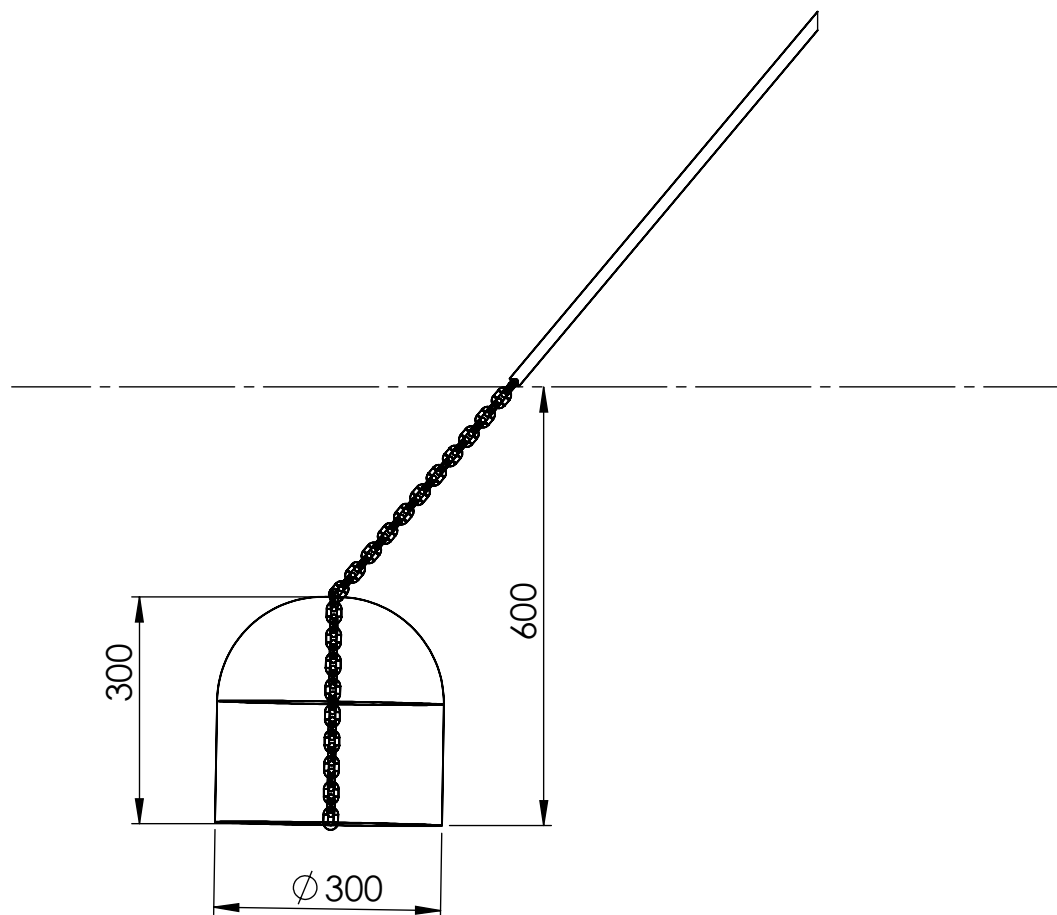
B

C

D

E

F



UNLESS OTHERWISE SPECIFIED:
DIMENSIONS ARE IN MILLIMETERS
WEIGHT ARE IN KILOGRAMM

PART NUMBER / DWG NO.:

LM219

	NAME	SIGNATURE	DATE	REVISION
DRAWN	I.Agar		31.03.2021	
APPV'D				

DESCRIPTION:

Play centre Conrad



Tiptiptap OÜ

Tiptiptap OÜ
Veetorni 9,
Jüri alevik, Rae vald,
75301 Harjumaa

MATERIAL:

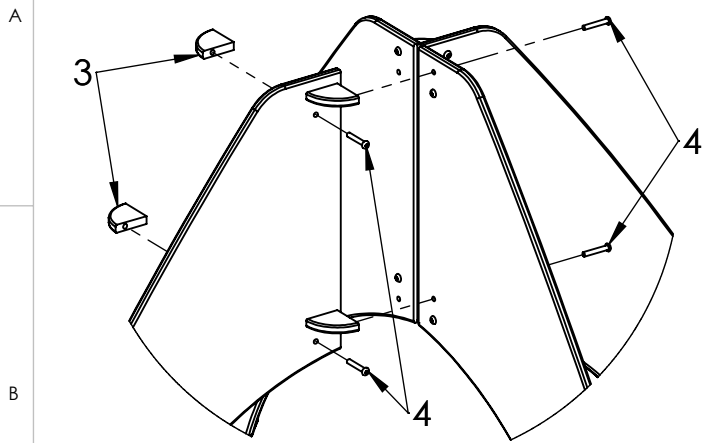
wood, metal, plastic

A4

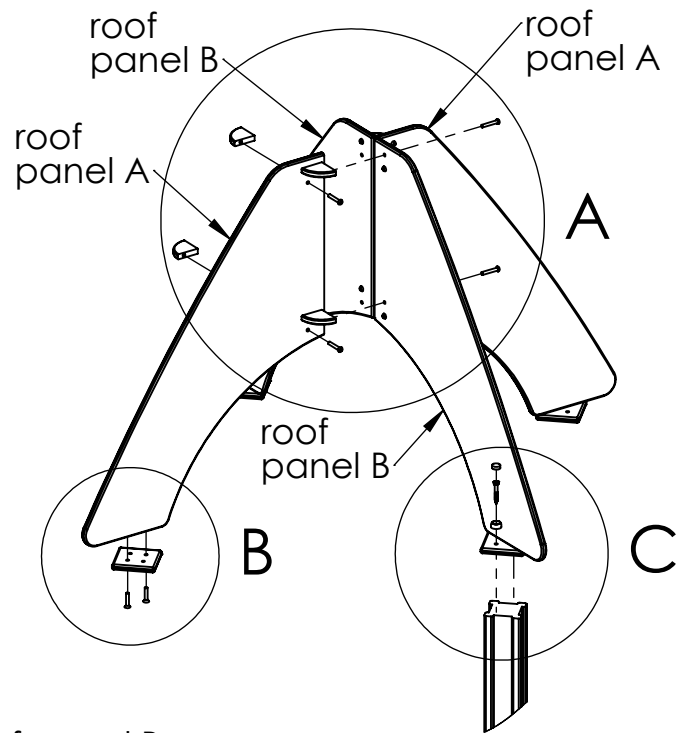
WEIGHT:

SCALE: 1:10

SHEET 24 OF 25

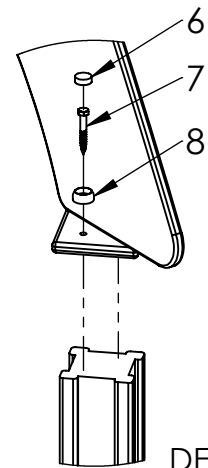
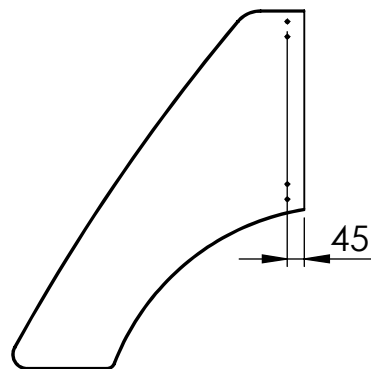
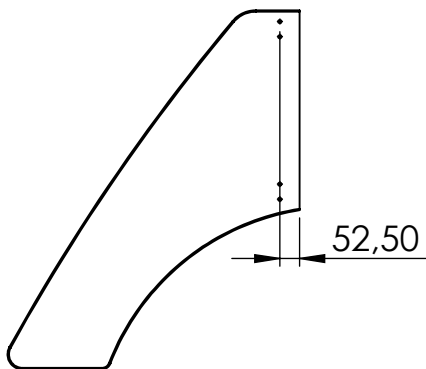


DETAIL A
SCALE 1 : 13

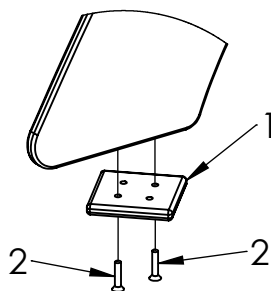


roof panel A

roof panel B



DETAIL C
SCALE 1 : 10



DETAIL B
SCALE 1 : 10

ITEM NO.	PART NUMBER
1	plastic cap 115x115 for roof
2	M8x40 DIN7991
3	plastic corner 90°
4	metal screw DIN 7380 M8x40
5	plastic cap 115x115
6	nut cover cap M8
7	wood screw DIN571 8x60
8	nut cover M8

UNLESS OTHERWISE SPECIFIED:
DIMENSIONS ARE IN MILLIMETERS
WEIGHT ARE IN KILOGRAMM

PART NUMBER / DWG NO.:

LM219

	NAME	SIGNATURE	DATE	REVISION
DRAWN	I.Agar		31.03.2021	
APPV'D				

DESCRIPTION:

Play centre Conrad
roof assembly

MATERIAL:

wood, metal, plastic

A4

WEIGHT:

SCALE: 1:50

SHEET 25 OF 25



Tiptiptap OÜ

Tiptiptap OÜ
Veetorni 9,
Jüri alevik, Rae vald,
75301 Harjumaa