

A

B

C

D

E

F

UNLESS OTHERWISE SPECIFIED: DIMENSIONS ARE IN MILLIMETERS WEIGHT ARE IN KILOGRAMM				
	NAME	SIGNATURE	DATE	REVISION
DRAWN	I.Agar		17.03.2025	
APPV'D				

PART NUMBER / DWG NO.:
LM218

DESCRIPTION:
Play centre Ingrid



MATERIAL:	wood, metal, plastic	A4
WEIGHT:	SCALE: 1:30	SHEET 1 OF 25

Safety area

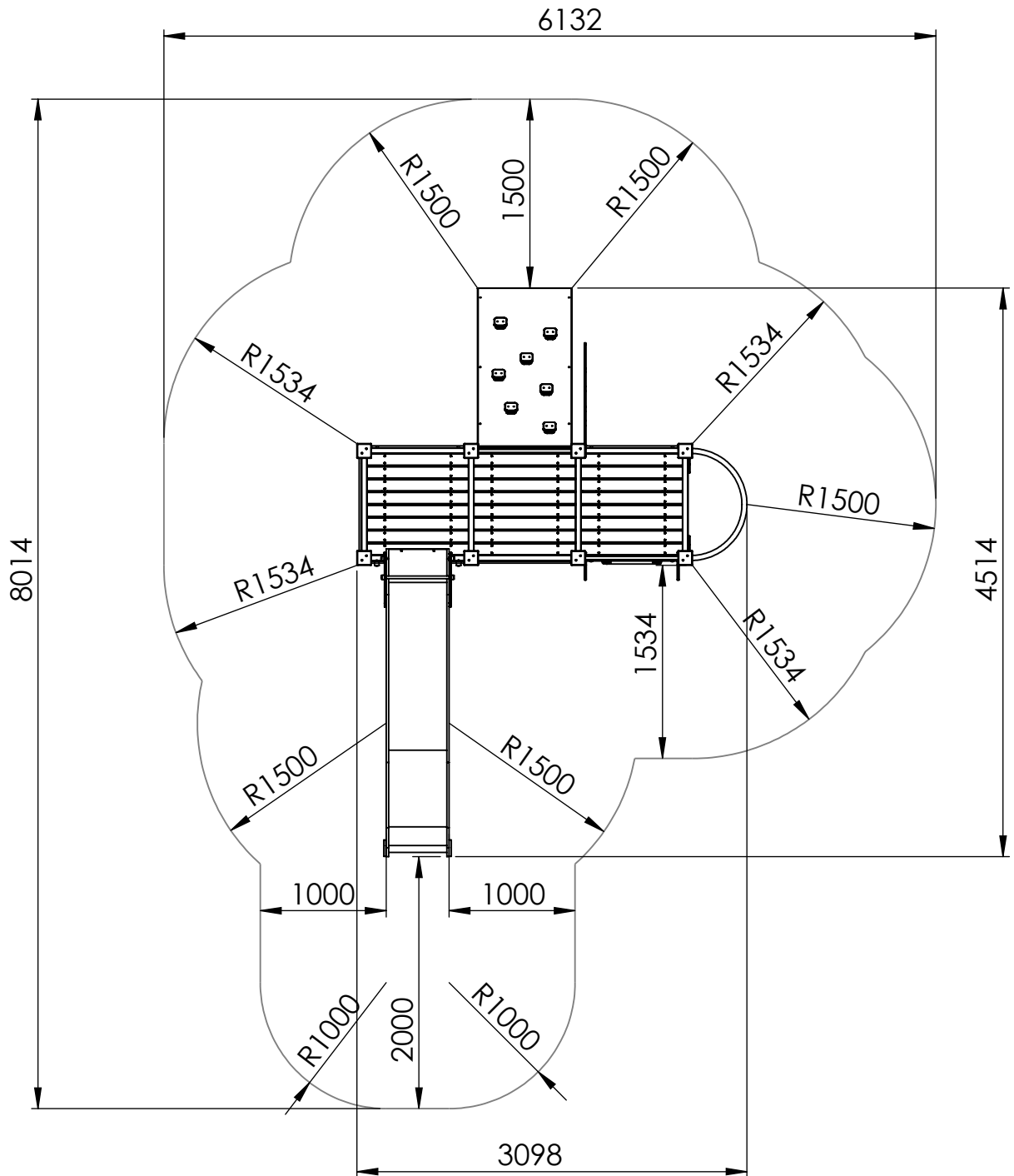
A

B

C

D

E



safety area: 32,55 m²

UNLESS OTHERWISE SPECIFIED:
DIMENSIONS ARE IN MILLIMETERS
WEIGHT ARE IN KILOGRAMM

PART NUMBER / DWG NO.:

LM218

	NAME	SIGNATURE	DATE	REVISION
DRAWN	I.Agar		17.03.2025	
APPV'D				

DESCRIPTION:

Play centre Ingrid

MATERIAL:

wood, metal, plastic

A4

WEIGHT:

SCALE: 1:50

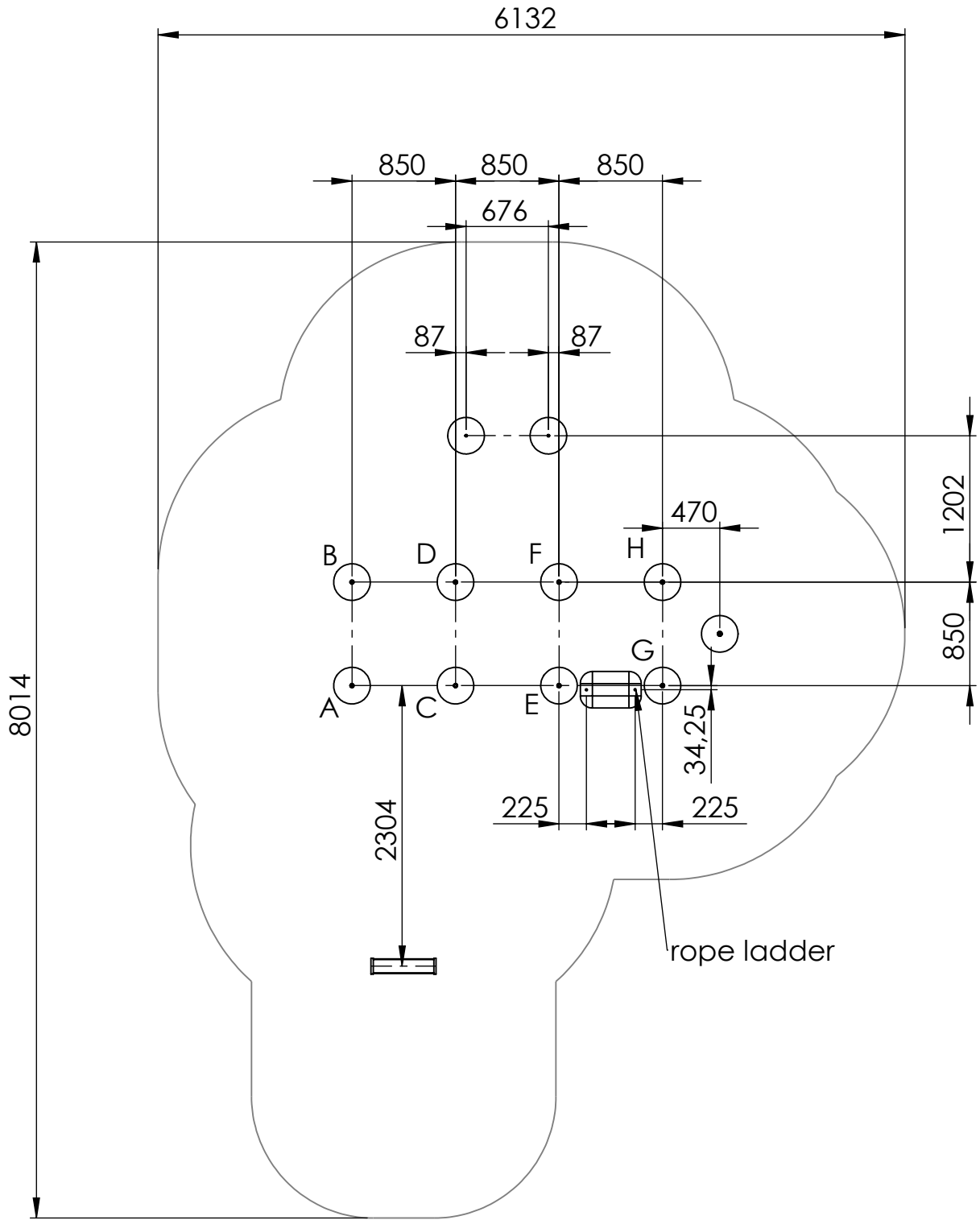
SHEET 2 OF 25



Tiptiptap OÜ

Foundation

A
B
C
D
E



Depth of foundation: 600mm

UNLESS OTHERWISE SPECIFIED:
DIMENSIONS ARE IN MILLIMETERS
WEIGHT ARE IN KILOGRAMM

PART NUMBER / DWG NO.:

LM218

	NAME	SIGNATURE	DATE	REVISION
DRAWN	I.Agar		17.03.2025	
APPV'D				

DESCRIPTION:

Play centre Ingrid



Tiptiptap^{ÖÜ}

MATERIAL:

wood, metal, plastic

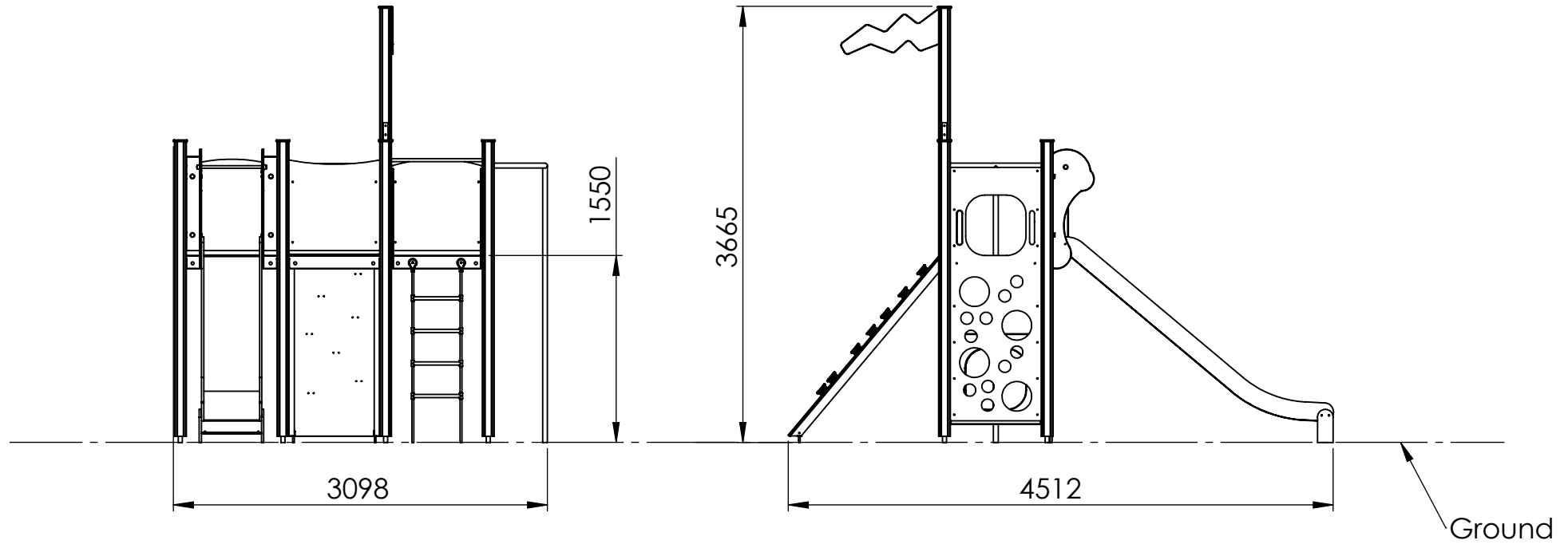
A4

WEIGHT:

SCALE: 1:50

SHEET 3 OF 25

Dimensions



UNLESS OTHERWISE SPECIFIED:
DIMENSIONS ARE IN MILLIMETERS
WEIGHT ARE IN KILOGRAMM

PART NUMBER / DWG NO.:
LM218

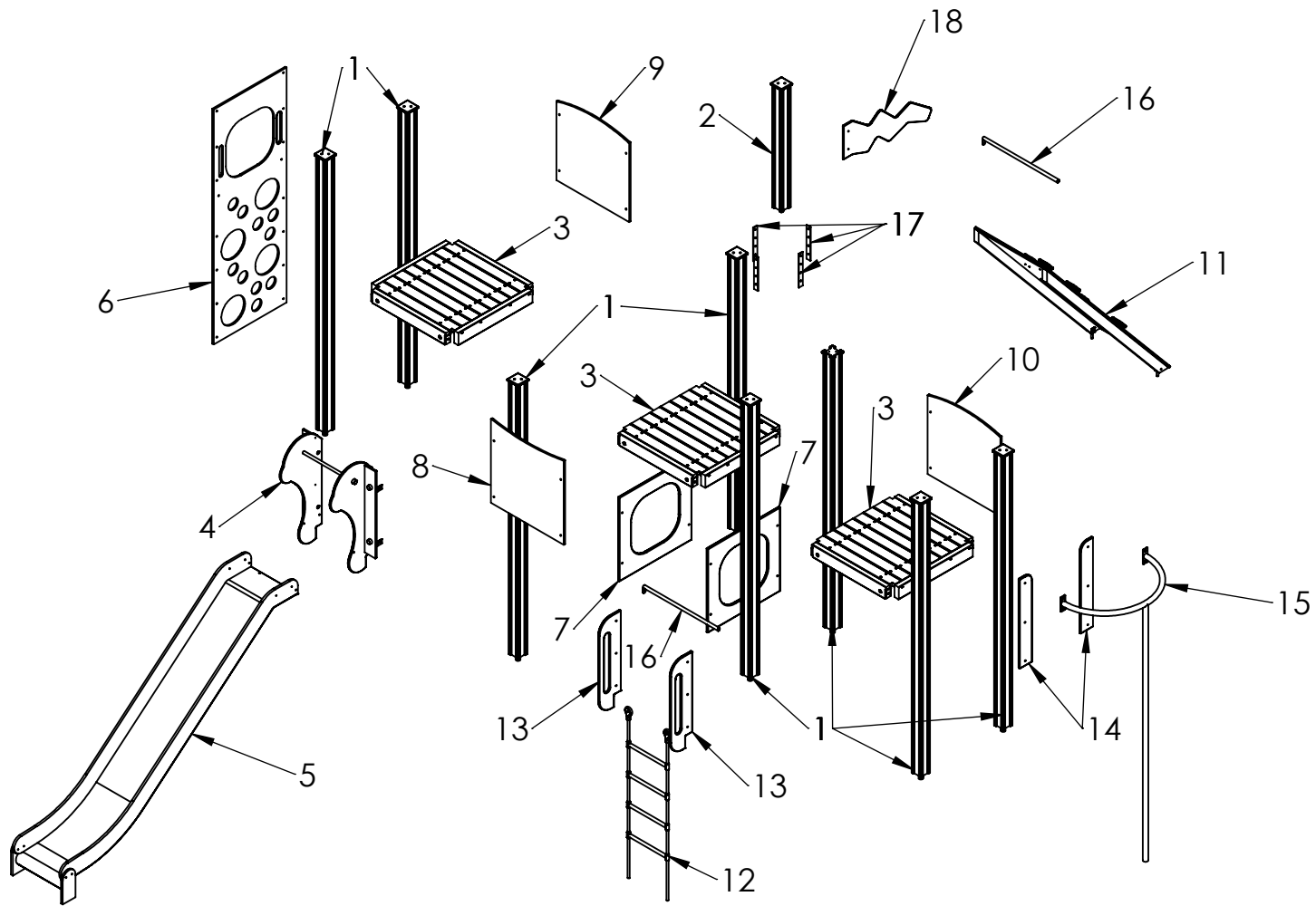
	NAME	SIGNATURE	DATE	REVISION
DRAWN	I.Agar		17.03.2025	
APPV'D				

DESCRIPTION:
Play centre Ingrid



MATERIAL: wood, metal, plastic **A4**

WEIGHT: SCALE: 1:50 SHEET 4 OF 25



UNLESS OTHERWISE SPECIFIED:
 DIMENSIONS ARE IN MILLIMETERS
 WEIGHT ARE IN KILOGRAMM

PART NUMBER / DWG NO.: **LM218**


	NAME	SIGNATURE	DATE	REVISION
DRAWN	I.Agar		17.03.2025	
APPV'D				

DESCRIPTION: **Play centre Ingrid**



MATERIAL:	wood, metal, plastic	A4
WEIGHT:	SCALE: 1:50	SHEET 5 OF 25

	ITEM NO.	PART NUMBER
A	1	post 98x98x2450
	2	post 98x98x1150
	3	platform
B	4	slide guard block
	5	slide h_1550
	6	LM218 climbing wall
	7	LM218 panel with hole
C	8	downward curved panel, lower hole 70mm
	9	Upward curved panel, lower hole 100mm
	10	Upward curved panel, lower hole 70mm
	11	LM218 climbing ramp
	12	rope ladder
D	13	LM218 handle
	14	LM218 climbing pole side panels
	15	Climbing pole for 1550 platform
	16	Tube D25x770
	17	LM218 Aluminium post connector
E	18	LM218 flag

UNLESS OTHERWISE SPECIFIED: DIMENSIONS ARE IN MILLIMETERS WEIGHT ARE IN KILOGRAMM				PART NUMBER / DWG NO.:		LM218	
	NAME	SIGNATURE	DATE	REVISION	DESCRIPTION: Play centre Ingrid		
DRAWN	I.Agar		17.03.2025				
APPV'D							
 Tiptiptap ^{OO}					MATERIAL:		A4
					wood, metal, plastic		
WEIGHT:					SCALE: 1:50		SHEET 6 OF 25

A

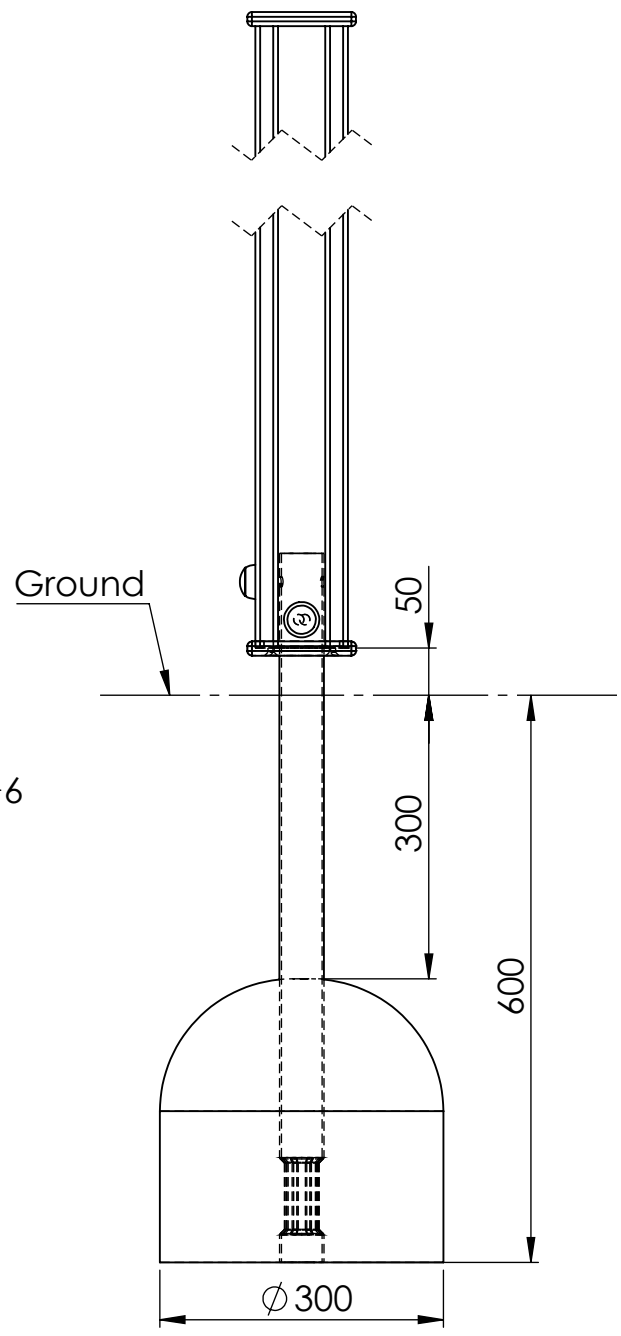
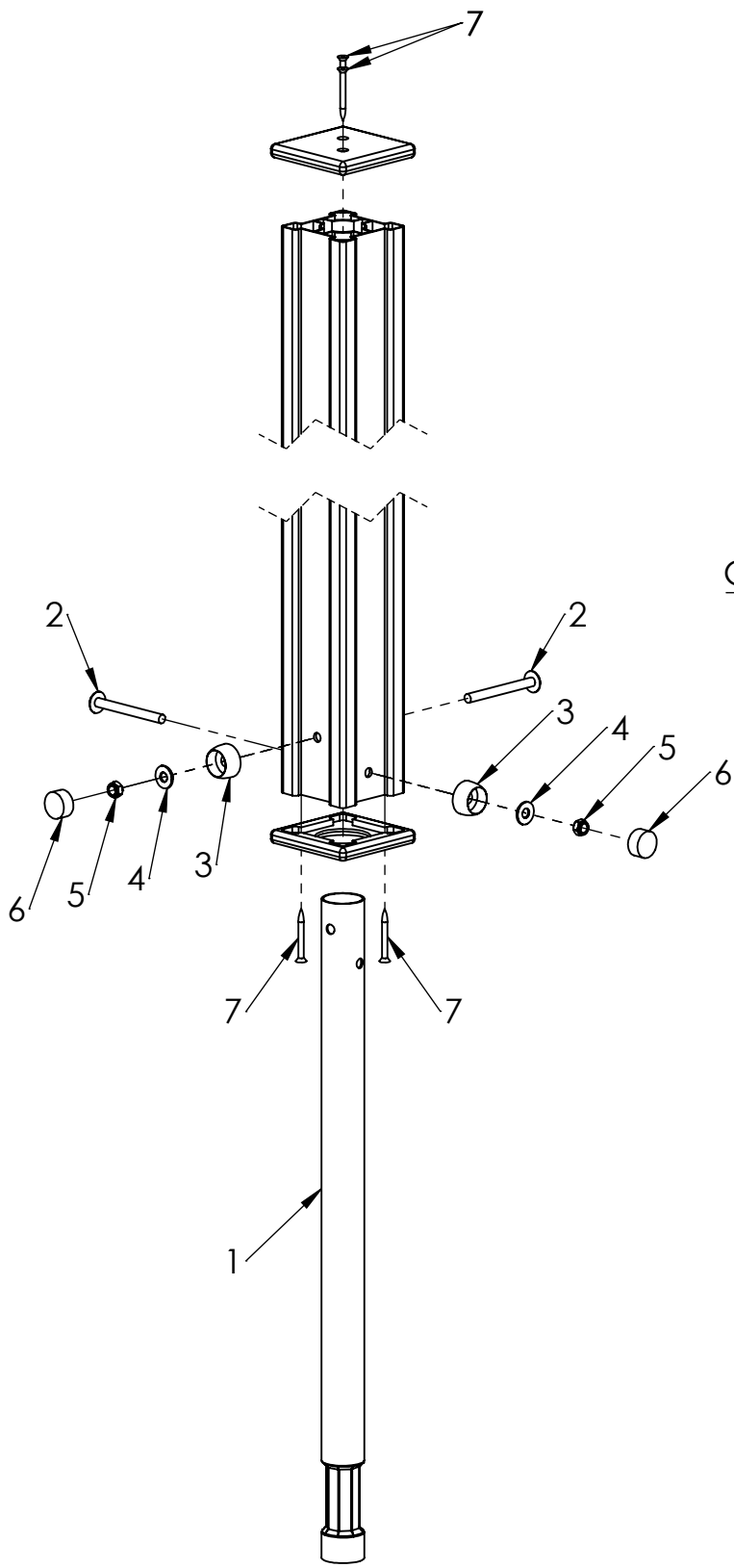
B

C

D

E

F



ITEM NO.	PART NUMBER
1	metal ground fixing L_750
2	bolt DIN603 M10x100
3	M12 Nut cover
4	M10 Washer DIN9054
5	M10 Nut DIN985
6	M12 Nut cover cap
7	woodscrew 6x60

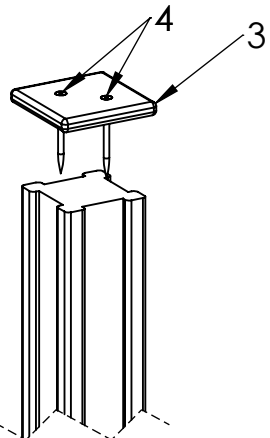
UNLESS OTHERWISE SPECIFIED: DIMENSIONS ARE IN MILLIMETERS WEIGHT ARE IN KILOGRAMM				
	NAME	SIGNATURE	DATE	REVISION
DRAWN	I.Agar		17.03.2025	
APPV'D				

PART NUMBER / DWG NO.:	LM218
DESCRIPTION:	Play centre Ingrid connecting metal ground fixing to aluminium post

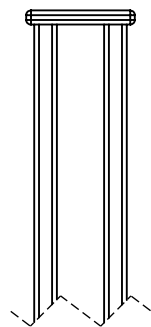


MATERIAL:	wood, metal, plastic	A4
WEIGHT:	SCALE: 1:8	SHEET 7 OF 25

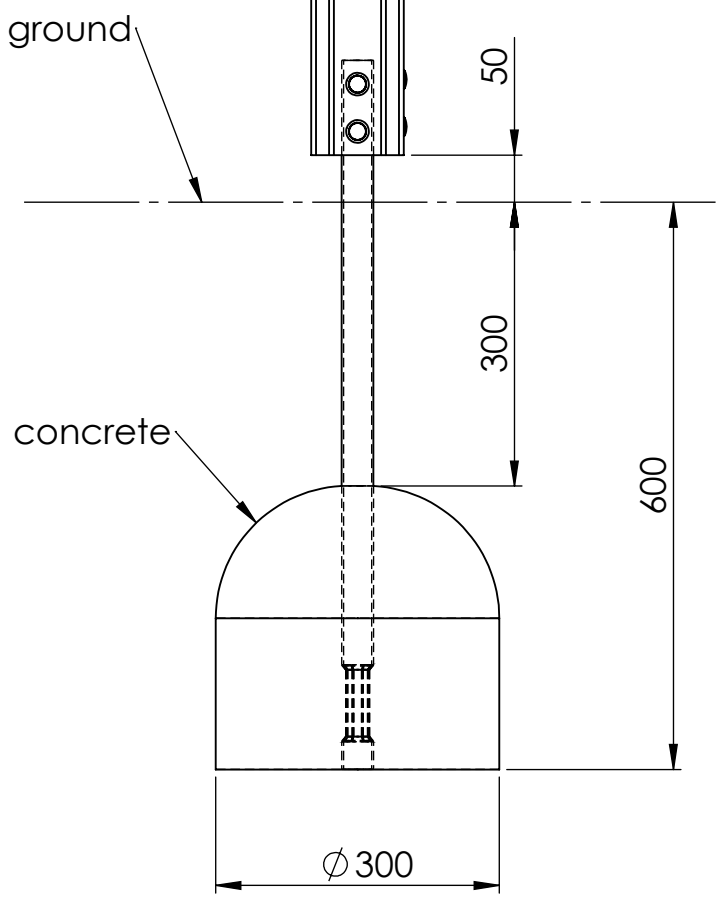
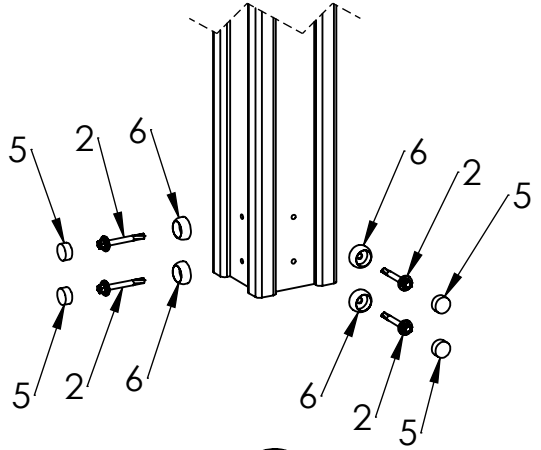
A



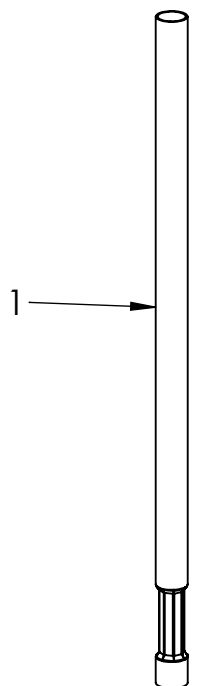
B



C



D



E

ITEM NO.	PART NUMBER
1	metal ground fixing L_750
2	screw DIN7504K 5,5x50
3	plastic cap 115x115
4	woodscrew 6 x 90
5	nut cover cap M6
6	nut cover M6

UNLESS OTHERWISE SPECIFIED: DIMENSIONS ARE IN MILLIMETERS WEIGHT ARE IN KILOGRAMM				
	NAME	SIGNATURE	DATE	REVISION
DRAWN	I.Agar		17.03.2025	
APPV'D				

PART NUMBER / DWG NO.:	LM218
------------------------	-------

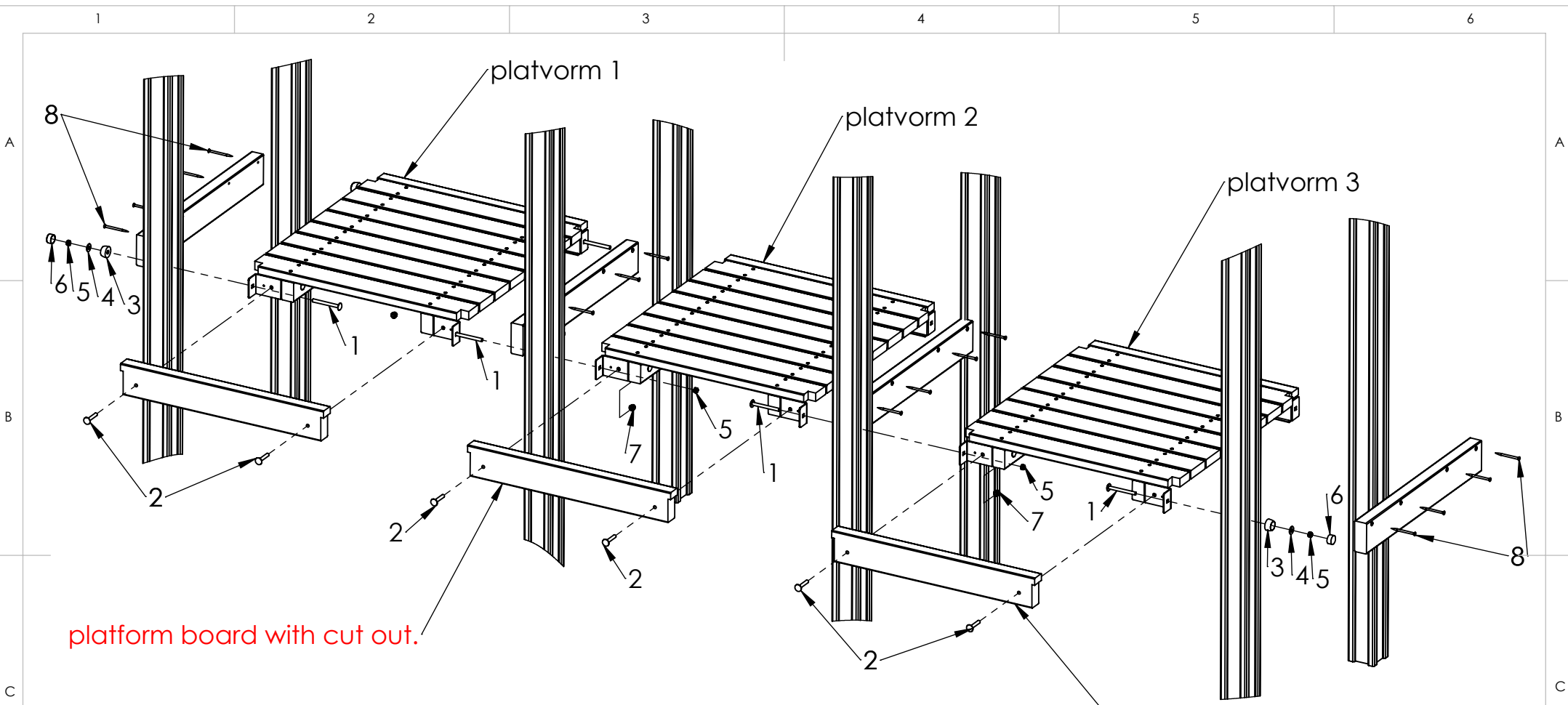
DESCRIPTION:	Play centre Ingrid connecting metal ground fixing to post
--------------	--

F



Tiptiptap ^{OO}

MATERIAL:	wood, metal, plastic	A4
WEIGHT:	SCALE: 1:8	SHEET 8 OF 25



platform board with cut out.

platform board with cut out.



ITEM NO.	PART NUMBER
1	bolt DIN603 M10x100
2	bolt DIN603 M10x60
3	nut cover M12
4	Washer M10 DIN9054
5	nut DIN985 M10
6	nut cover cap M12
7	domed cap nut DIN986 M10
8	Woodscrew 6 x 90

UNLESS OTHERWISE SPECIFIED:
DIMENSIONS ARE IN MILLIMETERS
WEIGHT ARE IN KILOGRAMM

	NAME	SIGNATURE	DATE	REVISION
DRAWN	R.Fedotov		17.03.2025	
APPV'D				



PART NUMBER / DWG NO.: **LM218**

DESCRIPTION: **Play centre Ingrid**

MATERIAL: **wood, metal, plastic** A4

WEIGHT: SCALE: 1:18 SHEET 9 OF 25

A

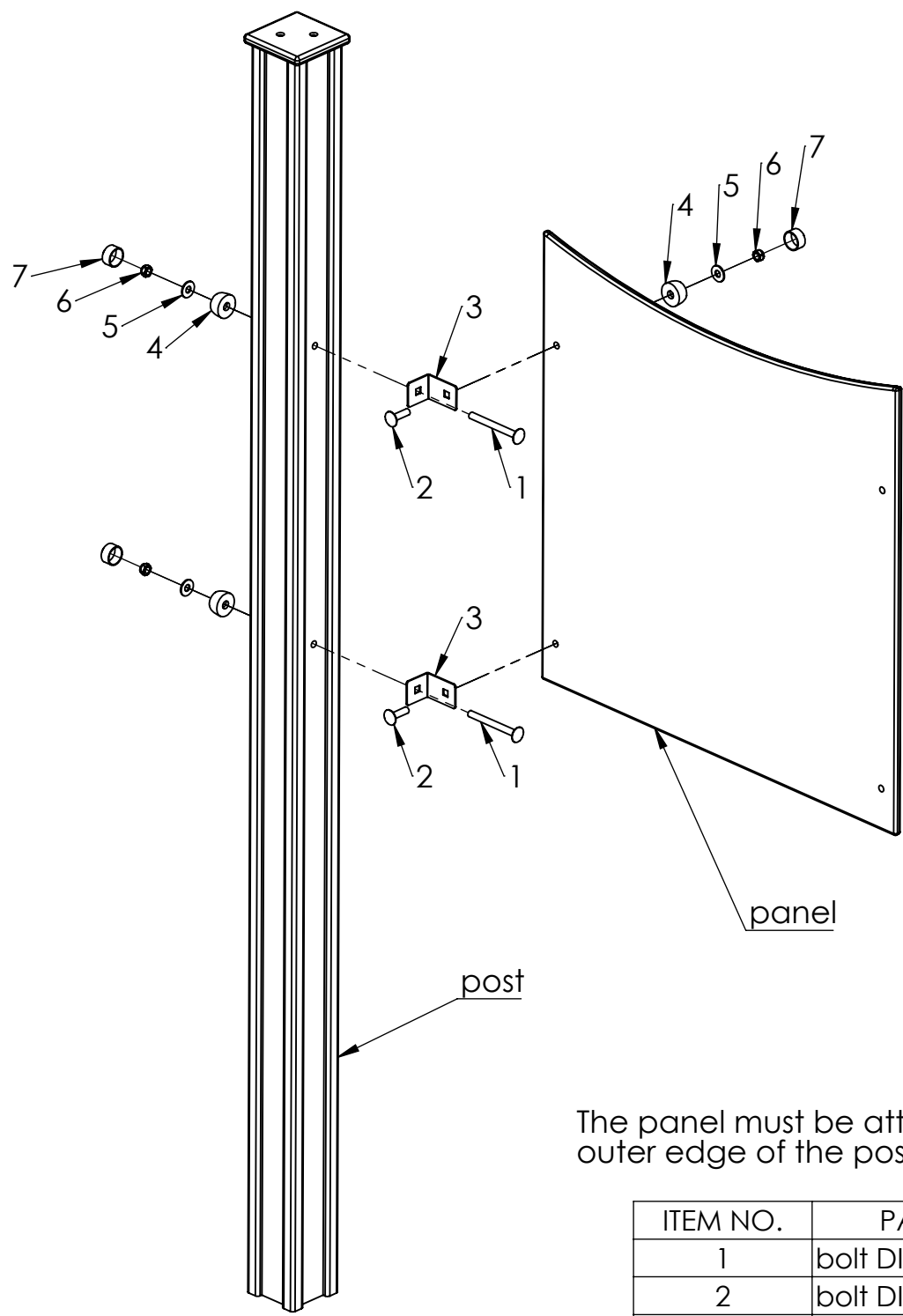
B

C

D

E

F



The panel must be attached to the outer edge of the post !!!

ITEM NO.	PART NUMBER
1	bolt DIN603 M10x100
2	bolt DIN603 M10x35
3	Corner 90° (45x60)
4	nut cover M12
5	Washer M10 DIN9054
6	nut DIN985 M10
7	nut cover cap M12

UNLESS OTHERWISE SPECIFIED:
DIMENSIONS ARE IN MILLIMETERS
WEIGHT ARE IN KILOGRAMM

PART NUMBER / DWG NO.:
LM218

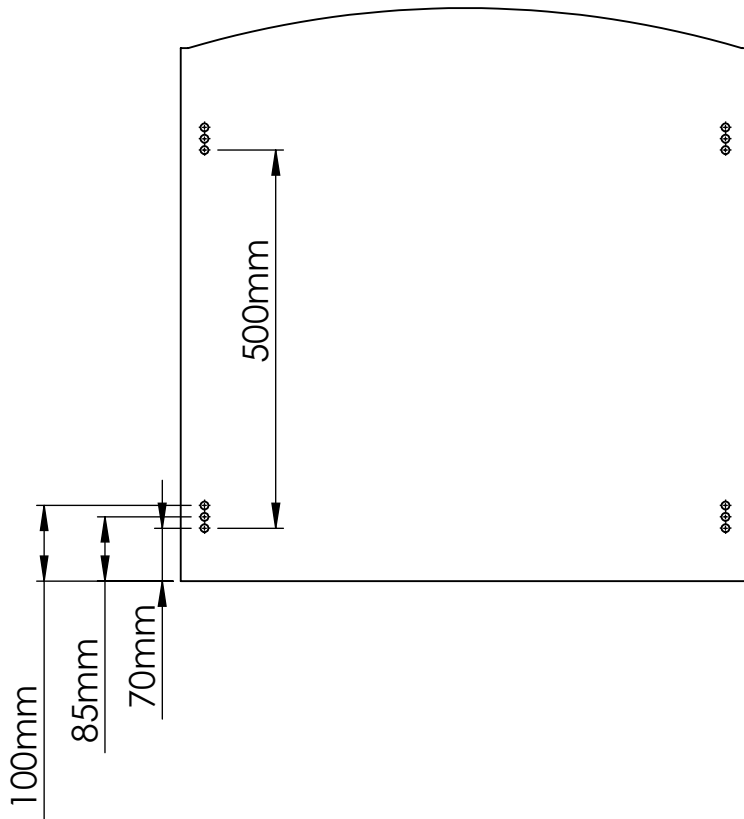
	NAME	SIGNATURE	DATE	REVISION
DRAWN	I.Agar		17.03.2025	
APPV'D				

DESCRIPTION:
**Play centre Ingrid
connecting panel to post**

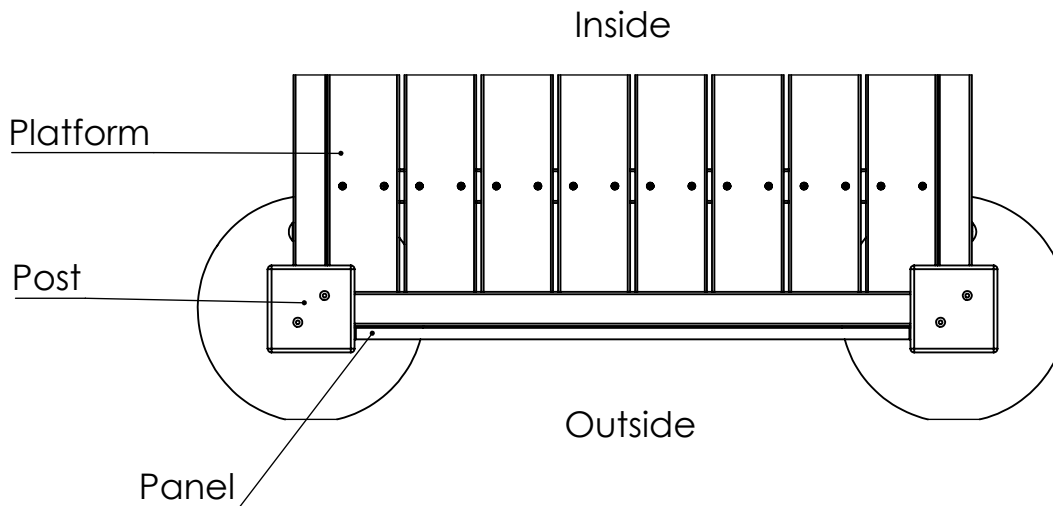


MATERIAL:	wood, metal, plastic	A4
WEIGHT:	SCALE: 1:10	SHEET 10 OF 25

Explanation of the 'lower hole' behind the panel name:



The panel must be installed on the post as shown in the picture!



UNLESS OTHERWISE SPECIFIED:
DIMENSIONS ARE IN MILLIMETERS
WEIGHT ARE IN KILOGRAMM

PART NUMBER / DWG NO.:

LM218

	NAME	SIGNATURE	DATE	REVISION
DRAWN	I.Agar		17.03.2025	
APPV'D				

DESCRIPTION:

Play centre Ingrid
connecting panel to post

MATERIAL:

wood, metal, plastic

A4

WEIGHT:

SCALE: 1:10

SHEET 11 OF 25



Tiptiptap ^{OO}

A

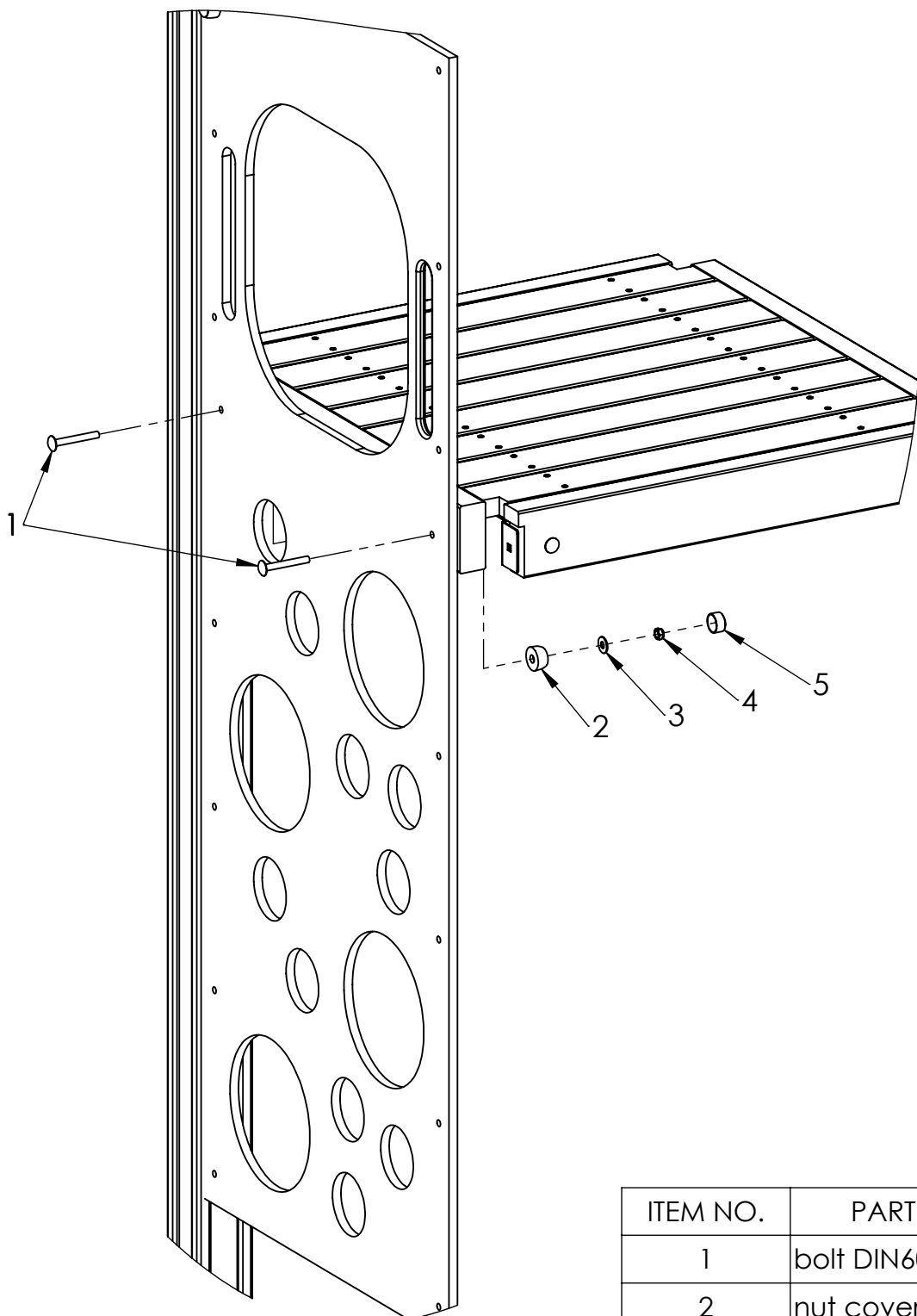
B

C

D

E

F



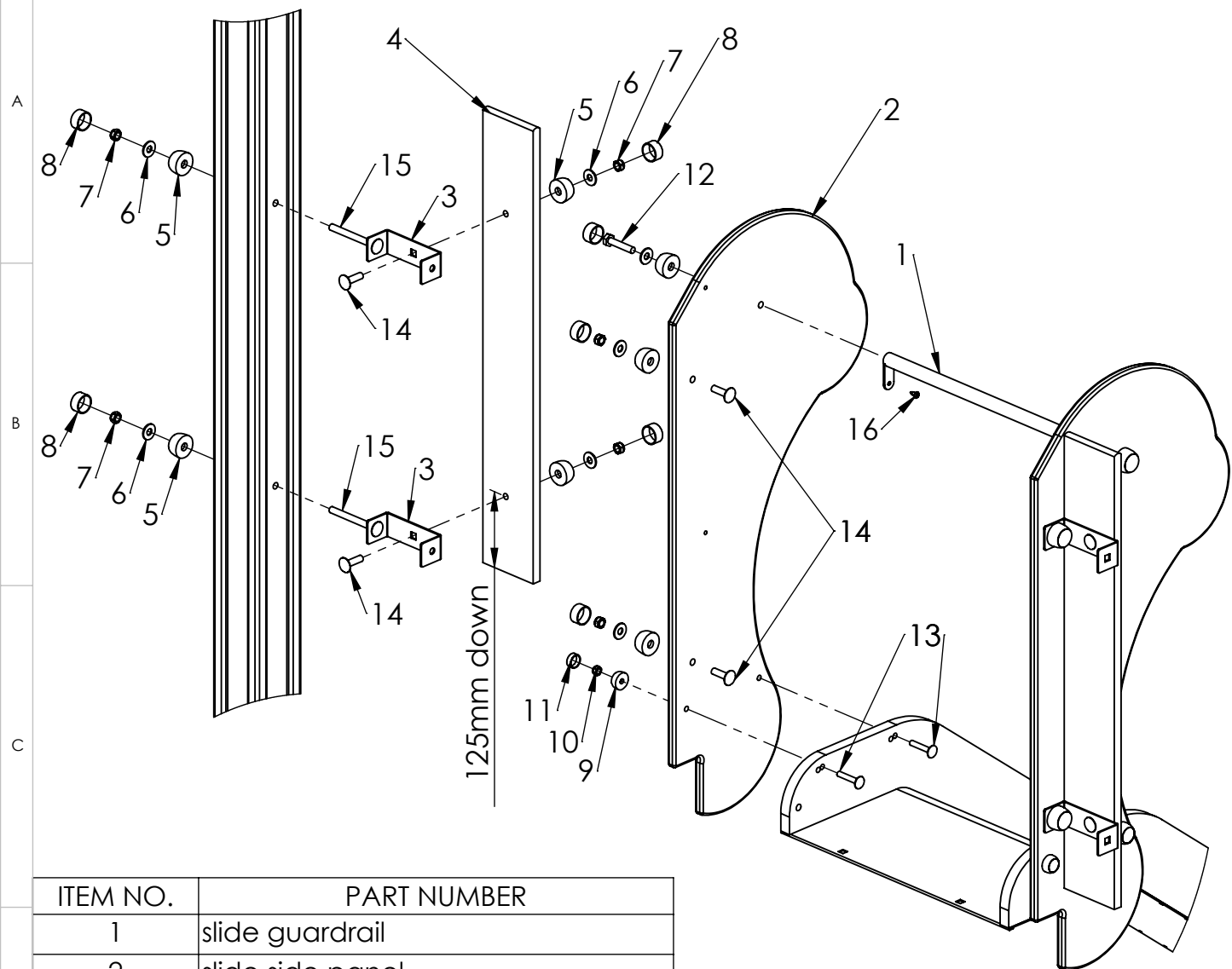
ITEM NO.	PART NUMBER
1	bolt DIN603 M10x80
2	nut cover M12
3	Washer M10 DIN9054
4	nut DIN985 M10
5	nut cover cap M12

UNLESS OTHERWISE SPECIFIED: DIMENSIONS ARE IN MILLIMETERS WEIGHT ARE IN KILOGRAMM				
	NAME	SIGNATURE	DATE	REVISION
DRAWN	I.Agar		17.03.2025	
APPV'D				

PART NUMBER / DWG NO.:	LM218
DESCRIPTION:	Play centre Ingrid



MATERIAL:	wood, metal, plastic	A4
WEIGHT:	SCALE: 1:10	SHEET 12 OF 25



ITEM NO.	PART NUMBER
1	slide guardrail
2	slide side panel
3	slide side panel fixing (45x123x45)
4	side panel 111x770mm
5	nut cover M12
6	Washer M10 DIN9054
7	nut DIN985 M10
8	nut cover cap M12
9	nut cover M8
10	nut DIN985 M8
11	nut cover cap M8
12	bolt DIN931 M10x50
13	bolt DIN603 M8x45
14	bolt DIN603 M10x35
15	bolt DIN603 M10x100
16	wood screw 4,8x13

UNLESS OTHERWISE SPECIFIED:
DIMENSIONS ARE IN MILLIMETERS
WEIGHT ARE IN KILOGRAMM

PART NUMBER / DWG NO.:

LM218

	NAME	SIGNATURE	DATE	REVISION
DRAWN	I.Agar		17.03.2025	
APPV'D				

DESCRIPTION:

Play centre Ingrid
Connecting slide guard block to post

MATERIAL:

wood, metal, plastic

A4

WEIGHT:

SCALE: 1:10

SHEET 13 OF 25



Tiptap OÜ

A

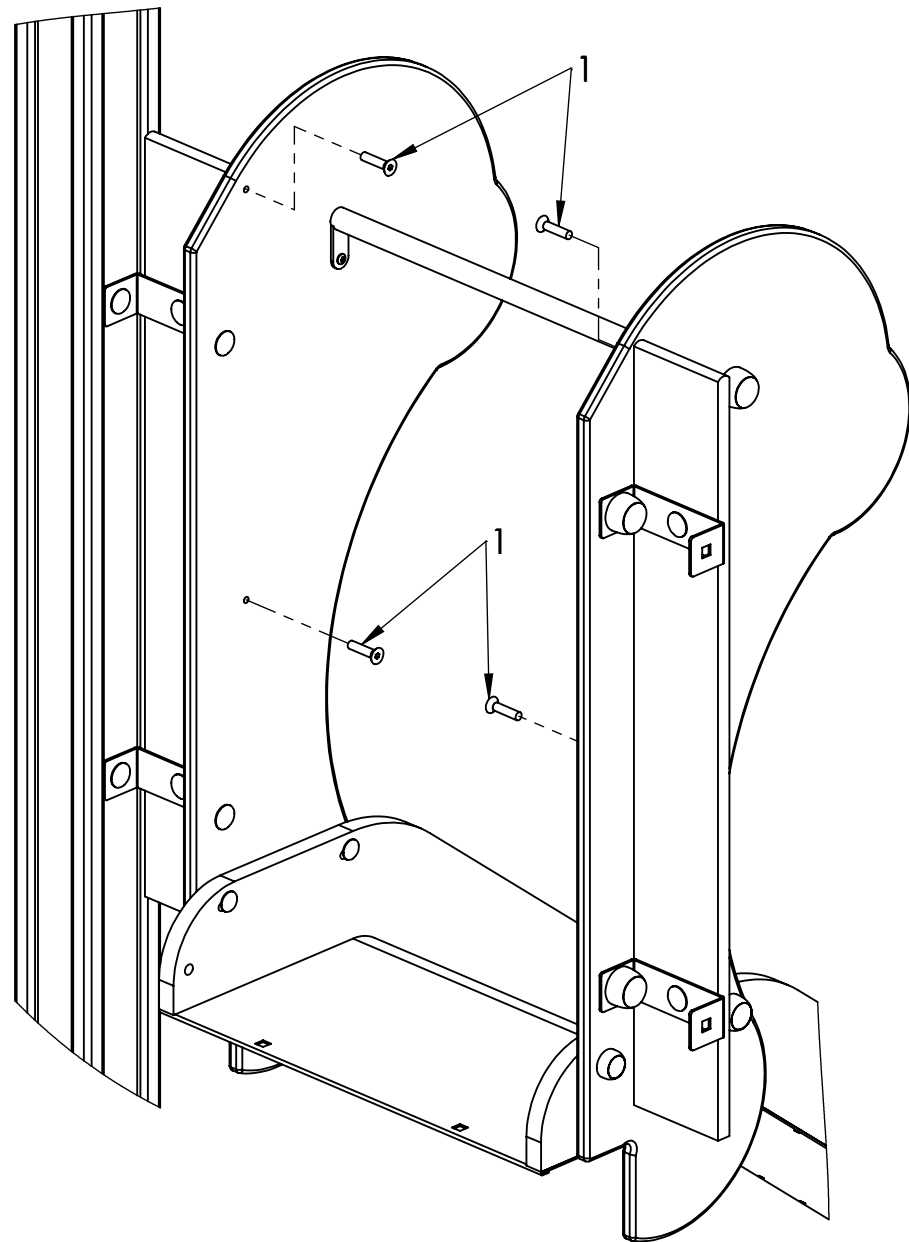
B

C

D

E

F



ITEM NO.	PART NUMBER
1	M6x35 DIN7991

UNLESS OTHERWISE SPECIFIED: DIMENSIONS ARE IN MILLIMETERS WEIGHT ARE IN KILOGRAMM				
	NAME	SIGNATURE	DATE	REVISION
DRAWN	I.Agar		17.03.2025	
APPV'D				

PART NUMBER / DWG NO.:		LM218	
DESCRIPTION:			
Play centre Ingrid Connecting slide guard block to post			
MATERIAL:		wood, metal, plastic	A4
WEIGHT:		SCALE: 1:7	SHEET 14 OF 25



Tiptiptap ⁰⁰

In the case of a plastic slide, this bolt is M10x60 DIN603

A

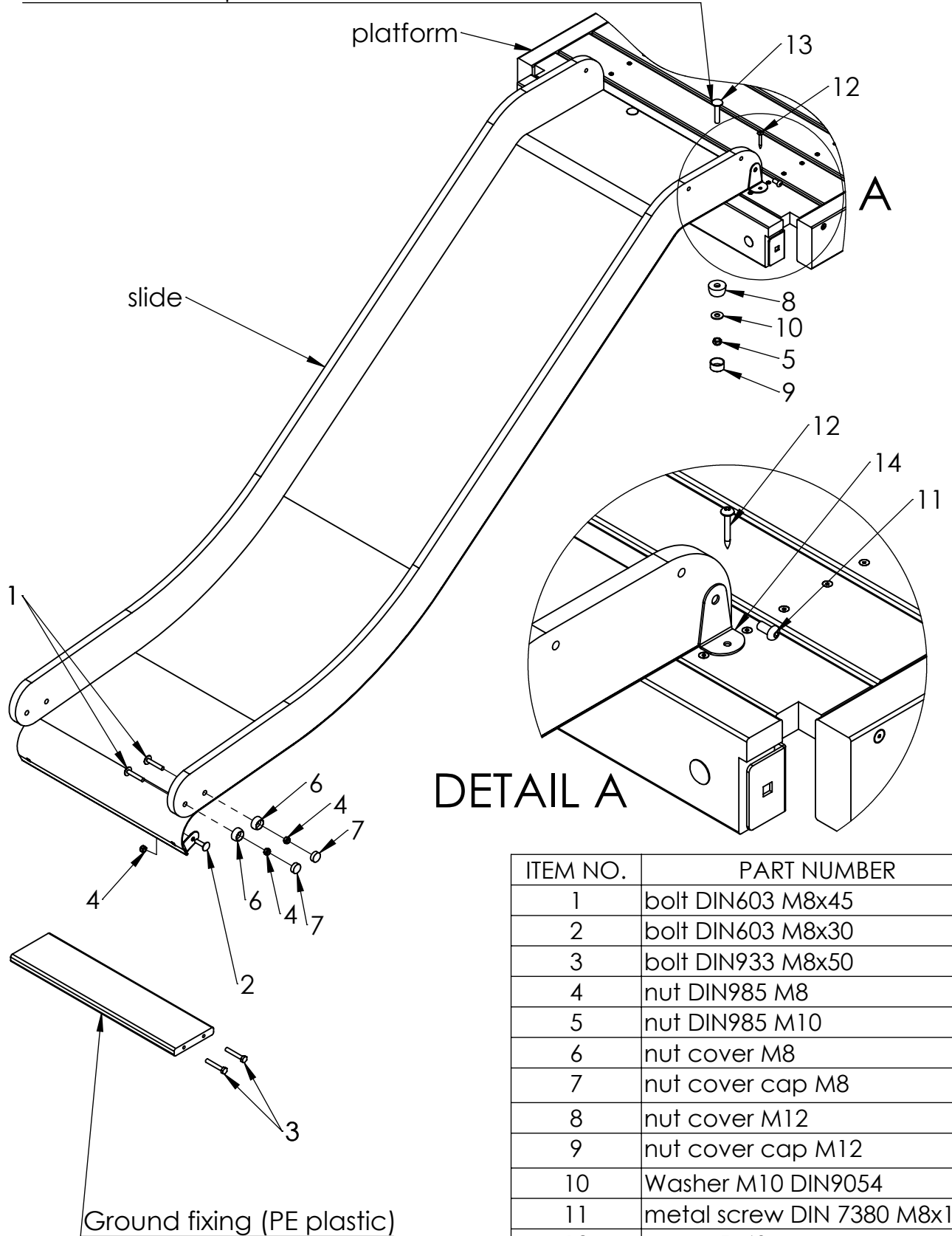
B

C

D

E

F



ITEM NO.	PART NUMBER
1	bolt DIN603 M8x45
2	bolt DIN603 M8x30
3	bolt DIN933 M8x50
4	nut DIN985 M8
5	nut DIN985 M10
6	nut cover M8
7	nut cover cap M8
8	nut cover M12
9	nut cover cap M12
10	Washer M10 DIN9054
11	metal screw DIN 7380 M8x16
12	screw 5x40
13	bolt DIN603 M10x50
14	corner 58x30

UNLESS OTHERWISE SPECIFIED:
DIMENSIONS ARE IN MILLIMETERS
WEIGHT ARE IN KILOGRAMM

PART NUMBER / DWG NO.:

LM218

	NAME	SIGNATURE	DATE	REVISION
DRAWN	I.Agar		17.03.2025	
APPV'D				

DESCRIPTION:

Play centre Ingrid
connecting slide to platform

MATERIAL:

wood, metal, plastic

A4

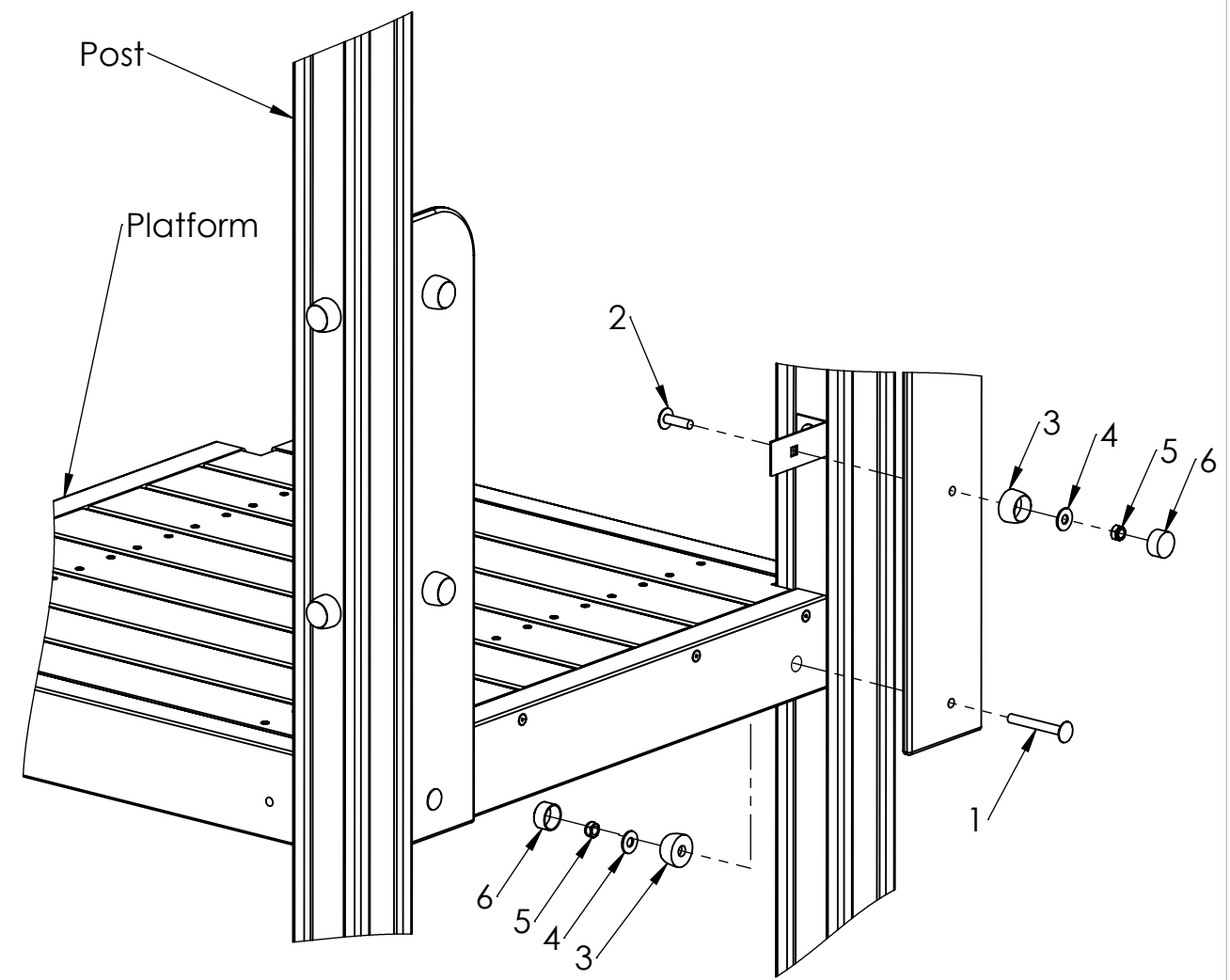
WEIGHT:

SCALE: 1:12

SHEET 15 OF 25



Tiptap OÜ



ITEM NO.	PART NUMBER
1	bolt DIN603 M10x80
2	bolt DIN603 M10x35
3	nut cover M12
4	Washer M10 DIN9054
5	nut DIN985 M10
6	nut cover cap M12
13	nut cover cap M6
14	nut cover M6

UNLESS OTHERWISE SPECIFIED:
DIMENSIONS ARE IN MILLIMETERS
WEIGHT ARE IN KILOGRAMM

PART NUMBER / DWG NO.:

LM218

	NAME	SIGNATURE	DATE	REVISION
DRAWN	I.Agar		17.03.2025	
APPV'D				

DESCRIPTION:

Play centre Ingrid
Connecting climbing pole side panel to post

MATERIAL:

wood, metal, plastic

A4

WEIGHT:

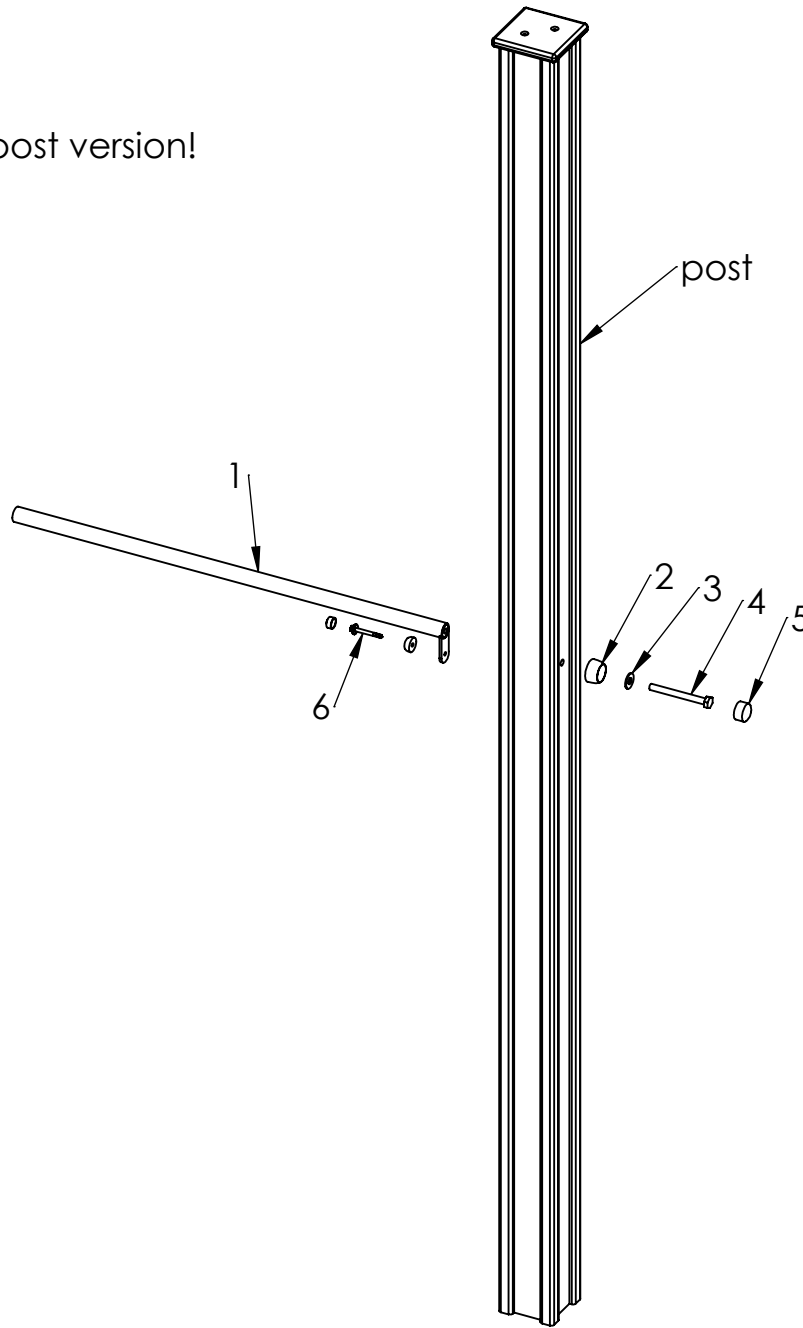
SCALE: 1:8

SHEET 16 OF 25



Tiptiptap OÜ

Aluminium post version!



ITEM NO.	PART NUMBER
1	guardrail ϕ 25x770
2	nut cover M12
3	Washer M10 DIN9054
4	bolt DIN931 M10x100
5	nut cover cap M12
6	screw DIN7504K 5,5x50
7	nut cover cap M6
8	nut cover M6

UNLESS OTHERWISE SPECIFIED:
DIMENSIONS ARE IN MILLIMETERS
WEIGHT ARE IN KILOGRAMM

PART NUMBER / DWG NO.:

LM218

	NAME	SIGNATURE	DATE	REVISION
DRAWN	I.Agar			
APPV'D				

DESCRIPTION:

Play centre Ingrid
connecting guardrail to post

MATERIAL:

wood, metal, plastic

A4

WEIGHT:

SCALE: 1:12

SHEET 17 OF 25



Tiptiptap⁰⁰

A

Wood post version!

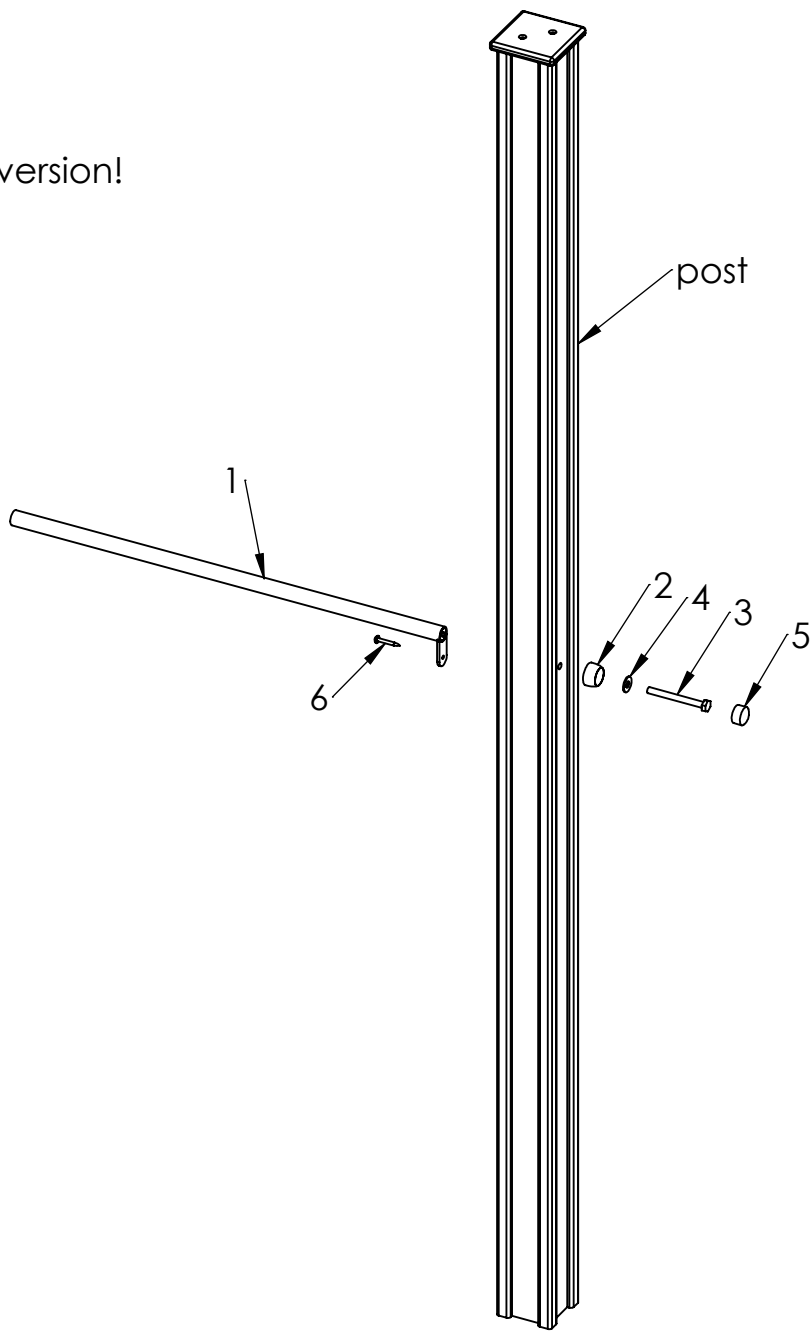
B

C

D

E

F



ITEM NO.	PART NUMBER
1	guardrail \varnothing 25x770
2	nut cover M12
3	bolt DIN931 M10x100
4	Washer M10 DIN9054
5	nut cover cap M12
6	screw 5x40

UNLESS OTHERWISE SPECIFIED: DIMENSIONS ARE IN MILLIMETERS WEIGHT ARE IN KILOGRAMM				
	NAME	SIGNATURE	DATE	REVISION
DRAWN	I.Agar			
APPV'D				

PART NUMBER / DWG NO.:
LM218

DESCRIPTION:
**Play centre Ingrid
connecting guardrail to post**

MATERIAL:
wood, metal, plastic



WEIGHT: SCALE: 1:12 SHEET 18 OF 25

A

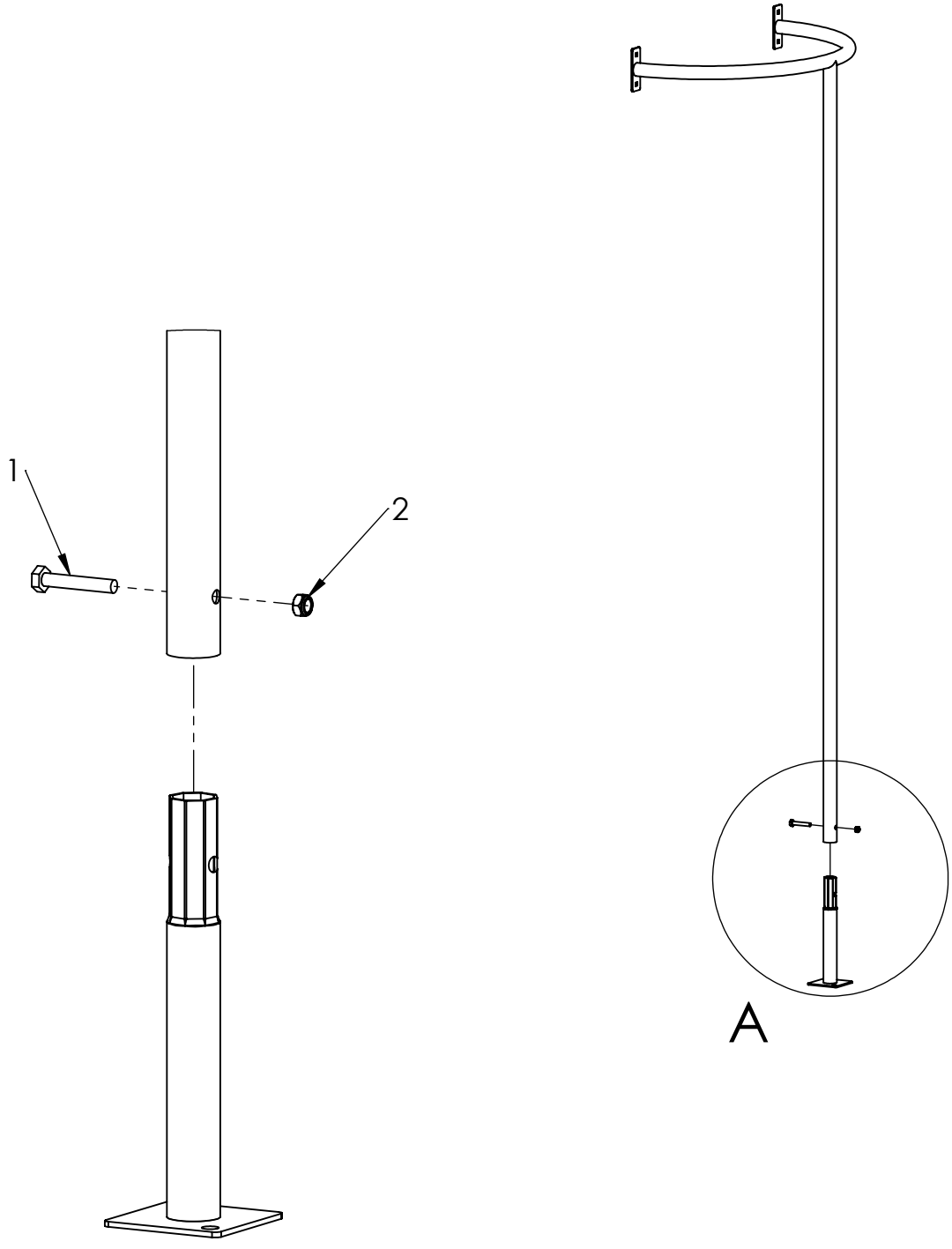
B

C

D

E

F



DETAIL A

ITEM NO.	PART NUMBER
1	bolt DIN931 M10x60
2	nut DIN985 M10

UNLESS OTHERWISE SPECIFIED: DIMENSIONS ARE IN MILLIMETERS WEIGHT ARE IN KILOGRAMM				
	NAME	SIGNATURE	DATE	REVISION
DRAWN	I.Agar		17.03.2025	
APPV'D				

PART NUMBER / DWG NO.:
LM218

DESCRIPTION:
**Play centre Ingrid
Assembling climbing pole**

MATERIAL:
wood, metal, plastic



WEIGHT: SCALE: 1:20 SHEET 19 OF 25

A4

A

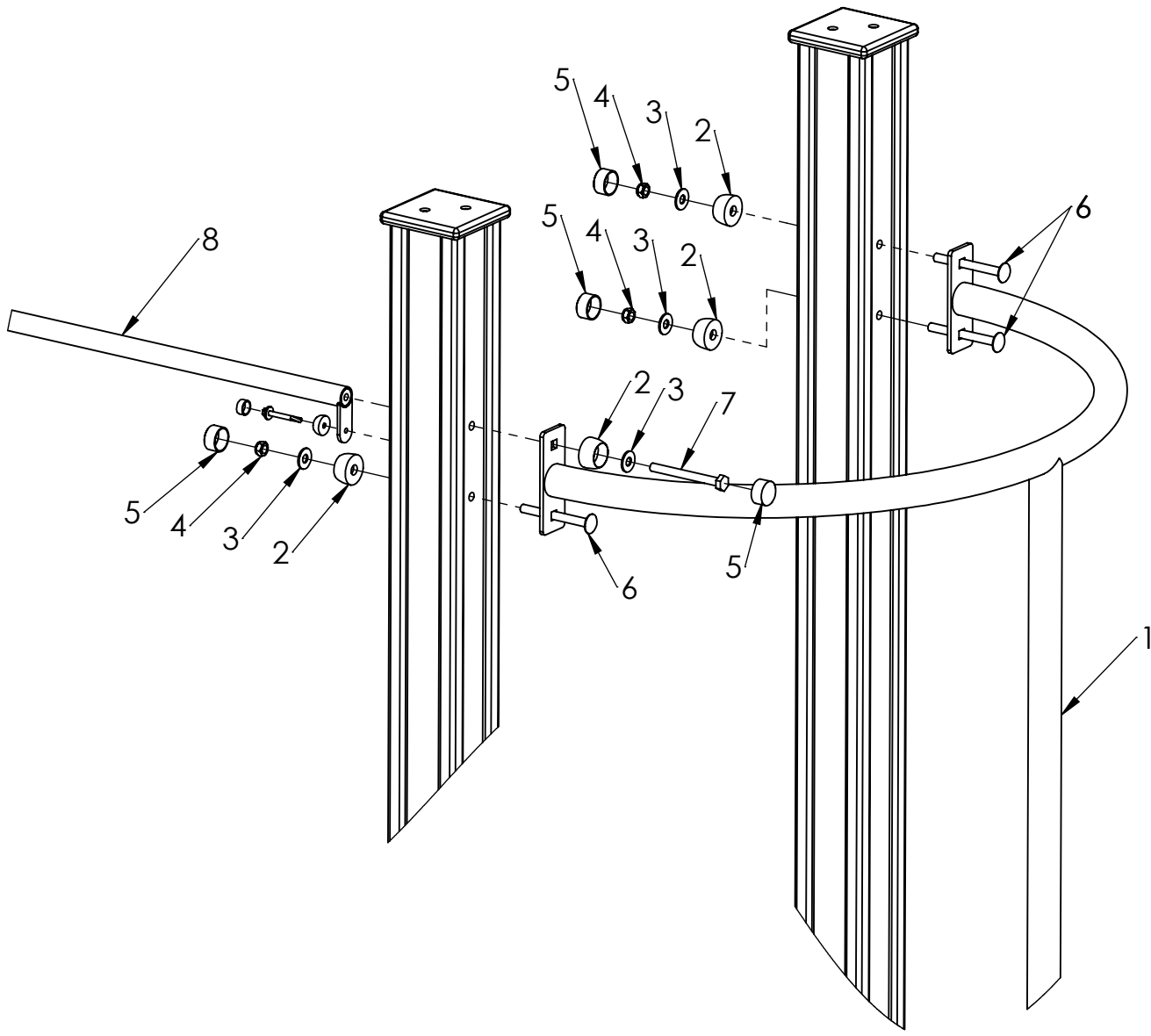
B

C

D

E

F



ITEM NO.	PART NUMBER
1	climbing pole
2	nut cover M12
3	Washer M10 DIN9054
4	nut DIN985 M10
5	nut cover cap M12
6	bolt DIN603 M10x100
7	bolt DIN931 M10x100
8	guardrail \varnothing 25x770

UNLESS OTHERWISE SPECIFIED: DIMENSIONS ARE IN MILLIMETERS WEIGHT ARE IN KILOGRAMM				
	NAME	SIGNATURE	DATE	REVISION
DRAWN	I.Agar		17.03.2025	
APPV'D				

PART NUMBER / DWG NO.:		LM218	
DESCRIPTION:			
Play centre Ingrid connecting climbing pole			
MATERIAL:		wood, metal, plastic	A4
WEIGHT:		SCALE: 1:8	SHEET 20 OF 25



A

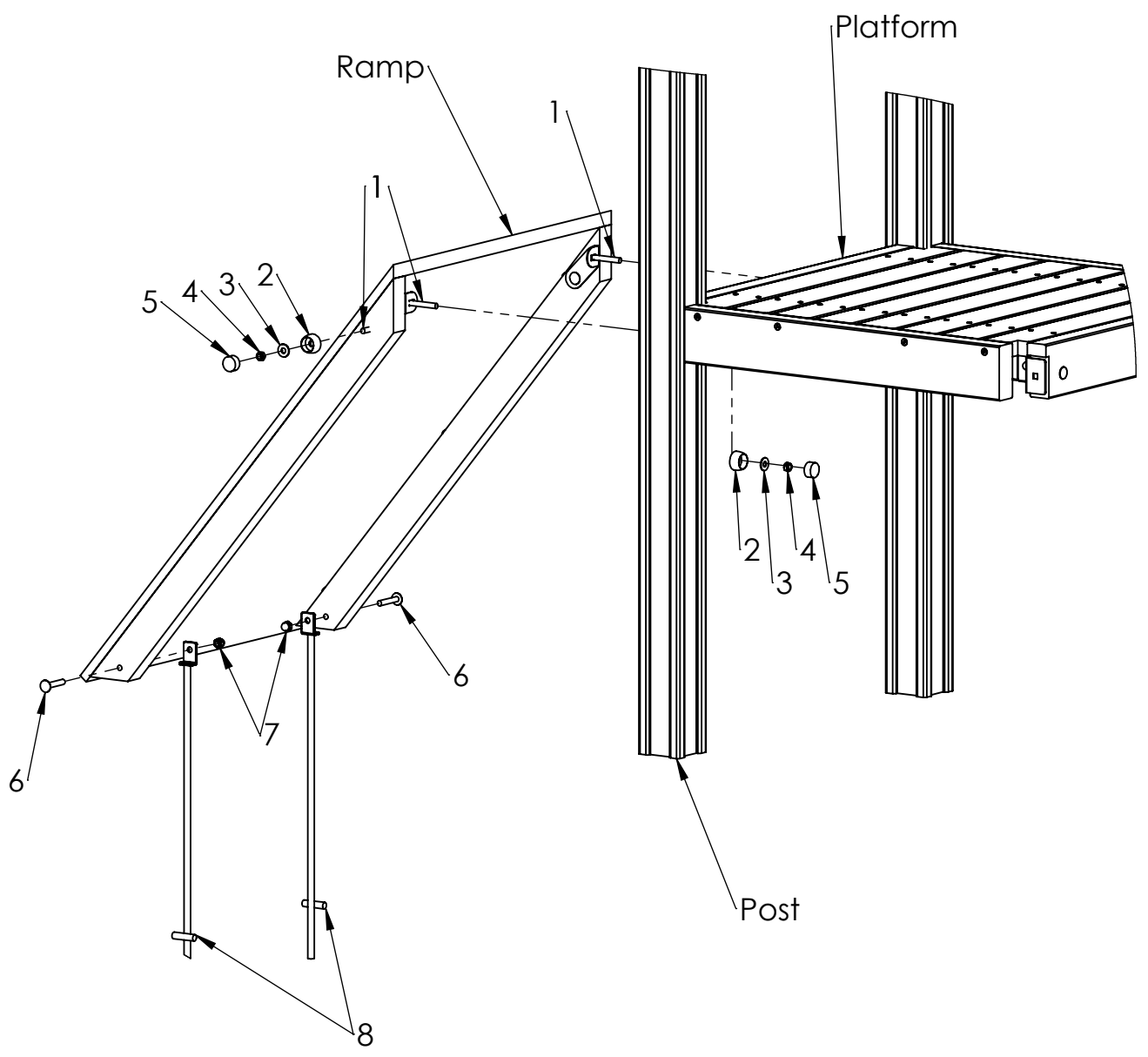
B

C

D

E

F



ITEM NO.	PART NUMBER
1	bolt DIN603 M10x65
2	nut cover M12
3	Washer M10 DIN9054
4	nut DIN985 M10
5	nut cover cap M12
6	bolt DIN603 M10x60
7	domed cap nut DIN986 M10
8	ground fixture L-shape

UNLESS OTHERWISE SPECIFIED: DIMENSIONS ARE IN MILLIMETERS WEIGHT ARE IN KILOGRAMM				
	NAME	SIGNATURE	DATE	REVISION
DRAWN	I.Agar		17.03.2025	
APPV'D				

PART NUMBER / DWG NO.:		LM218	
DESCRIPTION:			
Play centre Ingrid connecting ramp to platform			
MATERIAL:		wood, metal, plastic	A4
WEIGHT:		SCALE: 1:13	SHEET 21 OF 25



A

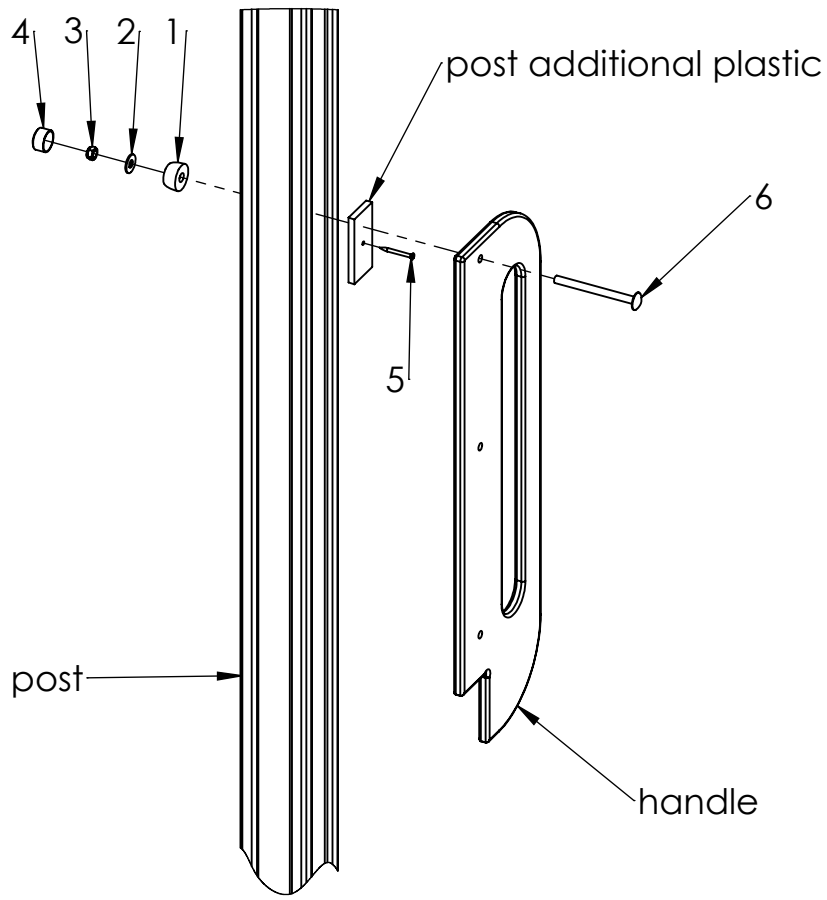
B

C

D

E

F



ITEM NO.	PART NUMBER
1	nut cover M12
2	Washer M10 DIN9054
3	nut DIN985 M10
4	nut cover cap M12
5	woodscrew 4,5 x 50
6	bolt DIN603 M10x120

UNLESS OTHERWISE SPECIFIED: DIMENSIONS ARE IN MILLIMETERS WEIGHT ARE IN KILOGRAMM				
	NAME	SIGNATURE	DATE	REVISION
DRAWN	I.Agar		17.03.2025	
APPV'D				

PART NUMBER / DWG NO.:	LM218
DESCRIPTION:	Play centre Ingrid



MATERIAL:	wood, metal, plastic	A4
WEIGHT:	SCALE: 1:10	SHEET 22 OF 25

A

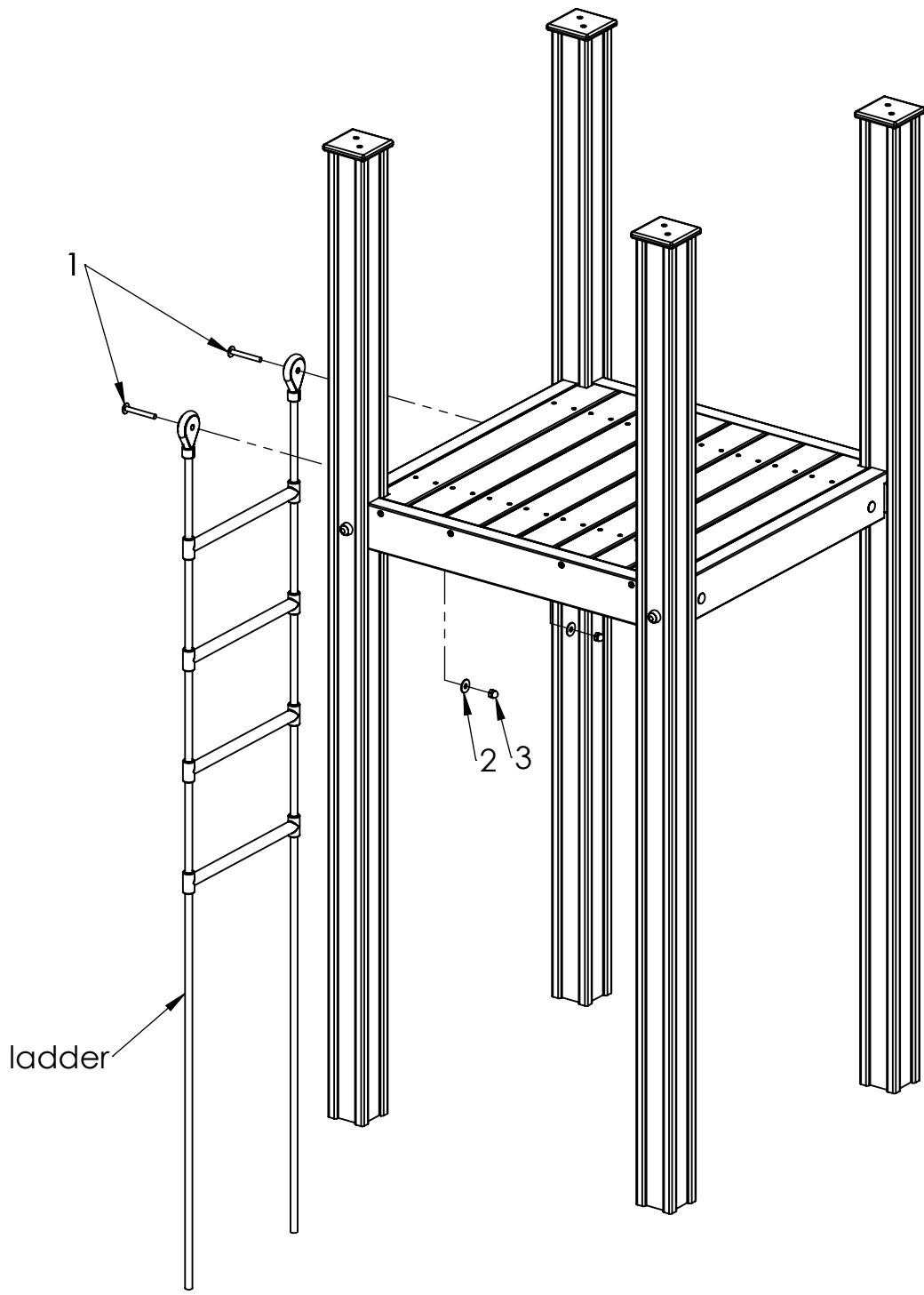
B

C

D

E

F



ITEM NO.	PART NUMBER
1	bolt DIN603 M10x80
2	washer M10 DIN9021
3	domed cap nut DIN1587 M10

UNLESS OTHERWISE SPECIFIED:
 DIMENSIONS ARE IN MILLIMETERS
 WEIGHT ARE IN KILOGRAMM

PART NUMBER / DWG NO.:	LM218
------------------------	-------

	NAME	SIGNATURE	DATE	REVISION
DRAWN	I.Agar		17.03.2025	
APPV'D				

DESCRIPTION:
 Play centre Ingrid
 connecting ladder to platform



MATERIAL:	wood, metal, plastic	A4
WEIGHT:		SCALE: 1:15
		SHEET 23 OF 25

A

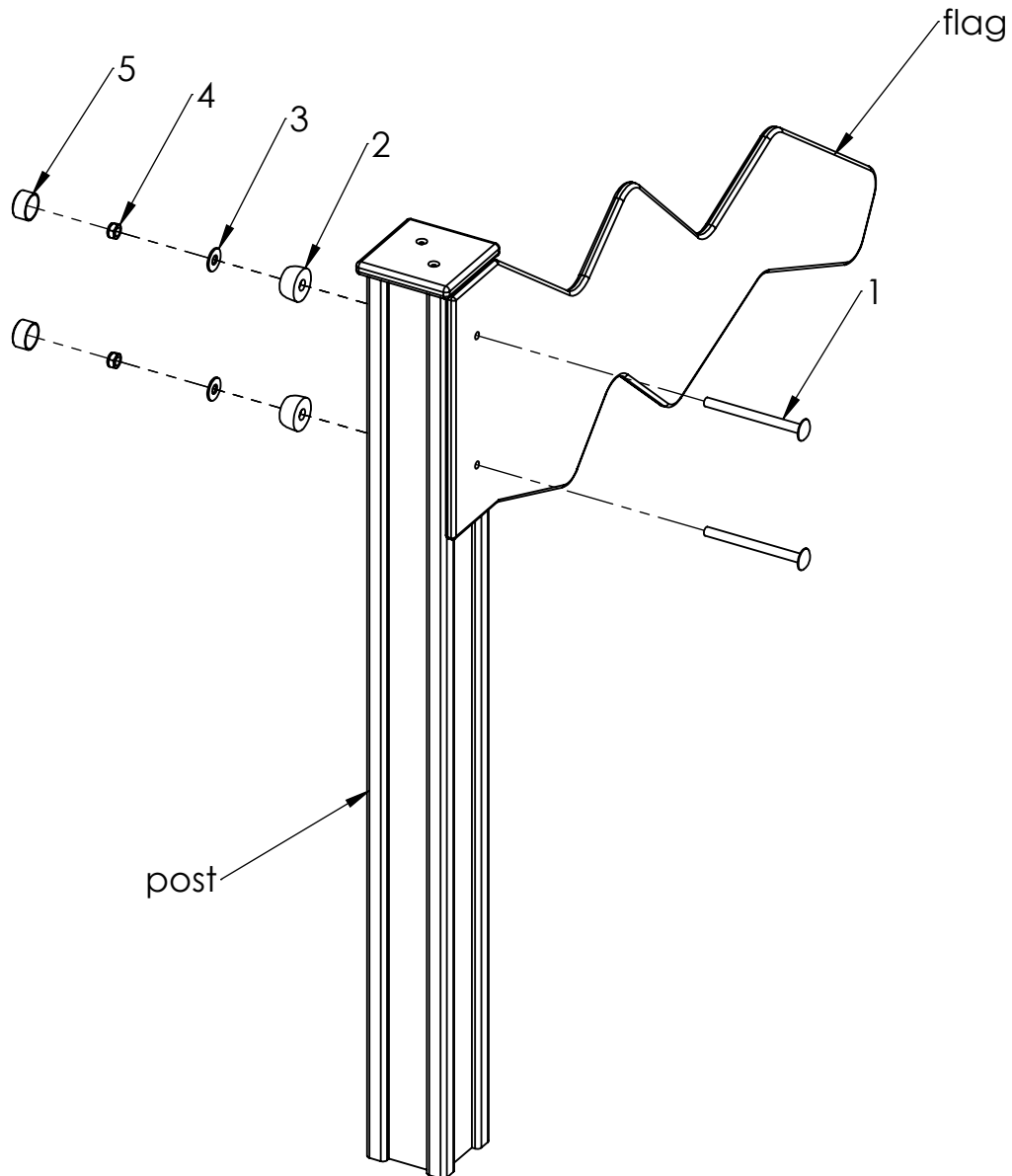
B

C

D

E

F



ITEM NO.	PART NUMBER
1	bolt DIN603 M10x120
2	nut cover M12
3	Washer M10 DIN9054
4	nut DIN985 M10
5	nut cover cap M12
6	post 98x98x1100
7	plastic cap 115x115
8	LM218 flag

UNLESS OTHERWISE SPECIFIED: DIMENSIONS ARE IN MILLIMETERS WEIGHT ARE IN KILOGRAMM				
	NAME	SIGNATURE	DATE	REVISION
DRAWN	I.Agar		17.03.2025	
APPV'D				

PART NUMBER / DWG NO.: **LM218**

DESCRIPTION:
**Play centre Ingrid
connecting flag to post**



MATERIAL:	wood, metal, plastic	A4
WEIGHT:	SCALE: 1:30	SHEET 24 OF 25

A

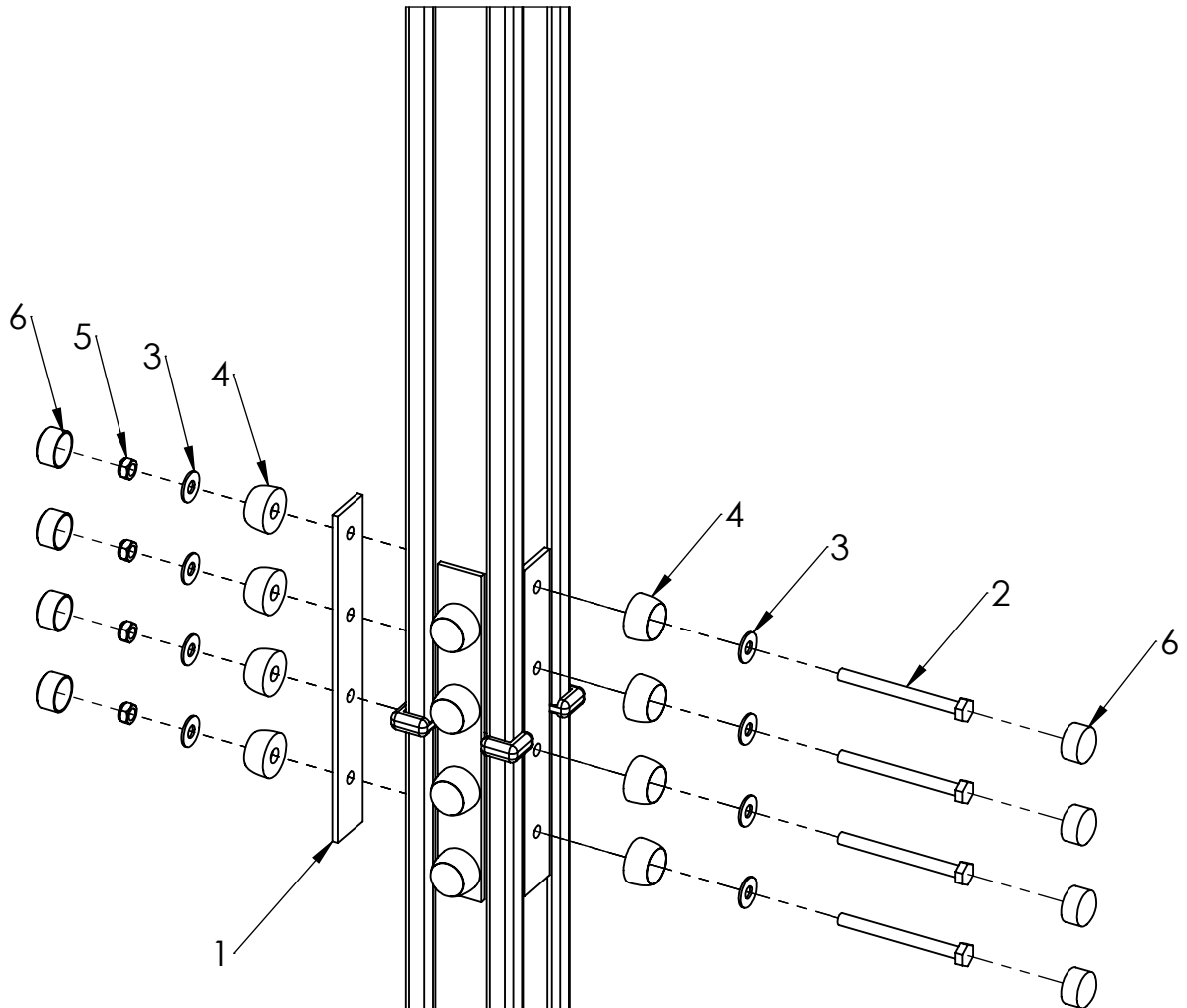
B

C

D

E

F



ITEM NO.	PART NUMBER
1	LM218 Aluminium post connector
2	bolt DIN931 M10x110
3	Washer M10 DIN9054
4	nut cover M12
5	nut DIN985 M10
6	nut cover cap M12

UNLESS OTHERWISE SPECIFIED: DIMENSIONS ARE IN MILLIMETERS WEIGHT ARE IN KILOGRAMM				
	NAME	SIGNATURE	DATE	REVISION
DRAWN	I.Agar		17.03.2025	
APPV'D				

PART NUMBER / DWG NO.: **LM218**

DESCRIPTION:



MATERIAL:	wood, metal, plastic	A4
WEIGHT:	SCALE: 1:30	SHEET 25 OF 25