

A

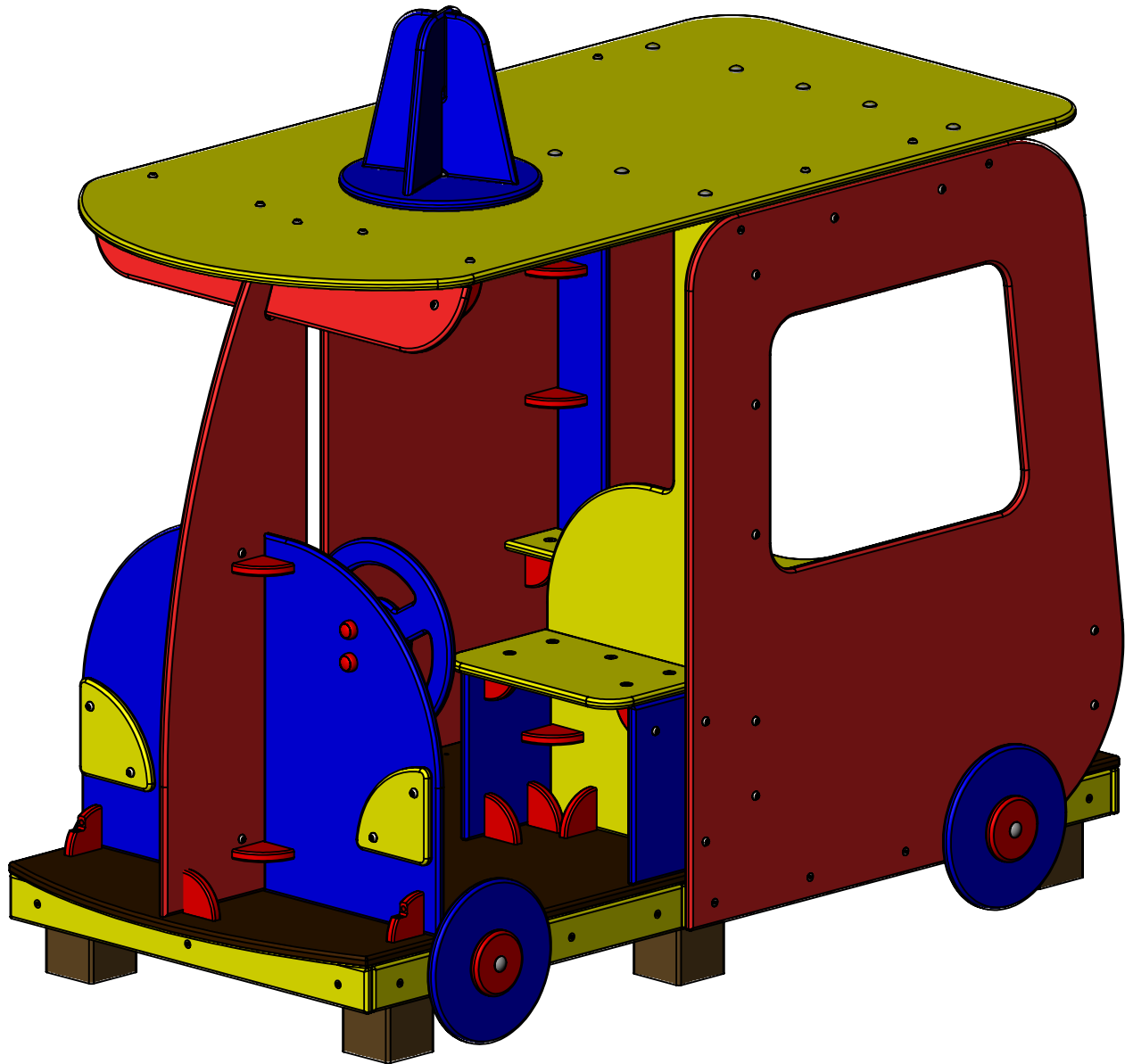
B

C

D

E

F



UNLESS OTHERWISE SPECIFIED:
DIMENSIONS ARE IN MILLIMETERS
WEIGHT ARE IN KILOGRAMM

PART NUMBER / DWG NO.:

MM110

	NAME	SIGNATURE	DATE	REVISION
DRAWN	I.Agar		11.11.2022	
APPV'D				

DESCRIPTION:

Playcar Ambulance

MATERIAL:

wood, metal, plastic

A4

WEIGHT:

SCALE: 1:10

SHEET 1 OF 29



Tiptiptap ⁰⁰

Safety area

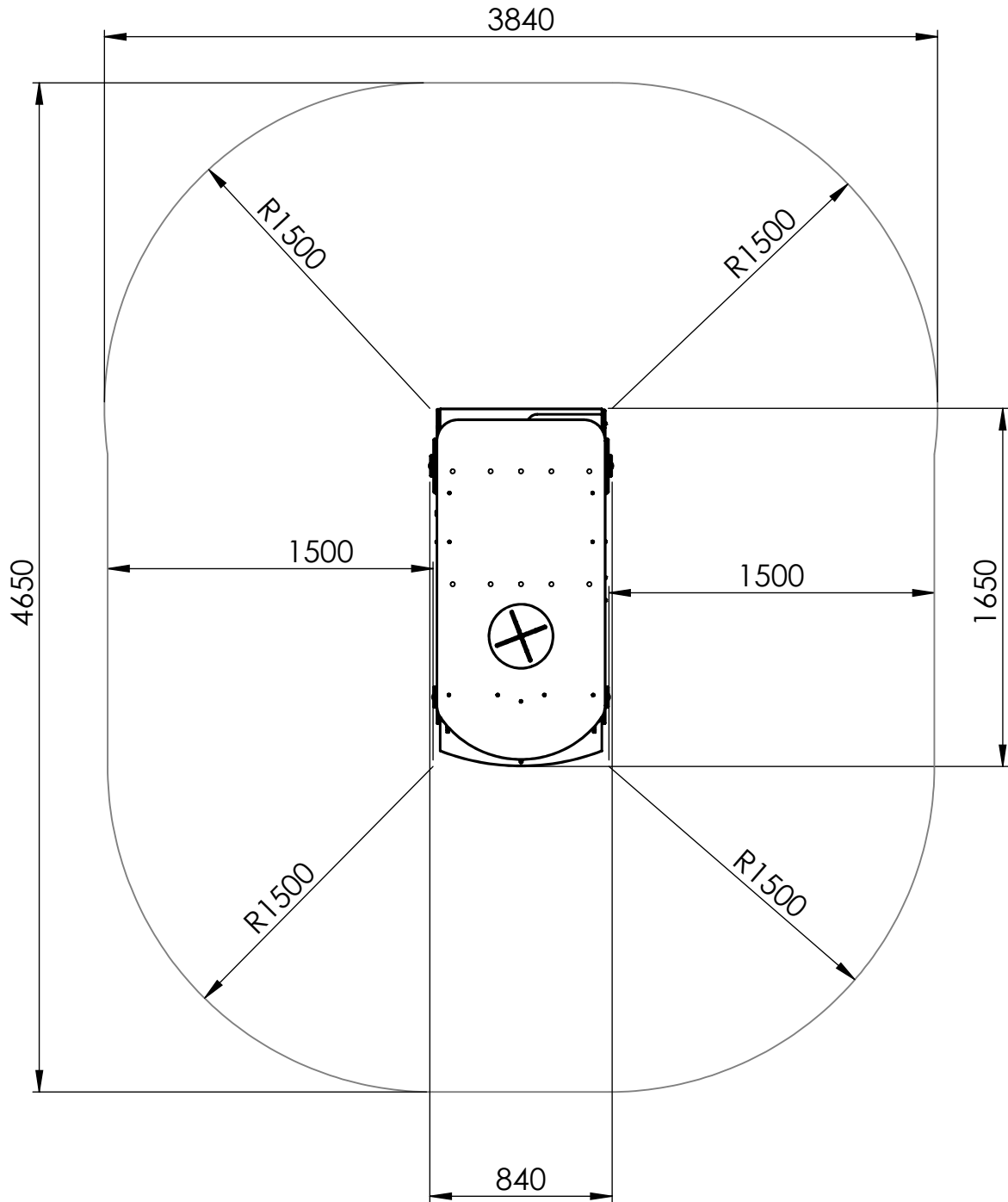
A

B

C

D

E



UNLESS OTHERWISE SPECIFIED: DIMENSIONS ARE IN MILLIMETERS WEIGHT ARE IN KILOGRAMM				
	NAME	SIGNATURE	DATE	REVISION
DRAWN	I.Agar		11.11.2022	
APPV'D				

PART NUMBER / DWG NO.:
MM110

DESCRIPTION:
Playcar Ambulance



MATERIAL:	wood, metal, plastic	A4
WEIGHT:		SCALE: 1:30
		SHEET 2 OF 29

Foundation

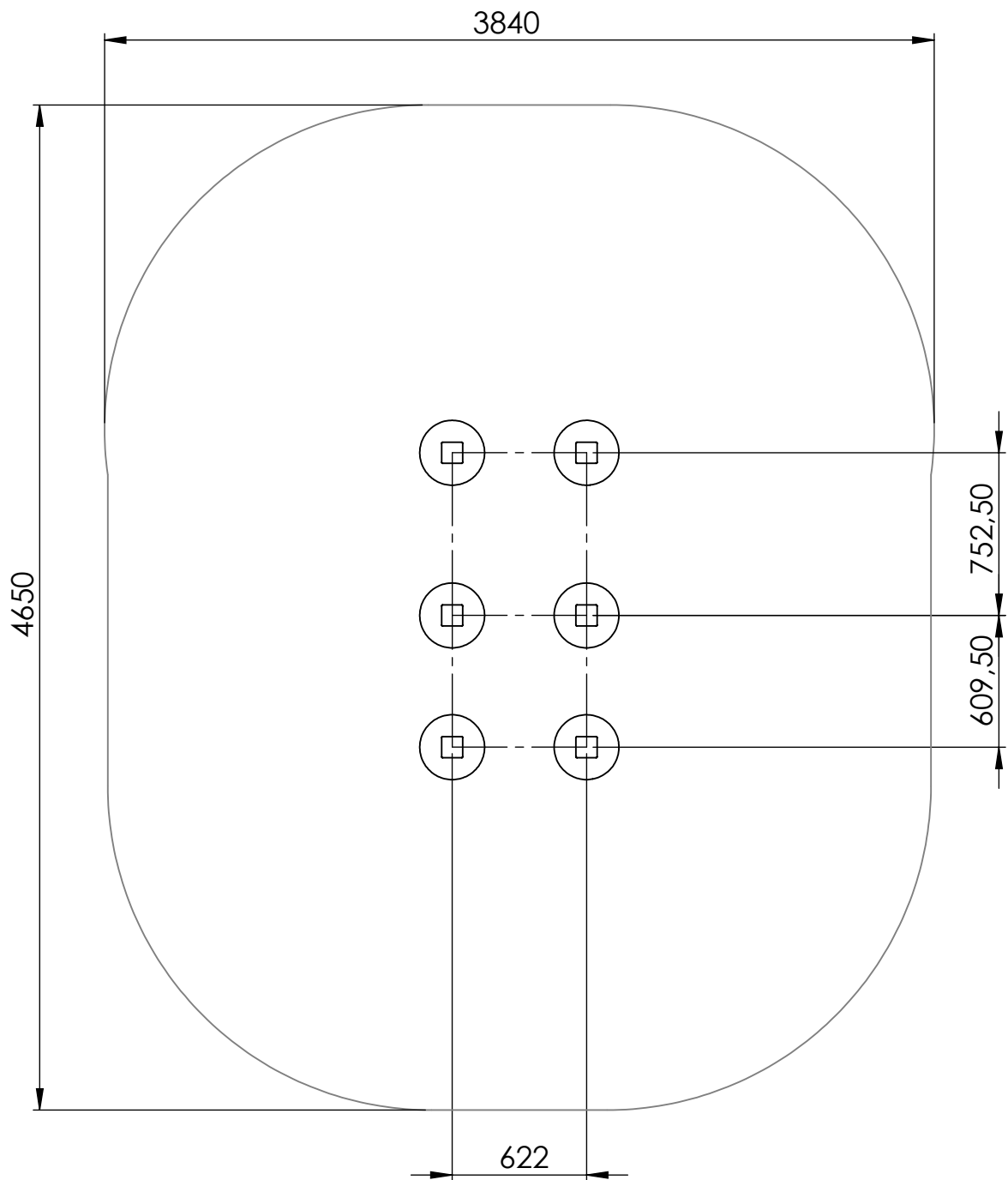
A

B

C

D

E



Depth of foundation: 600mm

UNLESS OTHERWISE SPECIFIED:
DIMENSIONS ARE IN MILLIMETERS
WEIGHT ARE IN KILOGRAMM

PART NUMBER / DWG NO.:

MM110

	NAME	SIGNATURE	DATE	REVISION
DRAWN	I.Agar		11.11.2022	
APPV'D				

DESCRIPTION:

Playcar Ambulance

F



Tiptiptap⁰⁰

MATERIAL:

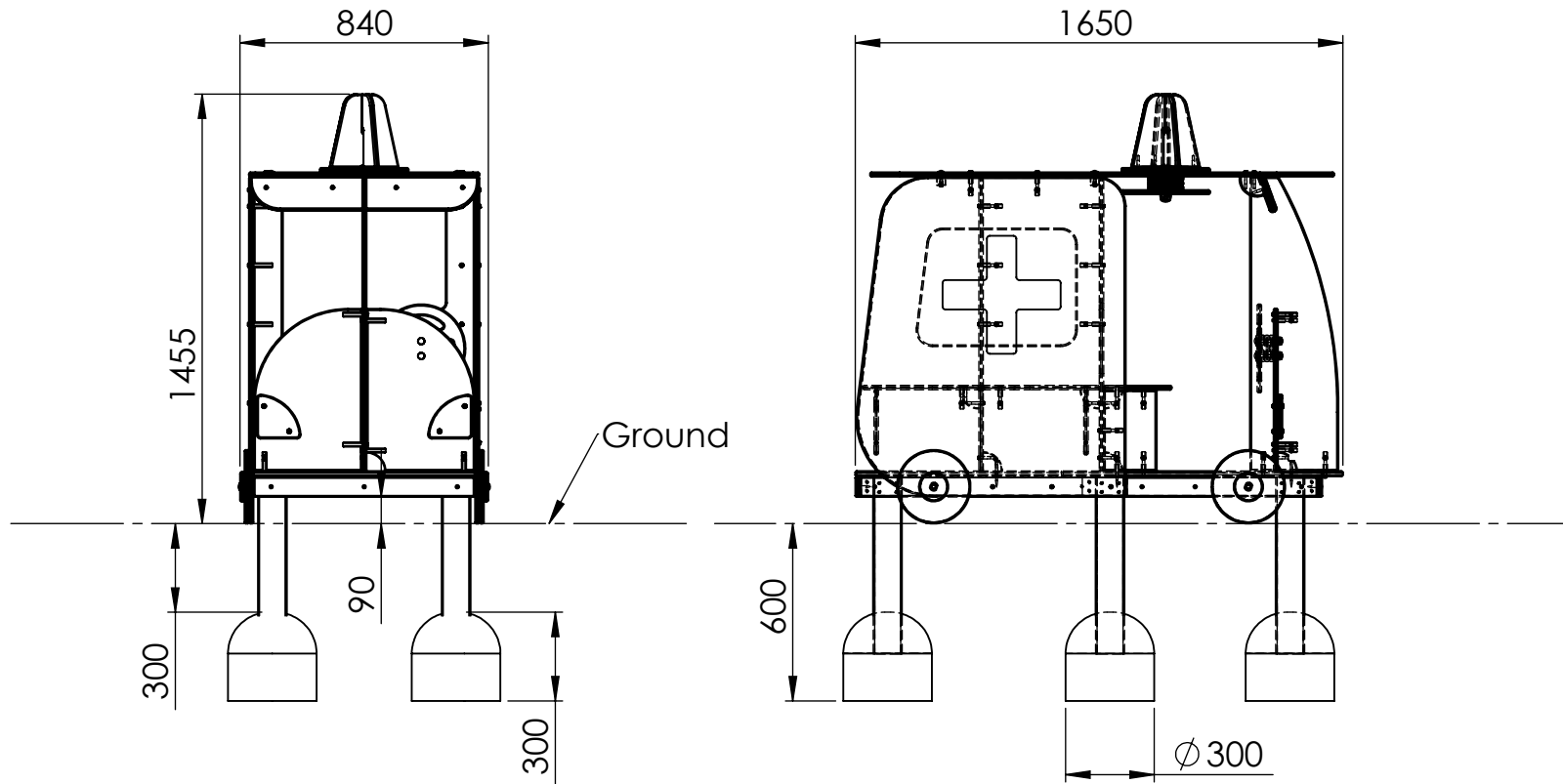
wood, metal, plastic

A4

WEIGHT:

SCALE: 1:30

SHEET 3 OF 29



UNLESS OTHERWISE SPECIFIED:
 DIMENSIONS ARE IN MILLIMETERS
 WEIGHT ARE IN KILOGRAMM

PART NUMBER / DWG NO.:
MM110

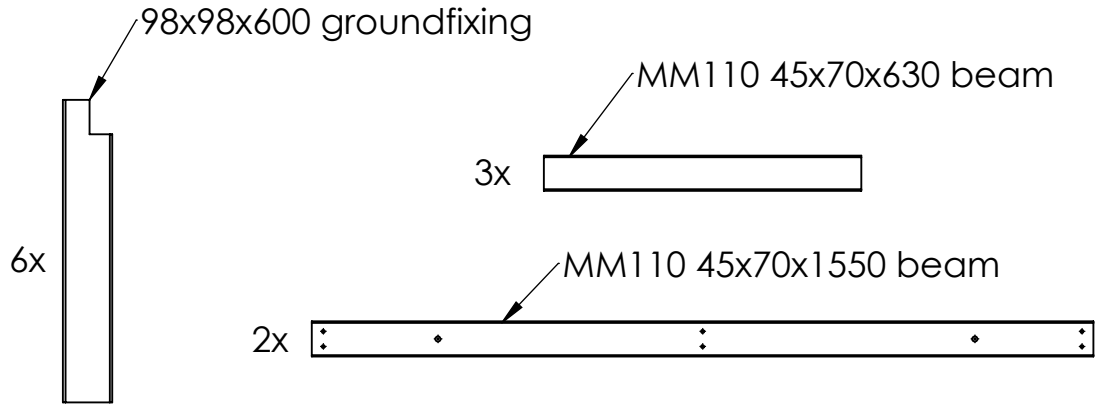
	NAME	SIGNATURE	DATE	REVISION
DRAWN	I.Agar		11.11.2022	
APPV'D				

DESCRIPTION:
Playcar Ambulance



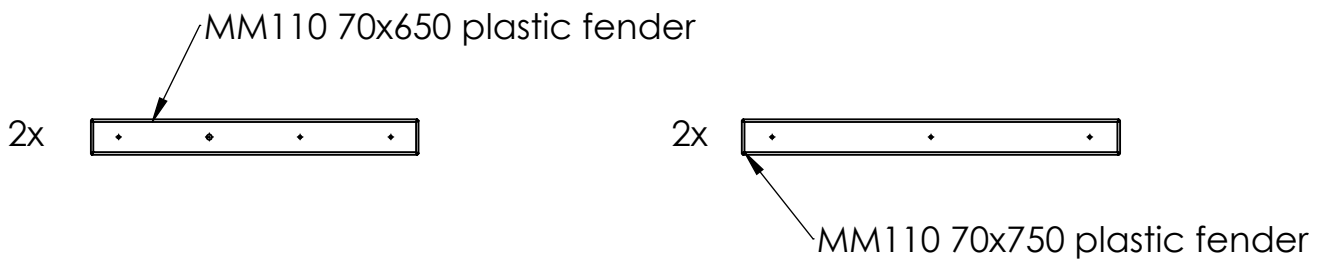
MATERIAL:	wood, metal, plastic	A4
WEIGHT:		SCALE: 1:25
		SHEET 4 OF 29

A

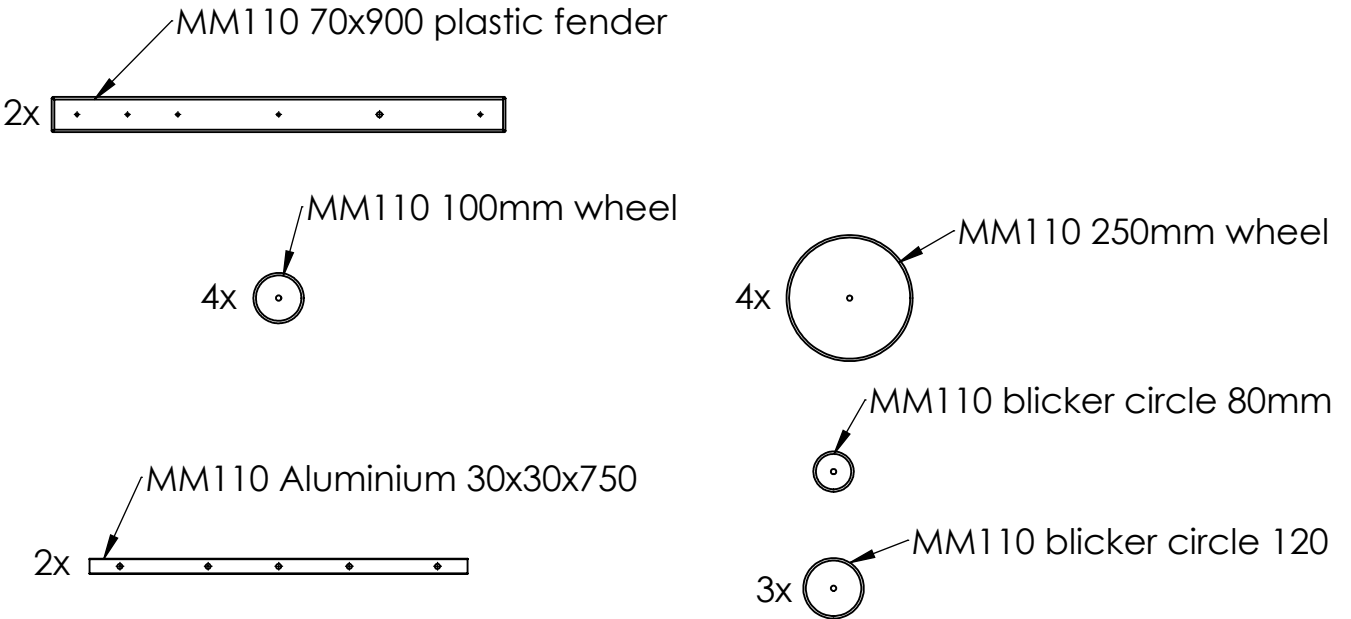


B

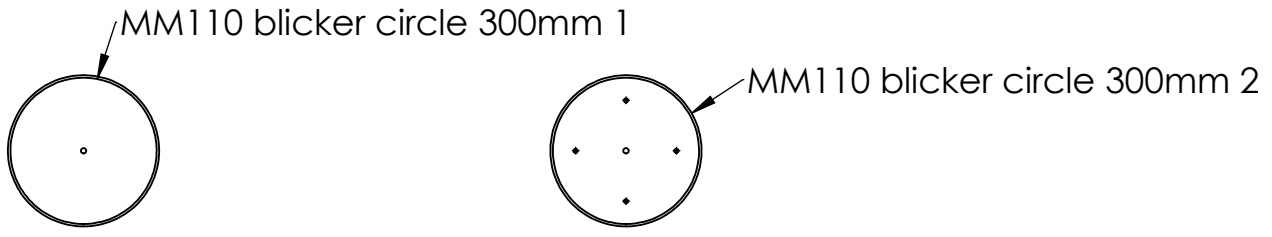
C



D



E



F

UNLESS OTHERWISE SPECIFIED:
DIMENSIONS ARE IN MILLIMETERS
WEIGHT ARE IN KILOGRAMM

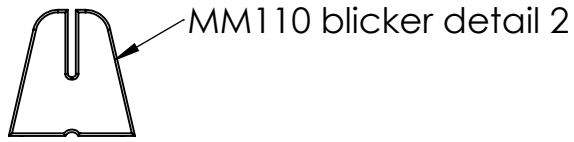
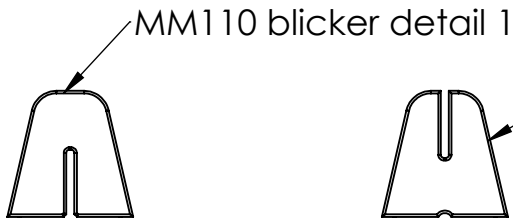
	NAME	SIGNATURE	DATE	REVISION
DRAWN	I.Agar		11.11.2022	
APPV'D				

PART NUMBER / DWG NO.:	MM110		
DESCRIPTION:	Playcar Ambulance		

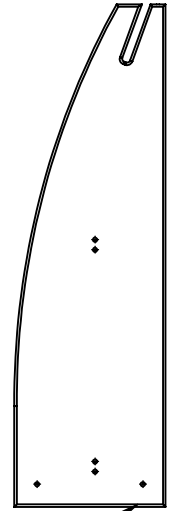
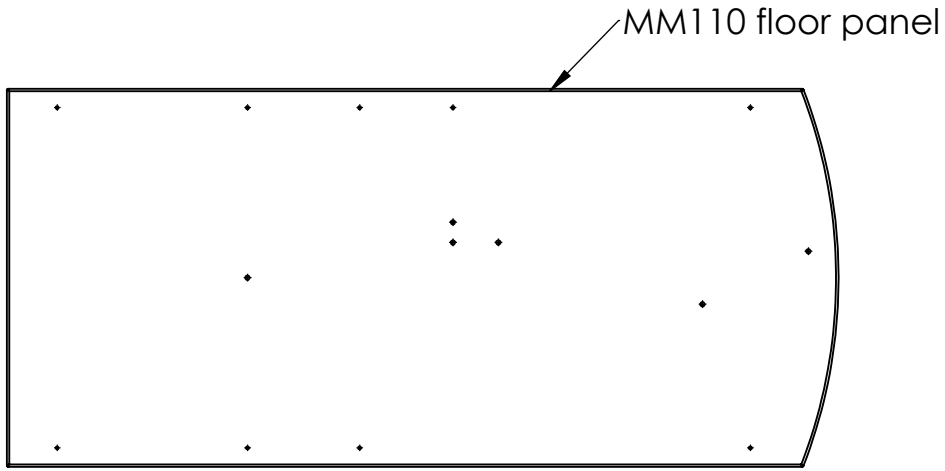


MATERIAL:	wood, metal, plastic	A4
WEIGHT:	SCALE: 1:15	SHEET 5 OF 29

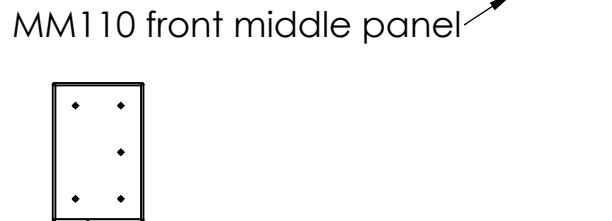
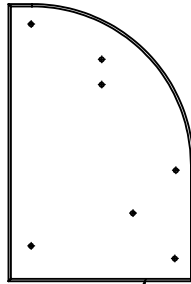
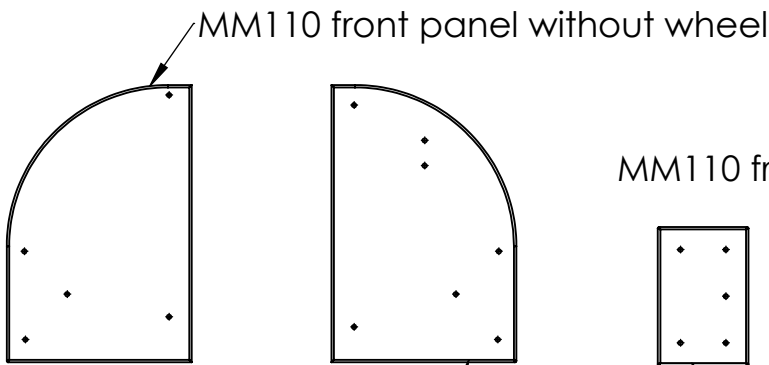
A



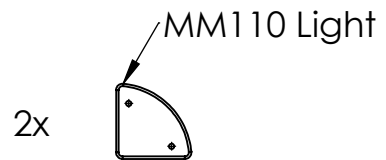
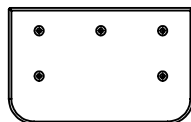
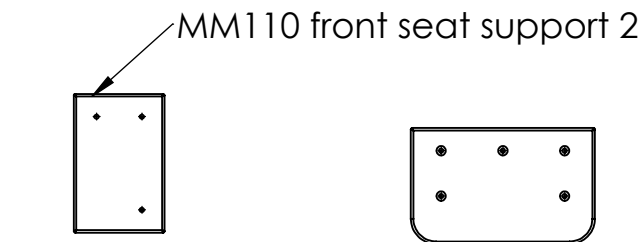
B



C



D



E

F

UNLESS OTHERWISE SPECIFIED:
DIMENSIONS ARE IN MILLIMETERS
WEIGHT ARE IN KILOGRAMM

PART NUMBER / DWG NO.:

MM110

	NAME	SIGNATURE	DATE	REVISION
DRAWN	I.Agar		11.11.2022	
APPV'D				

DESCRIPTION:

Playcar Ambulance

MATERIAL:

wood, metal, plastic

A4

WEIGHT:

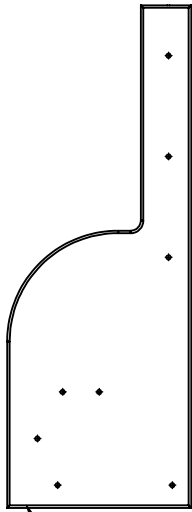
SCALE: 1:15

SHEET 6 OF 29

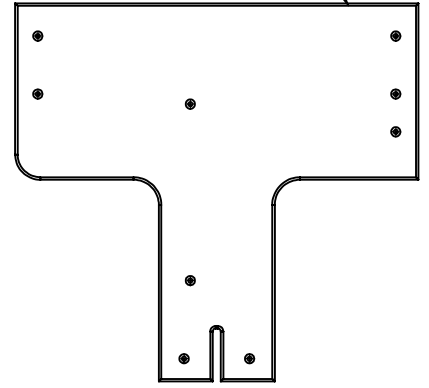


Tiptiptap⁰⁰

MM110 rear seat panel

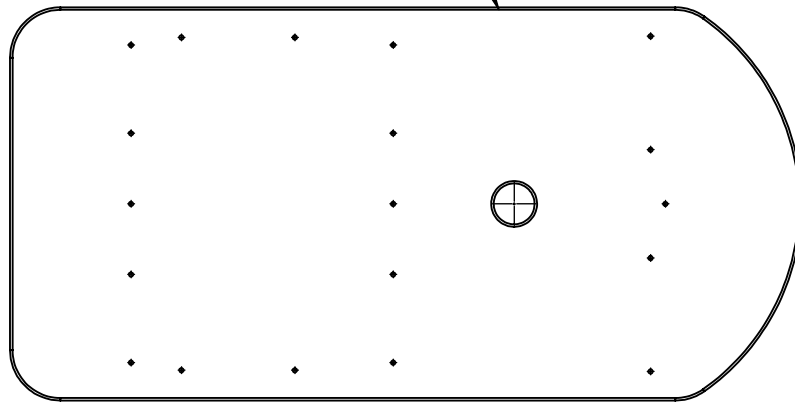


MM110 rear seat

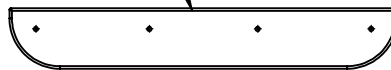


MM110 middle panel

MM110 roof panel



MM110 visor panel



Car wheel



UNLESS OTHERWISE SPECIFIED:
DIMENSIONS ARE IN MILLIMETERS
WEIGHT ARE IN KILOGRAMM

PART NUMBER / DWG NO.:

MM110

	NAME	SIGNATURE	DATE	REVISION
DRAWN	I.Agar		11.11.2022	
APPV'D				

DESCRIPTION:

Playcar Ambulance

MATERIAL:

wood, metal, plastic

A4

WEIGHT:

SCALE: 1:15

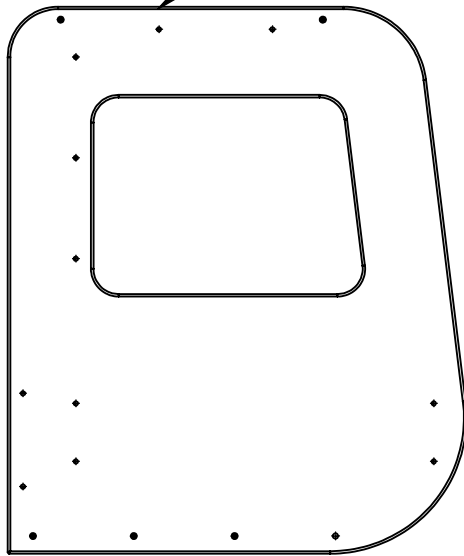
SHEET 7 OF 29



Tiptiptap ⁰⁰

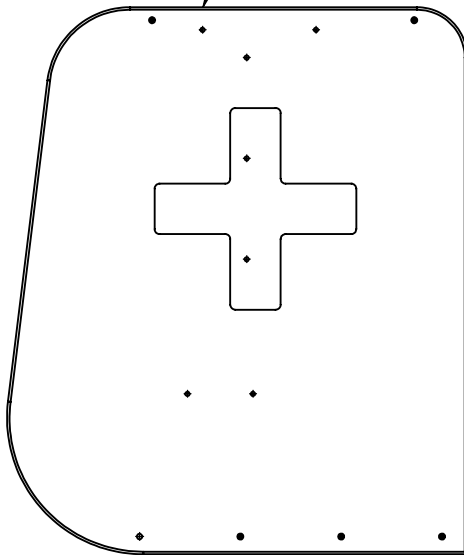
A

MM110 side with window



B

MM110 side without window



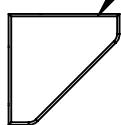
C

D

31x Plastic corner 90° 65x65mm



2x Plastic corner 90° 220x220mm



5x Plastic corner 90° 65x65mm with cut



4x Plastic corner 110° 65x65



E

F

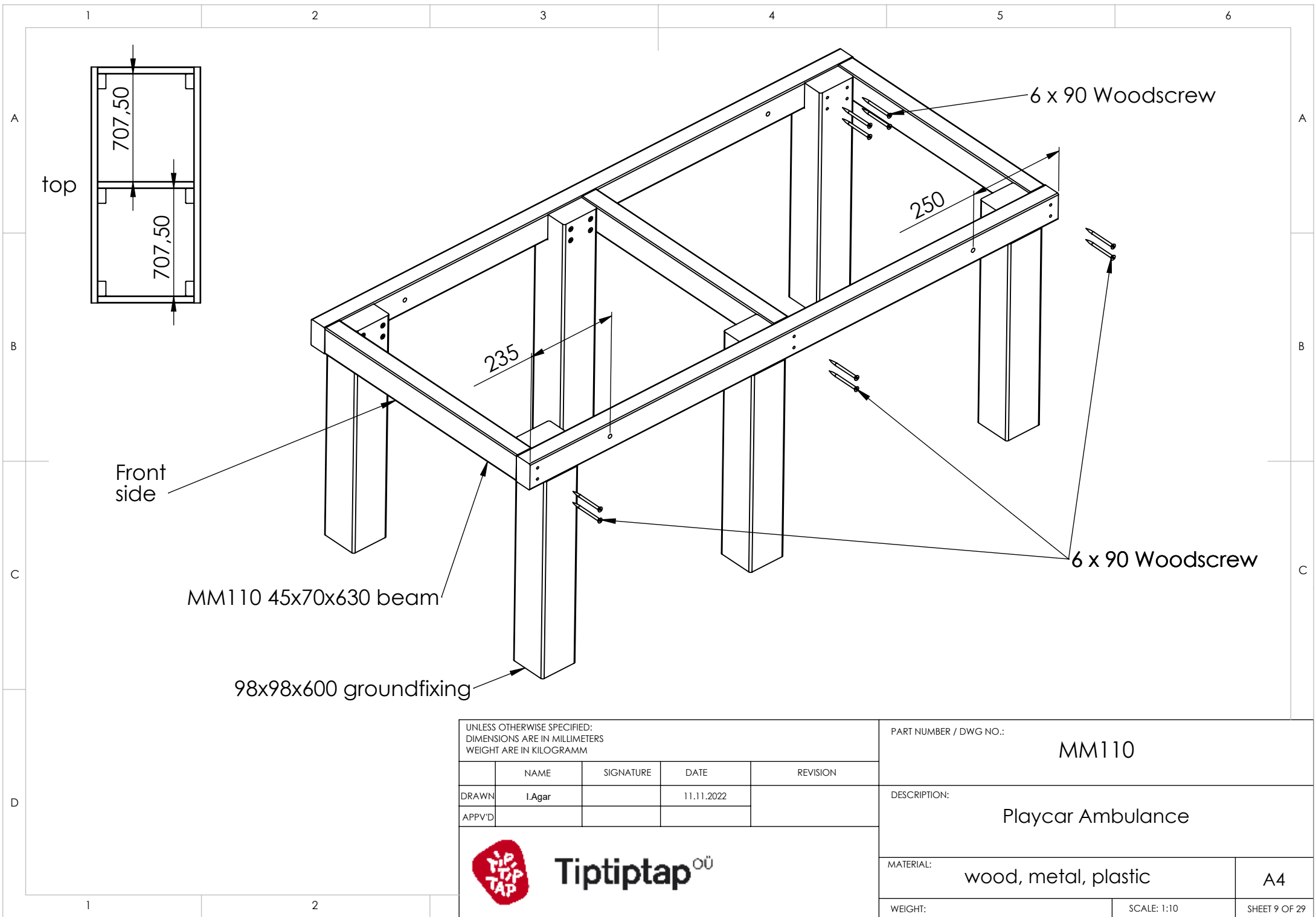
UNLESS OTHERWISE SPECIFIED: DIMENSIONS ARE IN MILLIMETERS WEIGHT ARE IN KILOGRAMM				
	NAME	SIGNATURE	DATE	REVISION
DRAWN	I.Agar		11.11.2022	
APPV'D				

PART NUMBER / DWG NO.:	MM110		
DESCRIPTION:	Playcar Ambulance		



Tiptiptap⁰⁰

MATERIAL:	wood, metal, plastic	A4
WEIGHT:	SCALE: 1:15	SHEET 8 OF 29



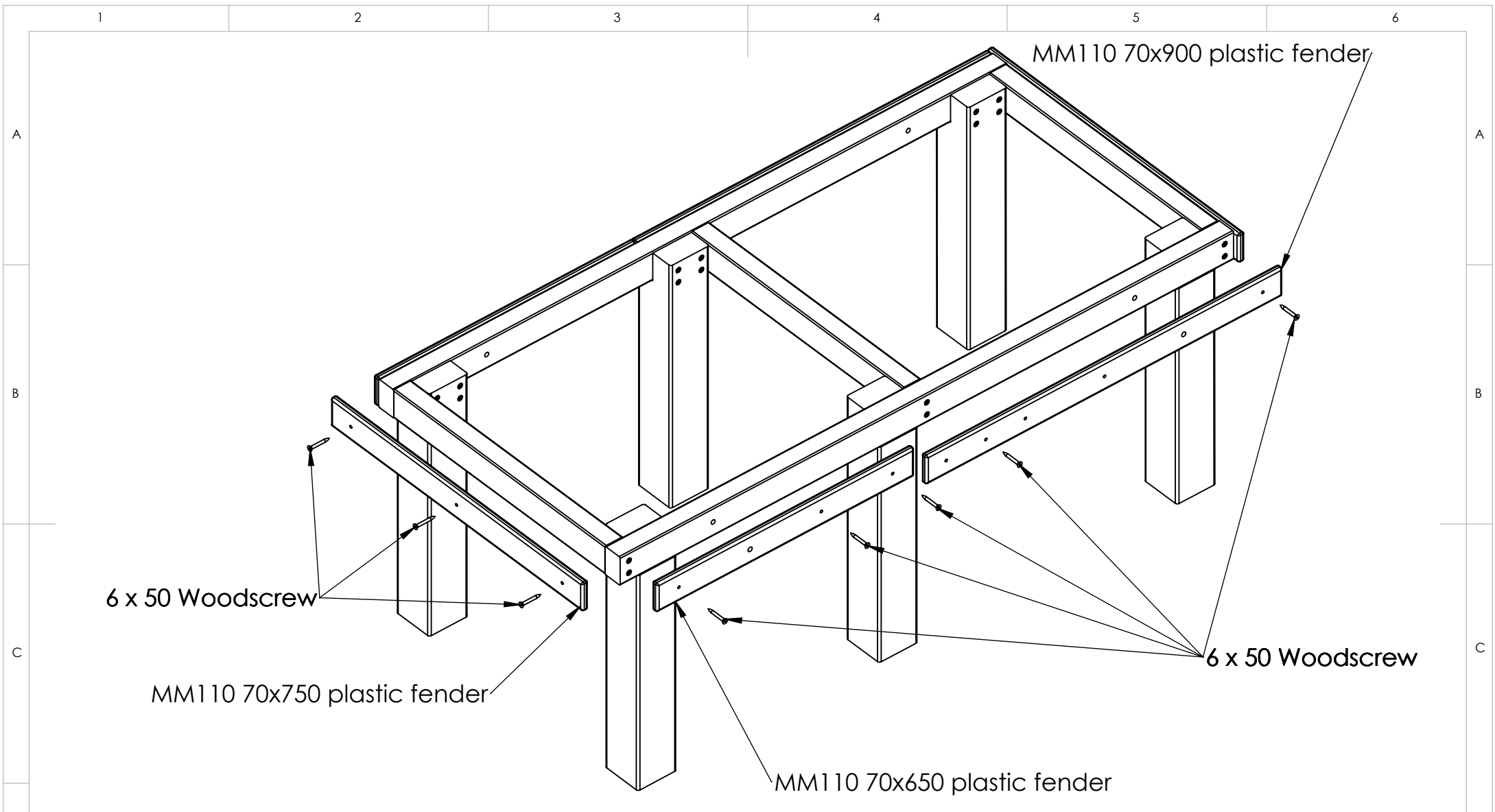
UNLESS OTHERWISE SPECIFIED:
 DIMENSIONS ARE IN MILLIMETERS
 WEIGHT ARE IN KILOGRAMM


	NAME	SIGNATURE	DATE	REVISION
DRAWN	I.Agar		11.11.2022	
APPV'D				



PART NUMBER / DWG NO.: MM110	
DESCRIPTION: Playcar Ambulance	
MATERIAL:	wood, metal, plastic
WEIGHT:	SCALE: 1:10
SHEET 9 OF 29	

A4



UNLESS OTHERWISE SPECIFIED: DIMENSIONS ARE IN MILLIMETERS WEIGHT ARE IN KILOGRAMM					PART NUMBER / DWG NO.: MM110	
	NAME	SIGNATURE	DATE	REVISION	DESCRIPTION: Playcar Ambulance	
DRAWN	I.Agar		11.11.2022		MATERIAL: wood, metal, plastic	
APPV'D					A4	
 Tiptiptap OÜ					WEIGHT:	
					SCALE: 1:10	
					SHEET 10 OF 29	

1 2 3 4 5 6

A

A

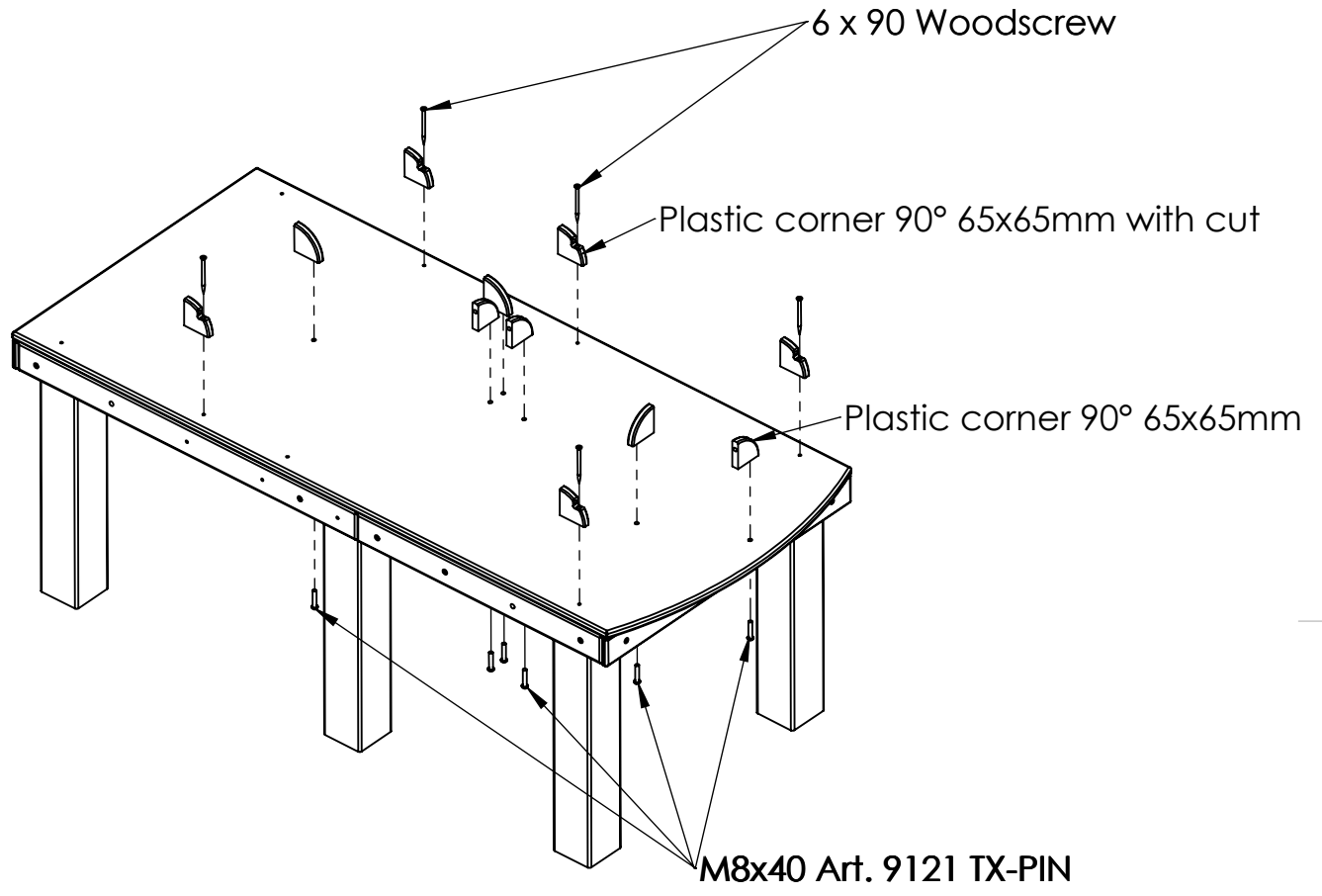
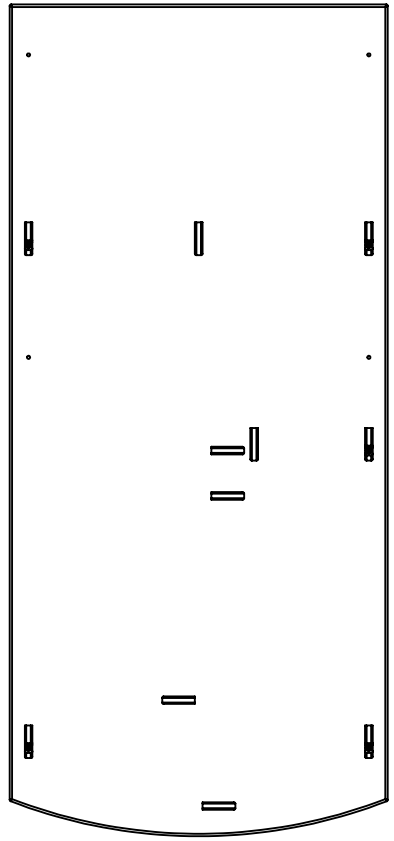
B

B

C

C

D



UNLESS OTHERWISE SPECIFIED:
DIMENSIONS ARE IN MILLIMETERS
WEIGHT ARE IN KILOGRAMM

PART NUMBER / DWG NO.:
MM110

	NAME	SIGNATURE	DATE	REVISION
DRAWN	I.Agar		11.11.2022	
APPV'D				

DESCRIPTION:
Playcar Ambulance

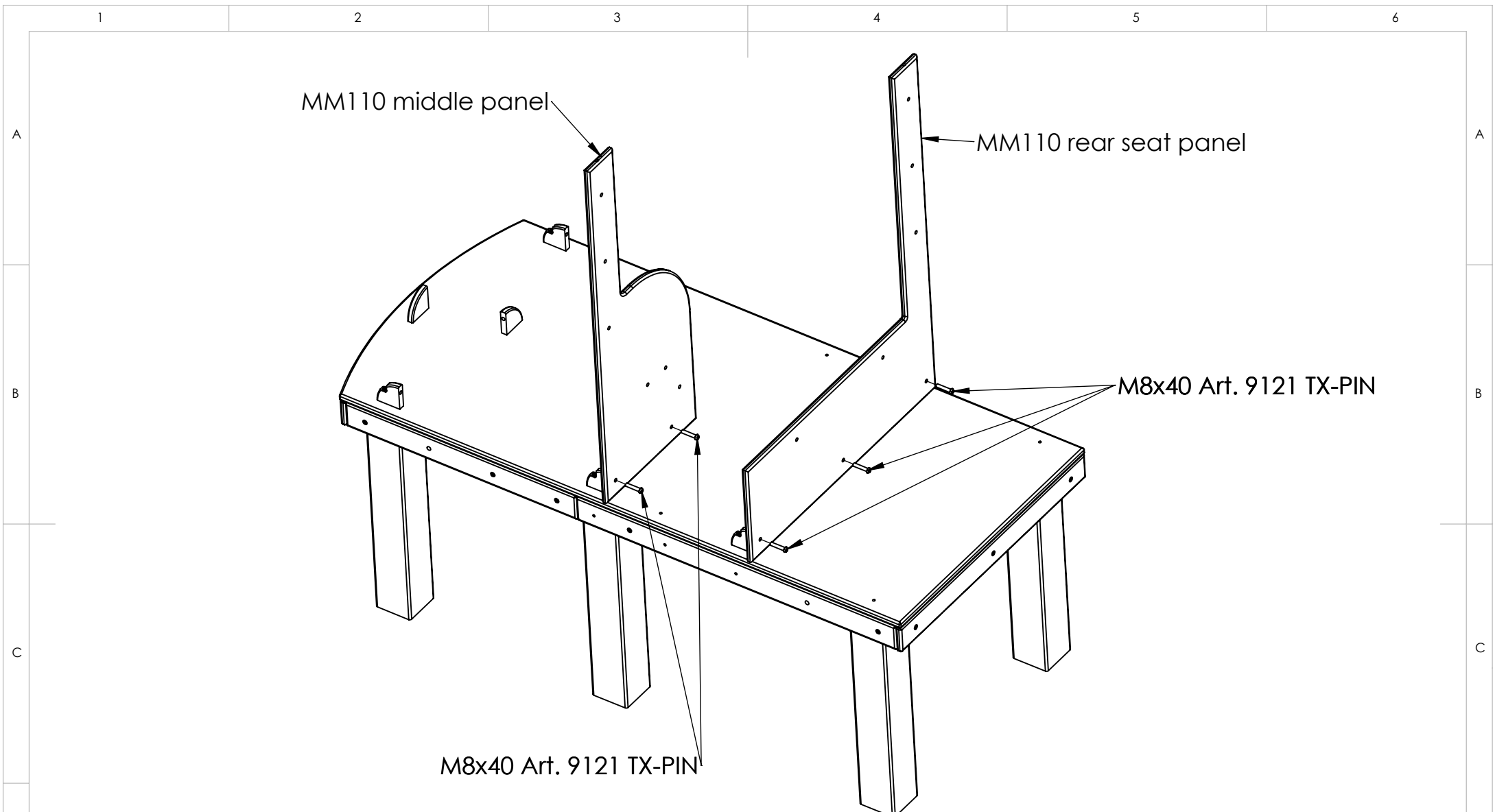


MATERIAL: wood, metal, plastic

A4

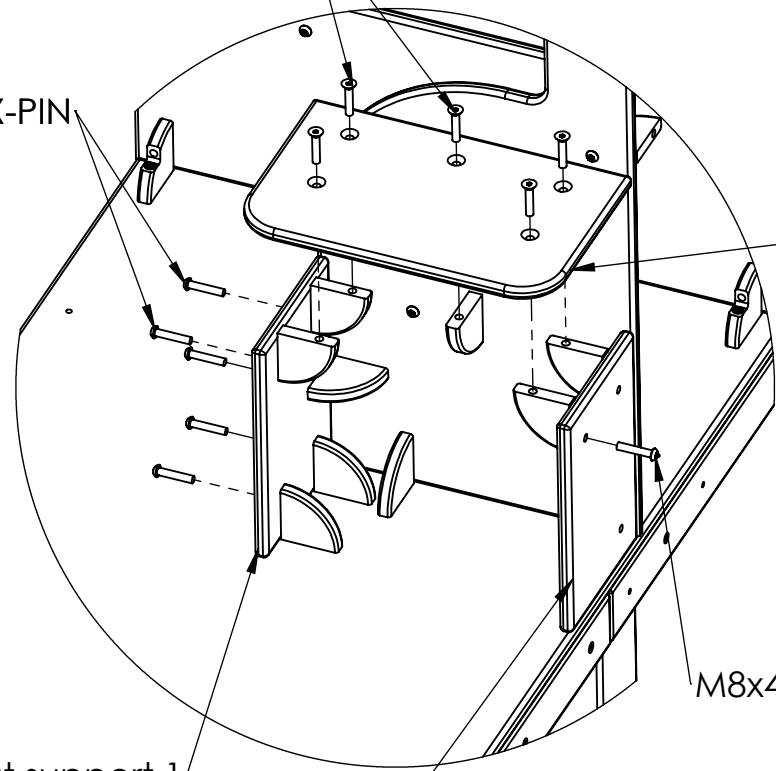
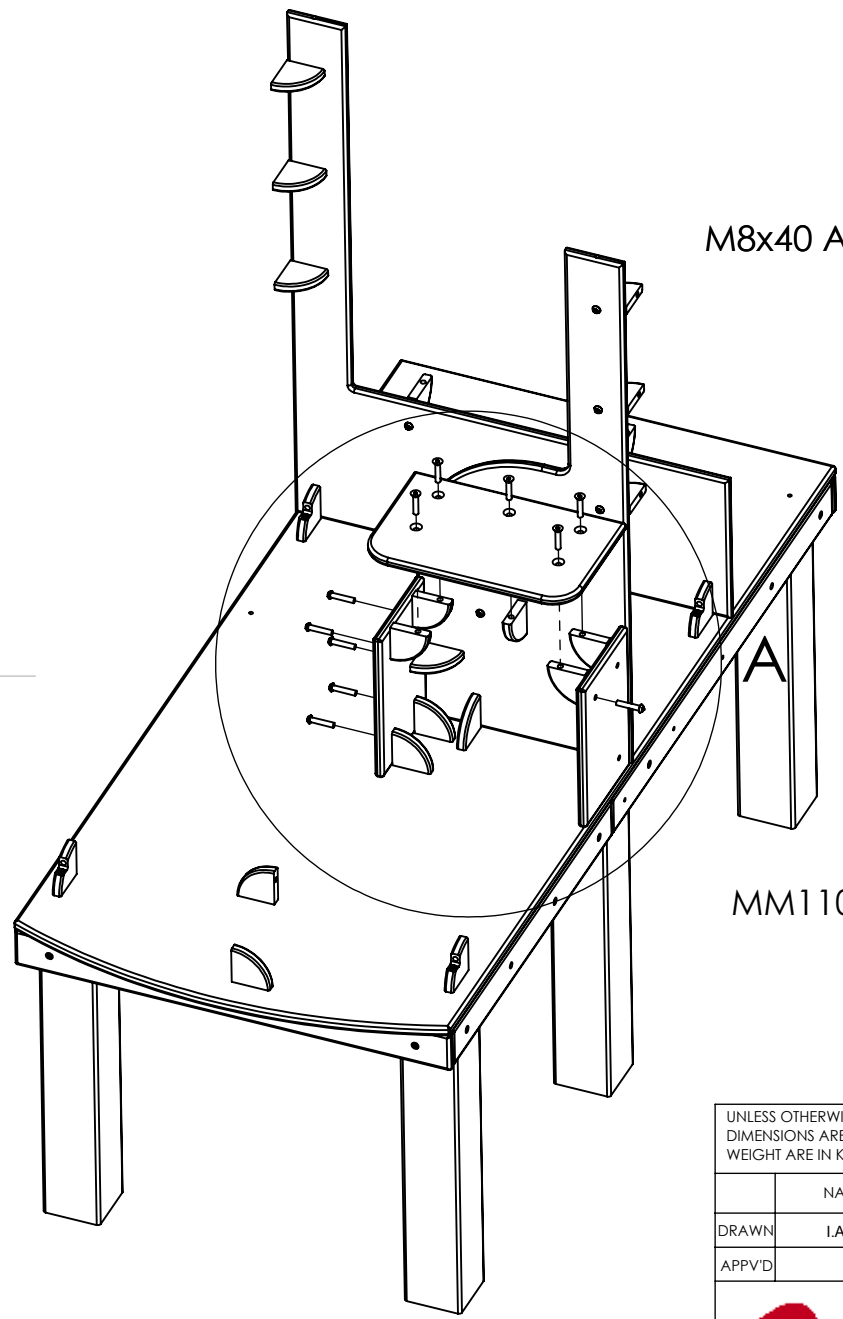
1 2 3 4 5 6

WEIGHT: SCALE: 1:15 SHEET 11 OF 29



UNLESS OTHERWISE SPECIFIED: DIMENSIONS ARE IN MILLIMETERS WEIGHT ARE IN KILOGRAMM					PART NUMBER / DWG NO.: MM110		
	NAME	SIGNATURE	DATE	REVISION	DESCRIPTION: Playcar Ambulance		
DRAWN	I.Agar		11.11.2022				
APPV'D							
					MATERIAL: wood, metal, plastic		A4
					WEIGHT:		SCALE: 1:12

DETAIL A SCALE 1 : 8



M8x40 DIN7991

M8x40 Art. 9121 TX-PIN

MM110 front seat

M8x40 Art. 9121 TX-PIN

MM110 front seat support 1

MM110 front seat support 2

UNLESS OTHERWISE SPECIFIED:
DIMENSIONS ARE IN MILLIMETERS
WEIGHT ARE IN KILOGRAMM

	NAME	SIGNATURE	DATE	REVISION
DRAWN	I.Agar		11.11.2022	
APPV'D				

PART NUMBER / DWG NO.:
MM110

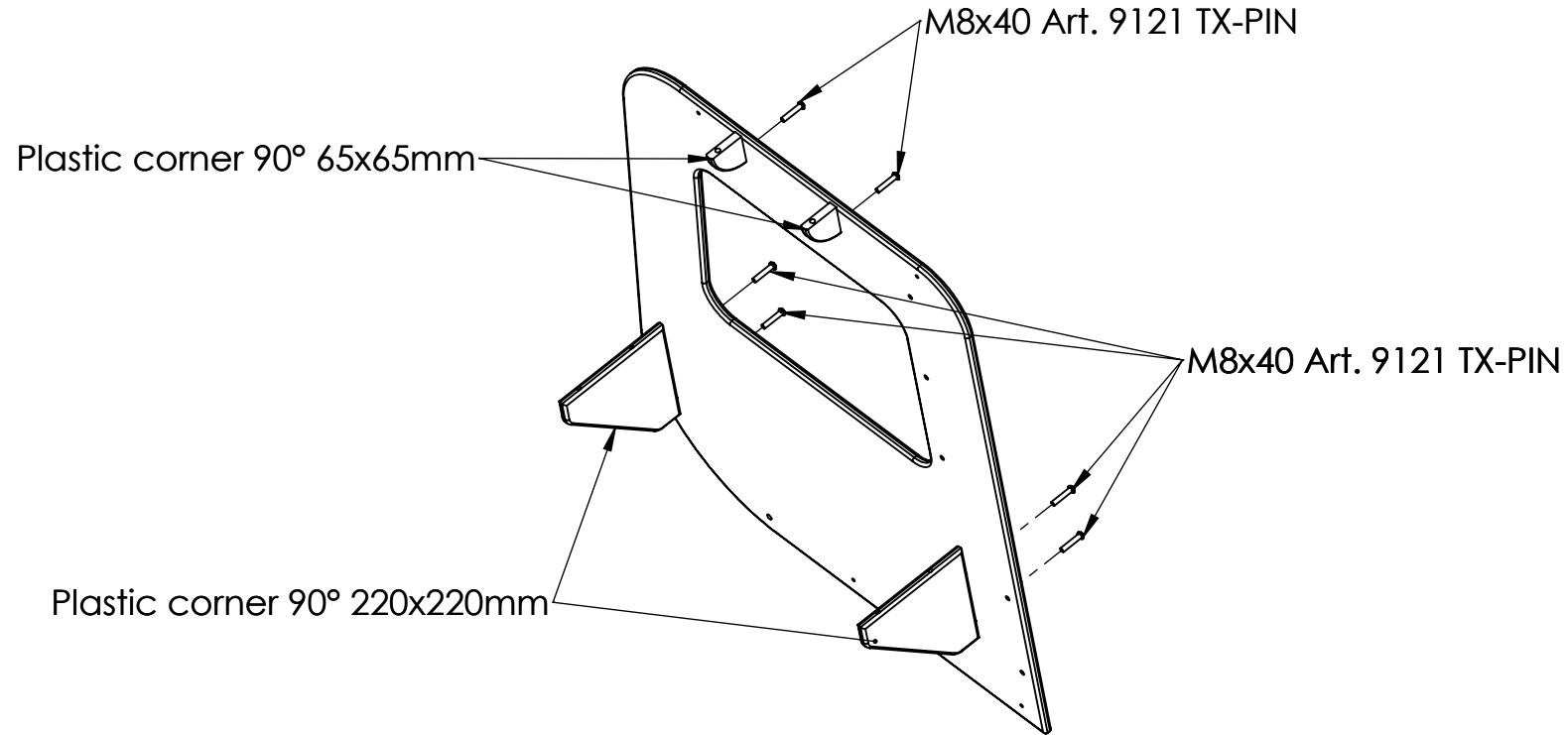
DESCRIPTION:
Playcar Ambulance



MATERIAL: wood, metal, plastic

A4

WEIGHT: SCALE: 1:12 SHEET 14 OF 29



UNLESS OTHERWISE SPECIFIED:
 DIMENSIONS ARE IN MILLIMETERS
 WEIGHT ARE IN KILOGRAMM

PART NUMBER / DWG NO.:
MM110

	NAME	SIGNATURE	DATE	REVISION
DRAWN	I.Agar		11.11.2022	
APPV'D				

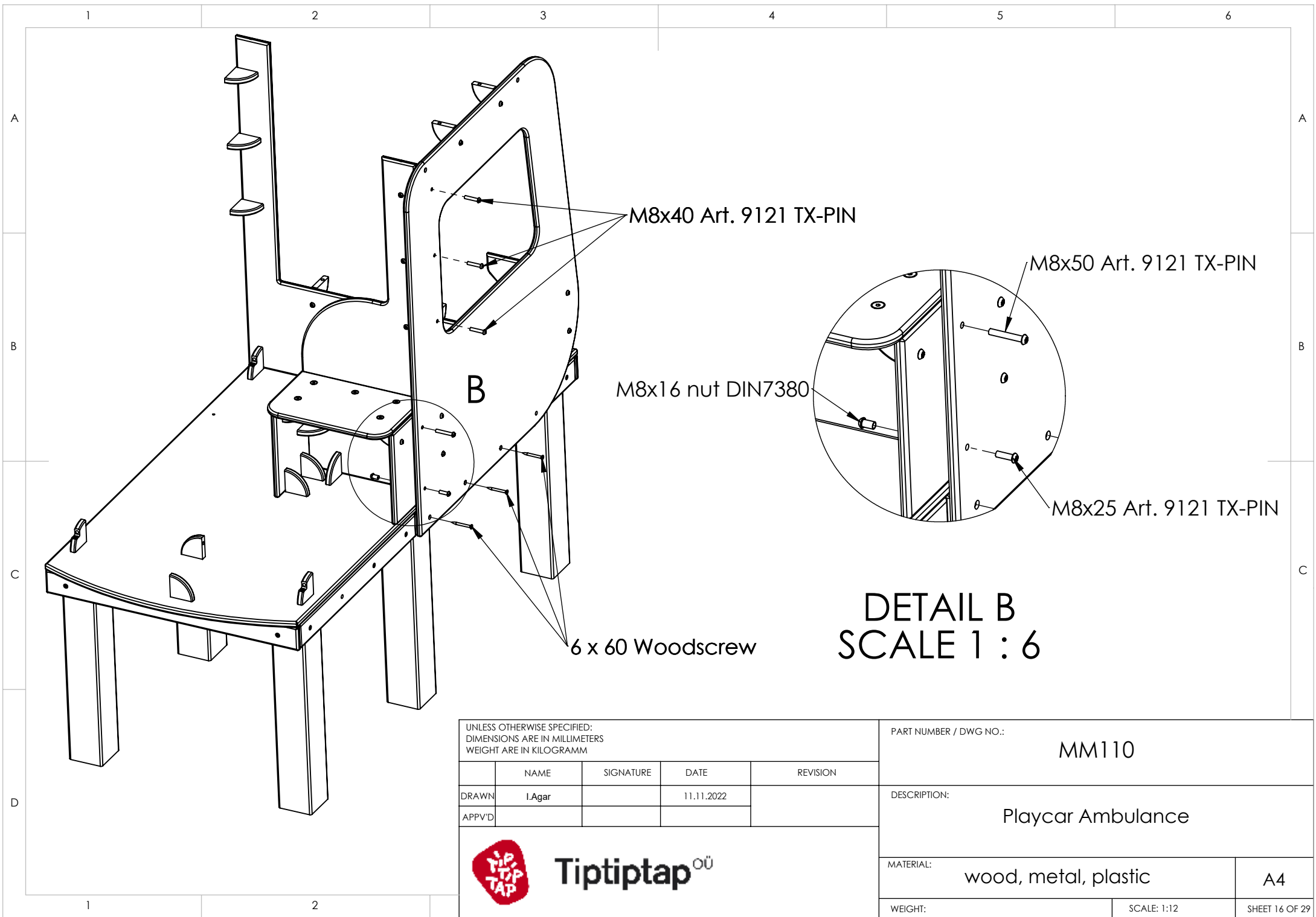
DESCRIPTION:
Playcar Ambulance



MATERIAL: wood, metal, plastic

A4

WEIGHT: SCALE: 1:12 SHEET 15 OF 29



DETAIL B
SCALE 1 : 6

UNLESS OTHERWISE SPECIFIED:
DIMENSIONS ARE IN MILLIMETERS
WEIGHT ARE IN KILOGRAMM

	NAME	SIGNATURE	DATE	REVISION
DRAWN	I.Agar		11.11.2022	
APPV'D				

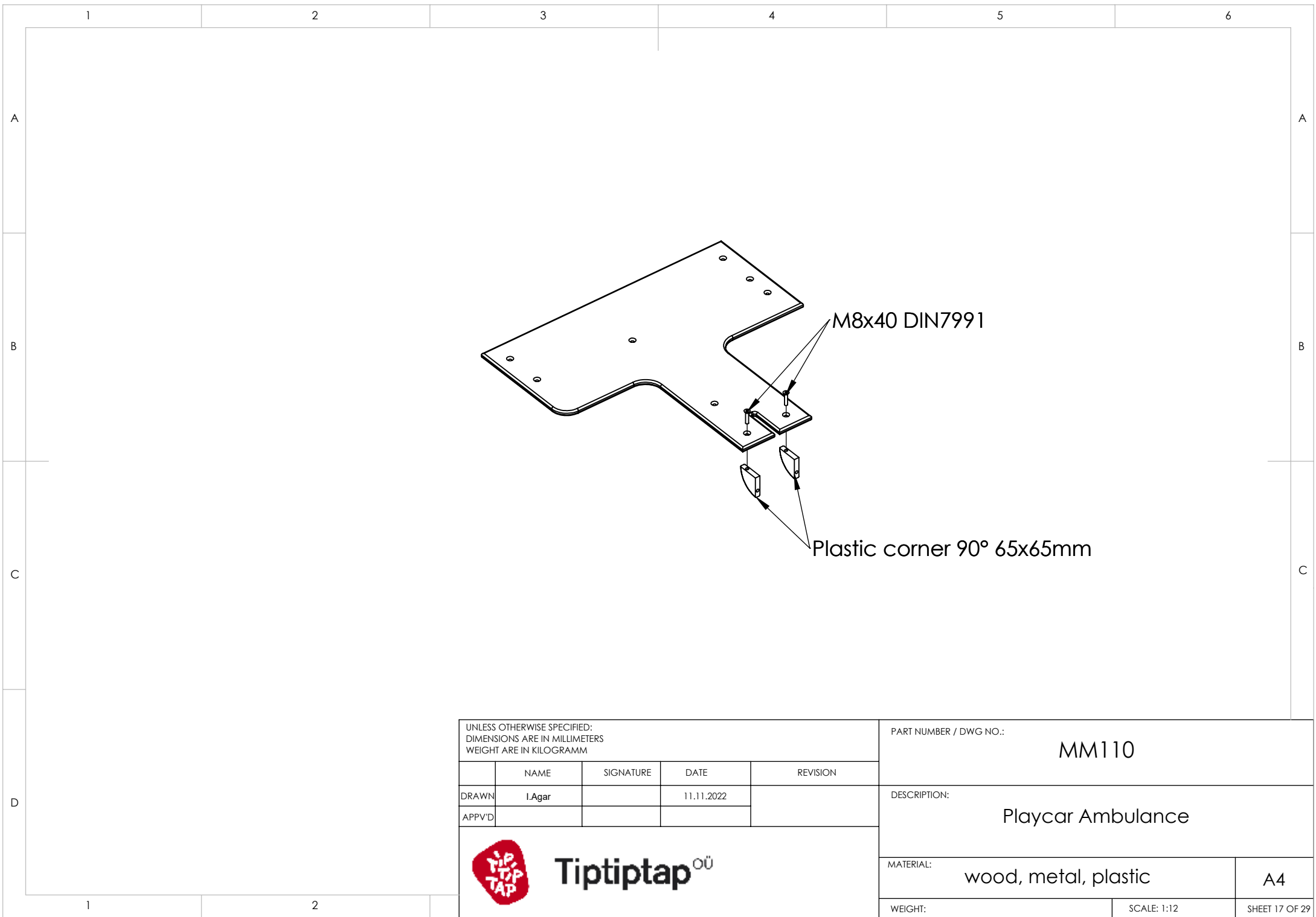


PART NUMBER / DWG NO.:
MM110

DESCRIPTION:
Playcar Ambulance

MATERIAL: wood, metal, plastic A4

WEIGHT: SCALE: 1:12 SHEET 16 OF 29



M8x40 DIN7991

Plastic corner 90° 65x65mm

UNLESS OTHERWISE SPECIFIED:
 DIMENSIONS ARE IN MILLIMETERS
 WEIGHT ARE IN KILOGRAMM

PART NUMBER / DWG NO.:
MM110

	NAME	SIGNATURE	DATE	REVISION
DRAWN	I.Agar		11.11.2022	
APPV'D				

DESCRIPTION:
Playcar Ambulance



MATERIAL: wood, metal, plastic A4

WEIGHT: SCALE: 1:12 SHEET 17 OF 29

1

2

3

4

5

6

A

A

B

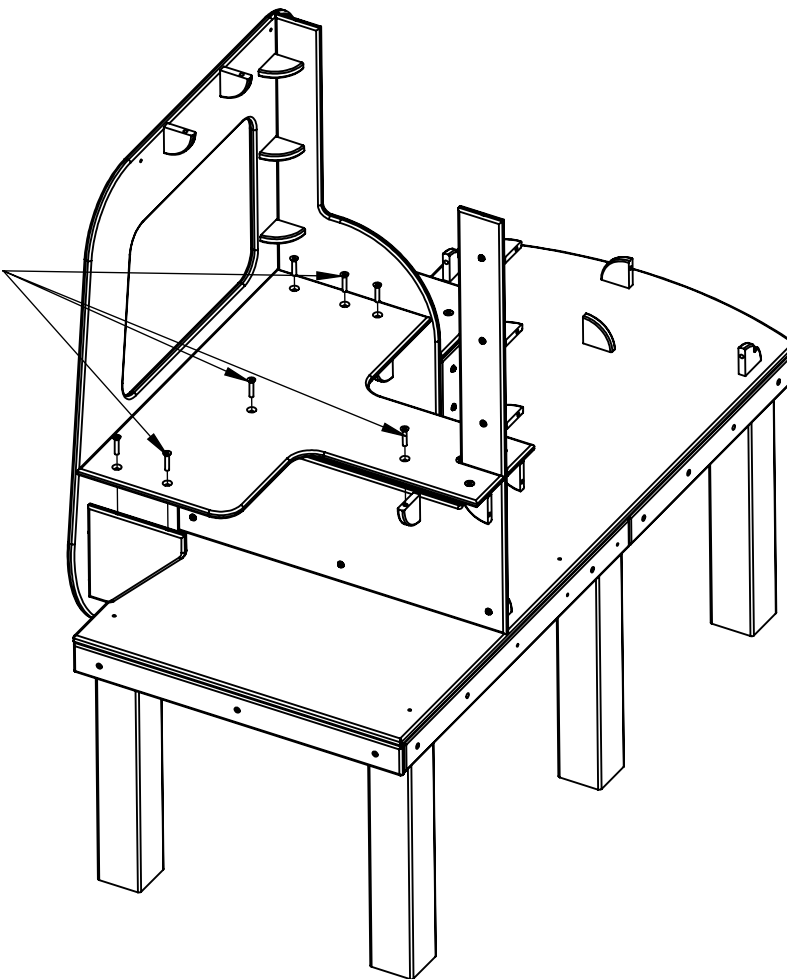
B

C

C

D

M8x40 DIN7991



UNLESS OTHERWISE SPECIFIED:
 DIMENSIONS ARE IN MILLIMETERS
 WEIGHT ARE IN KILOGRAMM

PART NUMBER / DWG NO.:

MM110

	NAME	SIGNATURE	DATE	REVISION
DRAWN	I.Agar		11.11.2022	
APPV'D				

DESCRIPTION:

Playcar Ambulance

MATERIAL:

wood, metal, plastic

A4

WEIGHT:

SCALE: 1:15

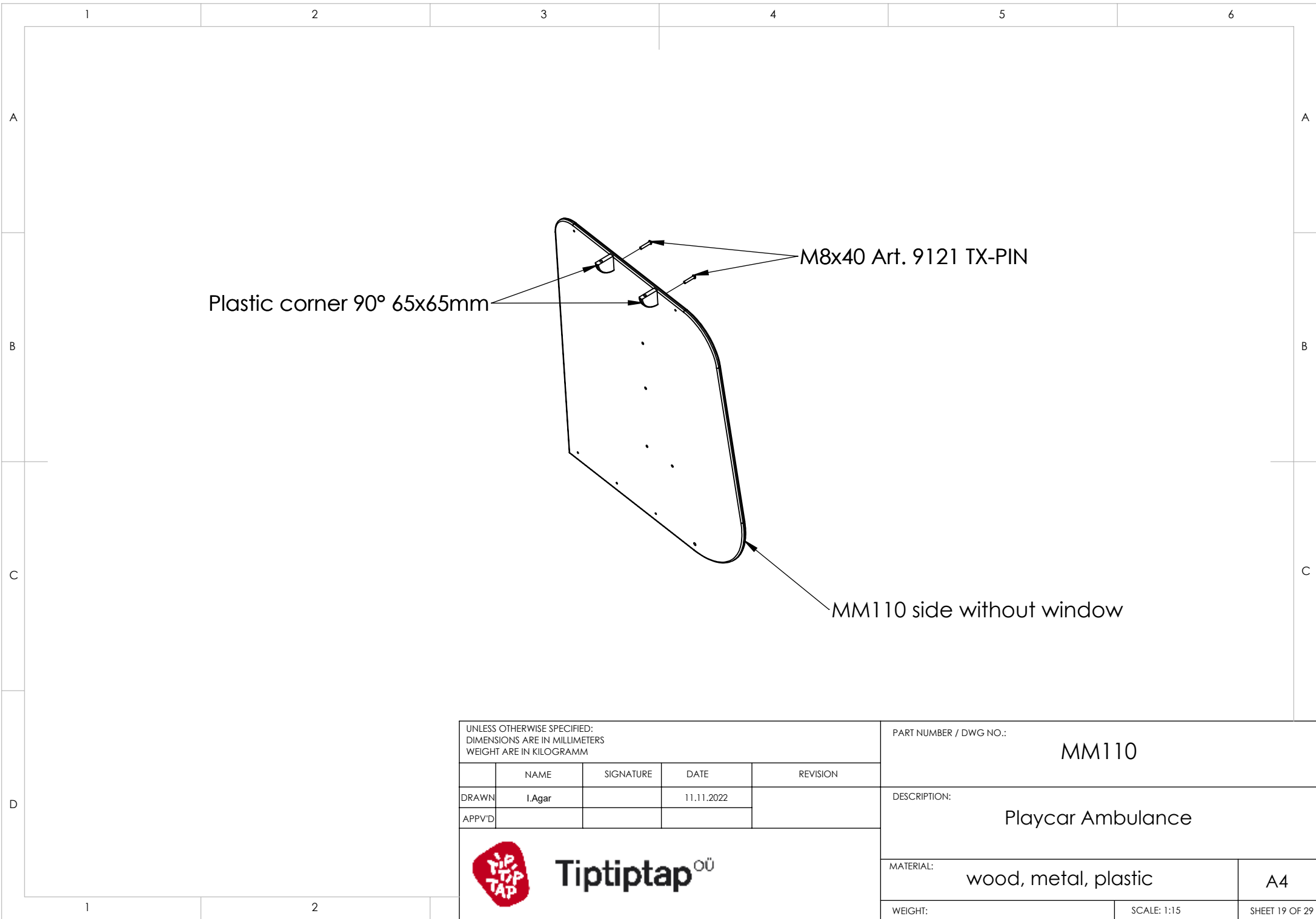
SHEET 18 OF 29



Tiptiptap^{ÖÜ}

1

2



UNLESS OTHERWISE SPECIFIED:
 DIMENSIONS ARE IN MILLIMETERS
 WEIGHT ARE IN KILOGRAMM

PART NUMBER / DWG NO.:
MM110

	NAME	SIGNATURE	DATE	REVISION
DRAWN	I.Agar		11.11.2022	
APPV'D				

DESCRIPTION:
Playcar Ambulance



MATERIAL:	wood, metal, plastic	A4
WEIGHT:		SCALE: 1:15
		SHEET 19 OF 29

1 2 3 4 5 6

A

A

B

B

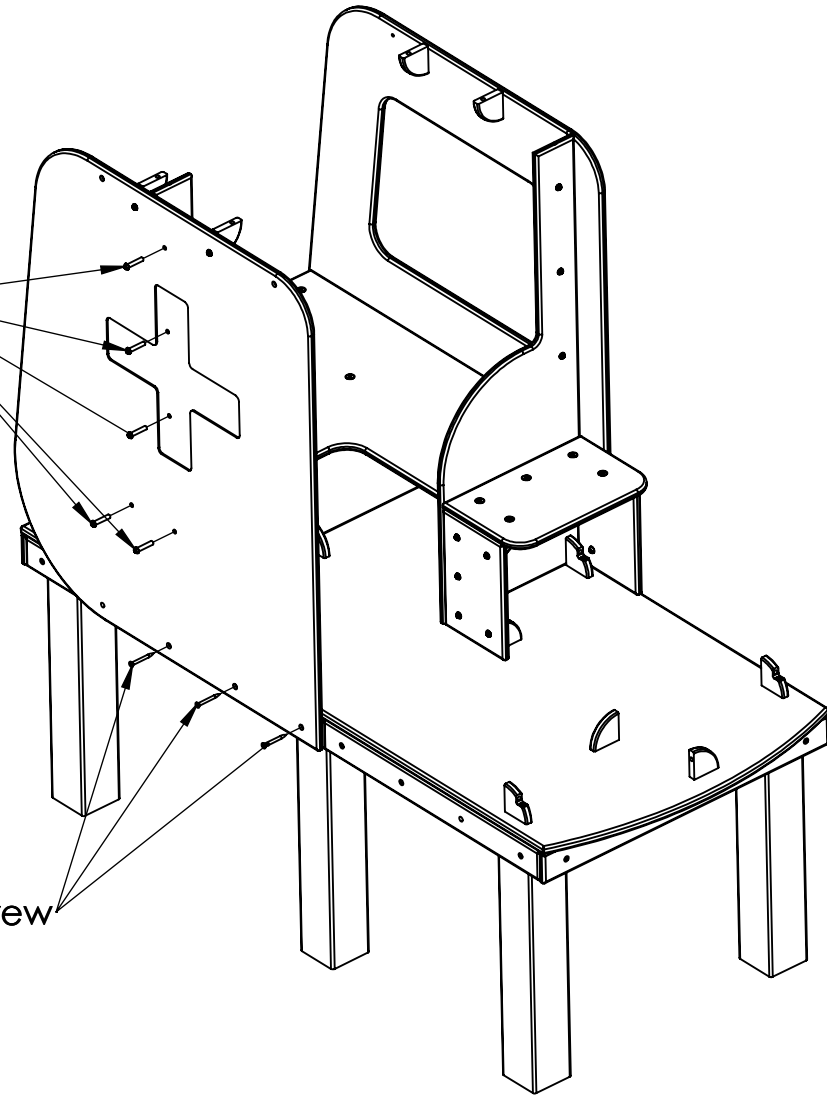
C

C

D

M8x40 Art. 9121 TX-PIN

6 x 60 Woodscrew



UNLESS OTHERWISE SPECIFIED:
DIMENSIONS ARE IN MILLIMETERS
WEIGHT ARE IN KILOGRAMM

PART NUMBER / DWG NO.:
MM110

	NAME	SIGNATURE	DATE	REVISION
DRAWN	I.Agar		11.11.2022	
APPV'D				

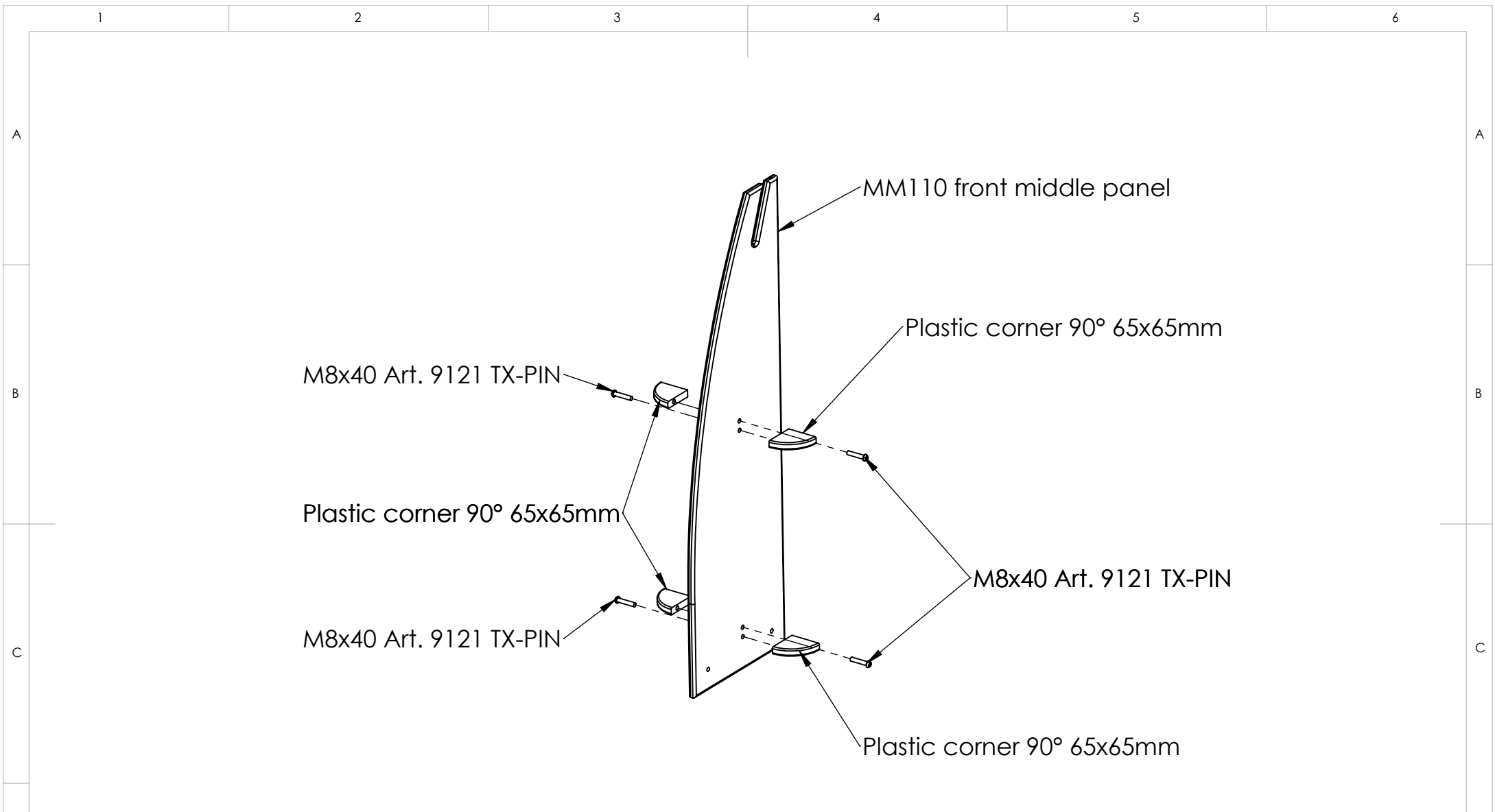
DESCRIPTION:
Playcar Ambulance




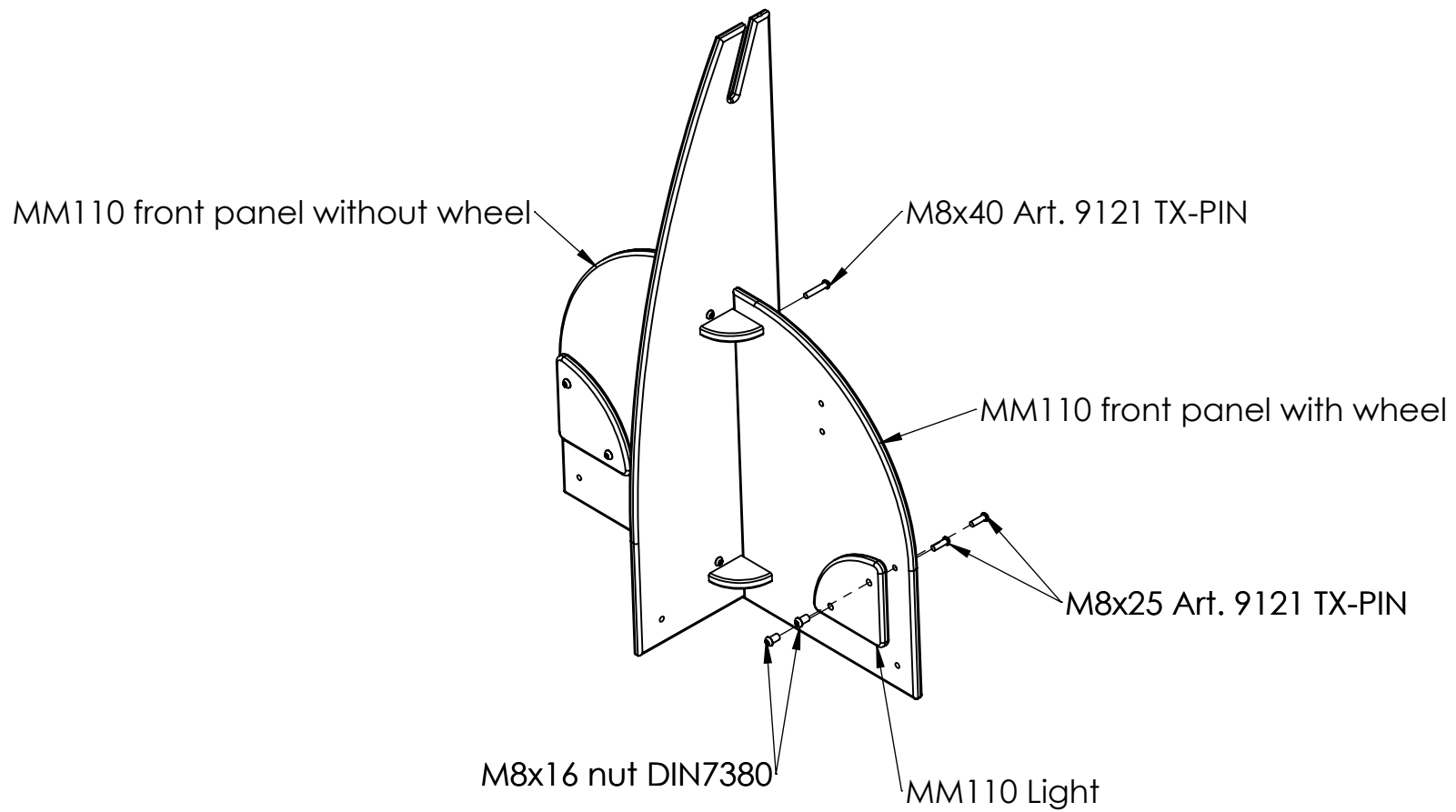
MATERIAL: wood, metal, plastic A4


1 2 3 4 5 6

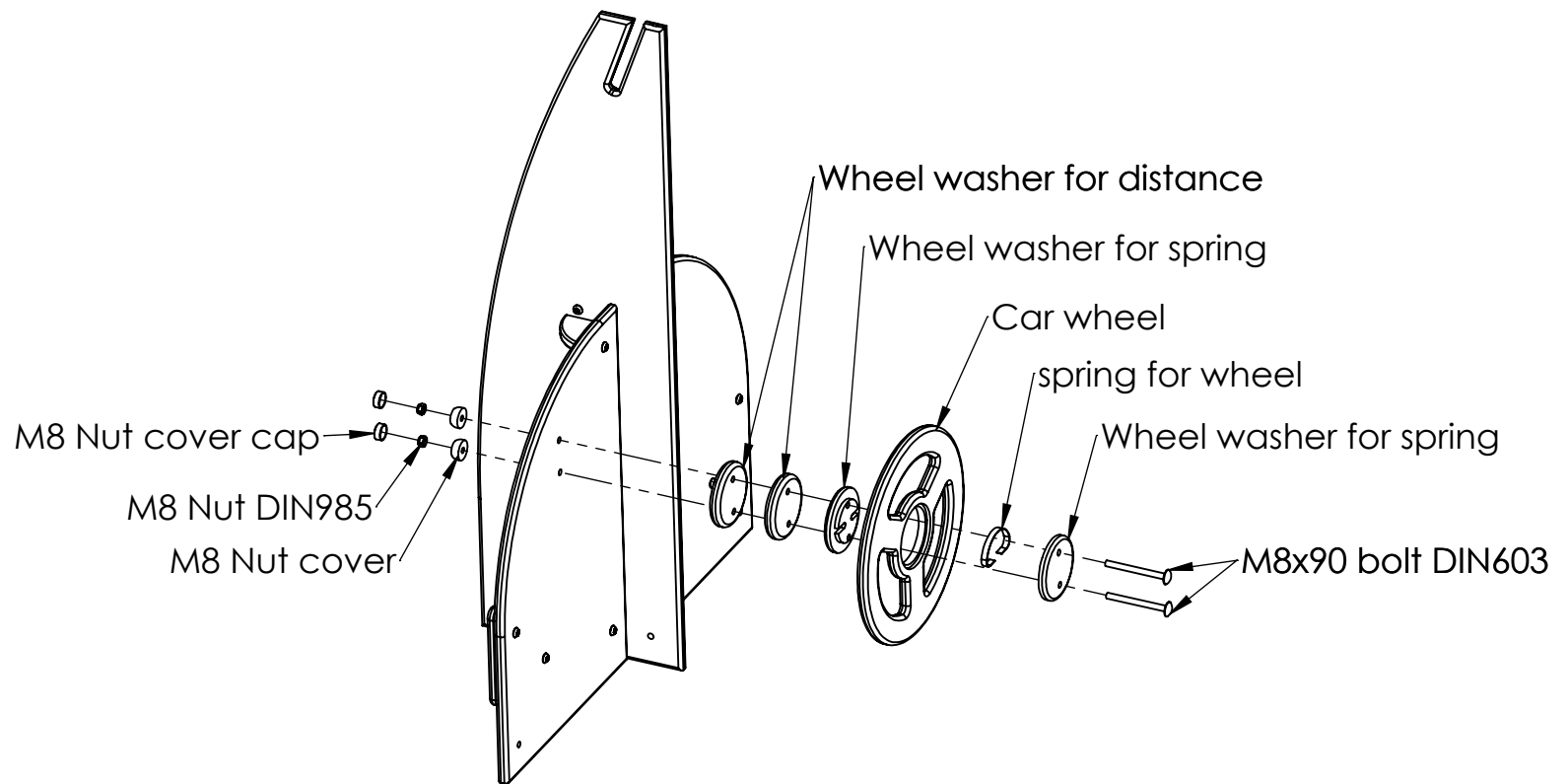
WEIGHT: SCALE: 1:15 SHEET 20 OF 29



UNLESS OTHERWISE SPECIFIED: DIMENSIONS ARE IN MILLIMETERS WEIGHT ARE IN KILOGRAMM					PART NUMBER / DWG NO.: MM110	
	NAME	SIGNATURE	DATE	REVISION	DESCRIPTION: Playcar Ambulance	
DRAWN	I.Agar		11.11.2022			
APPV'D						
 Tiptiptap ^{OO}					MATERIAL:	wood, metal, plastic
					WEIGHT:	



UNLESS OTHERWISE SPECIFIED: DIMENSIONS ARE IN MILLIMETERS WEIGHT ARE IN KILOGRAMM					PART NUMBER / DWG NO.:		MM110		
	NAME	SIGNATURE	DATE	REVISION	DESCRIPTION: Playcar Ambulance				
DRAWN	I.Agar		11.11.2022						
APPV'D									
 Tiptap ^{OO}					MATERIAL:		wood, metal, plastic		A4
					WEIGHT:		SCALE: 1:10		SHEET 22 OF 29



UNLESS OTHERWISE SPECIFIED:
 DIMENSIONS ARE IN MILLIMETERS
 WEIGHT ARE IN KILOGRAMM

PART NUMBER / DWG NO.:
MM110

	NAME	SIGNATURE	DATE	REVISION
DRAWN	I.Agar		11.11.2022	
APPV'D				

DESCRIPTION:
Playcar Ambulance



MATERIAL:	wood, metal, plastic	A4
WEIGHT:	SCALE: 1:10	SHEET 23 OF 29

1 2 3 4 5 6

DETAIL C SCALE 2 : 15

A

A

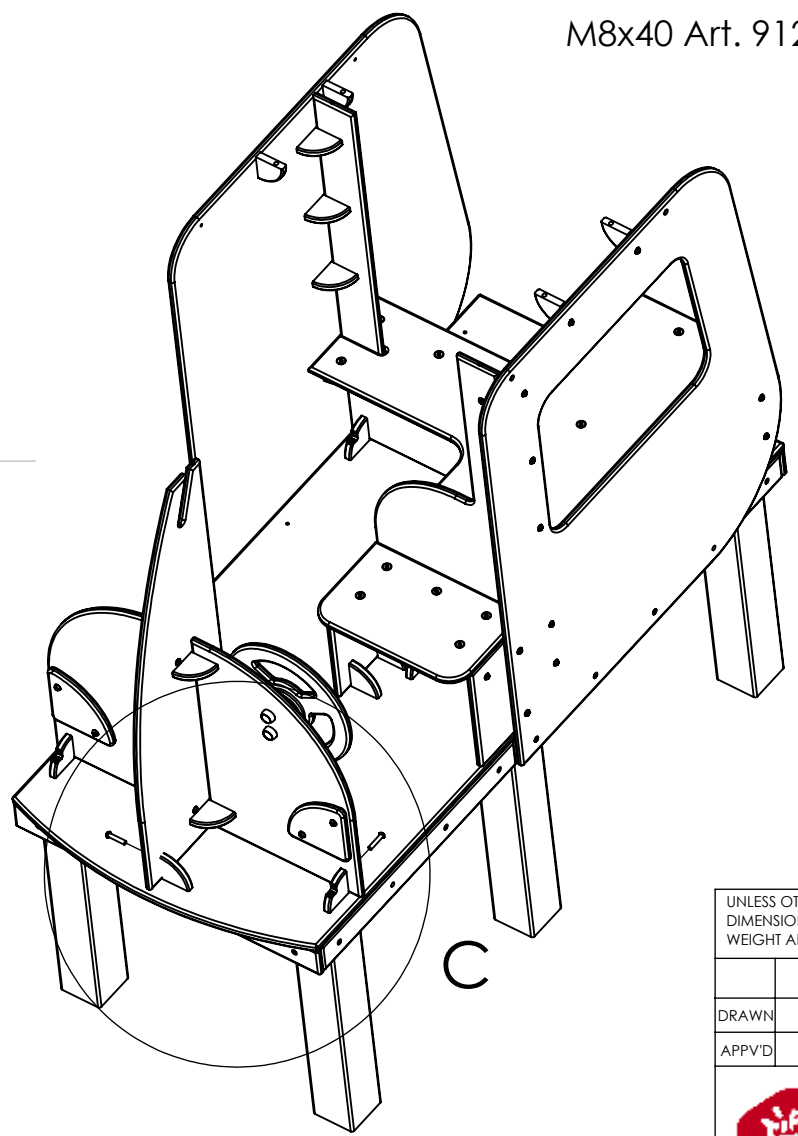
B

B

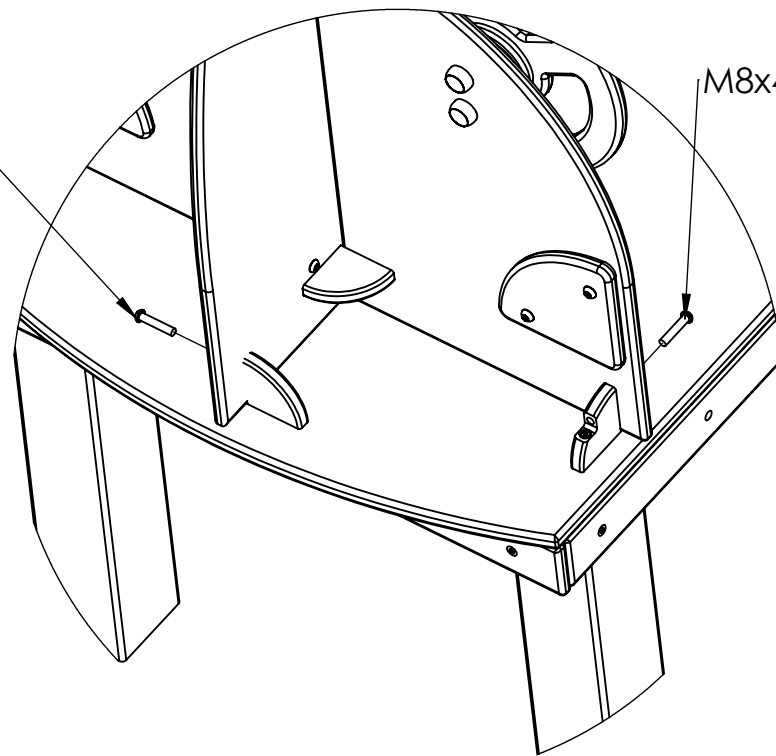
C

C

D



M8x40 Art. 9121 TX-PIN



M8x40 Art. 9121 TX-PIN

UNLESS OTHERWISE SPECIFIED:
DIMENSIONS ARE IN MILLIMETERS
WEIGHT ARE IN KILOGRAMM

PART NUMBER / DWG NO.:
MM110

	NAME	SIGNATURE	DATE	REVISION
DRAWN	I.Agar		11.11.2022	
APPV'D				

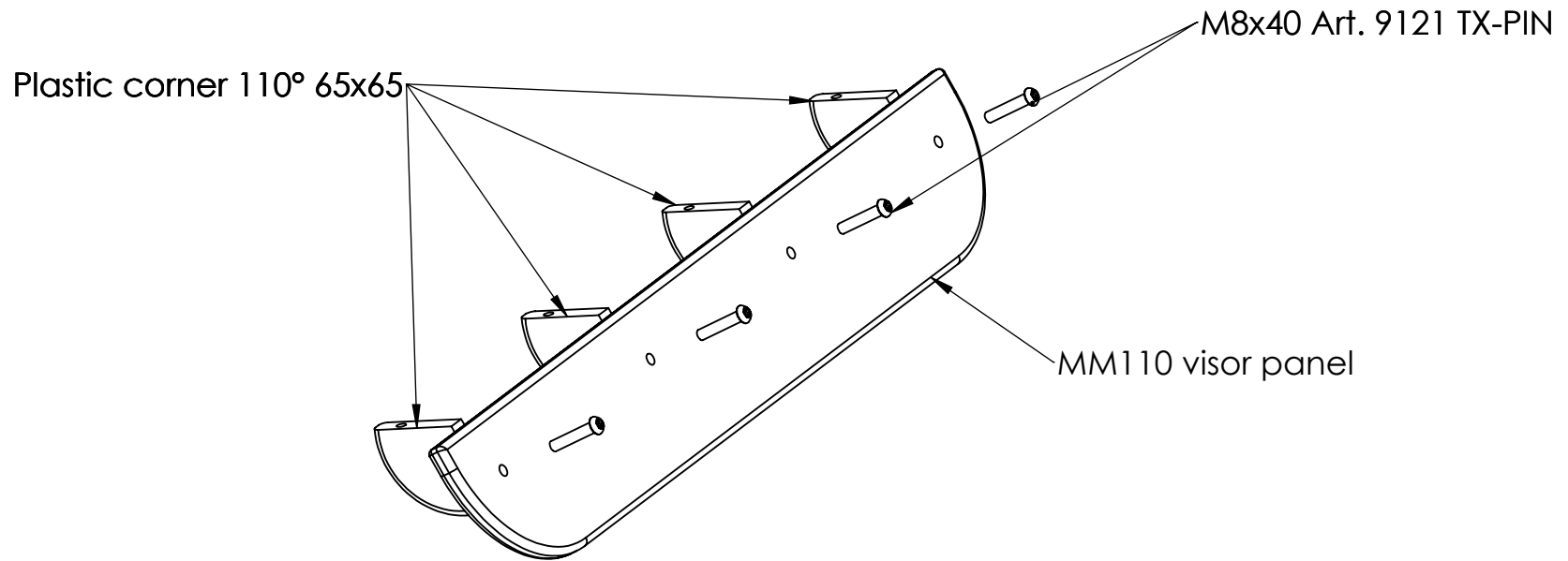
DESCRIPTION:
Playcar Ambulance



MATERIAL: wood, metal, plastic A4

WEIGHT: SCALE: 1:15 SHEET 24 OF 29

1 2



UNLESS OTHERWISE SPECIFIED:
 DIMENSIONS ARE IN MILLIMETERS
 WEIGHT ARE IN KILOGRAMM

PART NUMBER / DWG NO.:
MM110

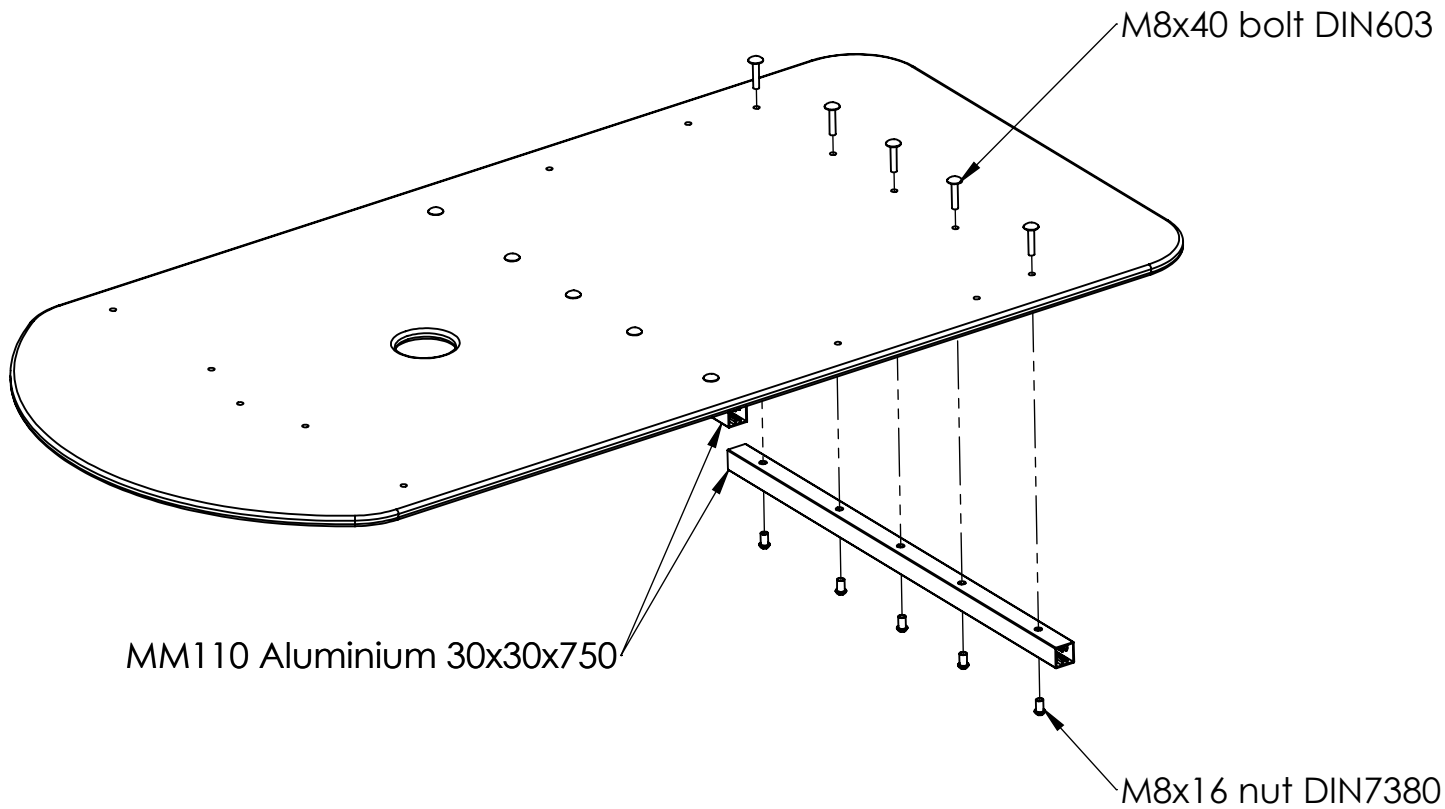
	NAME	SIGNATURE	DATE	REVISION
DRAWN	I.Agar		11.11.2022	
APPV'D				

DESCRIPTION:
Playcar Ambulance



MATERIAL: wood, metal, plastic A4

WEIGHT: SCALE: 1:5 SHEET 25 OF 29



UNLESS OTHERWISE SPECIFIED:
 DIMENSIONS ARE IN MILLIMETERS
 WEIGHT ARE IN KILOGRAMM

	NAME	SIGNATURE	DATE	REVISION
DRAWN	I.Agar		11.11.2022	
APPV'D				



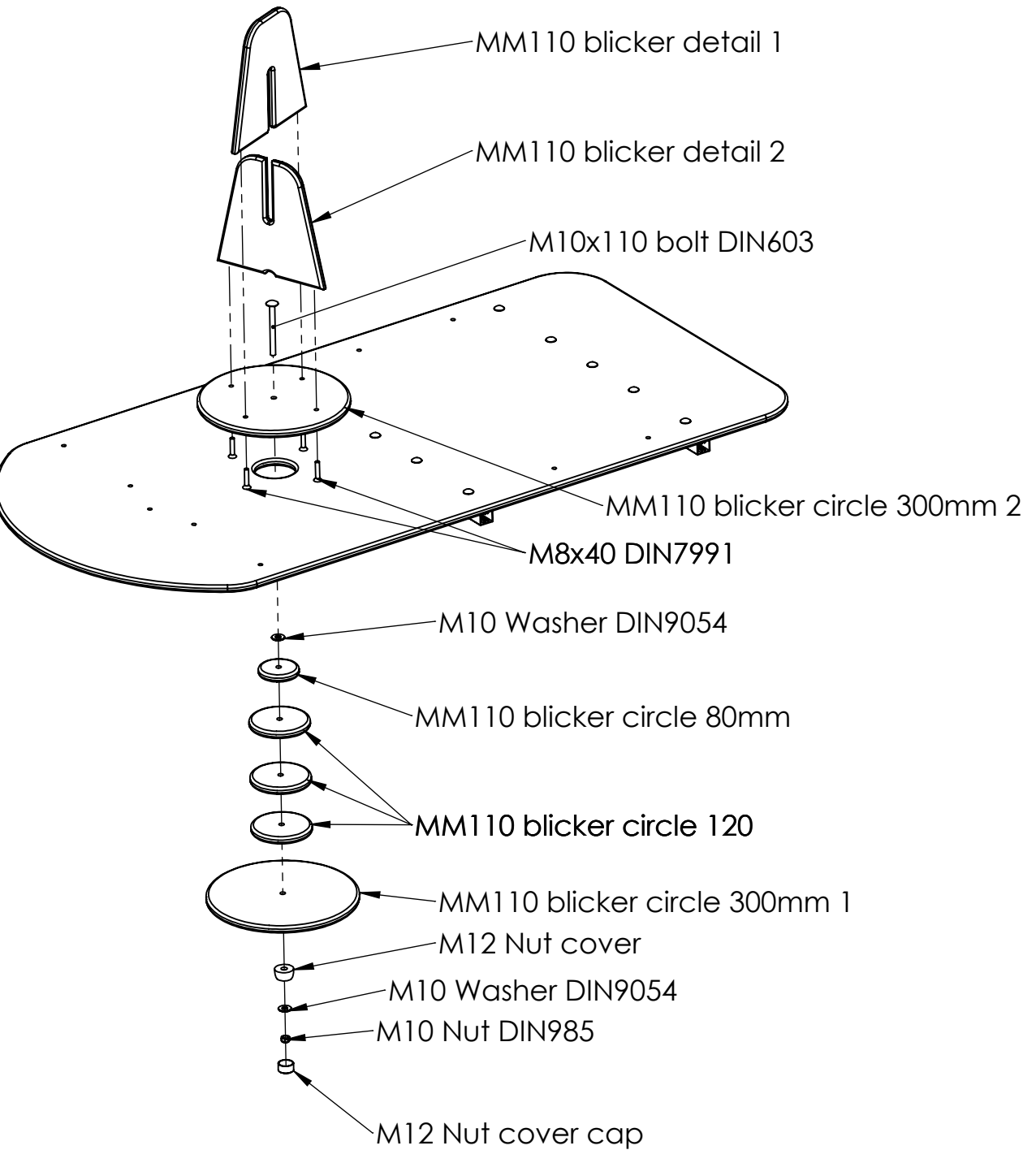
PART NUMBER / DWG NO.:
MM110

DESCRIPTION:
Playcar Ambulance

MATERIAL: wood, metal, plastic

A4

WEIGHT: SCALE: 1:10 SHEET 26 OF 29



A
B
C
D
E
F

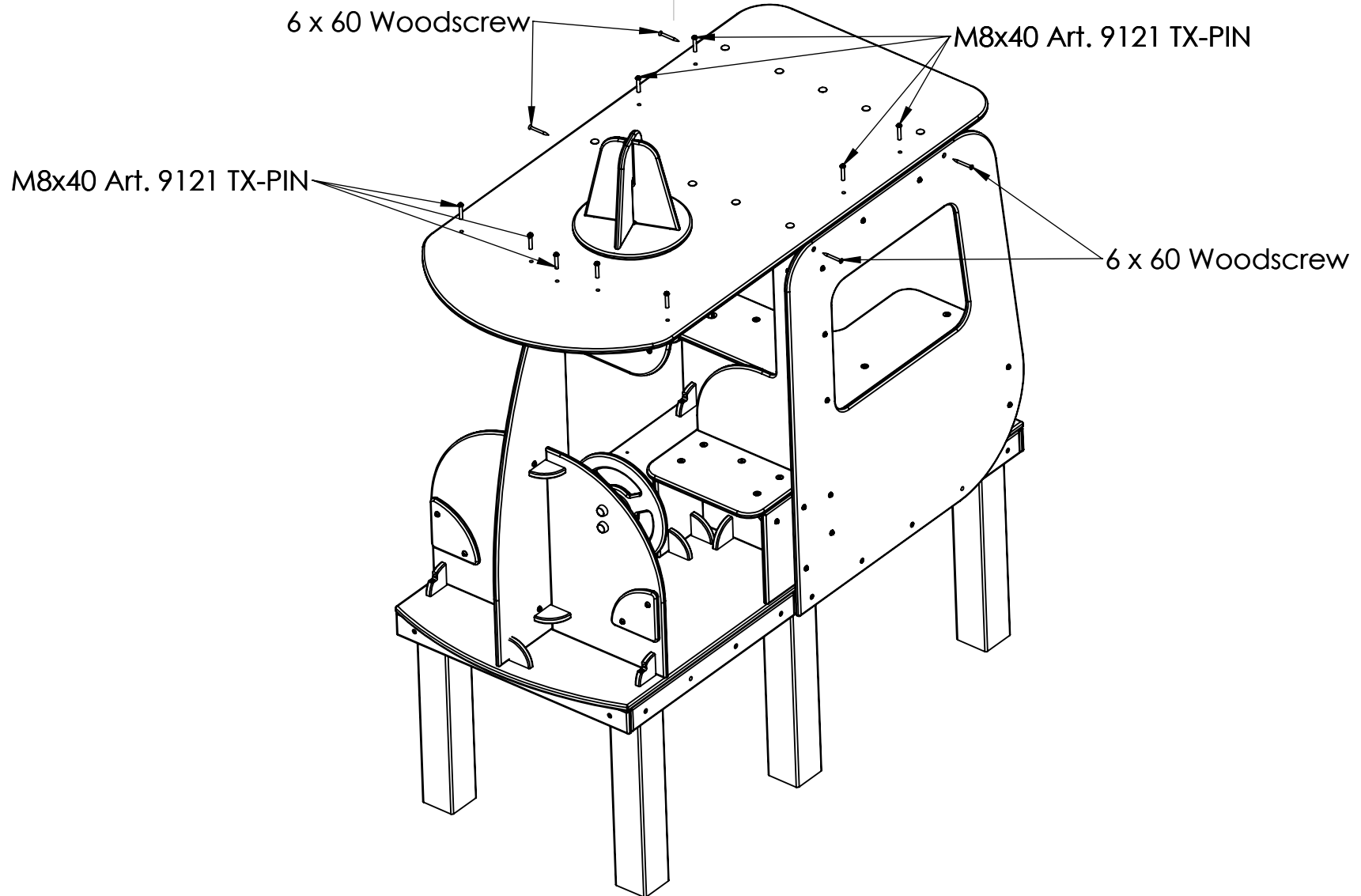
UNLESS OTHERWISE SPECIFIED:
DIMENSIONS ARE IN MILLIMETERS
WEIGHT ARE IN KILOGRAMM

	NAME	SIGNATURE	DATE	REVISION
DRAWN	I.Agar		11.11.2022	
APPV'D				

PART NUMBER / DWG NO.:	MM110	
DESCRIPTION:	Playcar Ambulance	



MATERIAL:	wood, metal, plastic	A4
WEIGHT:		SCALE: 1:12
		SHEET 27 OF 29



UNLESS OTHERWISE SPECIFIED:
 DIMENSIONS ARE IN MILLIMETERS
 WEIGHT ARE IN KILOGRAMM

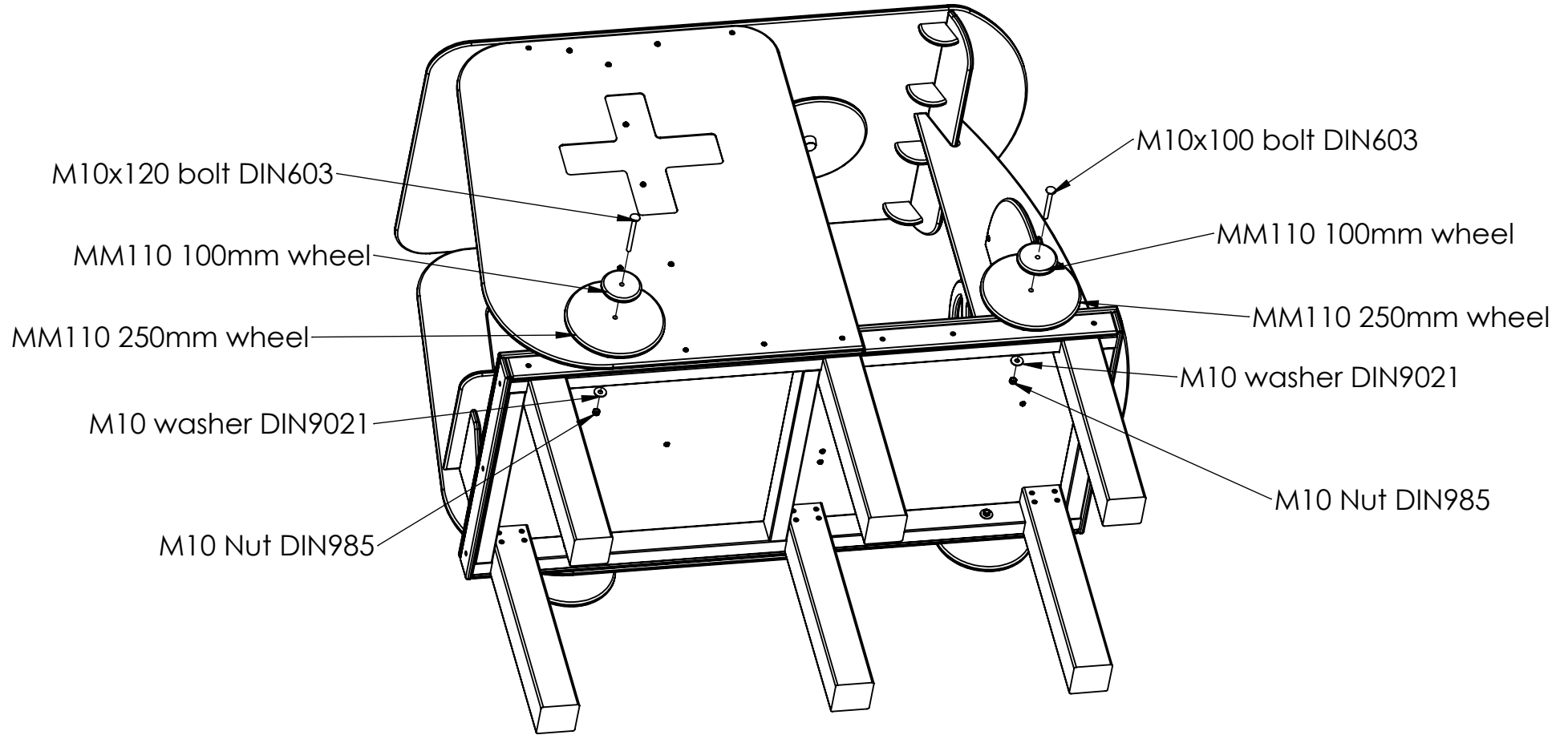
PART NUMBER / DWG NO.:
MM110

	NAME	SIGNATURE	DATE	REVISION
DRAWN	I.Agar		11.11.2022	
APPV'D				

DESCRIPTION:
Playcar Ambulance



MATERIAL:	wood, metal, plastic	A4
WEIGHT:		SCALE: 1:15
		SHEET 28 OF 29



UNLESS OTHERWISE SPECIFIED:
 DIMENSIONS ARE IN MILLIMETERS
 WEIGHT ARE IN KILOGRAMM

	NAME	SIGNATURE	DATE	REVISION
DRAWN	I.Agar		11.11.2022	
APPV'D				



PART NUMBER / DWG NO.:
MM110

DESCRIPTION:
Playcar Ambulance

MATERIAL: wood, metal, plastic

WEIGHT: SCALE: 1:15 SHEET 29 OF 29