

A

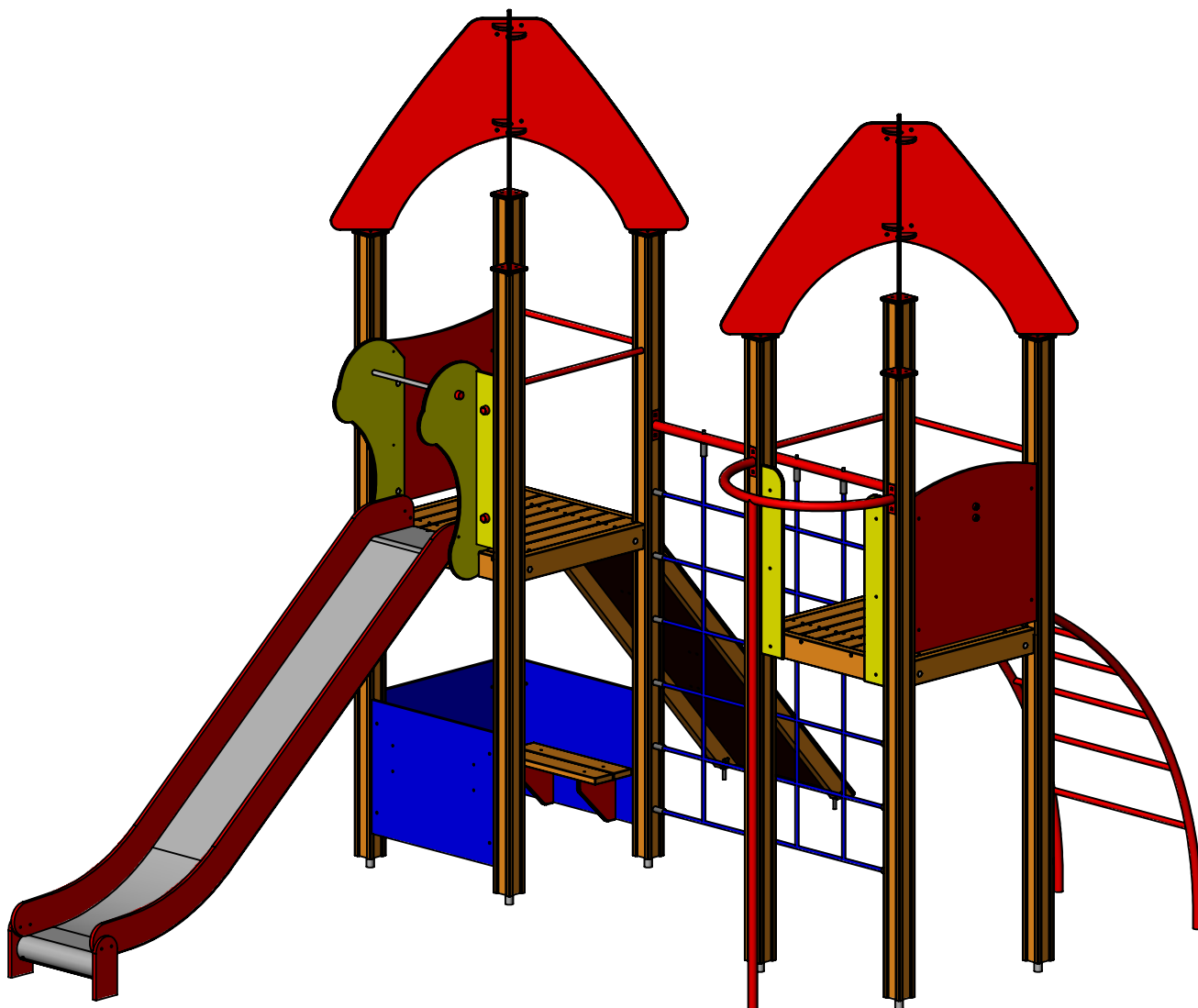
B

C

D

E

F



UNLESS OTHERWISE SPECIFIED:
DIMENSIONS ARE IN MILLIMETERS
WEIGHT ARE IN KILOGRAMM

PART NUMBER / DWG NO.:

LM217-1

	NAME	SIGNATURE	DATE	REVISION
DRAWN	I.Agar		11.11.2021	
APPV'D				

DESCRIPTION:

Play centre Hedvig



Tiptiptap OÜ

Tiptiptap OÜ
Veetorni 9,
Jüri alevik, Rae vald,
75301 Harjumaa

MATERIAL:

wood, metal, plastic

A4

WEIGHT:

SCALE: 1:30

SHEET 1 OF 29

A

B

C

D

E

F



UNLESS OTHERWISE SPECIFIED:
DIMENSIONS ARE IN MILLIMETERS
WEIGHT ARE IN KILOGRAMM

PART NUMBER / DWG NO.:

LM217-1

	NAME	SIGNATURE	DATE	REVISION
DRAWN	I.Agar		11.11.2021	
APPV'D				

DESCRIPTION:

Play centre Hedvig



Tiptiptap OÜ

Tiptiptap OÜ
Veetorni 9,
Jüri alevik, Rae vald,
75301 Harjumaa

MATERIAL:

wood, metal, plastic

A4

WEIGHT:

SCALE: 1:30

SHEET 2 OF 29

Safety area

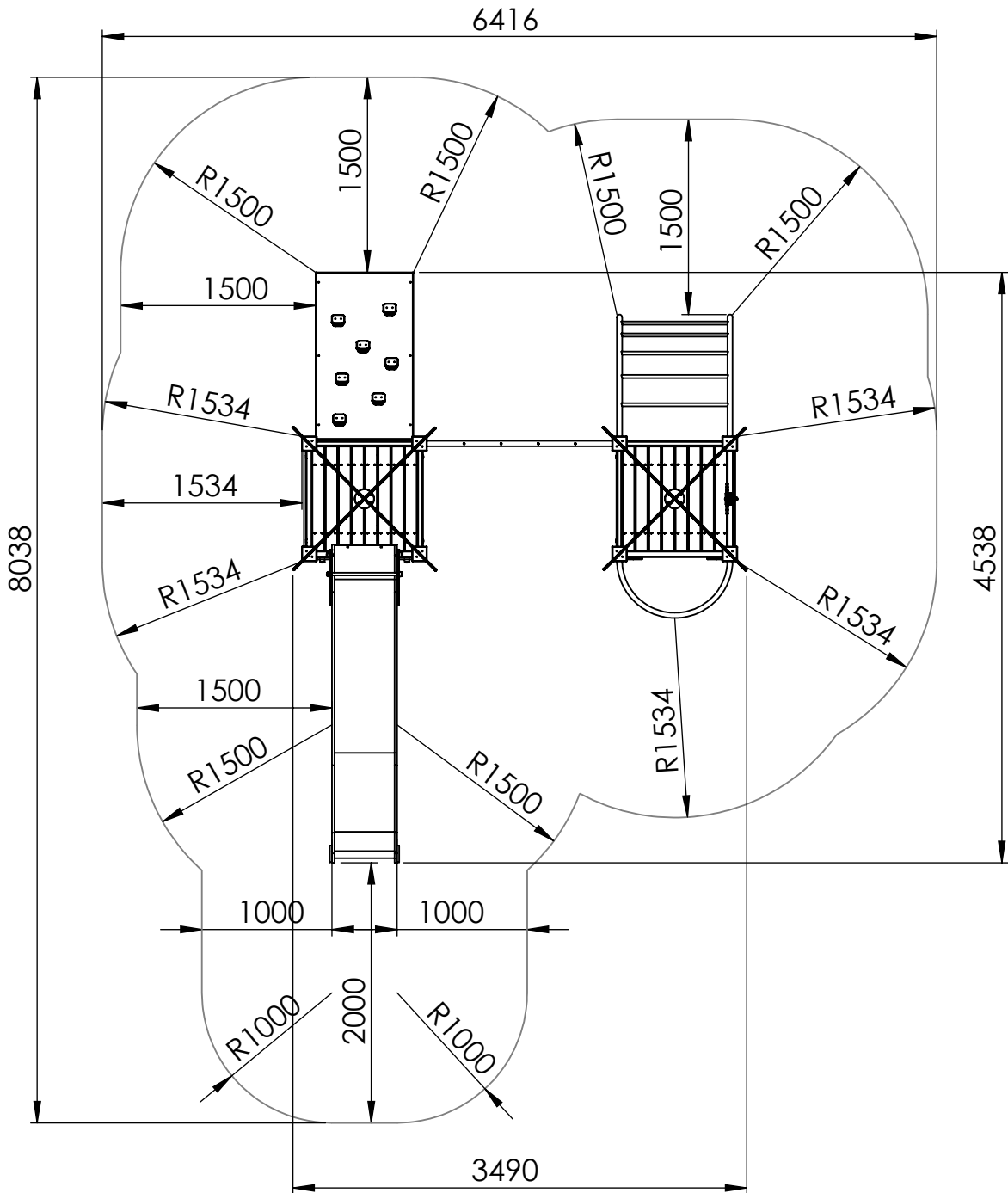
A

B

C

D

E



UNLESS OTHERWISE SPECIFIED:
DIMENSIONS ARE IN MILLIMETERS
WEIGHT ARE IN KILOGRAMM

PART NUMBER / DWG NO.:

LM217-1

	NAME	SIGNATURE	DATE	REVISION
DRAWN	I. Agar		11.11.2021	
APPV'D				

DESCRIPTION:

Play centre Hedvig



Tiptaptap OÜ

Tiptaptap OÜ
Veetorni 9,
Jüri alevik, Rae vald,
75301 Harjumaa

MATERIAL:

wood, metal, plastic

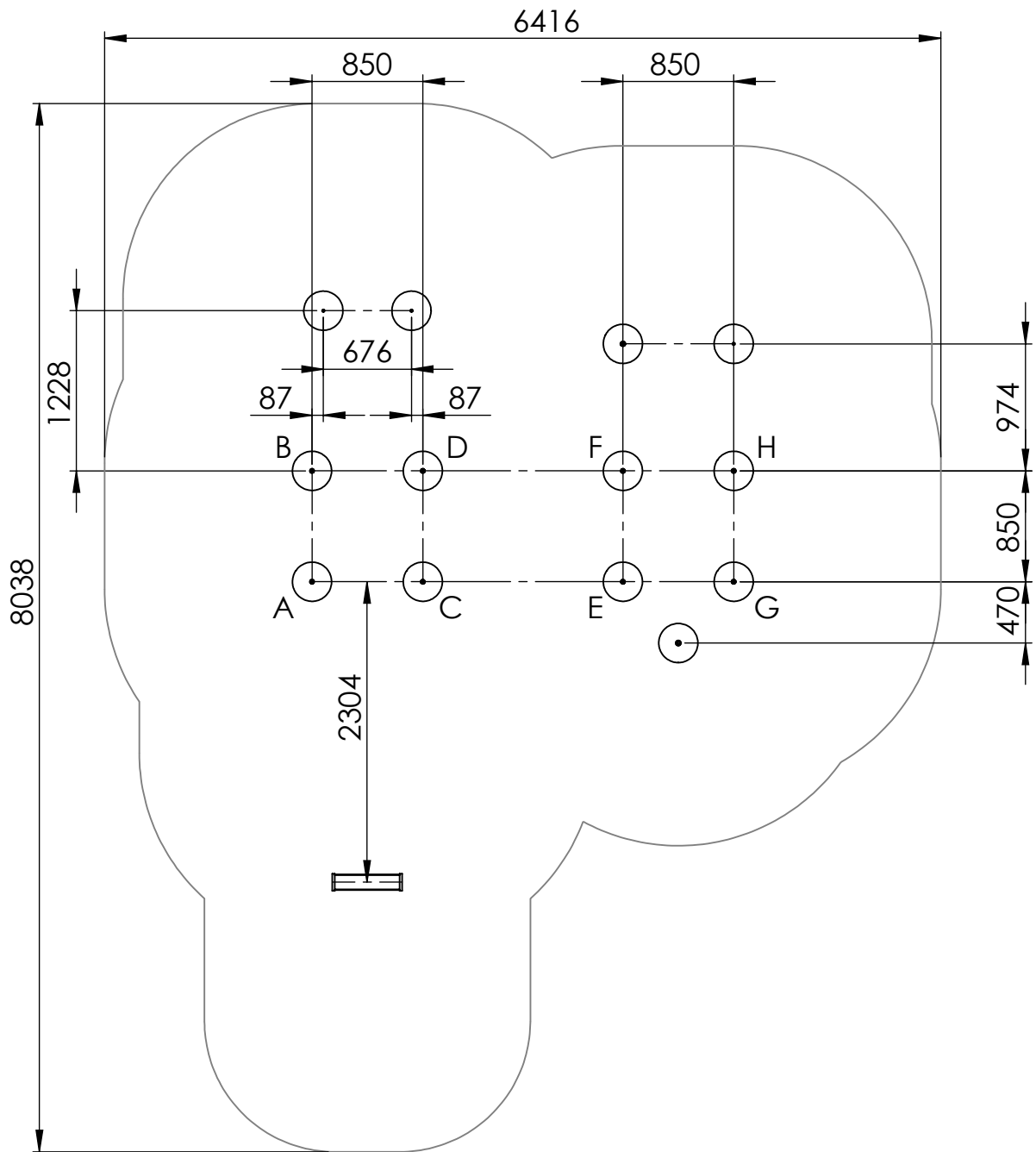
A4

WEIGHT:

SCALE: 1:50

SHEET 3 OF 29

Foundation



Depth of oundation: 600mm

UNLESS OTHERWISE SPECIFIED:
DIMENSIONS ARE IN MILLIMETERS
WEIGHT ARE IN KILOGRAMM

PART NUMBER / DWG NO.:

LM217-1

	NAME	SIGNATURE	DATE	REVISION
DRAWN	I.Agar		11.11.2021	
APPV'D				

DESCRIPTION:

Play centre Hedvig



Tiptiptap OÜ

Tiptiptap OÜ
Veetorni 9,
Jüri alevik, Rae vald,
75301 Harjumaa

MATERIAL:

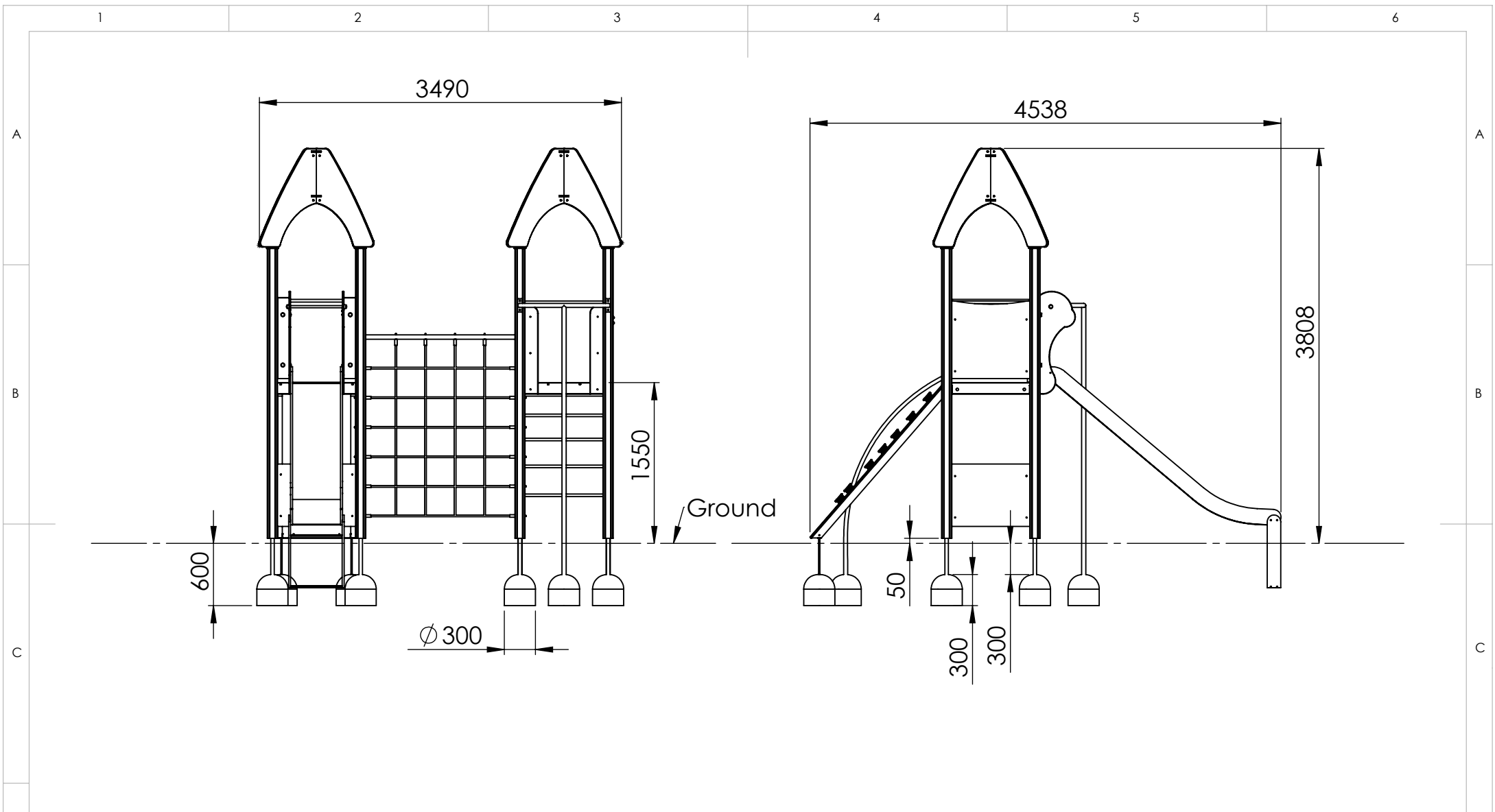
wood, metal, plastic


A4

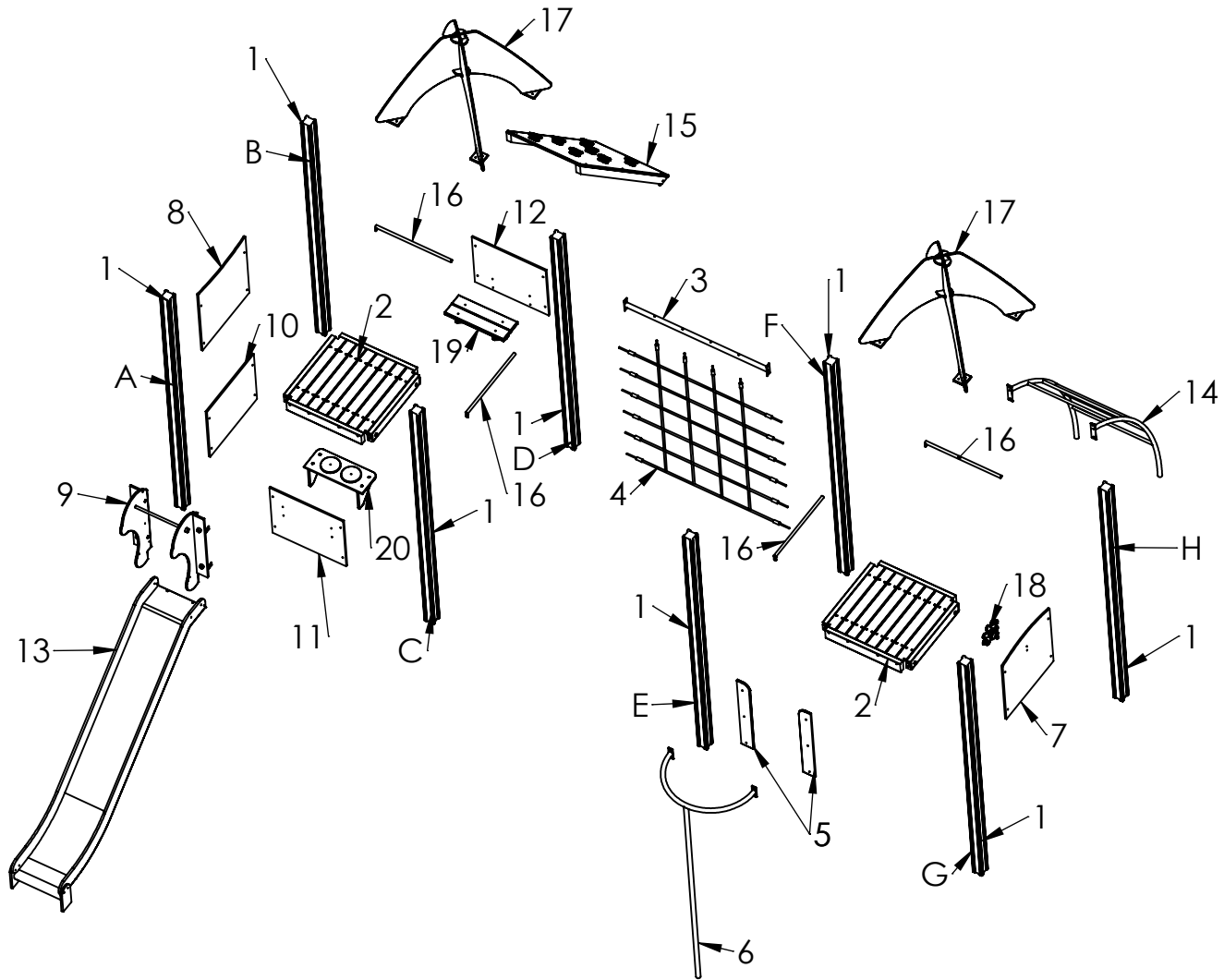
WEIGHT:

SCALE: 1:50

SHEET 4 OF 29



UNLESS OTHERWISE SPECIFIED: DIMENSIONS ARE IN MILLIMETERS WEIGHT ARE IN KILOGRAMM					PART NUMBER / DWG NO.: LM217-1	
	NAME	SIGNATURE	DATE	REVISION	DESCRIPTION: Play centre Hedvig	
DRAWN	I.Agar		11.11.2021		MATERIAL: wood, metal, plastic	
APPV'D					A4	
 Tiptiptap OÜ Tiptiptap OÜ Veetorni 9, Jüri alevik, Rae vald, 75301 Harjumaa					WEIGHT:	
					SCALE: 1:50	
					SHEET 5 OF 29	



UNLESS OTHERWISE SPECIFIED:
 DIMENSIONS ARE IN MILLIMETERS
 WEIGHT ARE IN KILOGRAMM

PART NUMBER / DWG NO.:
LM217-1


	NAME	SIGNATURE	DATE	REVISION
DRAWN	I.Agar		11.11.2021	
APPV'D				

DESCRIPTION:
Play centre Hedvig



Tiptaptap OÜ
 Tiptaptap OÜ
 Veetorni 9,
 Jüri alevik, Rae vald,
 75301 Harjumaa

MATERIAL:	wood, metal, plastic	A4
WEIGHT:		SCALE: 1:60
		SHEET 6 OF 29

	1	2	3	4	
	ITEM NO.	PART NUMBER	DESCRIPTION		
A	1	post 98x98x2800	laminated wood	8	
	2	platform	laminated wood, metal	2	
	3	LM217-1 Net tube	Painted steel	1	
	4	LM217-1 net 1450x1740	PP covered steel wire	1	
B	5	LM217-1 climbing pole side panel	HDPE plastic	2	
	6	Climbing pole for 1550 platform	Painted steel	1	
	7	Upward curved panel with wheel, lower hole 100mm	HDPE plastic	1	
C	8	downward curved panel, lower hole 70mm	HDPE plastic	1	
	9	slide guard block	HDPE plastic	1	
	10	rectangle panel, lower hole 85mm	HDPE plastic	1	
	11	rectangle panel with oven, lower hole 100mm	HDPE plastic	1	
D	12	rectangle panel with seat, lower hole 100mm	HDPE plastic	1	
	13	slide h_1550	stainless steel, HDPE plastic	1	
	14	Tube ladder	painted steel	1	
	15	LM217-1 climbing ramp	HDPE plastic	1	
E	16	Tube D25x770	Painted steel	4	
	17	Roof	HDPE plastic	2	
	18	captain wheel	HDPE plastic	1	
	19	playcorner-bench	laminated wood, HDPE plastic	1	
	20	Stove	HDPE plastic	1	
F	UNLESS OTHERWISE SPECIFIED: DIMENSIONS ARE IN MILLIMETERS WEIGHT ARE IN KILOGRAMM			PART NUMBER / DWG NO.: LM217-1	
		NAME	SIGNATURE	DATE	REVISION
	DRAWN	I.Agar		11.11.2021	
	APPV'D				
			DESCRIPTION: Play centre Hedvig		
 Tiptiptap OÜ Veetorni 9, Jüri alevik, Rae vald, 75301 Harjumaa			MATERIAL: wood, metal, plastic		A4
			WEIGHT:		SCALE: 1:60
					SHEET 7 OF 29

Aluminium post version!!!

A

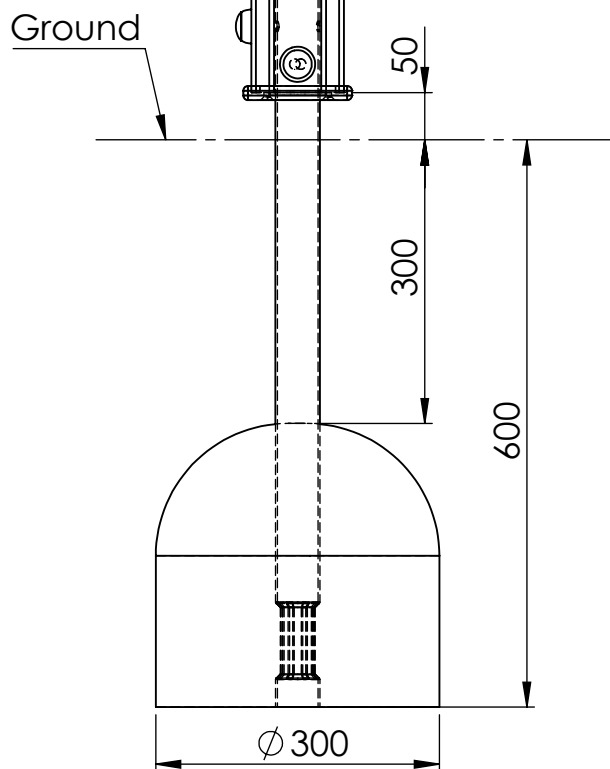
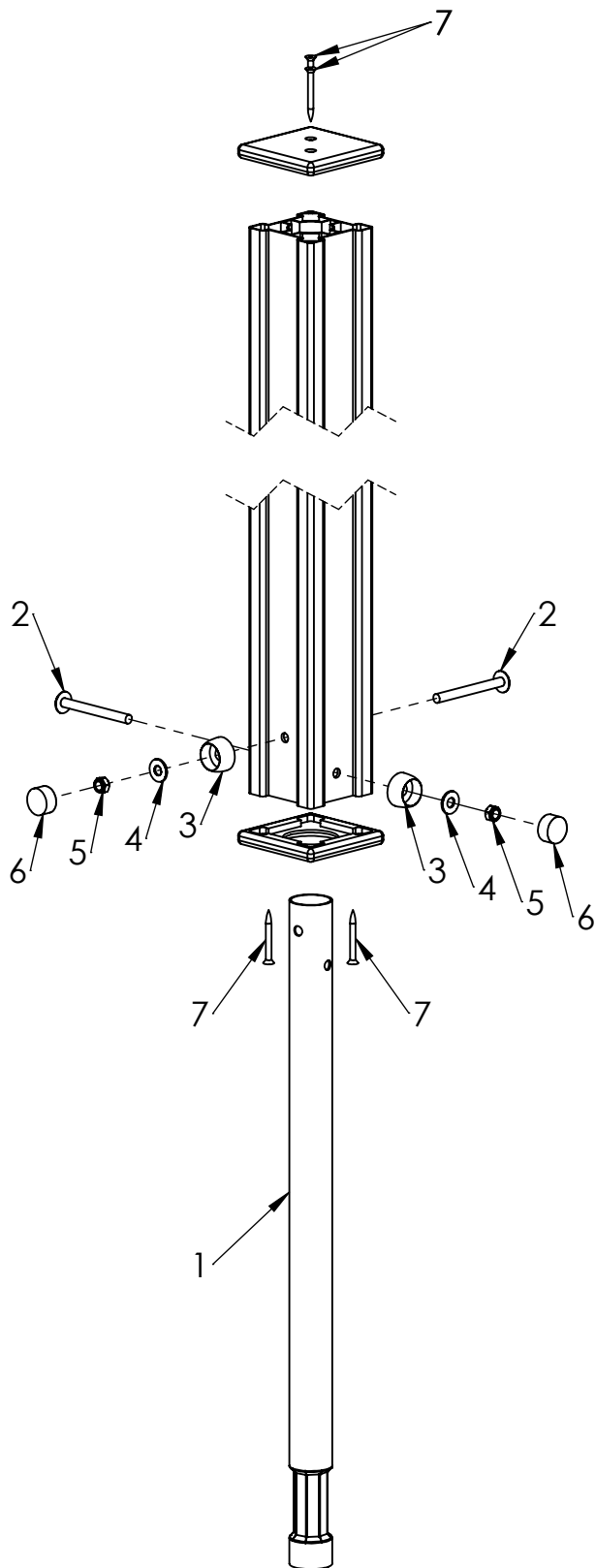
B

C

D

E

F



ITEM NO.	PART NUMBER
1	metal ground fixing L_750
2	bolt DIN603 M10x100
3	nut cover M12
4	Washer M10 DIN9054
5	nut DIN985 M10
6	nut cover cap M12
7	woodscrew 6x60

UNLESS OTHERWISE SPECIFIED:
DIMENSIONS ARE IN MILLIMETERS
WEIGHT ARE IN KILOGRAMM

PART NUMBER / DWG NO.:

LM217-1

	NAME	SIGNATURE	DATE	REVISION
DRAWN	I.Agar		11.11.2021	
APPV'D				

DESCRIPTION:

Play centre Hedvig
connecting metal ground fixing to aluminium post

MATERIAL:

wood, metal, plastic

A4

WEIGHT:

SCALE: 1:8

SHEET 8 OF 29

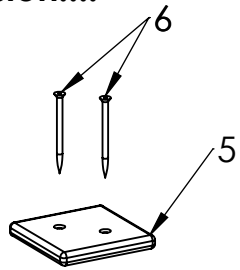


Tiptaptap OÜ

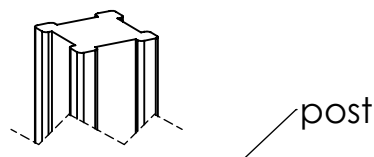
Tiptaptap OÜ
Veetorni 9,
Jüri alevik, Rae vald,
75301 Harjumaa

Wood post version!!!!

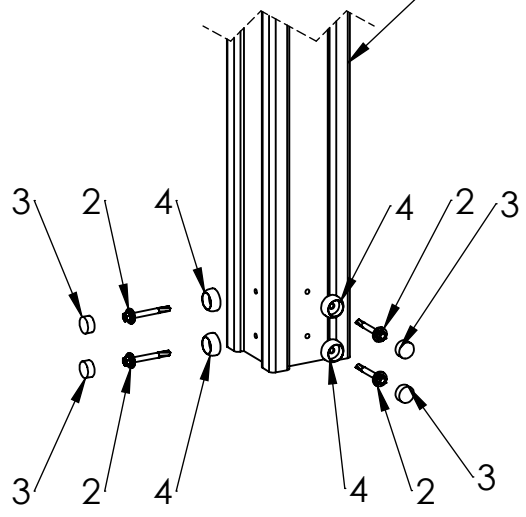
A



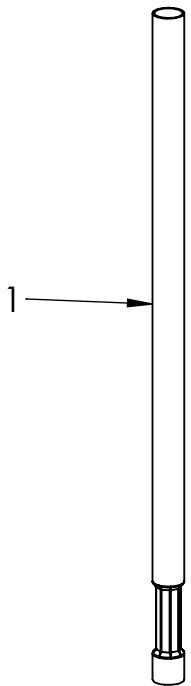
B



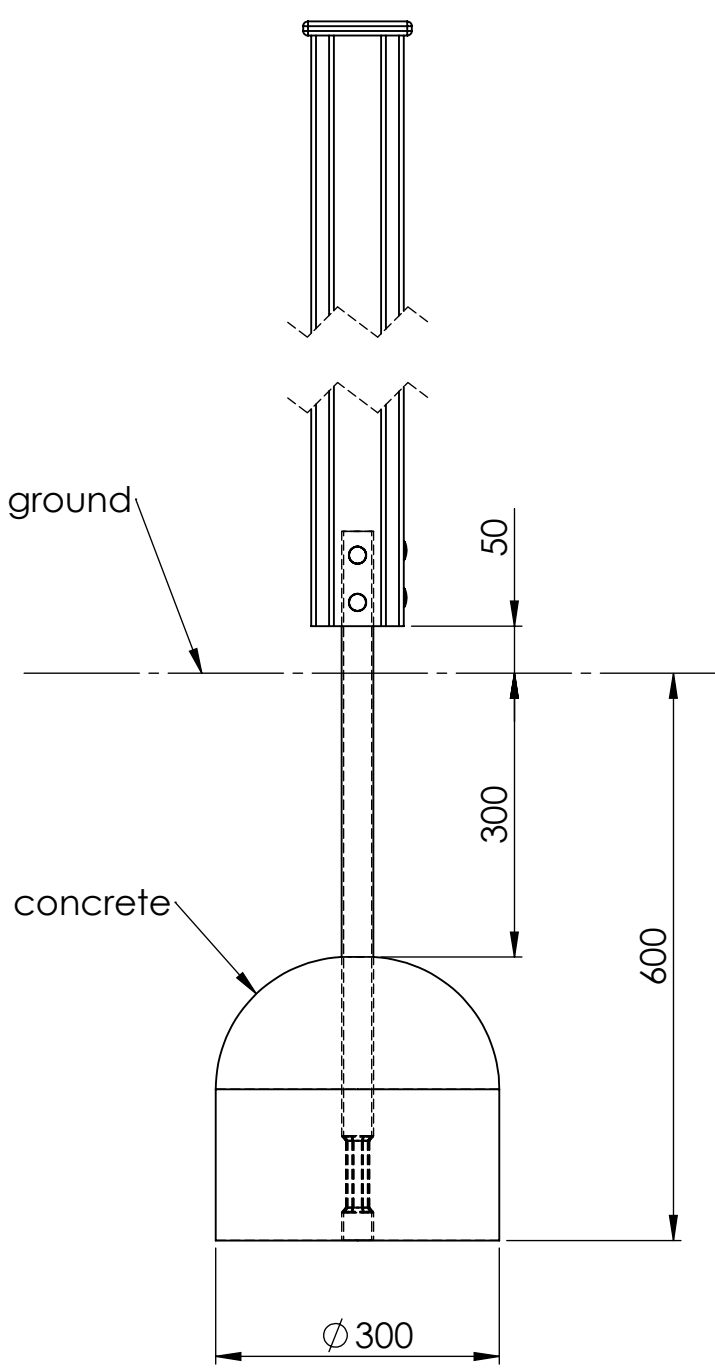
C



D



E



ITEM NO.	PART NUMBER
1	metal ground fixing L_750
2	screw DIN7504K 5,5x50
3	nut cover cap M6
4	nut cover M6
5	plastic cap 115x115
6	woodscrew 6 x 90

UNLESS OTHERWISE SPECIFIED:
DIMENSIONS ARE IN MILLIMETERS
WEIGHT ARE IN KILOGRAMM

PART NUMBER / DWG NO.:
LM217-1

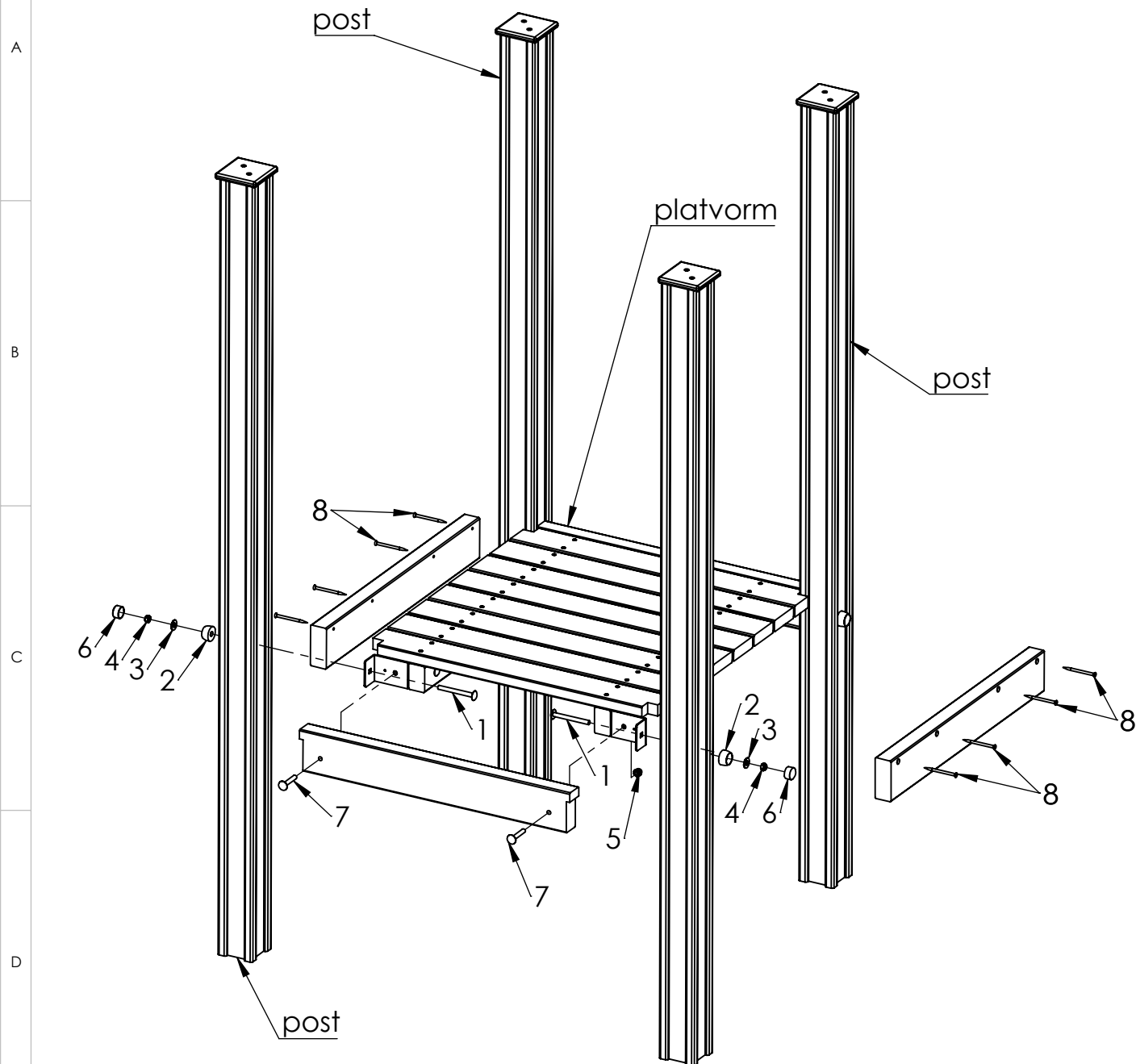
	NAME	SIGNATURE	DATE	REVISION
DRAWN	I.Agar		11.11.2021	
APPV'D				

DESCRIPTION:
**Play centre Hedvig
connecting metal ground fixing to post**



Tiptiptap OÜ
Veetorni 9,
Jüri alevik, Rae vald,
75301 Harjumaa

MATERIAL:	wood, metal, plastic	A4
WEIGHT:	SCALE: 1:8	SHEET 9 OF 29



ITEM NO.	PART NUMBER
1	bolt DIN603 M10x100
2	nut cover M12
3	Washer M10 DIN9054
4	nut DIN985 M10
5	domed cap nut DIN986 M10
6	nut cover cap M12
7	bolt DIN603 M10x60
8	Woodscrew 6 x 90

UNLESS OTHERWISE SPECIFIED:
DIMENSIONS ARE IN MILLIMETERS
WEIGHT ARE IN KILOGRAMM

PART NUMBER / DWG NO.:

LM217-1

	NAME	SIGNATURE	DATE	REVISION
DRAWN	I.Agar		11.11.2021	
APPV'D				

DESCRIPTION:

Play centre Hedvig
connecting platform to post

MATERIAL:

wood, metal, plastic

A4

WEIGHT:

SCALE: 1:15

SHEET 10 OF 29



Tiptiptap OÜ

Tiptiptap OÜ
Veetorni 9,
Jüri alevik, Rae vald,
75301 Harjumaa

A

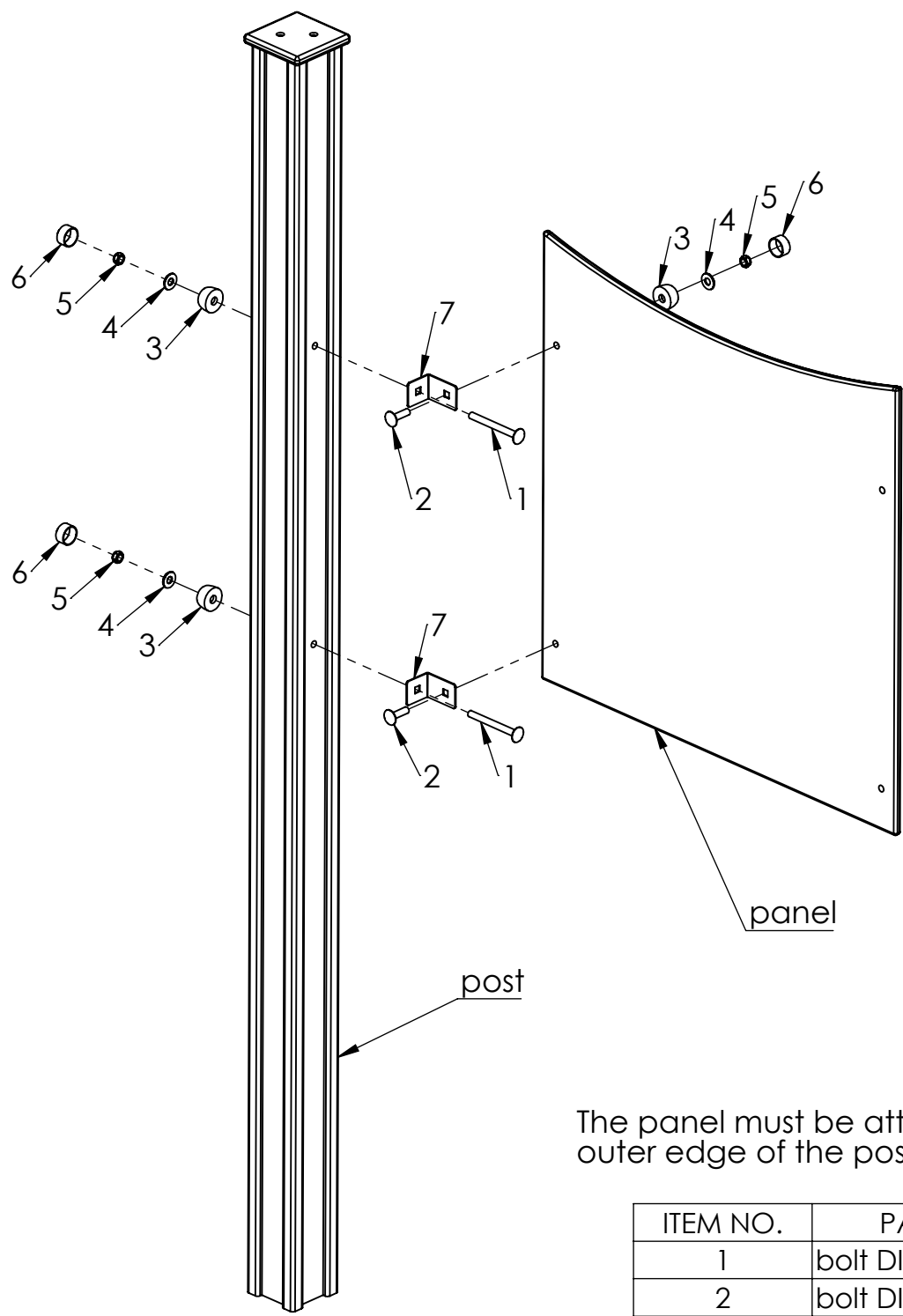
B

C

D

E

F



The panel must be attached to the outer edge of the post !!!

ITEM NO.	PART NUMBER
1	bolt DIN603 M10x100
2	bolt DIN603 M10x35
3	nut cover M12
4	Washer M10 DIN9054
5	nut DIN985 M10
6	nut cover cap M12
7	Corner 90° (45x60)

UNLESS OTHERWISE SPECIFIED:
DIMENSIONS ARE IN MILLIMETERS
WEIGHT ARE IN KILOGRAMM

PART NUMBER / DWG NO.:
LM217-1

	NAME	SIGNATURE	DATE	REVISION
DRAWN	I.Agar		11.11.2021	
APPV'D				

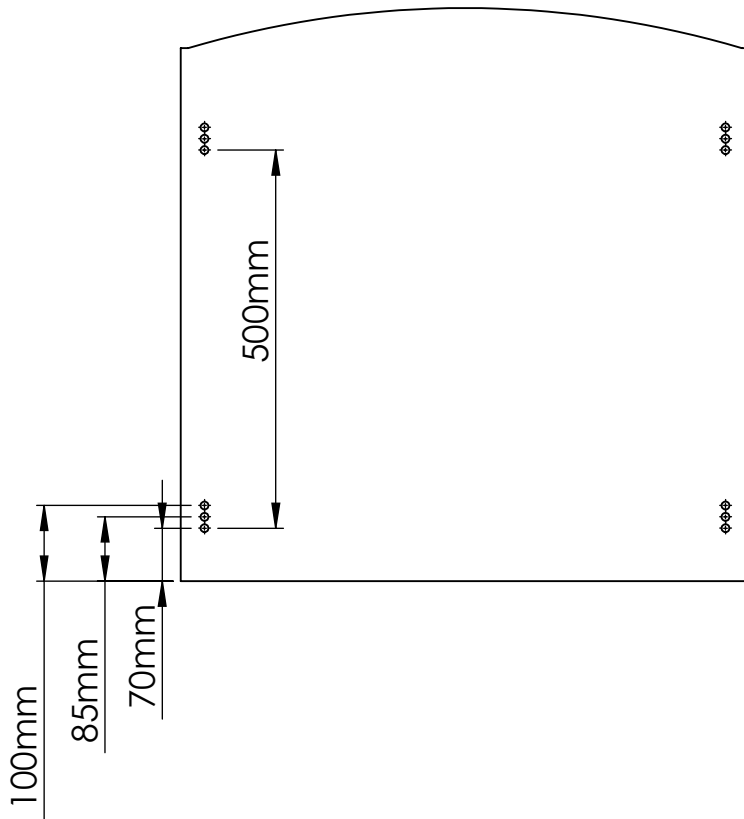
DESCRIPTION:
**Play centre Hedvig
connecting panel to post**



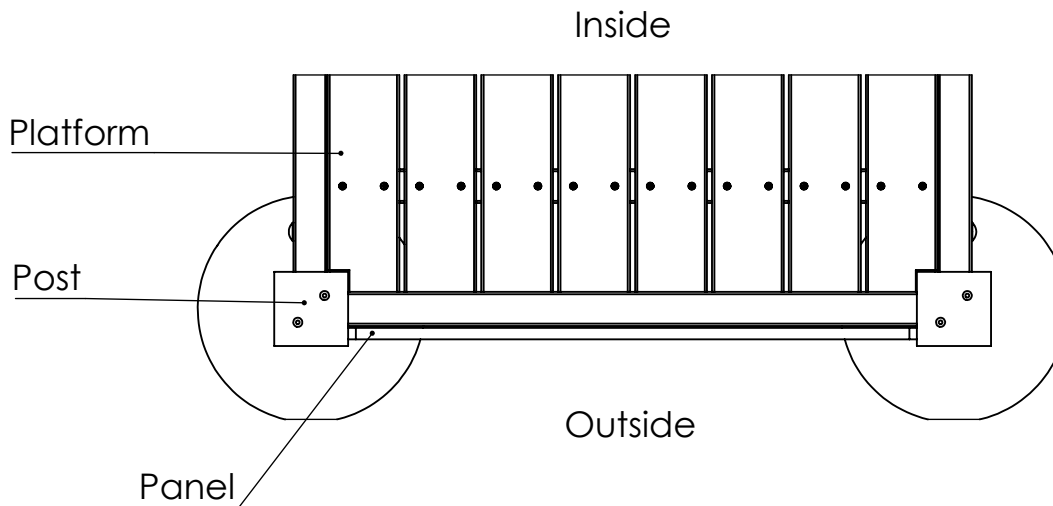
Tiptiptap OÜ
Veetorni 9,
Jüri alevik, Rae vald,
75301 Harjumaa

MATERIAL: wood, metal, plastic	A4
WEIGHT:	SCALE: 1:10
	SHEET 11 OF 29

Explanation of the `lower hole` behind the panel name:



The panel must be installed on the post as shown in the picture!



UNLESS OTHERWISE SPECIFIED:
DIMENSIONS ARE IN MILLIMETERS
WEIGHT ARE IN KILOGRAMM

PART NUMBER / DWG NO.:

LM217-1

	NAME	SIGNATURE	DATE	REVISION
DRAWN	I.Agar		11.11.2021	
APPV'D				

DESCRIPTION:

Play centre Hedvig
connecting panel to post



Tiptiptap OÜ

Tiptiptap OÜ
Veetorni 9,
Jüri alevik, Rae vald,
75301 Harjumaa

MATERIAL:

wood, metal, plastic

A4

WEIGHT:

SCALE: 1:10

SHEET 12 OF 29

A

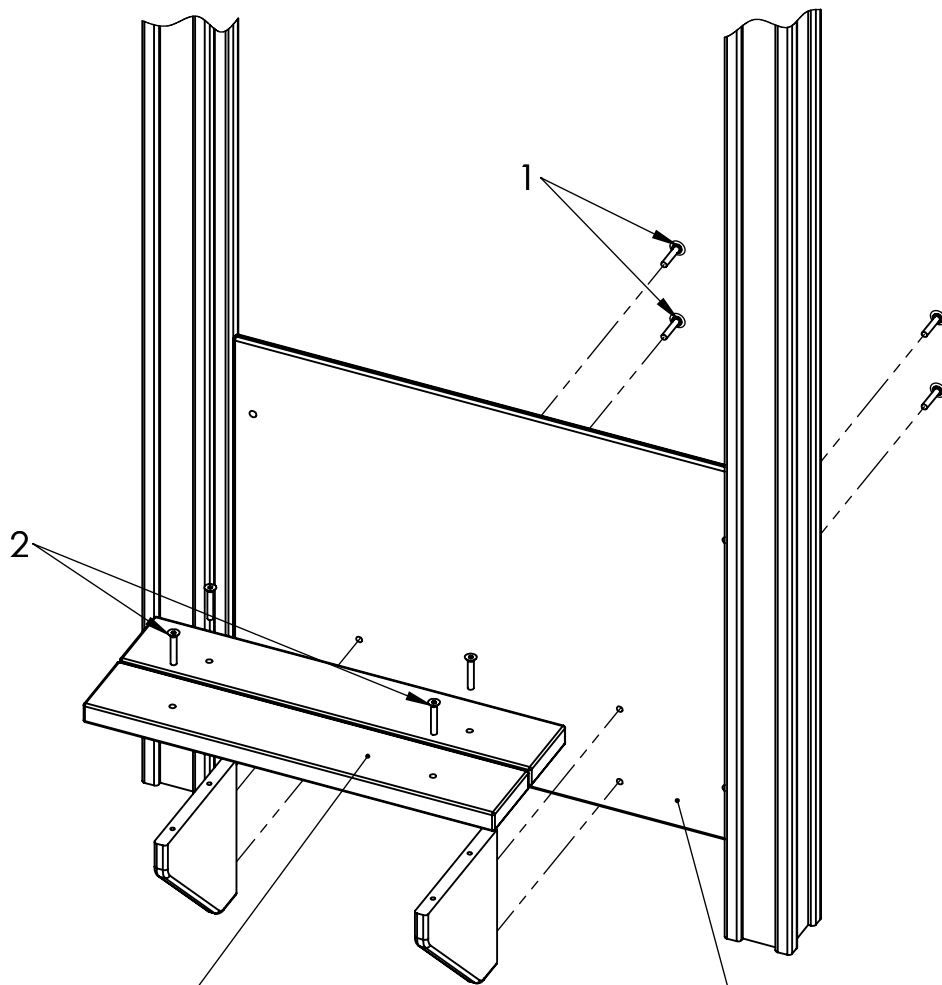
B

C

D

E

F



playcorner-bench

panel

ITEM NO.	PART NUMBER
1	Art. 9121 TX-PIN M8x40
2	DIN7991 M8x50

UNLESS OTHERWISE SPECIFIED:
 DIMENSIONS ARE IN MILLIMETERS
 WEIGHT ARE IN KILOGRAMM

PART NUMBER / DWG NO.:

LM217-1

	NAME	SIGNATURE	DATE	REVISION
DRAWN	I.Agar			
APPV'D				

DESCRIPTION:

Play centre Hedvig

MATERIAL:

wood, metal, plastic

A4

WEIGHT:

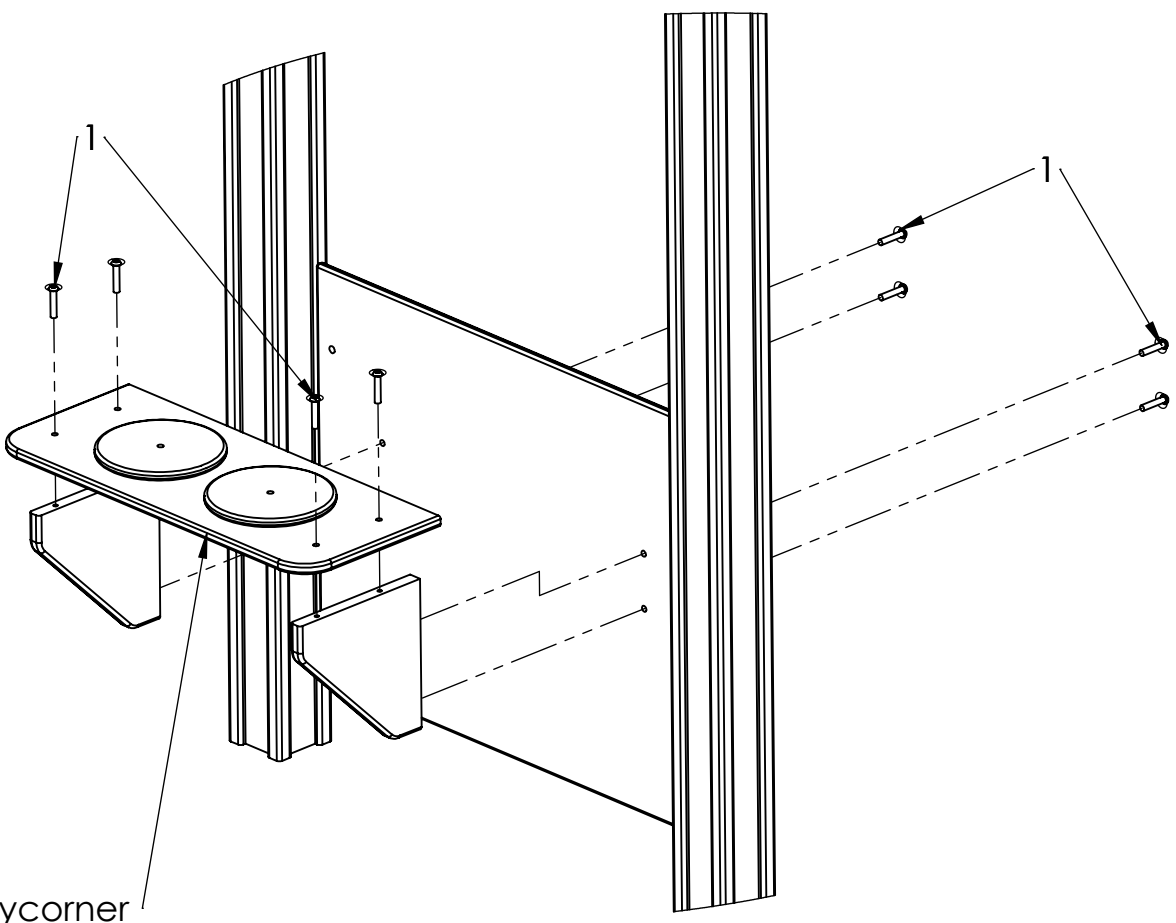
SCALE: 1:10

SHEET 13 OF 29



Tiptiptap OÜ

Tiptiptap OÜ
 Veetorni 9,
 Jüri alevik, Rae vald,
 75301 Harjumaa



Playcorner

A
B
C
D
E
F

ITEM NO.	PART NUMBER
1	Art. 9121 TX-PIN M8x40

UNLESS OTHERWISE SPECIFIED: DIMENSIONS ARE IN MILLIMETERS WEIGHT ARE IN KILOGRAMM				
	NAME	SIGNATURE	DATE	REVISION
DRAWN	I.Agar		11.11.2021	
APPV'D				

PART NUMBER / DWG NO.:	LM217-1
------------------------	---------

DESCRIPTION:	Play centre Hedvig connecting playcorner-kitchen to panel
--------------	--


Tiptaptap OÜ
 Veetorni 9,
 Jüri alevik, Rae vald,
 75301 Harjumaa

MATERIAL:	wood, metal, plastic	A4
WEIGHT:	SCALE: 1:10	SHEET 14 OF 29

A

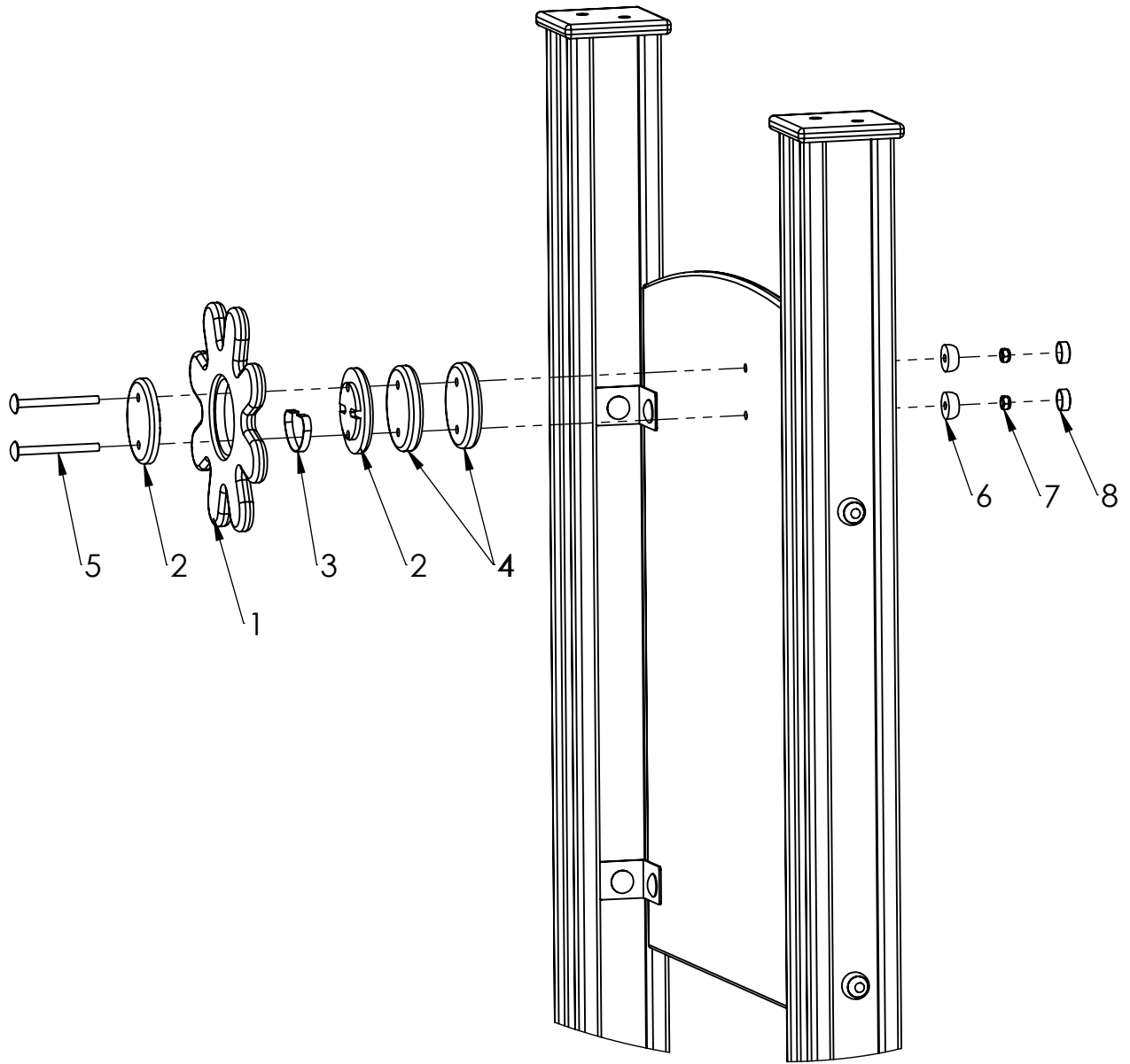
B

C

D

E

F



ITEM NO.	PART NUMBER
1	Captain wheel
2	Disk 90mm for spring
3	spring for wheel
4	Disk 90mm
5	bolt DIN603 M8x90
6	nut cover M8
7	nut DIN985 M8
8	nut cover cap M8

UNLESS OTHERWISE SPECIFIED:
 DIMENSIONS ARE IN MILLIMETERS
 WEIGHT ARE IN KILOGRAMM

PART NUMBER / DWG NO.:

LM217-1

	NAME	SIGNATURE	DATE	REVISION
DRAWN	I.Agar		11.11.2021	
APPV'D				

DESCRIPTION:

Play centre Hedvig
 Connecting wheel to panel



Tiptaptap OÜ

Tiptaptap OÜ
 Veetorni 9,
 Jüri alevik, Rae vald,
 75301 Harjumaa

MATERIAL:

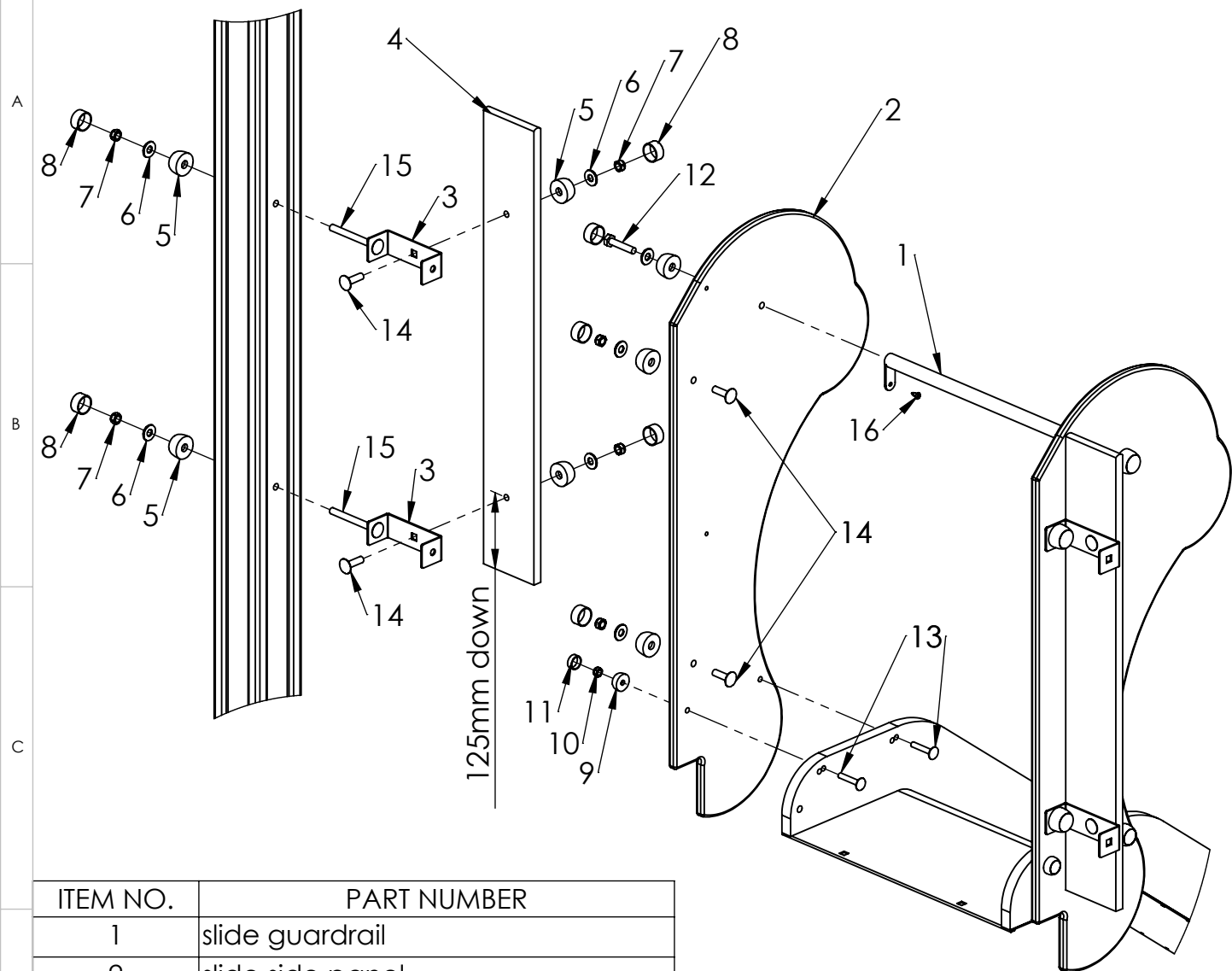
wood, metal, plastic

A4

WEIGHT:

SCALE: 1:7

SHEET 15 OF 29



ITEM NO.	PART NUMBER
1	slide guardrail
2	slide side panel
3	slide side panel fixing (45x123x45)
4	side panel 111x770mm
5	nut cover M12
6	Washer M10 DIN9054
7	nut DIN985 M10
8	nut cover cap M12
9	nut cover M8
10	nut DIN985 M8
11	nut cover cap M8
12	bolt DIN931 M10x50
13	bolt DIN603 M8x45
14	bolt DIN603 M10x35
15	bolt DIN603 M10x100
16	wood screw 4,8x13

UNLESS OTHERWISE SPECIFIED:
DIMENSIONS ARE IN MILLIMETERS
WEIGHT ARE IN KILOGRAMM

PART NUMBER / DWG NO.:

LM217-1

	NAME	SIGNATURE	DATE	REVISION
DRAWN	I.Agar		11.11.2021	
APPV'D				

DESCRIPTION:

Play centre Hedvig
Connecting slide guard block to post

MATERIAL:

wood, metal, plastic

A4

WEIGHT:

SCALE: 1:10

SHEET 16 OF 29



Tiptiptap OÜ

Tiptiptap OÜ
Veetorni 9,
Jüri alevik, Rae vald,
75301 Harjumaa

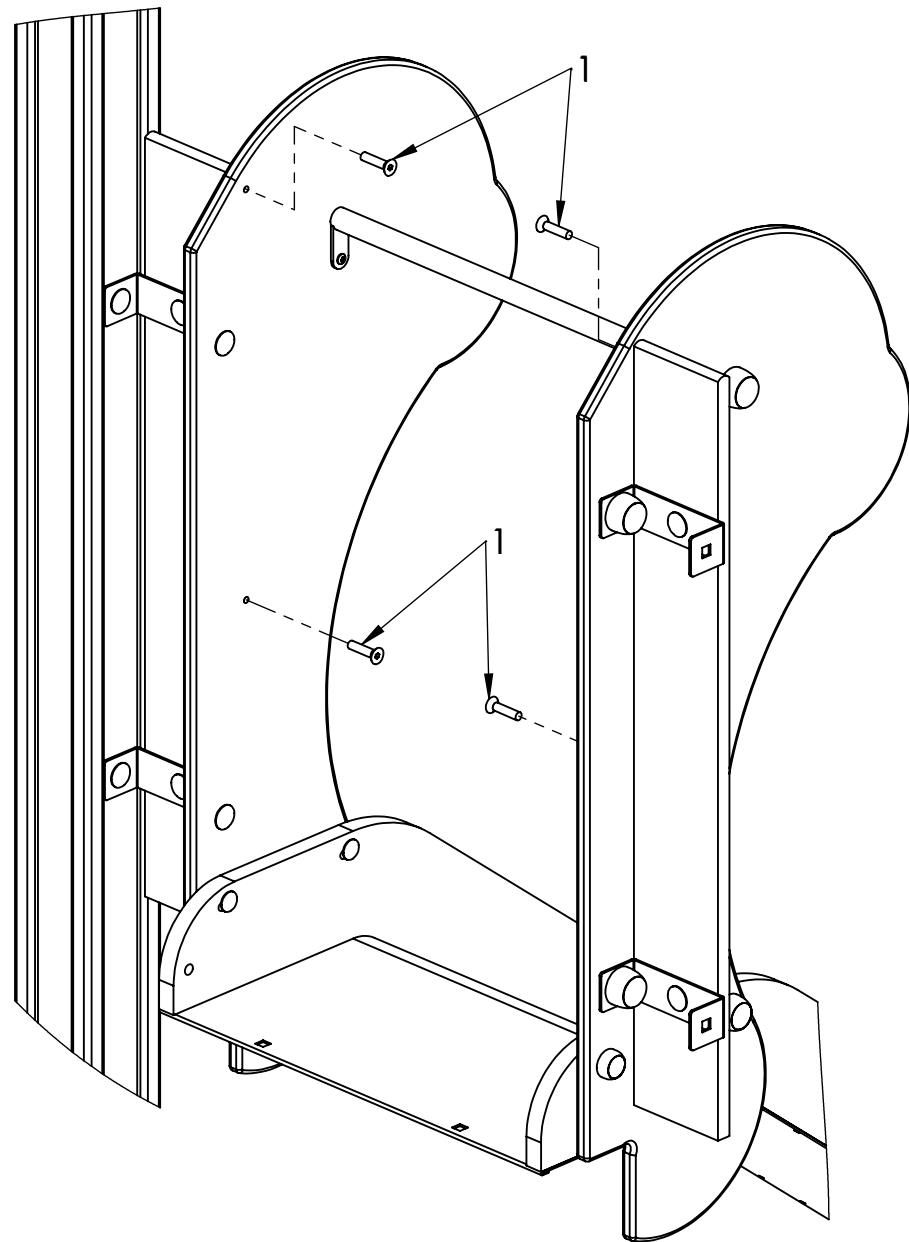
A

B

C

D

E



ITEM NO.	PART NUMBER
1	M6x35 DIN7991

UNLESS OTHERWISE SPECIFIED: DIMENSIONS ARE IN MILLIMETERS WEIGHT ARE IN KILOGRAMM				
	NAME	SIGNATURE	DATE	REVISION
DRAWN	I.Agar		11.11.2021	
APPV'D				

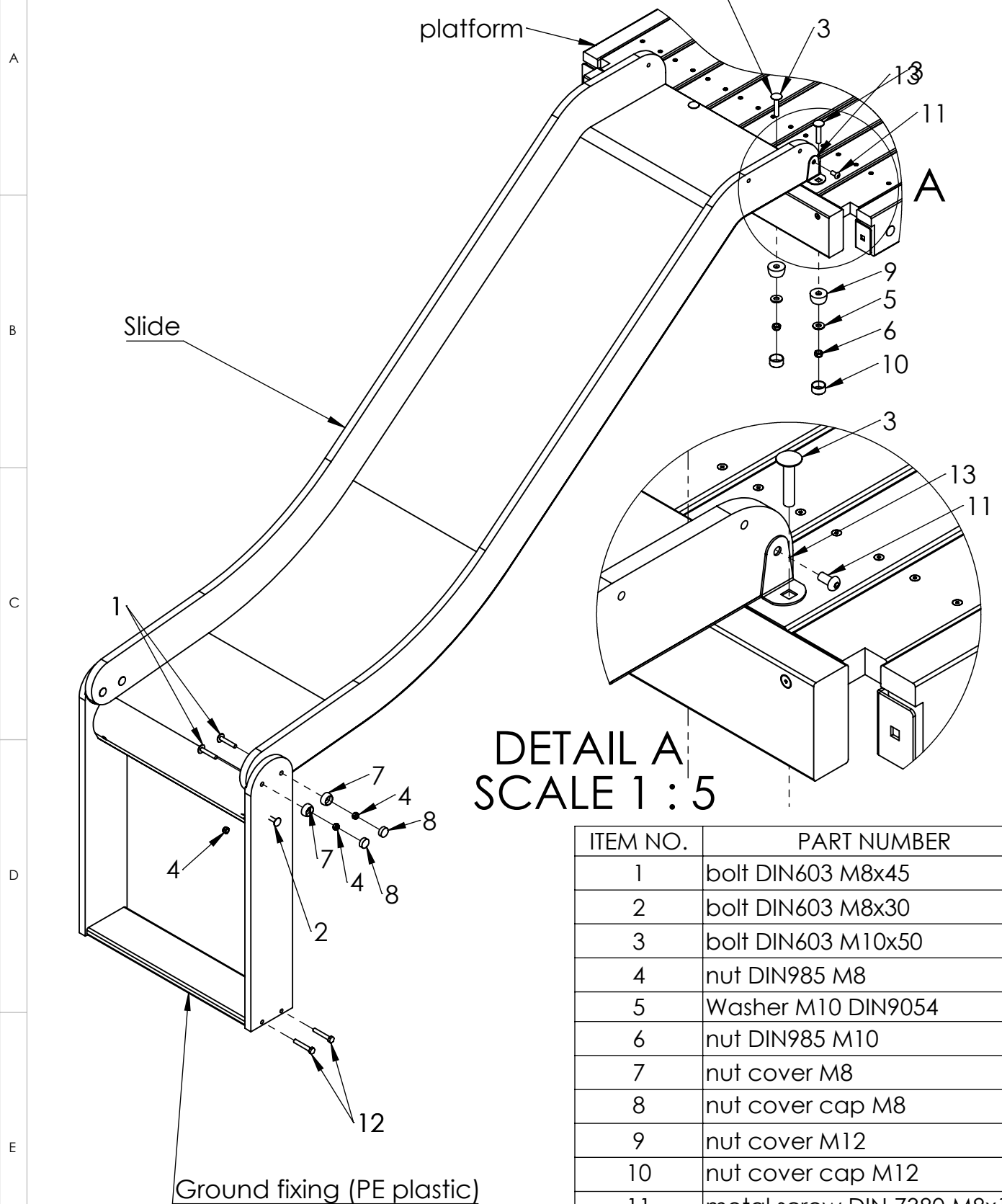
PART NUMBER / DWG NO.:	LM217-1
------------------------	---------

DESCRIPTION:	Play centre Hedvig Connecting slide guard block to post
--------------	--


Tiptiptap OÜ
 Veetorni 9,
 Jüri alevik, Rae vald,
 75301 Harjumaa

MATERIAL:	wood, metal, plastic	A4
WEIGHT:		SCALE: 1:7
		SHEET 17 OF 29

In the case of a plastic slide, this bolt is M10x60 DIN603



DETAIL A
SCALE 1 : 5

ITEM NO.	PART NUMBER
1	bolt DIN603 M8x45
2	bolt DIN603 M8x30
3	bolt DIN603 M10x50
4	nut DIN985 M8
5	Washer M10 DIN9054
6	nut DIN985 M10
7	nut cover M8
8	nut cover cap M8
9	nut cover M12
10	nut cover cap M12
11	metal screw DIN 7380 M8x16
12	bolt DIN933 M8x50
13	metal corner for slide

UNLESS OTHERWISE SPECIFIED:
DIMENSIONS ARE IN MILLIMETERS
WEIGHT ARE IN KILOGRAMM

PART NUMBER / DWG NO.:

LM217-1

	NAME	SIGNATURE	DATE	REVISION
DRAWN	I.Agar		11.11.2021	
APPV'D				

DESCRIPTION:

Play centre Hedvig
connecting slide to platform

MATERIAL:

wood, metal, plastic

A4

WEIGHT:

SCALE: 1:12

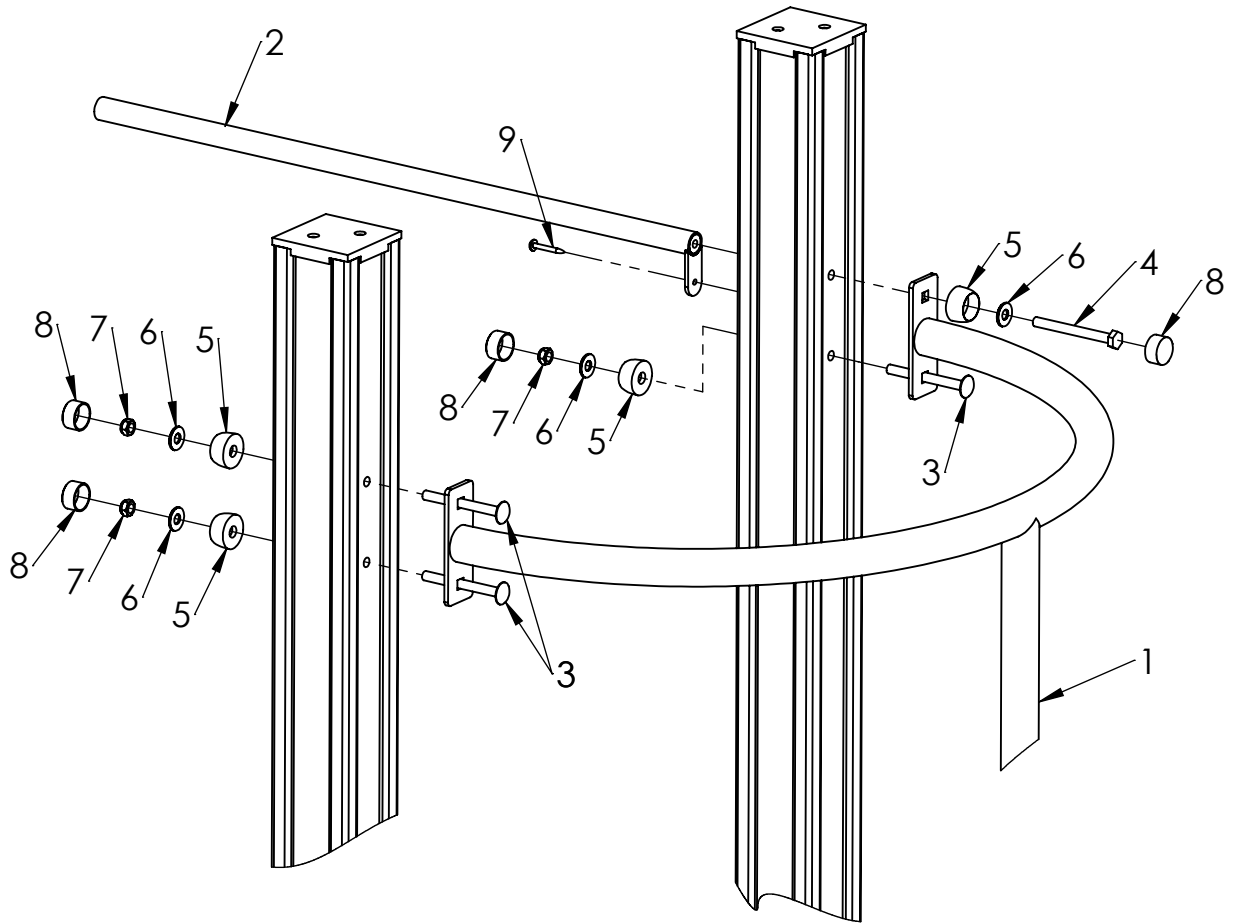
SHEET 18 OF 29



Tiptiptap OÜ

Tiptiptap OÜ
Veetorni 9,
Jüri alevik, Rae vald,
75301 Harjumaa

Wood post version



ITEM NO.	PART NUMBER
1	climbing pole
2	guardrail \varnothing 25x770
3	bolt DIN603 M10x100
4	bolt DIN931 M10x100
5	nut cover M12
6	Washer M10 DIN9054
7	nut DIN985 M10
8	nut cover cap M12
9	screw 5x40

UNLESS OTHERWISE SPECIFIED:
DIMENSIONS ARE IN MILLIMETERS
WEIGHT ARE IN KILOGRAMM

PART NUMBER / DWG NO.:

LM217-1

	NAME	SIGNATURE	DATE	REVISION
DRAWN	I.Agar			
APPV'D				

DESCRIPTION:

Play centre Hedvig
connecting climbing pole and quardrail to post

MATERIAL:

wood, metal, plastic

A4

WEIGHT:

SCALE: 1:8

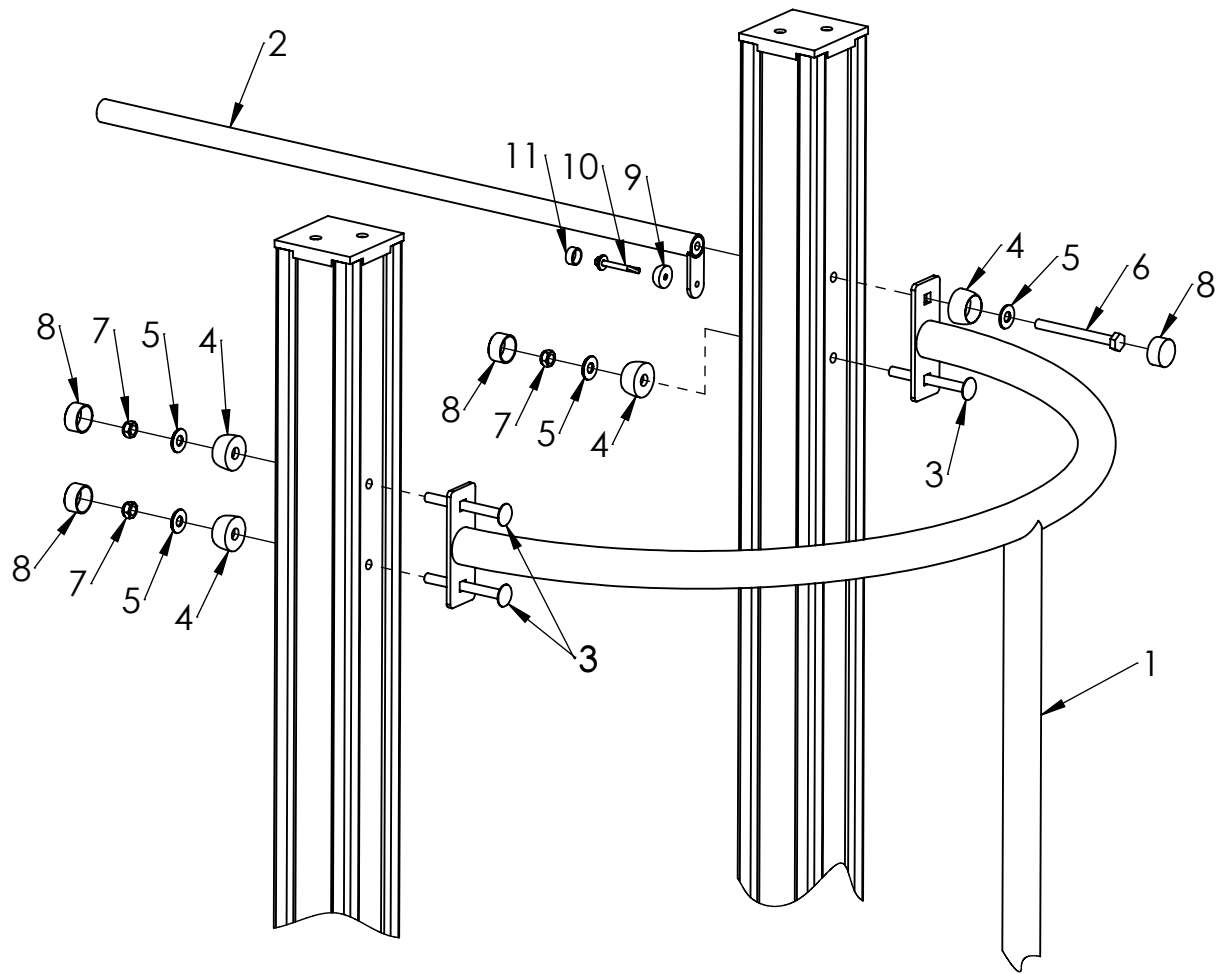
SHEET 19 OF 29



Tiptiptap OÜ

Tiptiptap OÜ
Veetorni 9,
Jüri alevik, Rae vald,
75301 Harjumaa

Aluminium post version



ITEM NO.	PART NUMBER
1	climbing pole
2	guardrail ϕ 25x770
3	bolt DIN603 M10x100
4	nut cover M12
5	Washer M10 DIN9054
6	bolt DIN931 M10x100
7	nut DIN985 M10
8	nut cover cap M12
9	nut cover M6
10	screw DIN7504K 5,5x50
11	nut cover cap M6

UNLESS OTHERWISE SPECIFIED:
DIMENSIONS ARE IN MILLIMETERS
WEIGHT ARE IN KILOGRAMM

PART NUMBER / DWG NO.:

LM217-1

	NAME	SIGNATURE	DATE	REVISION
DRAWN	I.Agar			
APPV'D				

DESCRIPTION:

Play centre Hedvig
connecting climbing pole and guardrail to post

MATERIAL:

wood, metal, plastic

A4

WEIGHT:

SCALE: 1:8

SHEET 20 OF 29



Tiptiptap OÜ

Tiptiptap OÜ
Veetorni 9,
Jüri alevik, Rae vald,
75301 Harjumaa

A

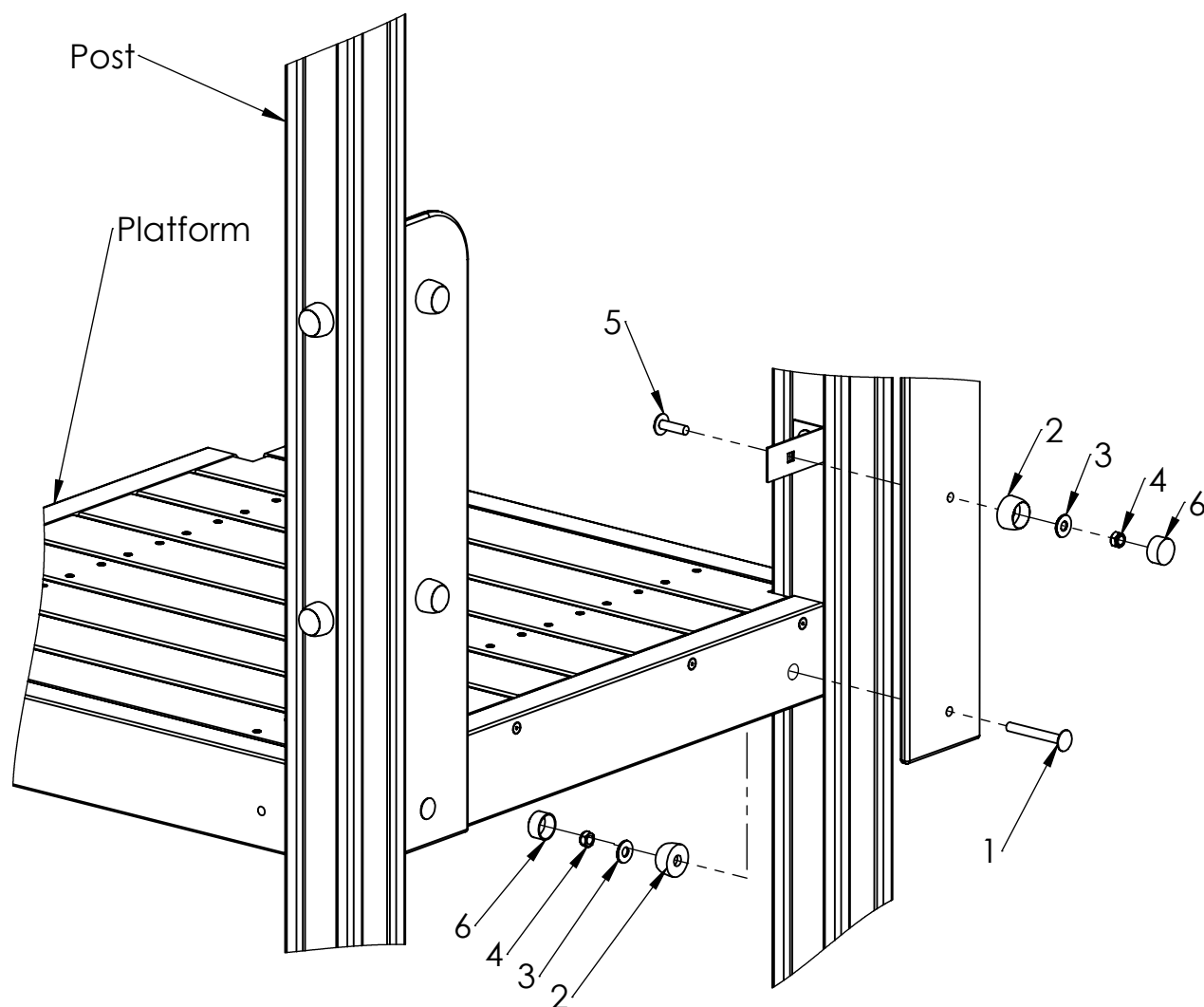
B

C

D

E

F



ITEM NO.	PART NUMBER
1	bolt DIN603 M10x80
2	nut cover M12
3	Washer M10 DIN9054
4	nut DIN985 M10
5	bolt DIN603 M10x35
6	nut cover cap M12

UNLESS OTHERWISE SPECIFIED:
DIMENSIONS ARE IN MILLIMETERS
WEIGHT ARE IN KILOGRAMM

PART NUMBER / DWG NO.:

LM217-1

	NAME	SIGNATURE	DATE	REVISION
DRAWN	I.Agar		11.11.2021	
APPV'D				

DESCRIPTION:

Play centre Hedvig
Connecting climbing pole side panel to post

MATERIAL:

wood, metal, plastic

A4

WEIGHT:

SCALE: 1:8

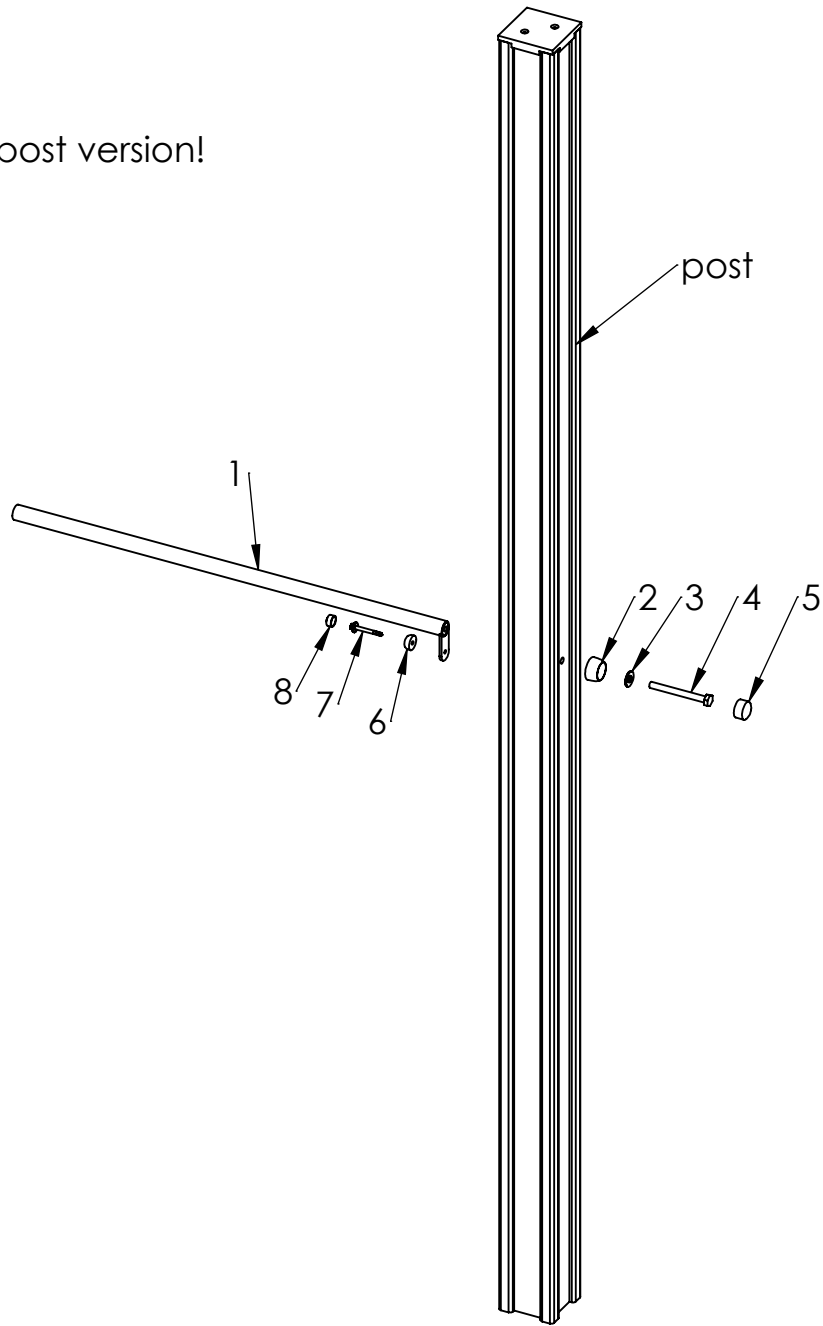
SHEET 21 OF 29



Tiptiptap OÜ

Tiptiptap OÜ
Veetorni 9,
Jüri alevik, Rae vald,
75301 Harjumaa

Aluminium post version!



ITEM NO.	PART NUMBER
1	guardrail ϕ 25x770
2	nut cover M12
3	Washer M10 DIN9054
4	bolt DIN931 M10x100
5	nut cover cap M12
6	nut cover M6
7	screw DIN7504K 5,5x50
8	nut cover cap M6

UNLESS OTHERWISE SPECIFIED:
DIMENSIONS ARE IN MILLIMETERS
WEIGHT ARE IN KILOGRAMM

PART NUMBER / DWG NO.:

LM217-1

	NAME	SIGNATURE	DATE	REVISION
DRAWN	I.Agar			
APPV'D				

DESCRIPTION:

Play centre Hedvig
connecting guardrail to post

MATERIAL:

wood, metal, plastic

A4

WEIGHT:

SCALE: 1:12

SHEET 22 OF 29



Tiptiptap OÜ

Tiptiptap OÜ
Veetorni 9,
Jüri alevik, Rae vald,
75301 Harjumaa

A

Wood post version!

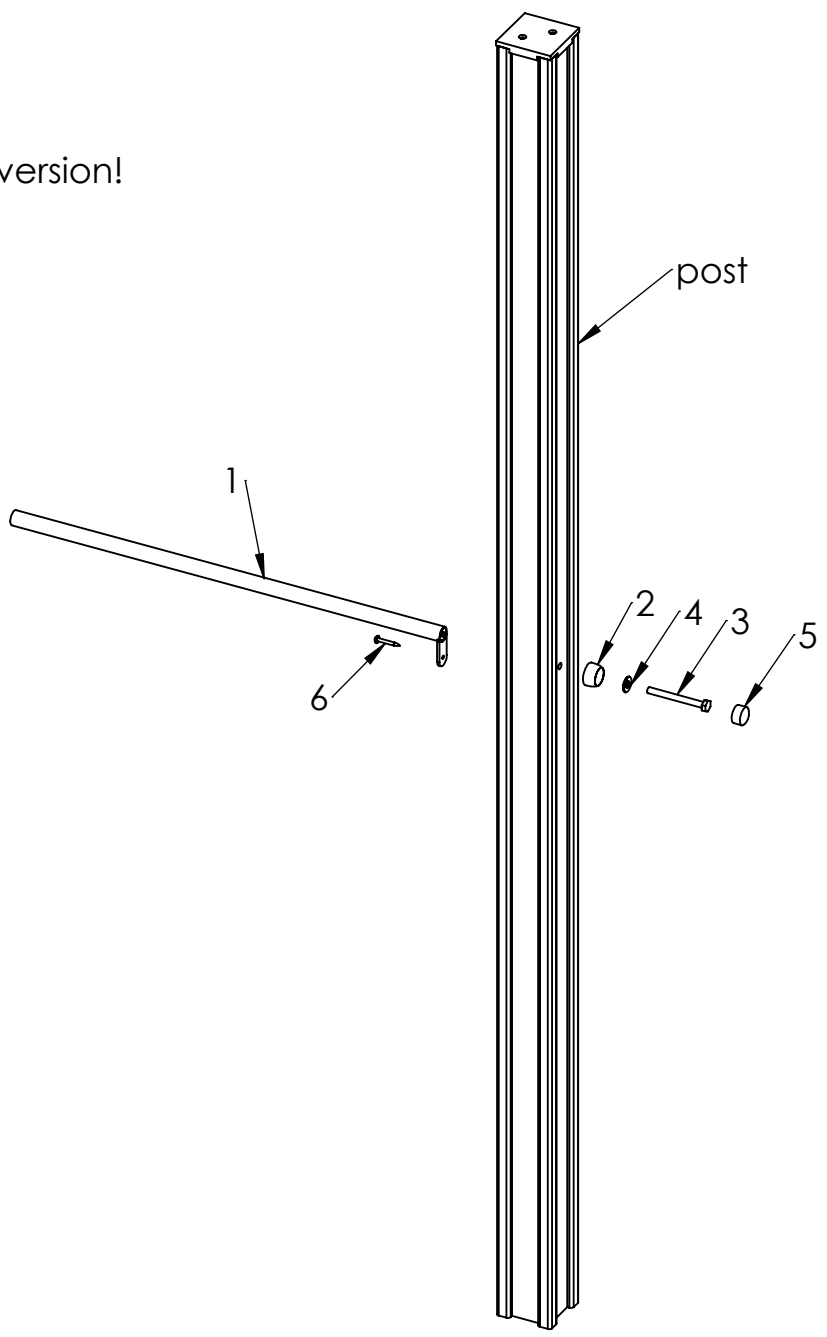
B

C

D

E

F



ITEM NO.	PART NUMBER
1	guardrail \varnothing 25x770
2	nut cover M12
3	bolt DIN931 M10x100
4	Washer M10 DIN9054
5	nut cover cap M12
6	screw 5x40

UNLESS OTHERWISE SPECIFIED: DIMENSIONS ARE IN MILLIMETERS WEIGHT ARE IN KILOGRAMM				
	NAME	SIGNATURE	DATE	REVISION
DRAWN	I.Agar			
APPV'D				

PART NUMBER / DWG NO.: **LM217-1**

DESCRIPTION:
**Play centre Hedvig
connecting guardrail to post**



Tiptiptap OÜ
Veetorni 9,
Jüri alevik, Rae vald,
75301 Harjumaa

MATERIAL:	wood, metal, plastic	A4
WEIGHT:	SCALE: 1:12	SHEET 23 OF 29

A

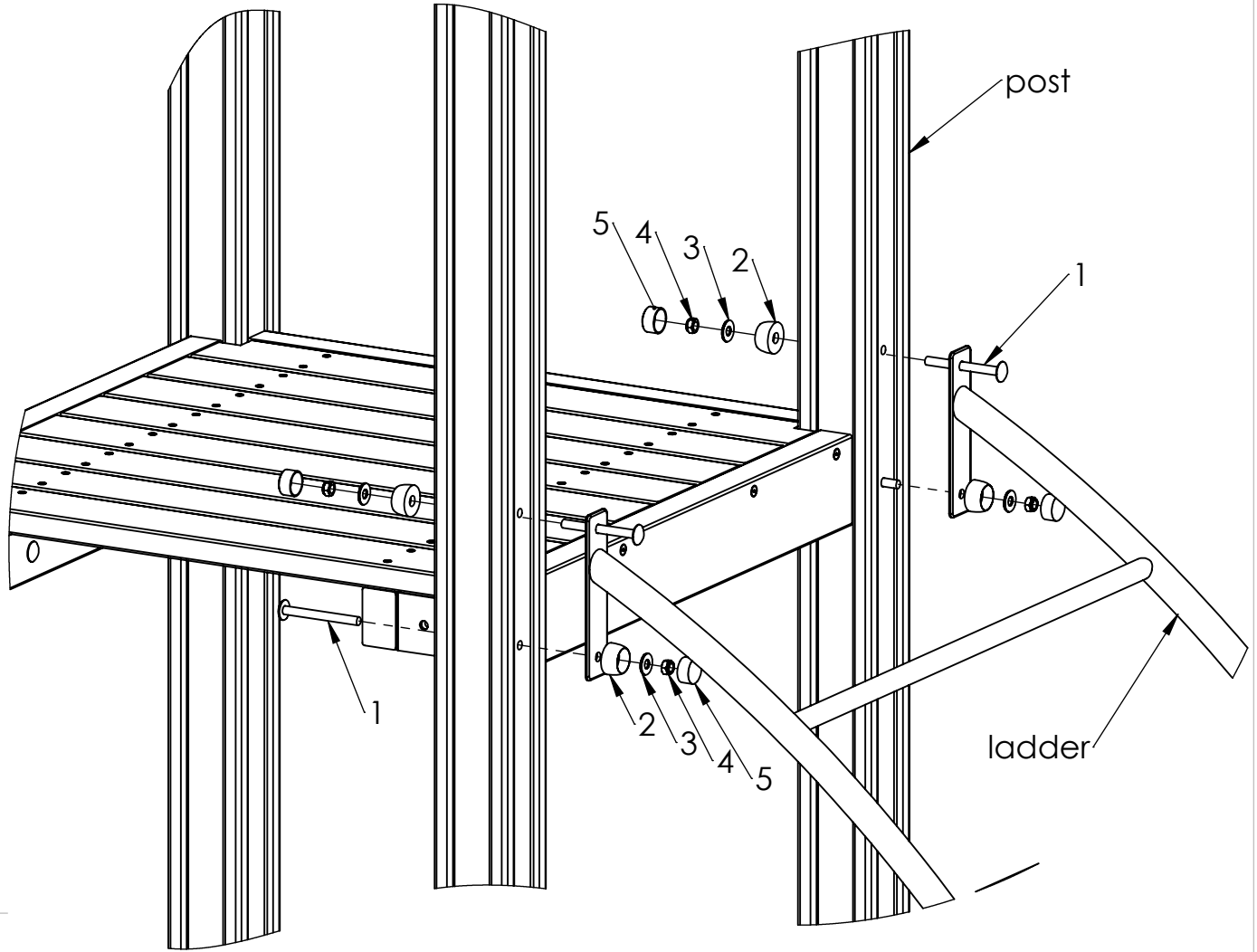
B

C

D

E

F



ITEM NO.	PART NUMBER
1	bolt DIN603 M10x100
2	nut cover M12
3	Washer M10 DIN9054
4	nut DIN985 M10
5	nut cover cap M12

UNLESS OTHERWISE SPECIFIED:
 DIMENSIONS ARE IN MILLIMETERS
 WEIGHT ARE IN KILOGRAMM

PART NUMBER / DWG NO.:

LM217-1

	NAME	SIGNATURE	DATE	REVISION
DRAWN	I.Agar			
APPV'D				

DESCRIPTION:

Play centre Hedvig
 connecting arch ladder to post

MATERIAL:

wood, metal, plastic

A4

WEIGHT:

SCALE: 1:10

SHEET 24 OF 29



Tiptiptap OÜ

Tiptiptap OÜ
 Veetorni 9,
 Jüri alevik, Rae vald,
 75301 Harjumaa

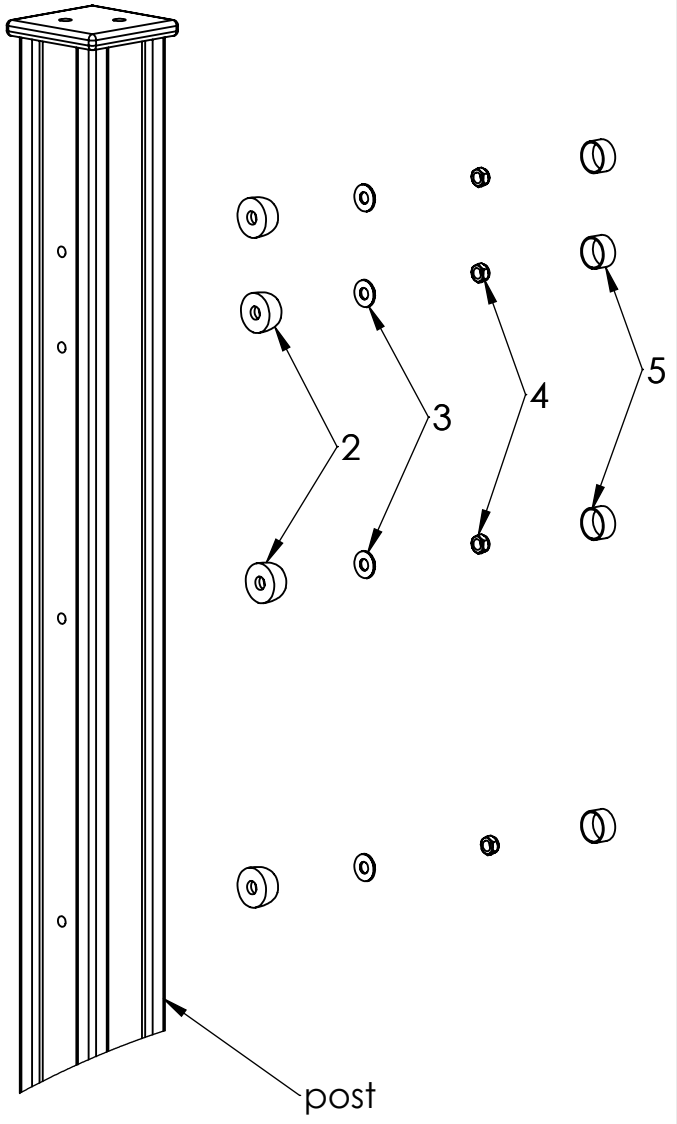
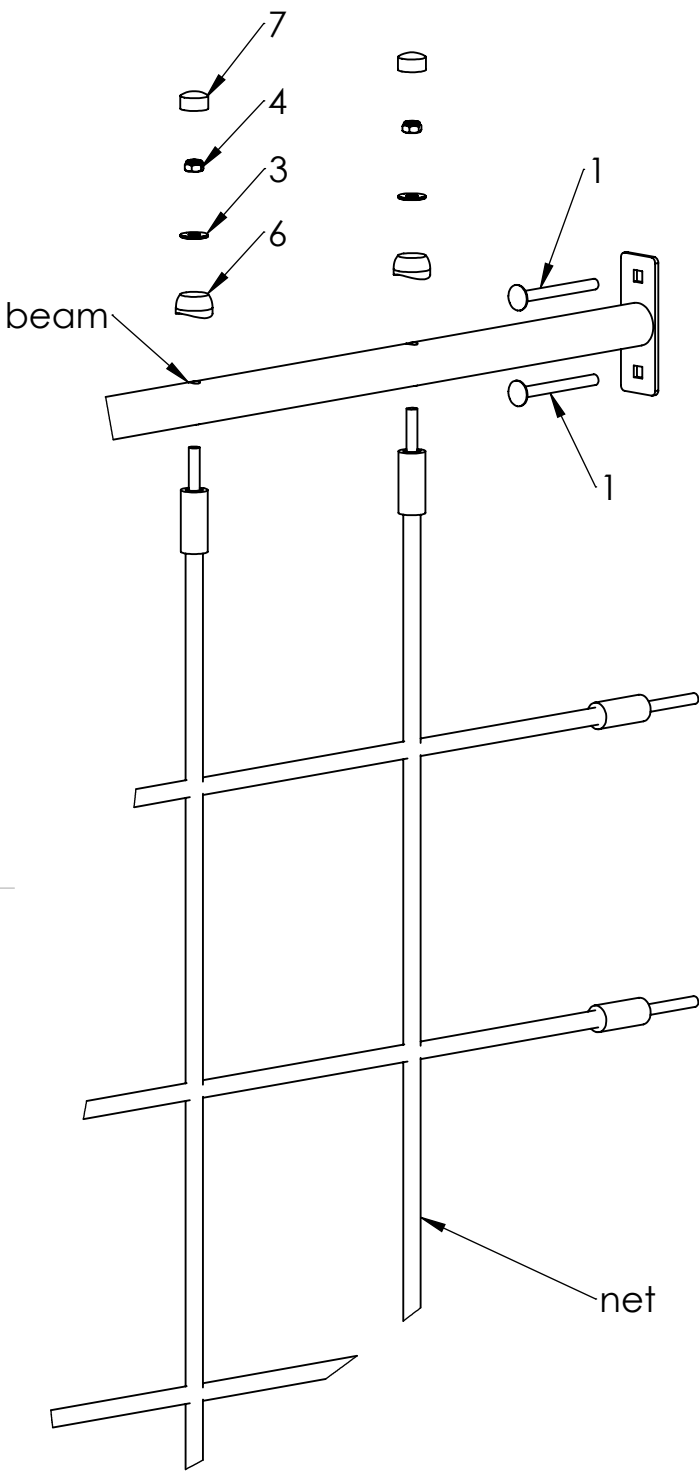
A

B

C

D

E



ITEM NO.	PART NUMBER
1	bolt DIN603 M10x100
2	nut cover M12
3	Washer M10 DIN9054
4	nut DIN985 M10
5	nut cover cap M12
6	nut cover for beam M10
7	nut cover cap M10

UNLESS OTHERWISE SPECIFIED:
 DIMENSIONS ARE IN MILLIMETERS
 WEIGHT ARE IN KILOGRAMM

PART NUMBER / DWG NO.:
LM217-1

	NAME	SIGNATURE	DATE	REVISION
DRAWN	I.Agar			
APPV'D				

DESCRIPTION:
Play centre Hedvig
 Connecting beam and climbing net to post



Tiptiptap OÜ
 Veetorni 9,
 Jüri alevik, Rae vald,
 75301 Harjumaa

MATERIAL: wood, metal, plastic	A4
WEIGHT:	SCALE: 1:7
	SHEET 25 OF 29

A

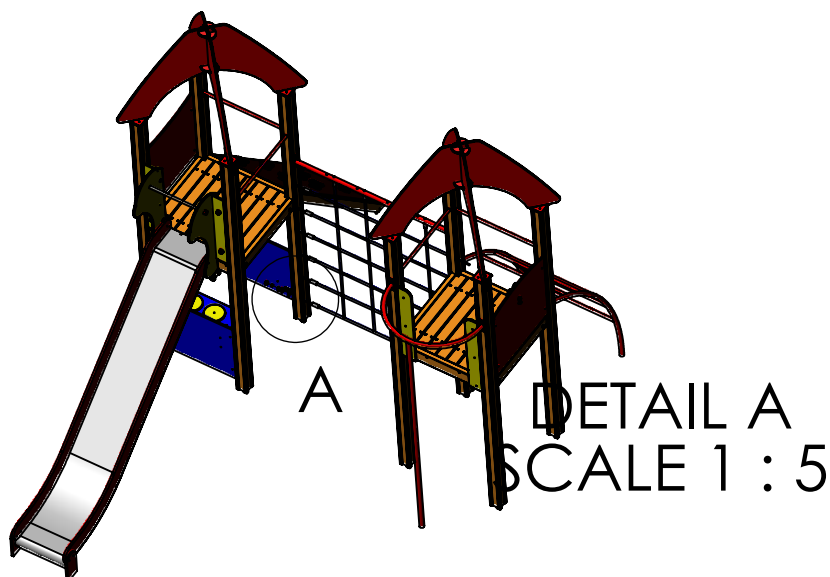
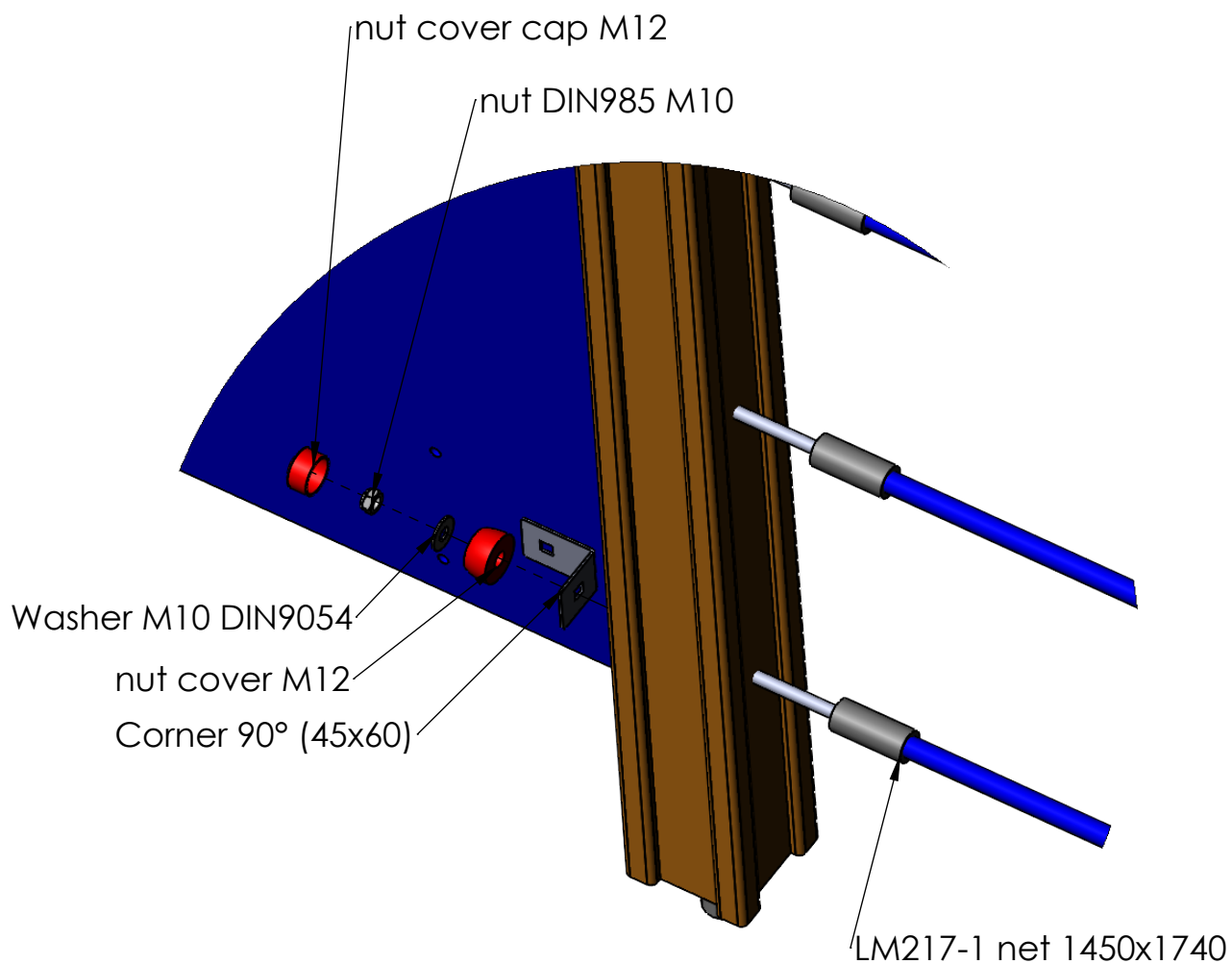
B

C

D

E

F



UNLESS OTHERWISE SPECIFIED:
DIMENSIONS ARE IN MILLIMETERS
WEIGHT ARE IN KILOGRAMM

PART NUMBER / DWG NO.:

LM217-1

	NAME	SIGNATURE	DATE	REVISION
DRAWN	I.Agar		11.11.2021	
APPV'D				

DESCRIPTION:

Play centre Hedvig

MATERIAL:

wood, metal, plastic

A4

WEIGHT:

SCALE: 1:60

SHEET 26 OF 29



Tiptiptap OÜ

Tiptiptap OÜ
Veetorni 9,
Jüri alevik, Rae vald,
75301 Harjumaa

A

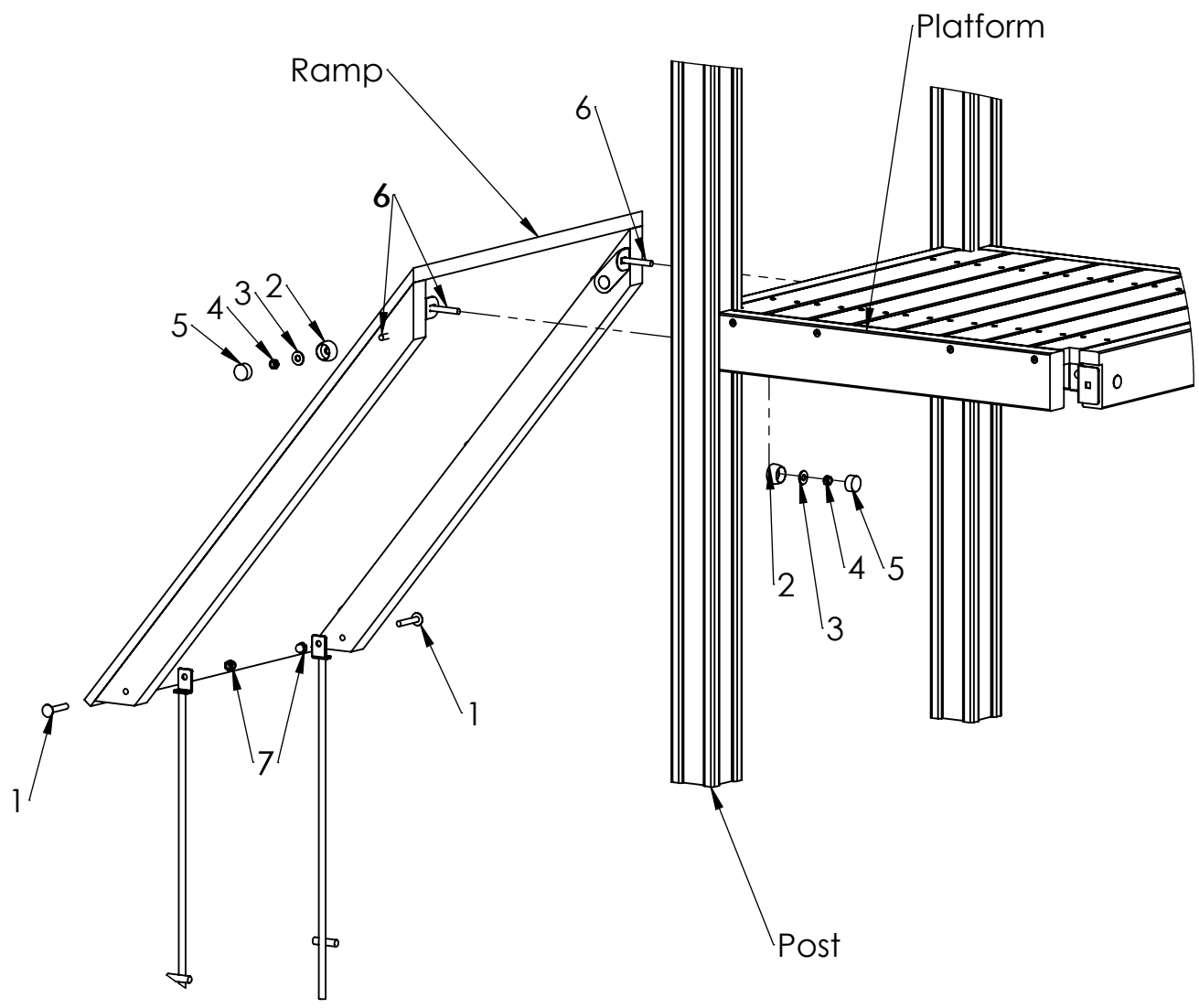
B

C

D

E

F



ITEM NO.	PART NUMBER
1	bolt DIN603 M10x60
2	nut cover M12
3	Washer M10 DIN9054
4	nut DIN985 M10
5	nut cover cap M12
6	bolt DIN603 M10x65
7	domed cap nut DIN986 M10

UNLESS OTHERWISE SPECIFIED:
DIMENSIONS ARE IN MILLIMETERS
WEIGHT ARE IN KILOGRAMM

	NAME	SIGNATURE	DATE	REVISION
DRAWN	I.Agar		11.11.2021	
APPV'D				

PART NUMBER / DWG NO.:
LM217-1

DESCRIPTION:
**Play centre Hedvig
connecting ramp to platform**



Tiptiptap OÜ
Veetorni 9,
Jüri alevik, Rae vald,
75301 Harjumaa

MATERIAL: wood, metal, plastic	A4
WEIGHT:	SCALE: 1:13
	SHEET 27 OF 29

A

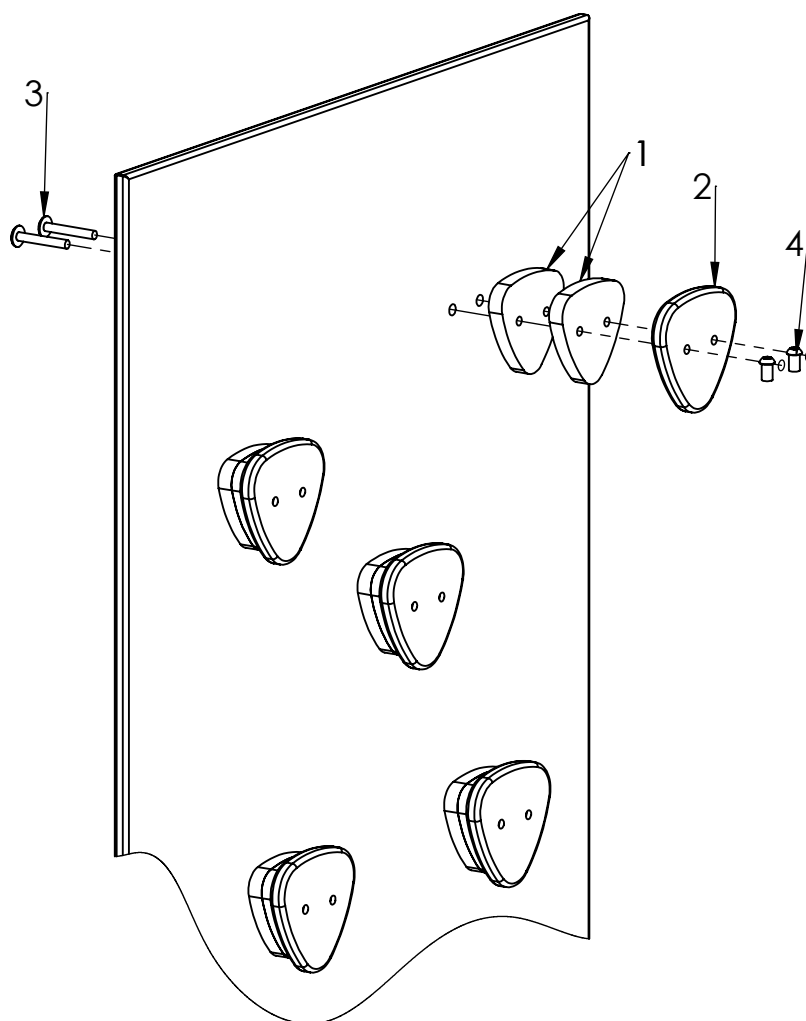
B

C

D

E

F



ITEM NO.	PART NUMBER
1	climbing grip base
2	climbing grip
3	bolt DIN603 M8x60
4	M8 safety nut

UNLESS OTHERWISE SPECIFIED:
DIMENSIONS ARE IN MILLIMETERS
WEIGHT ARE IN KILOGRAMM

PART NUMBER / DWG NO.:

LM217-1

	NAME	SIGNATURE	DATE	REVISION
DRAWN	I.Agar			
APPV'D				

DESCRIPTION:

Play centre Hedvig
Assembling climbing grip to ramp

MATERIAL:

wood, metal, plastic

A4

WEIGHT:

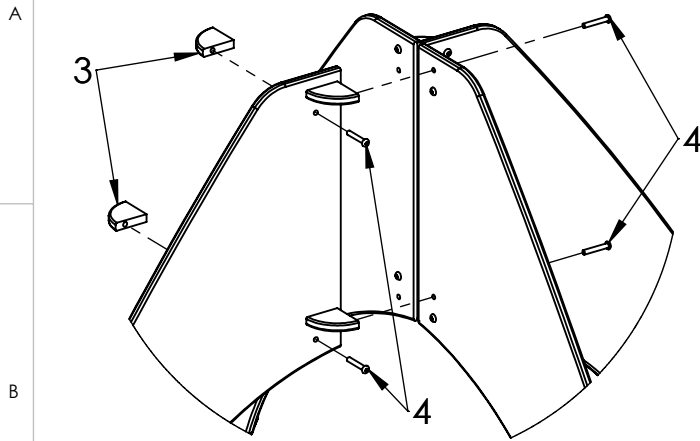
SCALE: 1:7

SHEET 28 OF 29

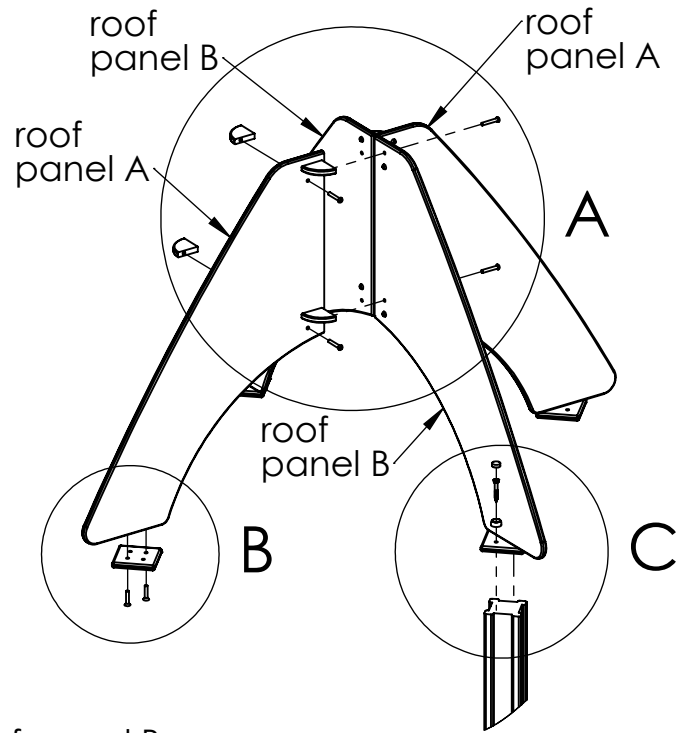


Tiptiptap OÜ

Tiptiptap OÜ
Veetorni 9,
Jüri alevik, Rae vald,
75301 Harjumaa

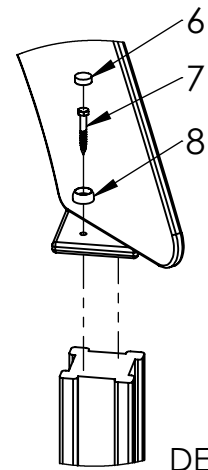
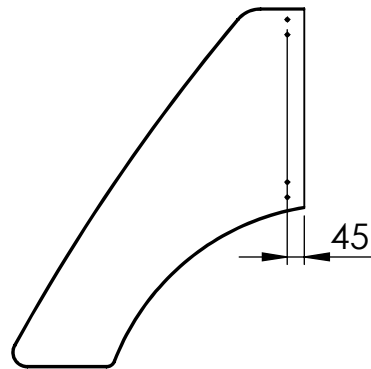
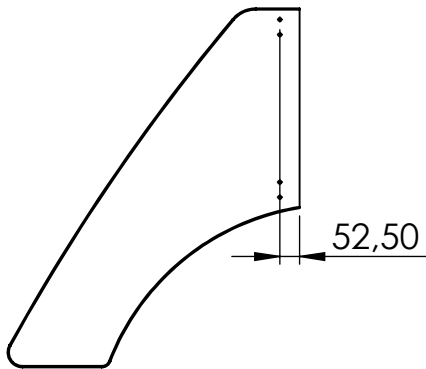


DETAIL A
SCALE 1 : 13

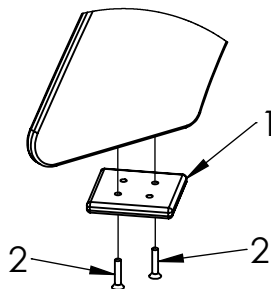


roof panel A

roof panel B



DETAIL C
SCALE 1 : 10



DETAIL B
SCALE 1 : 10

ITEM NO.	PART NUMBER
1	plastic cap 115x115 for roof
2	M8x40 DIN7991
3	plastic corner 90°
4	metal screw DIN 7380 M8x40
5	plastic cap 115x115
6	nut cover cap M8
7	wood screw DIN571 8x60
8	nut cover M8

UNLESS OTHERWISE SPECIFIED:
DIMENSIONS ARE IN MILLIMETERS
WEIGHT ARE IN KILOGRAMM

PART NUMBER / DWG NO.:

LM217-1

	NAME	SIGNATURE	DATE	REVISION
DRAWN	I.Agar		11.11.2021	
APPV'D				

DESCRIPTION:

Play centre Hedvig
roof assembly

MATERIAL:

wood, metal, plastic

A4

WEIGHT:

SCALE: 1:50

SHEET 29 OF 29



Tiptiptap OÜ

Tiptiptap OÜ
Veetorni 9,
Jüri alevik, Rae vald,
75301 Harjumaa