

A

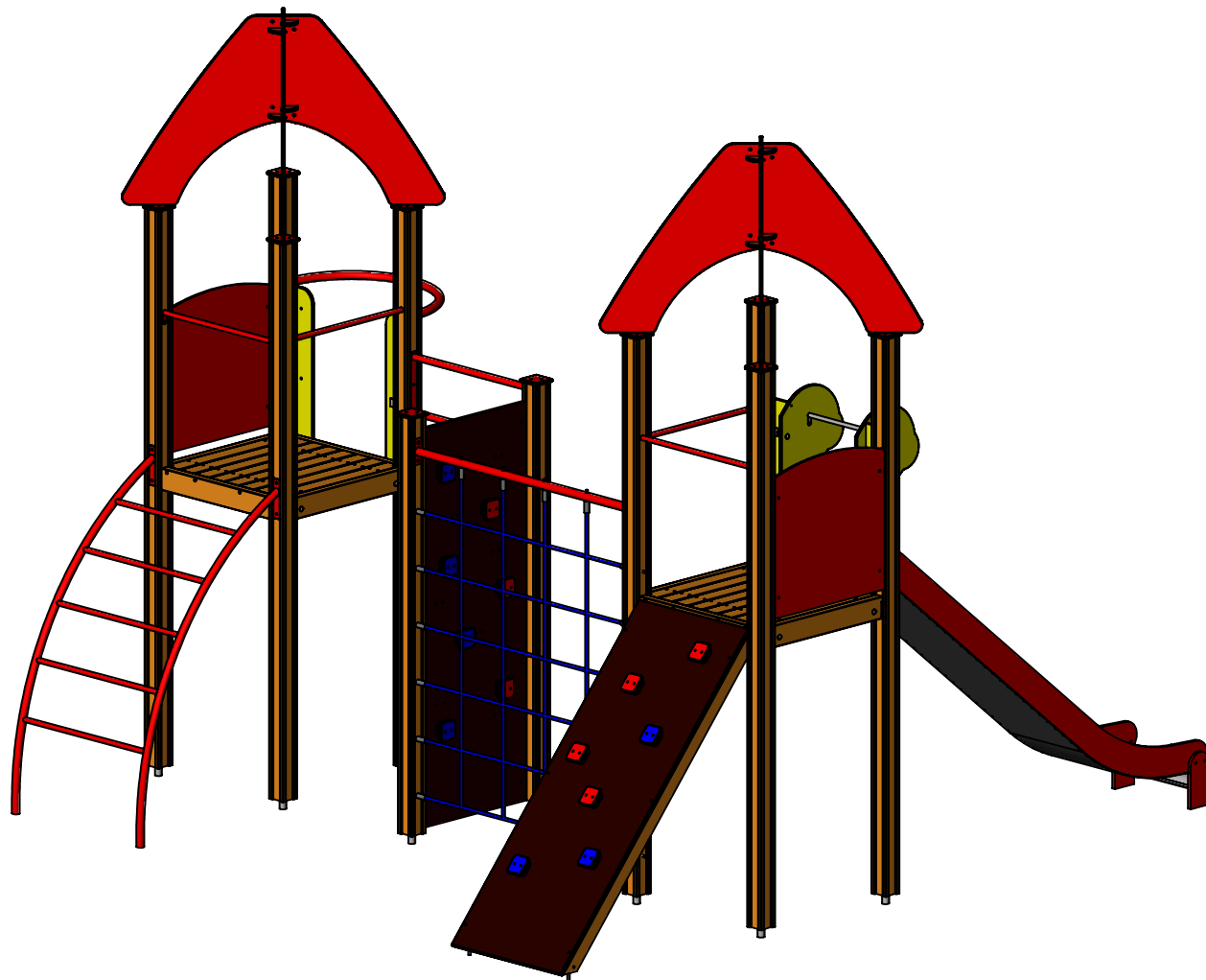
B

C

D

E

F



UNLESS OTHERWISE SPECIFIED:
DIMENSIONS ARE IN MILLIMETERS
WEIGHT ARE IN KILOGRAMM

PART NUMBER / DWG NO.:

LM217

	NAME	SIGNATURE	DATE	REVISION
DRAWN	I.Agar		09.11.2022	
APPV'D				

DESCRIPTION:

Play centre Harald



Tiptiptap OÜ

Tiptiptap OÜ
Veetorni 9,
Jüri alevik, Rae vald,
75301 Harjumaa

MATERIAL:

wood, metal, plastic

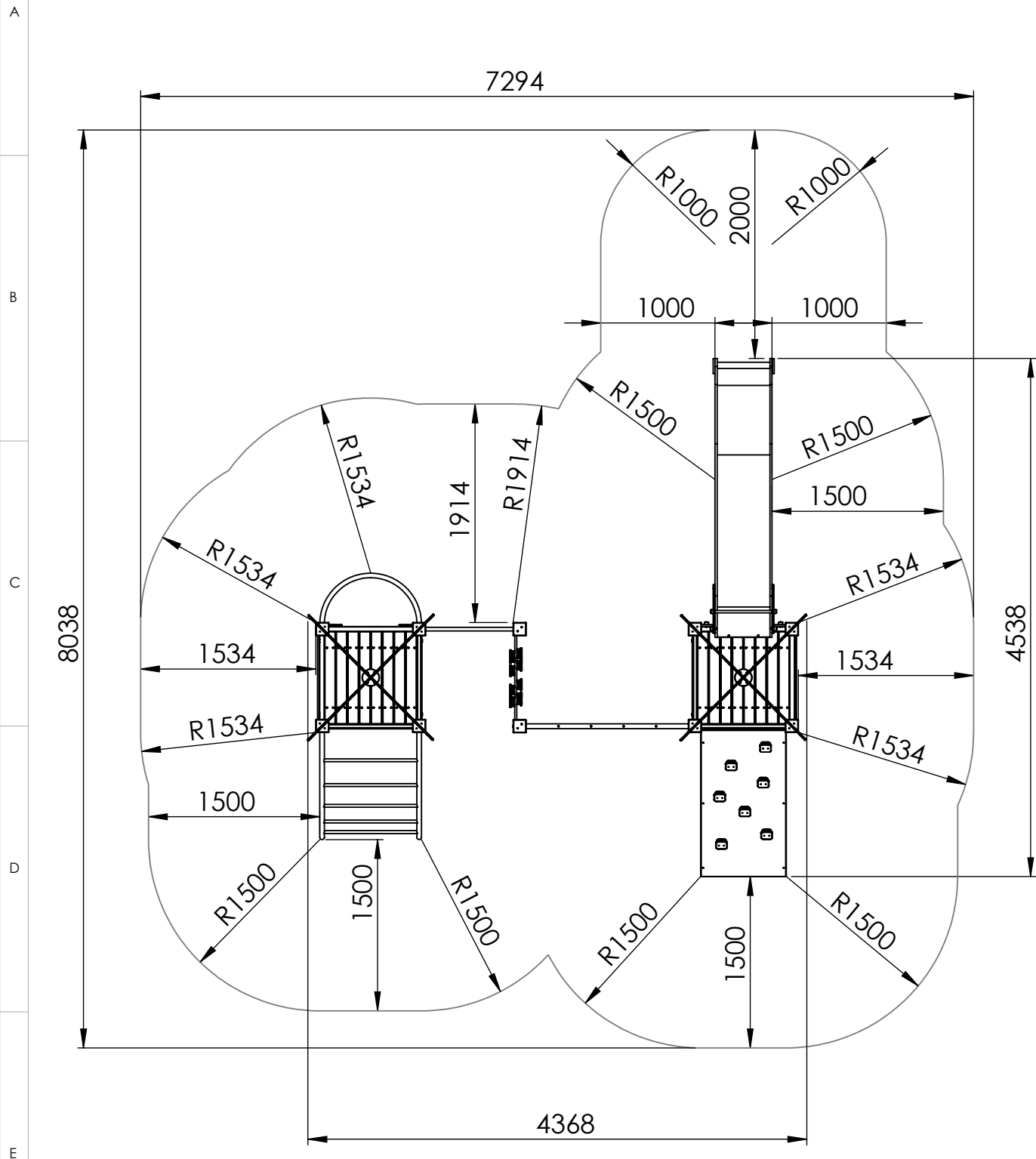
A4

WEIGHT:

SCALE: 1:35

SHEET 1 OF 27

Safety area



UNLESS OTHERWISE SPECIFIED:
DIMENSIONS ARE IN MILLIMETERS
WEIGHT ARE IN KILOGRAMM

PART NUMBER / DWG NO.:

LM217

	NAME	SIGNATURE	DATE	REVISION
DRAWN	I.Agar		09.11.2022	
APPV'D				

DESCRIPTION:

Play centre Harald



Tiptiptap OÜ

Tiptiptap OÜ
Veetorni 9,
Jüri alevik, Rae vald,
75301 Harjumaa

MATERIAL:

wood, metal, plastic

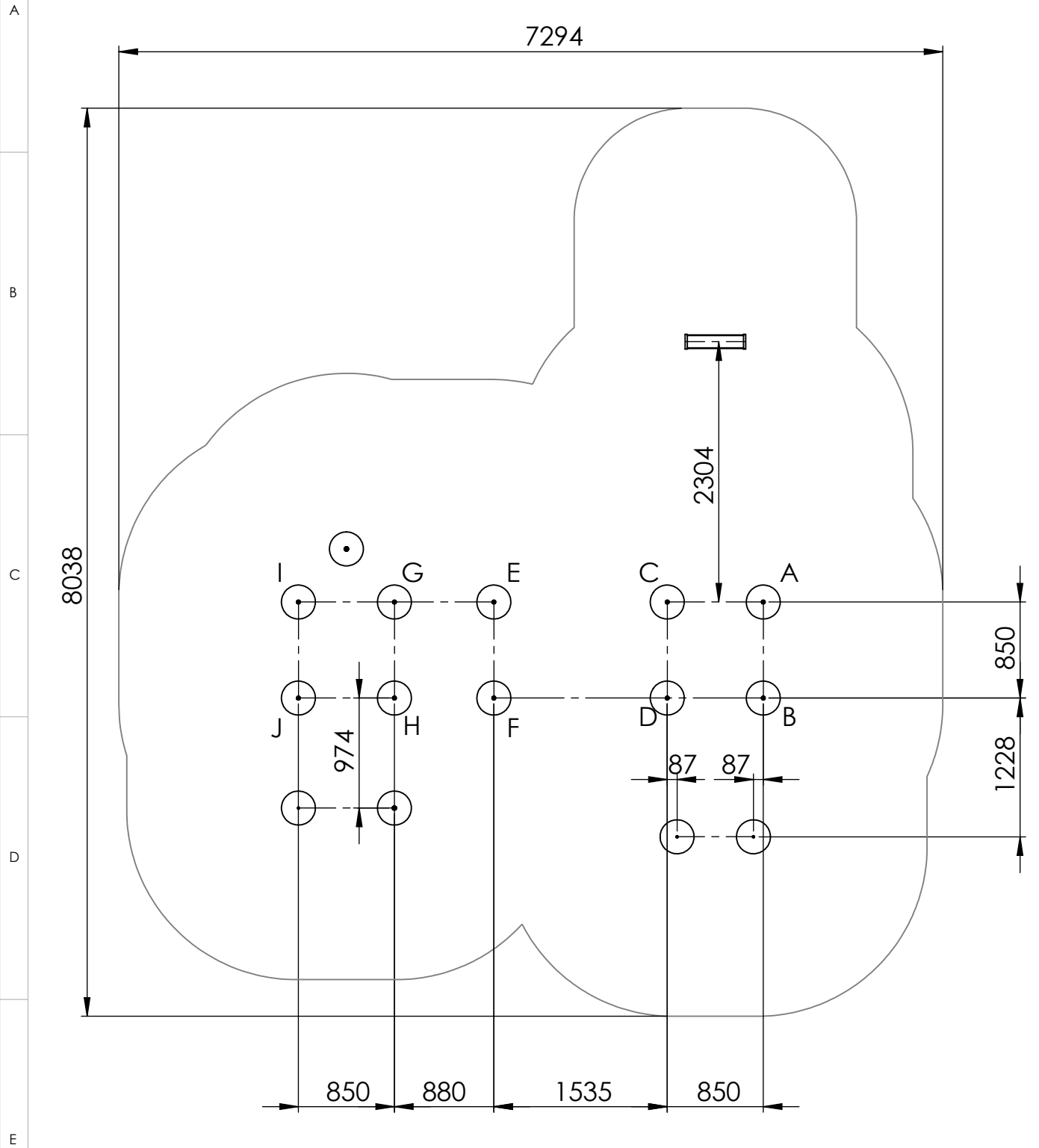
A4

WEIGHT:

SCALE: 1:50

SHEET 2 OF 27

Foundation



Depth of foundation: 600mm

UNLESS OTHERWISE SPECIFIED:
DIMENSIONS ARE IN MILLIMETERS
WEIGHT ARE IN KILOGRAMM

PART NUMBER / DWG NO.:

LM217

	NAME	SIGNATURE	DATE	REVISION
DRAWN	I.Agar		09.11.2022	
APPV'D				

DESCRIPTION:

Play centre Harald



Tiptiptap OÜ

Tiptiptap OÜ
Veetorni 9,
Jüri alevik, Rae vald,
75301 Harjumaa

MATERIAL:

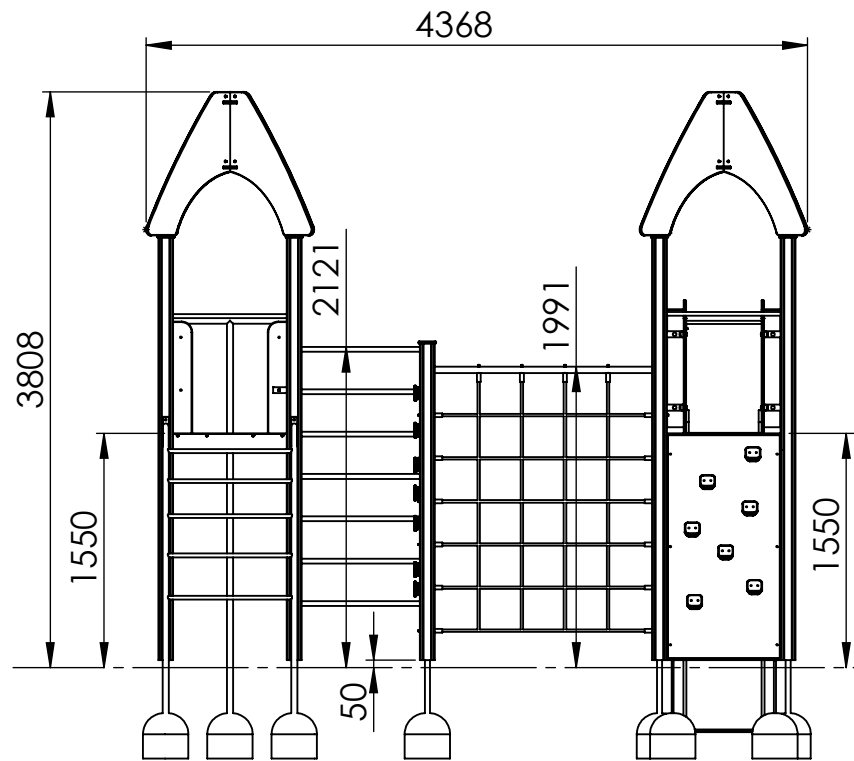
wood, metal, plastic

A4

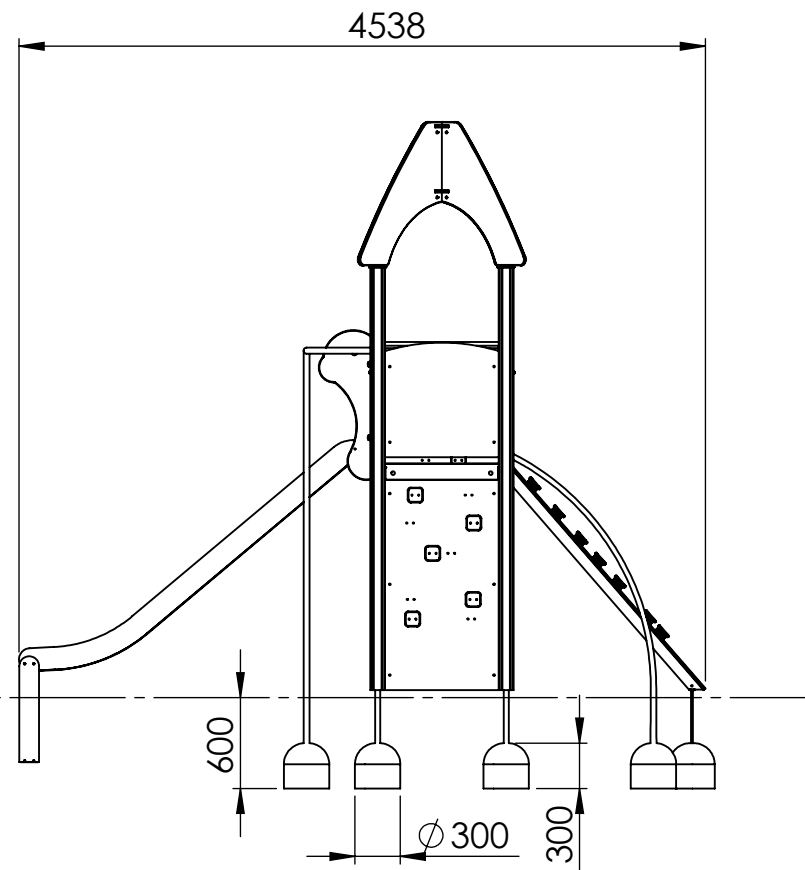
WEIGHT:

SCALE: 1:50

SHEET 3 OF 27



Ground



UNLESS OTHERWISE SPECIFIED:
DIMENSIONS ARE IN MILLIMETERS
WEIGHT ARE IN KILOGRAMM

	NAME	SIGNATURE	DATE	REVISION
DRAWN	I.Agar		09.11.2022	
APPV'D				



Tiptaptap OÜ

Tiptaptap OÜ
Veetorni 9,
Jüri alevik, Rae vald,
75301 Harjumaa

PART NUMBER / DWG NO.:

LM217

DESCRIPTION:

Play centre Harald

MATERIAL:

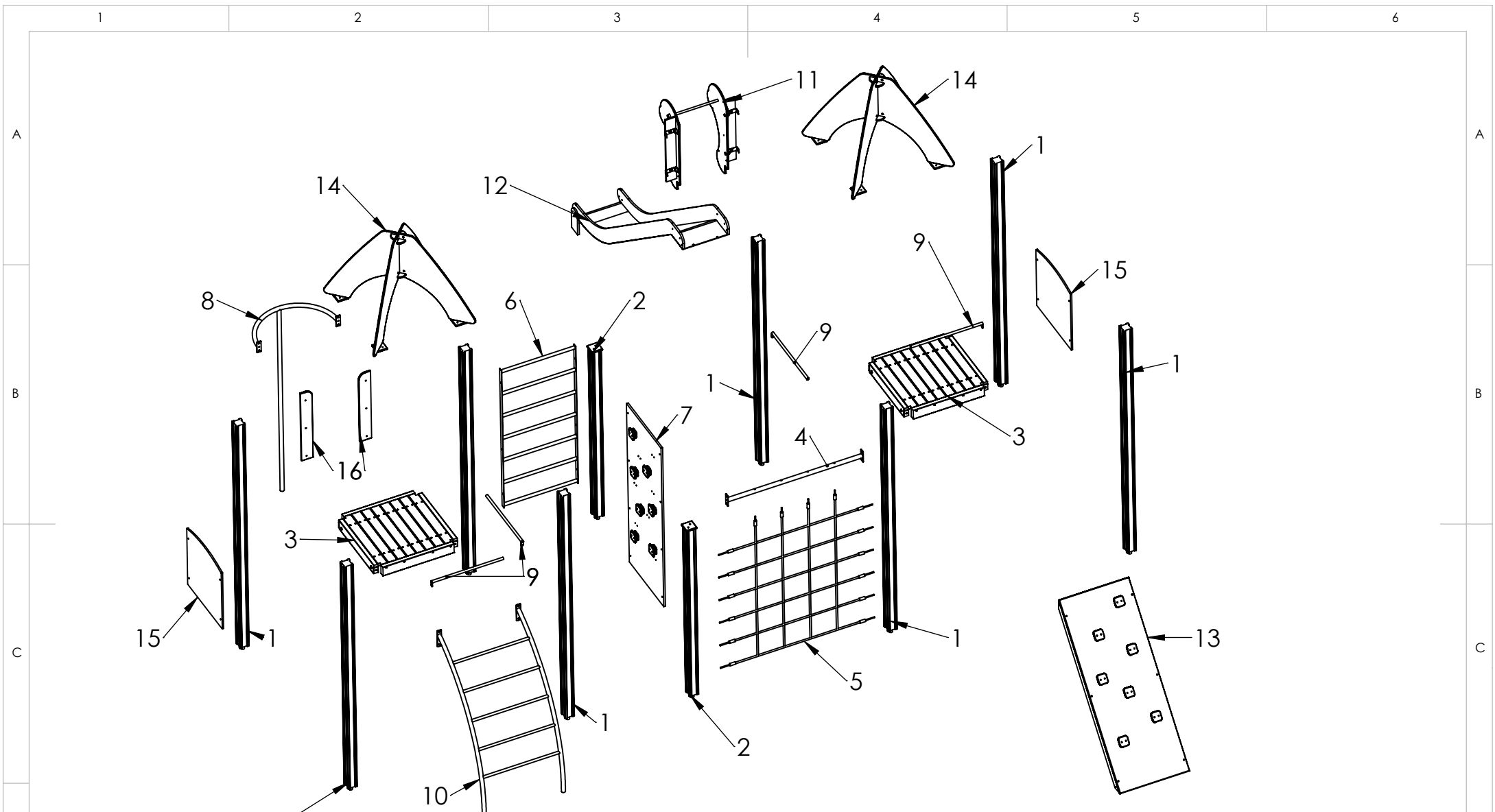
wood, metal, plastic

A4

WEIGHT:

SCALE: 1:50

SHEET 4 OF 27



UNLESS OTHERWISE SPECIFIED:
 DIMENSIONS ARE IN MILLIMETERS
 WEIGHT ARE IN KILOGRAMM

PART NUMBER / DWG NO.: **LM217**

	NAME	SIGNATURE	DATE	REVISION
DRAWN	I.Agar		09.11.2022	
APPV'D				

DESCRIPTION:
Play centre Harald



Tiptaptap OÜ
 Tiptaptap OÜ
 Veetorni 9,
 Jüri alevik, Rae vald,
 75301 Harjumaa

MATERIAL:	wood, metal, plastic	A4
WEIGHT:		SCALE: 1:50
		SHEET 5 OF 27

	1	2	3	4
	ITEM NO.	PART NUMBER	DESCRIPTION	
A	1	post 98x98x2800	laminated wood	8
	2	post 98x98x2100	laminated wood	2
	3	platform	laminated wood, metal	2
B	4	LM217 Net tube	Painted steel	1
	5	LM217 net 1450x1740	PP covered steel wire	1
	6	LM217 ladder 800x1730	painted steel	1
C	7	LM217 climbing panel	HDPE plastic	1
	8	Climbing pole for 1550 platform	Painted steel	1
	9	Tube D25x770	Painted steel	4
	10	Tube ladder	painted steel	1
D	11	slide guard block	HDPE plastic	1
	12	slide h_1550	stainless steel, HDPE plastic	1
	13	LM217 climbing ramp	HDPE plastic	1
	14	Roof	HDPE plastic	2
E	15	Upward curved panel, lower hole 100mm, next hole 570	HDPE plastic	2
	16	LM217 climbing pole side panel	HDPE plastic	2

UNLESS OTHERWISE SPECIFIED:
DIMENSIONS ARE IN MILLIMETERS
WEIGHT ARE IN KILOGRAMM

PART NUMBER / DWG NO.:

LM217

	NAME	SIGNATURE	DATE	REVISION
DRAWN	I.Agar		09.11.2022	
APPV'D				

DESCRIPTION:

Play centre Harald



Tiptiptap OÜ

Tiptiptap OÜ
Veetorni 9,
Jüri alevik, Rae vald,
75301 Harjumaa

MATERIAL:

wood, metal, plastic

A4

WEIGHT:

SCALE: 1:50

SHEET 6 OF 27

Aluminium post version!!!

A

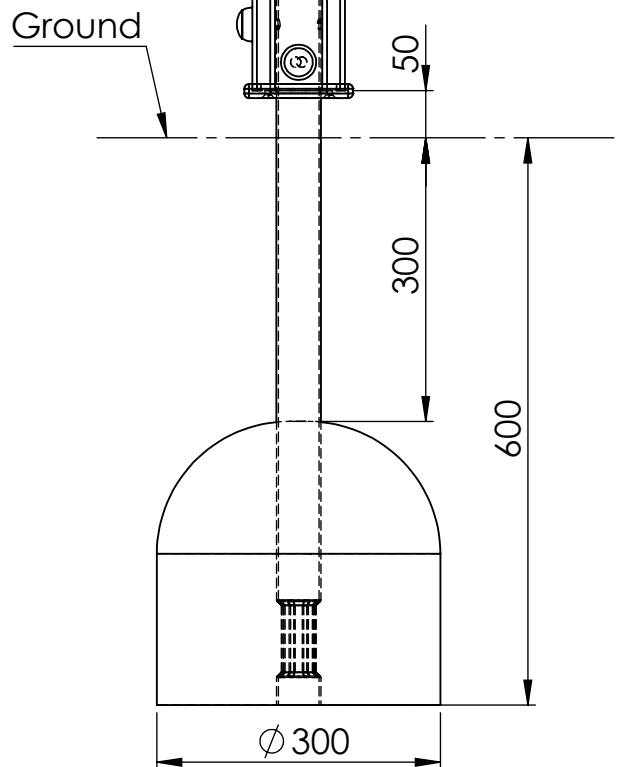
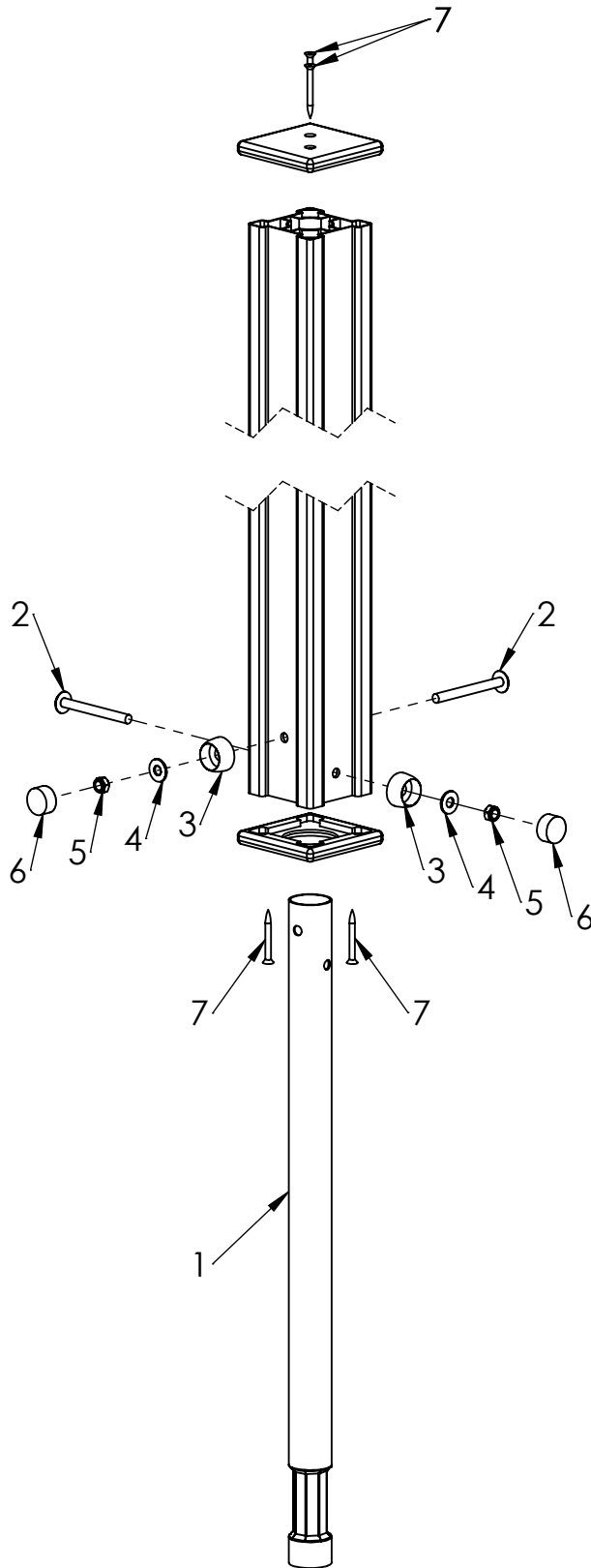
B

C

D

E

F



ITEM NO.	PART NUMBER
1	metal ground fixing L_750
2	bolt DIN603 M10x100
3	nut cover M12
4	Washer M10 DIN9054
5	nut DIN985 M10
6	nut cover cap M12
7	woodscrew 6x60

UNLESS OTHERWISE SPECIFIED:
DIMENSIONS ARE IN MILLIMETERS
WEIGHT ARE IN KILOGRAMM

PART NUMBER / DWG NO.:

LM217

	NAME	SIGNATURE	DATE	REVISION
DRAWN	I.Agar		09.11.2022	
APPV'D				

DESCRIPTION:

Play centre Harald

connecting metal ground fixing to aluminium post

MATERIAL:

wood, metal, plastic

A4

WEIGHT:

SCALE: 1:8

SHEET 7 OF 27

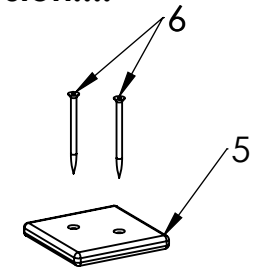


Tiptap OÜ

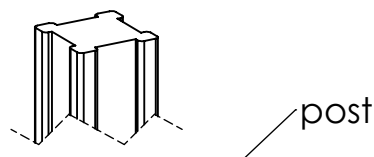
Tiptap OÜ
Veetorni 9,
Jüri alevik, Rae vald,
75301 Harjumaa

Wood post version!!!!

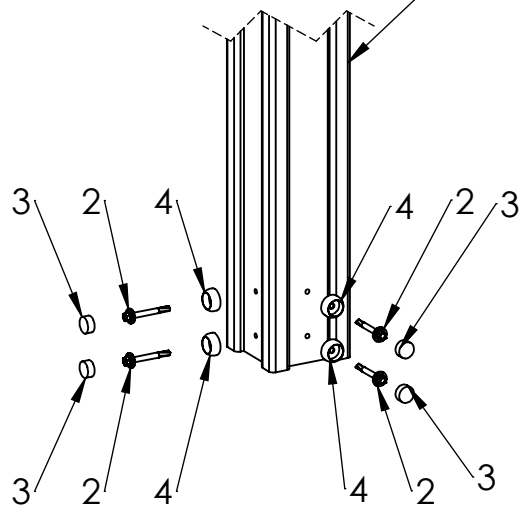
A



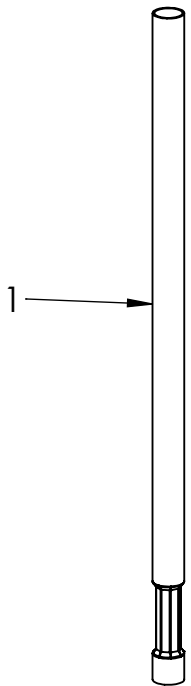
B



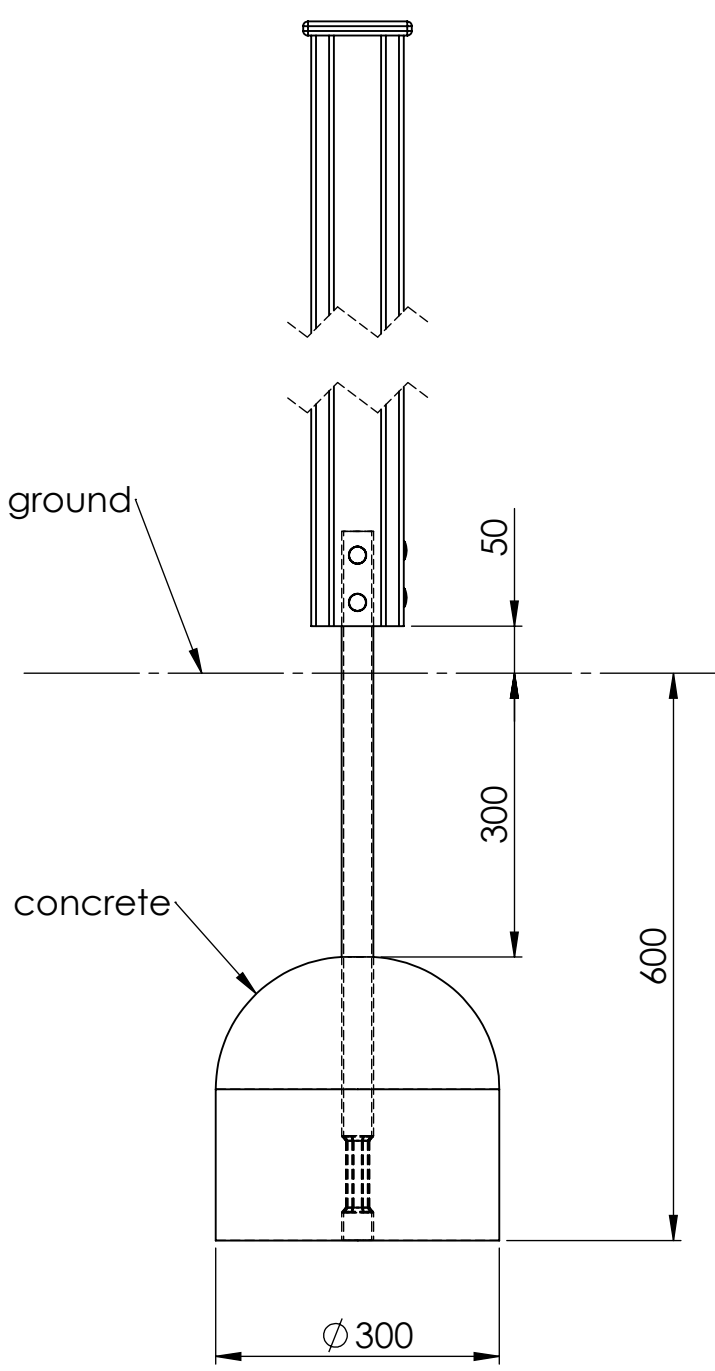
C



D



E



ITEM NO.	PART NUMBER
1	metal ground fixing L_750
2	screw DIN7504K 5,5x50
3	nut cover cap M6
4	nut cover M6
5	plastic cap 115x115
6	woodscrew 6 x 90

UNLESS OTHERWISE SPECIFIED:
DIMENSIONS ARE IN MILLIMETERS
WEIGHT ARE IN KILOGRAMM

PART NUMBER / DWG NO.:
LM217

	NAME	SIGNATURE	DATE	REVISION
DRAWN	I.Agar		09.11.2022	
APPV'D				

DESCRIPTION:
**Play centre Harald
connecting metal ground fixing to post**

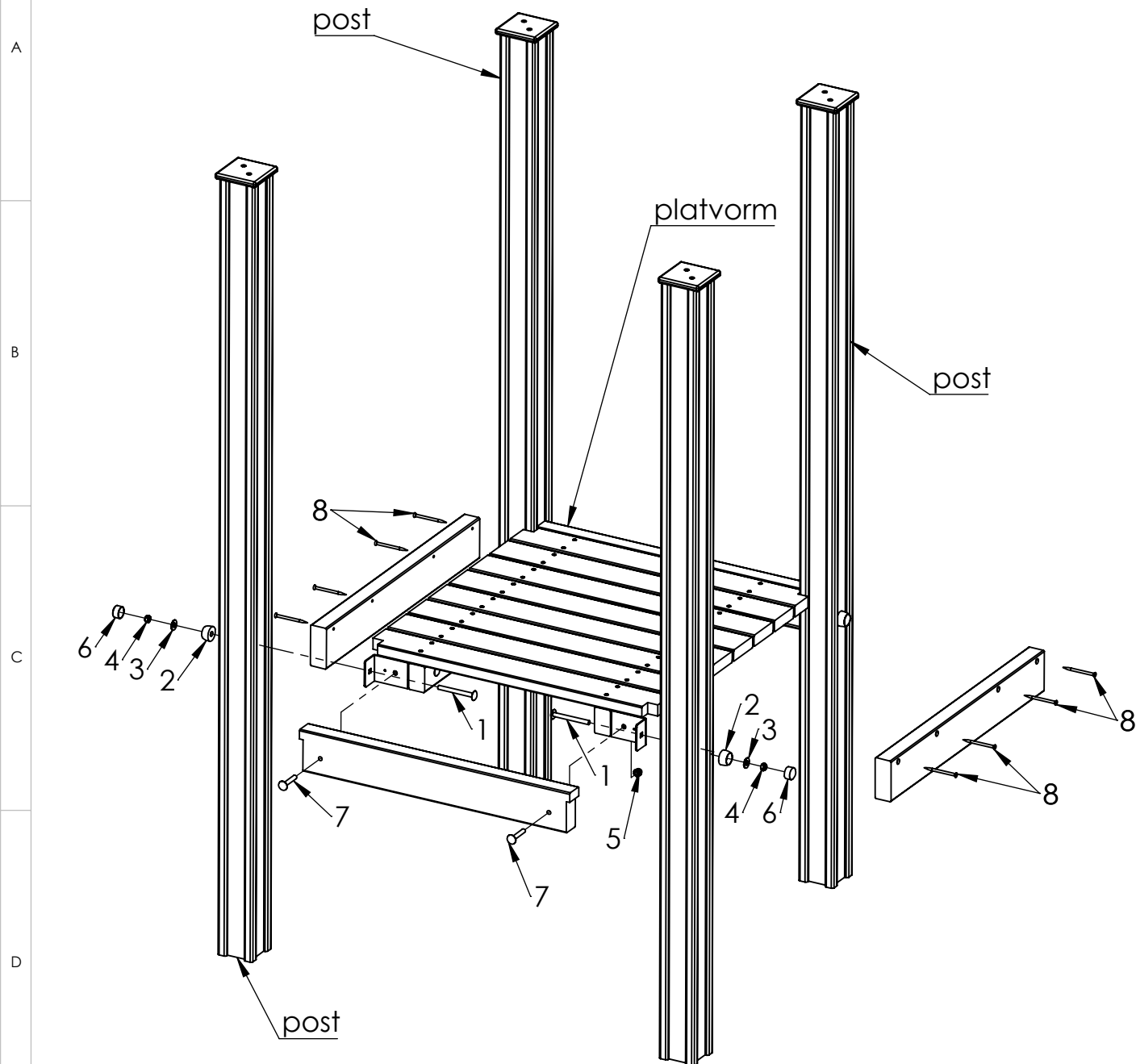
F



Tiptiptap OÜ

Tiptiptap OÜ
Veetorni 9,
Jüri alevik, Rae vald,
75301 Harjumaa

MATERIAL:	wood, metal, plastic	A4
WEIGHT:	SCALE: 1:8	SHEET 8 OF 27



ITEM NO.	PART NUMBER
1	bolt DIN603 M10x100
2	nut cover M12
3	Washer M10 DIN9054
4	nut DIN985 M10
5	domed cap nut DIN986 M10
6	nut cover cap M12
7	bolt DIN603 M10x60
8	Woodscrew 6 x 90

UNLESS OTHERWISE SPECIFIED:
DIMENSIONS ARE IN MILLIMETERS
WEIGHT ARE IN KILOGRAMM

PART NUMBER / DWG NO.:

LM217

	NAME	SIGNATURE	DATE	REVISION
DRAWN	I.Agar		09.11.2022	
APPV'D				

DESCRIPTION:

Play centre Harald
connecting platform to post

MATERIAL:

wood, metal, plastic

A4

WEIGHT:

SCALE: 1:15

SHEET 9 OF 27



Tiptiptap OÜ

Tiptiptap OÜ
Veetorni 9,
Jüri alevik, Rae vald,
75301 Harjumaa

A

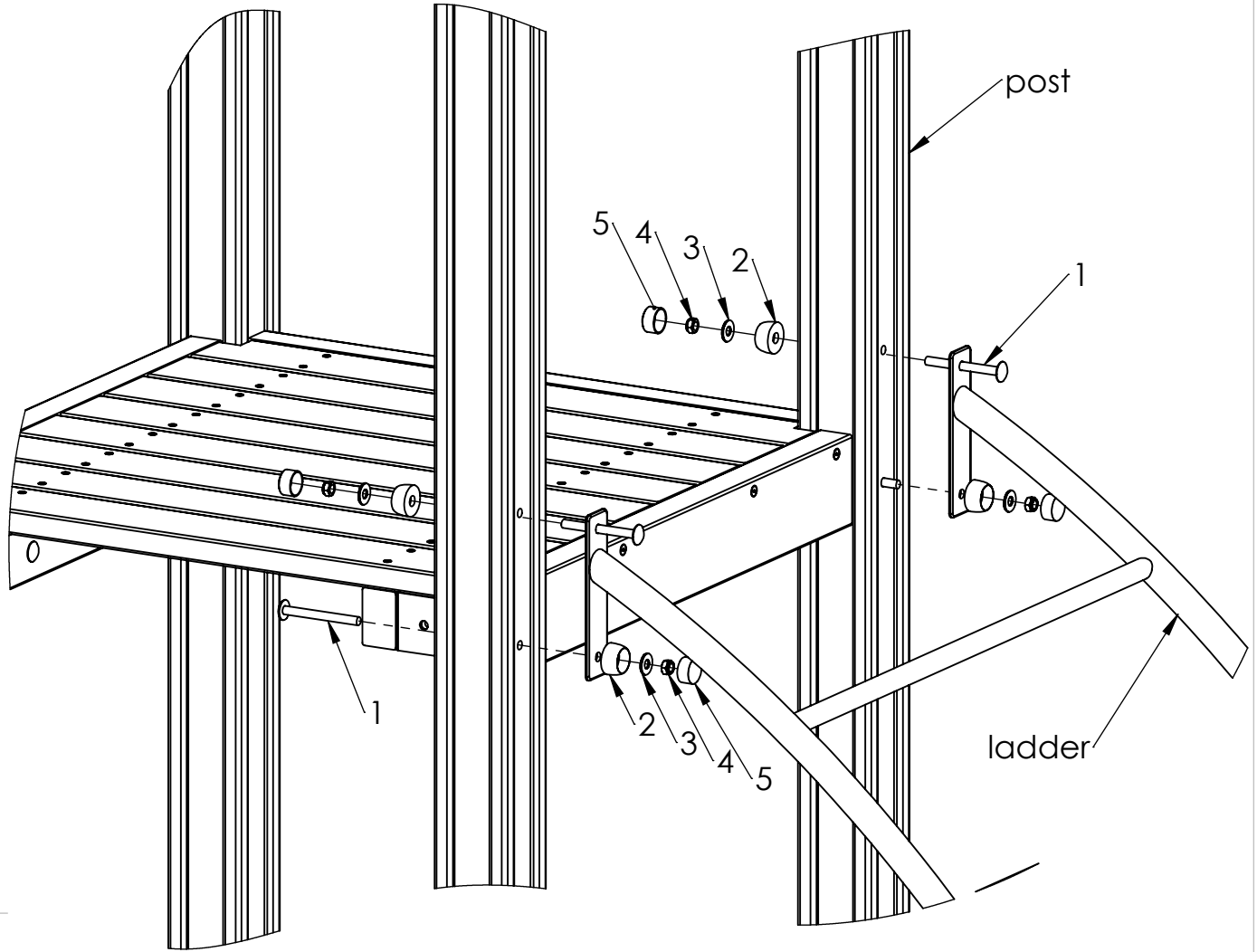
B

C

D

E

F



ITEM NO.	PART NUMBER
1	bolt DIN603 M10x100
2	nut cover M12
3	Washer M10 DIN9054
4	nut DIN985 M10
5	nut cover cap M12

UNLESS OTHERWISE SPECIFIED:
 DIMENSIONS ARE IN MILLIMETERS
 WEIGHT ARE IN KILOGRAMM

PART NUMBER / DWG NO.:

LM217

	NAME	SIGNATURE	DATE	REVISION
DRAWN	I.Agar			
APPV'D				

DESCRIPTION:

Play centre Harald
 connecting arch ladder to post



Tiptiptap OÜ

Tiptiptap OÜ
 Veetorni 9,
 Jüri alevik, Rae vald,
 75301 Harjumaa

MATERIAL:

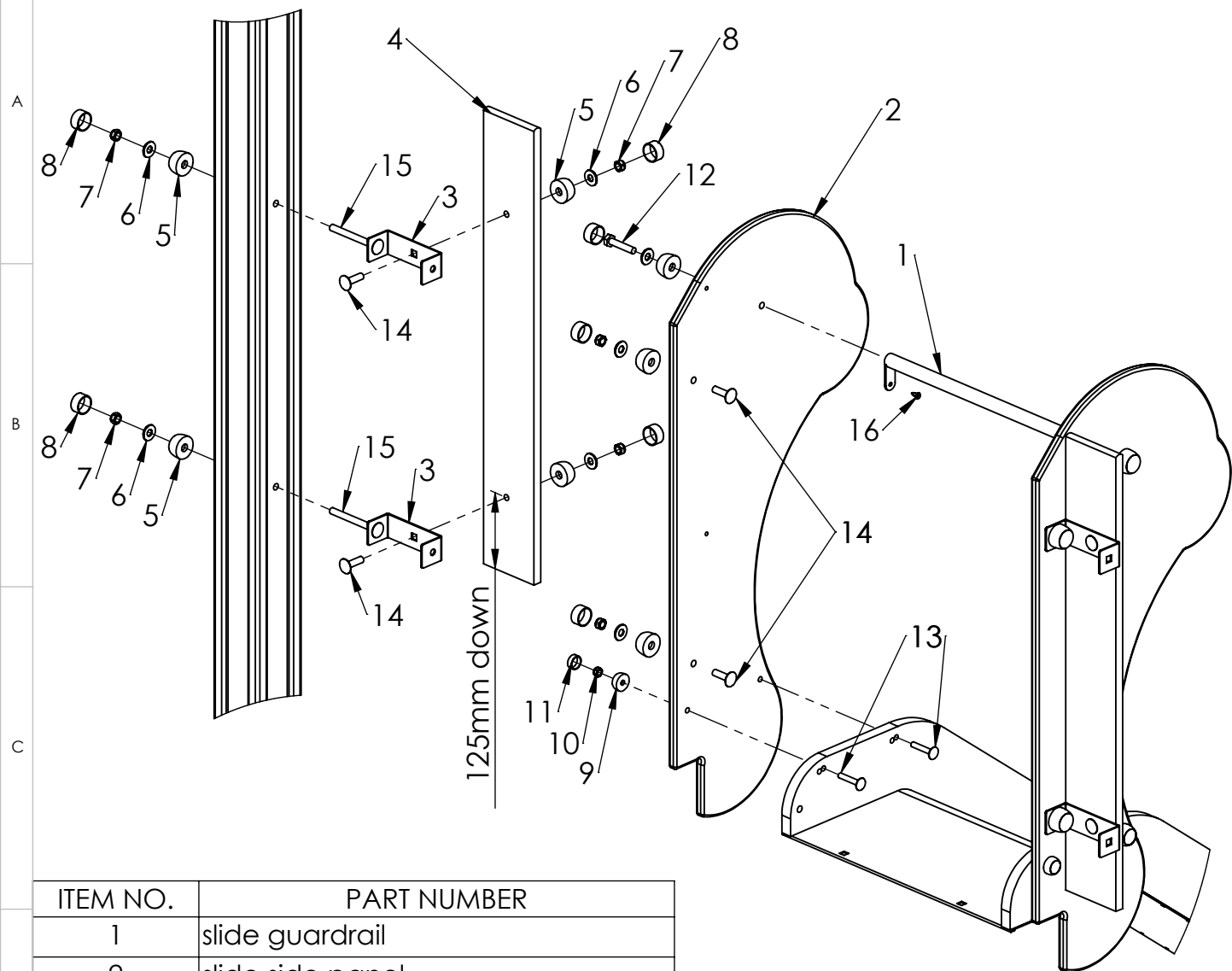
wood, metal, plastic

A4

WEIGHT:

SCALE: 1:10

SHEET 10 OF 27



ITEM NO.	PART NUMBER
1	slide guardrail
2	slide side panel
3	slide side panel fixing (45x123x45)
4	side panel 111x770mm
5	nut cover M12
6	Washer M10 DIN9054
7	nut DIN985 M10
8	nut cover cap M12
9	nut cover M8
10	nut DIN985 M8
11	nut cover cap M8
12	bolt DIN931 M10x50
13	bolt DIN603 M8x45
14	bolt DIN603 M10x35
15	bolt DIN603 M10x100
16	wood screw 4,8x13

UNLESS OTHERWISE SPECIFIED:
DIMENSIONS ARE IN MILLIMETERS
WEIGHT ARE IN KILOGRAMM

PART NUMBER / DWG NO.:

LM217

	NAME	SIGNATURE	DATE	REVISION
DRAWN	I.Agar		09.11.2022	
APPV'D				

DESCRIPTION:

Play centre Harald
Connecting slide guard block to post

MATERIAL:

wood, metal, plastic

A4

WEIGHT:

SCALE: 1:10

SHEET 11 OF 27



Tiptiptap OÜ

Tiptiptap OÜ
Veetorni 9,
Jüri alevik, Rae vald,
75301 Harjumaa

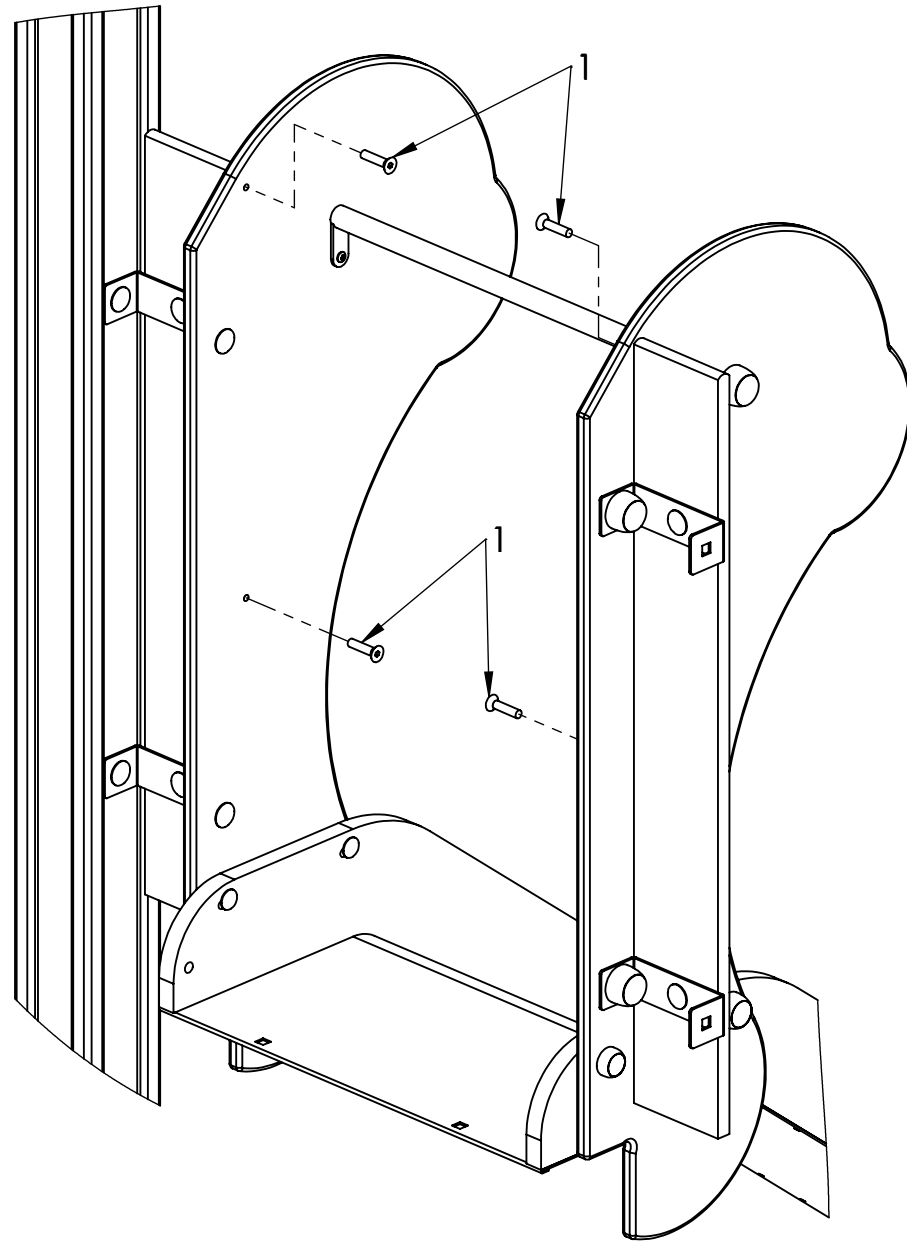
A

B

C

D

E



ITEM NO.	PART NUMBER
1	M6x35 DIN7991

UNLESS OTHERWISE SPECIFIED: DIMENSIONS ARE IN MILLIMETERS WEIGHT ARE IN KILOGRAMM				
	NAME	SIGNATURE	DATE	REVISION
DRAWN	I.Agar		09.11.2022	
APPV'D				

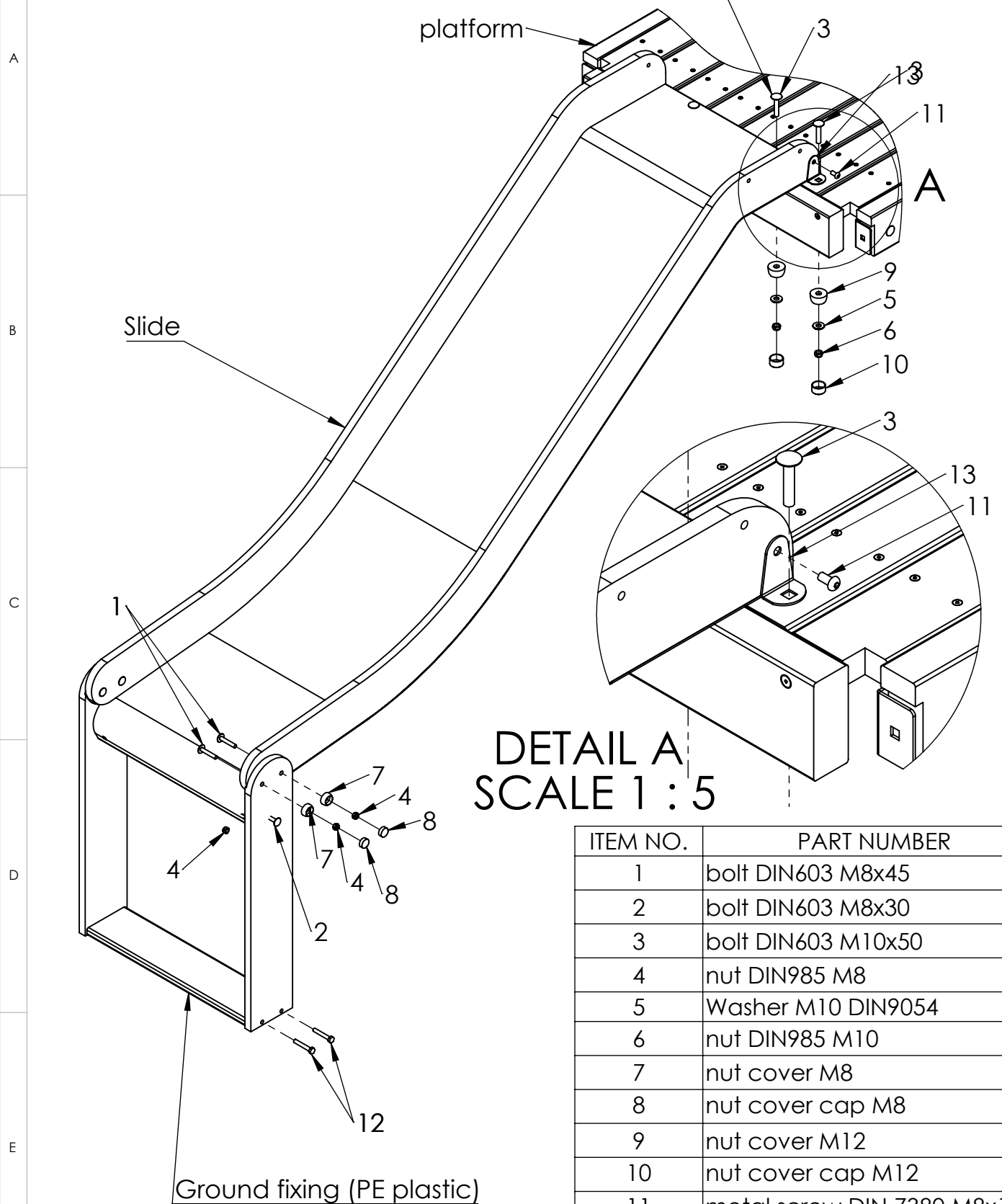
PART NUMBER / DWG NO.:	LM217
------------------------	-------

DESCRIPTION:	Play centre Harald Connecting slide guard block to post
--------------	--


Tiptiptap OÜ
 Veetorni 9,
 Jüri alevik, Rae vald,
 75301 Harjumaa

MATERIAL:	wood, metal, plastic	A4
WEIGHT:		SCALE: 1:7
		SHEET 12 OF 27

In the case of a plastic slide, this bolt is M10x60 DIN603



DETAIL A
SCALE 1 : 5

ITEM NO.	PART NUMBER
1	bolt DIN603 M8x45
2	bolt DIN603 M8x30
3	bolt DIN603 M10x50
4	nut DIN985 M8
5	Washer M10 DIN9054
6	nut DIN985 M10
7	nut cover M8
8	nut cover cap M8
9	nut cover M12
10	nut cover cap M12
11	metal screw DIN 7380 M8x16
12	bolt DIN933 M8x50
13	metal corner for slide

UNLESS OTHERWISE SPECIFIED:
DIMENSIONS ARE IN MILLIMETERS
WEIGHT ARE IN KILOGRAMM

PART NUMBER / DWG NO.:

LM217

	NAME	SIGNATURE	DATE	REVISION
DRAWN	I.Agar		09.11.2022	
APPV'D				

DESCRIPTION:

Play centre Harald
connecting slide to platform

MATERIAL:

wood, metal, plastic

A4

WEIGHT:

SCALE: 1:12

SHEET 13 OF 27



Tiptiptap OÜ

Tiptiptap OÜ
Veetorni 9,
Jüri alevik, Rae vald,
75301 Harjumaa

A

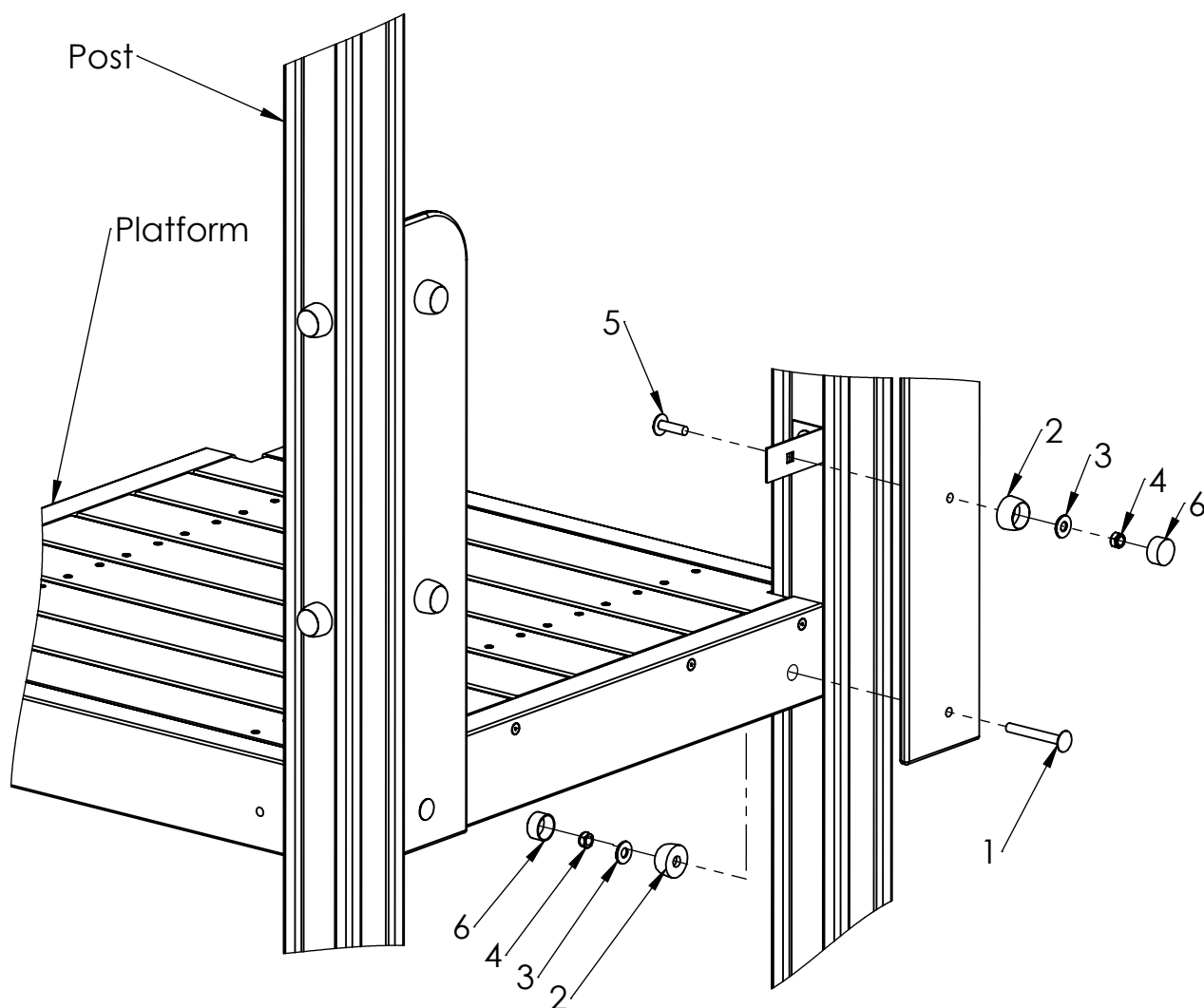
B

C

D

E

F



ITEM NO.	PART NUMBER
1	bolt DIN603 M10x80
2	nut cover M12
3	Washer M10 DIN9054
4	nut DIN985 M10
5	bolt DIN603 M10x35
6	nut cover cap M12

UNLESS OTHERWISE SPECIFIED:
DIMENSIONS ARE IN MILLIMETERS
WEIGHT ARE IN KILOGRAMM

PART NUMBER / DWG NO.:

LM217

	NAME	SIGNATURE	DATE	REVISION
DRAWN	I.Agar		09.11.2022	
APPV'D				

DESCRIPTION:

Play centre Harald
Connecting climbing pole side panel to post

MATERIAL:

wood, metal, plastic

A4

WEIGHT:

SCALE: 1:8

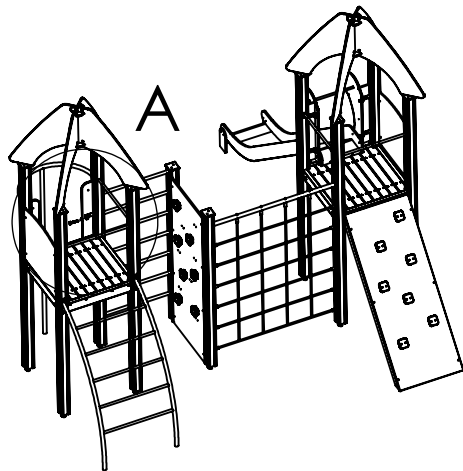
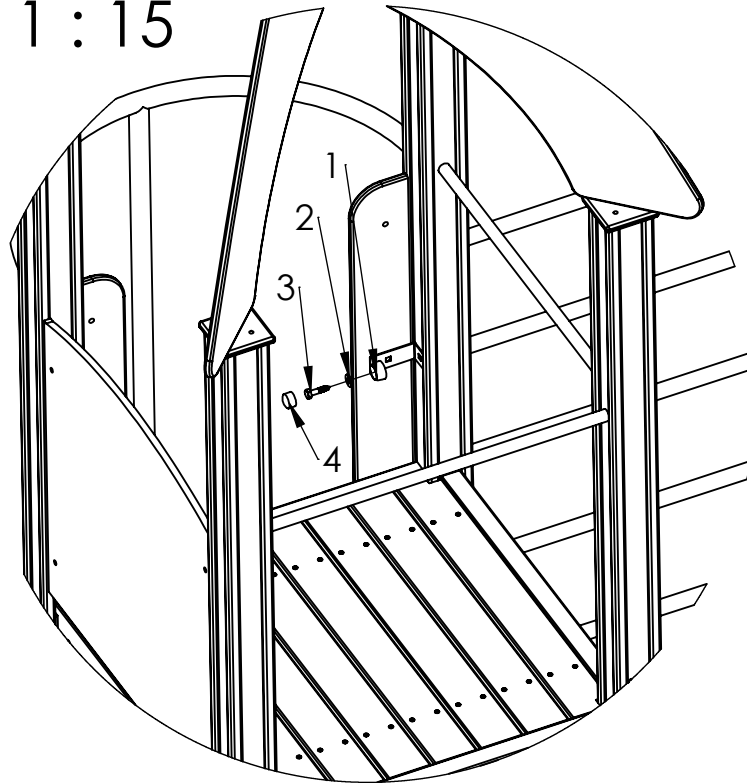
SHEET 14 OF 27



Tiptiptap OÜ

Tiptiptap OÜ
Veetorni 9,
Jüri alevik, Rae vald,
75301 Harjumaa

DETAIL A SCALE 1 : 15



ITEM NO.	PART NUMBER
1	nut cover M12
2	Washer M10 DIN9054
3	wood screw DIN571 10x45
4	nut cover cap M12

UNLESS OTHERWISE SPECIFIED:
DIMENSIONS ARE IN MILLIMETERS
WEIGHT ARE IN KILOGRAMM

PART NUMBER / DWG NO.:

LM217

	NAME	SIGNATURE	DATE	REVISION
DRAWN	I.Agar		09.11.2022	
APPV'D				

DESCRIPTION:

Play centre Harald



Tiptaptap OÜ

Tiptaptap OÜ
Veetorni 9,
Jüri alevik, Rae vald,
75301 Harjumaa

MATERIAL:

wood, metal, plastic

A4

WEIGHT:

SCALE: 1:80

SHEET 15 OF 27

A

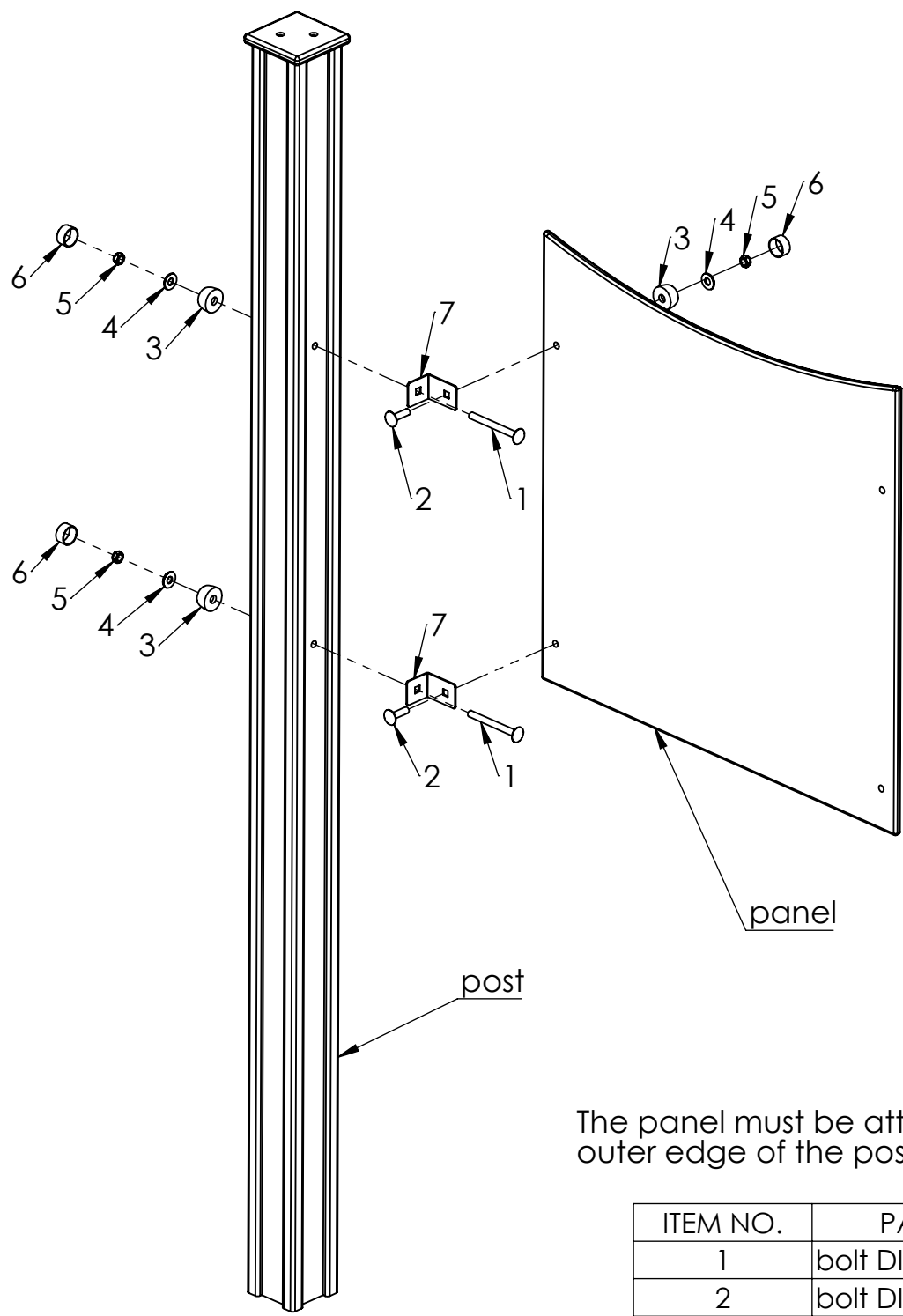
B

C

D

E

F



The panel must be attached to the outer edge of the post !!!

ITEM NO.	PART NUMBER
1	bolt DIN603 M10x100
2	bolt DIN603 M10x35
3	nut cover M12
4	Washer M10 DIN9054
5	nut DIN985 M10
6	nut cover cap M12
7	Corner 90° (45x60)

UNLESS OTHERWISE SPECIFIED:
DIMENSIONS ARE IN MILLIMETERS
WEIGHT ARE IN KILOGRAMM

PART NUMBER / DWG NO.:
LM217

	NAME	SIGNATURE	DATE	REVISION
DRAWN	I.Agar		09.11.2022	
APPV'D				

DESCRIPTION:
Play centre Harald connecting panel to post



Tiptaptap OÜ

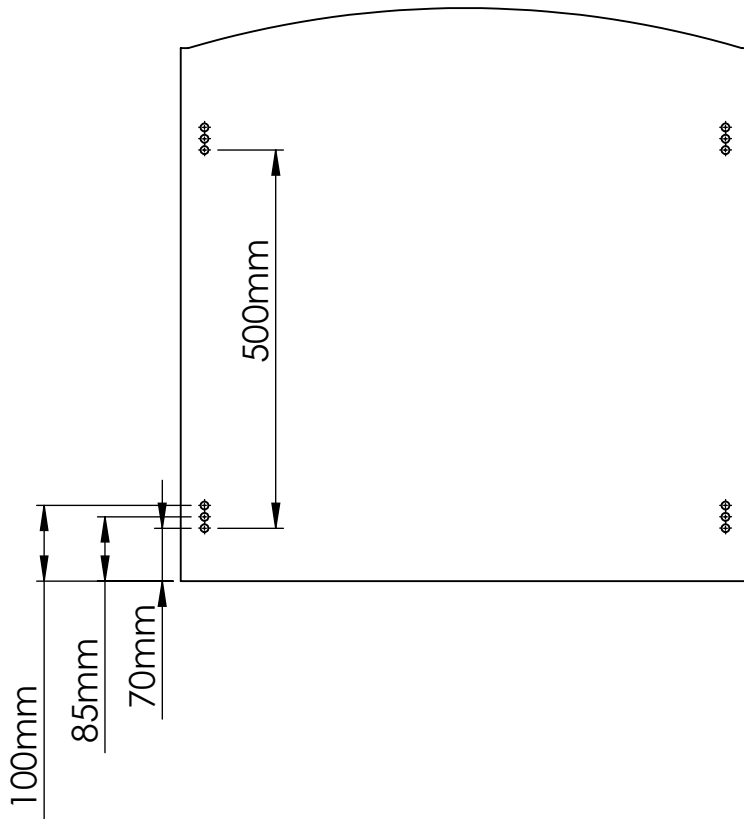
Tiptaptap OÜ
Veetorni 9,
Jüri alevik, Rae vald,
75301 Harjumaa

MATERIAL: wood, metal, plastic

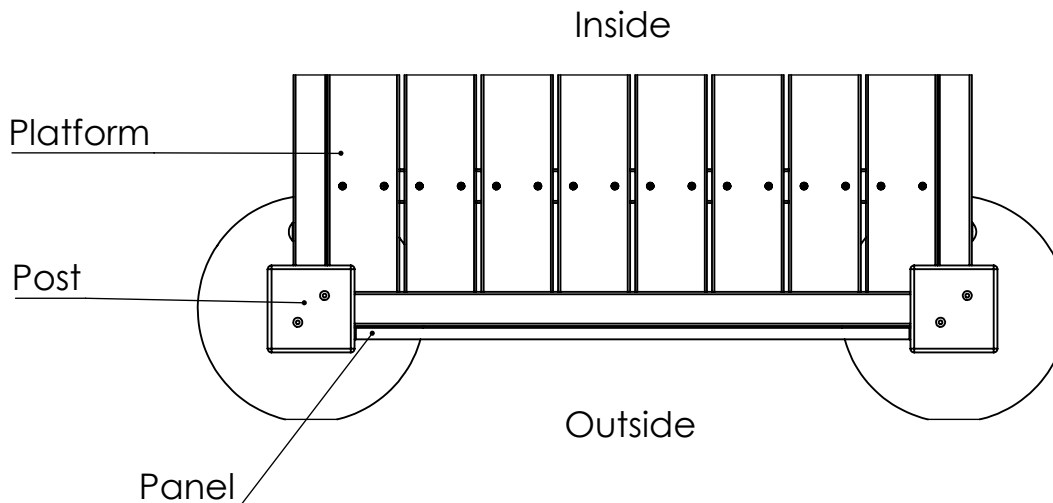
A4

WEIGHT: SCALE: 1:10 SHEET 16 OF 27

Explanation of the 'lower hole' behind the panel name:



The panel must be installed on the post as shown in the picture!



UNLESS OTHERWISE SPECIFIED:
DIMENSIONS ARE IN MILLIMETERS
WEIGHT ARE IN KILOGRAMM

PART NUMBER / DWG NO.:

LM217

	NAME	SIGNATURE	DATE	REVISION
DRAWN	I.Agar		09.11.2022	
APPV'D				

DESCRIPTION:

Play centre Harald
connecting panel to post



Tiptiptap OÜ

Tiptiptap OÜ
Veetorni 9,
Jüri alevik, Rae vald,
75301 Harjumaa

MATERIAL:

wood, metal, plastic

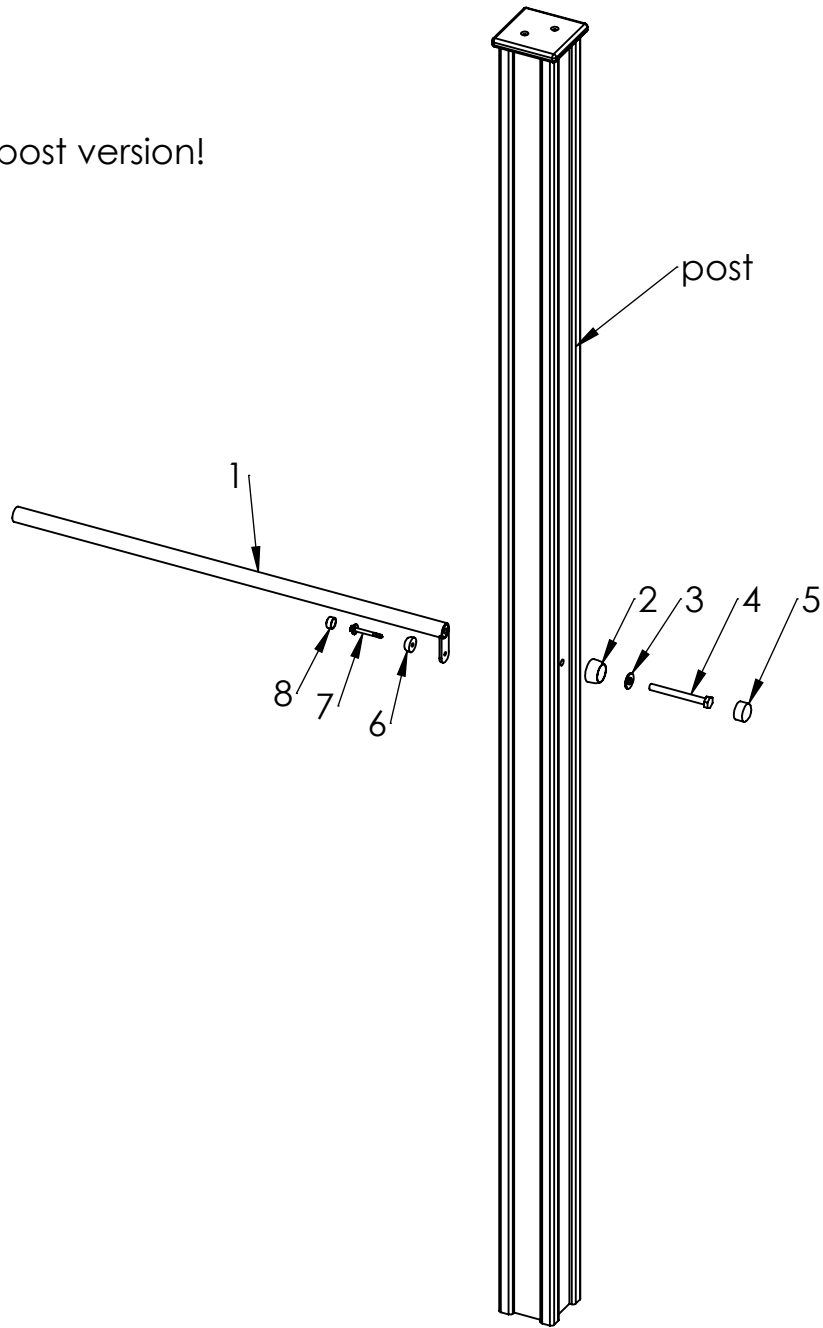
A4

WEIGHT:

SCALE: 1:10

SHEET 17 OF 27

Aluminium post version!



ITEM NO.	PART NUMBER
1	guardrail ϕ 25x770
2	nut cover M12
3	Washer M10 DIN9054
4	bolt DIN931 M10x100
5	nut cover cap M12
6	nut cover M6
7	screw DIN7504K 5,5x50
8	nut cover cap M6

UNLESS OTHERWISE SPECIFIED:
DIMENSIONS ARE IN MILLIMETERS
WEIGHT ARE IN KILOGRAMM

PART NUMBER / DWG NO.:

LM217

	NAME	SIGNATURE	DATE	REVISION
DRAWN	I.Agar			
APPV'D				

DESCRIPTION:

Play centre Harald
connecting guardrail to post

MATERIAL:

wood, metal, plastic

A4

WEIGHT:

SCALE: 1:12

SHEET 18 OF 27



Tiptiptap OÜ

Tiptiptap OÜ
Veetorni 9,
Jüri alevik, Rae vald,
75301 Harjumaa

A

Wood post version!

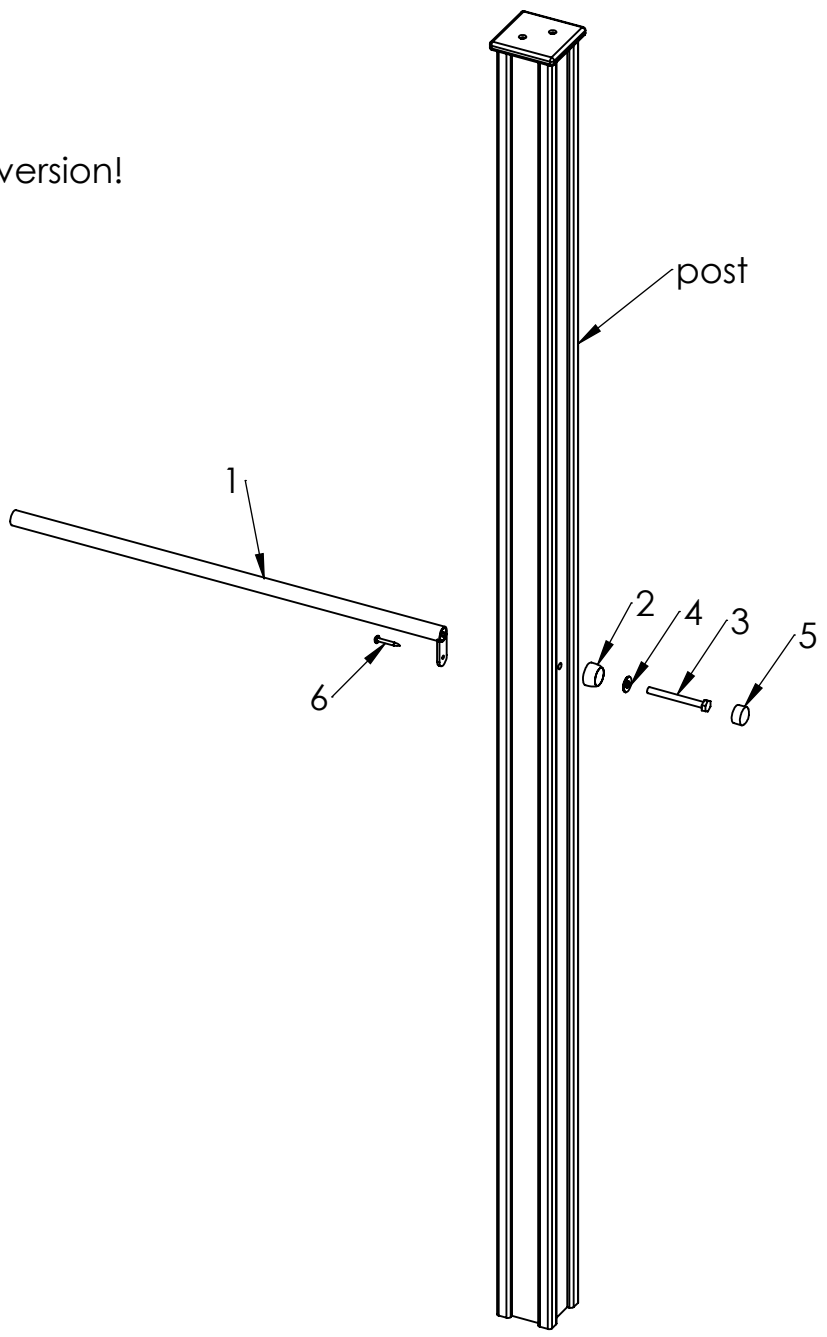
B

C

D

E

F



ITEM NO.	PART NUMBER
1	guardrail \varnothing 25x770
2	nut cover M12
3	bolt DIN931 M10x100
4	Washer M10 DIN9054
5	nut cover cap M12
6	screw 5x40

UNLESS OTHERWISE SPECIFIED:
 DIMENSIONS ARE IN MILLIMETERS
 WEIGHT ARE IN KILOGRAMM

PART NUMBER / DWG NO.:
LM217

	NAME	SIGNATURE	DATE	REVISION
DRAWN	I.Agar			
APPV'D				

DESCRIPTION:
 Play centre Harald
 connecting guardrail to post



Tiptiptap OÜ
 Veetorni 9,
 Jüri alevik, Rae vald,
 75301 Harjumaa

MATERIAL:	wood, metal, plastic	A4
WEIGHT:		SCALE: 1:12
		SHEET 19 OF 27

A

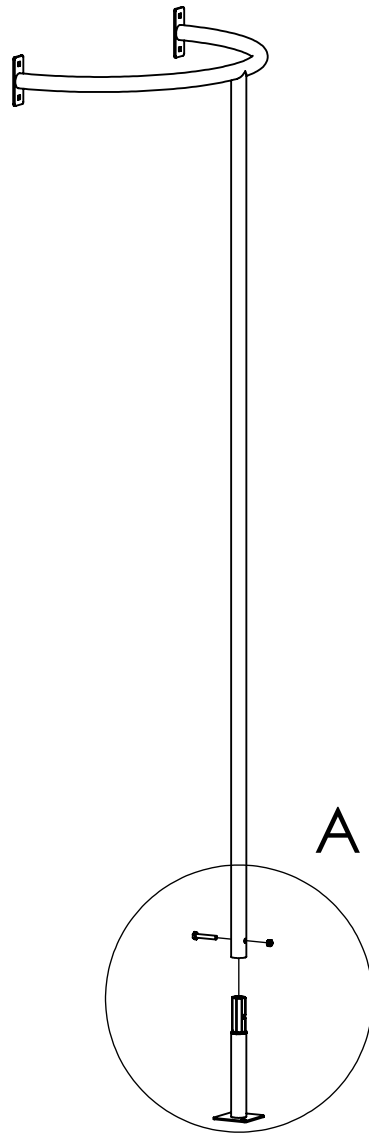
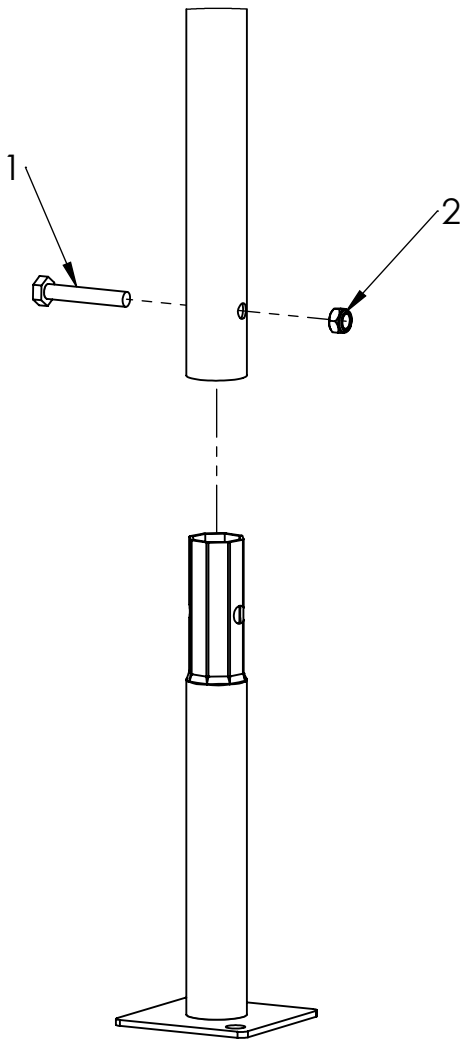
B

C

D

E

DETAIL A SCALE 1 : 5



ITEM NO.	PART NUMBER
1	bolt DIN931 M10x60
2	nut DIN985 M10

UNLESS OTHERWISE SPECIFIED:
DIMENSIONS ARE IN MILLIMETERS
WEIGHT ARE IN KILOGRAMM

PART NUMBER / DWG NO.:

LM217

	NAME	SIGNATURE	DATE	REVISION
DRAWN	I.Agar		09.11.2022	
APPV'D				

DESCRIPTION:

Play centre Harald
Assembling climbing pole

MATERIAL:

wood, metal, plastic

A4

WEIGHT:

SCALE: 1:20

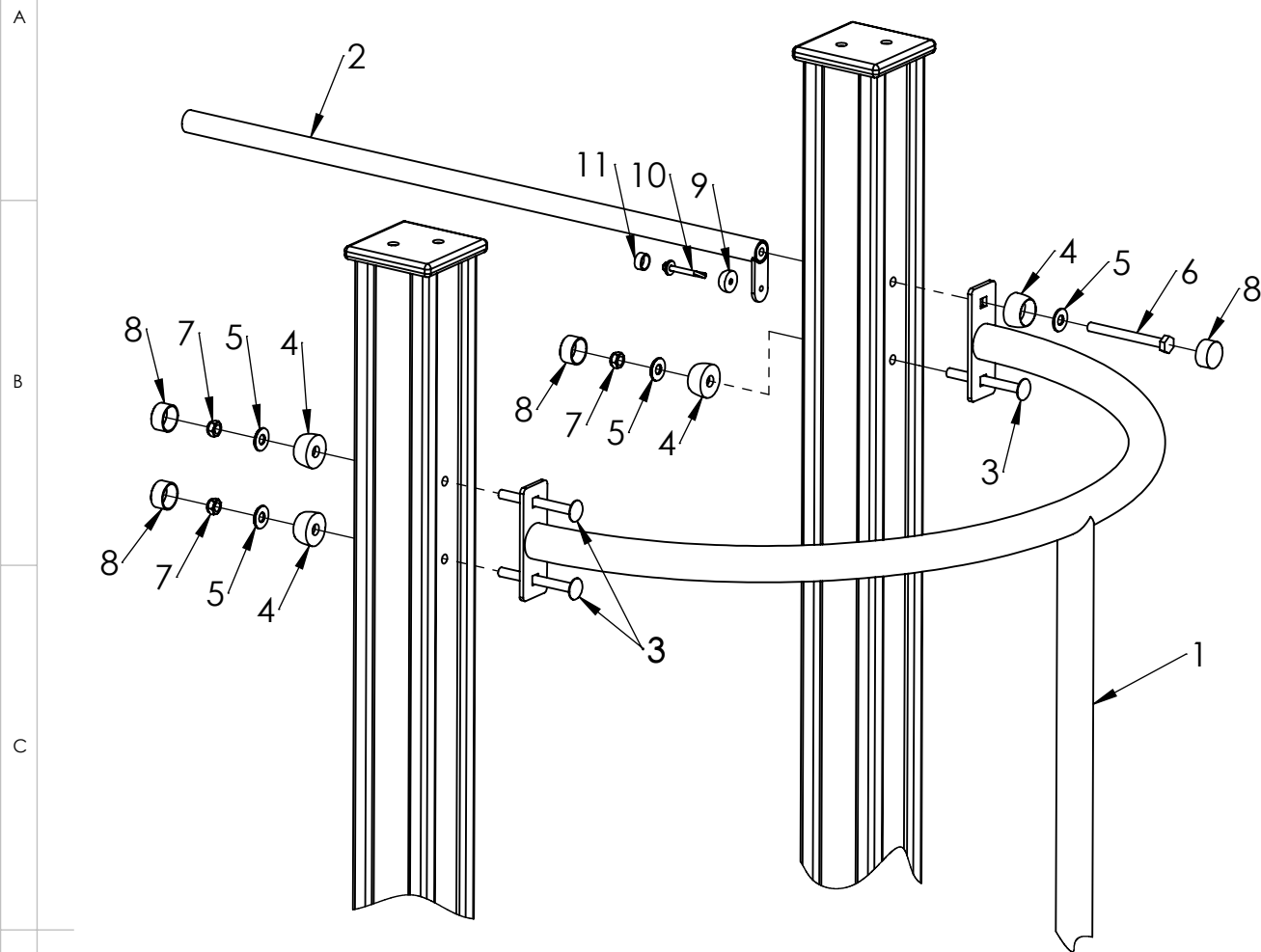
SHEET 20 OF 27



Tiptiptap OÜ

Tiptiptap OÜ
Veetorni 9,
Jüri alevik, Rae vald,
75301 Harjumaa

F



ITEM NO.	PART NUMBER
1	climbing pole
2	guardrail ϕ 25x770
3	bolt DIN603 M10x100
4	nut cover M12
5	Washer M10 DIN9054
6	bolt DIN931 M10x100
7	nut DIN985 M10
8	nut cover cap M12
9	nut cover M6
10	screw DIN7504K 5,5x50
11	nut cover cap M6

UNLESS OTHERWISE SPECIFIED:
DIMENSIONS ARE IN MILLIMETERS
WEIGHT ARE IN KILOGRAMM

PART NUMBER / DWG NO.:

	NAME	SIGNATURE	DATE	REVISION
DRAWN	I.Agar			
APPV'D				

DESCRIPTION:

connecting climbing pole and guardrail to post

MATERIAL:
wood, metal, plastic

A4

WEIGHT:

SCALE: 1:8

SHEET 21 OF 27



Tiptiptap OÜ

Tiptiptap OÜ
Veetorni 9,
Jüri alevik, Rae vald,
75301 Harjumaa

Ladder assembly

A

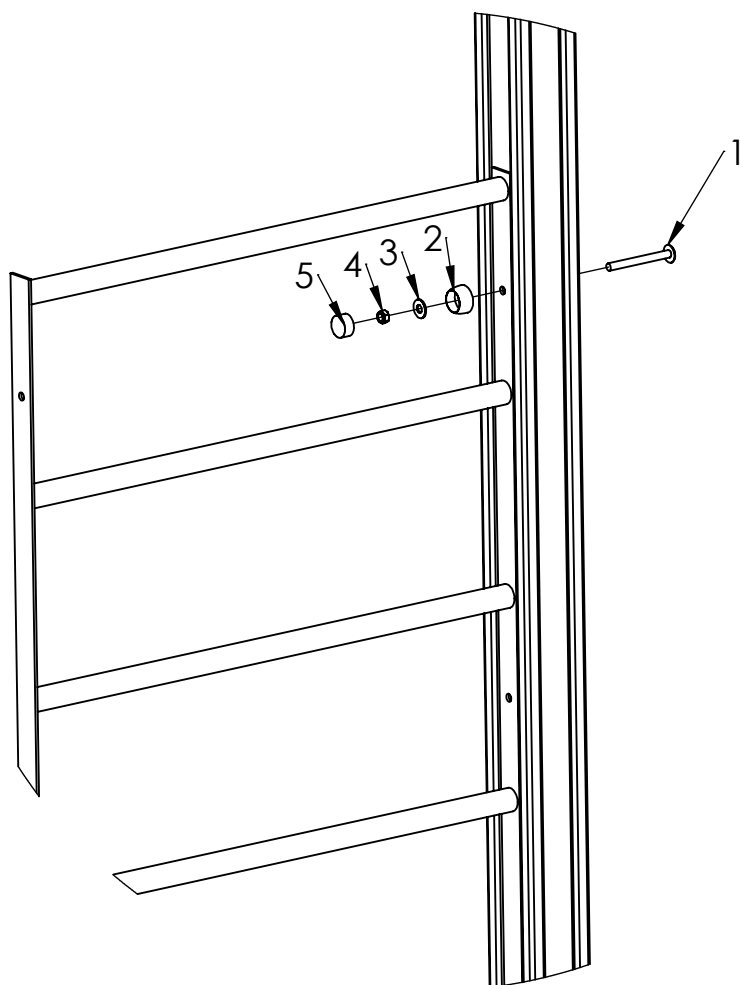
B

C

D

E

F



ITEM NO.	PART NUMBER
1	bolt DIN603 M10x100
2	nut cover M12
3	Washer M10 DIN9054
4	nut DIN985 M10
5	nut cover cap M12

UNLESS OTHERWISE SPECIFIED:
DIMENSIONS ARE IN MILLIMETERS
WEIGHT ARE IN KILOGRAMM

PART NUMBER / DWG NO.:

LM217

	NAME	SIGNATURE	DATE	REVISION
DRAWN	I.Agar		09.11.2022	
APPV'D				

DESCRIPTION:

Play centre Harald

MATERIAL:

wood, metal, plastic

A4

WEIGHT:

SCALE: 1:10

SHEET 22 OF 27



Tiptiptap OÜ

Tiptiptap OÜ
Veetorni 9,
Jüri alevik, Rae vald,
75301 Harjumaa

A

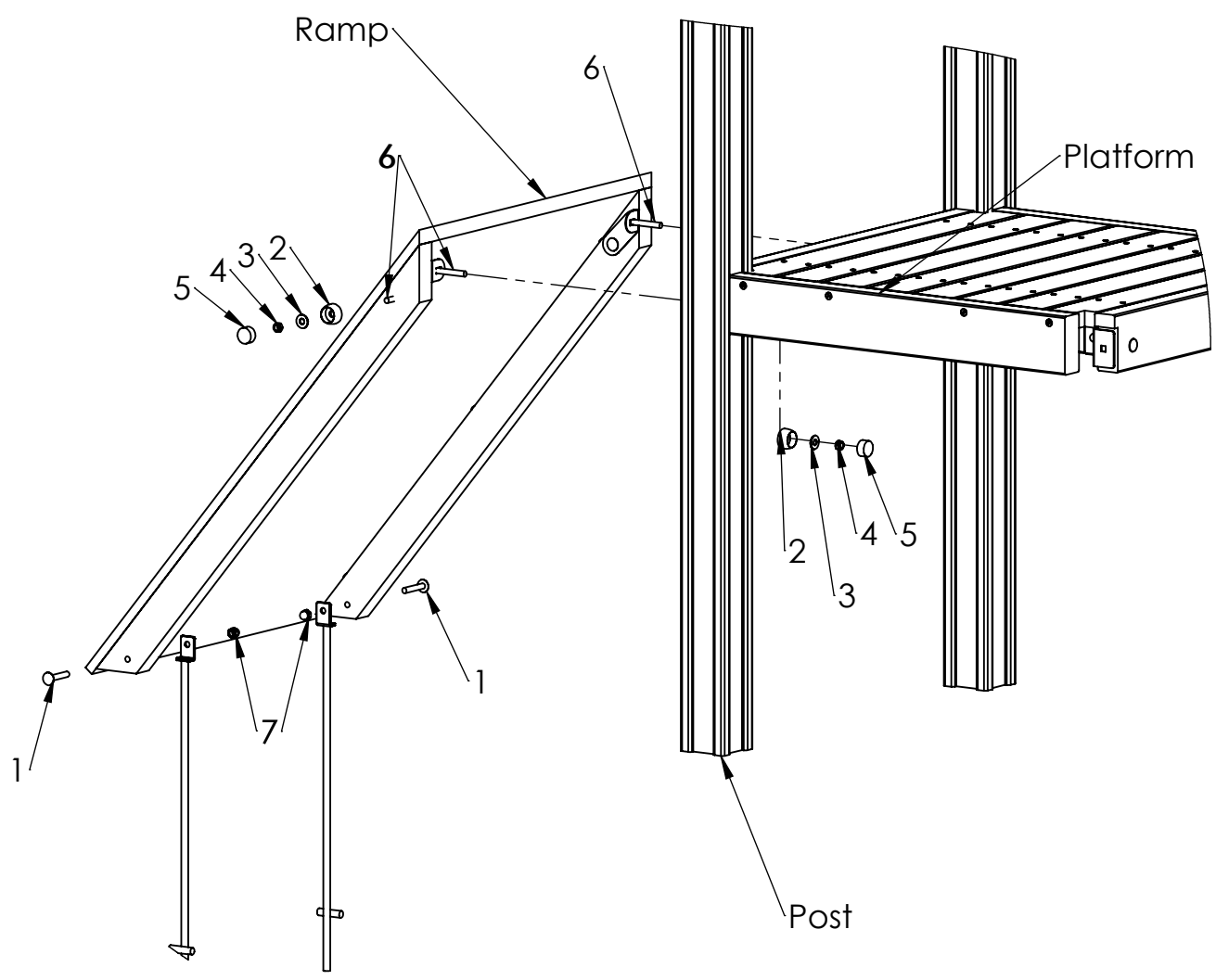
B

C

D

E

F



ITEM NO.	PART NUMBER
1	bolt DIN603 M10x60
2	nut cover M12
3	Washer M10 DIN9054
4	nut DIN985 M10
5	nut cover cap M12
6	bolt DIN603 M10x65
7	domed cap nut DIN986 M10

UNLESS OTHERWISE SPECIFIED: DIMENSIONS ARE IN MILLIMETERS WEIGHT ARE IN KILOGRAMM				
	NAME	SIGNATURE	DATE	REVISION
DRAWN	I.Agar		09.11.2022	
APPV'D				

PART NUMBER / DWG NO.:	LM217
DESCRIPTION:	Play centre Harald connecting ramp to platform



Tiptiptap OÜ
Veetorni 9,
Jüri alevik, Rae vald,
75301 Harjumaa

MATERIAL:	wood, metal, plastic	A4
WEIGHT:		SCALE: 1:13
		SHEET 23 OF 27

A

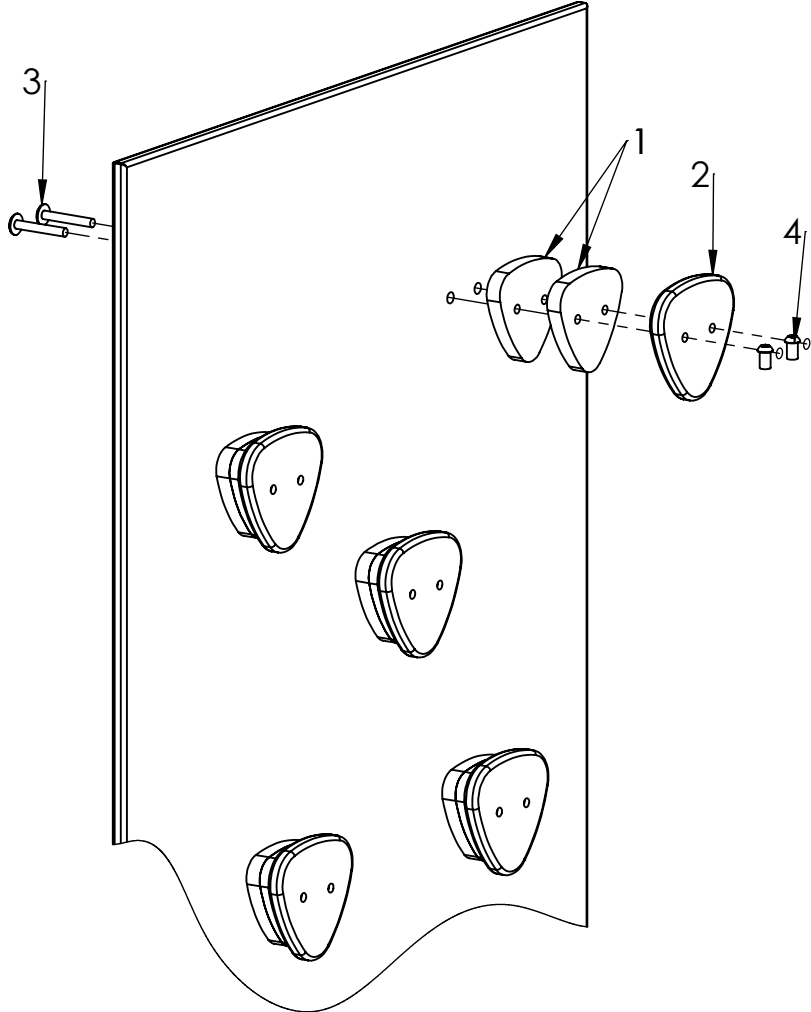
B

C

D

E

F



ITEM NO.	PART NUMBER
1	climbing grip base
2	climbing grip
3	bolt DIN603 M8x60
4	M8 safety nut

UNLESS OTHERWISE SPECIFIED: DIMENSIONS ARE IN MILLIMETERS WEIGHT ARE IN KILOGRAMM				
	NAME	SIGNATURE	DATE	REVISION
DRAWN	I.Agar			
APPV'D				

PART NUMBER / DWG NO.:
LM217

DESCRIPTION:
**Play centre Harald
Assembling climbing grip to ramp**



Tiptiptap OÜ
Veetorni 9,
Jüri alevik, Rae vald,
75301 Harjumaa

MATERIAL:	wood, metal, plastic	A4
WEIGHT:		SCALE: 1:7
		SHEET 24 OF 27

A

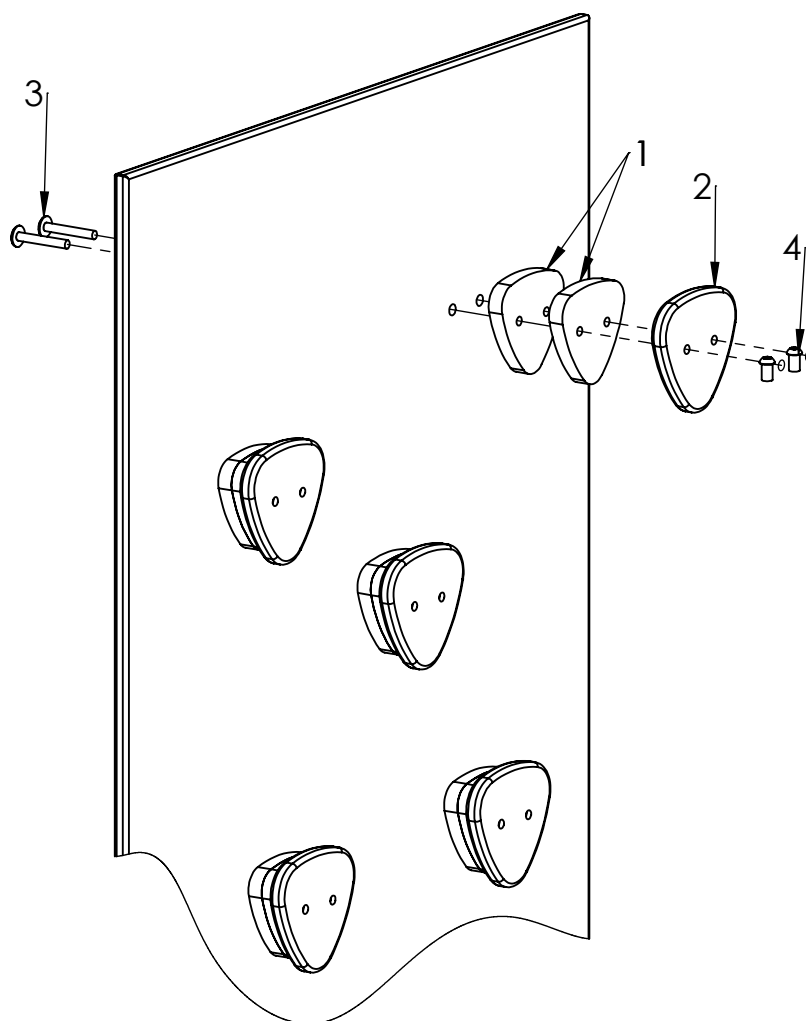
B

C

D

E

F



ITEM NO.	PART NUMBER
1	climbing grip base
2	climbing grip
3	bolt DIN603 M8x55
4	M8 safety nut

UNLESS OTHERWISE SPECIFIED:
DIMENSIONS ARE IN MILLIMETERS
WEIGHT ARE IN KILOGRAMM

PART NUMBER / DWG NO.:

LM217

	NAME	SIGNATURE	DATE	REVISION
DRAWN	I.Agar			
APPV'D				

DESCRIPTION:

Play centre Harald
Assembling climbing grip to wall

MATERIAL:

wood, metal, plastic

A4

WEIGHT:

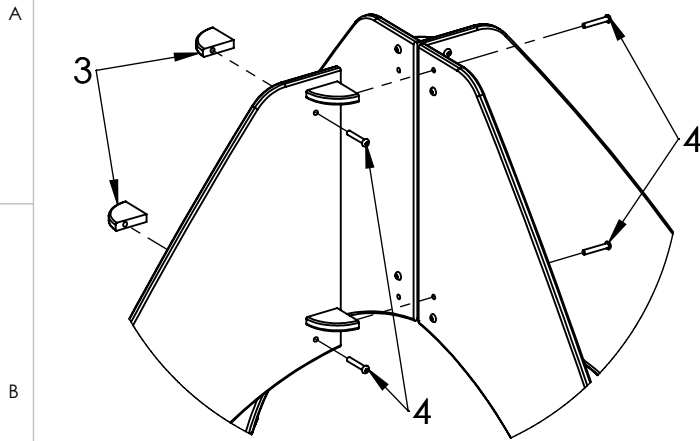
SCALE: 1:7

SHEET 25 OF 27

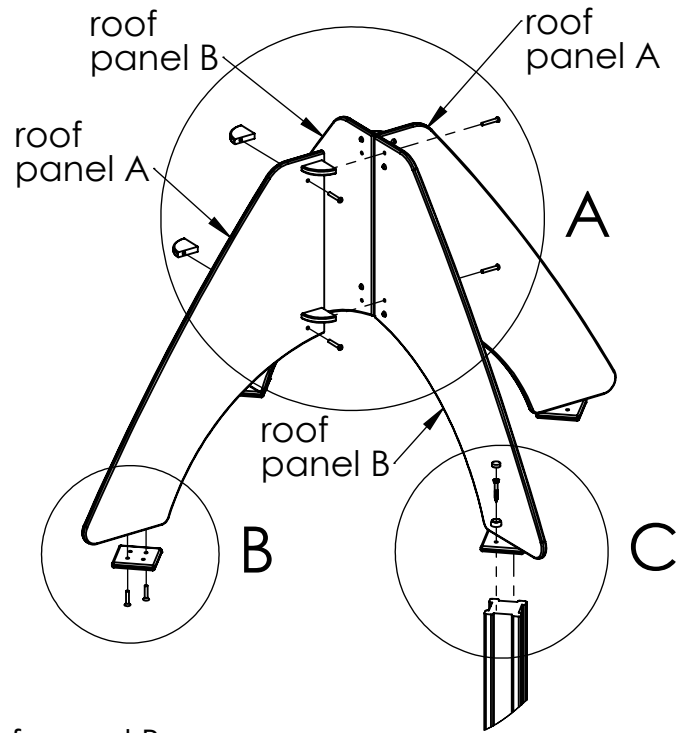


Tiptiptap OÜ

Tiptiptap OÜ
Veetorni 9,
Jüri alevik, Rae vald,
75301 Harjumaa

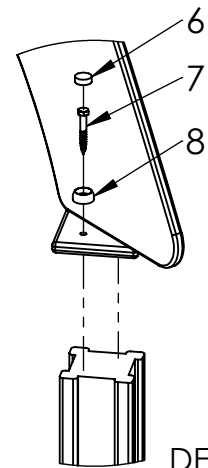
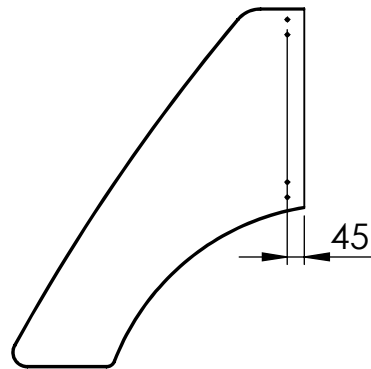
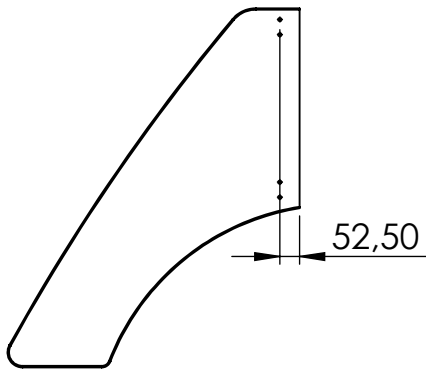


DETAIL A
SCALE 1 : 13

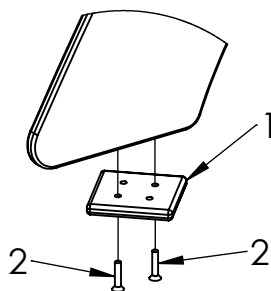


roof panel A

roof panel B



DETAIL C
SCALE 1 : 10



DETAIL B
SCALE 1 : 10

ITEM NO.	PART NUMBER
1	plastic cap 115x115 for roof
2	M8x40 DIN7991
3	plastic corner 90°
4	metal screw DIN 7380 M8x40
5	plastic cap 115x115
6	nut cover cap M8
7	wood screw DIN571 8x60
8	nut cover M8

UNLESS OTHERWISE SPECIFIED:
DIMENSIONS ARE IN MILLIMETERS
WEIGHT ARE IN KILOGRAMM

PART NUMBER / DWG NO.:

LM217

	NAME	SIGNATURE	DATE	REVISION
DRAWN	I.Agar		09.11.2022	
APPV'D				

DESCRIPTION:

Play centre Harald
roof assembly

MATERIAL:

wood, metal, plastic

A4

WEIGHT:

SCALE: 1:50

SHEET 26 OF 27



Tiptiptap OÜ

Tiptiptap OÜ
Veetorni 9,
Jüri alevik, Rae vald,
75301 Harjumaa

Nets and ropes have to be assembled after the foundation concrete has hardened!!!

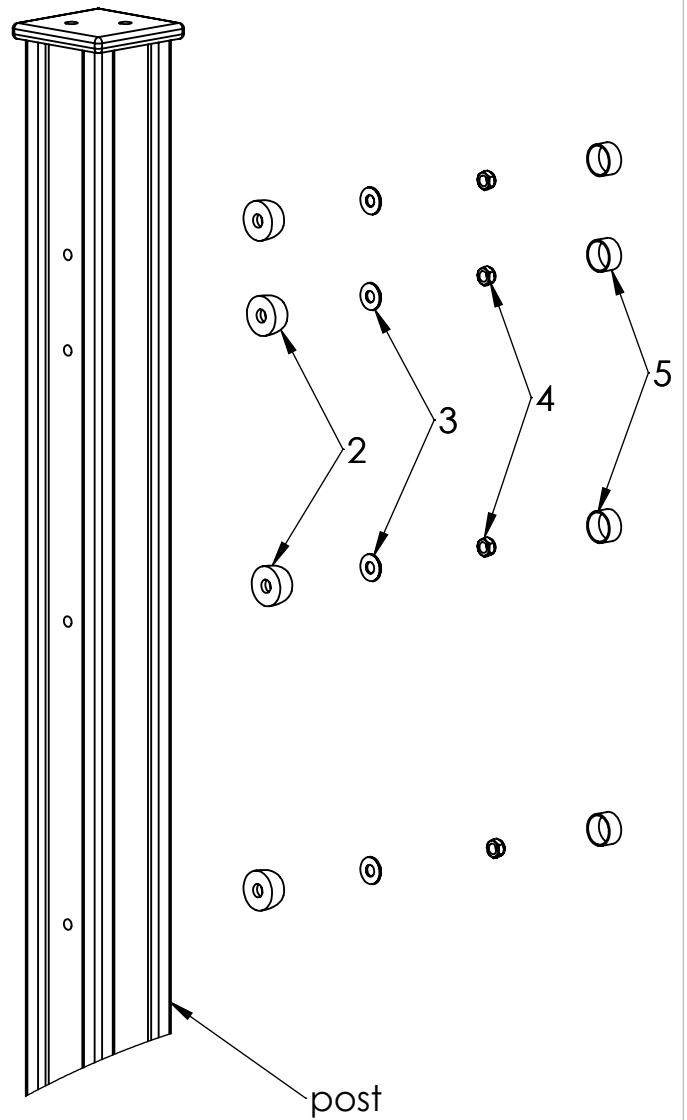
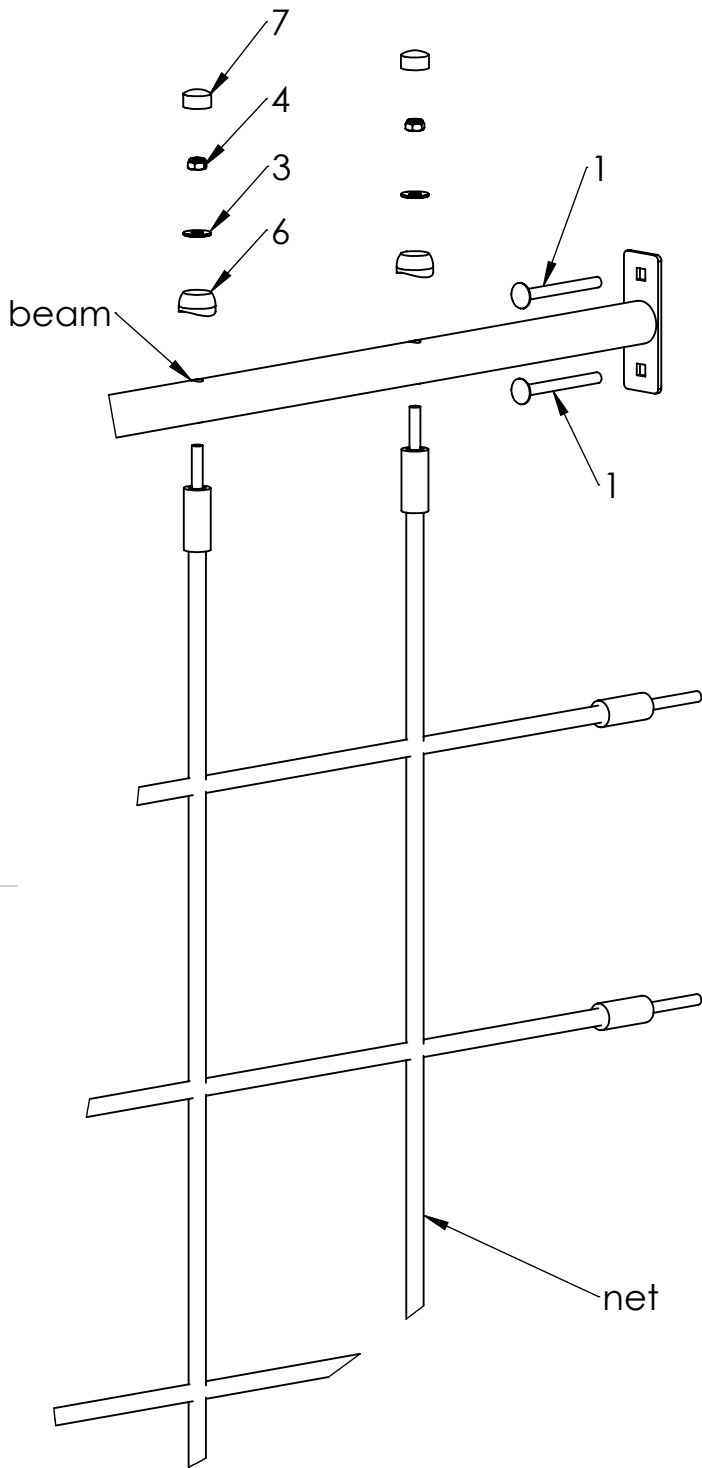
A

B

C

D

E



ITEM NO.	PART NUMBER
1	bolt DIN603 M10x100
2	nut cover M12
3	Washer M10 DIN9054
4	nut DIN985 M10
5	nut cover cap M12
6	nut cover for beam M10
7	nut cover cap M10

UNLESS OTHERWISE SPECIFIED:
DIMENSIONS ARE IN MILLIMETERS
WEIGHT ARE IN KILOGRAMM

PART NUMBER / DWG NO.:

LM217

	NAME	SIGNATURE	DATE	REVISION
DRAWN	I.Agar			
APPV'D				

DESCRIPTION:

Play centre Harald
Connecting beam and climbing net to post



Tiptiptap OÜ

Tiptiptap OÜ
Veetorni 9,
Jüri alevik, Rae vald,
75301 Harjumaa

MATERIAL:

wood, metal, plastic

A4

WEIGHT:

SCALE: 1:7

SHEET 27 OF 27