

A

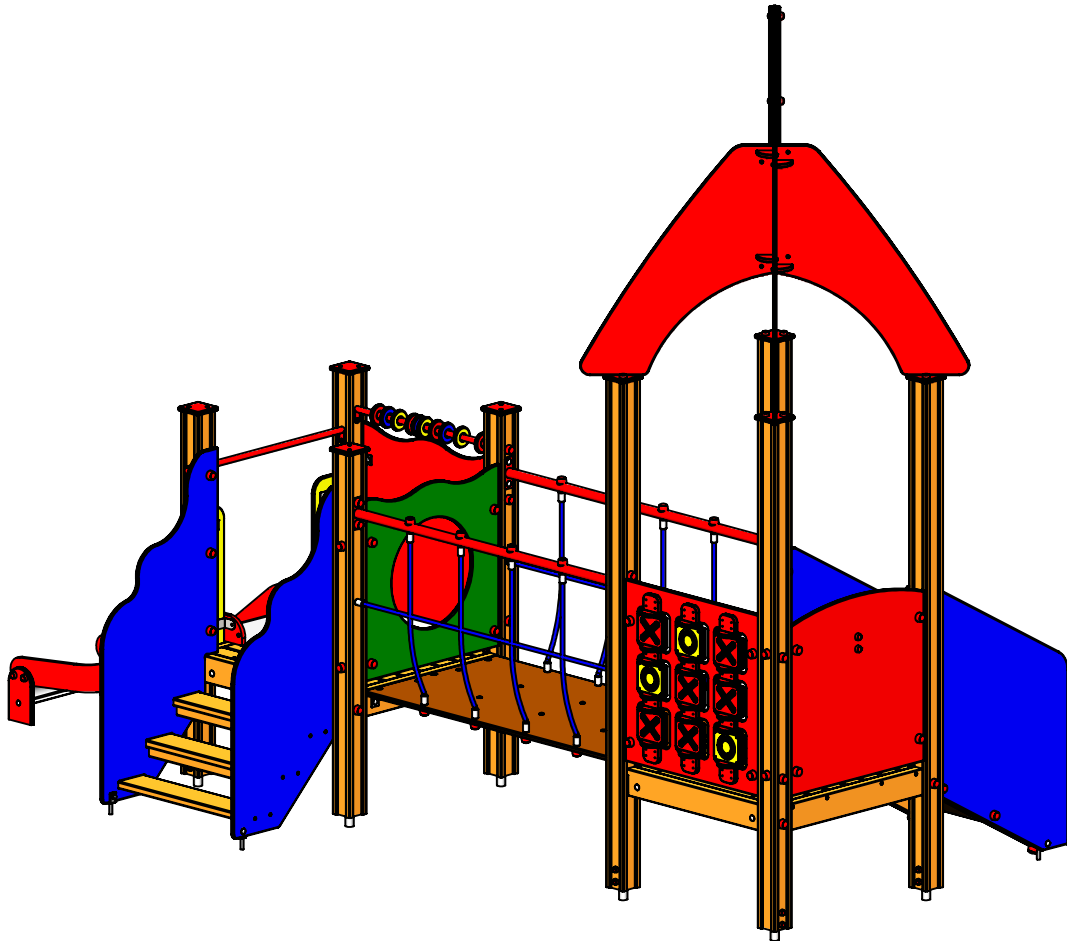
B

C

D

E

F



UNLESS OTHERWISE SPECIFIED:
 DIMENSIONS ARE IN MILLIMETERS
 WEIGHT ARE IN KILOGRAMM

PART NUMBER / DWG NO.:

LM010

	NAME	SIGNATURE	DATE	REVISION
DRAWN	I.Agar		09.03.2022	
APPV'D				

DESCRIPTION:

Play centre Brita



Tiptiptap⁰⁰

MATERIAL:

wood, metal, plastic

A4

WEIGHT:

SCALE: 1:30

SHEET 1 OF 38



A
B
C
D
E

1

2

3

4

UNLESS OTHERWISE SPECIFIED: DIMENSIONS ARE IN MILLIMETERS WEIGHT ARE IN KILOGRAMM				
	NAME	SIGNATURE	DATE	REVISION
DRAWN	I.Agar		09.03.2022	
APPV'D				

PART NUMBER / DWG NO.:
LM010

DESCRIPTION:
Play centre Brita



MATERIAL:	wood, metal, plastic	A4
WEIGHT:	SCALE: 1:30	SHEET 2 OF 38

Safety area

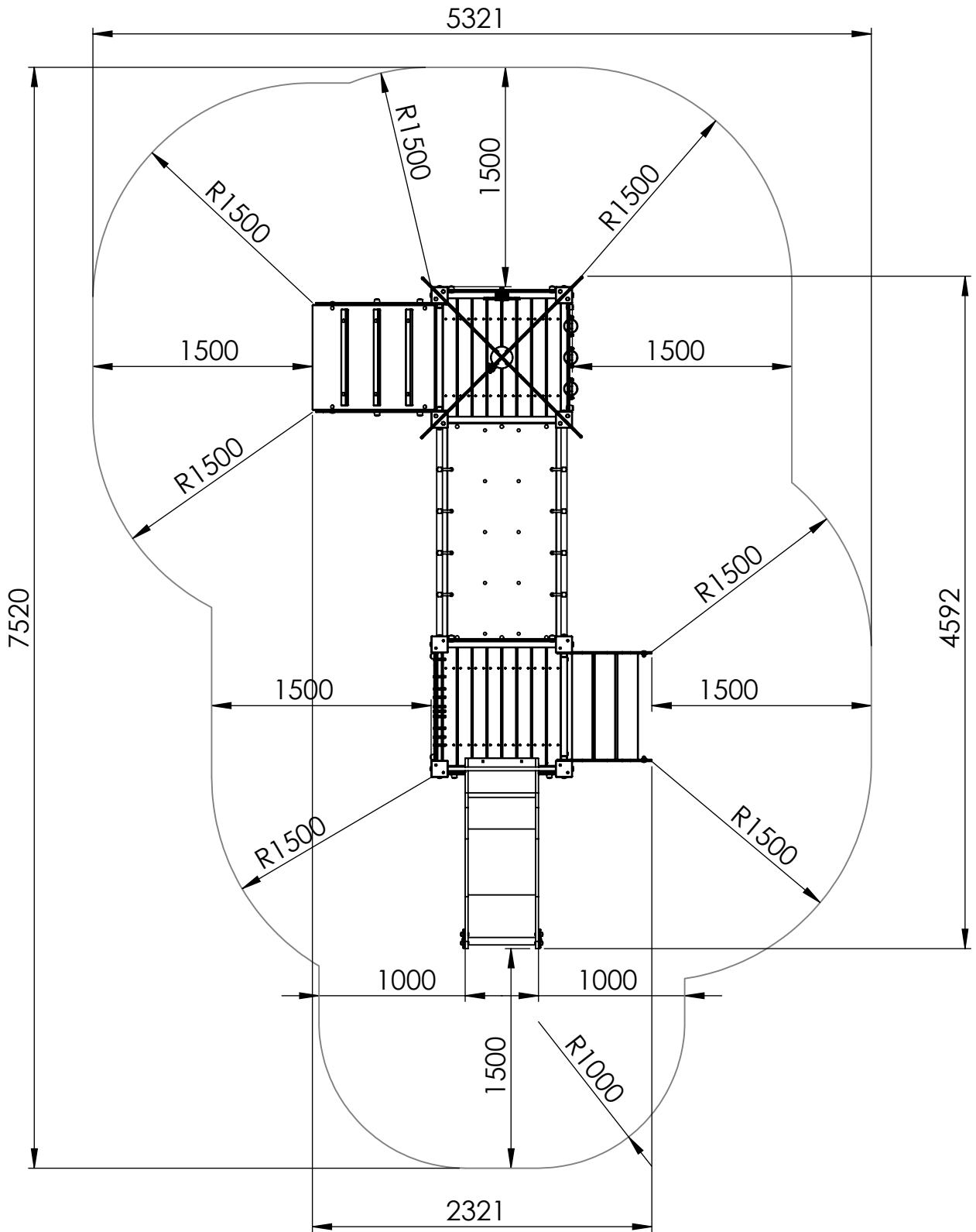
A

B

C

D

E



UNLESS OTHERWISE SPECIFIED:
 DIMENSIONS ARE IN MILLIMETERS
 WEIGHT ARE IN KILOGRAMM

PART NUMBER / DWG NO.:
LM010

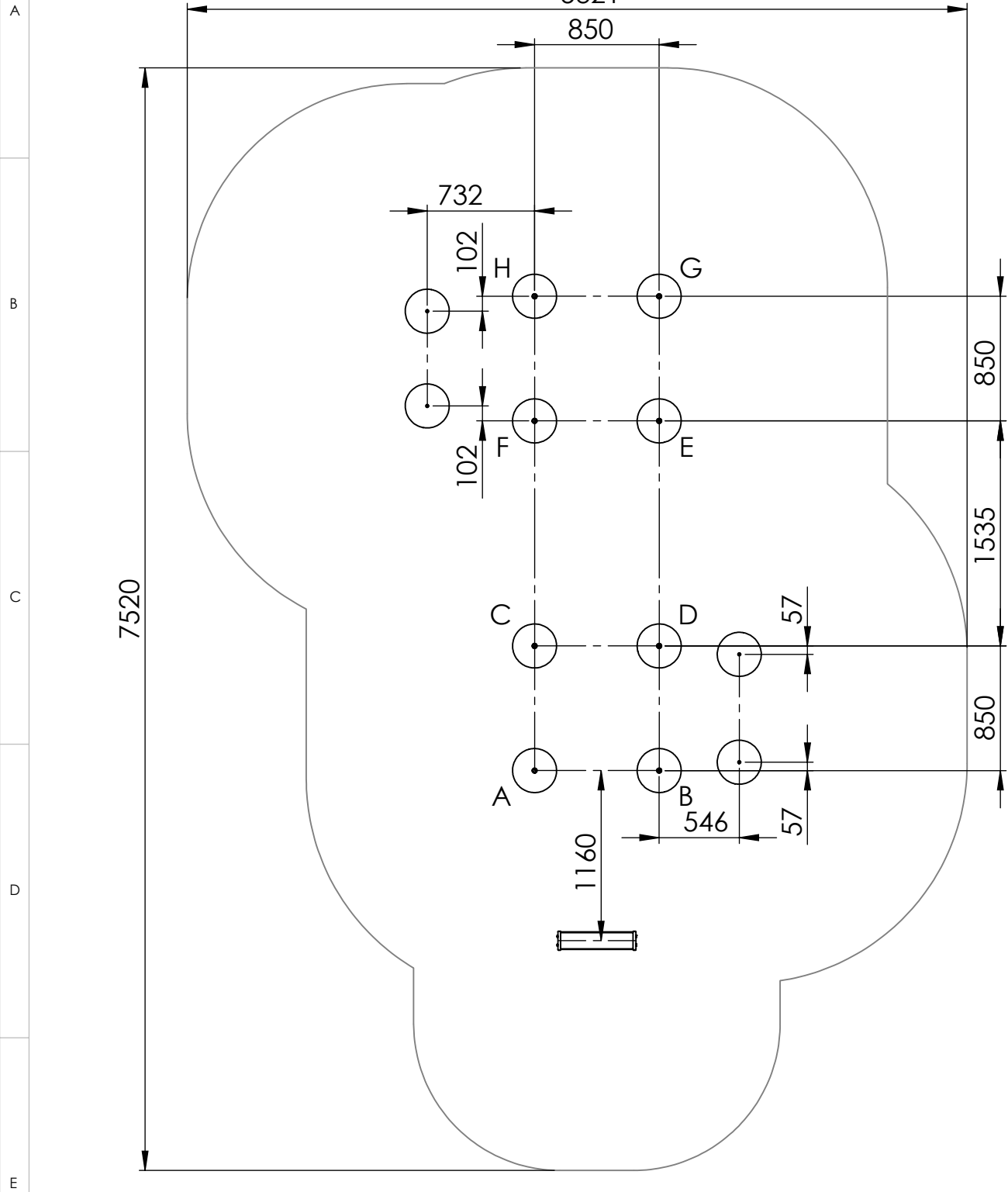
	NAME	SIGNATURE	DATE	REVISION
DRAWN	I.Agar		09.03.2022	
APPV'D				

DESCRIPTION:
Play centre Brita



MATERIAL:	wood, metal, plastic	A4
WEIGHT:		SCALE: 1:40
		SHEET 3 OF 38

Foundation



Depth of foundation: 600mm

UNLESS OTHERWISE SPECIFIED:
DIMENSIONS ARE IN MILLIMETERS
WEIGHT ARE IN KILOGRAMM

PART NUMBER / DWG NO.:

LM010

	NAME	SIGNATURE	DATE	REVISION
DRAWN	I.Agar		09.03.2022	
APPV'D				

DESCRIPTION:

Play centre Brita



Tiptap^{ÖÜ}

MATERIAL:

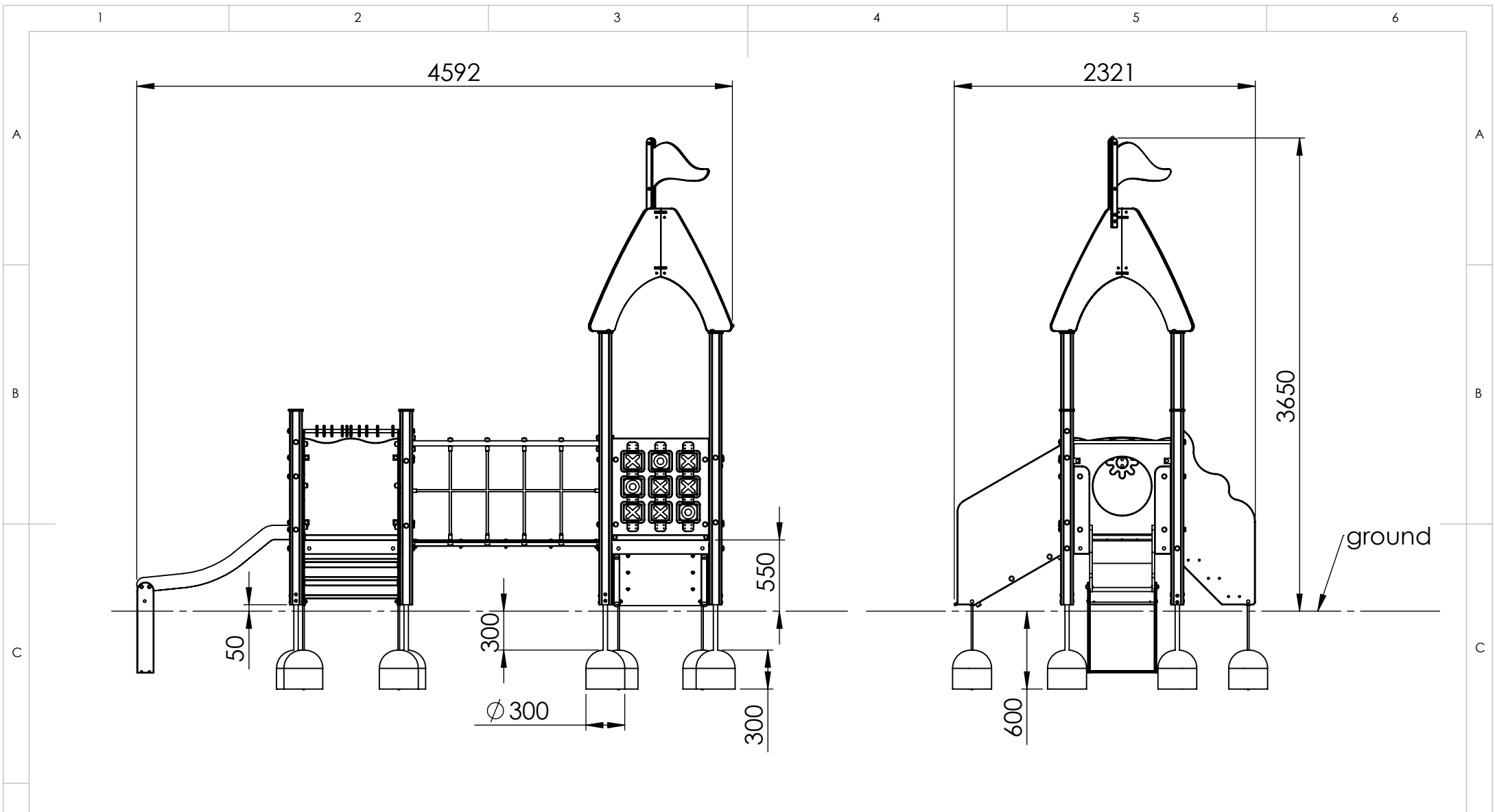
wood, metal, plastic

A4

WEIGHT:

SCALE: 1:40

SHEET 4 OF 38



UNLESS OTHERWISE SPECIFIED: DIMENSIONS ARE IN MILLIMETERS WEIGHT ARE IN KILOGRAMM					PART NUMBER / DWG NO.:	
					LM010	
					DESCRIPTION:	
					Play centre Brita	
					MATERIAL:	
					wood, metal, plastic	
					WEIGHT:	
					SCALE: 1:40	
					SHEET 5 OF 38	

	NAME	SIGNATURE	DATE	REVISION
DRAWN	I.Agar		09.03.2022	
APPV'D				



A

LM010 98x98x1500 Post A

LM010 98x98x1500 Post C

B

LM010 98x98x1500 Post B

LM010 98x98x1500 Post D

C

LM010 98x98x2100 Post E

LM010 98x98x2100 Post G

D

E

LM010 98x98x2100 Post F

LM010 98x98x2100 Post H

UNLESS OTHERWISE SPECIFIED:
DIMENSIONS ARE IN MILLIMETERS
WEIGHT ARE IN KILOGRAMM

PART NUMBER / DWG NO.:
LM010

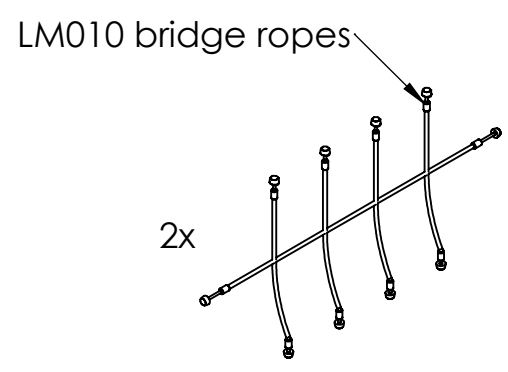
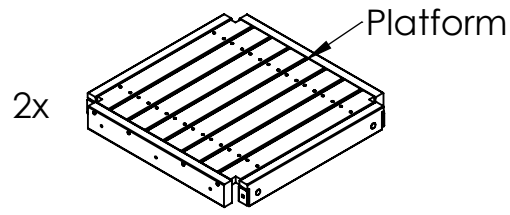
	NAME	SIGNATURE	DATE	REVISION
DRAWN	I.Agar		09.03.2022	
APPV'D				

DESCRIPTION:
Play centre Brita

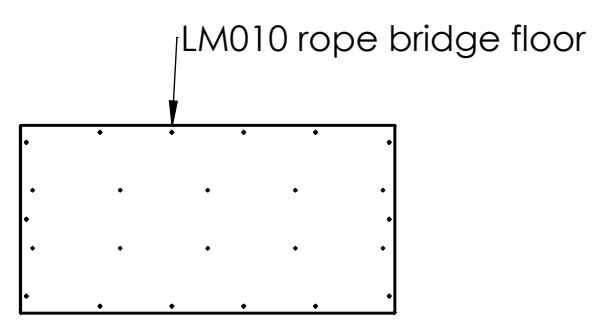
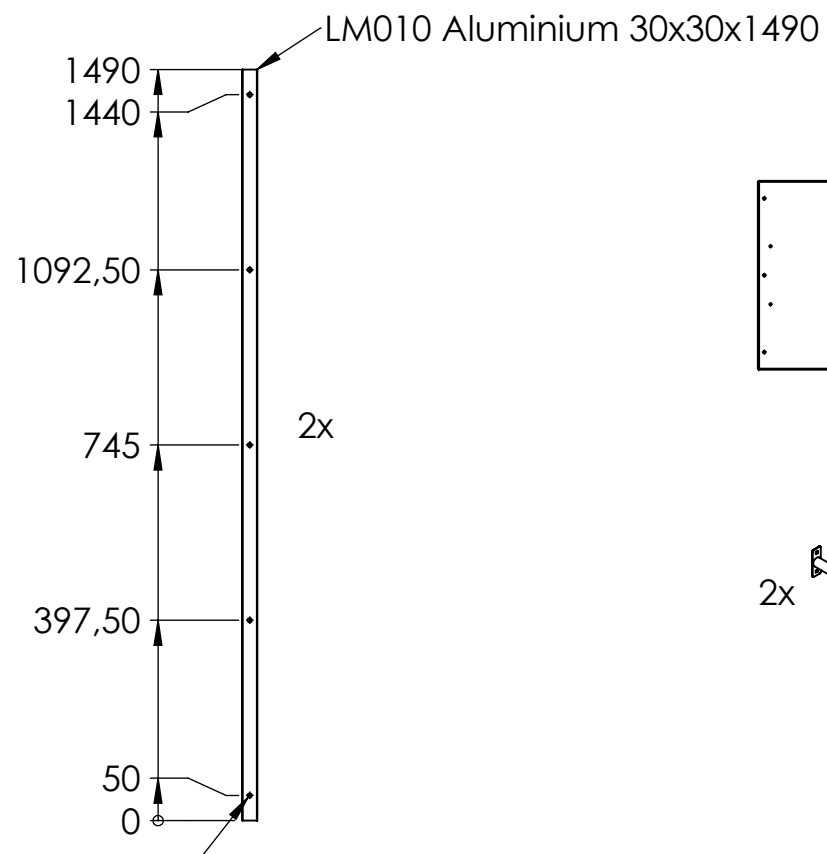


MATERIAL:	wood, metal, plastic	A4
WEIGHT:	SCALE: 1:30	SHEET 6 OF 38

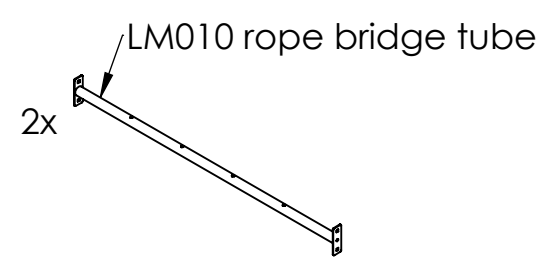
A



B

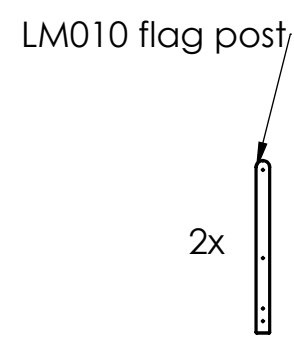
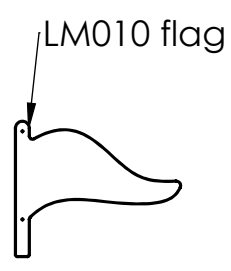


C



D

E



UNLESS OTHERWISE SPECIFIED:
DIMENSIONS ARE IN MILLIMETERS
WEIGHT ARE IN KILOGRAMM

	NAME	SIGNATURE	DATE	REVISION
DRAWN	I.Agar		09.03.2022	
APPV'D				

PART NUMBER / DWG NO.:	LM010
DESCRIPTION:	Play centre Brita

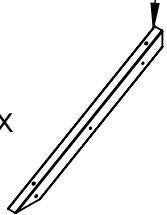


MATERIAL:	wood, metal, plastic	A4
WEIGHT:	SCALE: 1:30	SHEET 7 OF 38

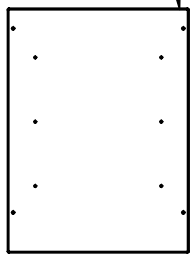
A

LM010 Ramp beam

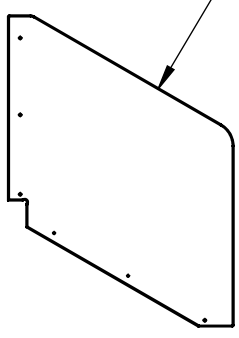
2x



LM010 Ramp panel



LM010 ramp side panel, left



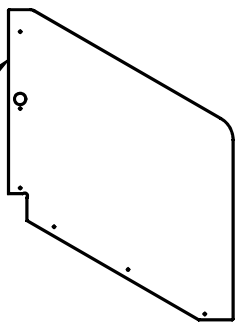
B

3x



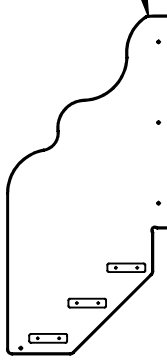
30x40x660 slat

LM010 ramp side panel, right

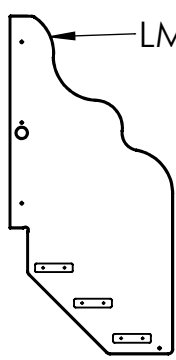


C

LM010 Stair side panel, left

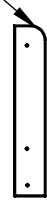


LM010 Stair side panel, right



D

Slide side panel 126x680



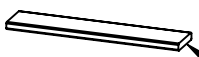
2x

E

2x



Step 30x145x730 with slat



Step 30x145x730mm

F

UNLESS OTHERWISE SPECIFIED: DIMENSIONS ARE IN MILLIMETERS WEIGHT ARE IN KILOGRAMM				
	NAME	SIGNATURE	DATE	REVISION
DRAWN	I.Agar		09.03.2022	
APPV'D				

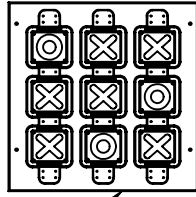
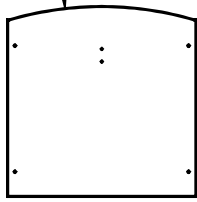
PART NUMBER / DWG NO.:	LM010		
DESCRIPTION:	Play centre Brita		



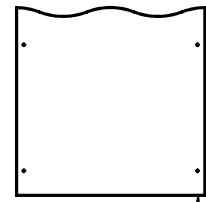
MATERIAL:	wood, metal, plastic	A4
WEIGHT:	SCALE: 1:30	SHEET 8 OF 38

1 2 3 4
 Playground upward curved panel with wheel, lower hole 100mm

A

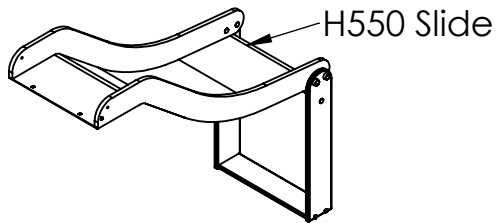


Tic Tac Toe panel

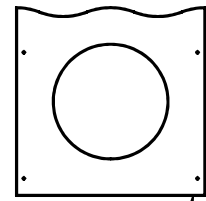


B

Playground wave curved panel, lower hole 100mm

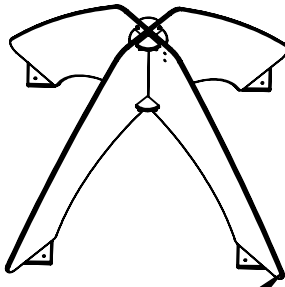


H550 Slide



C

Playground wave curved panel, with hole, lower hole 70mm



4 arched roof



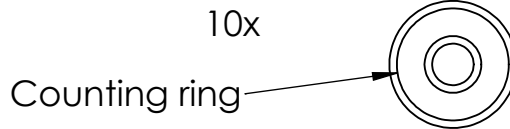
2x
 Guardrail D25x770

D

E



Small captain wheel



10x

Counting ring

F

UNLESS OTHERWISE SPECIFIED:
 DIMENSIONS ARE IN MILLIMETERS
 WEIGHT ARE IN KILOGRAMM

PART NUMBER / DWG NO.:

LM010

	NAME	SIGNATURE	DATE	REVISION
DRAWN	I.Agar		09.03.2022	
APPV'D				

DESCRIPTION:

Play centre Brita

MATERIAL:

wood, metal, plastic

A4

WEIGHT:

SCALE: 1:30

SHEET 9 OF 38



Tiptiptap OÜ

Wood profile post gap and groundfixing assembly

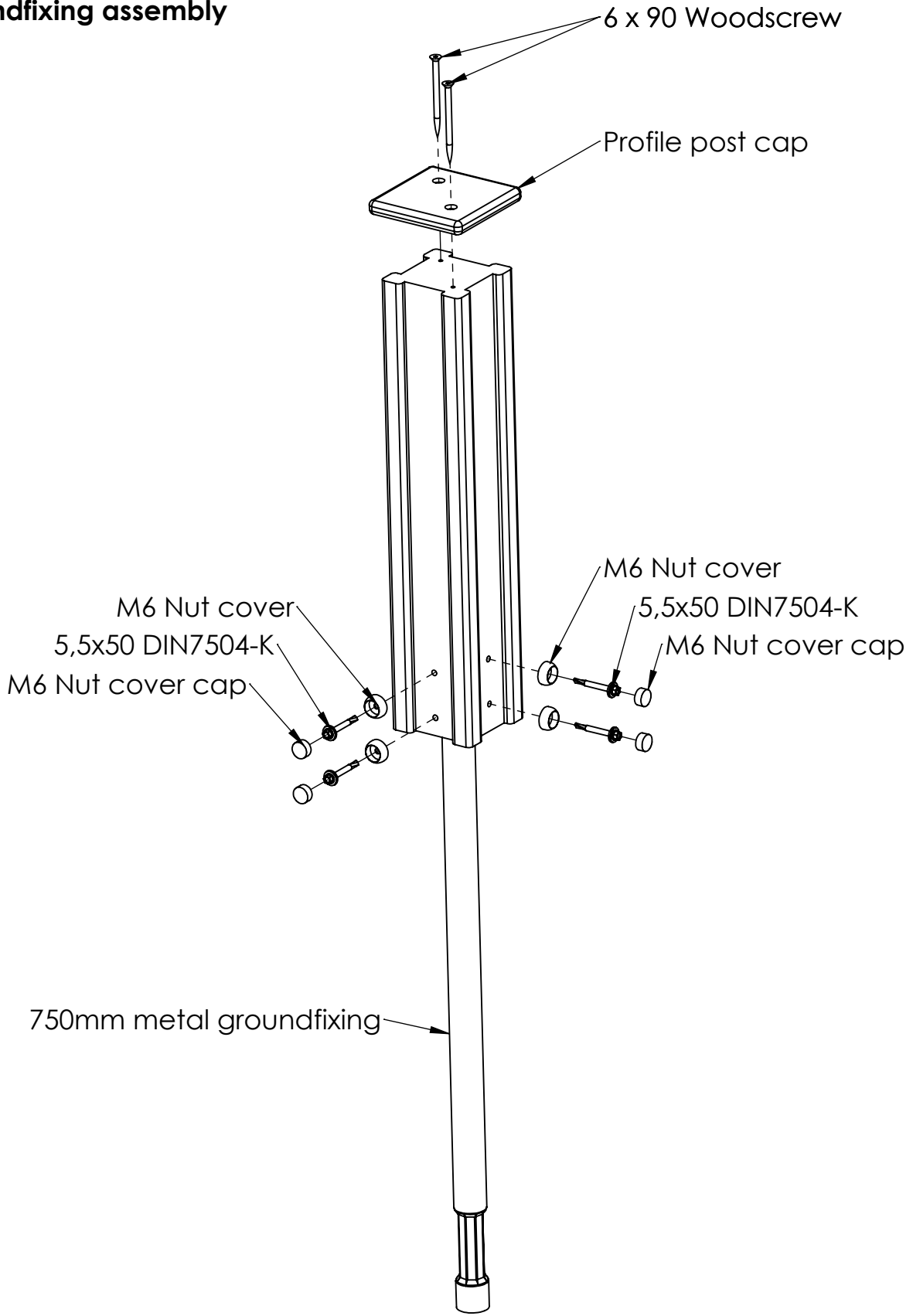
A

B

C

D

E



UNLESS OTHERWISE SPECIFIED:
 DIMENSIONS ARE IN MILLIMETERS
 WEIGHT ARE IN KILOGRAMM

PART NUMBER / DWG NO.:

LM010

	NAME	SIGNATURE	DATE	REVISION
DRAWN	I.Agar		09.03.2022	
APPV'D				

DESCRIPTION:

Play centre Brita

F



Tiptiptap⁰⁰

MATERIAL:

wood, metal, plastic

A4

WEIGHT:

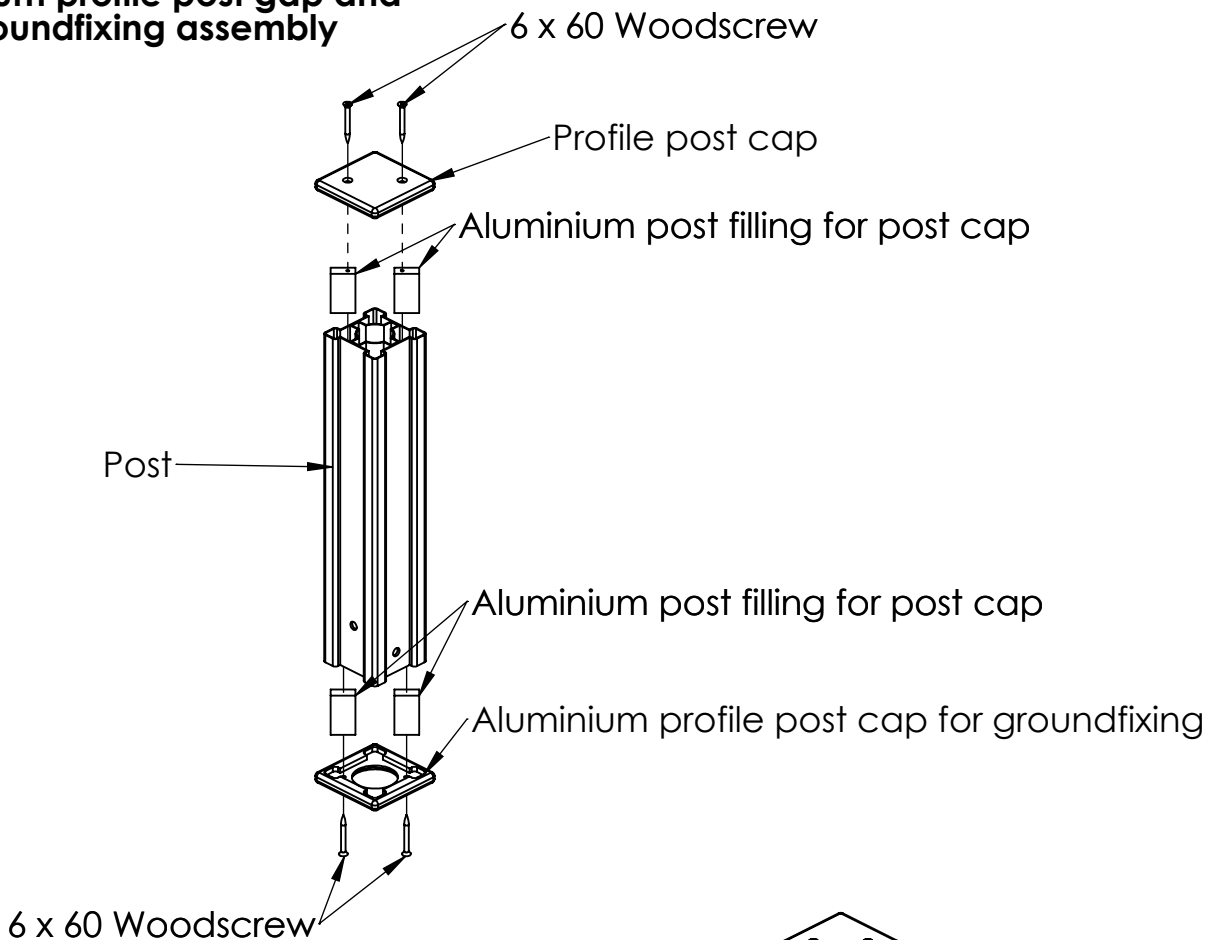
SCALE: 1:6

SHEET 10 OF 38

Aluminium profile post gap and tube groundfixing assembly

A

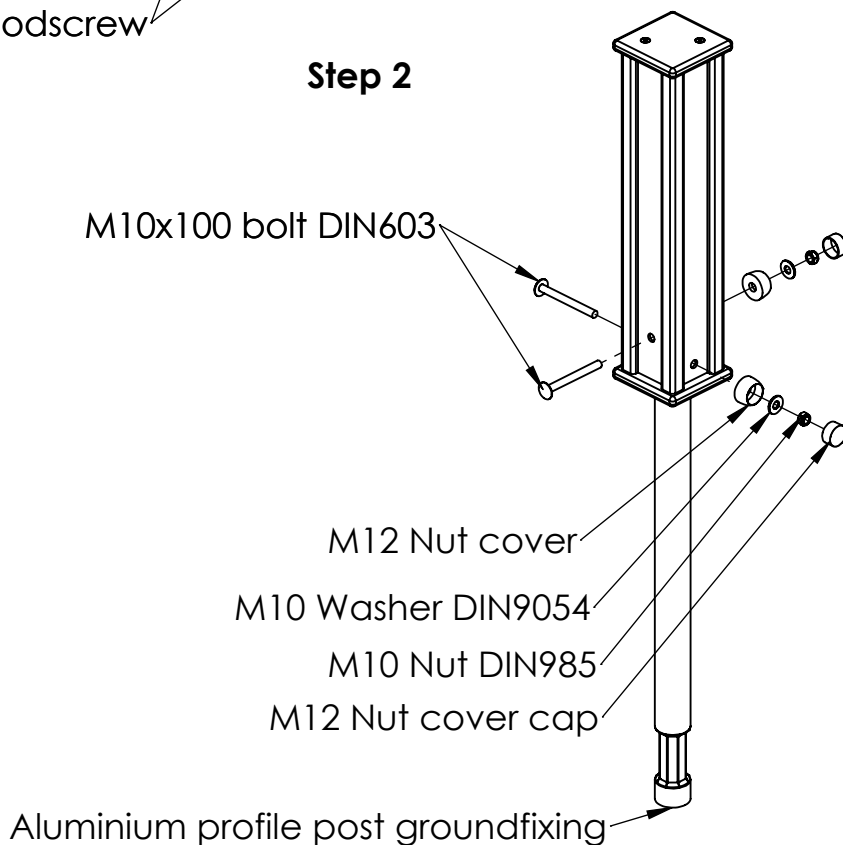
Step 1



B

C

Step 2



D

E

UNLESS OTHERWISE SPECIFIED:
 DIMENSIONS ARE IN MILLIMETERS
 WEIGHT ARE IN KILOGRAMM

PART NUMBER / DWG NO.:

LM010

	NAME	SIGNATURE	DATE	REVISION
DRAWN	I.Agar		09.03.2022	
APPV'D				

DESCRIPTION:

Play centre Brita

MATERIAL:

wood, metal, plastic

A4

WEIGHT:

SCALE: 1:10

SHEET 11 OF 38

F



Tiptiptap ⁰⁰

DETAIL A SCALE 1 : 15

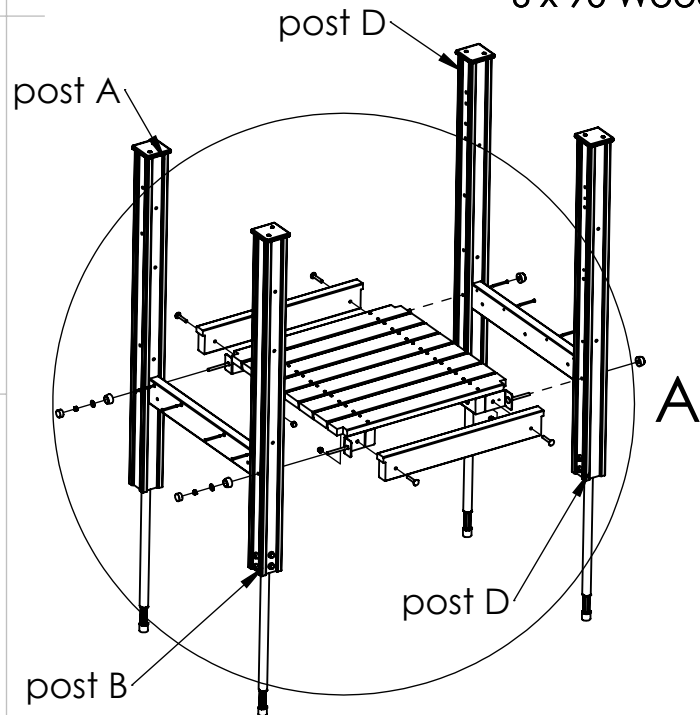
M12 Nut cover
M10 Washer DIN9054
M10 Nut DIN985
M12 Nut cover cap

M10x60 bolt DIN603

6 x 90 Woodscrew

M12 Nut cover cap
M10 Nut DIN985
M10 Washer DIN9054
M12 Nut cover

M10x100 bolt DIN603
M10x60 bolt DIN603
M10 domed cap nut DIN986



UNLESS OTHERWISE SPECIFIED:
DIMENSIONS ARE IN MILLIMETERS
WEIGHT ARE IN KILOGRAMM

PART NUMBER / DWG NO.:

LM010

	NAME	SIGNATURE	DATE	REVISION
DRAWN	I. Agar		09.03.2022	
APPV'D				

DESCRIPTION:

Play centre Brita

MATERIAL:

wood, metal, plastic

A4

WEIGHT:

SCALE: 1:30

SHEET 12 OF 38



Tiptap^{oü}

DETAIL B SCALE 1 : 15

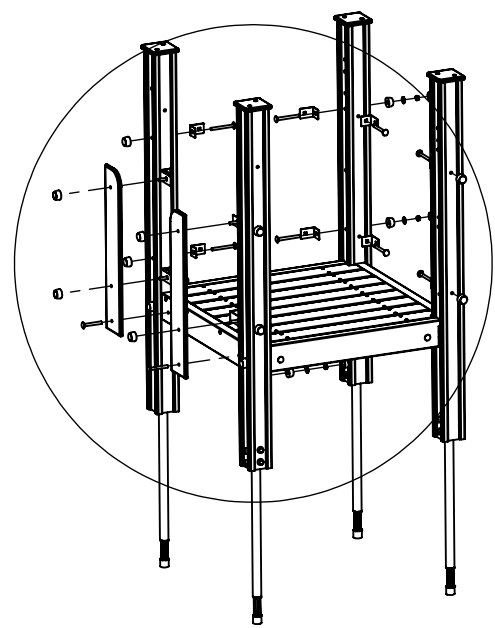
Corner 40x45x60mm 90°

M10x100 bolt DIN603

Slide side panel 126x680

M10x80 bolt DIN603

M12 Nut cover cap
M10 Nut DIN985
M10 Washer DIN9054
M12 Nut cover



B

UNLESS OTHERWISE SPECIFIED:
DIMENSIONS ARE IN MILLIMETERS
WEIGHT ARE IN KILOGRAMM

PART NUMBER / DWG NO.:
LM010

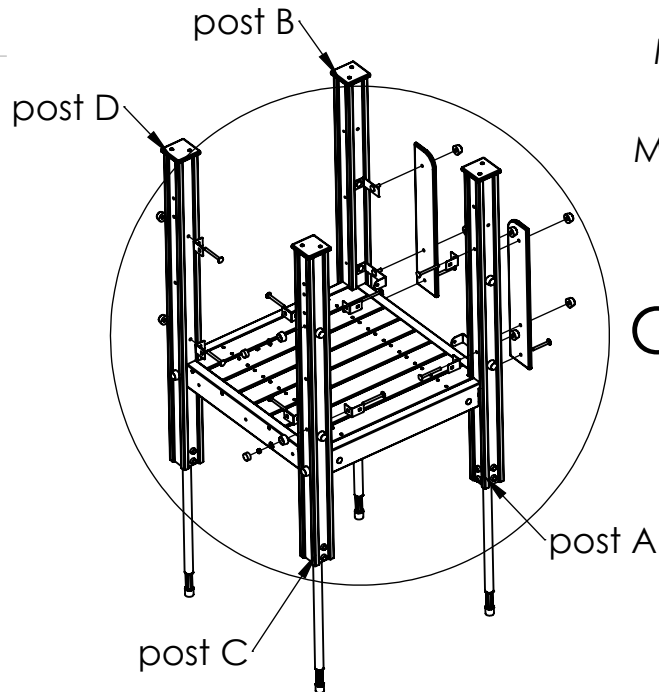
	NAME	SIGNATURE	DATE	REVISION
DRAWN	I.Agar		09.03.2022	
APPV'D				

DESCRIPTION:
Play centre Brita



MATERIAL:	wood, metal, plastic	A4
WEIGHT:		SCALE: 1:30
		SHEET 13 OF 38

DETAIL C SCALE 1 : 15



M10x100 bolt DIN603

M12 Nut cover cap
M10 Nut DIN985
M10 Washer DIN9054
M12 Nut cover

M12 Nut cover cap
M10 Nut DIN985
M10 Washer DIN9054
M12 Nut cover

M10x100 bolt DIN603

UNLESS OTHERWISE SPECIFIED:
DIMENSIONS ARE IN MILLIMETERS
WEIGHT ARE IN KILOGRAMM

PART NUMBER / DWG NO.:

LM010

	NAME	SIGNATURE	DATE	REVISION
DRAWN	I.Agar		09.03.2022	
APPV'D				

DESCRIPTION:

Play centre Brita

MATERIAL:

wood, metal, plastic

A4

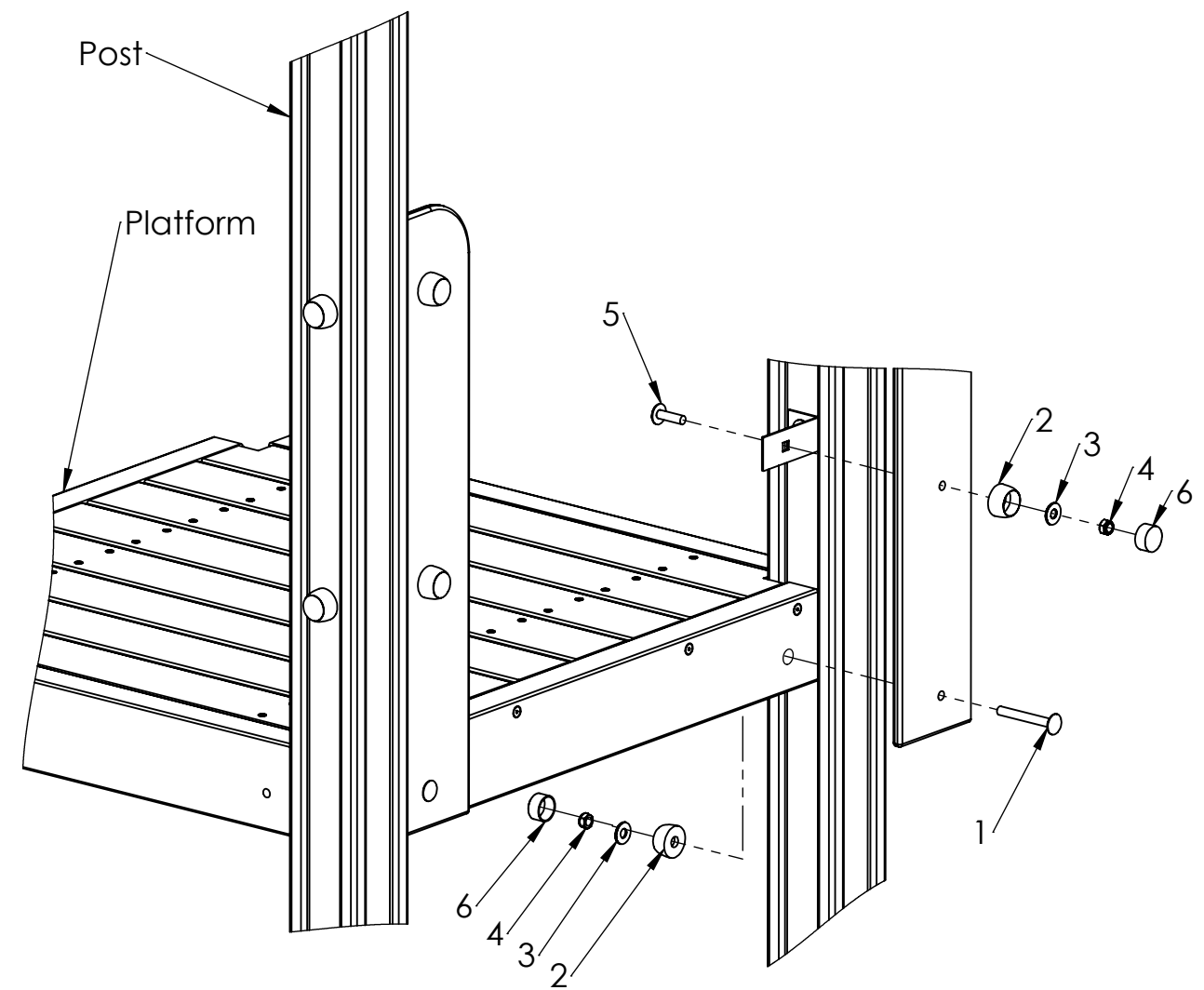
WEIGHT:

SCALE: 1:30

SHEET 14 OF 38



Tiptap^{OU}



ITEM NO.	PART NUMBER
1	bolt DIN603 M10x80
2	nut cover M12
3	Washer M10 DIN9054
4	nut DIN985 M10
5	bolt DIN603 M10x35
6	nut cover cap M12

UNLESS OTHERWISE SPECIFIED:
DIMENSIONS ARE IN MILLIMETERS
WEIGHT ARE IN KILOGRAMM

PART NUMBER / DWG NO.:

LM010

	NAME	SIGNATURE	DATE	REVISION
DRAWN	I.Agar		09.03.2022	
APPV'D				

DESCRIPTION:

Play centre Brita



Tiptiptap OÜ

MATERIAL:

wood, metal, plastic

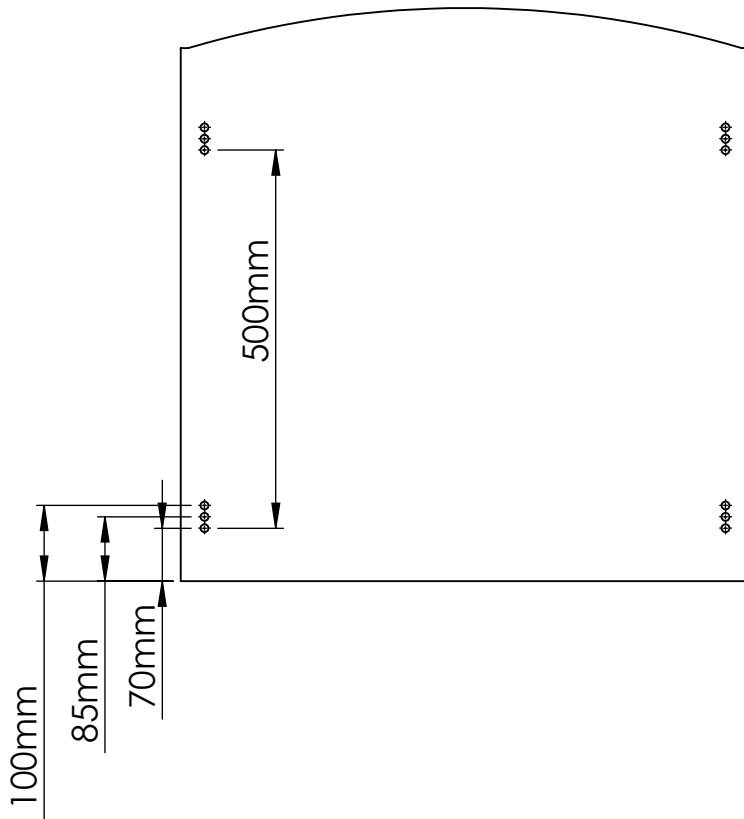
A4

WEIGHT:

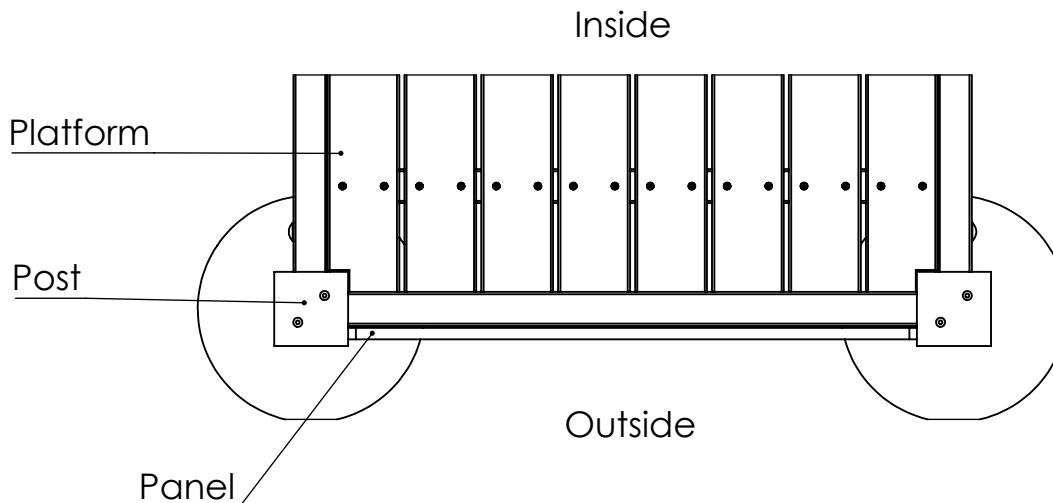
SCALE: 1:8

SHEET 15 OF 38

Explanation of the 'lower hole' behind the panel name:



The panel must be installed on the post as shown in the picture!



UNLESS OTHERWISE SPECIFIED:
DIMENSIONS ARE IN MILLIMETERS
WEIGHT ARE IN KILOGRAMM

PART NUMBER / DWG NO.:

LM010

	NAME	SIGNATURE	DATE	REVISION
DRAWN	I.Agar		09.03.2022	
APPV'D				

DESCRIPTION:

Play centre Brita
connecting panel to post

MATERIAL:

wood, metal, plastic

A4

WEIGHT:

SCALE: 1:10

SHEET 16 OF 38



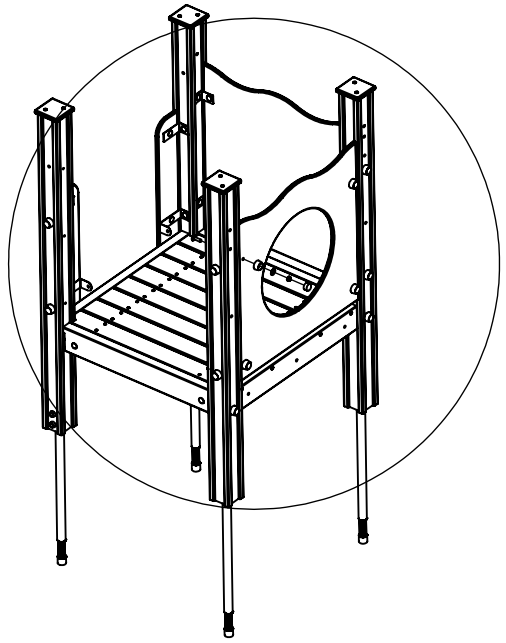
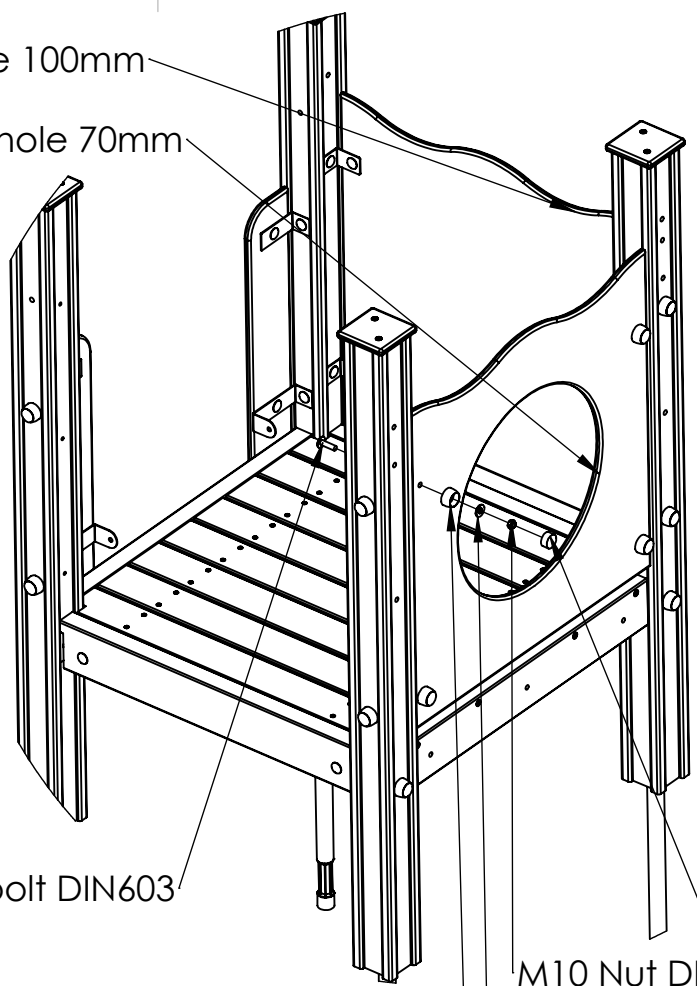
Tiptap OÜ

DETAIL D SCALE 1 : 15


Playground wave curved panel, lower hole 100mm

Playground wave curved panel, with hole, lower hole 70mm

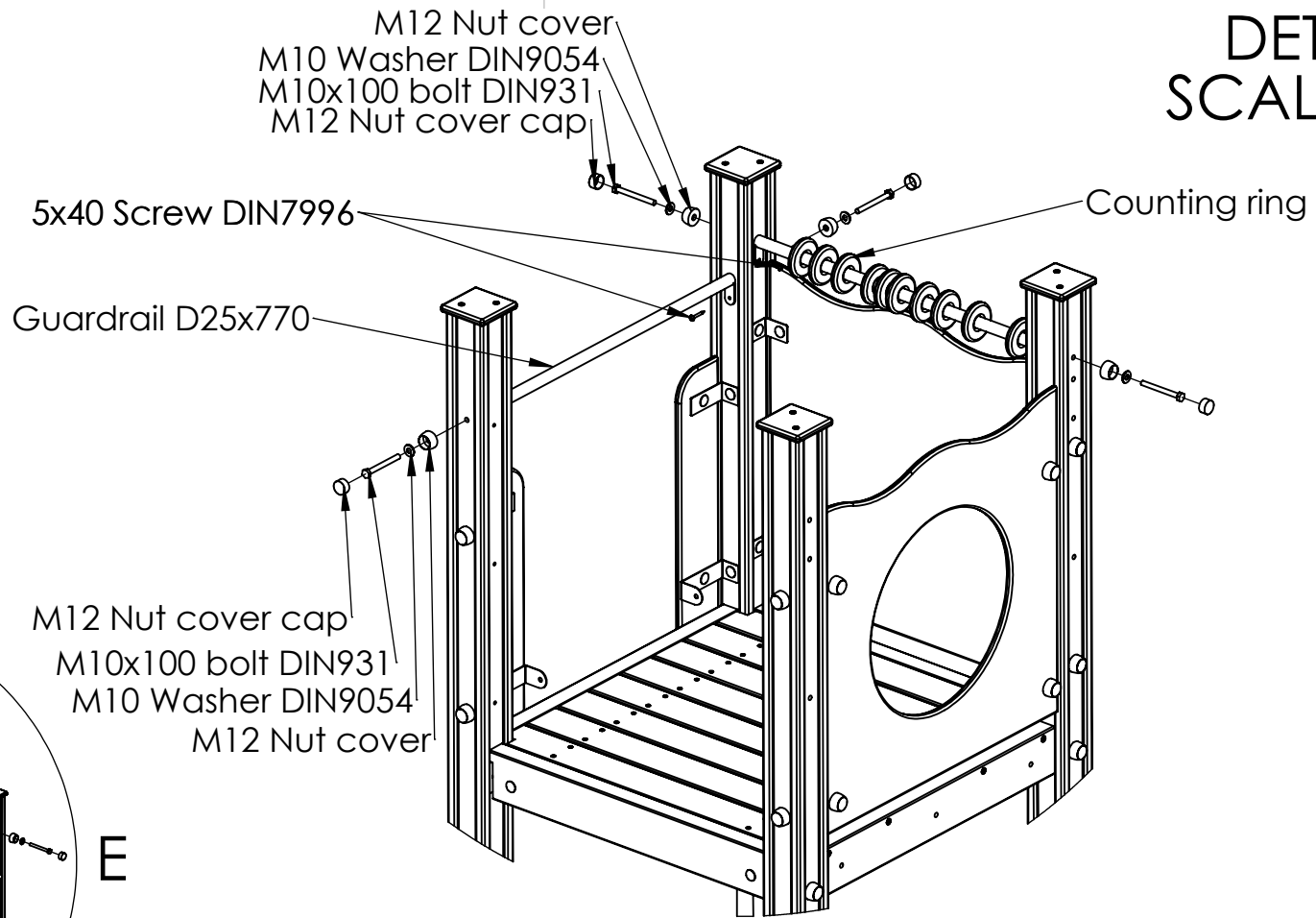
All panels are installed in the same way as shown in the picture!!



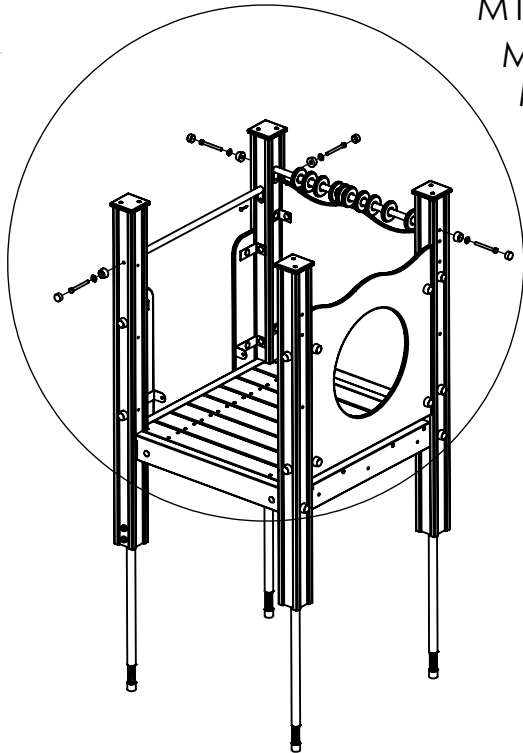
- D M10x35 bolt DIN603
- M12 Nut cover cap
- M10 Nut DIN985
- M10 Washer DIN9054
- M12 Nut cover

UNLESS OTHERWISE SPECIFIED: DIMENSIONS ARE IN MILLIMETERS WEIGHT ARE IN KILOGRAMM					PART NUMBER / DWG NO.: LM010		
	NAME	SIGNATURE	DATE	REVISION	DESCRIPTION: Play centre Brita		
DRAWN	I.Agar		09.03.2022				
APPV'D							
 Tiptiptap ^{OU}					MATERIAL: wood, metal, plastic		A4
					WEIGHT:		SCALE: 1:30

DETAIL E SCALE 1 : 15



M12 Nut cover cap
M10x100 bolt DIN931
M10 Washer DIN9054
M12 Nut cover



E

UNLESS OTHERWISE SPECIFIED:
DIMENSIONS ARE IN MILLIMETERS
WEIGHT ARE IN KILOGRAMM

PART NUMBER / DWG NO.:

LM010

	NAME	SIGNATURE	DATE	REVISION
DRAWN	I. Agar		09.03.2022	
APPV'D				

DESCRIPTION:

Play centre Brita

MATERIAL:

wood, metal, plastic

A4

WEIGHT:

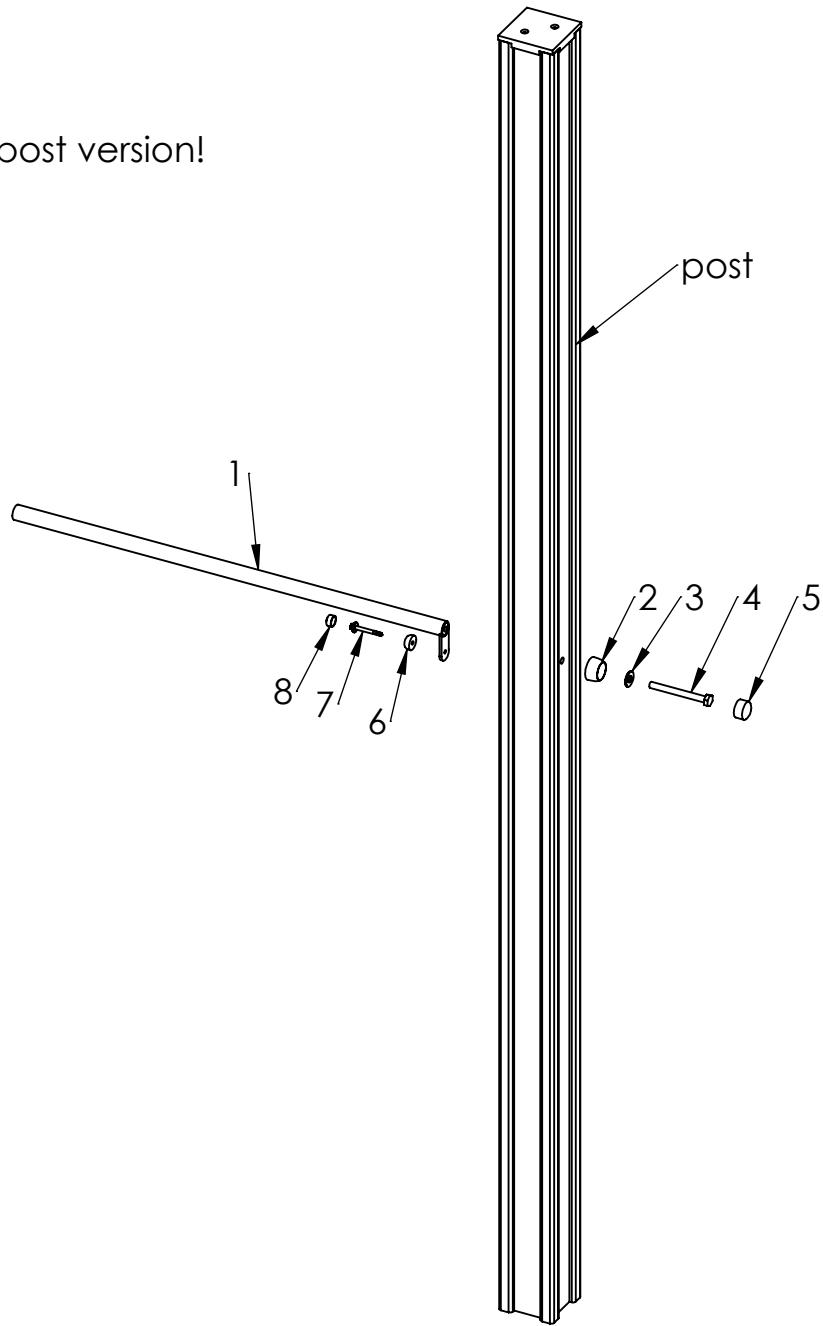
SCALE: 1:30

SHEET 18 OF 38



Tiptap^{OU}

Aluminium post version!



ITEM NO.	PART NUMBER
1	guardrail ϕ 25x770
2	nut cover M12
3	Washer M10 DIN9054
4	bolt DIN931 M10x100
5	nut cover cap M12
6	nut cover M6
7	screw DIN7504K 5,5x50
8	nut cover cap M6

UNLESS OTHERWISE SPECIFIED:
DIMENSIONS ARE IN MILLIMETERS
WEIGHT ARE IN KILOGRAMM

PART NUMBER / DWG NO.:

LM010

	NAME	SIGNATURE	DATE	REVISION
DRAWN	I.Agar			
APPV'D				

DESCRIPTION:

Play centre Brita

MATERIAL:

wood, metal, plastic

A4

WEIGHT:

SCALE: 1:12

SHEET 19 OF 38



Tiptiptap⁰⁰

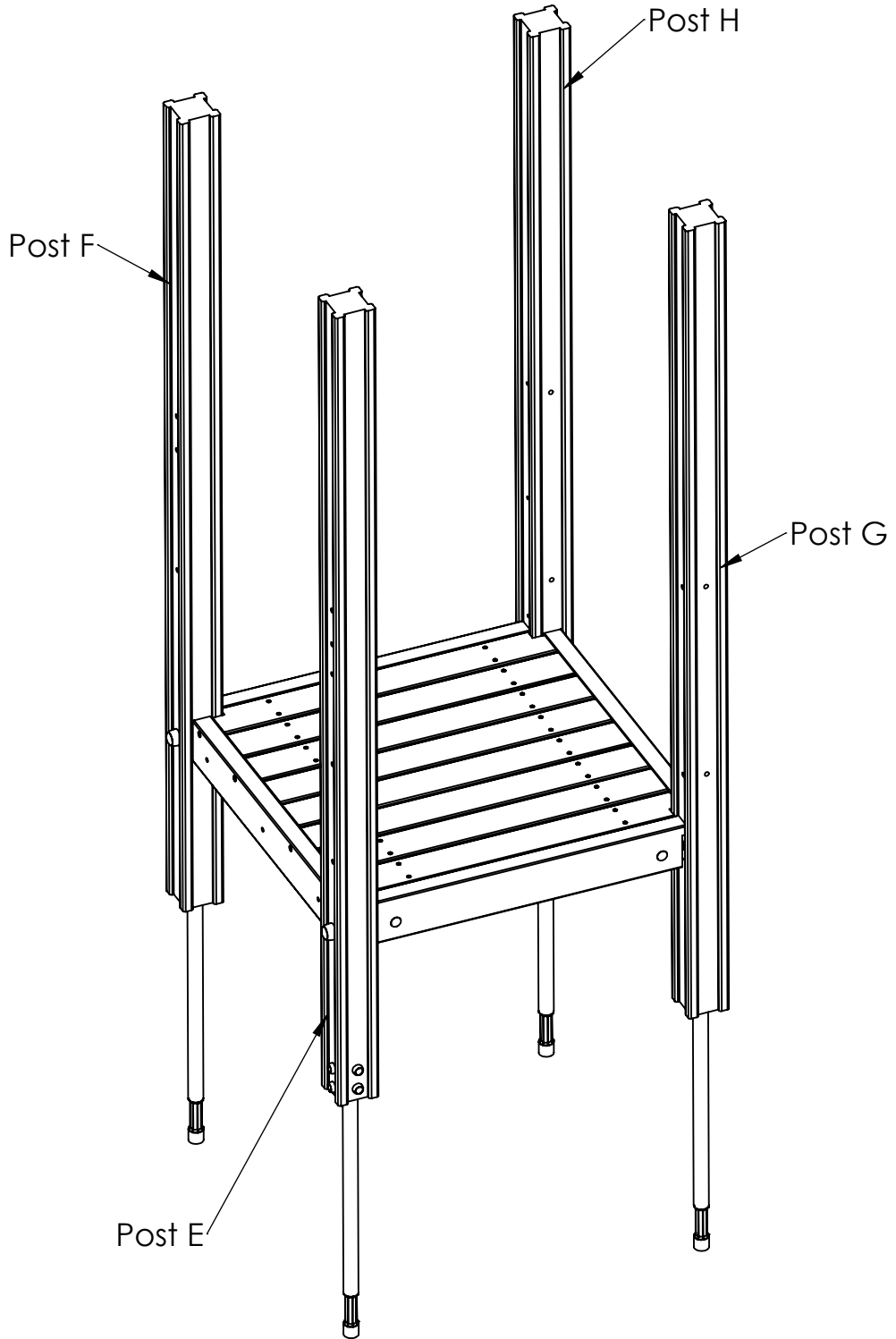
A

B

C

D

E



This platform will be installed in the same way as the first one!!

UNLESS OTHERWISE SPECIFIED:
DIMENSIONS ARE IN MILLIMETERS
WEIGHT ARE IN KILOGRAMM

PART NUMBER / DWG NO.:
LM010

	NAME	SIGNATURE	DATE	REVISION
DRAWN	I.Agar		09.03.2022	
APPV'D				

DESCRIPTION:
Play centre Brita



Tiptiptap OÜ

MATERIAL: **wood, metal, plastic** A4

WEIGHT: SCALE: 1:15 SHEET 20 OF 38

A

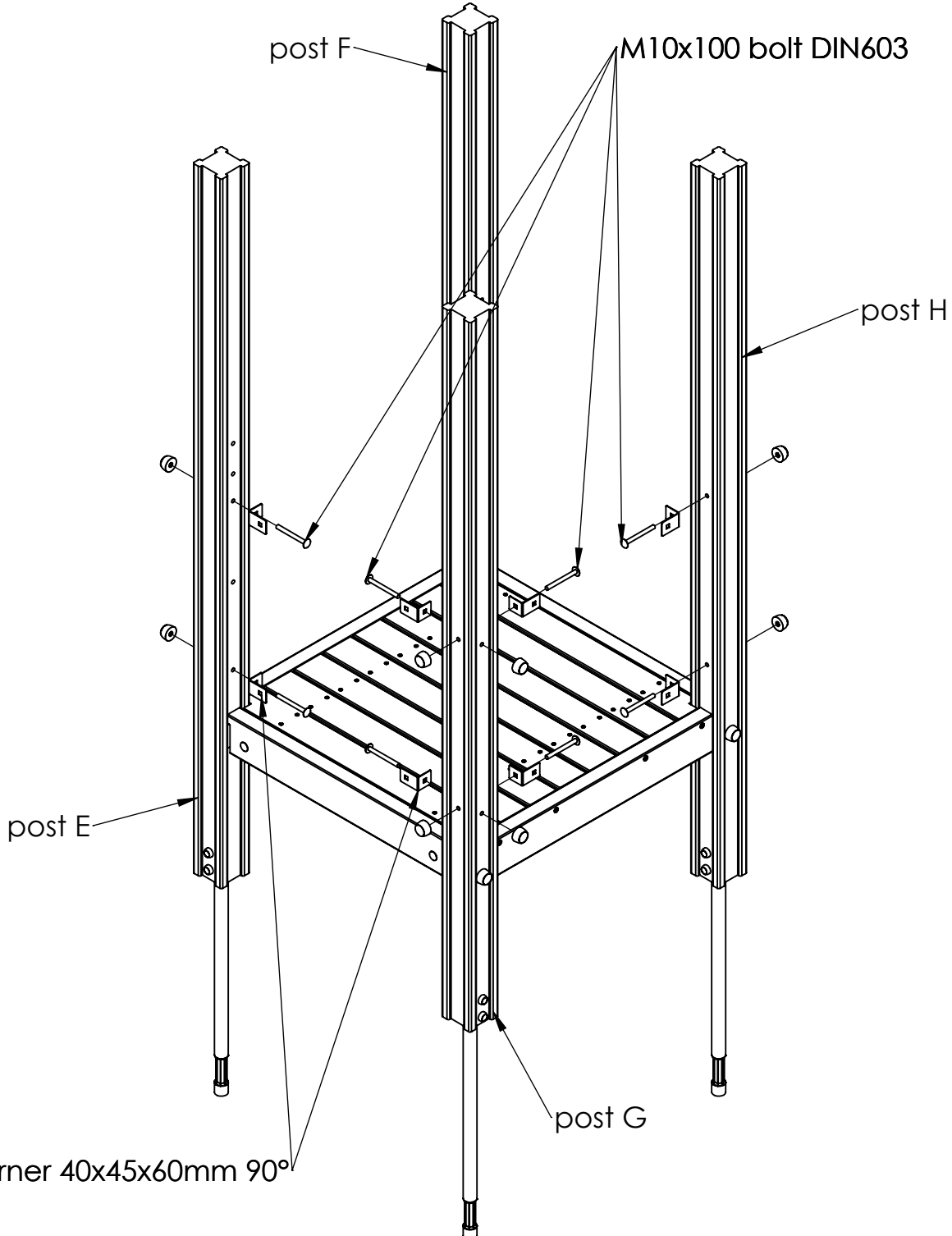
B

C

D

E

F



Corners are installed in the same way as the first ones!!

UNLESS OTHERWISE SPECIFIED: DIMENSIONS ARE IN MILLIMETERS WEIGHT ARE IN KILOGRAMM				
	NAME	SIGNATURE	DATE	REVISION
DRAWN	I.Agar		09.03.2022	
APPV'D				

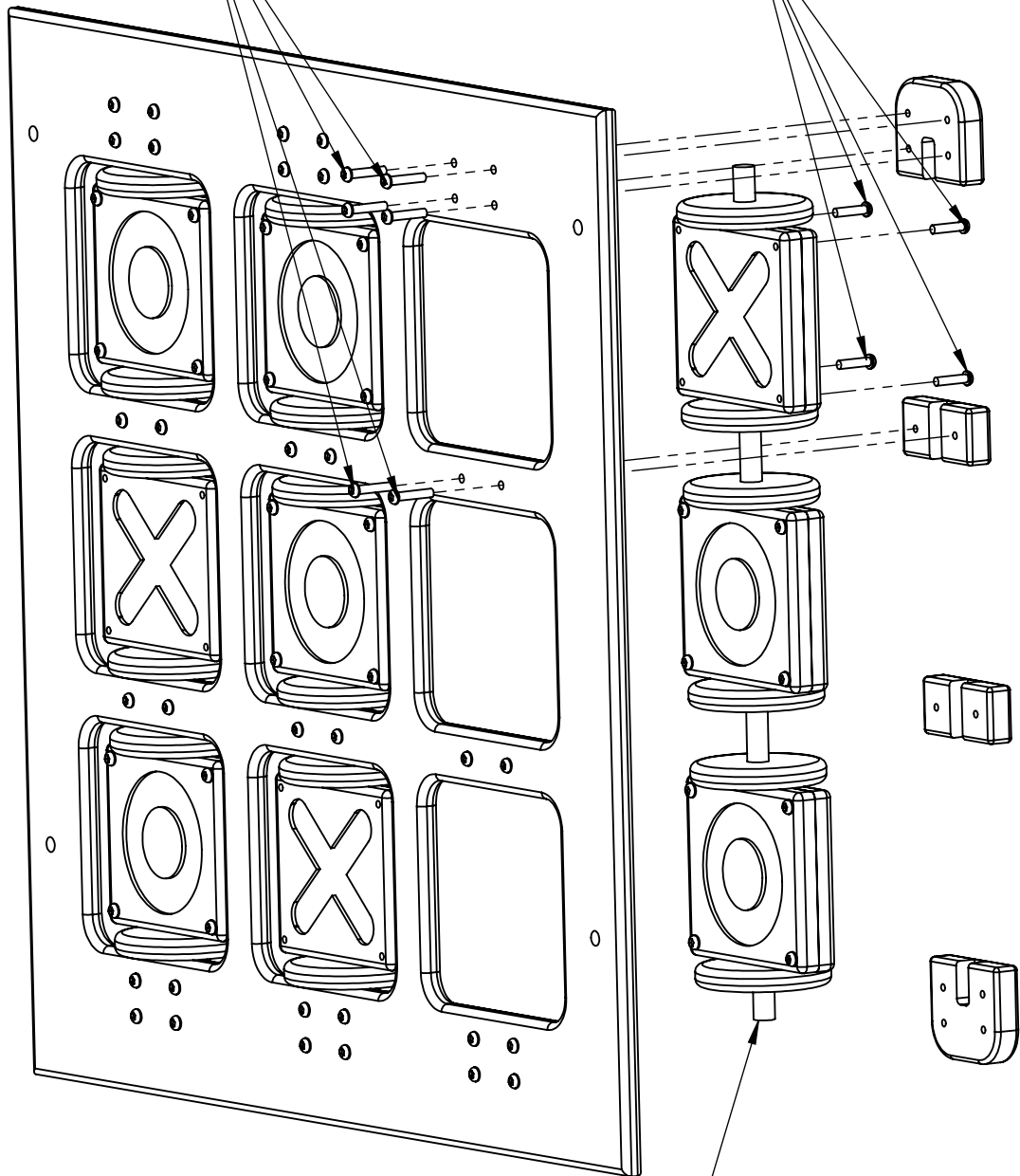
PART NUMBER / DWG NO.:	LM010
DESCRIPTION:	Play centre Brita



MATERIAL:	wood, metal, plastic	A4
WEIGHT:	SCALE: 1:15	SHEET 21 OF 38

6x30 SKK ISO 7380

6x25 SKK ISO 7380



600mm stick

UNLESS OTHERWISE SPECIFIED:
DIMENSIONS ARE IN MILLIMETERS
WEIGHT ARE IN KILOGRAMM

PART NUMBER / DWG NO.:

LM010

	NAME	SIGNATURE	DATE	REVISION
DRAWN	I.Agar		09.03.2022	
APPV'D				

DESCRIPTION:

Play centre Brita

MATERIAL:

wood, metal, plastic

A4

WEIGHT:

SCALE: 1:5

SHEET 22 OF 38



Tiptap OÜ

A

Wheel washer for distance

M8 Nut cover cap

M8 Nut DIN985

M8 Nut cover

B

Wheel washer for distance

Wheel washer for spring

Small captain wheel

C

spring for wheel

D

Wheel washer for spring

M8x90 bolt DIN603

E

F

UNLESS OTHERWISE SPECIFIED:
DIMENSIONS ARE IN MILLIMETERS
WEIGHT ARE IN KILOGRAMM

PART NUMBER / DWG NO.:

LM010

	NAME	SIGNATURE	DATE	REVISION
DRAWN	I.Agar		09.03.2022	
APPV'D				

DESCRIPTION:

Play centre Brita



Tiptiptap ⁰⁰

MATERIAL:

wood, metal, plastic

A4

WEIGHT:

SCALE: 1:5

SHEET 23 OF 38

A

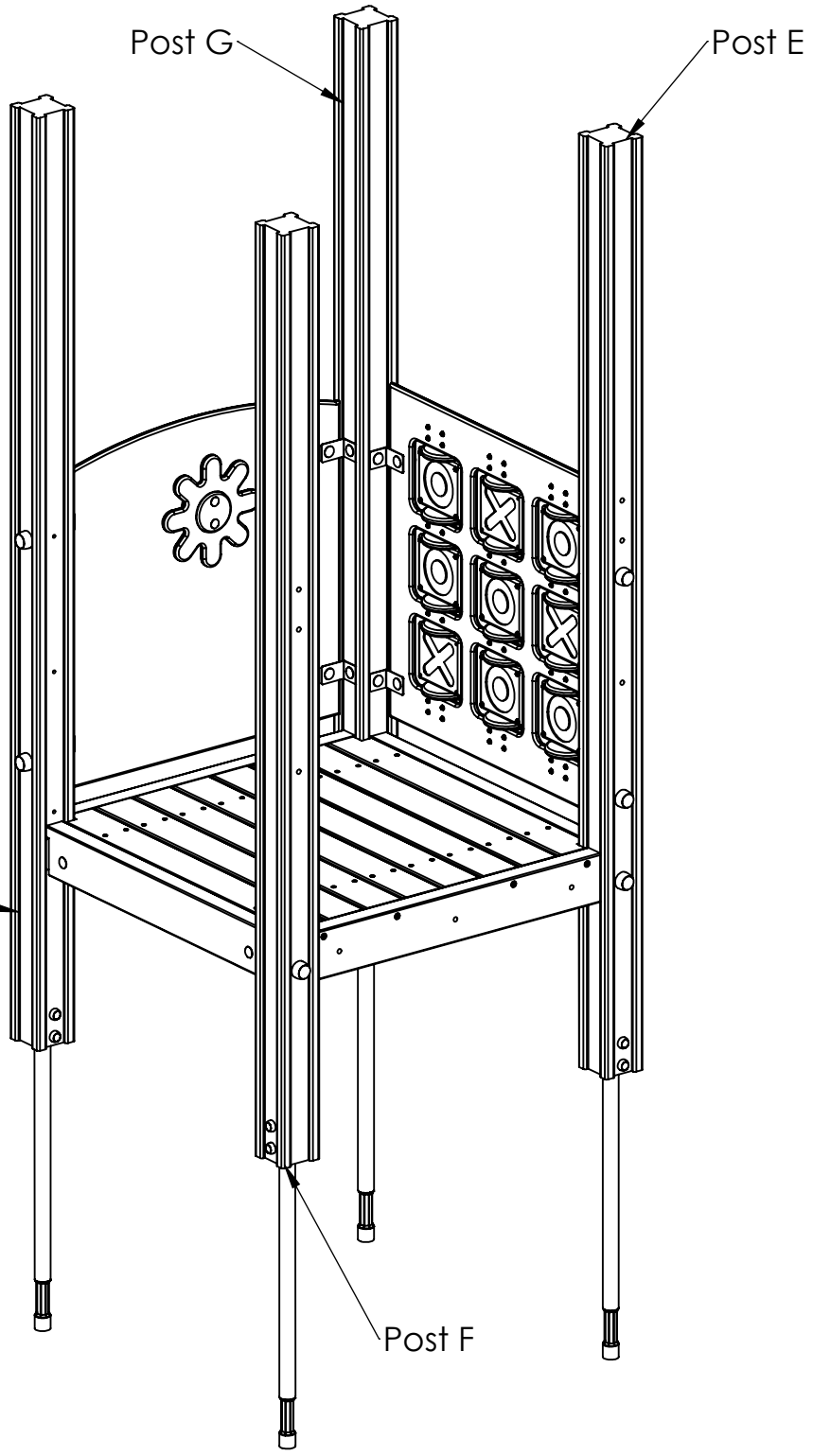
B

C

D

E

F



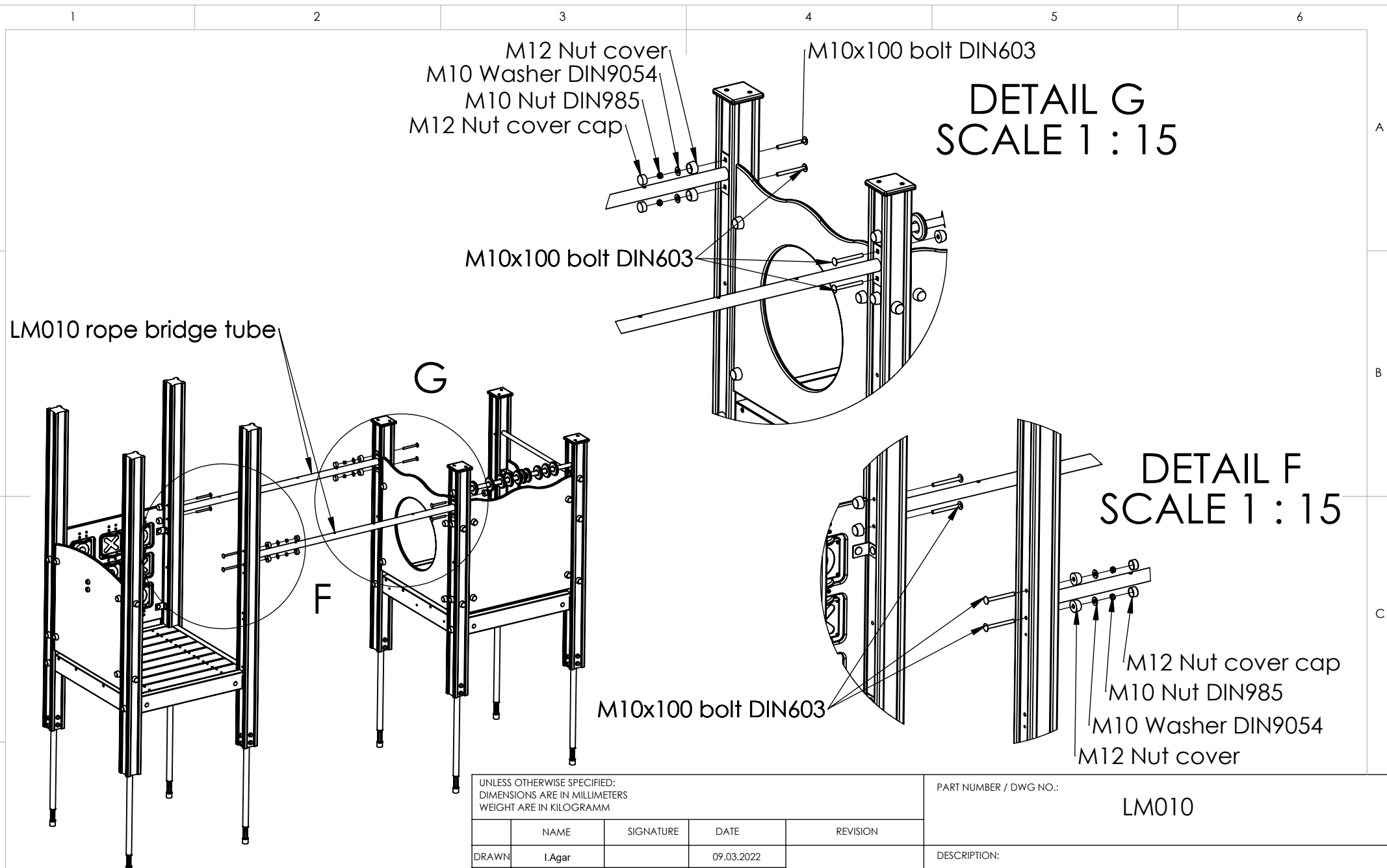
Panels are installed in the same way as the first ones!!

UNLESS OTHERWISE SPECIFIED: DIMENSIONS ARE IN MILLIMETERS WEIGHT ARE IN KILOGRAMM				
	NAME	SIGNATURE	DATE	REVISION
DRAWN	I.Agar		09.03.2022	
APPV'D				

PART NUMBER / DWG NO.:	LM010
DESCRIPTION:	Play centre Brita



MATERIAL:	wood, metal, plastic	A4
WEIGHT:	SCALE: 1:15	SHEET 24 OF 38



UNLESS OTHERWISE SPECIFIED:
 DIMENSIONS ARE IN MILLIMETERS
 WEIGHT ARE IN KILOGRAMM

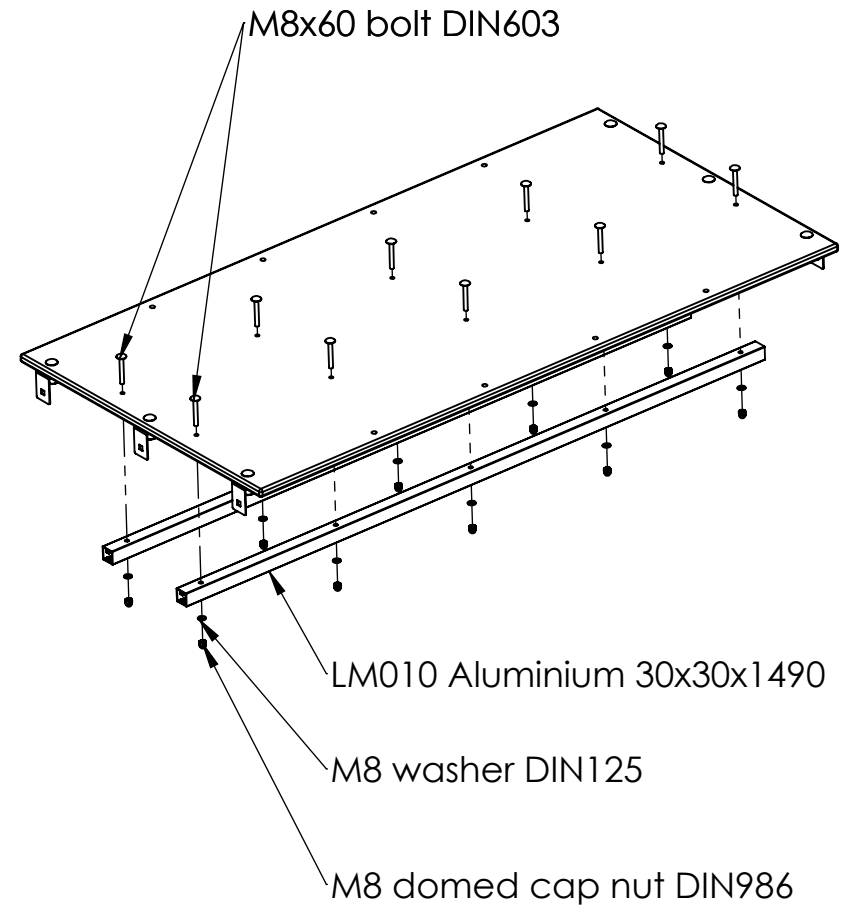
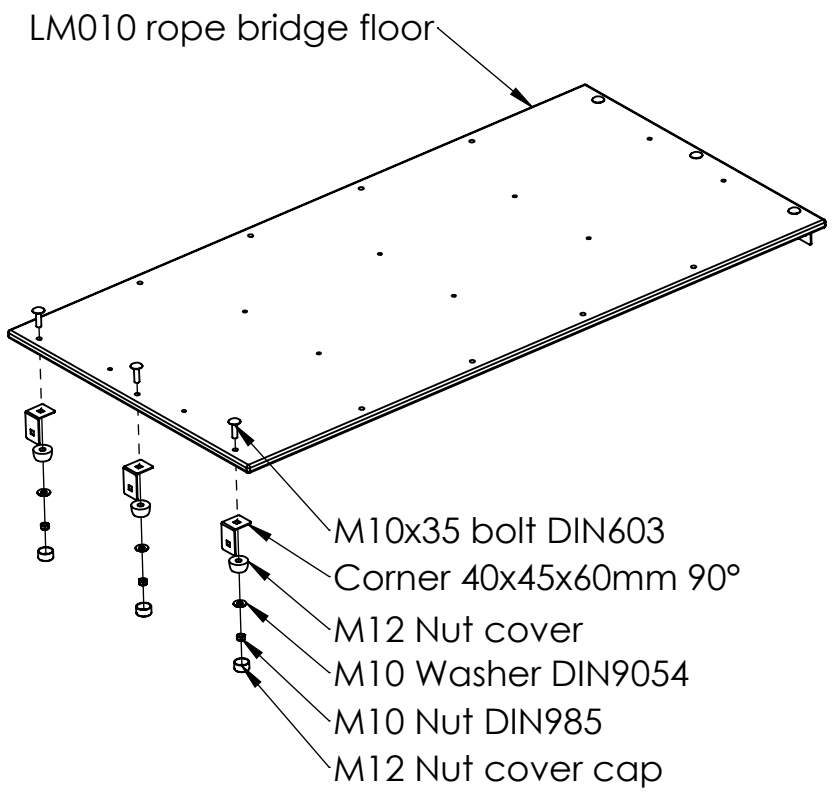
	NAME	SIGNATURE	DATE	REVISION
DRAWN	I.Agar		09.03.2022	
APPV'D				

PART NUMBER / DWG NO.:
LM010

DESCRIPTION:
Play centre Brita



MATERIAL:	wood, metal, plastic	A4
WEIGHT:		SCALE: 1:30
		SHEET 25 OF 38



UNLESS OTHERWISE SPECIFIED:
 DIMENSIONS ARE IN MILLIMETERS
 WEIGHT ARE IN KILOGRAMM

	NAME	SIGNATURE	DATE	REVISION
DRAWN	I.Agar		09.03.2022	
APPV'D				



PART NUMBER / DWG NO.:
LM010

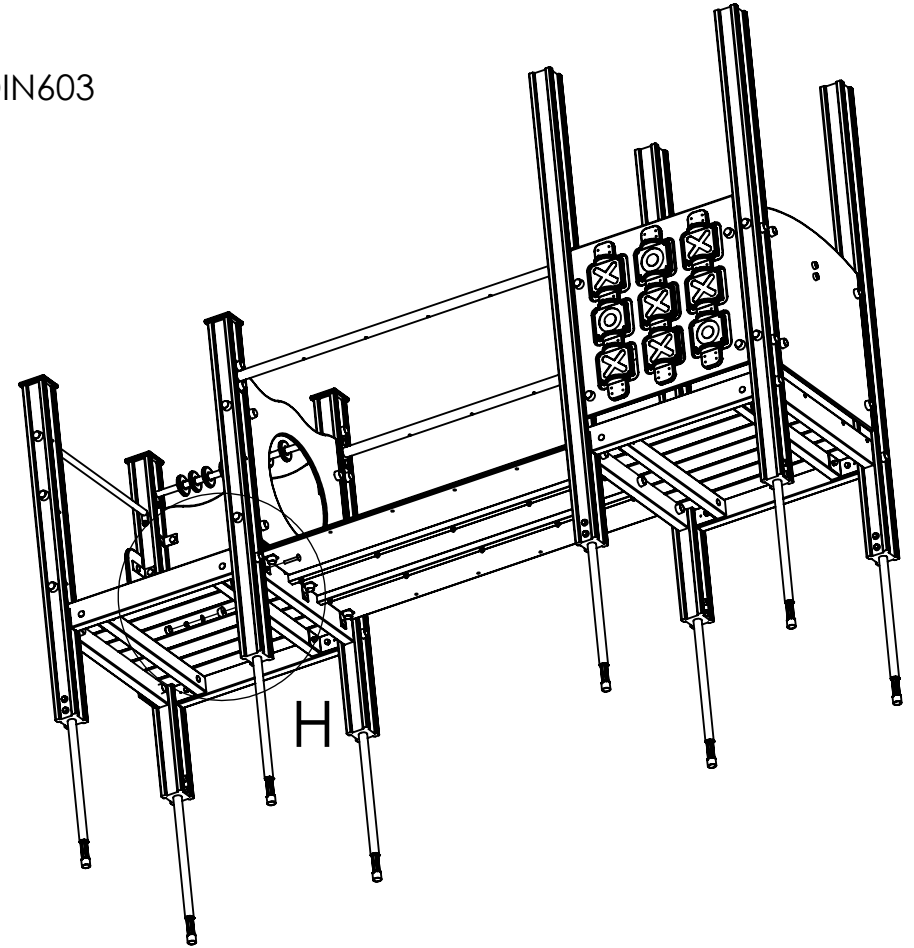
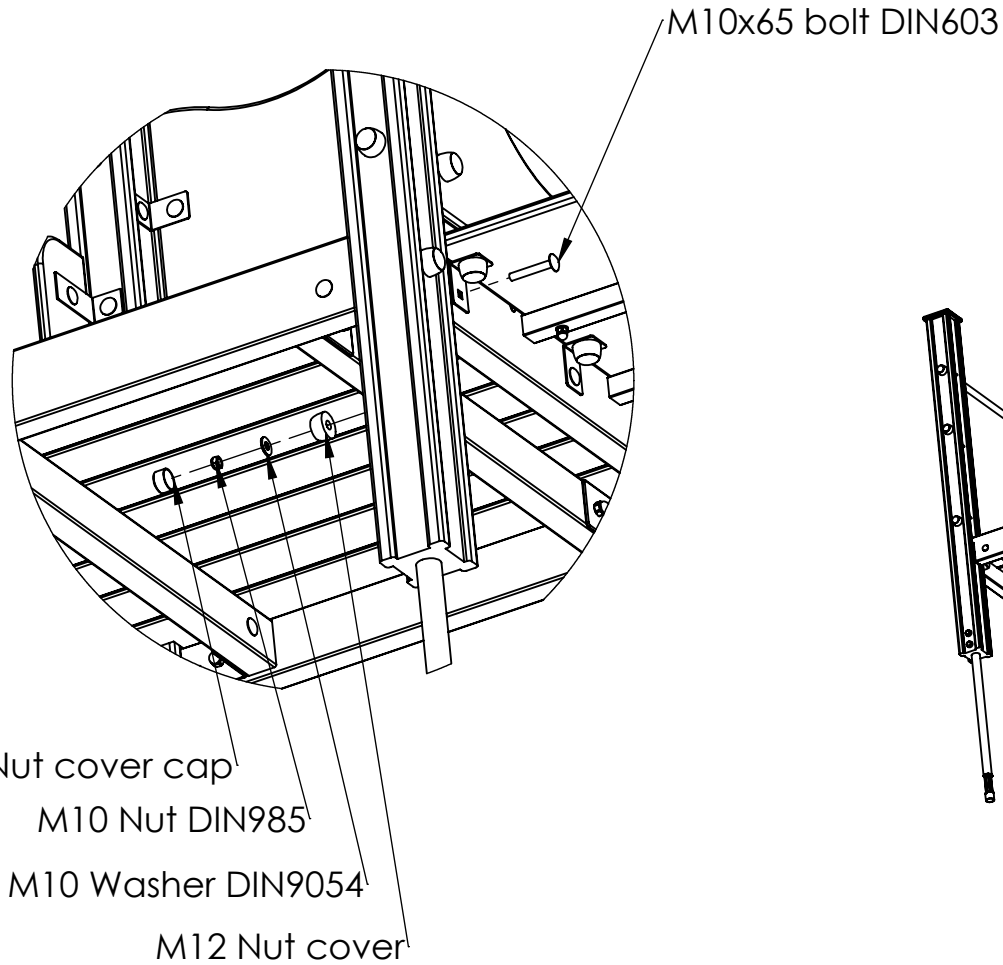
DESCRIPTION:
Play centre Brita


MATERIAL: wood, metal, plastic A4

WEIGHT: SCALE: 1:15 SHEET 26 OF 38

DETAIL H

SCALE 1 : 10

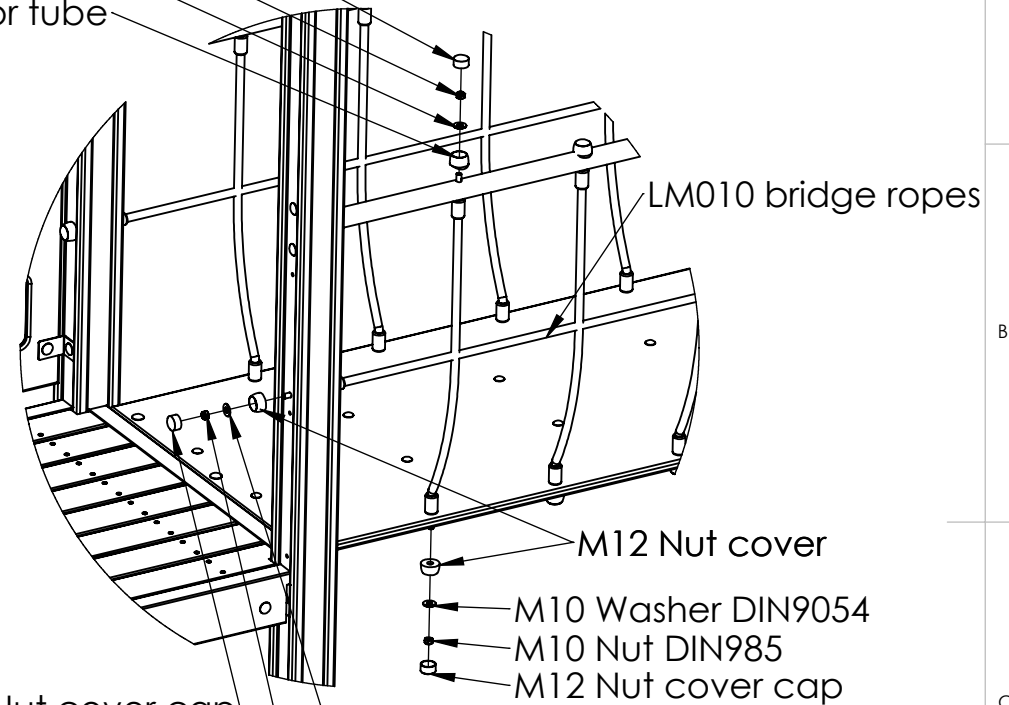
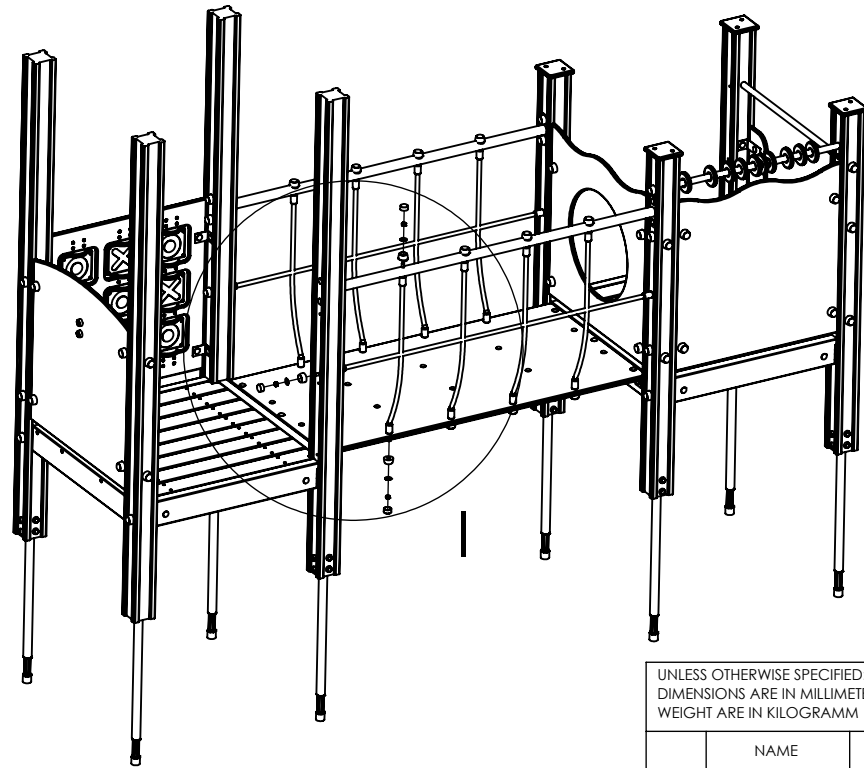


UNLESS OTHERWISE SPECIFIED: DIMENSIONS ARE IN MILLIMETERS WEIGHT ARE IN KILOGRAMM					PART NUMBER / DWG NO.: LM010	
	NAME	SIGNATURE	DATE	REVISION	DESCRIPTION: Play centre Brita	
DRAWN	I.Agar		09.03.2022		MATERIAL: wood, metal, plastic	
APPV'D					A4	
 Tiptiptap ^{OO}					WEIGHT:	
					SCALE: 1:30	
					SHEET 27 OF 38	

DETAIL I

SCALE 1 : 15

- M12 Nut cover cap
- M10 Nut DIN985
- M10 Washer DIN9054
- M12 Nut cover for tube



- M12 Nut cover cap
- M10 Nut DIN985
- M10 Washer DIN9054

- M12 Nut cover
- M10 Washer DIN9054
- M10 Nut DIN985
- M12 Nut cover cap

UNLESS OTHERWISE SPECIFIED:
DIMENSIONS ARE IN MILLIMETERS
WEIGHT ARE IN KILOGRAMM

	NAME	SIGNATURE	DATE	REVISION
DRAWN	I.Agar		09.03.2022	
APPV'D				



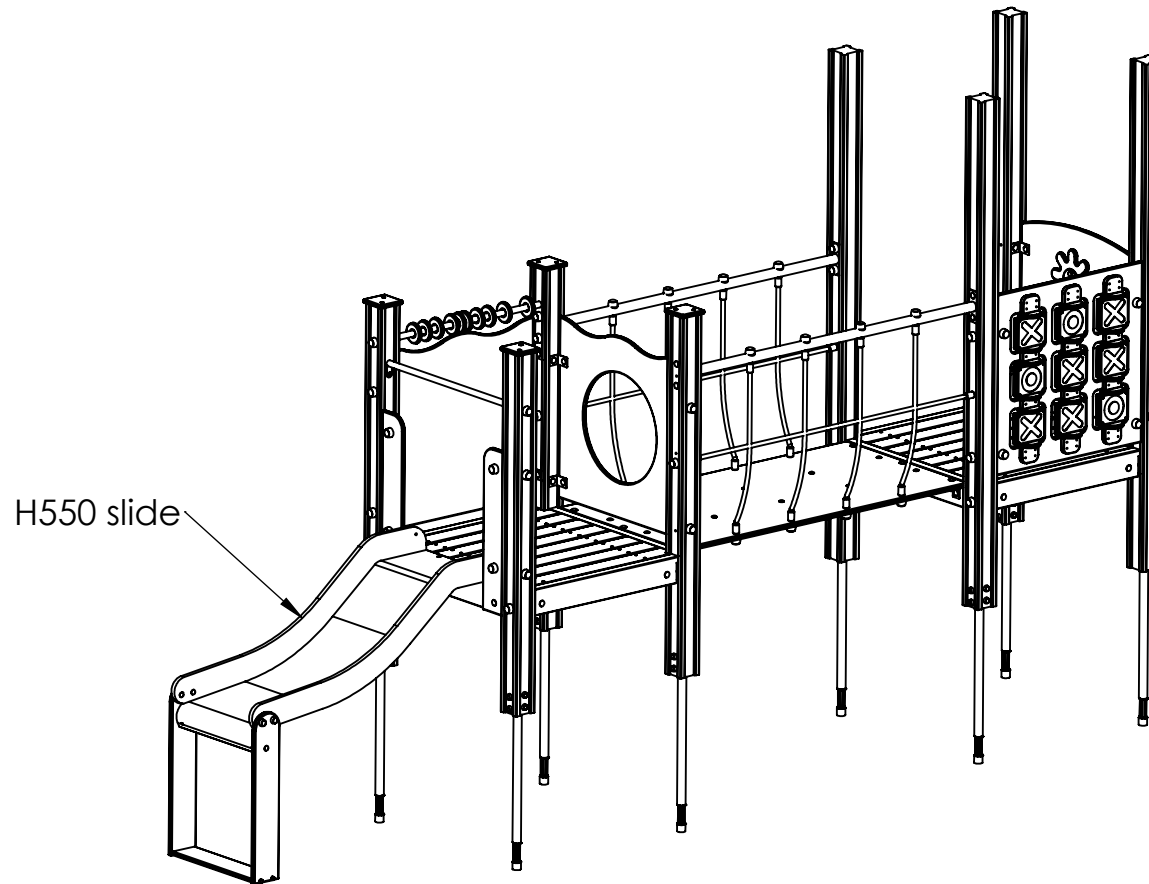
PART NUMBER / DWG NO.:
LM010


DESCRIPTION:
Play centre Brita

MATERIAL: wood, metal, plastic A4

WEIGHT: SCALE: 1:30 SHEET 28 OF 38

Slide installation is shown on the following pages!!!

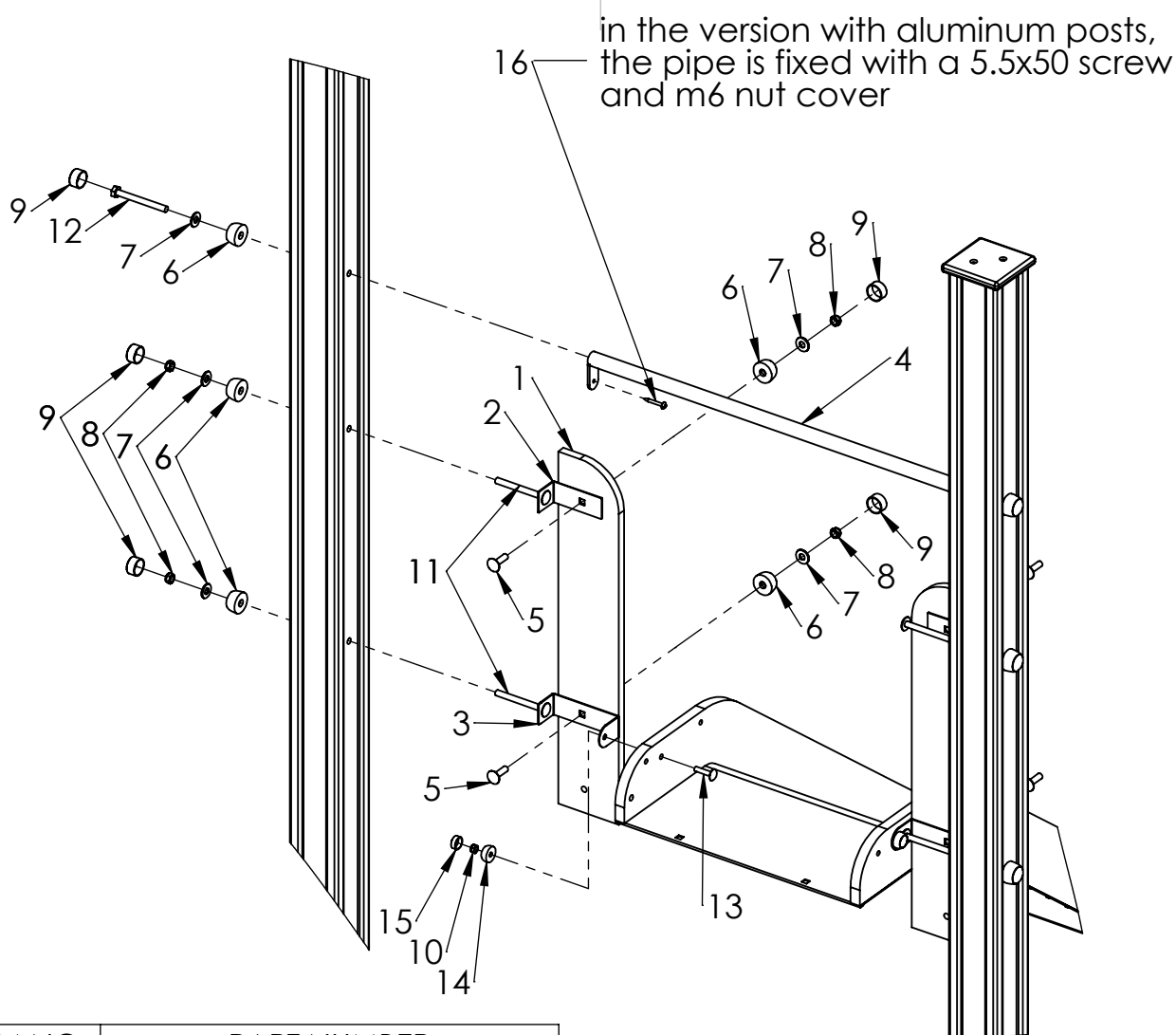


UNLESS OTHERWISE SPECIFIED: DIMENSIONS ARE IN MILLIMETERS WEIGHT ARE IN KILOGRAMM					PART NUMBER / DWG NO.: LM010		
	NAME	SIGNATURE	DATE	REVISION	DESCRIPTION: Play centre Brita		
DRAWN	I.Agar		09.03.2022				
APPV'D							
 Tiptap ^{OO}					MATERIAL:	wood, metal, plastic	A4
					WEIGHT:		SCALE: 1:30

A

B

C



D

E

F

ITEM NO.	PART NUMBER
1	slide side panel 124x680
2	slide side panel fixing 40x100
3	slide side panel fixing 40x135
4	guardrail ϕ 25x770
5	bolt DIN603 M10x35
6	nut cover M12
7	Washer M10 DIN9054
8	nut DIN985 M10
9	nut cover cap M12
10	nut DIN985 M8
11	bolt DIN603 M10x100
12	bolt DIN931 M10x100
13	bolt DIN603 M8x35
14	nut cover M8
15	nut cover cap M8
16	screw 5x40

UNLESS OTHERWISE SPECIFIED:
DIMENSIONS ARE IN MILLIMETERS
WEIGHT ARE IN KILOGRAMM

PART NUMBER / DWG NO.:

LM010

	NAME	SIGNATURE	DATE	REVISION
DRAWN	I. Agar			
APPV'D				

DESCRIPTION:

Play centre Brita
connecting side guard block to post

MATERIAL:

wood, metal, plastic

A4

WEIGHT:

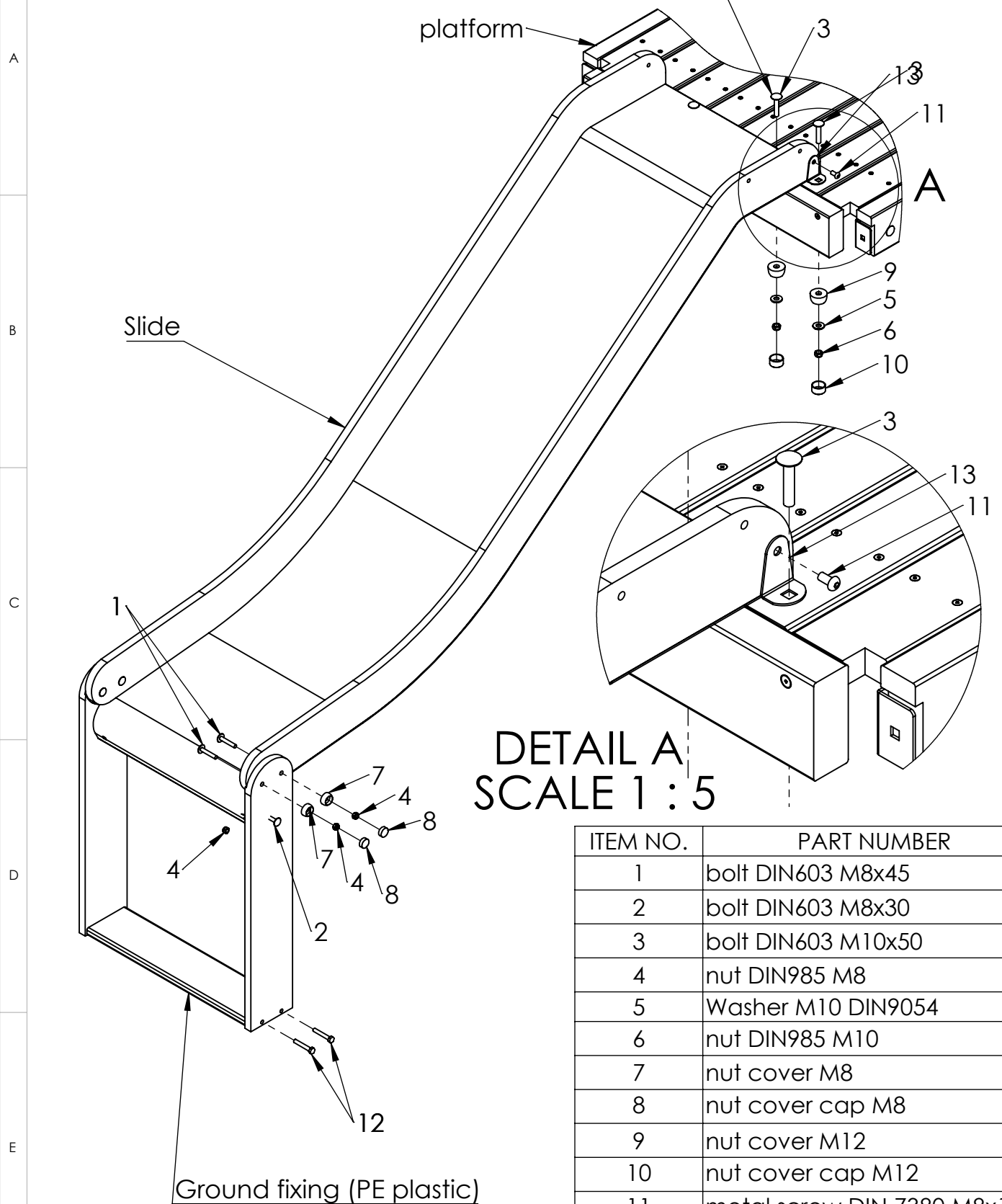
SCALE: 1:12

SHEET 30 OF 38



Tiptap OÜ

In the case of a plastic slide, this bolt is M10x60 DIN603



DETAIL A
SCALE 1 : 5

ITEM NO.	PART NUMBER
1	bolt DIN603 M8x45
2	bolt DIN603 M8x30
3	bolt DIN603 M10x50
4	nut DIN985 M8
5	Washer M10 DIN9054
6	nut DIN985 M10
7	nut cover M8
8	nut cover cap M8
9	nut cover M12
10	nut cover cap M12
11	metal screw DIN 7380 M8x16
12	bolt DIN933 M8x50
13	metal corner for slide

UNLESS OTHERWISE SPECIFIED:
DIMENSIONS ARE IN MILLIMETERS
WEIGHT ARE IN KILOGRAMM

PART NUMBER / DWG NO.:

LM010

	NAME	SIGNATURE	DATE	REVISION
DRAWN	I.Agar		09.03.2022	
APPV'D				

DESCRIPTION:

Play centre Brita
connecting slide to platform

MATERIAL:

wood, metal, plastic

A4

WEIGHT:

SCALE: 1:12

SHEET 31 OF 38



Tiptiptap OÜ

A

B

C

D

E

F

LM010 Stair side panel, left

LM010 Stair side panel, right

Step 30x145x730mm with slat

6 x 90 Woodscrew

M10x30 bolt DIN603

L-shape groundfixing

Step 30x145x730mm

M10 domed cap nut DIN986

UNLESS OTHERWISE SPECIFIED:
DIMENSIONS ARE IN MILLIMETERS
WEIGHT ARE IN KILOGRAMM

	NAME	SIGNATURE	DATE	REVISION
DRAWN	I.Agar		09.03.2022	
APPV'D				

PART NUMBER / DWG NO.:
LM010

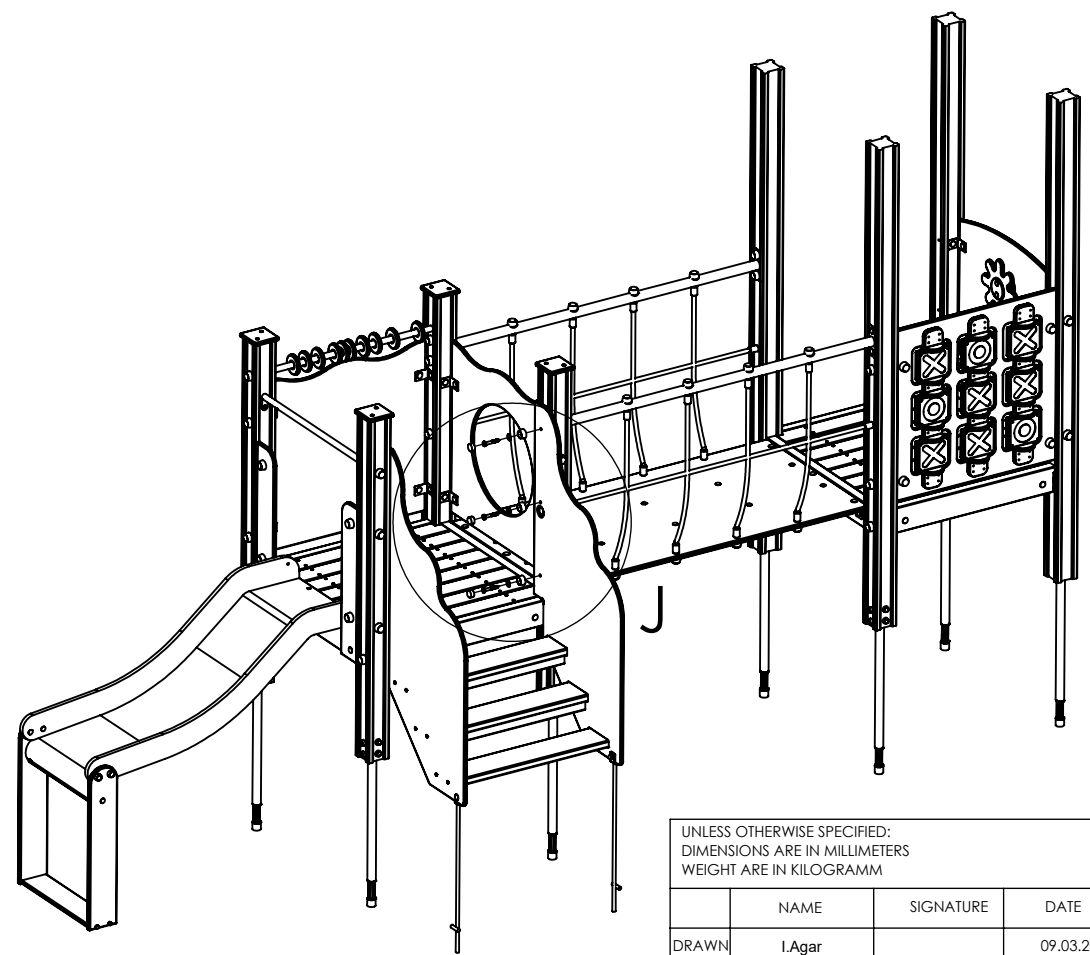
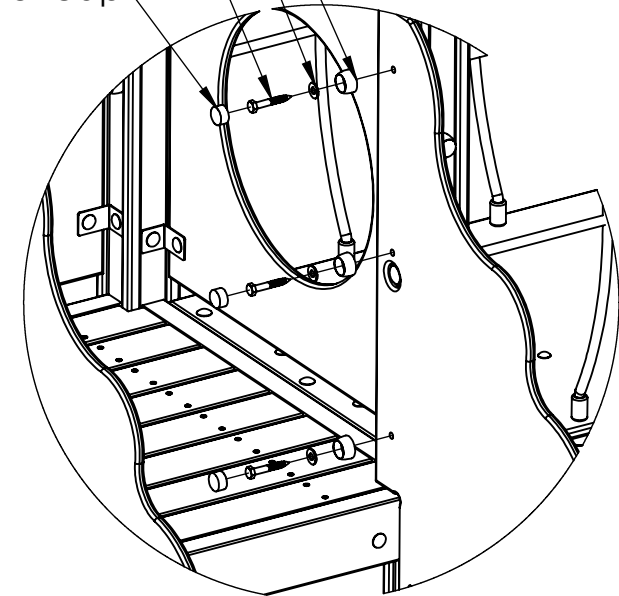
DESCRIPTION:
Play centre Brita



MATERIAL:	wood, metal, plastic	A4
WEIGHT:	SCALE: 1:12	SHEET 32 OF 38

DETAIL J SCALE 1 : 12

- M12 Nut cover
- M10 Washer DIN9054
- 10x70 screw DIN571
- M12 Nut cover cap



UNLESS OTHERWISE SPECIFIED:
DIMENSIONS ARE IN MILLIMETERS
WEIGHT ARE IN KILOGRAMM

	NAME	SIGNATURE	DATE	REVISION
DRAWN	I.Agar		09.03.2022	
APPV'D				

PART NUMBER / DWG NO.:
LM010

DESCRIPTION:
Play centre Brita



MATERIAL:	wood, metal, plastic	A4
WEIGHT:		SCALE: 1:30
		SHEET 33 OF 38

A

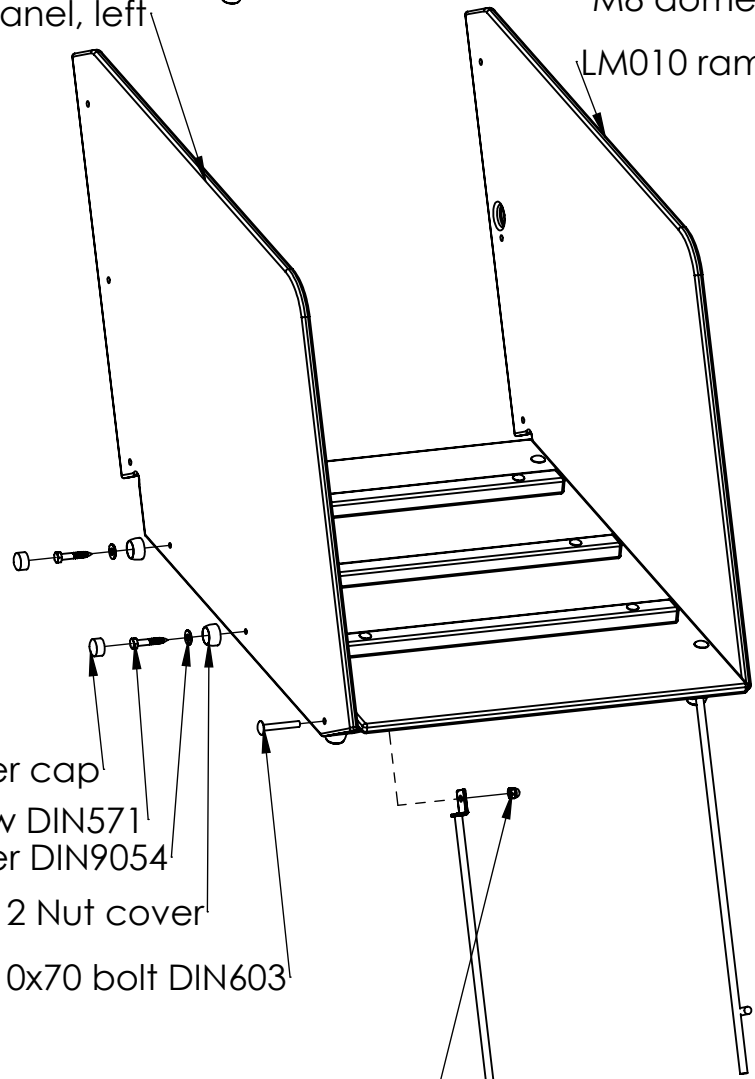
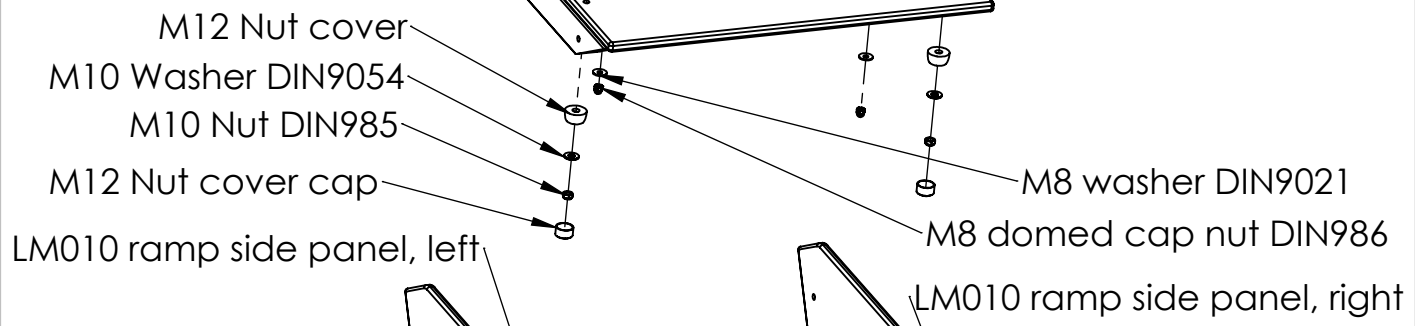
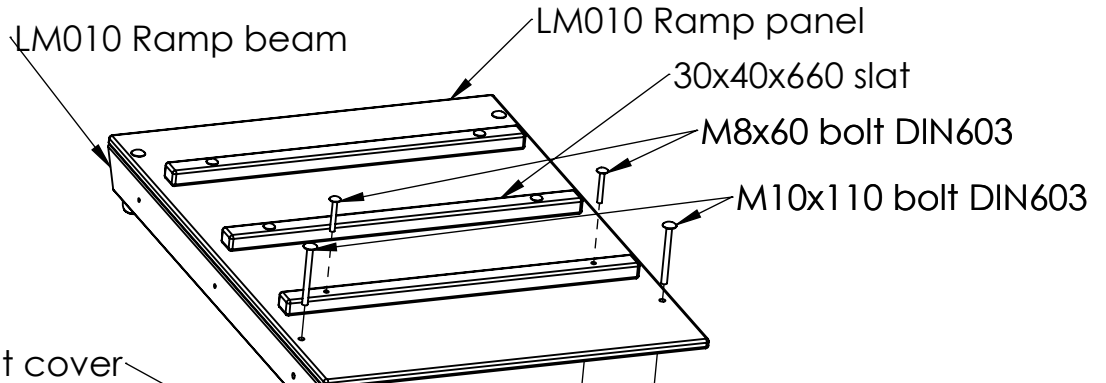
B

C

D

E

F



UNLESS OTHERWISE SPECIFIED:
 DIMENSIONS ARE IN MILLIMETERS
 WEIGHT ARE IN KILOGRAMM

PART NUMBER / DWG NO.:
LM010

	NAME	SIGNATURE	DATE	REVISION
DRAWN	I.Agar		09.03.2022	
APPV'D				

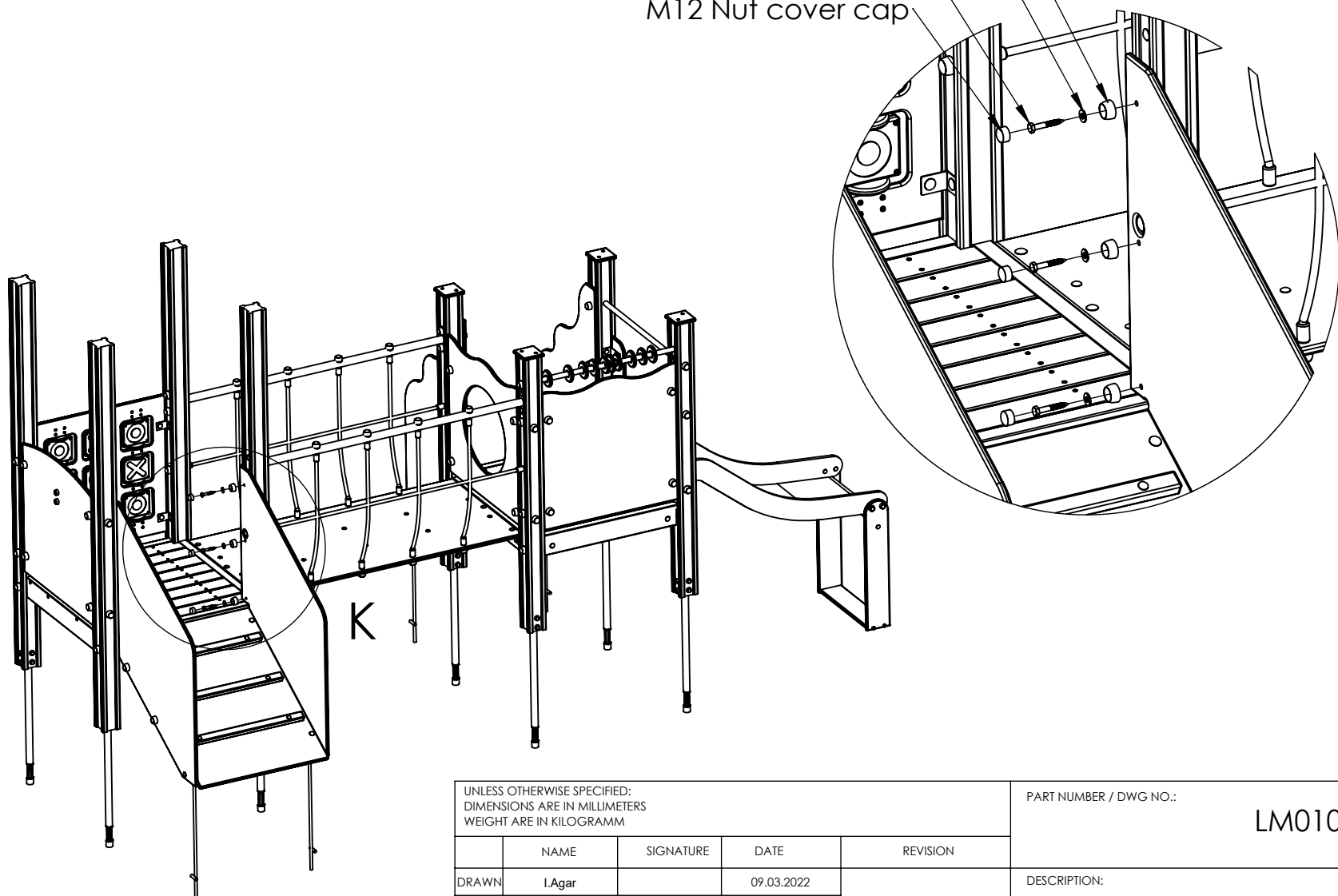
DESCRIPTION:
Play centre Brita



MATERIAL:	wood, metal, plastic	A4
WEIGHT:		
	SCALE: 1:13	SHEET 34 OF 38

DETAIL K SCALE 1 : 12

- M12 Nut cover
- M10 Washer DIN9054
- 10x70 screw DIN571
- M12 Nut cover cap



UNLESS OTHERWISE SPECIFIED:
DIMENSIONS ARE IN MILLIMETERS
WEIGHT ARE IN KILOGRAMM

	NAME	SIGNATURE	DATE	REVISION
DRAWN	I.Agar		09.03.2022	
APPV'D				



PART NUMBER / DWG NO.:
LM010

DESCRIPTION:
Play centre Brita

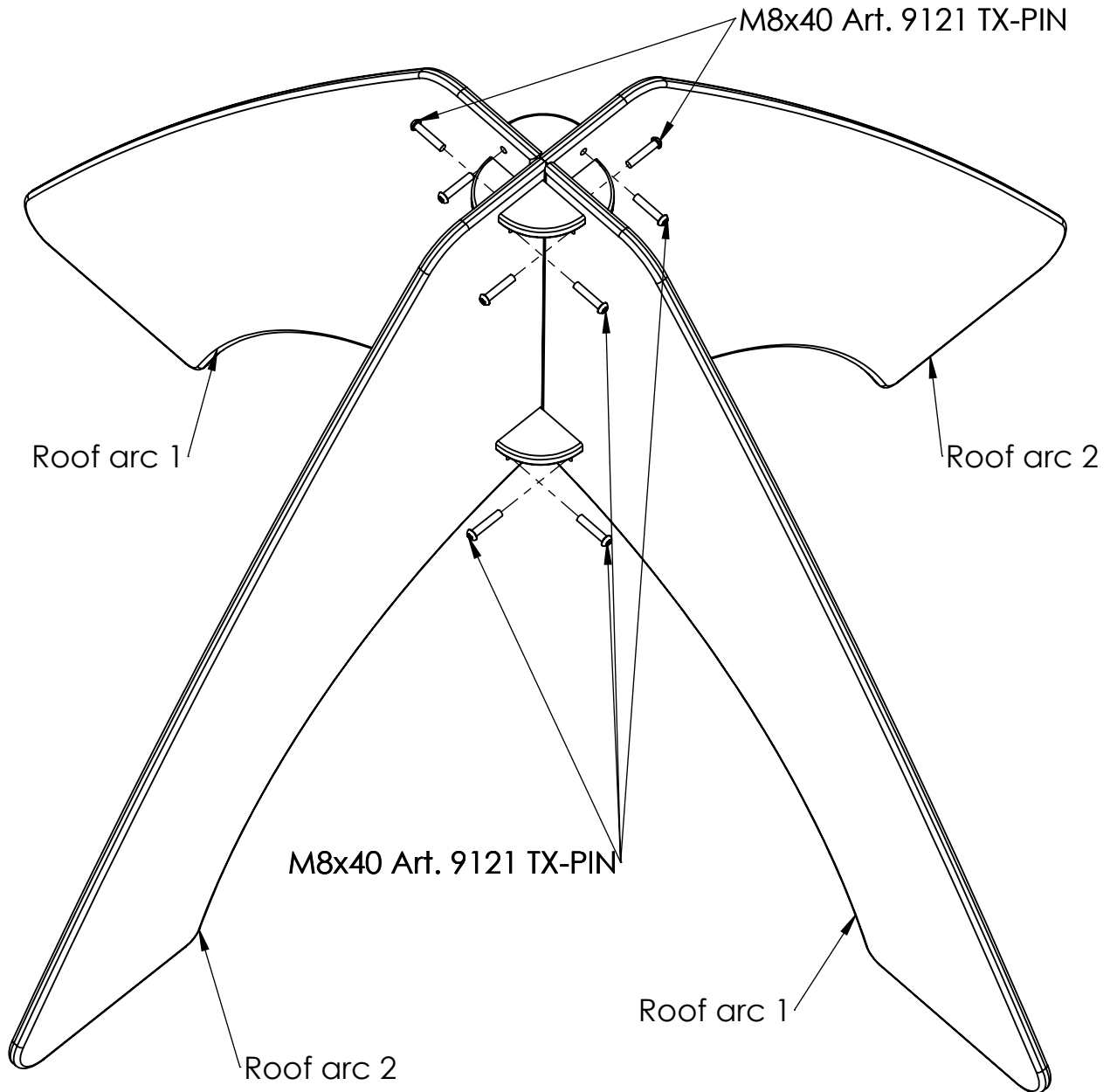
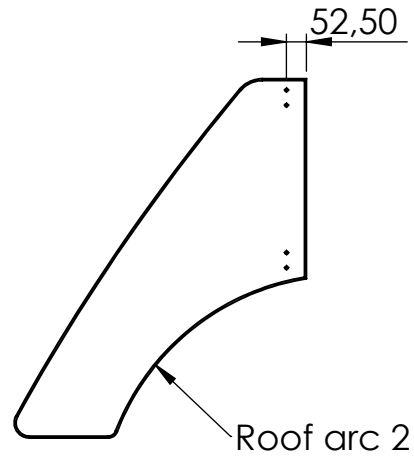
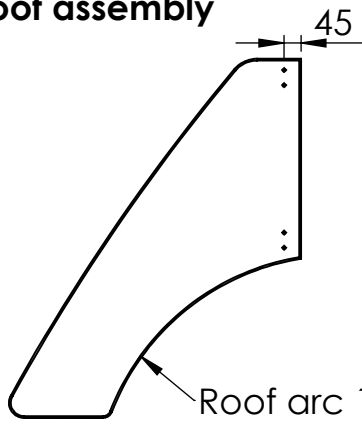
MATERIAL: wood, metal, plastic

A4

WEIGHT: SCALE: 1:30 SHEET 35 OF 38

4 arched roof assembly

Step 1



UNLESS OTHERWISE SPECIFIED:
DIMENSIONS ARE IN MILLIMETERS
WEIGHT ARE IN KILOGRAMM

PART NUMBER / DWG NO.:

LM010

	NAME	SIGNATURE	DATE	REVISION
DRAWN	I.Agar		09.03.2022	
APPV'D				

DESCRIPTION:

Play centre Brita



Tiptiptap ÖÜ

MATERIAL:

wood, metal, plastic

A4

WEIGHT:

SCALE: 1:7

SHEET 36 OF 38

4 arched roof assembly

Step 2

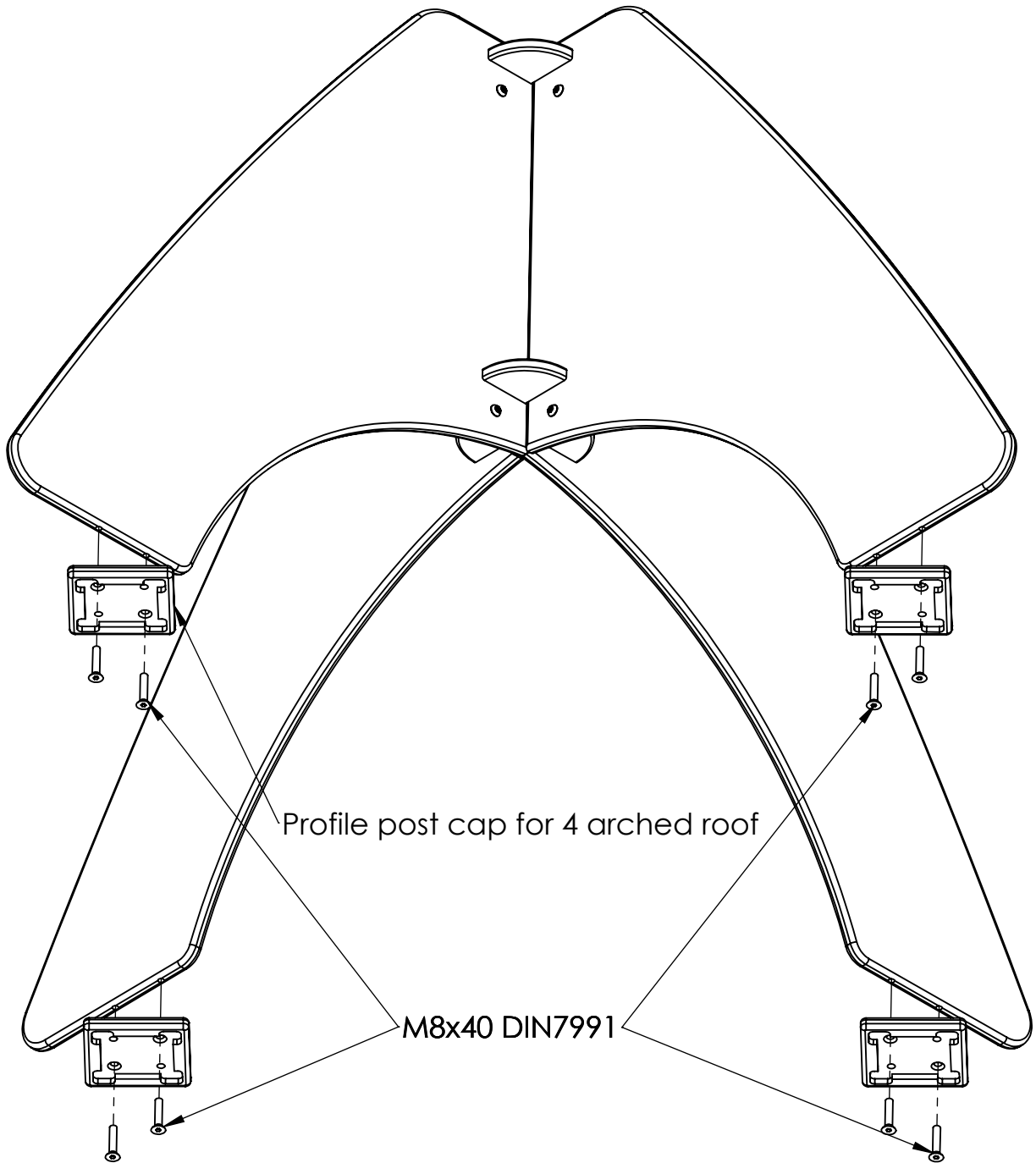
A

B

C

D

E



Profile post cap for 4 arched roof

M8x40 DIN7991

UNLESS OTHERWISE SPECIFIED:
DIMENSIONS ARE IN MILLIMETERS
WEIGHT ARE IN KILOGRAMM

PART NUMBER / DWG NO.:

LM010

	NAME	SIGNATURE	DATE	REVISION
DRAWN	I.Agar		09.03.2022	
APPV'D				

DESCRIPTION:

Play centre Brita

MATERIAL:

wood, metal, plastic

A4

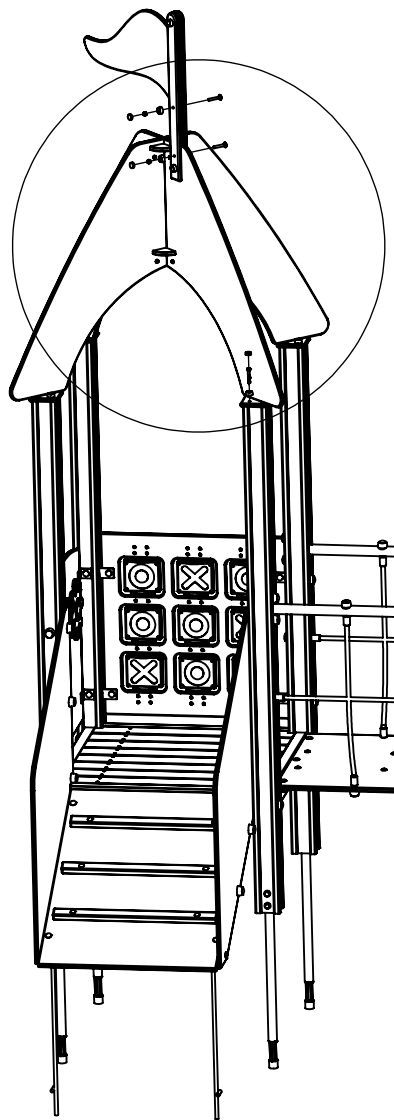
WEIGHT:

SCALE: 1:7

SHEET 37 OF 38



Tiptap ^{OO}



LM010 flag post
 LM010 flag
 M8 Nut cover
 M8 Nut DIN985
 M8 Nut cover cap

M8 Nut cover cap
 8x60 screw DIN571
 M8 Nut cover

DETAIL L
 SCALE 1 : 15

UNLESS OTHERWISE SPECIFIED:
 DIMENSIONS ARE IN MILLIMETERS
 WEIGHT ARE IN KILOGRAMM

PART NUMBER / DWG NO.:
 LM010

	NAME	SIGNATURE	DATE	REVISION
DRAWN	I.Agar		09.03.2022	
APPV'D				

DESCRIPTION:
 Play centre Brita



Tiptaptap OÜ
 Veetorni 9,
 Jüri alevik, Rae vald,
 75301 Harjumaa

MATERIAL:
 wood, metal, plastic

A4

WEIGHT: SCALE: 1:30 SHEET 38 OF 38