

A

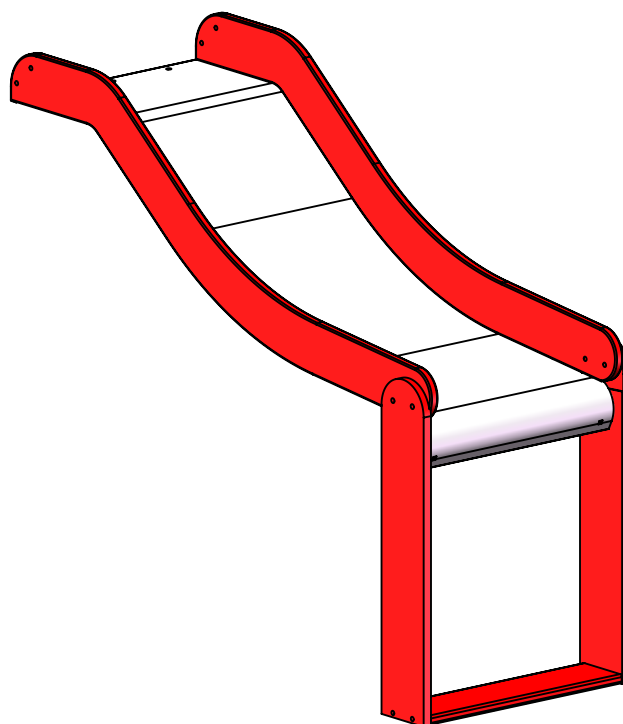
B

C

D

E

F



UNLESS OTHERWISE SPECIFIED:
DIMENSIONS ARE IN MILLIMETERS
WEIGHT ARE IN KILOGRAMM

PART NUMBER / DWG NO.:

LIU 0.55RV

	NAME	SIGNATURE	DATE	REVISION
DRAWN	R.Fedotov		10.10.2018	
APPV'D				

DESCRIPTION:

Slide h. 0,55 with stainless base



Tiptaptap OÜ

Tiptaptap OÜ
Veetorni 9,
Jüri alevik, Rae vald,
75301 Harjumaa

MATERIAL:

wood, metal, plastic

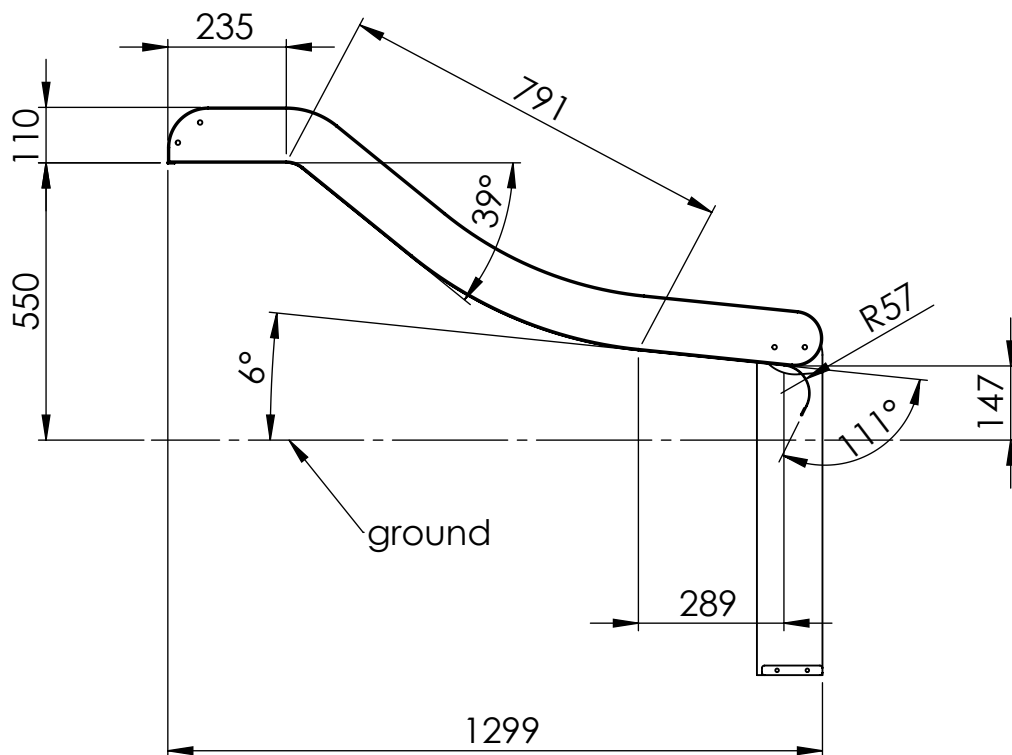
A4

WEIGHT:

SCALE: 1:15

SHEET 1 OF 4

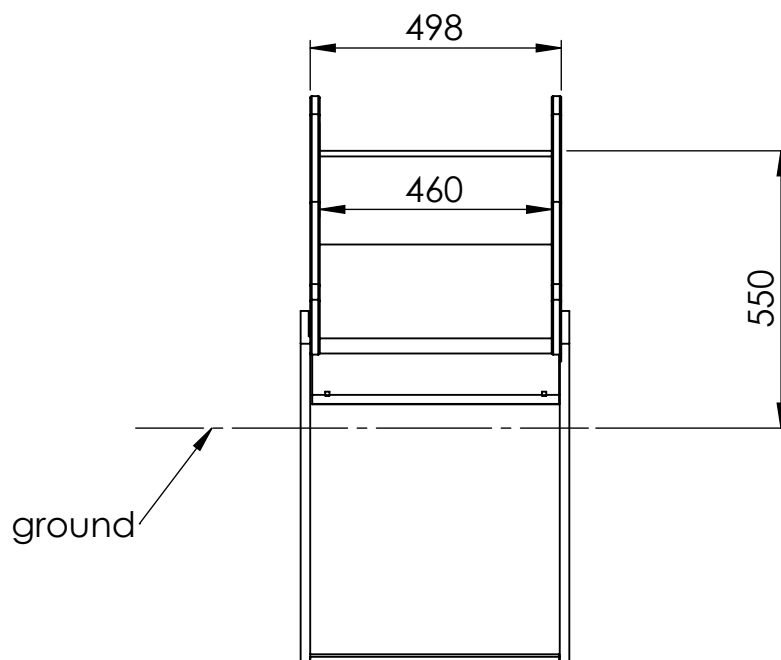
A



C

D

E



UNLESS OTHERWISE SPECIFIED:
DIMENSIONS ARE IN MILLIMETERS
WEIGHT ARE IN KILOGRAMM

PART NUMBER / DWG NO.:

LIU 0.55RV

	NAME	SIGNATURE	DATE	REVISION
DRAWN	R.Fedotov		10.10.2018	
APPV'D				

DESCRIPTION:

Slide h. 0,55 with stainless base

F



Tiptaptap OÜ

Tiptaptap OÜ
Veetorni 9,
Jüri alevik, Rae vald,
75301 Harjumaa

MATERIAL:

wood, metal, plastic

A4

WEIGHT:

SCALE: 1:15

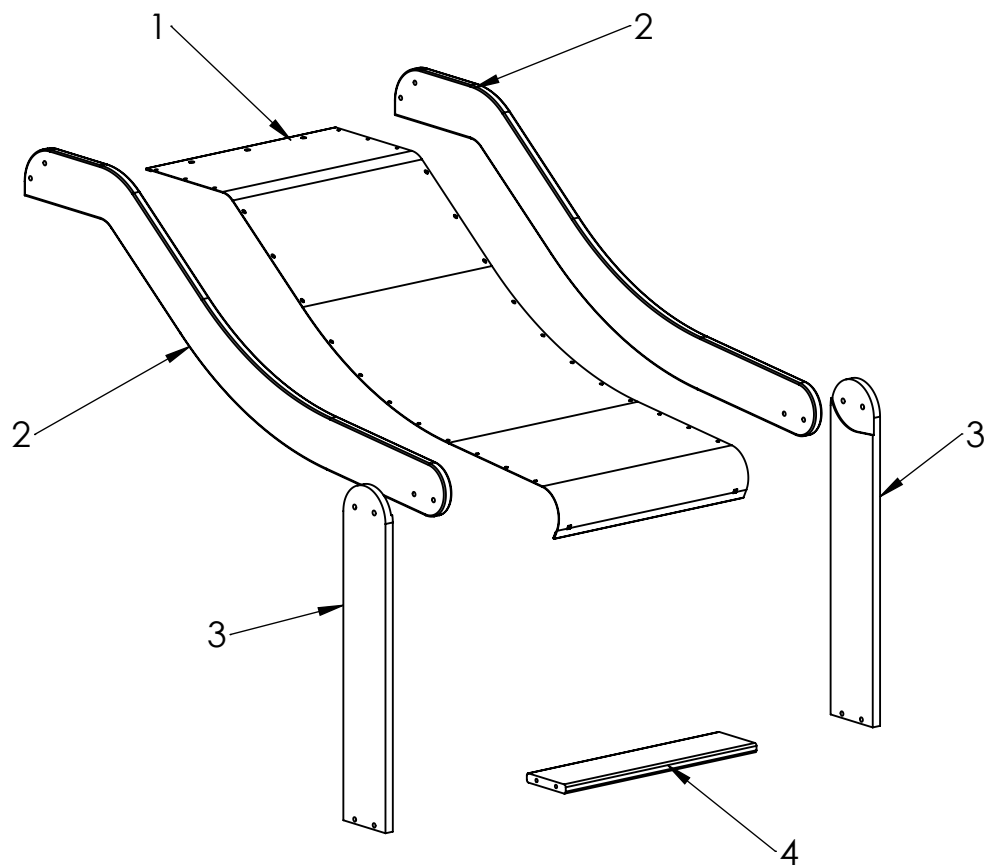
SHEET 2 OF 4

A

B

C

D



E

ITEM NO.	PART NUMBER	DESCRIPTION	QTY.
1	slide base h_0.55	stainless steel	1
2	slide side board h_0.55	HDPE plastic	2
3	slide bottom board	HDPE plastic	2
4	slide ground fixing	HDPE plastic	1

F

UNLESS OTHERWISE SPECIFIED:
DIMENSIONS ARE IN MILLIMETERS
WEIGHT ARE IN KILOGRAMM

PART NUMBER / DWG NO.:

LIU 0.55RV

	NAME	SIGNATURE	DATE	REVISION
DRAWN	R.Fedotov		10.10.2018	
APPV'D				

DESCRIPTION:

Slide h. 0,55 with stainless base



Tiptap OÜ

Tiptap OÜ
Veetorni 9,
Jüri alevik, Rae vald,
75301 Harjumaa

MATERIAL:

wood, metal, plastic

A4

WEIGHT:

SCALE: 1:15

SHEET 3 OF 4

A

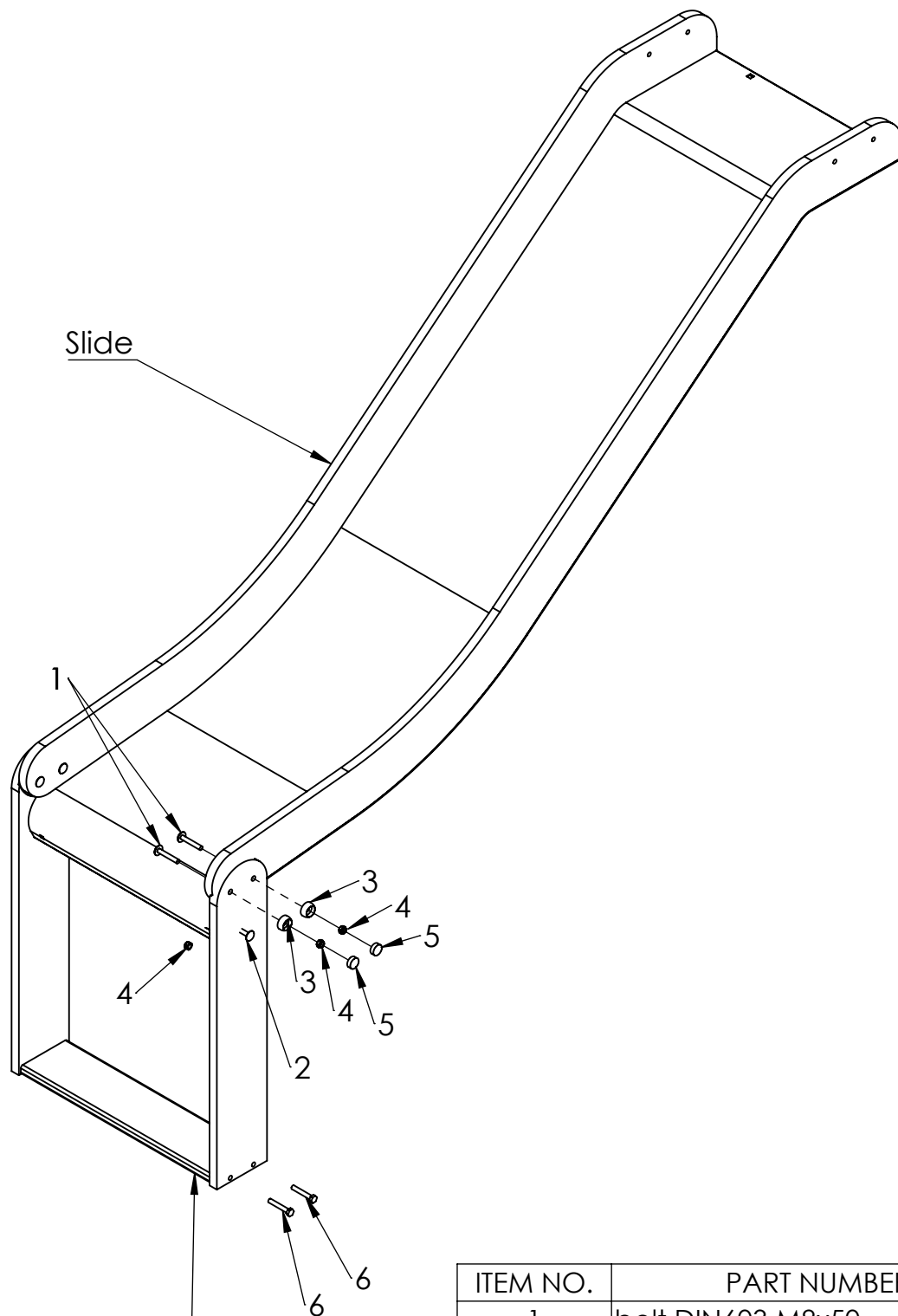
B

C

D

E

F



Ground fixing (PE plastic)

ITEM NO.	PART NUMBER
1	bolt DIN603 M8x50
2	bolt DIN603 M8x30
3	nut cover M8
4	nut DIN985 M8
5	nut cover cap M8
6	bolt DIN933 M8x50

UNLESS OTHERWISE SPECIFIED:
DIMENSIONS ARE IN MILLIMETERS
WEIGHT ARE IN KILOGRAMM

PART NUMBER / DWG NO.:

LIU 0.55RV

	NAME	SIGNATURE	DATE	REVISION
DRAWN	R.Fedotov		10.10.2018	
APPV'D				

DESCRIPTION:

Slide h. 0,55 with stainless base



Tiptiptap OÜ

Tiptiptap OÜ
Veetorni 9,
Jüri alevik, Rae vald,
75301 Harjumaa

MATERIAL:

wood, metal, plastic

A4

WEIGHT:

SCALE: 1:12

SHEET 4 OF 4