

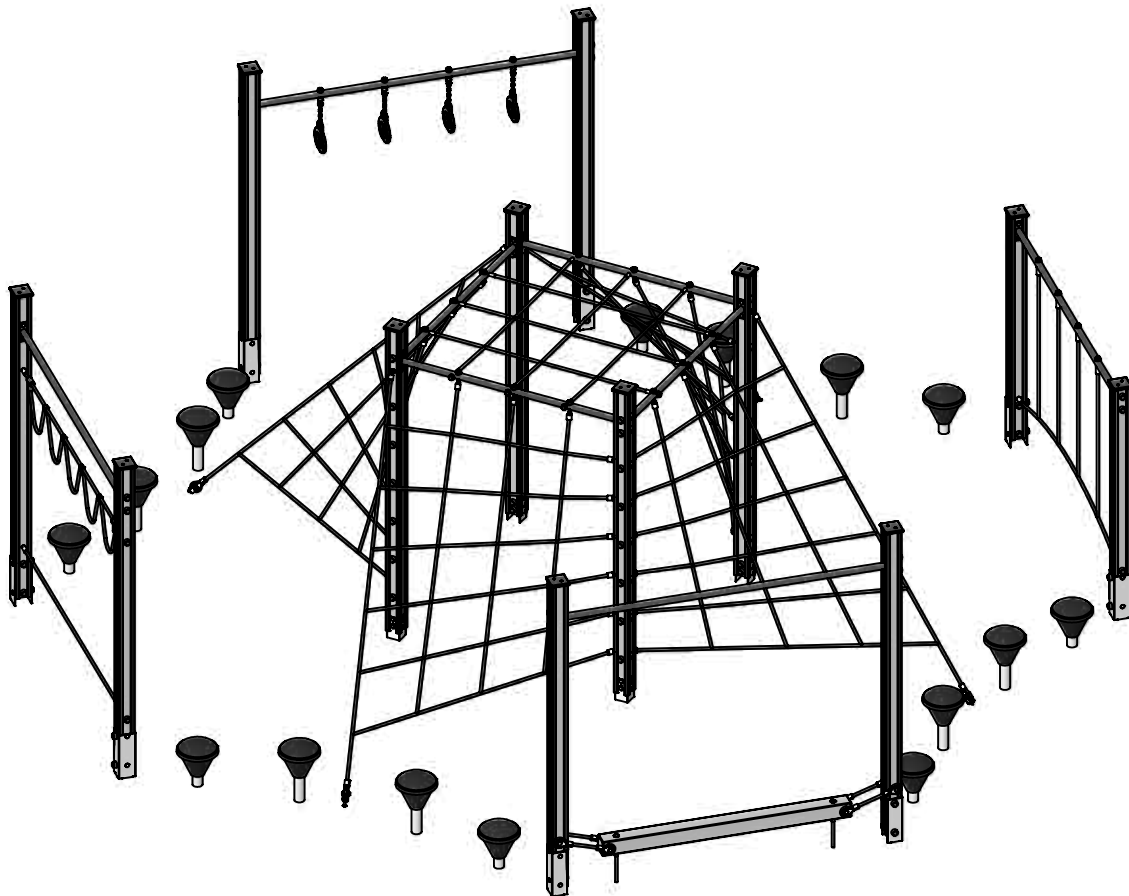
A

B

C

D

E



UNLESS OTHERWISE SPECIFIED:
 DIMENSIONS ARE IN MILLIMETERS
 WEIGHT ARE IN KILOGRAMM

PART NUMBER / DWG NO.:

RS128

	NAME	SIGNATURE	DATE	REVISION
DRAWN	I. Agar		14.09.2020	
APPV'D				

DESCRIPTION:

Climbing complex CIRCLE



Tiptaptap OÜ

Tiptaptap OÜ
 Veetorni 9,
 Jüri alevik, Rae vald,
 75301 Harjumaa

MATERIAL:

wood, metal, plastic

A4

WEIGHT:

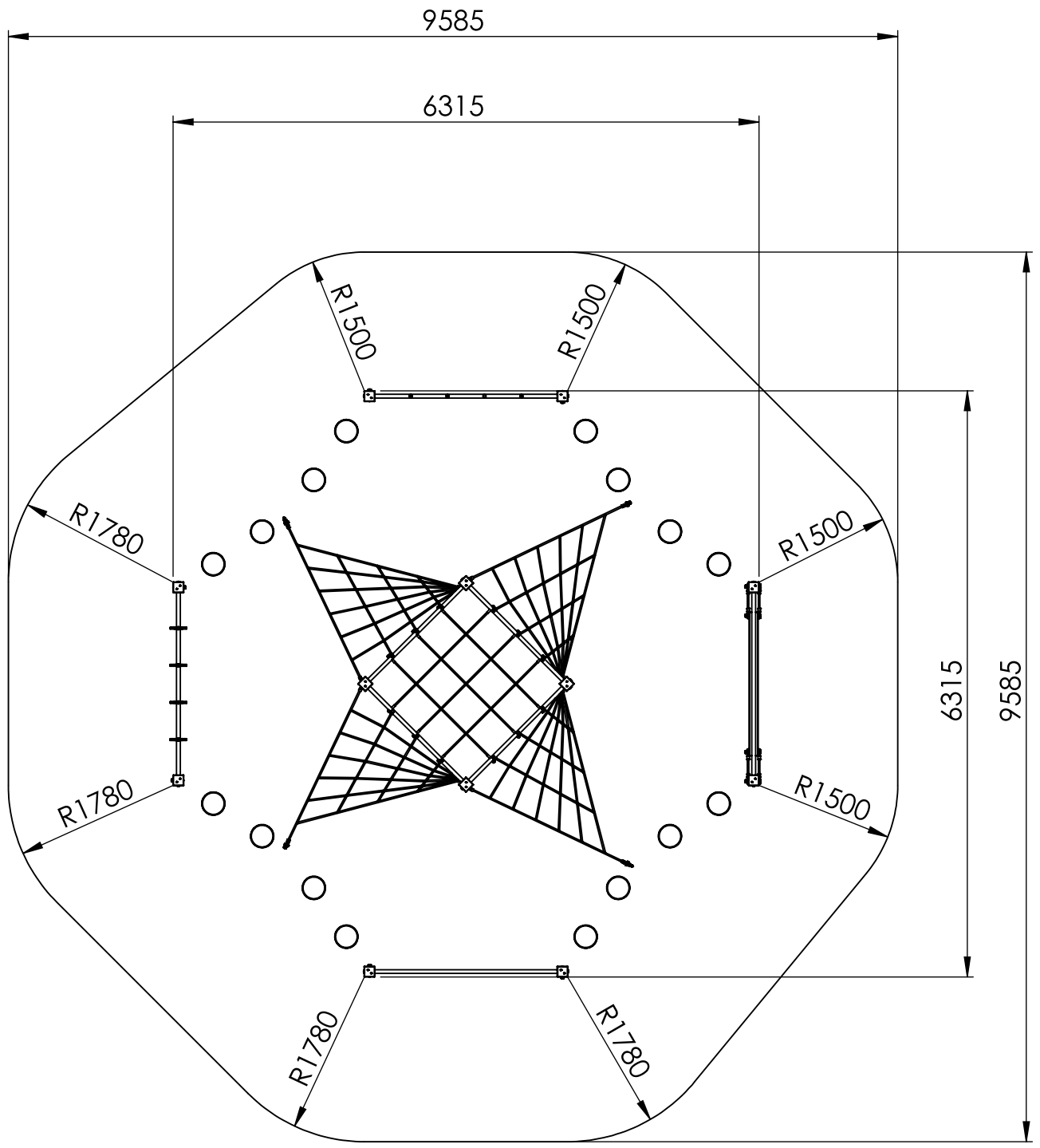
SCALE: 1:45

SHEET 1 OF 11

F

safety area

A
B
C
D
E



UNLESS OTHERWISE SPECIFIED:
DIMENSIONS ARE IN MILLIMETERS
WEIGHT ARE IN KILOGRAMM

PART NUMBER / DWG NO.:
RS128

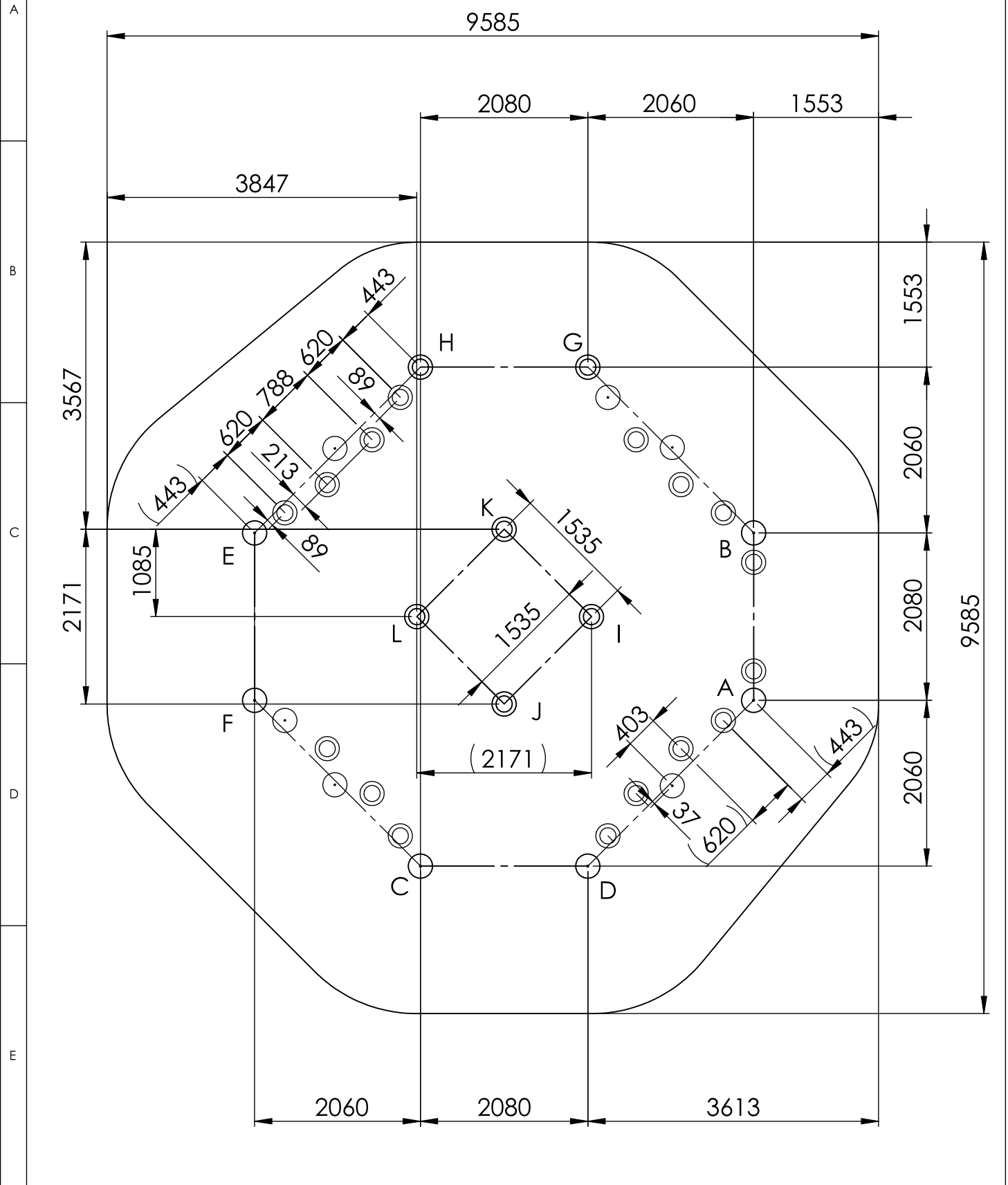
	NAME	SIGNATURE	DATE	REVISION
DRAWN	I.Agar		14.09.2020	
APPV'D				

DESCRIPTION:
Climbing complex CIRCLE


Tiptiptap OÜ
 Veetorni 9,
 Jüri alevik, Rae vald,
 75301 Harjumaa

MATERIAL:	wood, metal, plastic	A4
WEIGHT:	SCALE: 1:65	SHEET 2 OF 11

foundation



UNLESS OTHERWISE SPECIFIED:
DIMENSIONS ARE IN MILLIMETERS
WEIGHT ARE IN KILOGRAMM

PART NUMBER / DWG NO.:

RS128

	NAME	SIGNATURE	DATE	REVISION
DRAWN	I.Agar		14.09.2020	
APPV'D				

DESCRIPTION:

Climbing complex CIRCLE



Tiptaptap OÜ

Tiptaptap OÜ
Veetorni 9,
Jüri alevik, Rae vald,
75301 Harjumaa

MATERIAL:

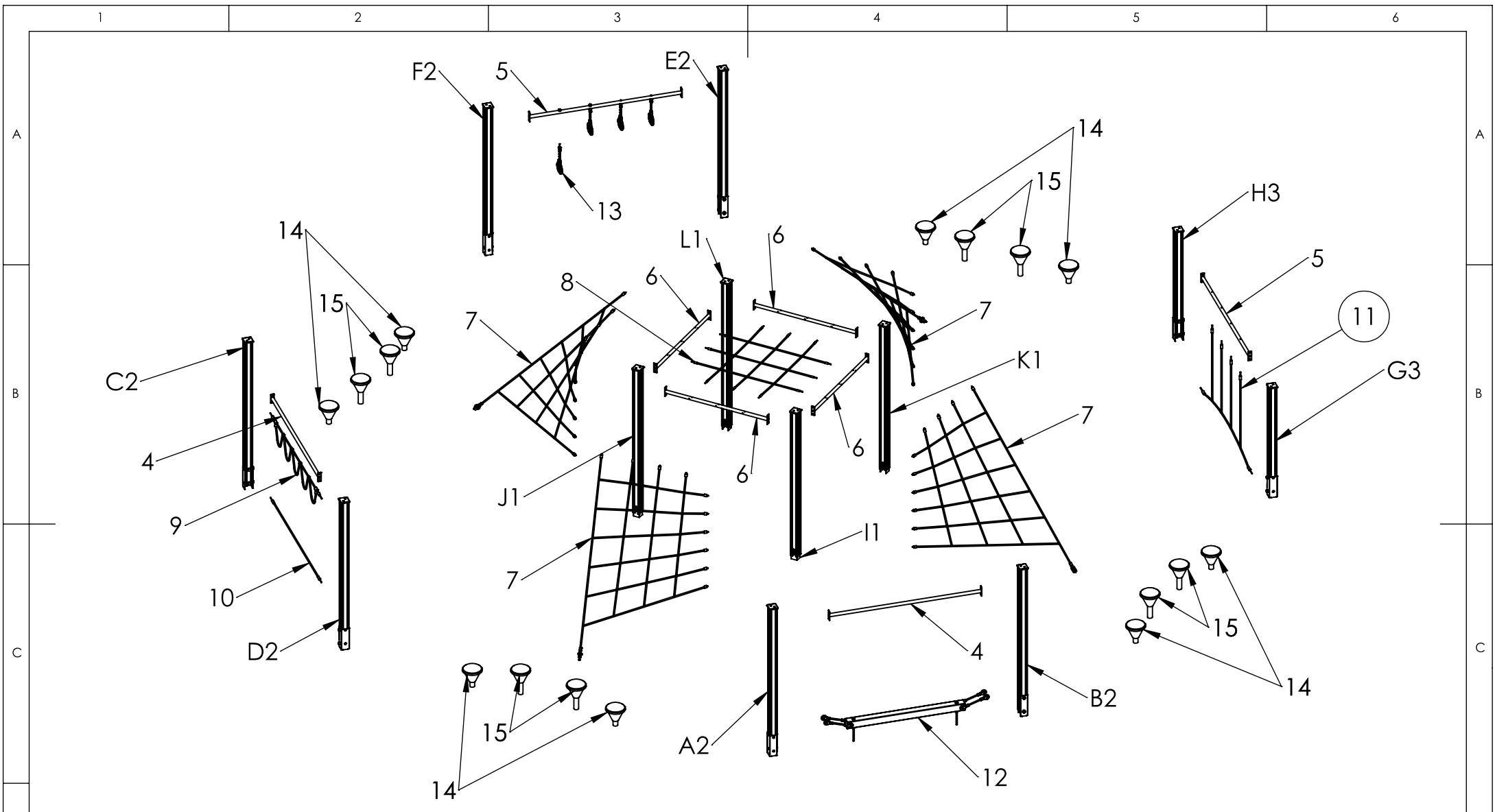
wood, metal, plastic

A4

WEIGHT:

SCALE: 1:65

SHEET 3 OF 11



UNLESS OTHERWISE SPECIFIED:
 DIMENSIONS ARE IN MILLIMETERS
 WEIGHT ARE IN KILOGRAMM

PART NUMBER / DWG NO.:
RS128

	NAME	SIGNATURE	DATE	REVISION
DRAWN	I.Agar		14.09.2020	
APPV'D				

DESCRIPTION:
Climbing complex CIRCLE



Tiptaptap OÜ
 Veetorni 9,
 Jüri alevik, Rae vald,
 75301 Harjumaa

MATERIAL:	wood, metal, plastic	A4
WEIGHT:	SCALE: 1:65	SHEET 4 OF 11

	1	2	3	4
	ITEM NO.	PART NUMBER	DESCRIPTION	
A	1	post 98x98x2100, type 1	laminated wood, PE plastic	4
	2	post 98x98x2100, type 2	laminated wood, PE plastic	6
B	3	post 98x98x1550, type 2	laminated wood, PE plastic	2
	4	beam 40x2000	painting steel	2
	5	beam 40x2000, 4 holes	painting steel	2
C	6	beam 40x2000, 6 holes	painting steel	4
	7	climbing net 01	PP covered steel wire	4
	8	climbing net 02	PP covered steel wire	1
D	9	rope with loops L-2000	PP covered steel wire	1
	10	rope L-2000	PP covered steel wire	1
	11	net 1175x2000	PP covered steel wire	1
	12	balancing beam	laminated wood	1
E	13	handle	HDPE plastic	4
	14	balance stand, L700	rubber, metal	8
	15	balance stand, L800	rubber, metal	8

UNLESS OTHERWISE SPECIFIED:
DIMENSIONS ARE IN MILLIMETERS
WEIGHT ARE IN KILOGRAMM

PART NUMBER / DWG NO.:

RS128

	NAME	SIGNATURE	DATE	REVISION
DRAWN	I.Agar		14.09.2020	
APPV'D				

DESCRIPTION:

Climbing complex CIRCLE



Tiptiptap OÜ

Tiptiptap OÜ
Veetorni 9,
Jüri alevik, Rae vald,
75301 Harjumaa

MATERIAL:

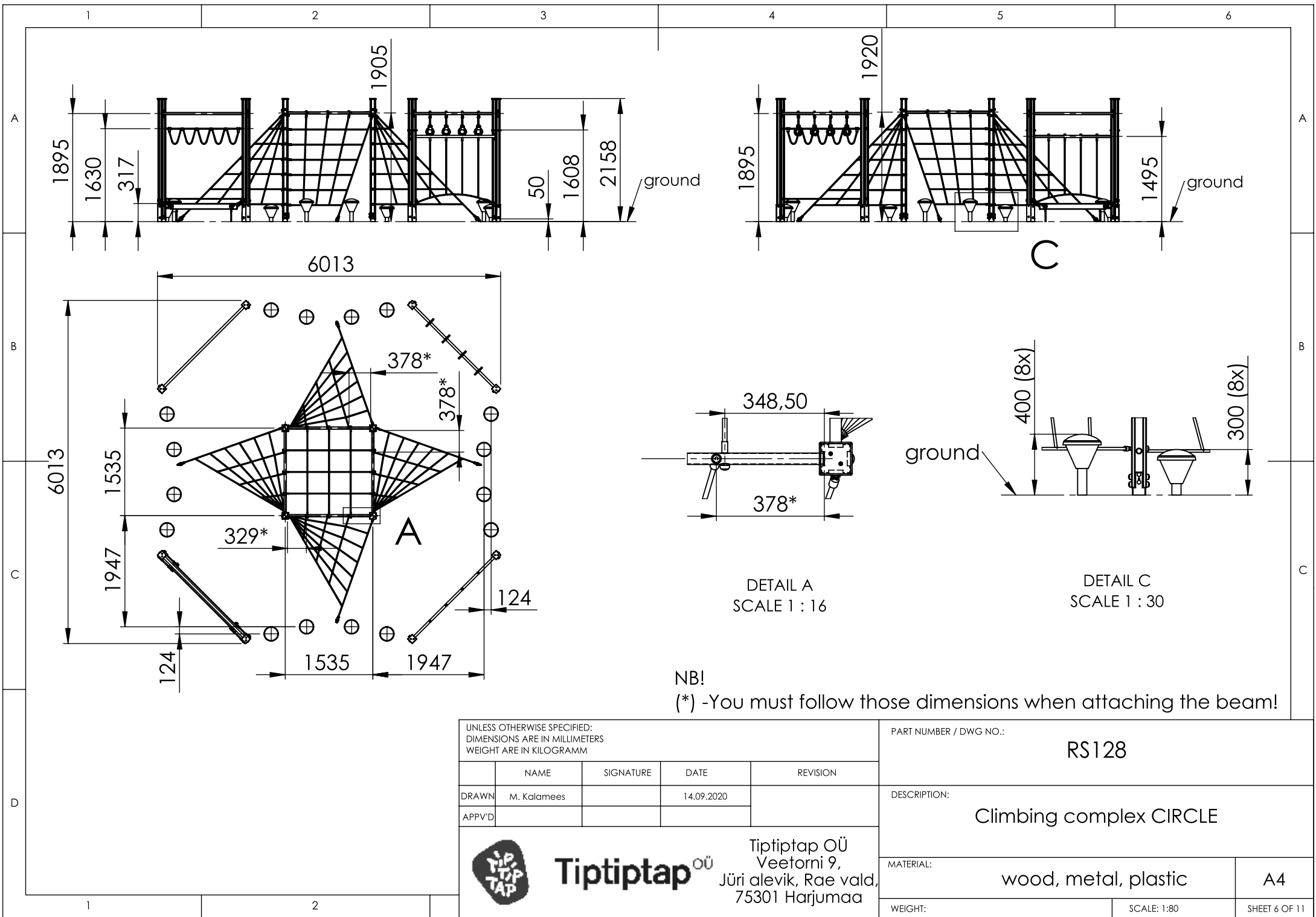
wood, metal, plastic

A4

WEIGHT:

SCALE: 1:65

SHEET 5 OF 11



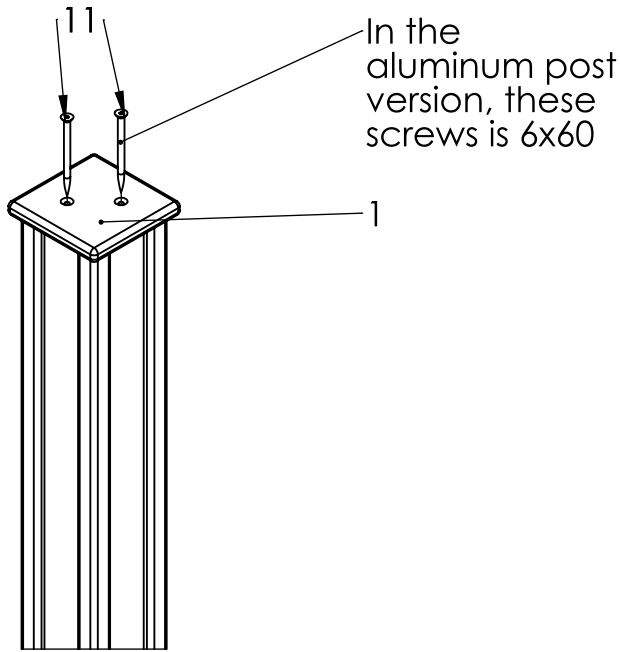
NB!
 (*) -You must follow those dimensions when attaching the beam!

UNLESS OTHERWISE SPECIFIED: DIMENSIONS ARE IN MILLIMETERS WEIGHT ARE IN KILOGRAMM					PART NUMBER / DWG NO.:	
					RS128	
					DESCRIPTION:	
					Climbing complex CIRCLE	
					MATERIAL:	
					wood, metal, plastic	
					A4	
					WEIGHT:	
					SCALE: 1:80	
					SHEET 6 OF 11	

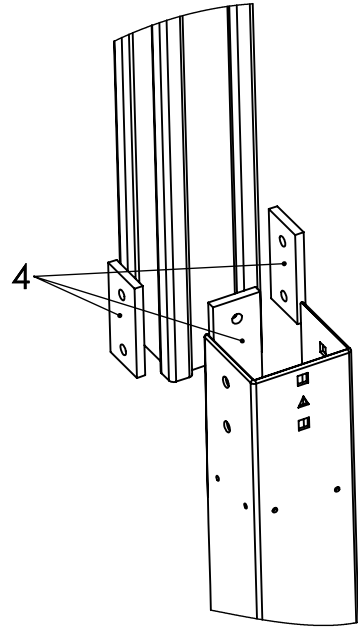


Tiptaptap OÜ
 Tiptaptap OÜ
 Veetorni 9,
 Jüri alevik, Rae vald,
 75301 Harjumaa

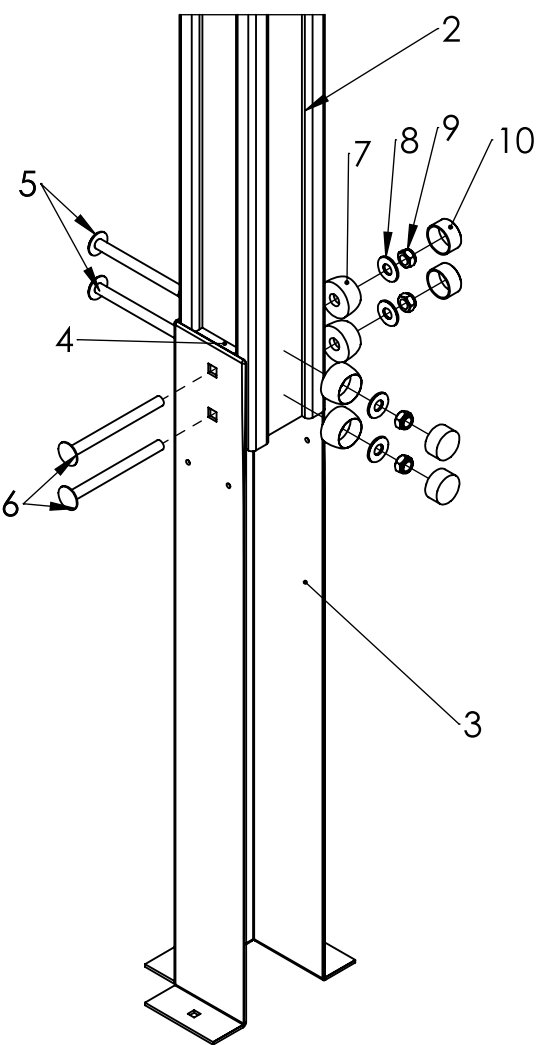
A



B



C



D

E

ITEM NO.	PART NUMBER	DESCRIPTION
1	plastic cap 115x115	PE plastic
2	post	laminated wood
3	ground fixture	steel
4	Post additional plastic	HDPE plastic
5	bolt DIN603 M10x110	galvanized steel
6	bolt M10x120 DIN603	galvanized steel
7	nut cover M12	PE plastic
8	Washer M10 DIN9054	Washer M10
9	nut M10 DIN985	galvanized steel
10	nut cover cap M12	PE plastic
11	wood screw 6x90	galvanized steel

UNLESS OTHERWISE SPECIFIED:
DIMENSIONS ARE IN MILLIMETERS
WEIGHT ARE IN KILOGRAMM

PART NUMBER / DWG NO.:

RS128

	NAME	SIGNATURE	DATE	REVISION
DRAWN	I.Agar		14.09.2020	
APPV'D				

DESCRIPTION:
Climbing complex CIRCLE

F



Tiptiptap OÜ

Tiptiptap OÜ
Veetorni 9,
Jüri alevik, Rae vald,
75301 Harjumaa

MATERIAL:	wood, metal, plastic	A4
-----------	----------------------	----

WEIGHT:	SCALE: 1:7	SHEET 7 OF 11
---------	------------	---------------

A

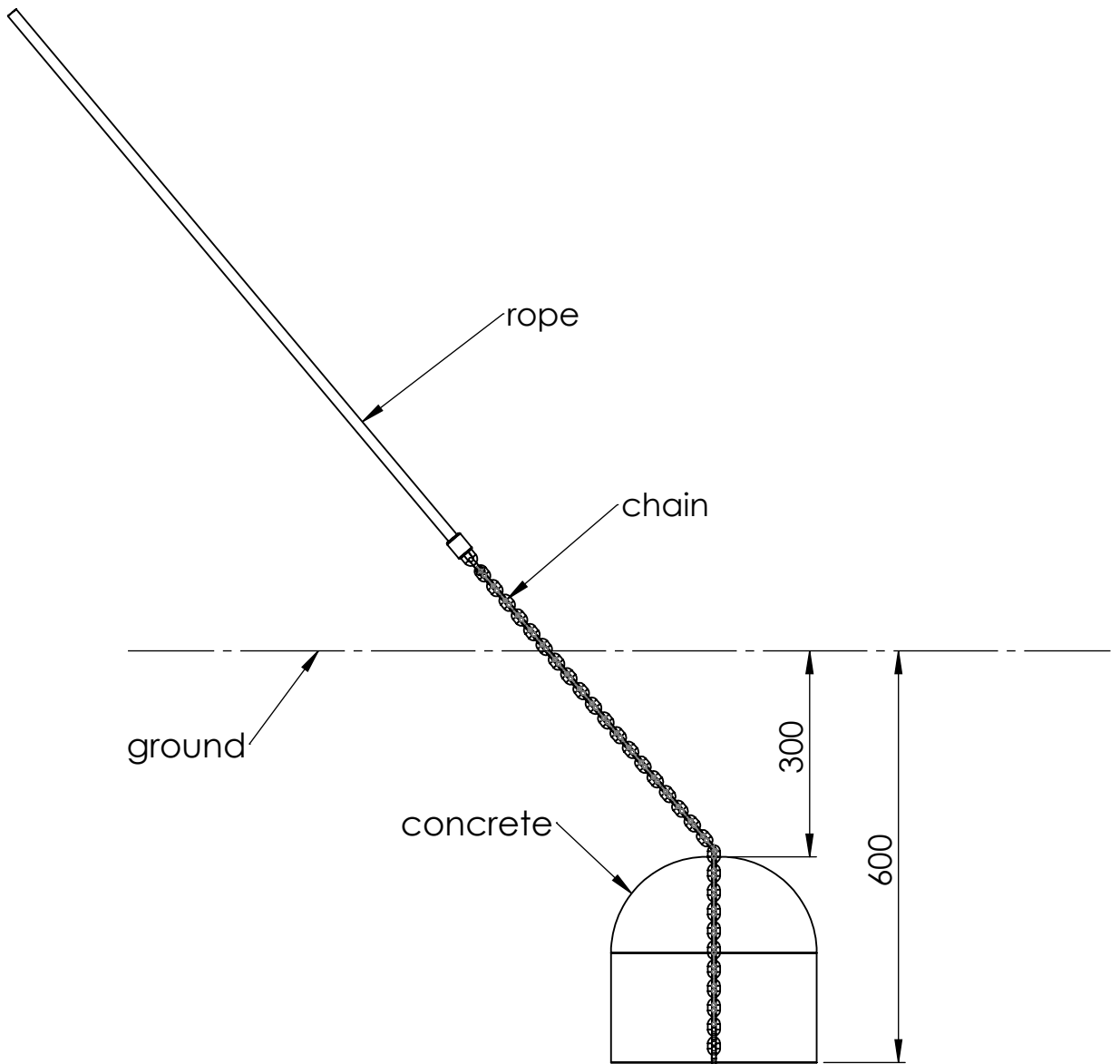
attaching chain to concrete

B

C

D

E



UNLESS OTHERWISE SPECIFIED:
 DIMENSIONS ARE IN MILLIMETERS
 WEIGHT ARE IN KILOGRAMM

PART NUMBER / DWG NO.:

RS128

	NAME	SIGNATURE	DATE	REVISION
DRAWN	I.Agar		14.09.2020	
APPV'D				

DESCRIPTION:

Climbing complex CIRCLE

F



Tiptiptap OÜ

Tiptiptap OÜ
 Veetorni 9,
 Jüri alevik, Rae vald,
 75301 Harjumaa

MATERIAL:

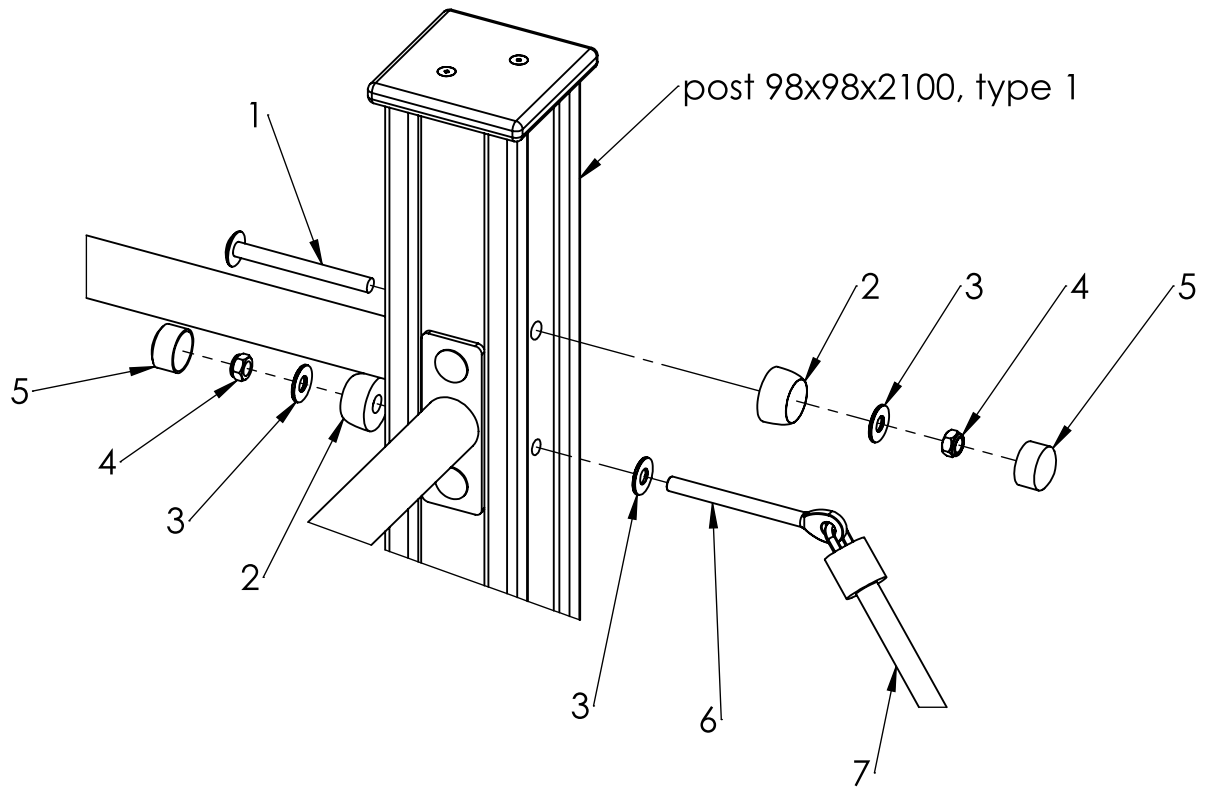
wood, metal, plastic

A4

WEIGHT:

SCALE: 1:6

SHEET 8 OF 11



ITEM NO.	PART NUMBER
1	bolt M10x100 DIN603
2	nut cover M12
3	washer M10 DIN9054
4	nut M10 DIN985
5	nut cover cap M12
6	bolt M10x100 DIN444
7	climbing net 01

UNLESS OTHERWISE SPECIFIED:
DIMENSIONS ARE IN MILLIMETERS
WEIGHT ARE IN KILOGRAMM

	NAME	SIGNATURE	DATE	REVISION
DRAWN	I.Agar		14.09.2020	
APPV'D				

PART NUMBER / DWG NO.:	DESCRIPTION:
74	plastik kausis RS128
75	kandilise poomi aasadega köis Climbing complex CIRCLE
76	connecting beam and net to post al.nõus-2kõitrossile



Tiptap OÜ

Tiptap OÜ
Veetorni 9,
Jüri alevik, Rae vald,
75301 Harjumaa

MATERIAL:	wood, metal, plastic	A4
WEIGHT:	SCALE: 1:5	SHEET 9 OF 11

A

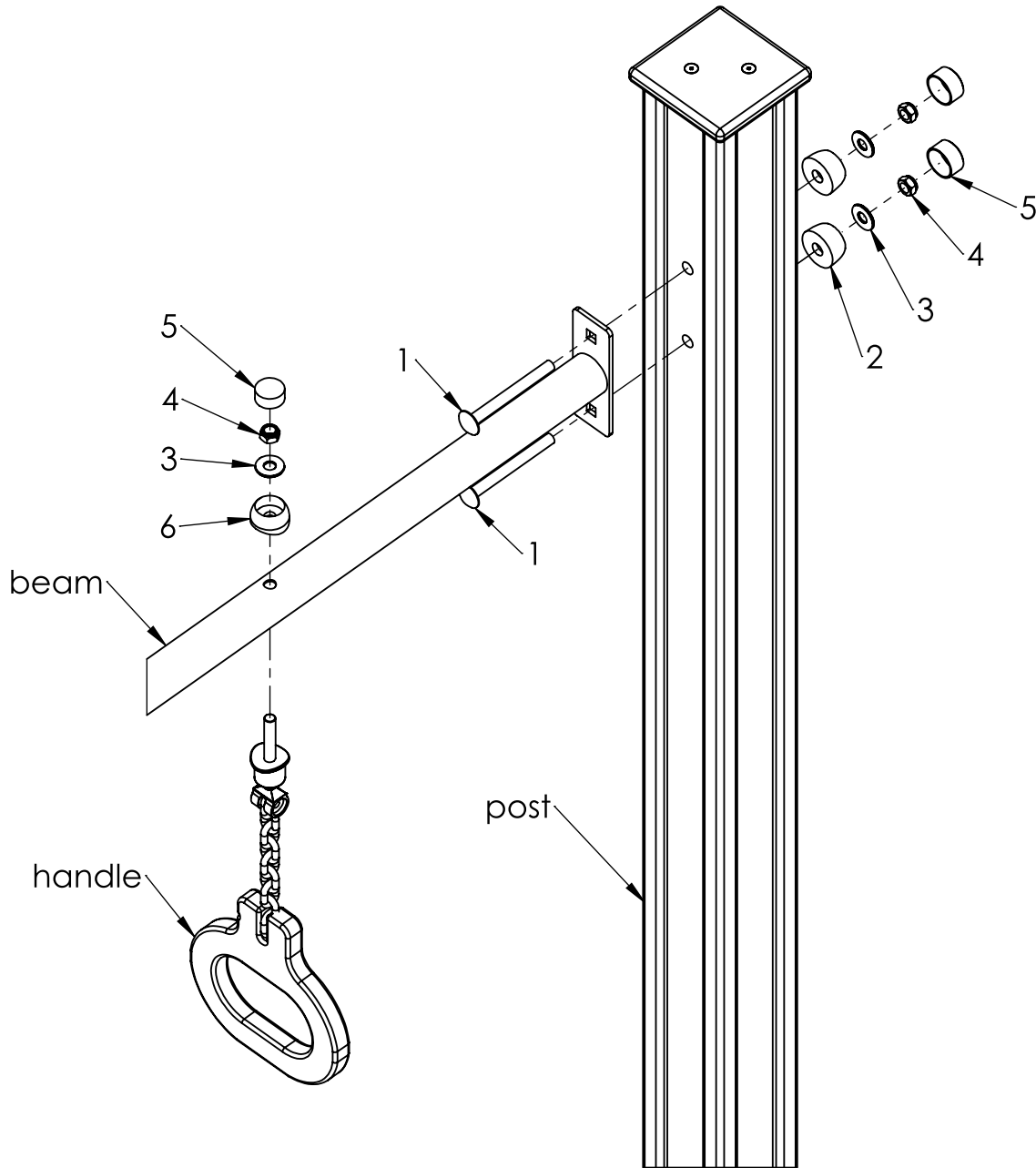
B

C

D

E

F



ITEM NO.	PART NUMBER
1	bolt M10x100 DIN603
2	nut cover M12
3	washer M10 DIN9054
4	nut M10 DIN985
5	nut cover cap M12
6	nut cover for beam M12

UNLESS OTHERWISE SPECIFIED:
 DIMENSIONS ARE IN MILLIMETERS
 WEIGHT ARE IN KILOGRAMM

	NAME	SIGNATURE	DATE	REVISION
DRAWN	I.Agar		14.09.2020	
APPV'D				

PART NUMBER / DWG NO.:	74	plastikkauus R5128
DESCRIPTION:	75	kandilise poomi aasadega kais kausile Climbing complex CIRCLE
	76	connecting handle for trassile aj. hülss 2 köit trassile



Tiptaptap OÜ

Tiptaptap OÜ
 Veetorni 9,
 Jüri alevik, Rae vald,
 75301 Harjumaa

MATERIAL:	wood, metal, plastic	A4
WEIGHT:		SHEET 10 OF 11

SCALE: 1:6

A

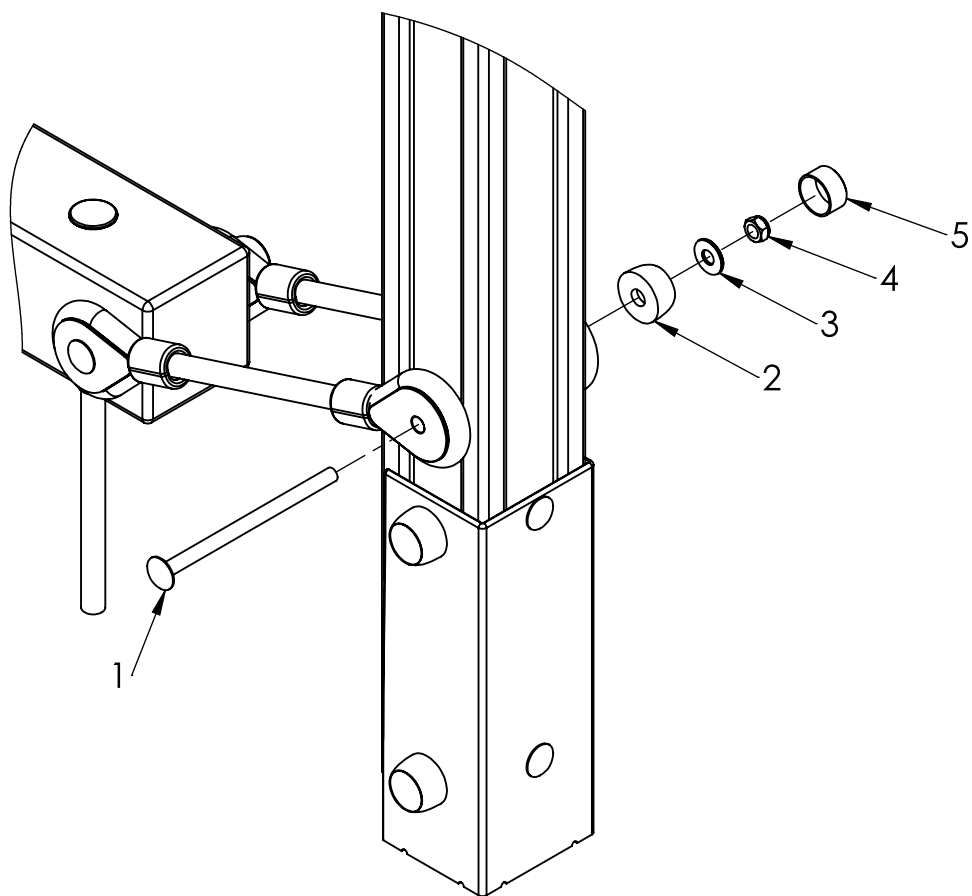
B

C

D

E

F



ITEM NO.	PART NUMBER
1	bolt DIN603 M10x160
2	nut cover M12
3	washer M10 DIN9054
4	nut M10 DIN985
5	nut cover cap M12

UNLESS OTHERWISE SPECIFIED:
DIMENSIONS ARE IN MILLIMETERS
WEIGHT ARE IN KILOGRAMM

PART NUMBER / DWG NO.:

RS128

	NAME	SIGNATURE	DATE	REVISION
DRAWN	I.Agar		14.09.2020	
APPV'D				

DESCRIPTION:

Climbing complex CIRCLE
connecting balancing beam to post

MATERIAL:

wood, metal, plastic

A4

WEIGHT:

SCALE: 1:5

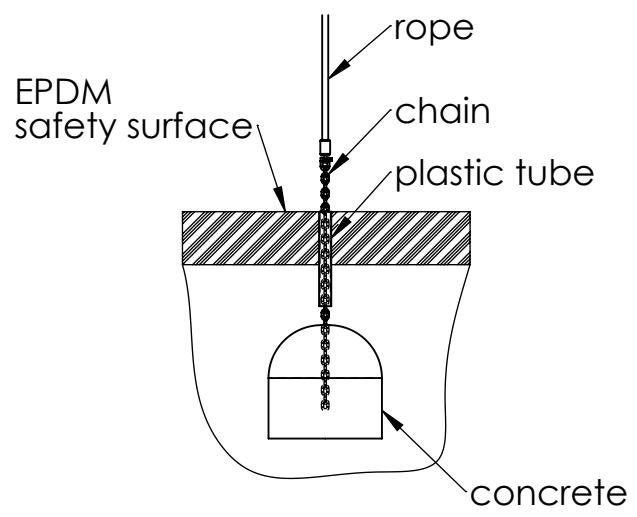
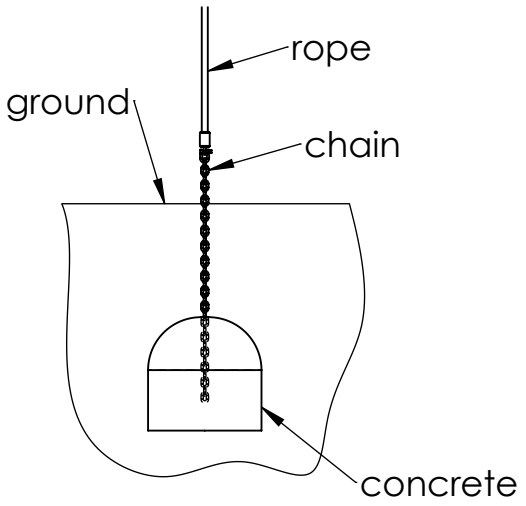
SHEET 11 OF 11



Tiptaptap OÜ

Tiptaptap OÜ
Veetorni 9,
Jüri alevik, Rae vald,
75301 Harjumaa

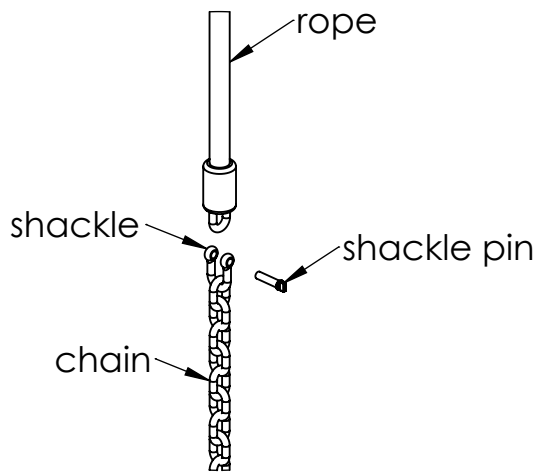
A



B

C

D



E

1. Hang and fix the chain in the right place and pour concrete.
2. In the case of EPDM, first put the chain through the plastic tube.
3. Tighten the rope and fasten it to the chain with a shackle (you may have to cut the chain shorter).
3. Fill the area with sand or other suitable material (in the case of EPDM, cut the plastic tube to the same level with the surface)

F

UNLESS OTHERWISE SPECIFIED: DIMENSIONS ARE IN MILLIMETERS WEIGHT ARE IN KILOGRAMM				
	NAME	SIGNATURE	DATE	REVISION
DRAWN	I. Agar		14.09.2020	
APPV'D				

PART NUMBER / DWG NO.: **RS128**

DESCRIPTION: **Climbing complex CIRCLE
connecting balancing beam to post**



Tiptiptap OÜ

Tiptiptap OÜ
Veetorni 9,
Jüri alevik, Rae vald,
75301 Harjumaa

MATERIAL: **wood, metal, plastic**

A4

WEIGHT: SCALE: 1:5

chain tensioning option

A

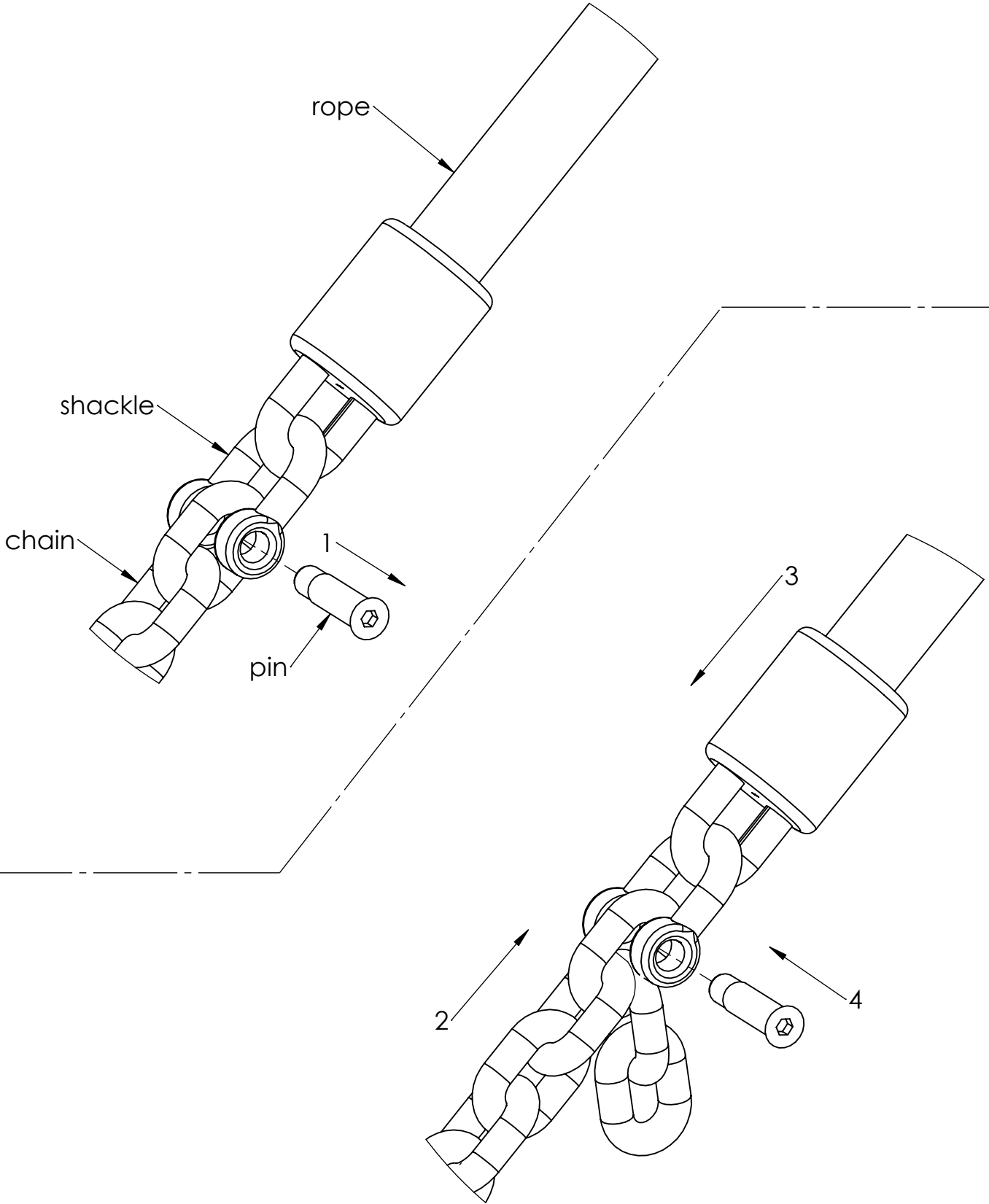
B

C

D

E

F



UNLESS OTHERWISE SPECIFIED:
DIMENSIONS ARE IN MILLIMETERS
WEIGHT ARE IN KILOGRAMM

	NAME	SIGNATURE	DATE	REVISION
DRAWN	I.Agar		14.09.2020	
APPV'D				

PART NUMBER / DWG NO.: **RS128**

DESCRIPTION:
Climbing complex CIRCLE
connecting balancing beam to post

 **Tiptiptap** OÜ
Veetorni 9,
Jüri alevik, Rae vald,
75301 Harjumaa

MATERIAL: wood, metal, plastic

WEIGHT: SCALE: 1:5

A4