

A

B

C

D

E

F



UNLESS OTHERWISE SPECIFIED:  
 DIMENSIONS ARE IN MILLIMETERS  
 WEIGHT ARE IN KILOGRAMM

PART NUMBER / DWG NO.:

LM232

|       | NAME   | SIGNATURE | DATE       | REVISION |
|-------|--------|-----------|------------|----------|
| DRAWN | I.Agar |           | 30.03.2023 |          |
| APPVD |        |           |            |          |

DESCRIPTION:

Play centre Arthur



Tiptiptap <sup>00</sup>

MATERIAL:

wood, metal, plastic

A4

WEIGHT:

SCALE: 1:45

SHEET 1 OF 66

A

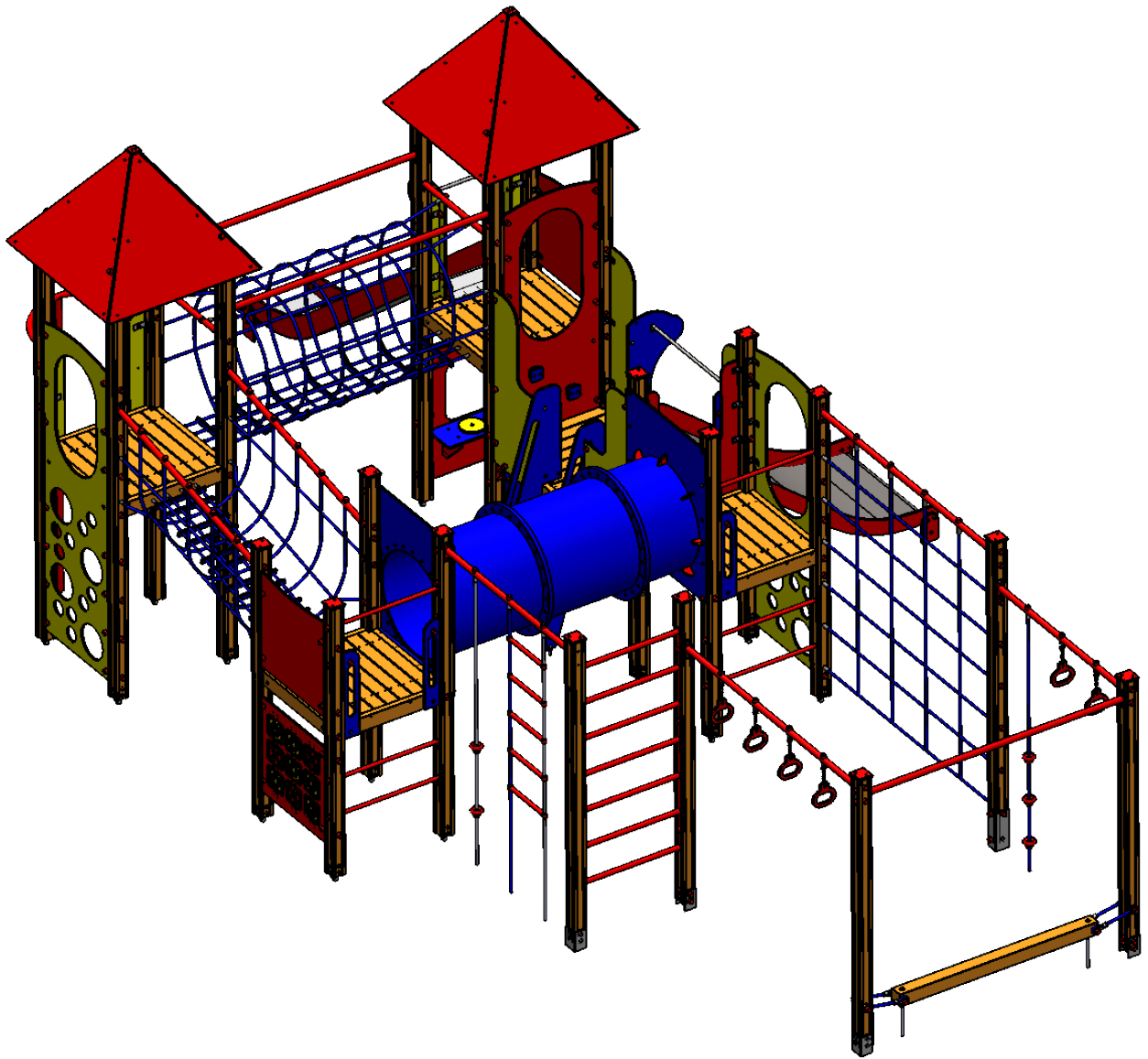
B

C

D

E

F



UNLESS OTHERWISE SPECIFIED:  
 DIMENSIONS ARE IN MILLIMETERS  
 WEIGHT ARE IN KILOGRAMM

PART NUMBER / DWG NO.:

LM232

|       | NAME   | SIGNATURE | DATE       | REVISION |
|-------|--------|-----------|------------|----------|
| DRAWN | I.Agar |           | 30.03.2023 |          |
| APPVD |        |           |            |          |

DESCRIPTION:

Play centre Arthur



Tiptiptap<sup>00</sup>

MATERIAL:

wood, metal, plastic

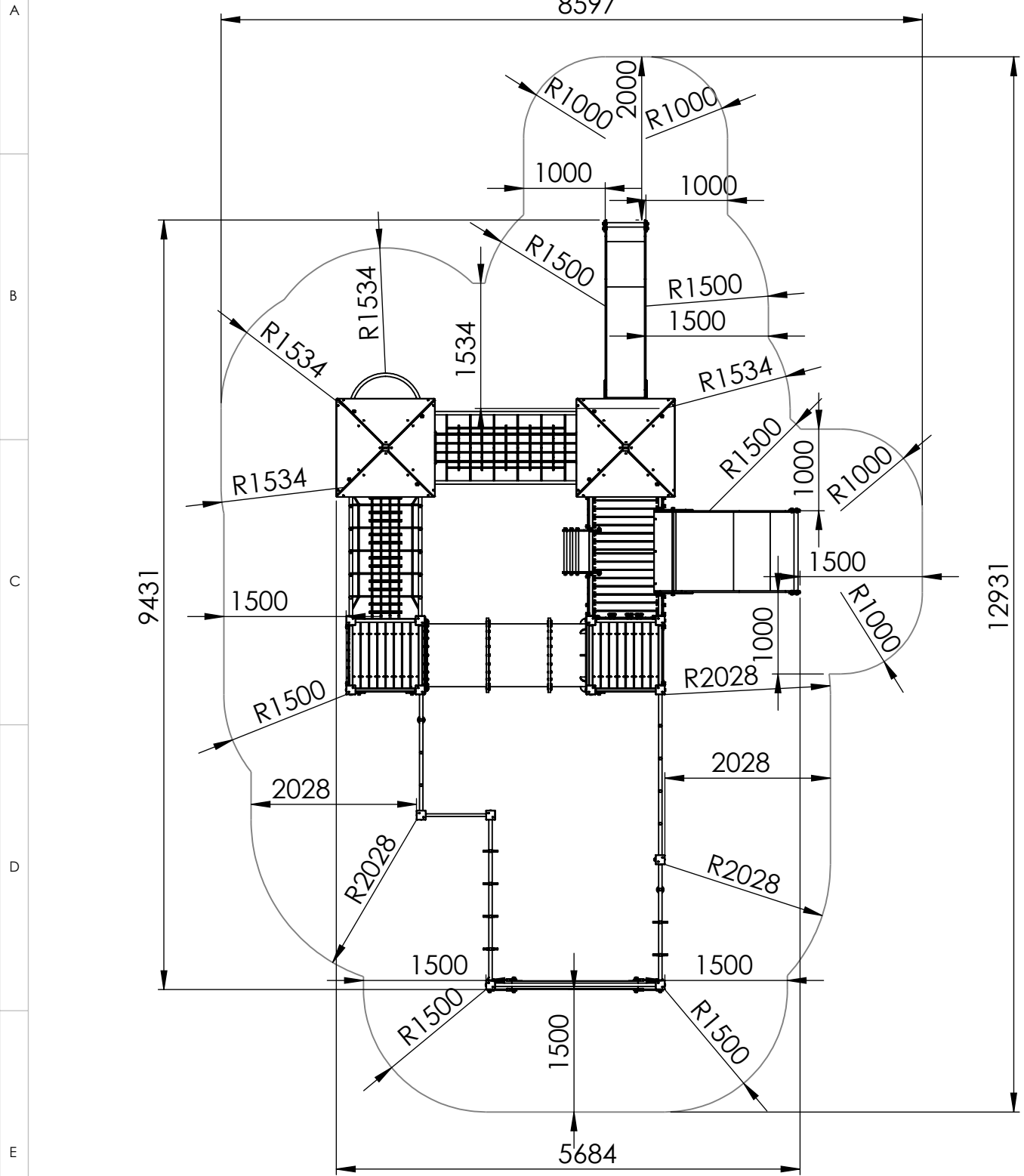
A4

WEIGHT:

SCALE: 1:45

SHEET 2 OF 66

Safety area



UNLESS OTHERWISE SPECIFIED:  
DIMENSIONS ARE IN MILLIMETERS  
WEIGHT ARE IN KILOGRAMM

PART NUMBER / DWG NO.:

LM232

|        | NAME   | SIGNATURE | DATE       | REVISION |
|--------|--------|-----------|------------|----------|
| DRAWN  | I.Agar |           | 30.03.2023 |          |
| APPV'D |        |           |            |          |

DESCRIPTION:

Play centre Arthur

MATERIAL:

wood, metal, plastic

A4

WEIGHT:

SCALE: 1:70

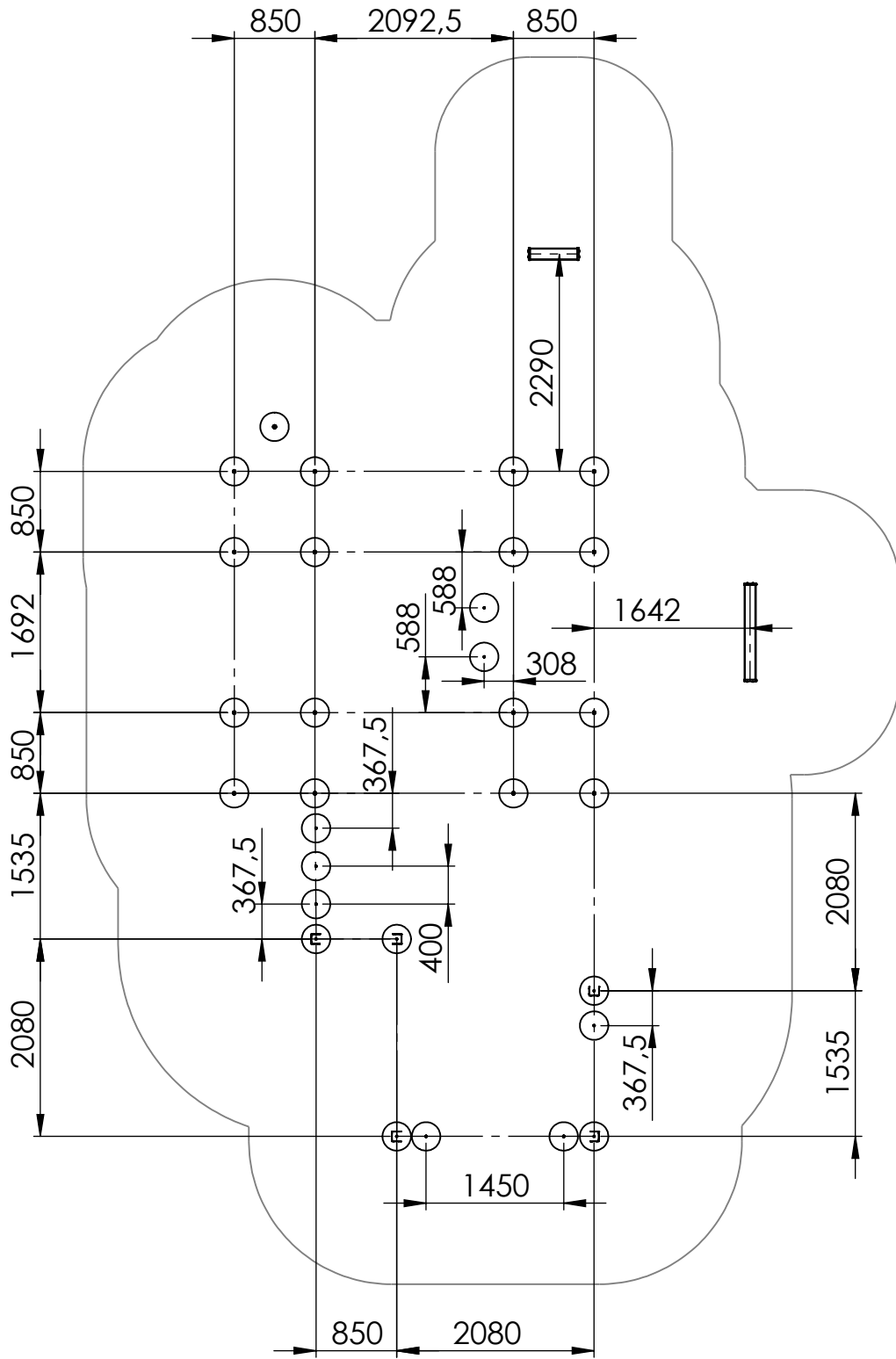
SHEET 3 OF 66



Tiptiptap OÜ

# Foundation

A  
B  
C  
D  
E



Depth of foundation: 600mm

UNLESS OTHERWISE SPECIFIED:  
DIMENSIONS ARE IN MILLIMETERS  
WEIGHT ARE IN KILOGRAMM

PART NUMBER / DWG NO.:

LM232

|        | NAME   | SIGNATURE | DATE       | REVISION |
|--------|--------|-----------|------------|----------|
| DRAWN  | I.Agar |           | 30.03.2023 |          |
| APPV'D |        |           |            |          |

DESCRIPTION:

Play centre Arthur

MATERIAL:

wood, metal, plastic

A4

WEIGHT:

SCALE: 1:70

SHEET 4 OF 66



Tiptiptap<sup>OO</sup>

# Foundation

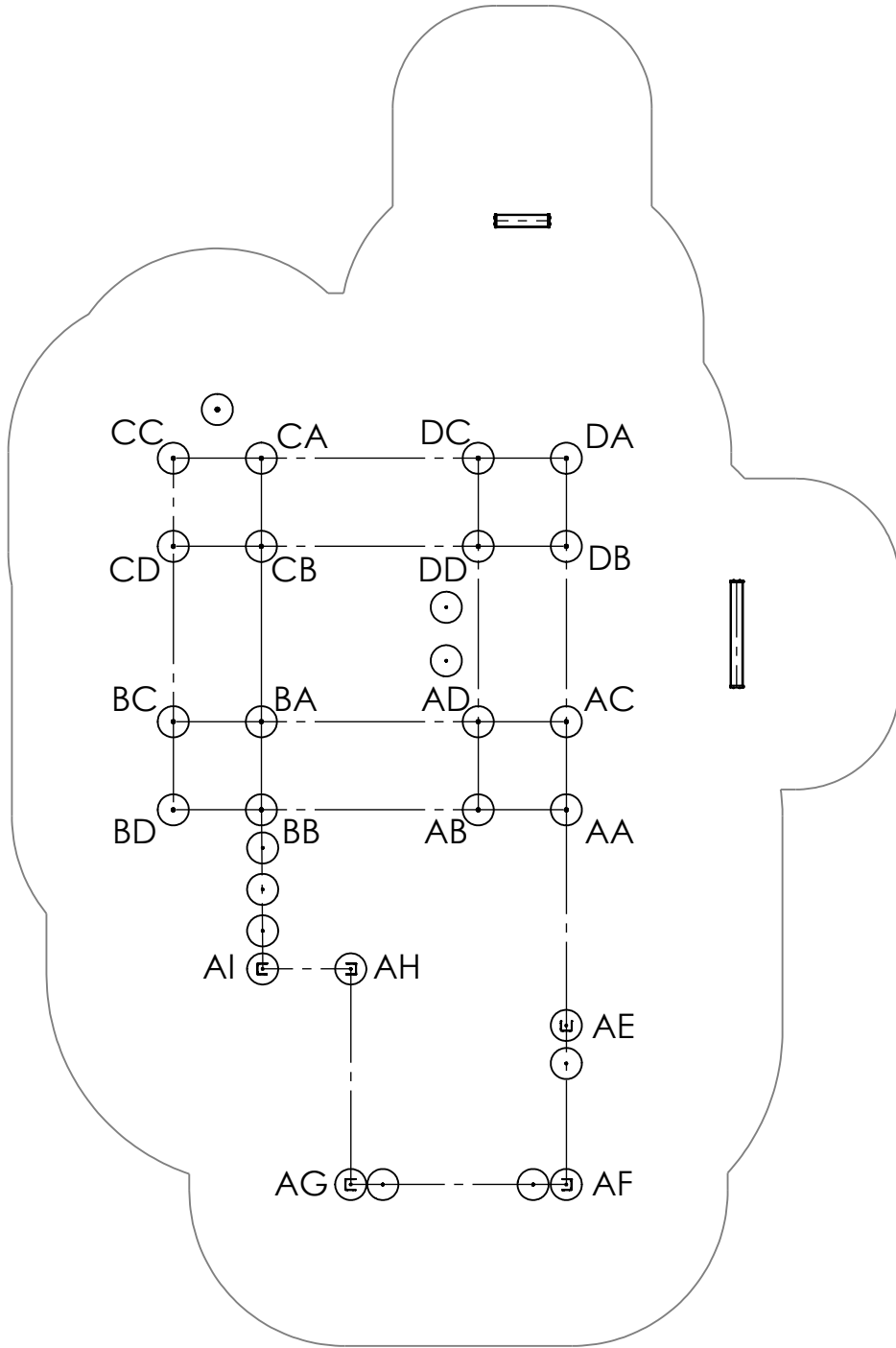
A

B

C

D

E



Depth of foundation: 600mm

UNLESS OTHERWISE SPECIFIED:  
 DIMENSIONS ARE IN MILLIMETERS  
 WEIGHT ARE IN KILOGRAMM

PART NUMBER / DWG NO.:

LM232

|        | NAME   | SIGNATURE | DATE       | REVISION |
|--------|--------|-----------|------------|----------|
| DRAWN  | I.Agar |           | 30.03.2023 |          |
| APPV'D |        |           |            |          |

DESCRIPTION:

Play centre Arthur

MATERIAL:

wood, metal, plastic

A4

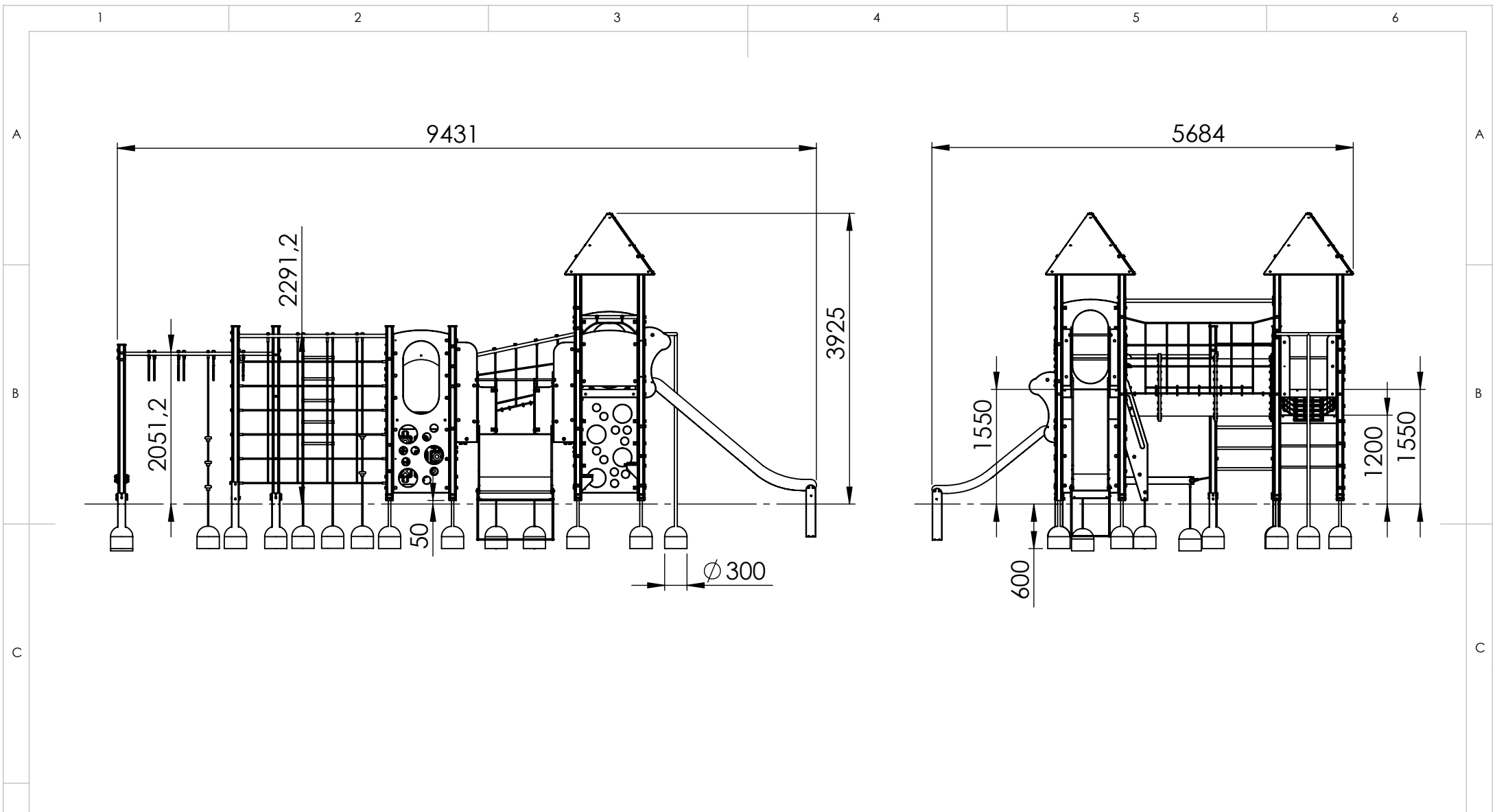
WEIGHT:

SCALE: 1:70

SHEET 5 OF 66



## Tiptiptap<sup>ÖÜ</sup>



UNLESS OTHERWISE SPECIFIED:  
 DIMENSIONS ARE IN MILLIMETERS  
 WEIGHT ARE IN KILOGRAMM

PART NUMBER / DWG NO.:  
**LM232**

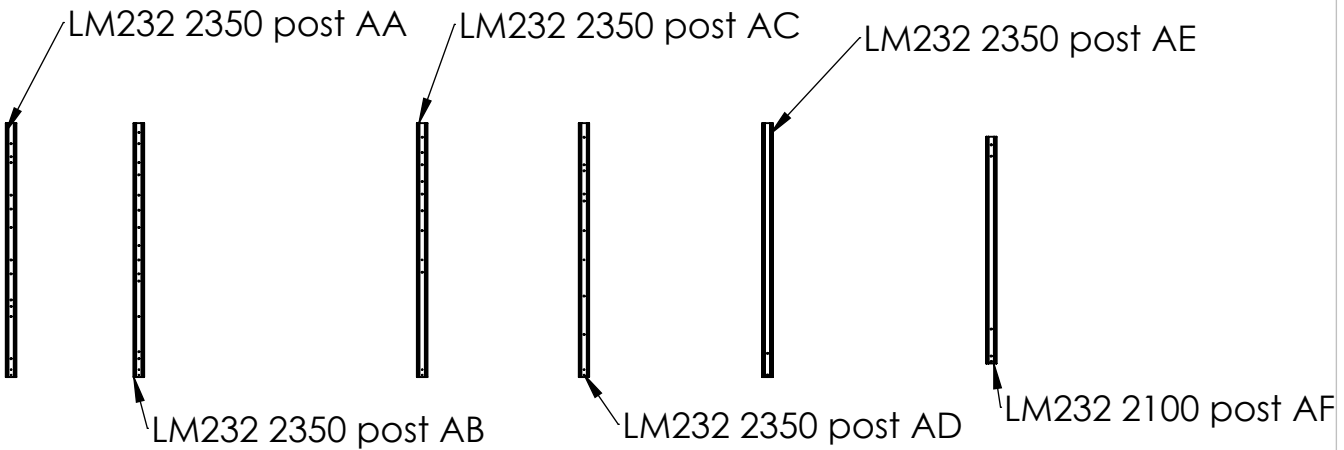
|        | NAME   | SIGNATURE | DATE       | REVISION |
|--------|--------|-----------|------------|----------|
| DRAWN  | I.Agar |           | 30.03.2023 |          |
| APPV'D |        |           |            |          |

DESCRIPTION:  
**Play centre Arthur**



|           |                      |               |
|-----------|----------------------|---------------|
| MATERIAL: | wood, metal, plastic | A4            |
| WEIGHT:   | SCALE: 1:70          | SHEET 6 OF 66 |

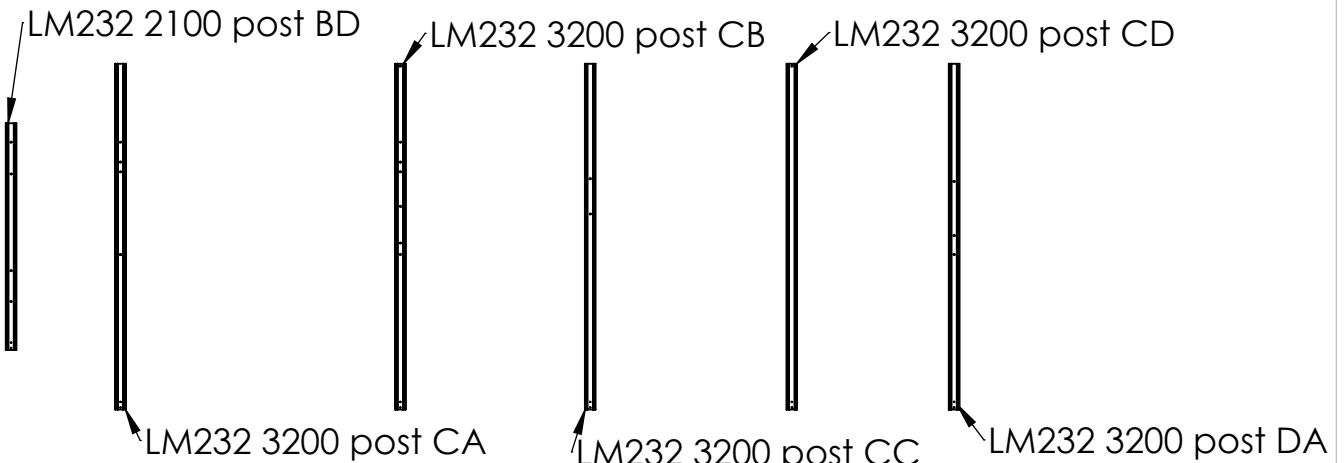
A



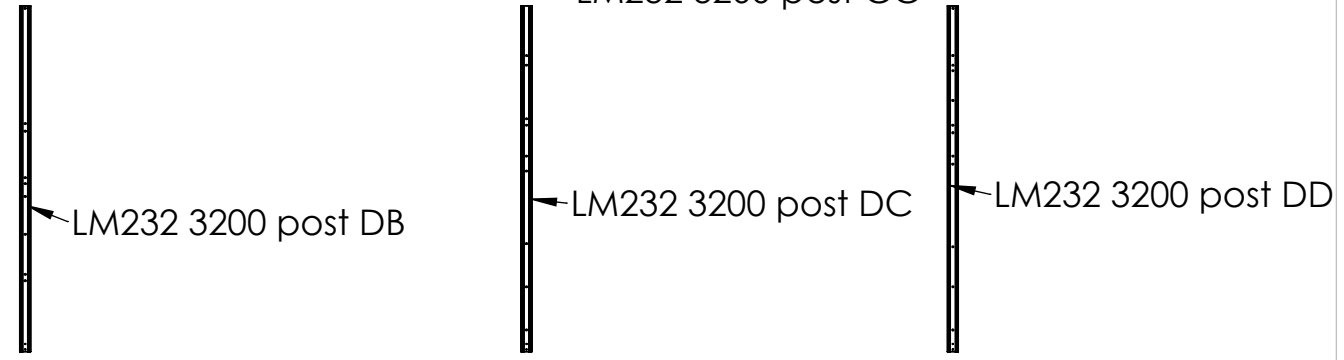
B




C



D

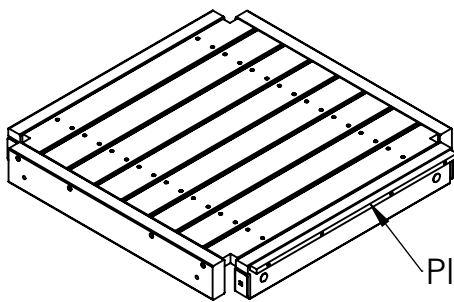


E

|   |           |            |          |   |             |
|---|-----------|------------|----------|---|-------------|
| UNLESS OTHERWISE SPECIFIED:<br>DIMENSIONS ARE IN MILLIMETERS<br>WEIGHT ARE IN KILOGRAMM           |           |            |          | PART NUMBER / DWG NO.:<br><b>LM232</b>    |             |
| NAME  | SIGNATURE | DATE       | REVISION | DESCRIPTION:<br><b>Play centre Arthur</b> |             |
| DRAWN   | I.Agar    | 30.03.2023 |          |   |             |
| APPV'D  |           |            |          |   |             |
|  <b>Tiptap</b> |           |            |          | MATERIAL:<br>wood, metal, plastic         |             |
|   |           |            |          | A4  |             |
|   |           |            |          | WEIGHT:                                   | SCALE: 1:70 |
|   |           |            |          | SHEET 7 OF 66                             |             |

F

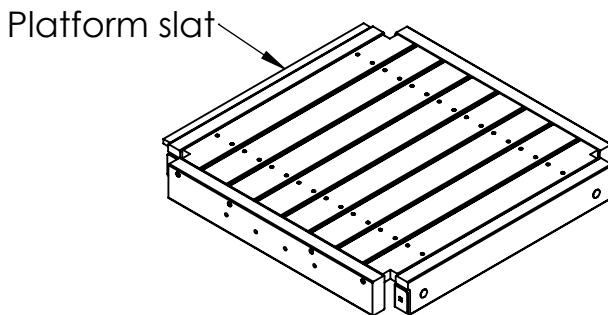
A



Platform A

Platform slat

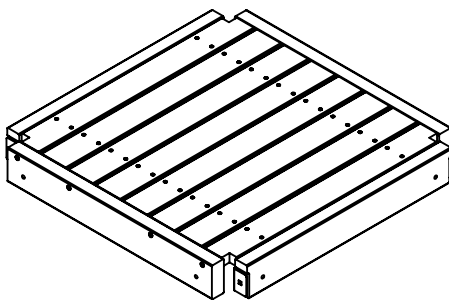
B



Platform B

Platform slat

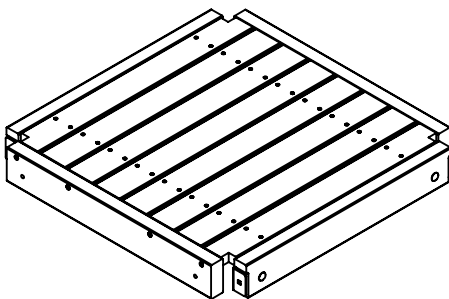
C



Platform C

D

E



Platform D

UNLESS OTHERWISE SPECIFIED:  
DIMENSIONS ARE IN MILLIMETERS  
WEIGHT ARE IN KILOGRAMM

PART NUMBER / DWG NO.:

LM232

|        | NAME   | SIGNATURE | DATE       | REVISION |
|--------|--------|-----------|------------|----------|
| DRAWN  | I.Agar |           | 30.03.2023 |          |
| APPV'D |        |           |            |          |

DESCRIPTION:

Play centre Arthur

F



Tiptiptap<sup>00</sup>

MATERIAL:

wood, metal, plastic

A4

WEIGHT:

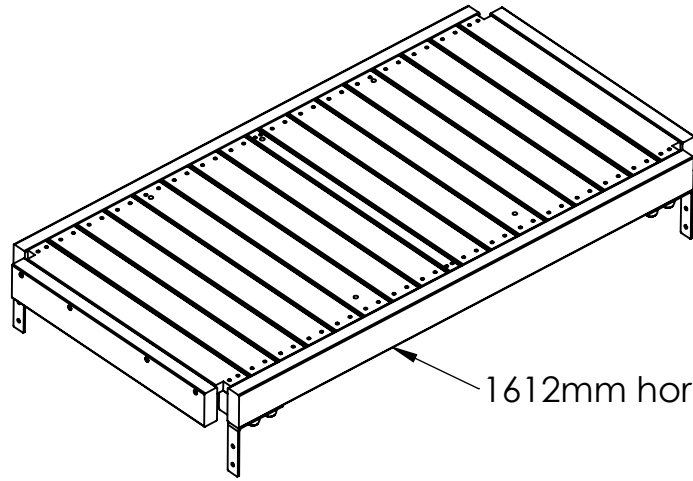
SCALE: 1:20

SHEET 8 OF 66



A

B



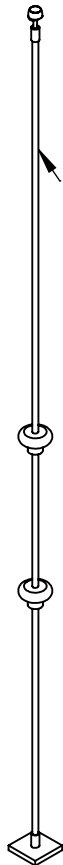
1612mm horizontal bridge

C

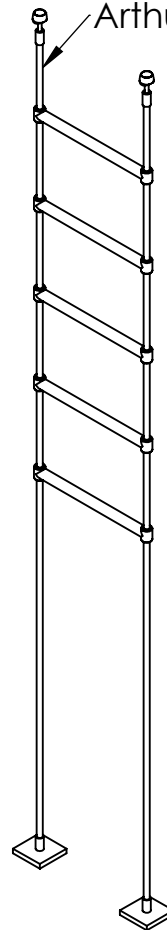
Arthur rope 2450mm



Arthur rope 2650mm



Arthur rope ladder



D

E

UNLESS OTHERWISE SPECIFIED:  
DIMENSIONS ARE IN MILLIMETERS  
WEIGHT ARE IN KILOGRAMM

PART NUMBER / DWG NO.:

LM232

|        | NAME   | SIGNATURE | DATE       | REVISION |
|--------|--------|-----------|------------|----------|
| DRAWN  | I.Agar |           | 30.03.2023 |          |
| APPV'D |        |           |            |          |

DESCRIPTION:

Play centre Arthur

F



Tiptiptap<sup>ÖÜ</sup>

MATERIAL:

wood, metal, plastic

A4

WEIGHT:

SCALE: 1:20

SHEET 9 OF 66

A

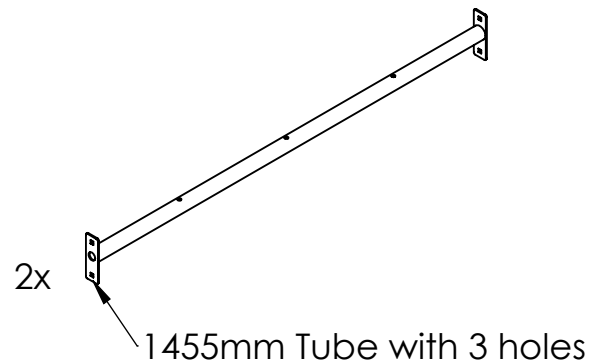
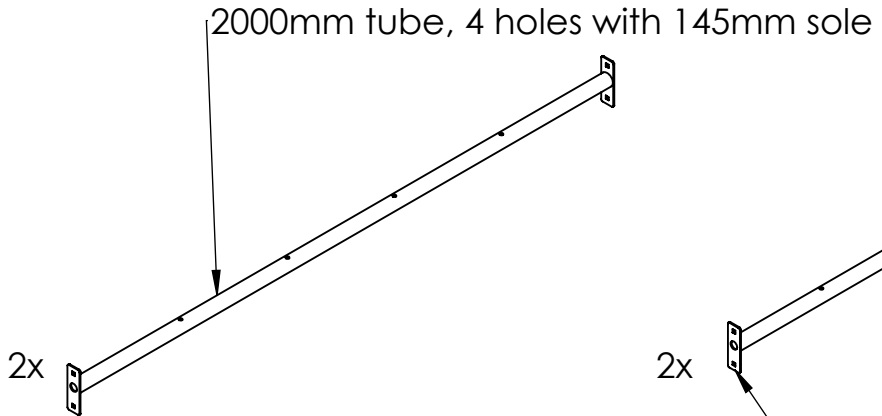
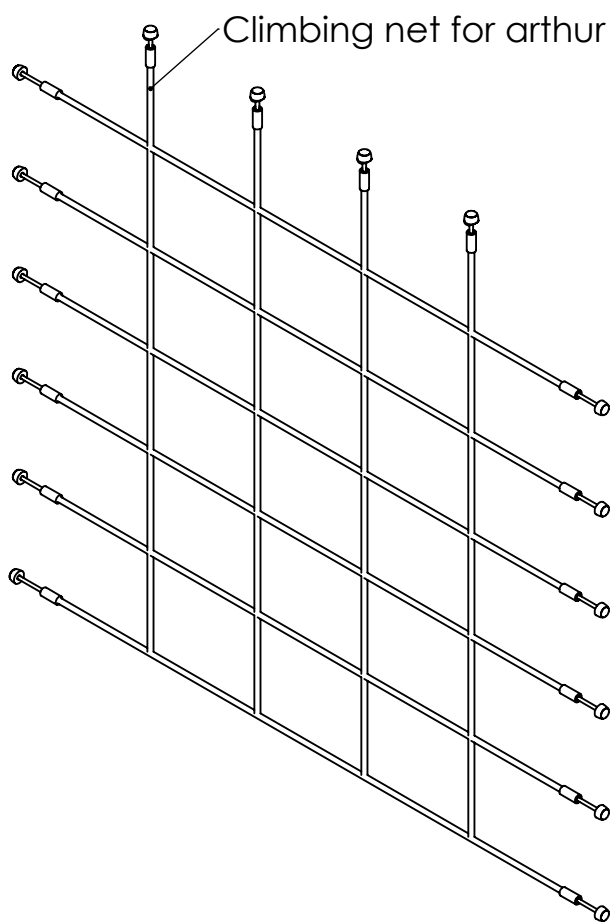
B

C

D

E

F



UNLESS OTHERWISE SPECIFIED:  
DIMENSIONS ARE IN MILLIMETERS  
WEIGHT ARE IN KILOGRAMM

|        | NAME   | SIGNATURE | DATE       | REVISION |
|--------|--------|-----------|------------|----------|
| DRAWN  | I.Agar |           | 30.03.2023 |          |
| APPV'D |        |           |            |          |

|                        |                    |
|------------------------|--------------------|
| PART NUMBER / DWG NO.: | LM232              |
| DESCRIPTION:           | Play centre Arthur |



|           |                      |                |
|-----------|----------------------|----------------|
| MATERIAL: | wood, metal, plastic | A4             |
| WEIGHT:   | SCALE: 1:20          | SHEET 10 OF 66 |

A

B

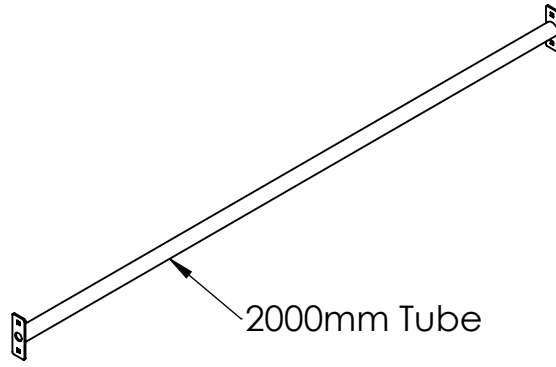
C

D

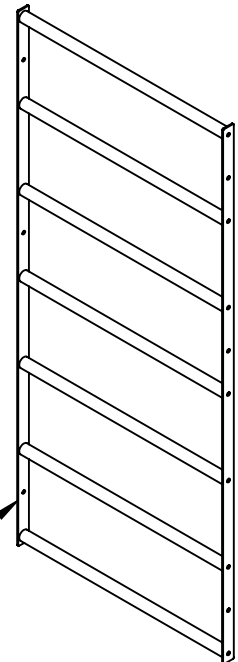
E

F

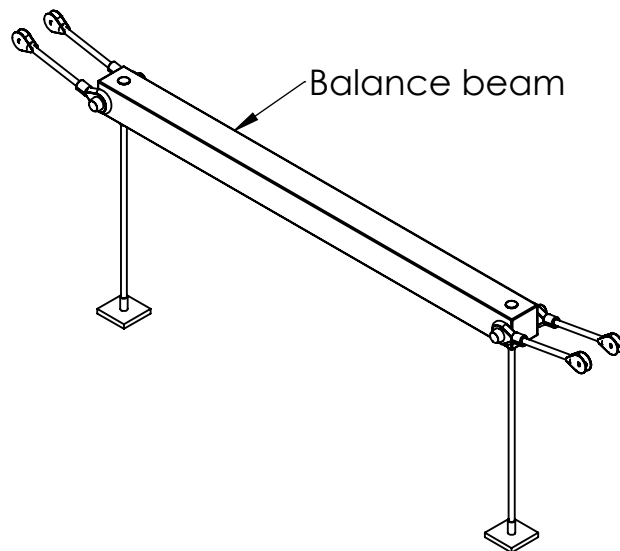
3x



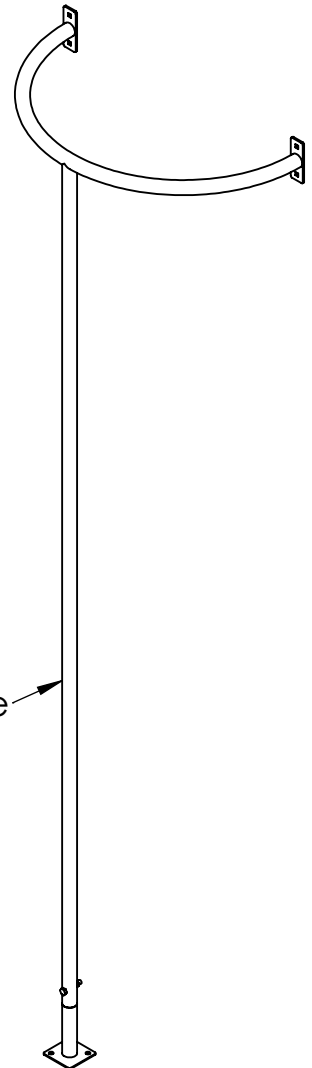
770x1732mm ladder, 7 tubes



Balance beam

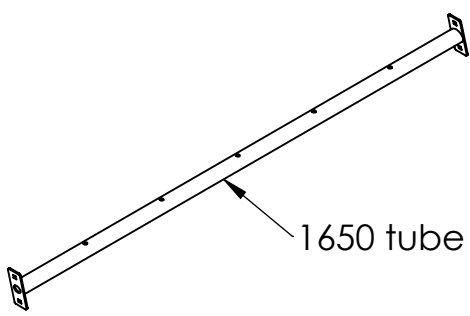


H-1550 climbing pole



1650 tube with 5 holes

2x



extension

UNLESS OTHERWISE SPECIFIED:  
 DIMENSIONS ARE IN MILLIMETERS  
 WEIGHT ARE IN KILOGRAMM

PART NUMBER / DWG NO.:  
**LM232**

|        | NAME   | SIGNATURE | DATE       | REVISION |
|--------|--------|-----------|------------|----------|
| DRAWN  | I.Agar |           | 30.03.2023 |          |
| APPV'D |        |           |            |          |

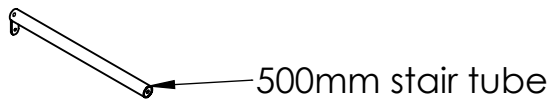
DESCRIPTION:  
**Play centre Arthur**



|           |                      |                |
|-----------|----------------------|----------------|
| MATERIAL: | wood, metal, plastic | A4             |
| WEIGHT:   | SCALE: 1:20          | SHEET 11 OF 66 |

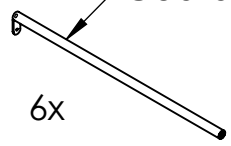
A

3x



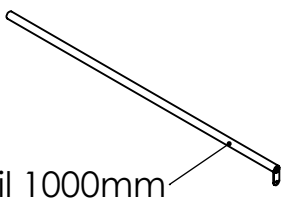
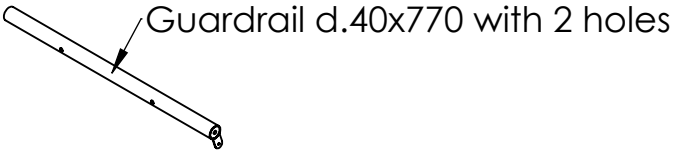
Guardrail D25x770

6x

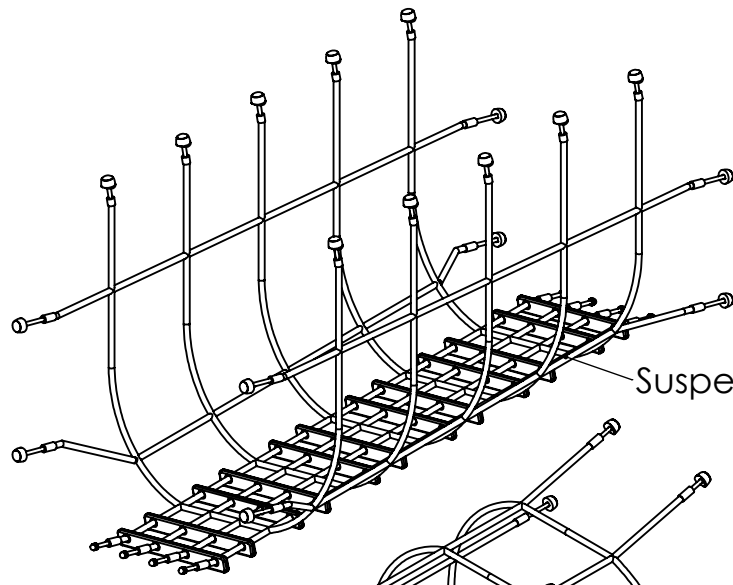


B

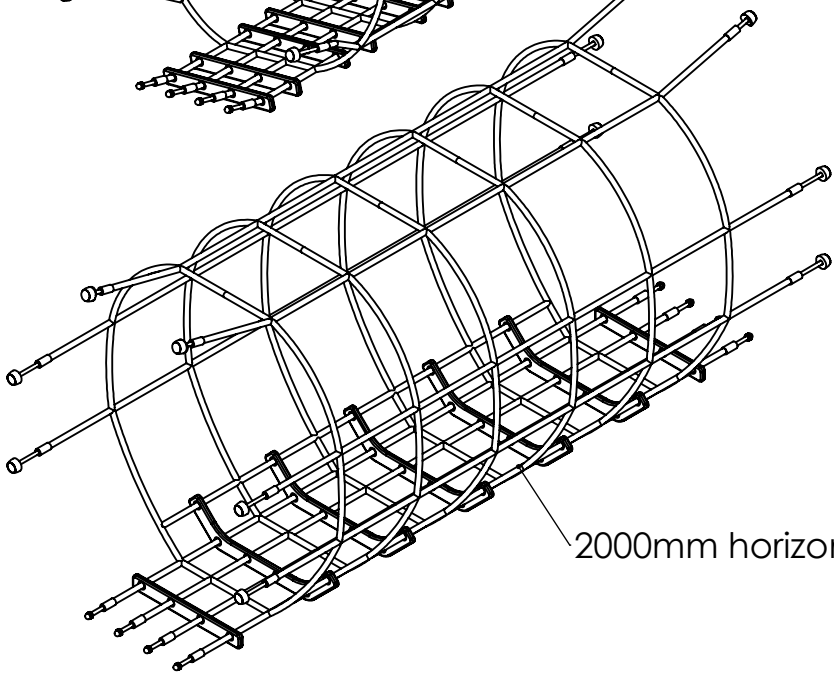
2x



C



D



E

F

UNLESS OTHERWISE SPECIFIED:  
 DIMENSIONS ARE IN MILLIMETERS  
 WEIGHT ARE IN KILOGRAMM

PART NUMBER / DWG NO.:  
**LM232**

|        | NAME   | SIGNATURE | DATE       | REVISION |
|--------|--------|-----------|------------|----------|
| DRAWN  | I.Agar |           | 30.03.2023 |          |
| APPV'D |        |           |            |          |

DESCRIPTION:  
**Play centre Arthur**

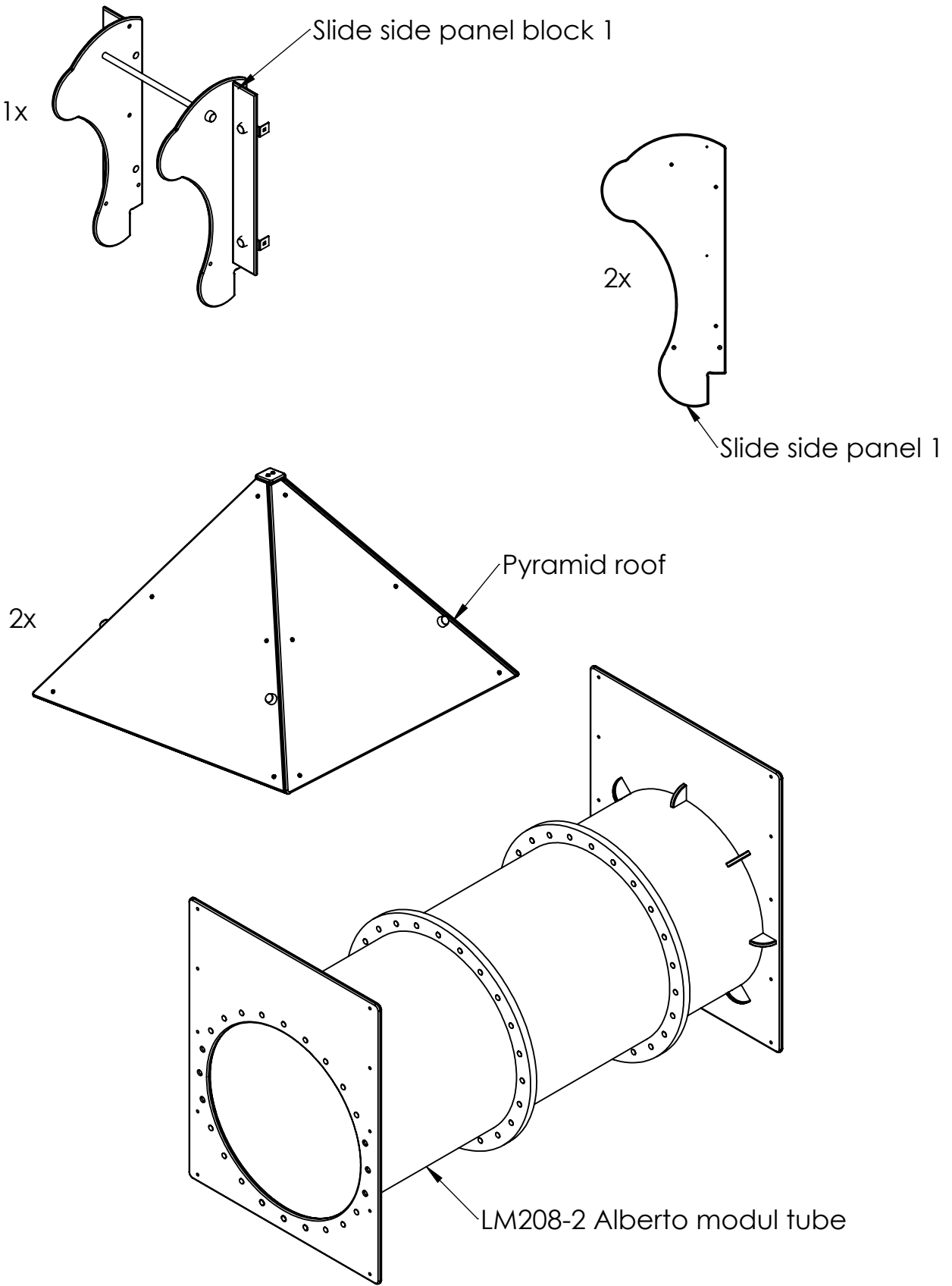


**Tiptiptap** OÜ

MATERIAL: wood, metal, plastic

A4

WEIGHT: SCALE: 1:20 SHEET 12 OF 66



UNLESS OTHERWISE SPECIFIED:  
 DIMENSIONS ARE IN MILLIMETERS  
 WEIGHT ARE IN KILOGRAMM

PART NUMBER / DWG NO.:  
**LM232**

|        | NAME   | SIGNATURE | DATE       | REVISION |
|--------|--------|-----------|------------|----------|
| DRAWN  | I.Agar |           | 30.03.2023 |          |
| APPV'D |        |           |            |          |

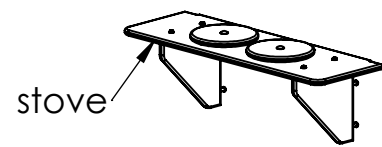
DESCRIPTION:  
**Play centre Arthur**



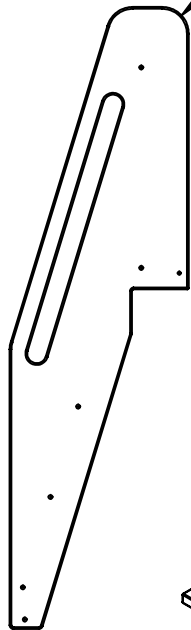
|           |                      |                |
|-----------|----------------------|----------------|
| MATERIAL: | wood, metal, plastic | A4             |
| WEIGHT:   | SCALE: 1:20          | SHEET 13 OF 66 |

A

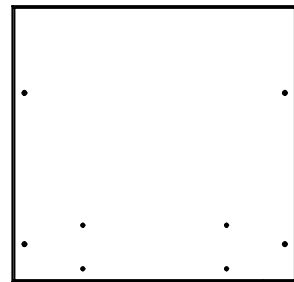
LM232 Stair side panel 2



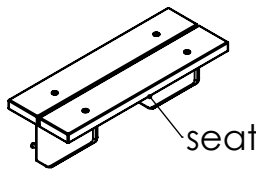
2x



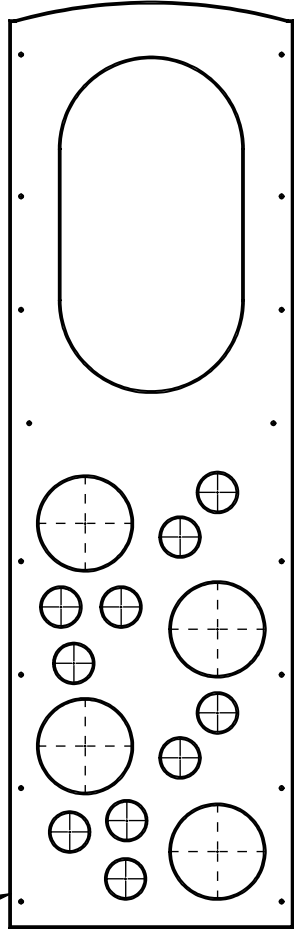
B



LM232 752x730 seat panel

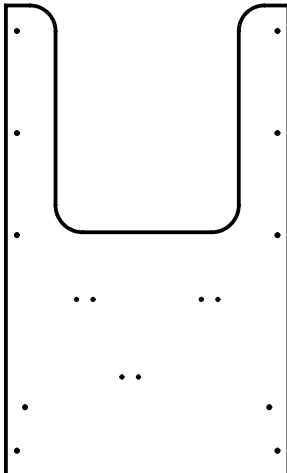


C



LM232 Big cheese wall

D



LM232 752x1250 panel with grips

E

F

|   |        |           |            |          |
|---|--------|-----------|------------|----------|
| UNLESS OTHERWISE SPECIFIED:<br>DIMENSIONS ARE IN MILLIMETERS<br>WEIGHT ARE IN KILOGRAMM |        |           |            |          |
|   | NAME   | SIGNATURE | DATE       | REVISION |
| DRAWN   | I.Agar |           | 30.03.2023 |          |
| APPV'D  |        |           |            |          |

|                        |                    |  |  |
|------------------------|--------------------|--|--|
| PART NUMBER / DWG NO.: | LM232              |  |  |
| DESCRIPTION:           | Play centre Arthur |  |  |



Tiptap OÜ

|           |                      |                |
|-----------|----------------------|----------------|
| MATERIAL: | wood, metal, plastic | A4             |
| WEIGHT:   | SCALE: 1:20          | SHEET 14 OF 66 |

A

LM232 climbing pole side panel 126x850mm

2x

3x

LM232 handle

LM232 panel between platforms

B

C

LM232 panel with window

LM232 Small cheese wall

D

LM232 Stair side panel 1

2x

2x

E

LM232 Slide side panel 1

F

|   |        |           |            |          |
|---|--------|-----------|------------|----------|
| UNLESS OTHERWISE SPECIFIED:<br>DIMENSIONS ARE IN MILLIMETERS<br>WEIGHT ARE IN KILOGRAMM |        |           |            |          |
|   | NAME   | SIGNATURE | DATE       | REVISION |
| DRAWN   | I.Agar |           | 30.03.2023 |          |
| APPV'D  |        |           |            |          |

|                        |                    |  |  |
|------------------------|--------------------|--|--|
| PART NUMBER / DWG NO.: | LM232              |  |  |
| DESCRIPTION:           | Play centre Arthur |  |  |



|           |                      |                |
|-----------|----------------------|----------------|
| MATERIAL: | wood, metal, plastic | A4             |
| WEIGHT:   | SCALE: 1:20          | SHEET 15 OF 66 |

A

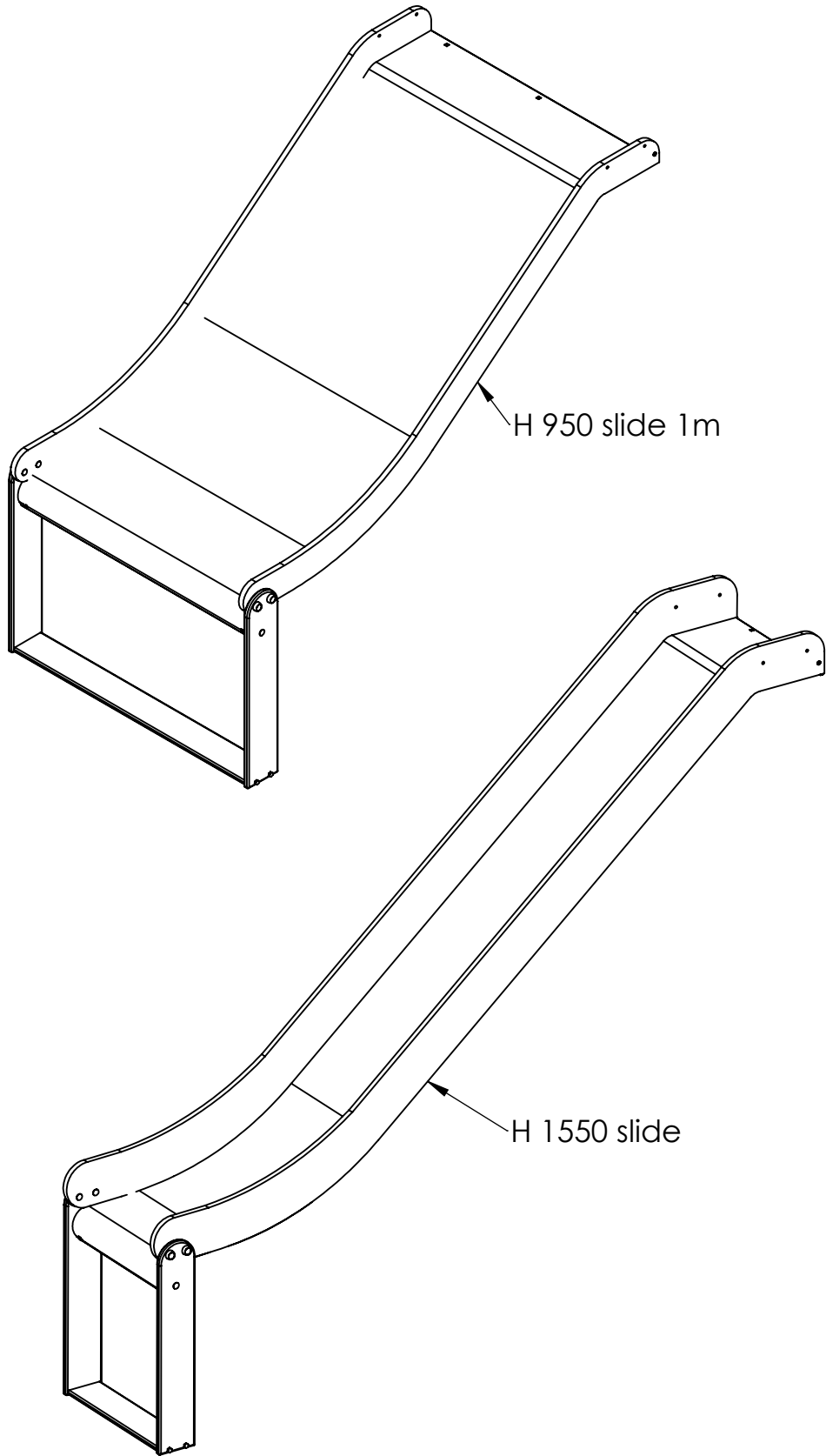
B

C

D

E

F



UNLESS OTHERWISE SPECIFIED:  
 DIMENSIONS ARE IN MILLIMETERS  
 WEIGHT ARE IN KILOGRAMM

PART NUMBER / DWG NO.:

LM232

|        | NAME   | SIGNATURE | DATE       | REVISION |
|--------|--------|-----------|------------|----------|
| DRAWN  | I.Agar |           | 30.03.2023 |          |
| APPV'D |        |           |            |          |

DESCRIPTION:

Play centre Arthur

MATERIAL:

wood, metal, plastic

A4

WEIGHT:

SCALE: 1:20

SHEET 16 OF 66

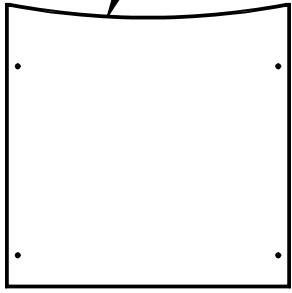


**Tiptiptap** <sup>OO</sup>



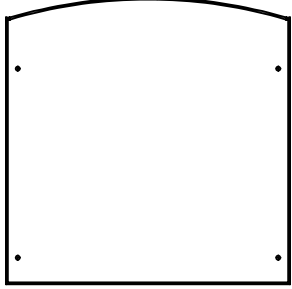
A

Playground downward curve panel, lower hole 85mm



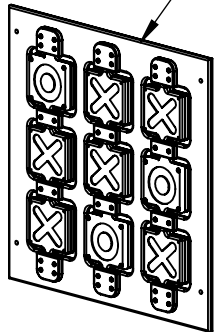
B

Playground upward curved panel, lower hole 70mm



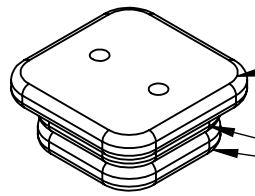
C

tic-tac-toe



D

5x



Climbing grip square(big)

Climbing grip square(small)

E

|   |        |           |            |          |
|---|--------|-----------|------------|----------|
| UNLESS OTHERWISE SPECIFIED:<br>DIMENSIONS ARE IN MILLIMETERS<br>WEIGHT ARE IN KILOGRAMM |        |           |            |          |
|   | NAME   | SIGNATURE | DATE       | REVISION |
| DRAWN   | I.Agar |           | 30.03.2023 |          |
| APPV'D  |        |           |            |          |

|                        |                    |
|------------------------|--------------------|
| PART NUMBER / DWG NO.: | LM232              |
| DESCRIPTION:           | Play centre Arthur |

F



|           |                      |                |
|-----------|----------------------|----------------|
| MATERIAL: | wood, metal, plastic | A4             |
| WEIGHT:   | SCALE: 1:20          | SHEET 17 OF 66 |

# Wood profile post gap and groundfixing assembly

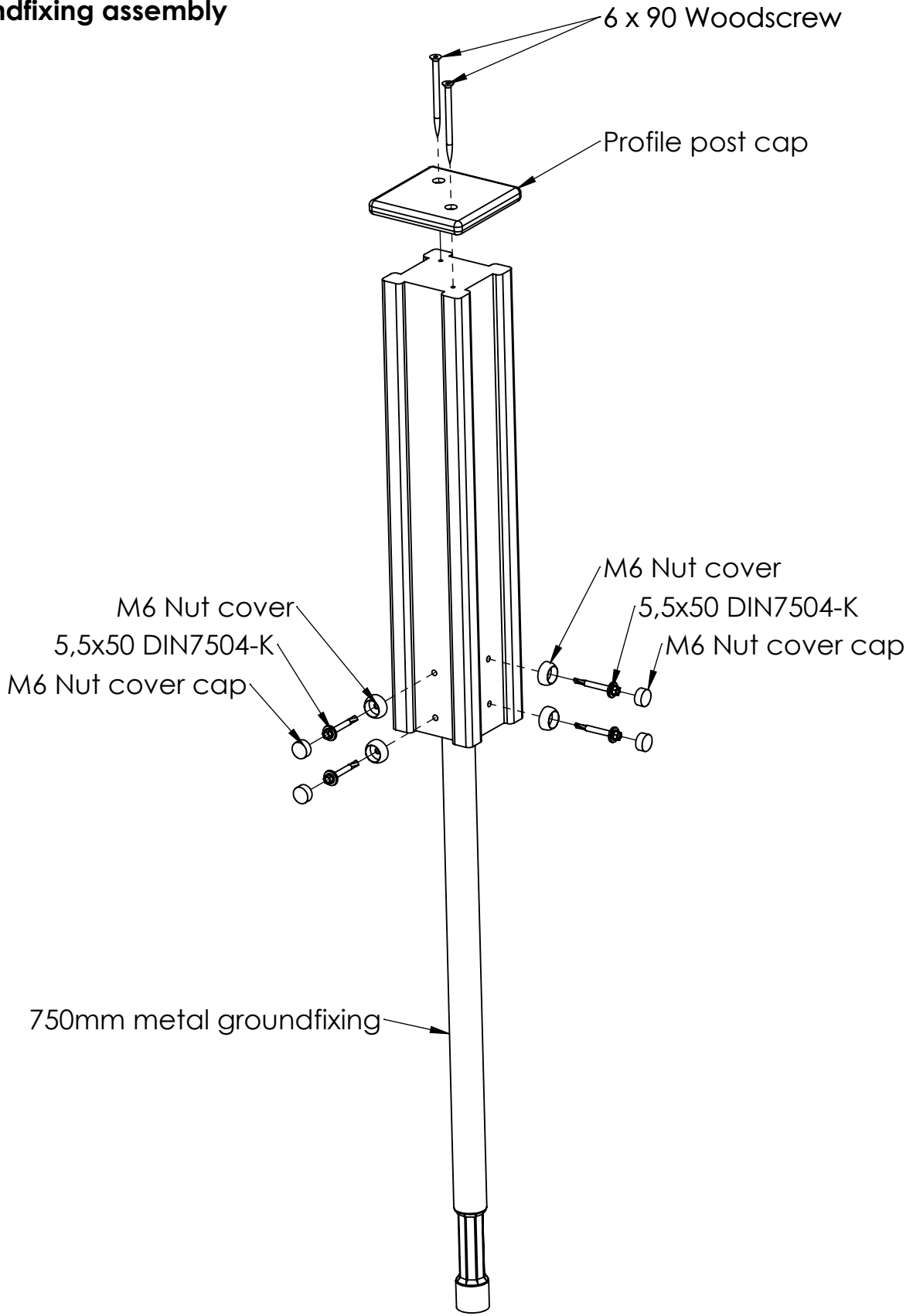
A

B

C

D

E



UNLESS OTHERWISE SPECIFIED:  
 DIMENSIONS ARE IN MILLIMETERS  
 WEIGHT ARE IN KILOGRAMM

PART NUMBER / DWG NO.:

LM232

|        | NAME   | SIGNATURE | DATE       | REVISION |
|--------|--------|-----------|------------|----------|
| DRAWN  | I.Agar |           | 30.03.2023 |          |
| APPV'D |        |           |            |          |

DESCRIPTION:

Play centre Arthur

F



# Tiptiptap<sup>00</sup>

MATERIAL:

wood, metal, plastic

A4

WEIGHT:

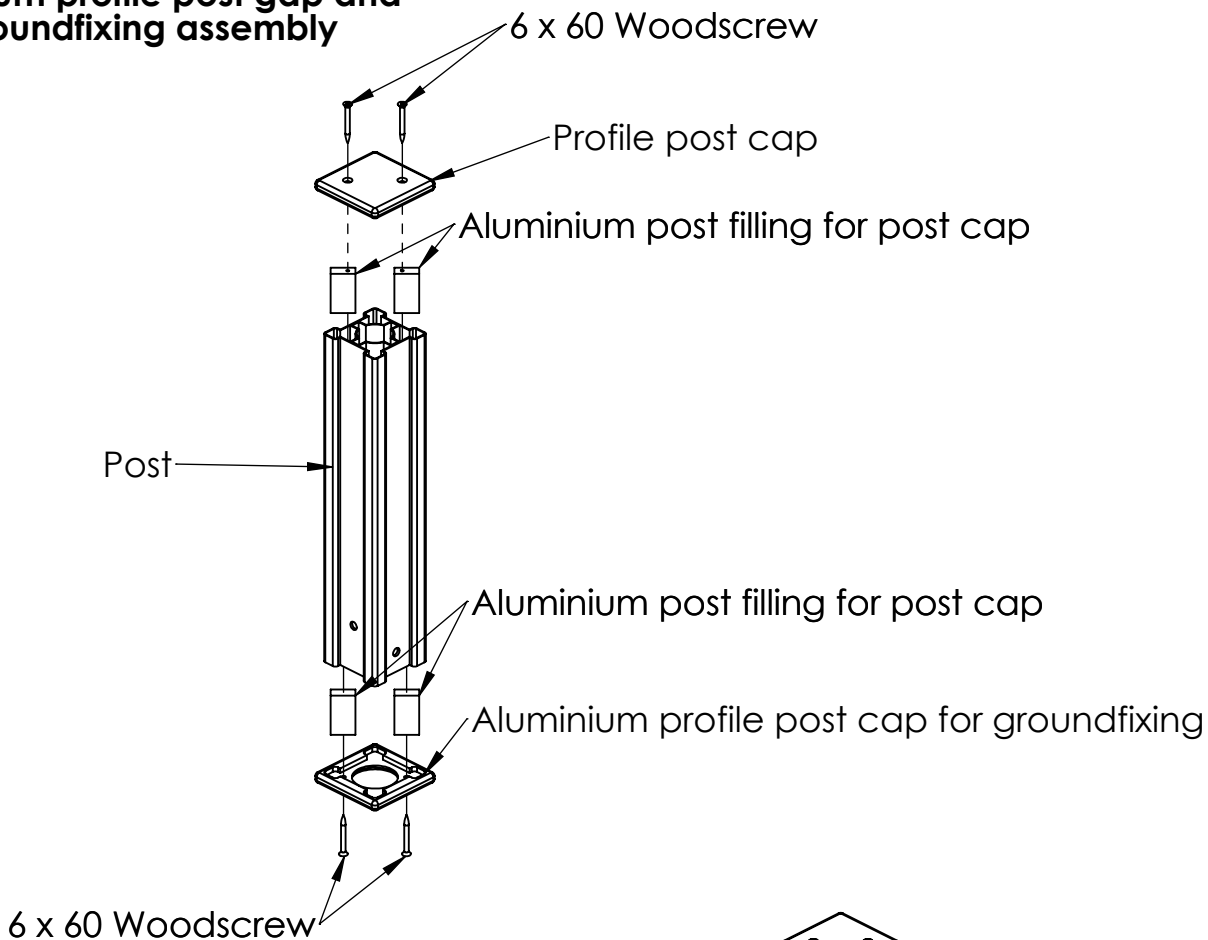
SCALE: 1:6

SHEET 18 OF 66

# Aluminium profile post gap and tube groundfixing assembly

A

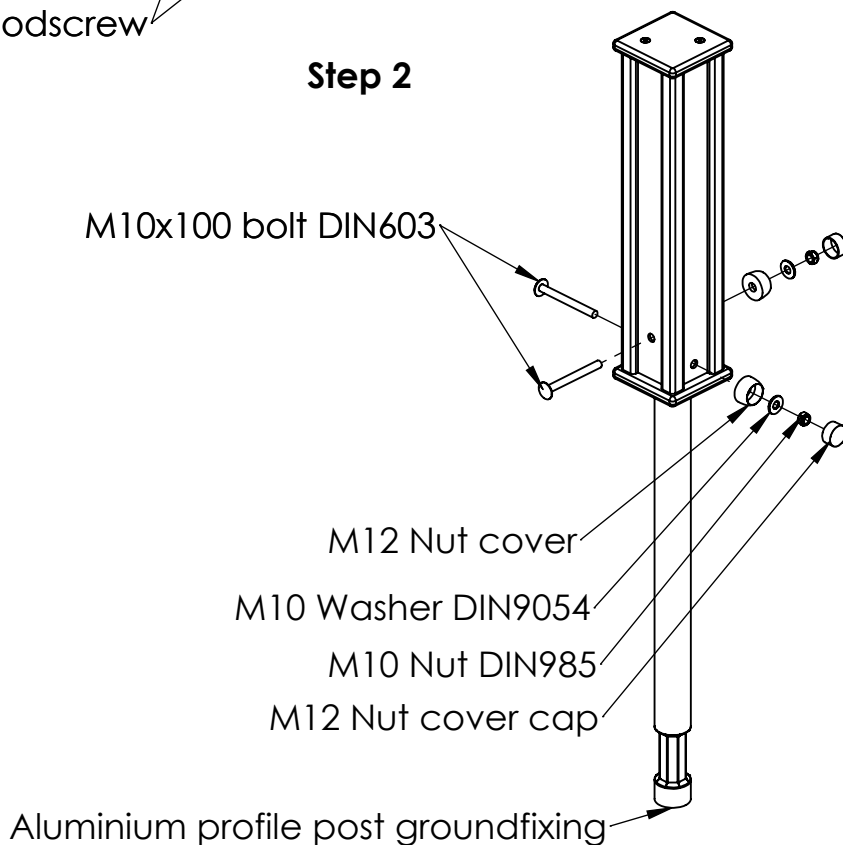
## Step 1



B

C

## Step 2



D

E

F

UNLESS OTHERWISE SPECIFIED:  
 DIMENSIONS ARE IN MILLIMETERS  
 WEIGHT ARE IN KILOGRAMM

PART NUMBER / DWG NO.:

LM232

|        | NAME   | SIGNATURE | DATE       | REVISION |
|--------|--------|-----------|------------|----------|
| DRAWN  | I.Agar |           | 30.03.2023 |          |
| APPV'D |        |           |            |          |

DESCRIPTION:

Play centre Arthur

MATERIAL:

wood, metal, plastic

A4

WEIGHT:

SCALE: 1:10

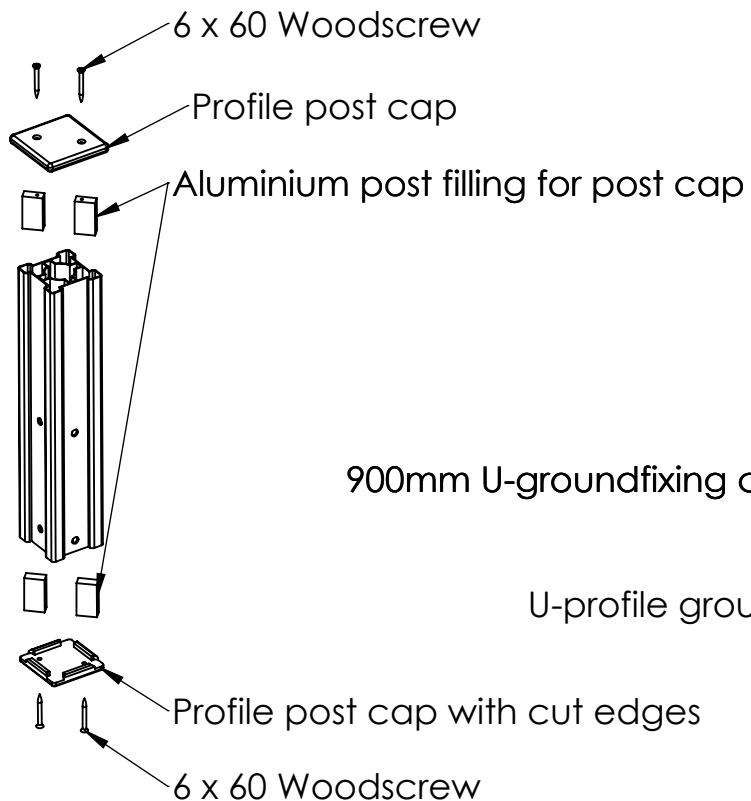
SHEET 19 OF 66



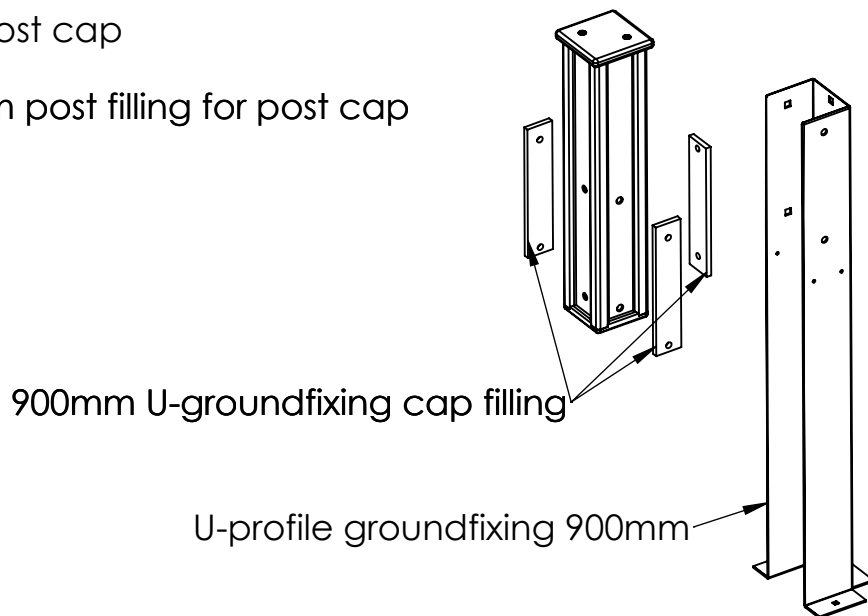
**Tiptiptap** <sup>00</sup>

# Aluminium profile post cap and 900mm U-profile groundfixing assembly

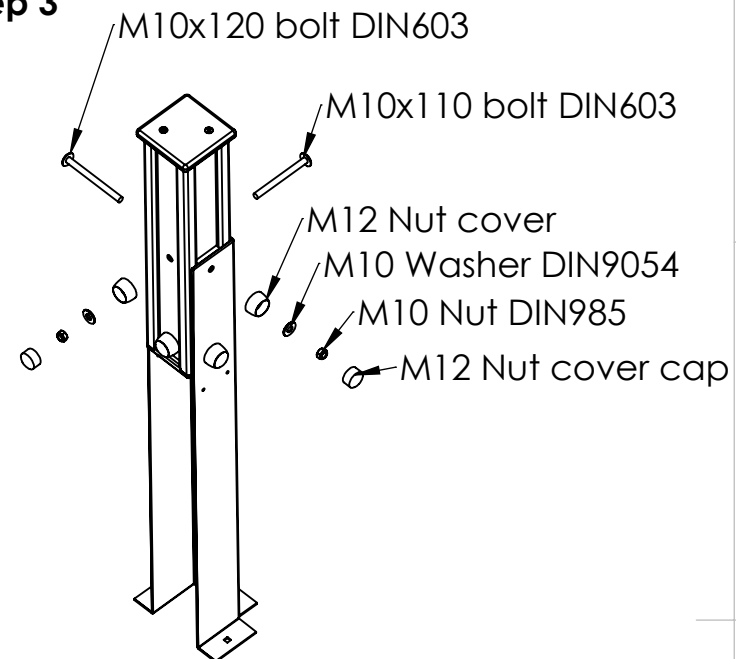
## Step 1



## Step 2



## Step 3



UNLESS OTHERWISE SPECIFIED:  
DIMENSIONS ARE IN MILLIMETERS  
WEIGHT ARE IN KILOGRAMM

|        | NAME   | SIGNATURE | DATE       | REVISION |
|--------|--------|-----------|------------|----------|
| DRAWN  | I.Agar |           | 30.03.2023 |          |
| APPV'D |        |           |            |          |



Tiptap<sup>OO</sup>

PART NUMBER / DWG NO.:

LM232

DESCRIPTION:

Play centre Arthur

MATERIAL:

wood, metal, plastic

A4

WEIGHT:

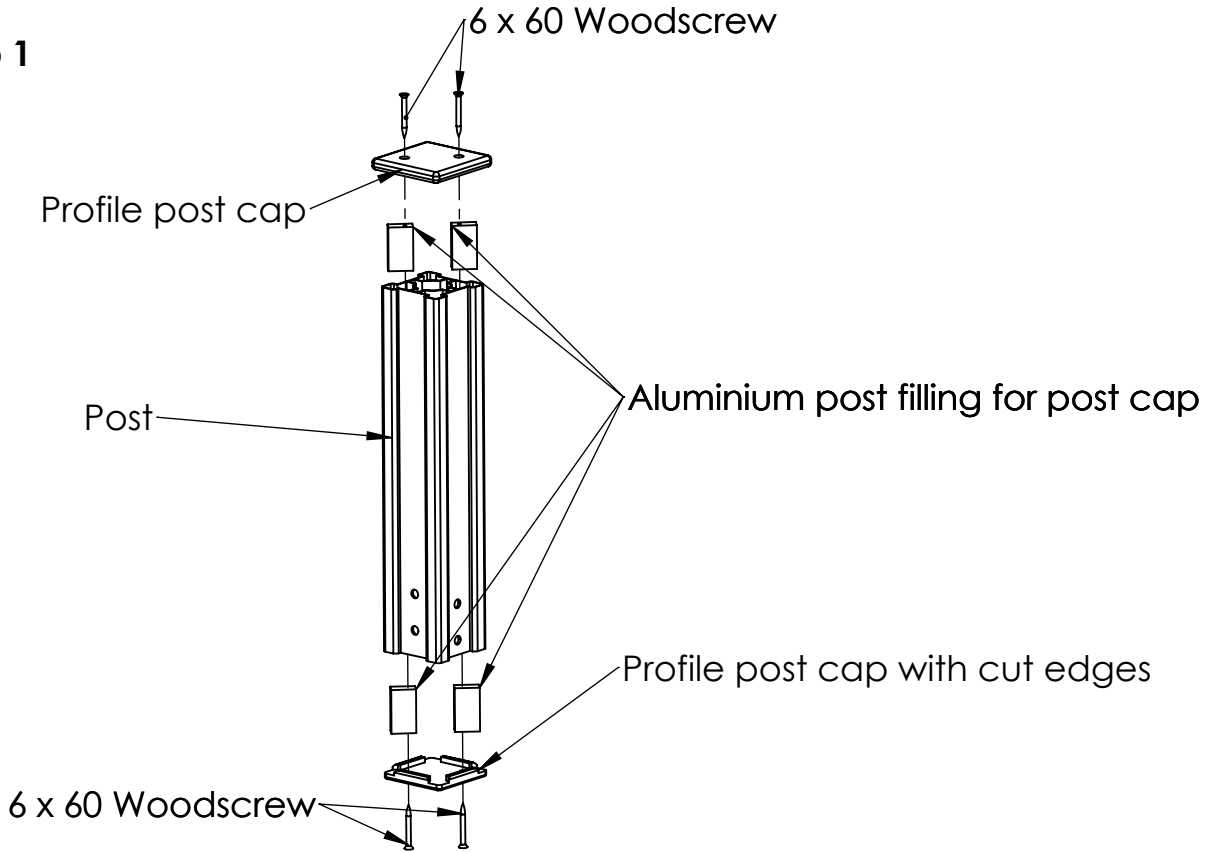
SCALE: 1:12

SHEET 20 OF 66

# Aluminium profile post cap and 750mm U-profile groundfixing assembly

A

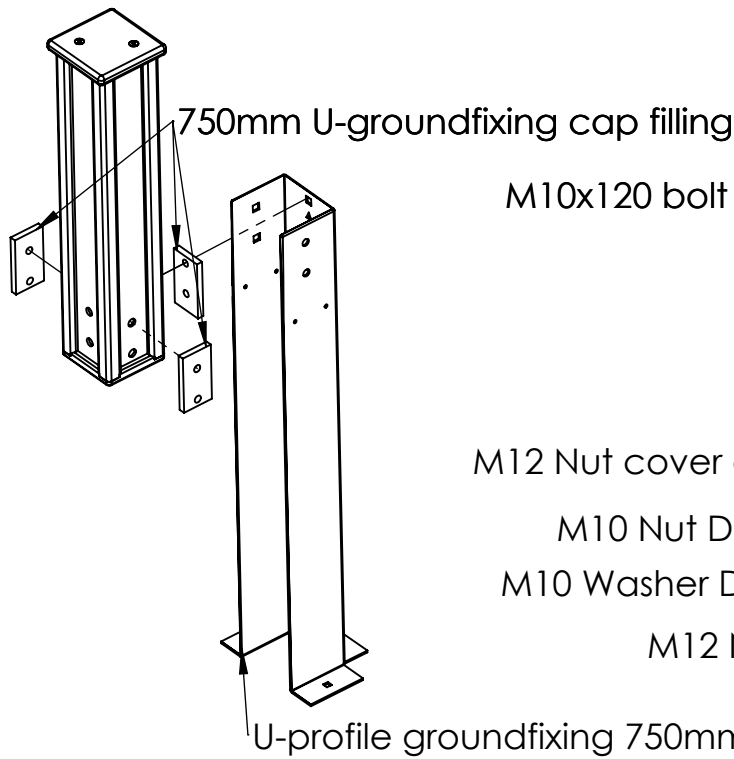
## Step 1



B

C

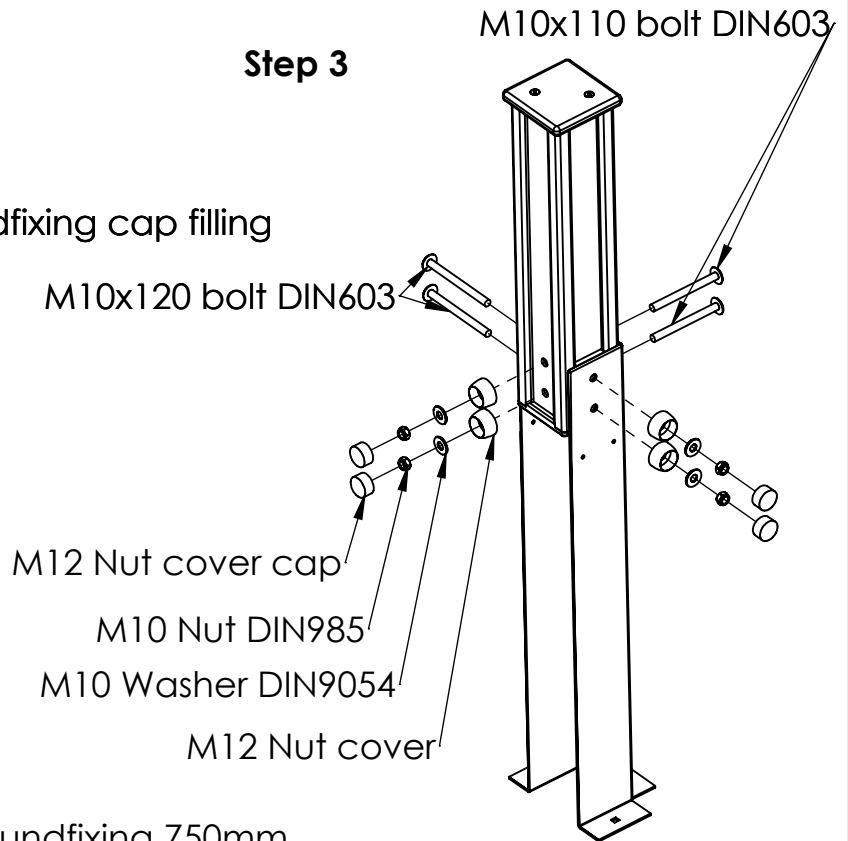
## Step 2



D

E

## Step 3



F

UNLESS OTHERWISE SPECIFIED:  
DIMENSIONS ARE IN MILLIMETERS  
WEIGHT ARE IN KILOGRAMM

PART NUMBER / DWG NO.:

LM232

|        | NAME   | SIGNATURE | DATE       | REVISION |
|--------|--------|-----------|------------|----------|
| DRAWN  | I.Agar |           | 30.03.2023 |          |
| APPV'D |        |           |            |          |

DESCRIPTION:

Play centre Arthur



Tiptap OÜ

MATERIAL:

wood, metal, plastic

A4

WEIGHT:

SCALE: 1:10

SHEET 21 OF 66

# Platform to post assembly

A

B

C

D

E

F

M10x100 bolt DIN603

6 x 90 Woodscrew

M12 Nut cover cap

M10 Nut DIN985

M10 Washer DIN9054

M12 Nut cover

M10x60 bolt DIN603

M10 domed cap nut DIN986

UNLESS OTHERWISE SPECIFIED:  
DIMENSIONS ARE IN MILLIMETERS  
WEIGHT ARE IN KILOGRAMM

PART NUMBER / DWG NO.:

LM232

|        | NAME   | SIGNATURE | DATE       | REVISION |
|--------|--------|-----------|------------|----------|
| DRAWN  | I.Agar |           | 30.03.2023 |          |
| APPV'D |        |           |            |          |

DESCRIPTION:

Play centre Arthur

MATERIAL:

wood, metal, plastic

A4

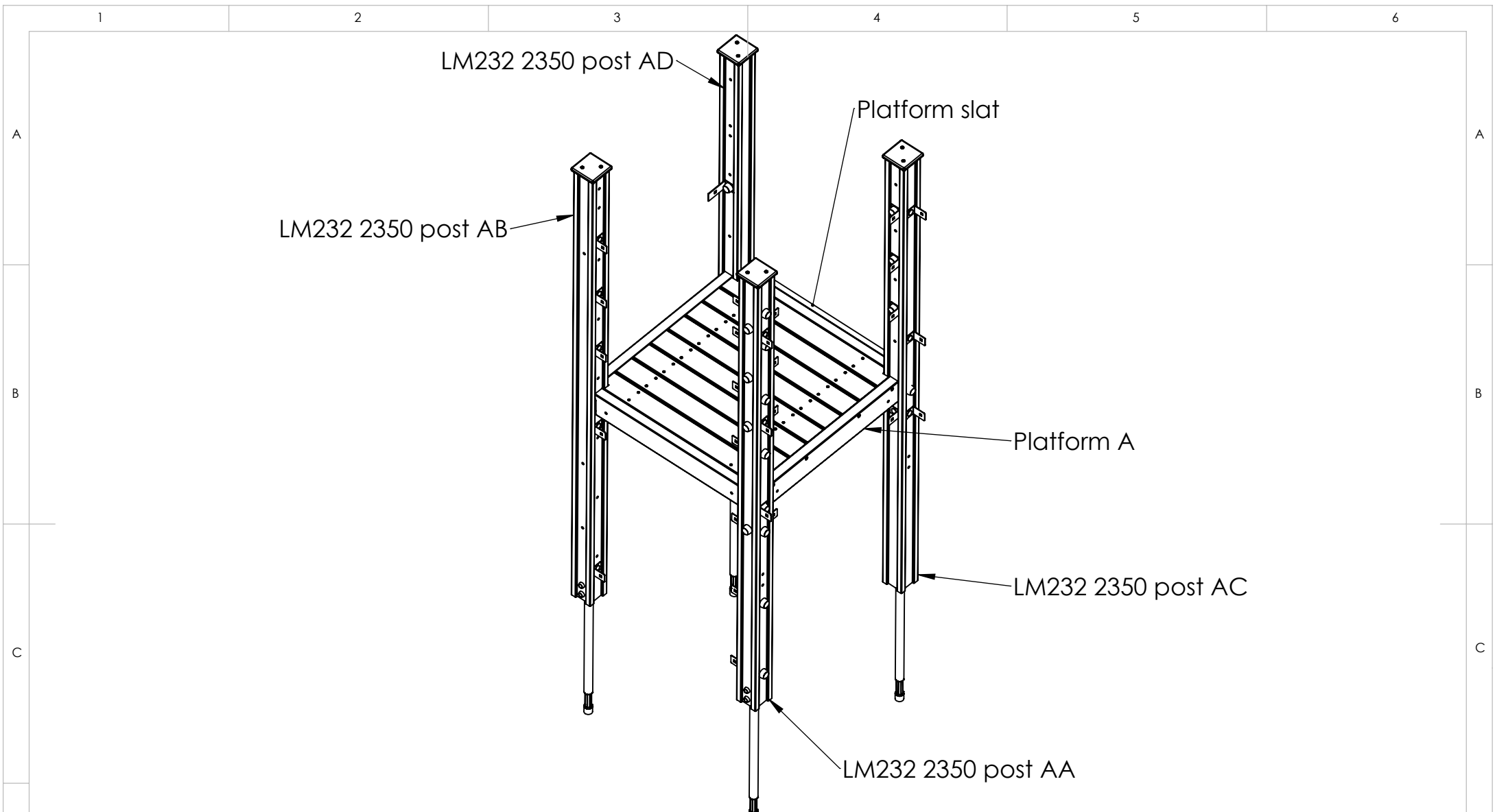
WEIGHT:


SCALE: 1:50

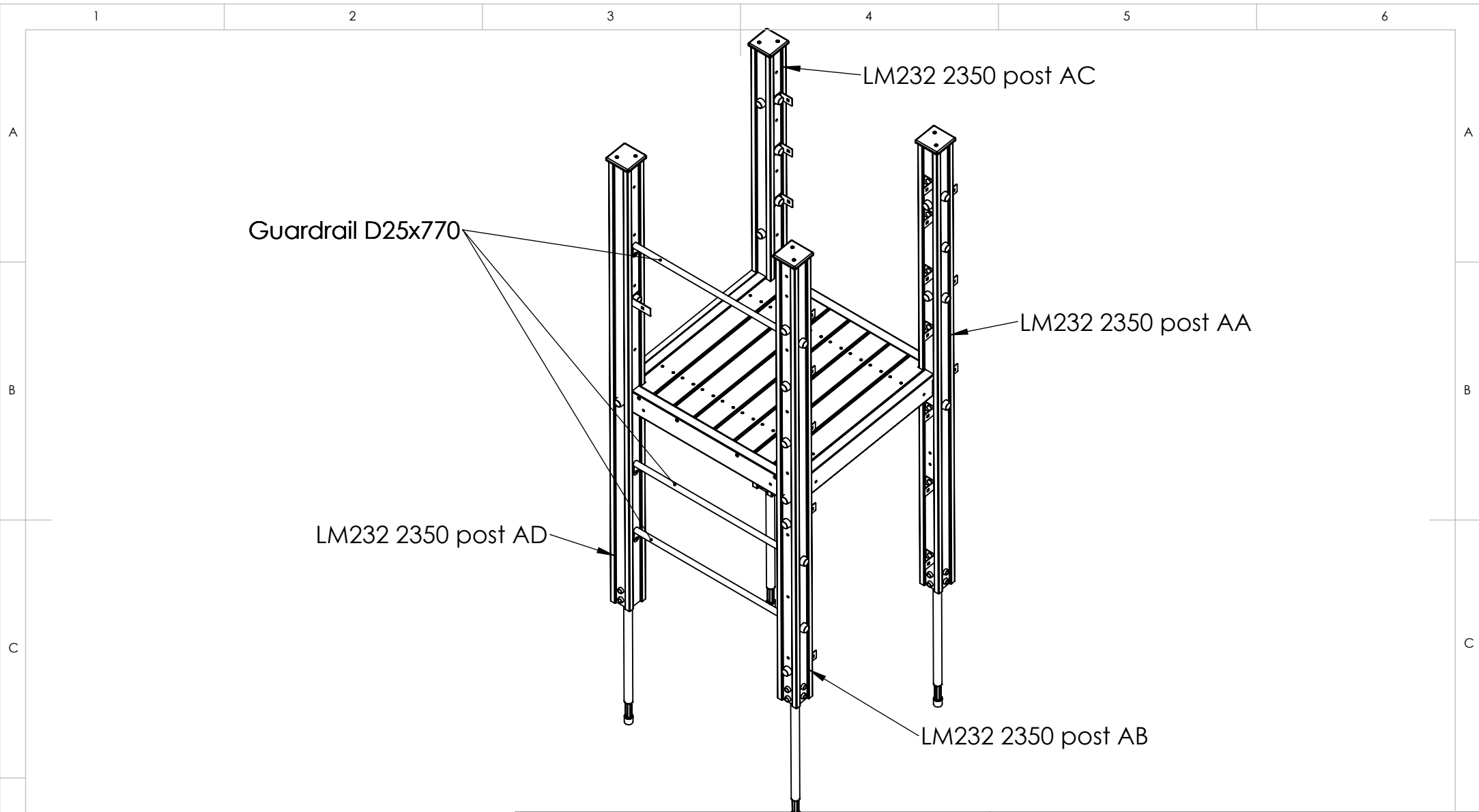
SHEET 22 OF 66



Tiptiptap <sup>OO</sup>



|   |        |           |            |          |   |  |             |
|---|--------|-----------|------------|----------|---|--|-------------|
| UNLESS OTHERWISE SPECIFIED:<br>DIMENSIONS ARE IN MILLIMETERS<br>WEIGHT ARE IN KILOGRAMM                         |        |           |            |          | PART NUMBER / DWG NO.:<br><b>LM232</b>    |  |             |
|   | NAME   | SIGNATURE | DATE       | REVISION | DESCRIPTION:<br><b>Play centre Arthur</b> |  |             |
| DRAWN   | I.Agar |           | 30.03.2023 |          |   |  |             |
| APPV'D  |        |           |            |          |   |  |             |
|  <b>Tiptap</b> <sup>OU</sup> |        |           |            |          | MATERIAL:<br>wood, metal, plastic         |  | A4          |
|   |        |           |            |          | WEIGHT:                                   |  | SCALE: 1:20 |



UNLESS OTHERWISE SPECIFIED:  
 DIMENSIONS ARE IN MILLIMETERS  
 WEIGHT ARE IN KILOGRAMM

PART NUMBER / DWG NO.:  
**LM232**

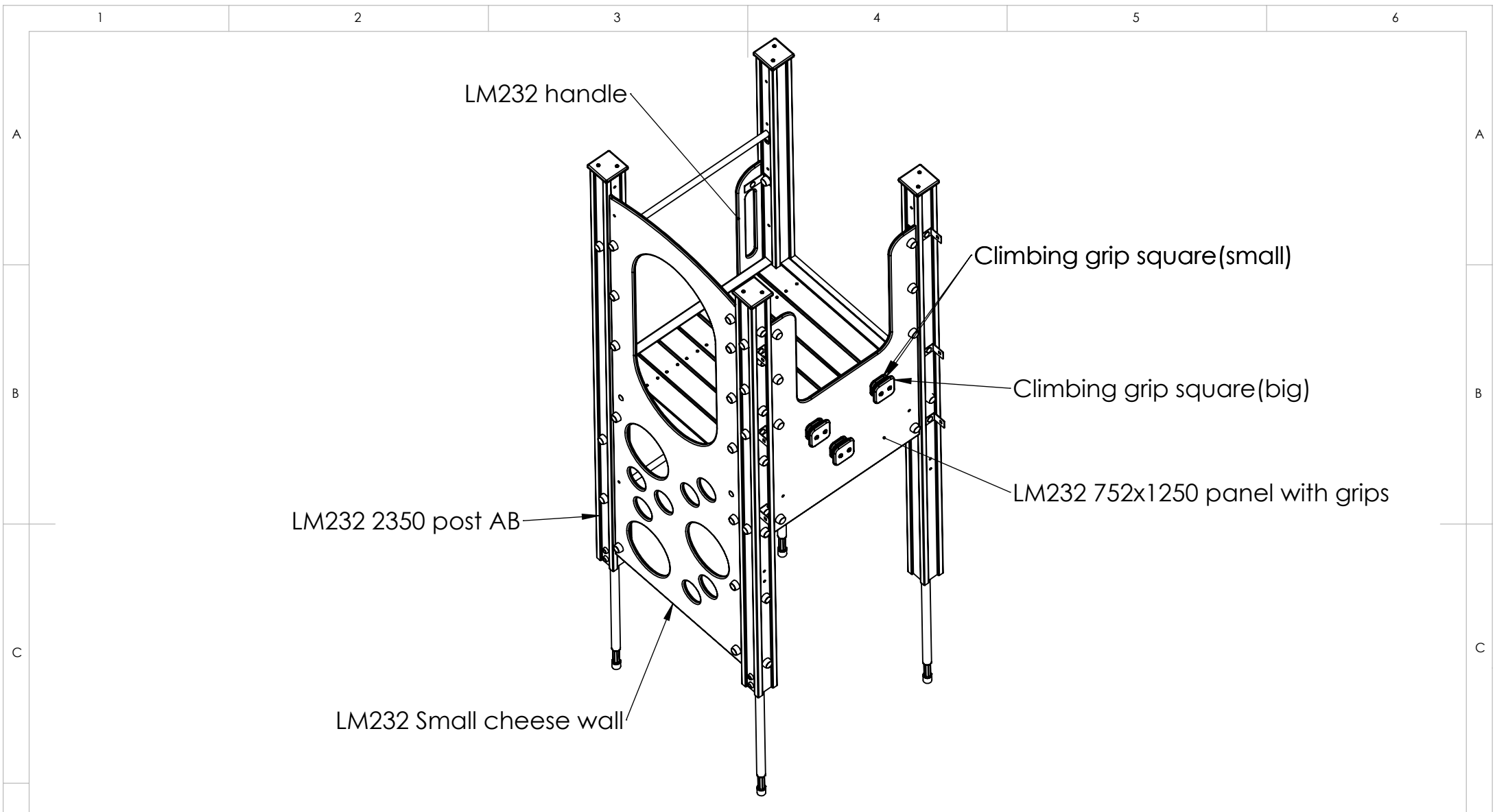
|        | NAME   | SIGNATURE | DATE       | REVISION |
|--------|--------|-----------|------------|----------|
| DRAWN  | I.Agar |           | 30.03.2023 |          |
| APPV'D |        |           |            |          |


DESCRIPTION:  
**Play centre Arthur**



|           |                      |                |
|-----------|----------------------|----------------|
| MATERIAL: | wood, metal, plastic | A4             |
| WEIGHT:   |                      | SCALE: 1:20    |
|           |                      | SHEET 24 OF 66 |





|   |        |           |            |          |   |  |             |
|---|--------|-----------|------------|----------|---|--|-------------|
| UNLESS OTHERWISE SPECIFIED:<br>DIMENSIONS ARE IN MILLIMETERS<br>WEIGHT ARE IN KILOGRAMM                         |        |           |            |          | PART NUMBER / DWG NO.:<br><b>LM232</b>    |  |             |
|   | NAME   | SIGNATURE | DATE       | REVISION | DESCRIPTION:<br><b>Play centre Arthur</b> |  |             |
| DRAWN   | I.Agar |           | 30.03.2023 |          |   |  |             |
| APPV'D  |        |           |            |          |   |  |             |
|  <b>Tiptap</b> <sup>OU</sup> |        |           |            |          | MATERIAL:<br>wood, metal, plastic         |  | A4          |
|   |        |           |            |          | WEIGHT:                                   |  | SCALE: 1:20 |

# Guardrail installation to aluminium post

A

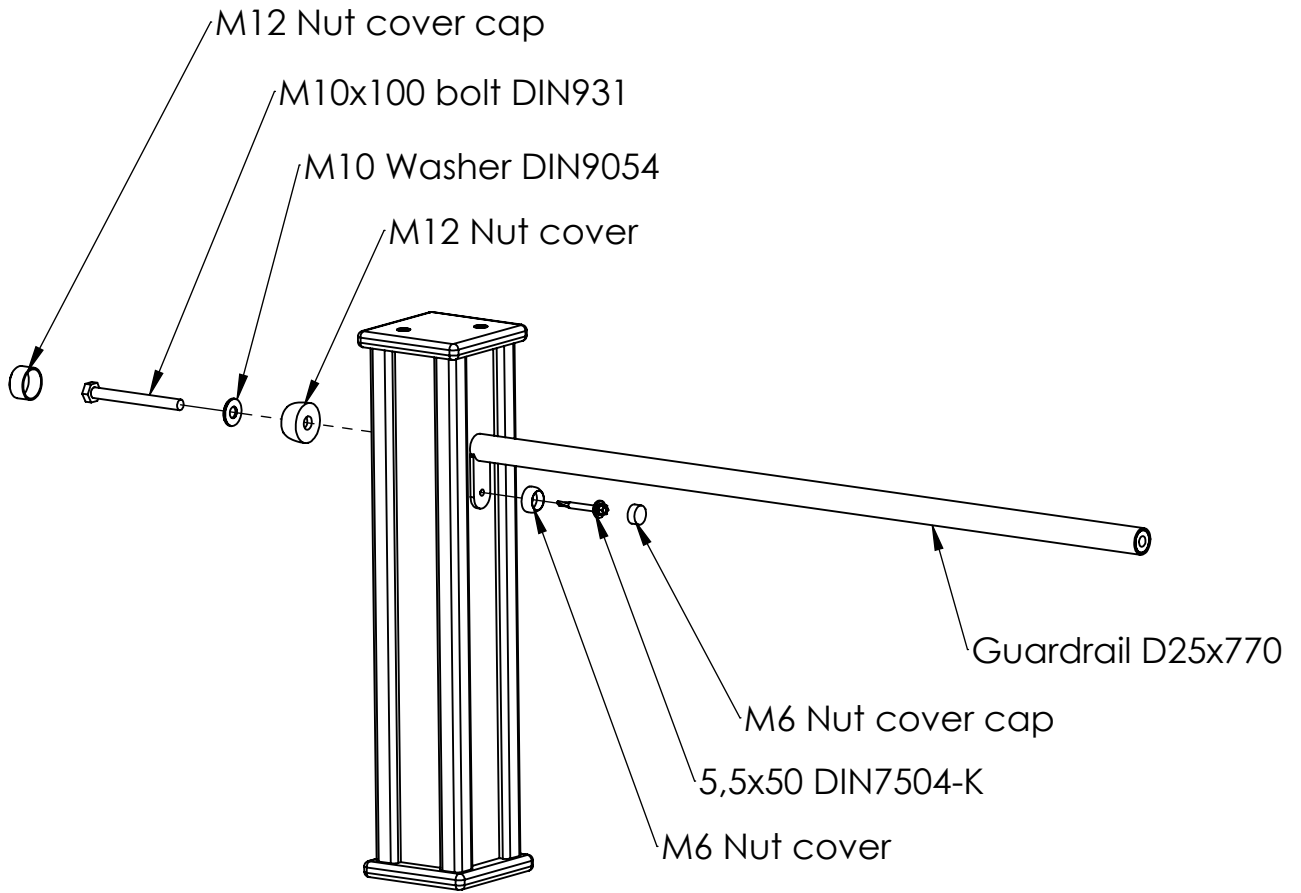
B

C

D

E

F



UNLESS OTHERWISE SPECIFIED:  
 DIMENSIONS ARE IN MILLIMETERS  
 WEIGHT ARE IN KILOGRAMM

PART NUMBER / DWG NO.:

LM232

|        | NAME   | SIGNATURE | DATE       | REVISION |
|--------|--------|-----------|------------|----------|
| DRAWN  | I.Agar |           | 30.03.2023 |          |
| APPV'D |        |           |            |          |

DESCRIPTION:

Play centre Arthur

MATERIAL:

wood, metal, plastic

A4

WEIGHT:

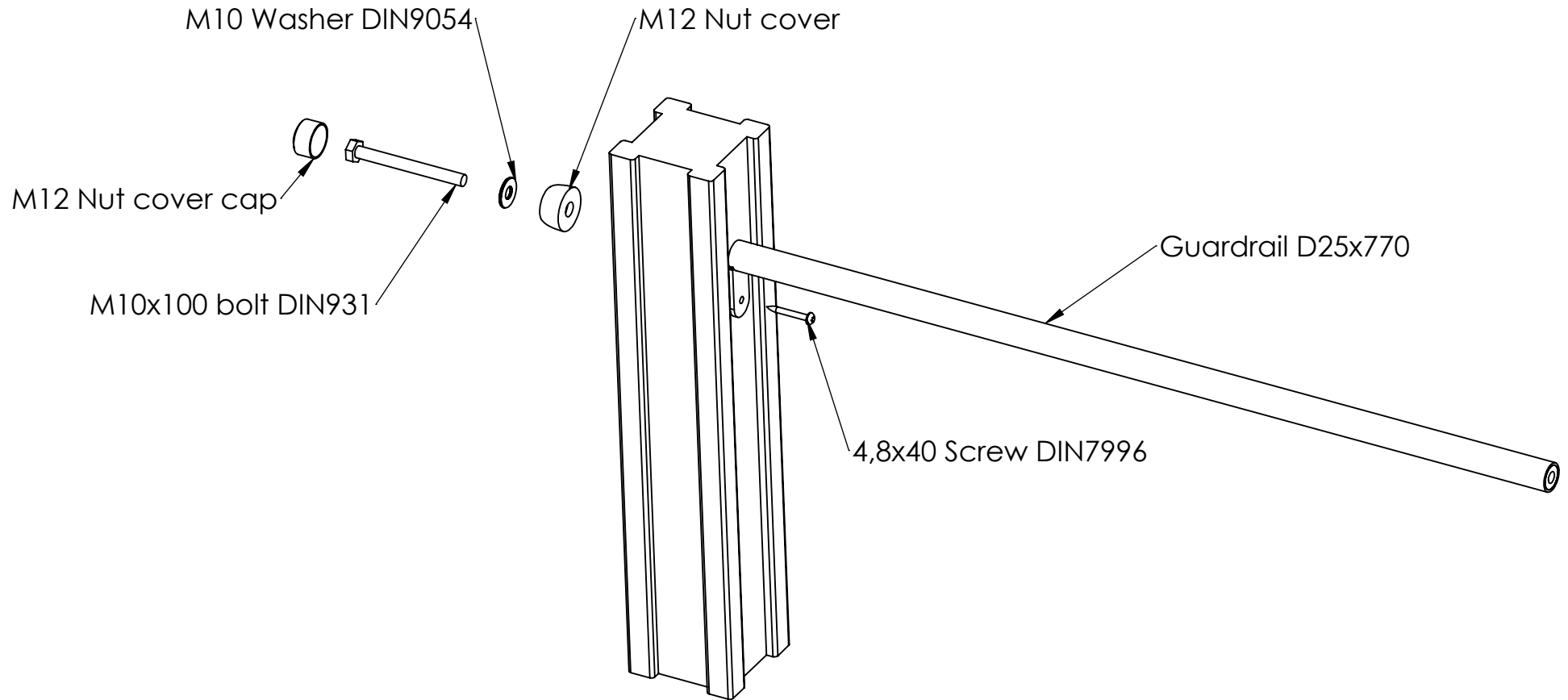
SCALE: 1:7

SHEET 26 OF 66



**Tiptiptap** <sup>OO</sup>

# Guardrail to wood post assembly



UNLESS OTHERWISE SPECIFIED:  
DIMENSIONS ARE IN MILLIMETERS  
WEIGHT ARE IN KILOGRAMM

PART NUMBER / DWG NO.:  
**LM232**

|        | NAME   | SIGNATURE | DATE       | REVISION |
|--------|--------|-----------|------------|----------|
| DRAWN  | I.Agar |           | 30.03.2023 |          |
| APPV'D |        |           |            |          |

DESCRIPTION:  
**Play centre Arthur**



MATERIAL: wood, metal, plastic A4

WEIGHT: SCALE: 1:5 SHEET 27 OF 66

# Panel to post assembly

A

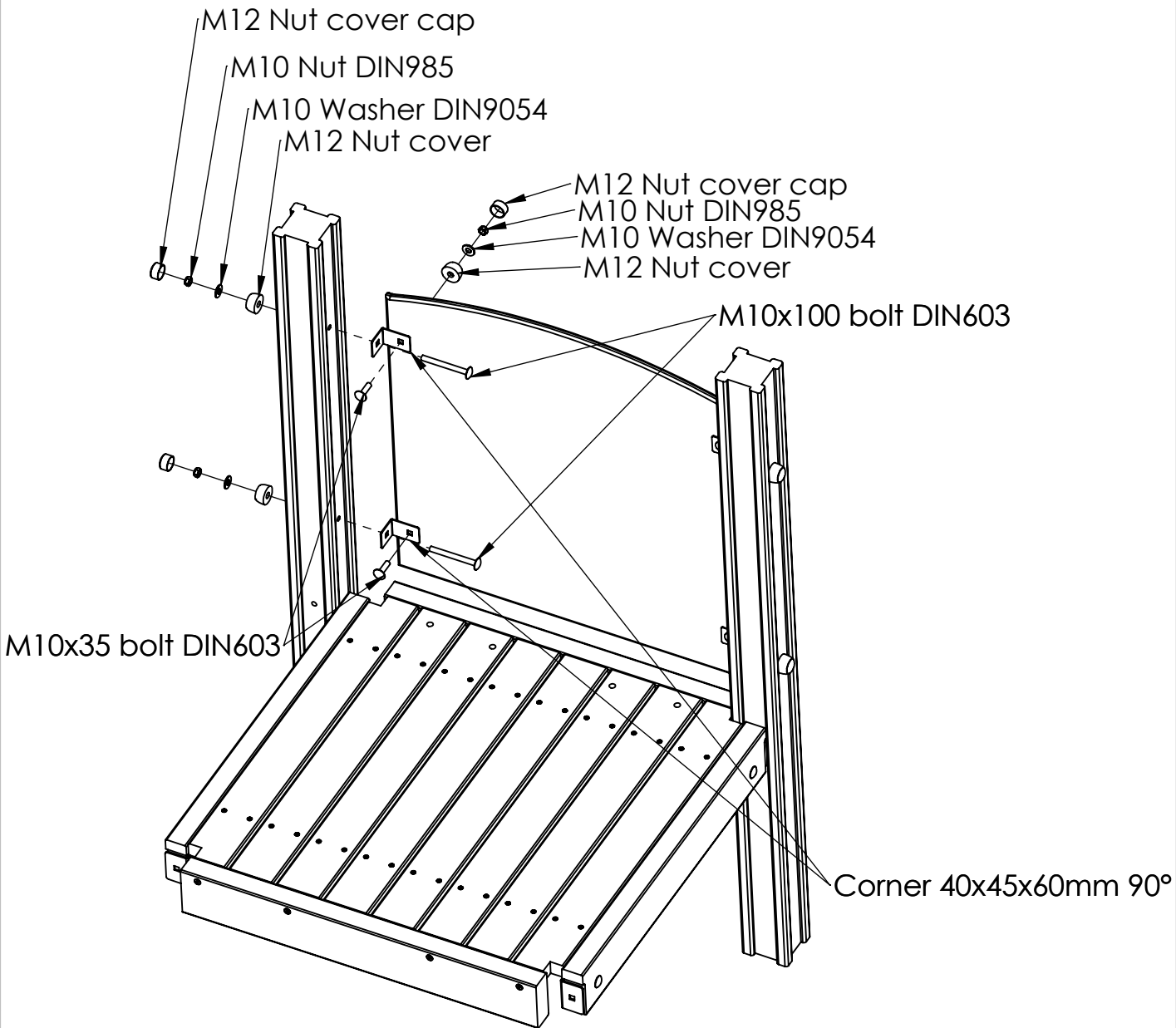
B

C

D

E

F



UNLESS OTHERWISE SPECIFIED:  
DIMENSIONS ARE IN MILLIMETERS  
WEIGHT ARE IN KILOGRAMM

|        | NAME   | SIGNATURE | DATE       | REVISION |
|--------|--------|-----------|------------|----------|
| DRAWN  | I.Agar |           | 30.03.2023 |          |
| APPV'D |        |           |            |          |

|                        |                    |
|------------------------|--------------------|
| PART NUMBER / DWG NO.: | LM232              |
| DESCRIPTION:           | Play centre Arthur |



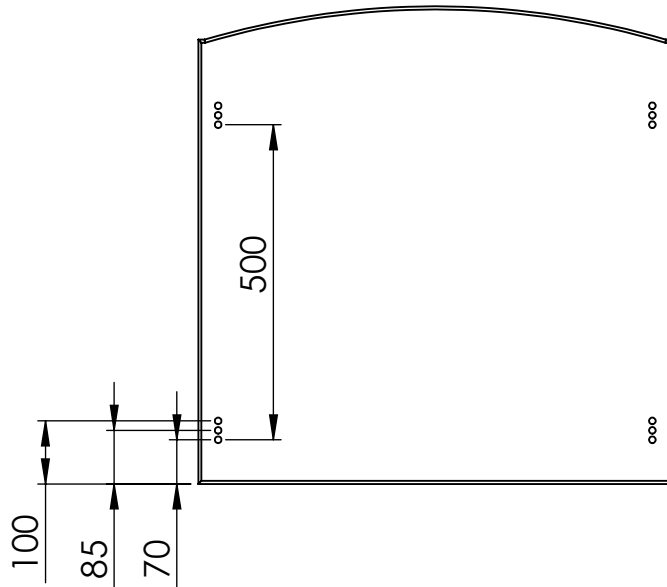
|           |                      |                |
|-----------|----------------------|----------------|
| MATERIAL: | wood, metal, plastic | A4             |
| WEIGHT:   |                      | SCALE: 1:12    |
|           |                      | SHEET 28 OF 66 |

# Panel to post assembly

A

Explanation of the `lower hole` behind the panel name:

B

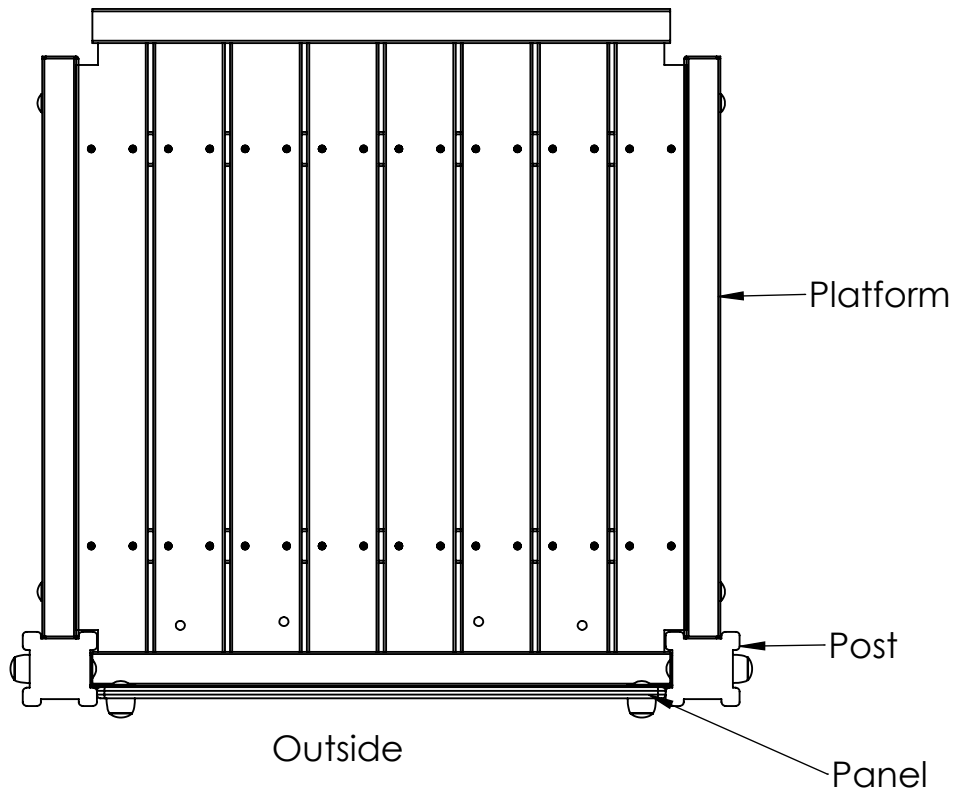


C

The panel must be installed on the post as shown in the picture!!!

D

E



F

UNLESS OTHERWISE SPECIFIED:  
DIMENSIONS ARE IN MILLIMETERS  
WEIGHT ARE IN KILOGRAMM

PART NUMBER / DWG NO.:

LM232

|        | NAME   | SIGNATURE | DATE       | REVISION |
|--------|--------|-----------|------------|----------|
| DRAWN  | I.Agar |           | 30.03.2023 |          |
| APPV'D |        |           |            |          |

DESCRIPTION:

Play centre Arthur



Tiptiptap OÜ

MATERIAL:

wood, metal, plastic

A4

WEIGHT:

SCALE: 1:10

SHEET 29 OF 66

A

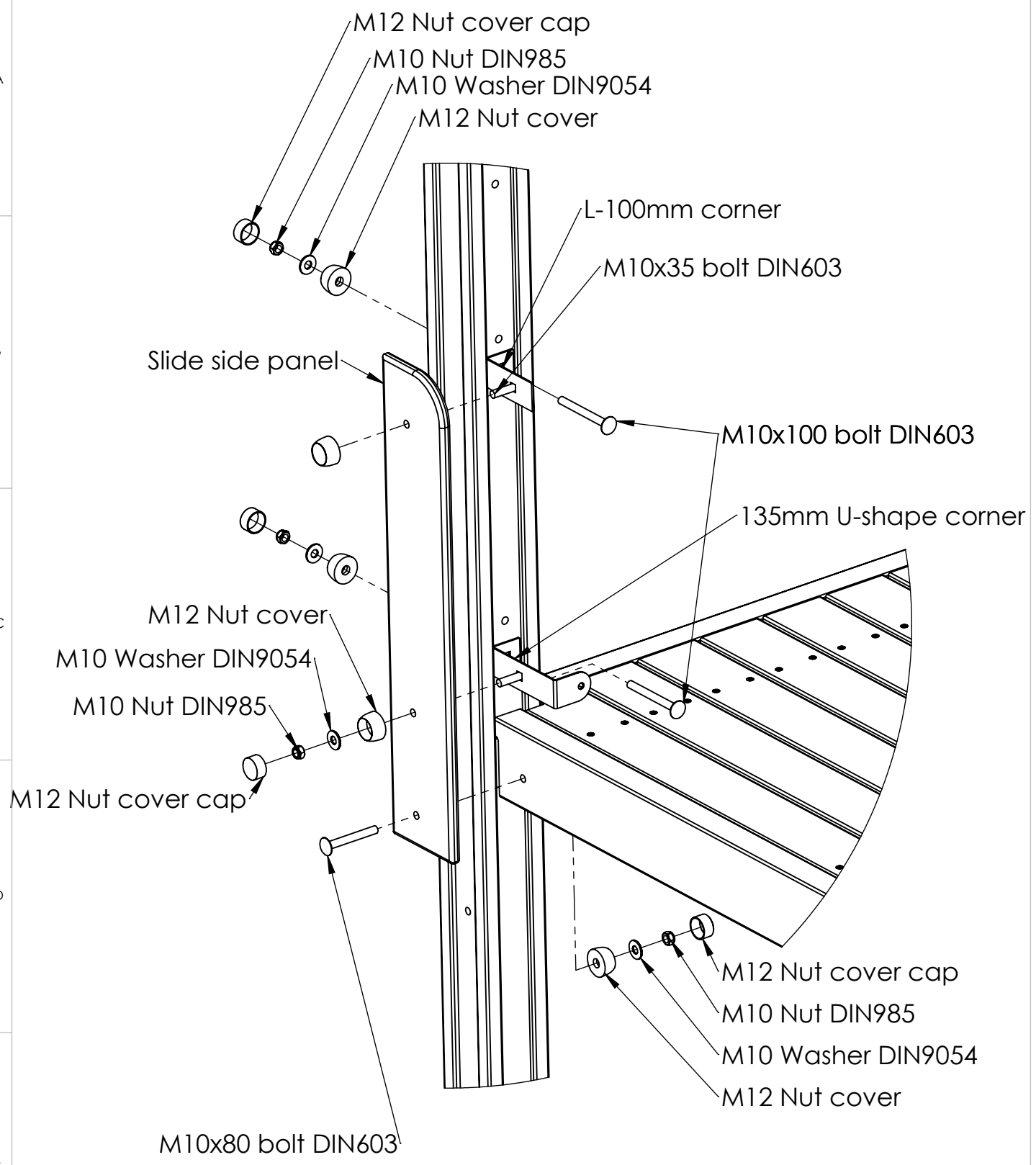
B

C

D

E

F



UNLESS OTHERWISE SPECIFIED:  
 DIMENSIONS ARE IN MILLIMETERS  
 WEIGHT ARE IN KILOGRAMM

|        | NAME   | SIGNATURE | DATE       | REVISION |
|--------|--------|-----------|------------|----------|
| DRAWN  | I.Agar |           | 30.03.2023 |          |
| APPV'D |        |           |            |          |

PART NUMBER / DWG NO.:  
**LM232**

DESCRIPTION:  
**Play centre Arthur**



|           |                      |                |
|-----------|----------------------|----------------|
| MATERIAL: | wood, metal, plastic | A4             |
| WEIGHT:   | SCALE: 1:20          | SHEET 30 OF 66 |

# Climbing grip to panel assembly

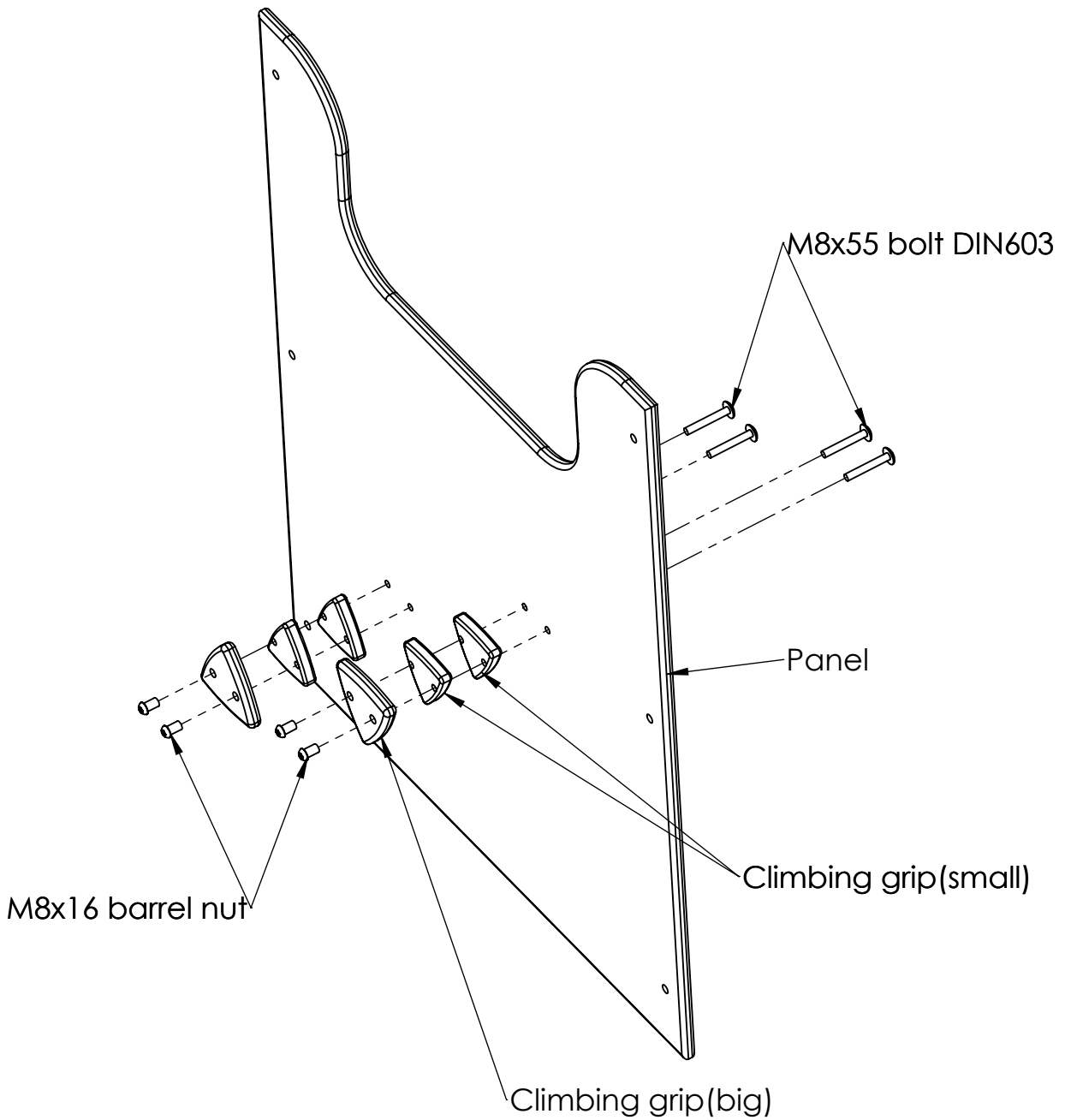
A

B

C

D

E



UNLESS OTHERWISE SPECIFIED:  
 DIMENSIONS ARE IN MILLIMETERS  
 WEIGHT ARE IN KILOGRAMM

PART NUMBER / DWG NO.:

LM232

|        | NAME   | SIGNATURE | DATE       | REVISION |
|--------|--------|-----------|------------|----------|
| DRAWN  | I.Agar |           | 30.03.2023 |          |
| APPV'D |        |           |            |          |

DESCRIPTION:

Play centre Arthur

F



**Tiptiptap** <sup>OO</sup>

MATERIAL:

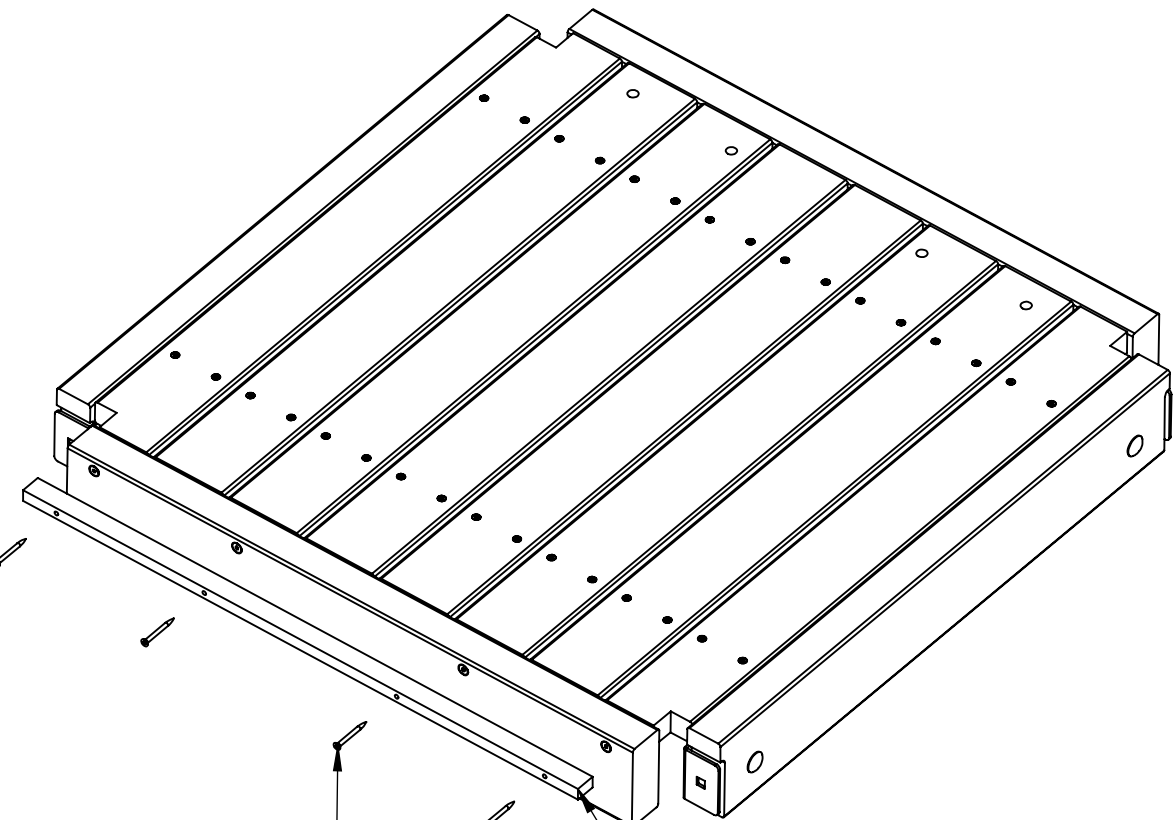
wood, metal, plastic

A4

WEIGHT:

SCALE: 1:7

SHEET 31 OF 66



4,5 x 50 Woodscrew

Platform slat

UNLESS OTHERWISE SPECIFIED:  
DIMENSIONS ARE IN MILLIMETERS  
WEIGHT ARE IN KILOGRAMM

PART NUMBER / DWG NO.:  
**LM232**

|        | NAME   | SIGNATURE | DATE       | REVISION |
|--------|--------|-----------|------------|----------|
| DRAWN  | I.Agar |           | 30.03.2023 |          |
| APPV'D |        |           |            |          |

DESCRIPTION:  
**Play centre Arthur**

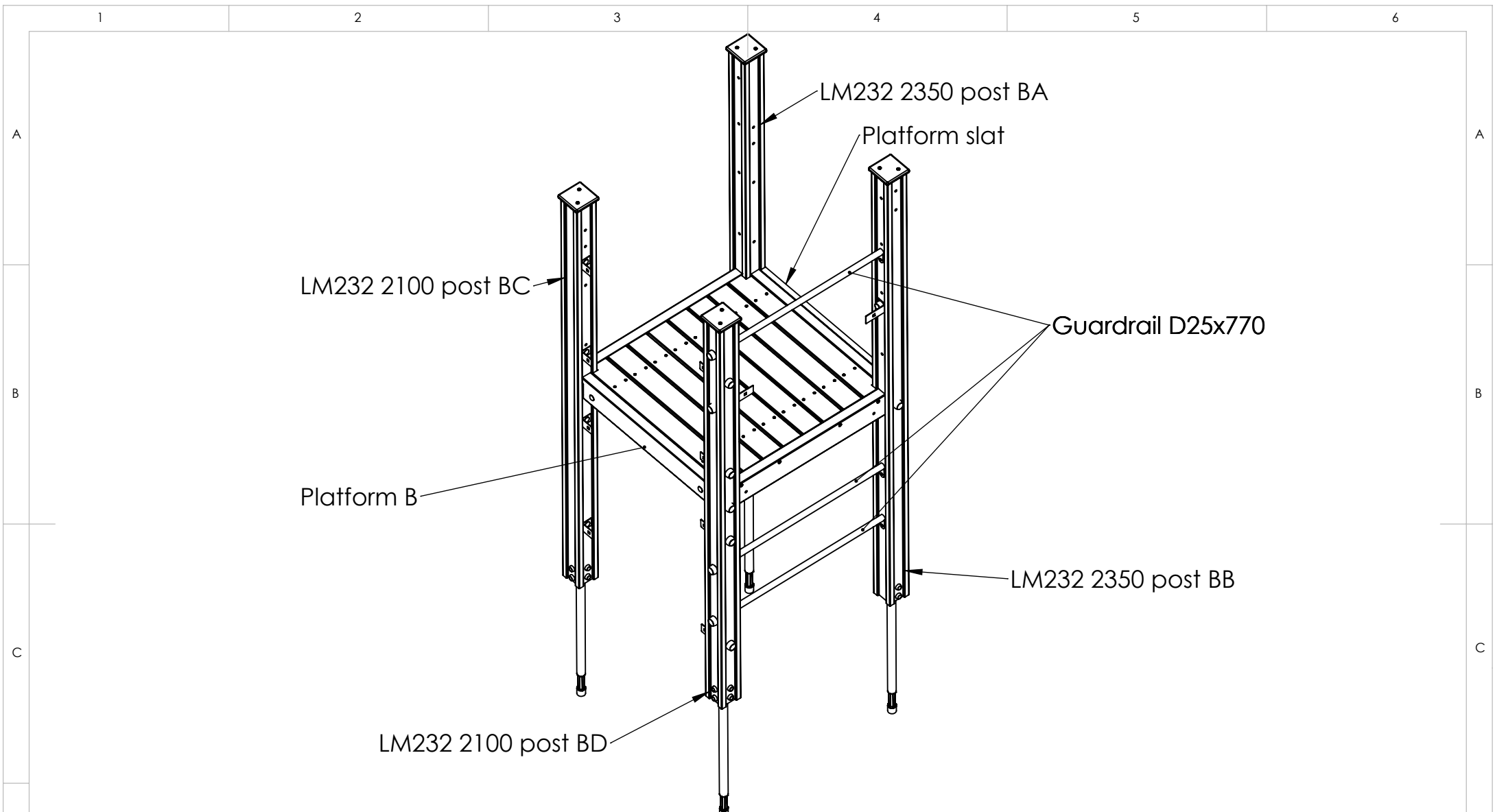



MATERIAL: wood, metal, plastic

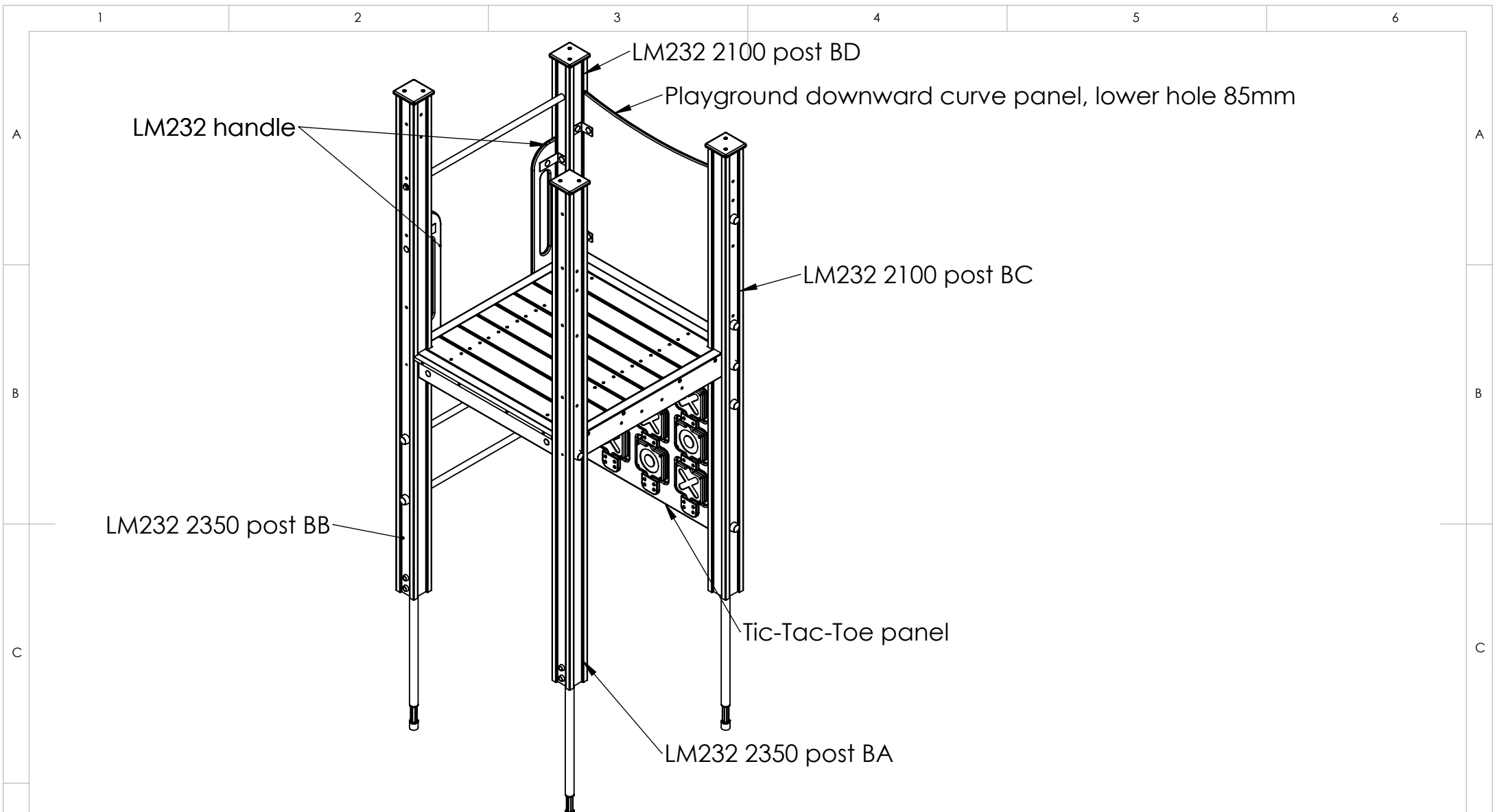
A4


WEIGHT: SCALE: 1:8 SHEET 32 OF 66

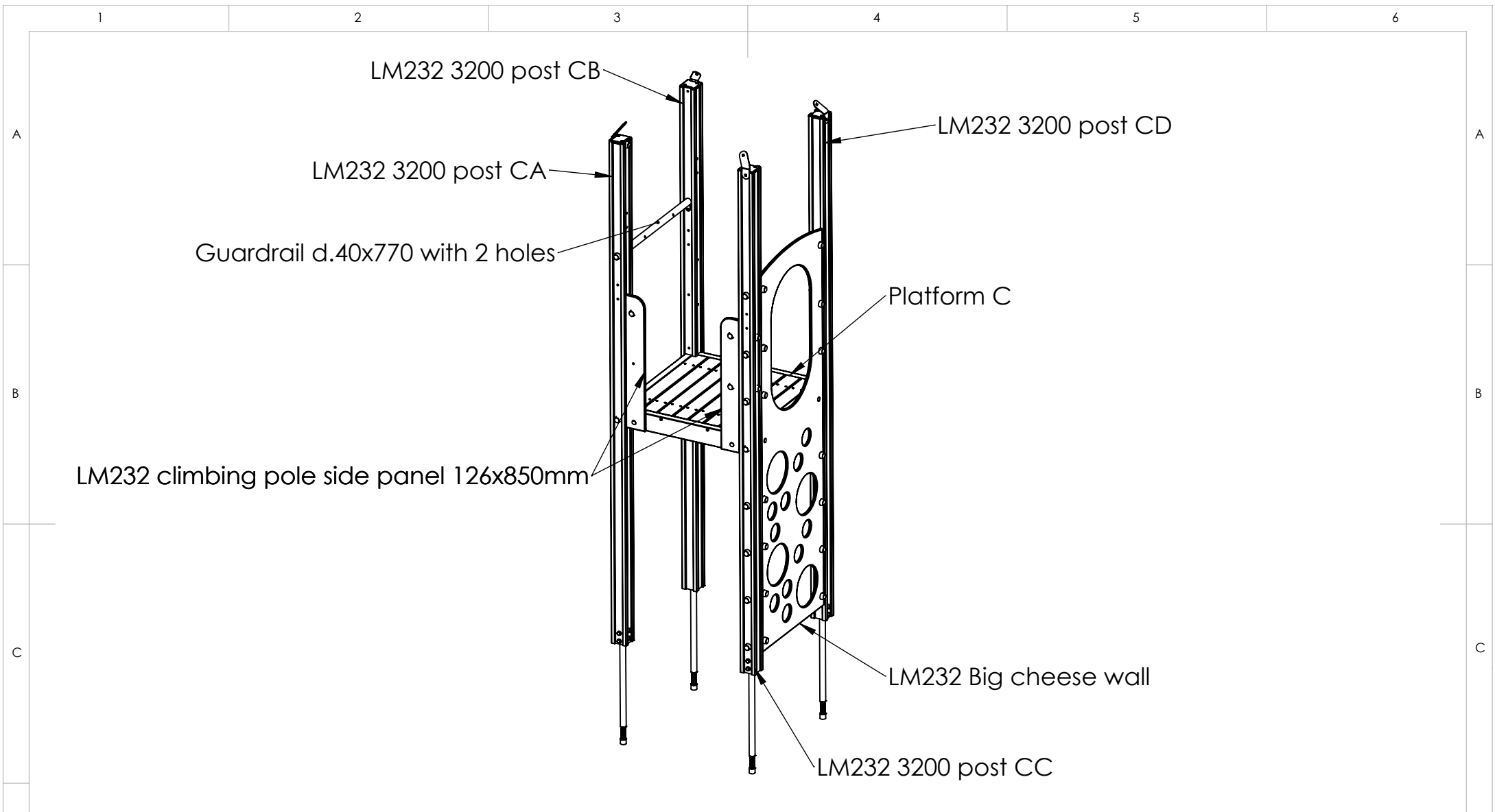





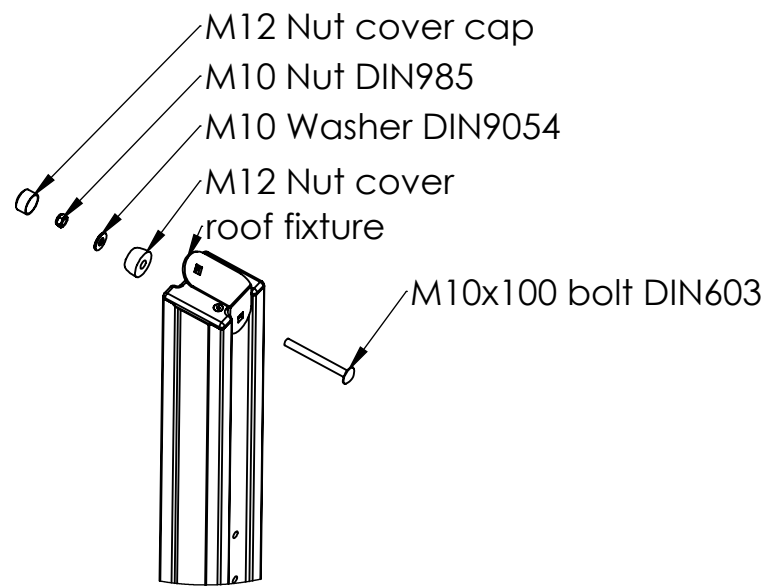
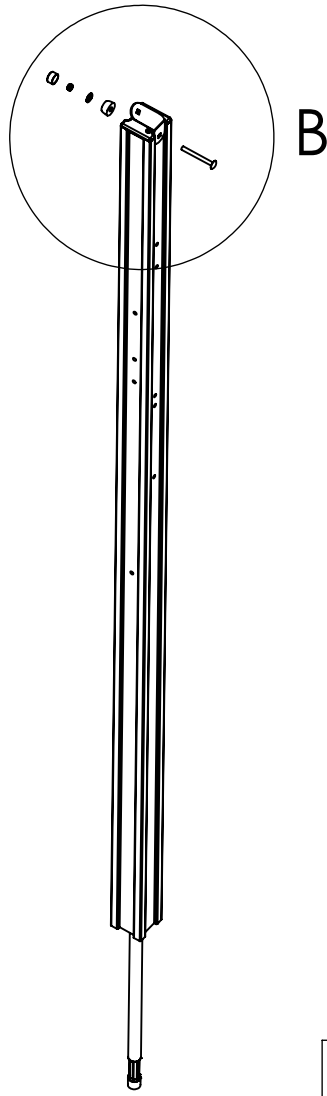
|   |        |           |            |          |  |  |                      |  |                |
|---|--------|-----------|------------|----------|--|--|----------------------|--|----------------|
| UNLESS OTHERWISE SPECIFIED:<br>DIMENSIONS ARE IN MILLIMETERS<br>WEIGHT ARE IN KILOGRAMM                         |        |           |            |          | PART NUMBER / DWG NO.:                 |  | LM232                |  |                |
|   | NAME   | SIGNATURE | DATE       | REVISION | DESCRIPTION:<br><br>Play centre Arthur |  |                      |  |                |
| DRAWN   | I.Agar |           | 30.03.2023 |          |  |  |                      |  |                |
| APPV'D  |        |           |            |          |  |  |                      |  |                |
|  <b>Tiptap</b> <sup>OO</sup> |        |           |            |          | MATERIAL:                              |  | wood, metal, plastic |  | A4             |
|   |        |           |            |          | WEIGHT:                                |  | SCALE: 1:20          |  | SHEET 33 OF 66 |




|  |        |           |            |          |   |                      |
|--|--------|-----------|------------|----------|---|----------------------|
| UNLESS OTHERWISE SPECIFIED:<br>DIMENSIONS ARE IN MILLIMETERS<br>WEIGHT ARE IN KILOGRAMM                            |        |           |            |          | PART NUMBER / DWG NO.:<br><b>LM232</b>    |                      |
|  | NAME   | SIGNATURE | DATE       | REVISION | DESCRIPTION:<br><b>Play centre Arthur</b> |                      |
| DRAWN  | I.Agar |           | 30.03.2023 |          |   |                      |
| APPV'D   |        |           |            |          |   |                      |
|  <b>Tiptiptap</b> <sup>OO</sup> |        |           |            |          | MATERIAL:                                 | wood, metal, plastic |
|  |        |           |            |          | WEIGHT:                                   | SCALE: 1:20          |

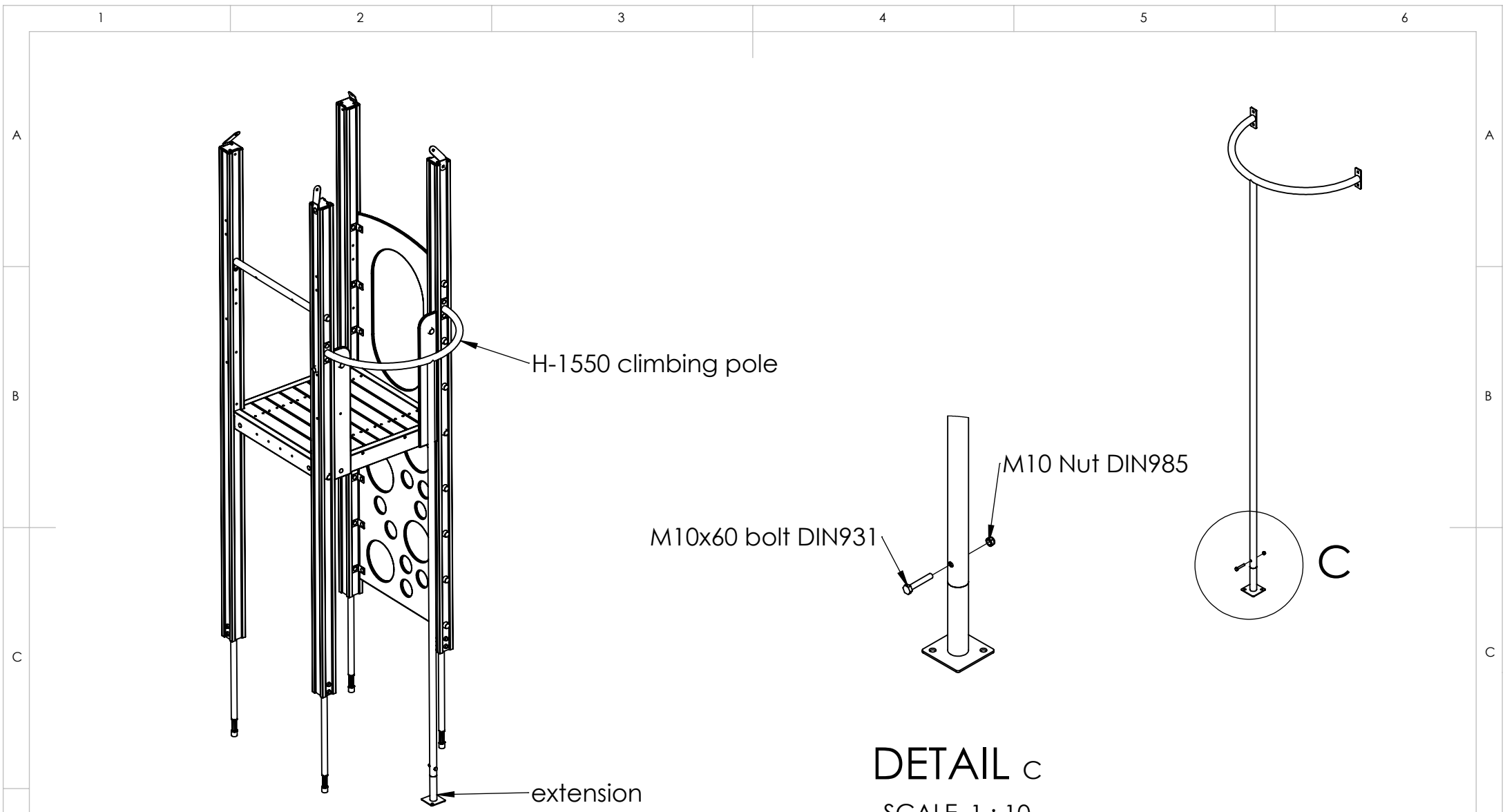


|  |        |           |            |          |   |                      |
|--|--------|-----------|------------|----------|---|----------------------|
| UNLESS OTHERWISE SPECIFIED:<br>DIMENSIONS ARE IN MILLIMETERS<br>WEIGHT ARE IN KILOGRAMM              |        |           |            |          | PART NUMBER / DWG NO.:<br><b>LM232</b>    |                      |
|  | NAME   | SIGNATURE | DATE       | REVISION | DESCRIPTION:<br><b>Play centre Arthur</b> |                      |
| DRAWN  | I.Agar |           | 30.03.2023 |          |   |                      |
| APPV'D   |        |           |            |          |   |                      |
|  <b>Tiptap</b> OÜ |        |           |            |          | MATERIAL:                                 | wood, metal, plastic |
|  |        |           |            |          | WEIGHT:                                   |                      |




**DETAIL B**  
SCALE 1 : 10

|  |        |           |            |          |   |  |             |
|--|--------|-----------|------------|----------|---|--|-------------|
| UNLESS OTHERWISE SPECIFIED:<br>DIMENSIONS ARE IN MILLIMETERS<br>WEIGHT ARE IN KILOGRAMM                            |        |           |            |          | PART NUMBER / DWG NO.:<br><b>LM232</b>    |  |             |
|  | NAME   | SIGNATURE | DATE       | REVISION | DESCRIPTION:<br><b>Play centre Arthur</b> |  |             |
| DRAWN  | I.Agar |           | 30.03.2023 |          |   |  |             |
| APPV'D   |        |           |            |          |   |  |             |
|  <b>Tiptiptap</b> <sup>OO</sup> |        |           |            |          | MATERIAL:<br>wood, metal, plastic         |  | A4          |
|  |        |           |            |          | WEIGHT:                                   |  | SCALE: 1:20 |



**DETAIL C**  
SCALE 1 : 10

|   |        |           |            |          |                        |             |
|---|--------|-----------|------------|----------|------------------------|-------------|
| UNLESS OTHERWISE SPECIFIED:<br>DIMENSIONS ARE IN MILLIMETERS<br>WEIGHT ARE IN KILOGRAMM                         |        |           |            |          | PART NUMBER / DWG NO.: |             |
|   |        |           |            |          | LM232                  |             |
|   | NAME   | SIGNATURE | DATE       | REVISION | DESCRIPTION:           |             |
| DRAWN   | I.Agar |           | 30.03.2023 |          | Play centre Arthur     |             |
| APPV'D  |        |           |            |          | MATERIAL:              |             |
|  <b>Tiptap</b> <sup>ÖÜ</sup> |        |           |            |          | wood, metal, plastic   |             |
|   |        |           |            |          | A4                     |             |
|   |        |           |            |          | WEIGHT:                | SCALE: 1:30 |
|   |        |           |            |          | SHEET 37 OF 66         |             |

A

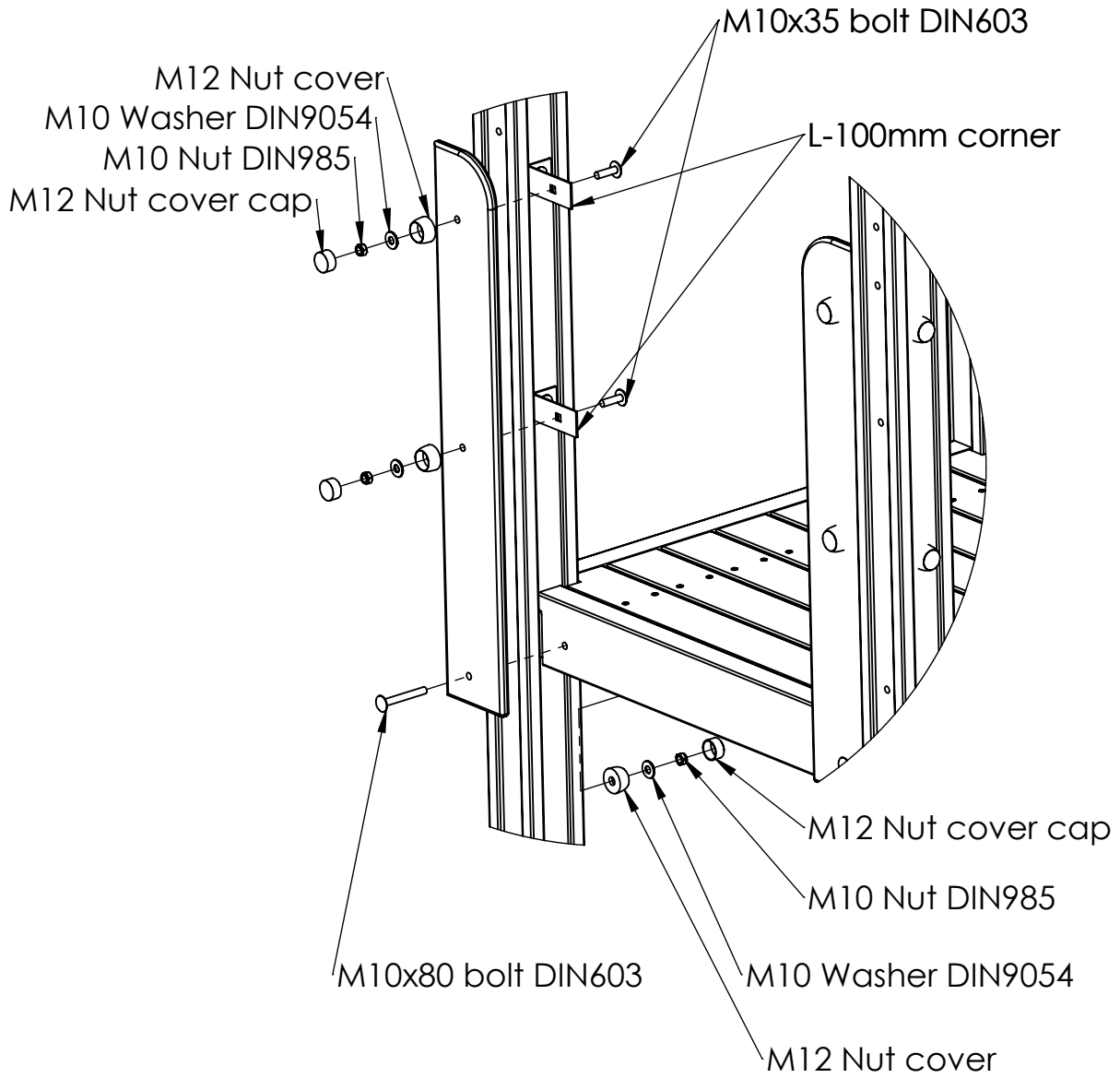
B

C

D

E

F



UNLESS OTHERWISE SPECIFIED:  
DIMENSIONS ARE IN MILLIMETERS  
WEIGHT ARE IN KILOGRAMM

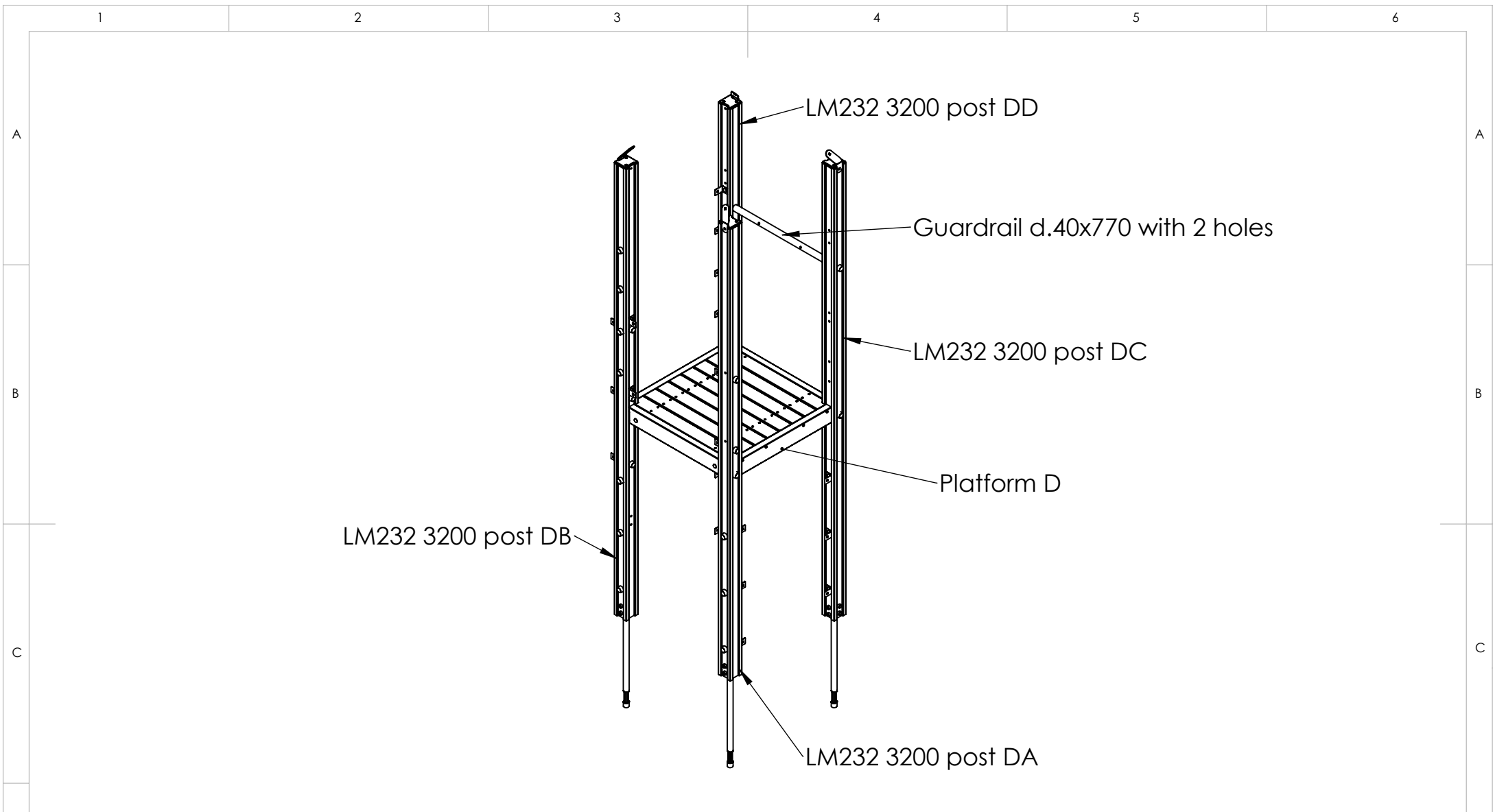
PART NUMBER / DWG NO.:  
**LM232**


|        | NAME   | SIGNATURE | DATE       | REVISION |
|--------|--------|-----------|------------|----------|
| DRAWN  | I.Agar |           | 30.03.2023 |          |
| APPV'D |        |           |            |          |

DESCRIPTION:  
**Play centre Arthur**



|           |                      |                |
|-----------|----------------------|----------------|
| MATERIAL: | wood, metal, plastic | A4             |
| WEIGHT:   |                      | SCALE: 1:50    |
|           |                      | SHEET 38 OF 66 |



|   |        |           |            |          |   |                      |
|---|--------|-----------|------------|----------|---|----------------------|
| UNLESS OTHERWISE SPECIFIED:<br>DIMENSIONS ARE IN MILLIMETERS<br>WEIGHT ARE IN KILOGRAMM                         |        |           |            |          | PART NUMBER / DWG NO.:<br><b>LM232</b>    |                      |
|   | NAME   | SIGNATURE | DATE       | REVISION | DESCRIPTION:<br><b>Play centre Arthur</b> |                      |
| DRAWN   | I.Agar |           | 30.03.2023 |          |   |                      |
| APPV'D  |        |           |            |          |   |                      |
|  <b>Tiptap</b> <sup>OO</sup> |        |           |            |          | MATERIAL:                                 | wood, metal, plastic |
|   |        |           |            |          | WEIGHT:                                   | SCALE: 1:30          |

LM232 panel between platforms

Slide side panel block 1

Climbing grip

Playground upward curved panel, lower hole 70mm

LM232 panel with window

Stove

LM232 752x730 seat panel

Seat

UNLESS OTHERWISE SPECIFIED:  
DIMENSIONS ARE IN MILLIMETERS  
WEIGHT ARE IN KILOGRAMM

PART NUMBER / DWG NO.:

LM232

|        | NAME   | SIGNATURE | DATE       | REVISION |
|--------|--------|-----------|------------|----------|
| DRAWN  | I.Agar |           | 30.03.2023 |          |
| APPV'D |        |           |            |          |

DESCRIPTION:

Play centre Arthur

MATERIAL:

wood, metal, plastic

A4

WEIGHT:

SCALE: 1:30

SHEET 40 OF 66



Tiptap<sup>OU</sup>



# Seat MF assembly

A

B

C

D

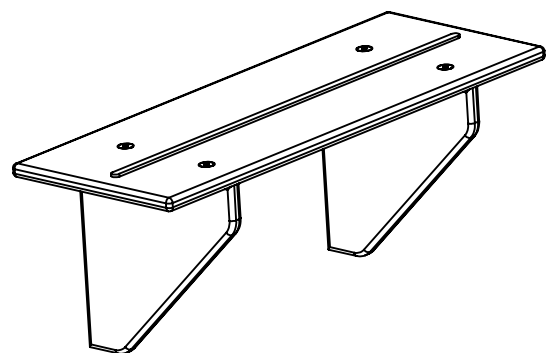
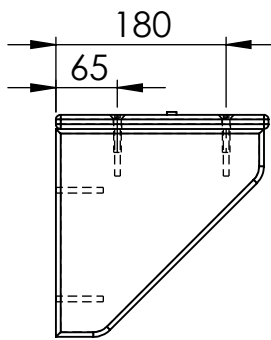
E

F

M8x40 DIN7991

Playgrounds seat panel MF

Plastic corner 90° 220x220mm



UNLESS OTHERWISE SPECIFIED:  
DIMENSIONS ARE IN MILLIMETERS  
WEIGHT ARE IN KILOGRAMM

PART NUMBER / DWG NO.:

LM232

|        | NAME   | SIGNATURE | DATE       | REVISION |
|--------|--------|-----------|------------|----------|
| DRAWN  | I.Agar |           | 30.03.2023 |          |
| APPV'D |        |           |            |          |

DESCRIPTION:

Play centre Arthur

MATERIAL:

wood, metal, plastic

A4

WEIGHT:

SCALE: 1:8

SHEET 41 OF 66



Tiptiptap <sup>00</sup>

# Seat assembly

A

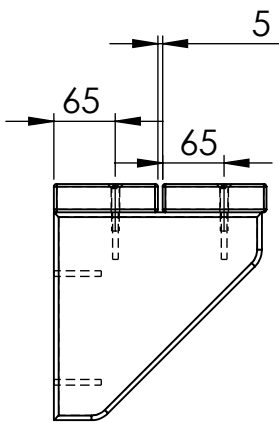
M8x50 DIN7991

Seat beam 30x110x600mm

B

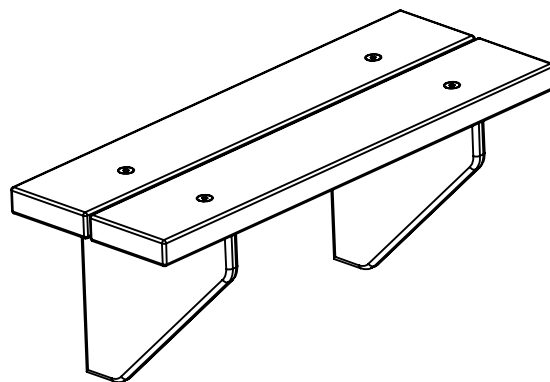
Plastic corner 90° 220x220mm

C



D

E



UNLESS OTHERWISE SPECIFIED:  
DIMENSIONS ARE IN MILLIMETERS  
WEIGHT ARE IN KILOGRAMM

PART NUMBER / DWG NO.:

LM232

|        | NAME   | SIGNATURE | DATE       | REVISION |
|--------|--------|-----------|------------|----------|
| DRAWN  | I.Agar |           | 30.03.2023 |          |
| APPV'D |        |           |            |          |

DESCRIPTION:

Play centre Arthur

F



Tiptiptap <sup>OO</sup>

MATERIAL:

wood, metal, plastic

A4

WEIGHT:

SCALE: 1:8

SHEET 42 OF 66

# Seat MF assembly

A

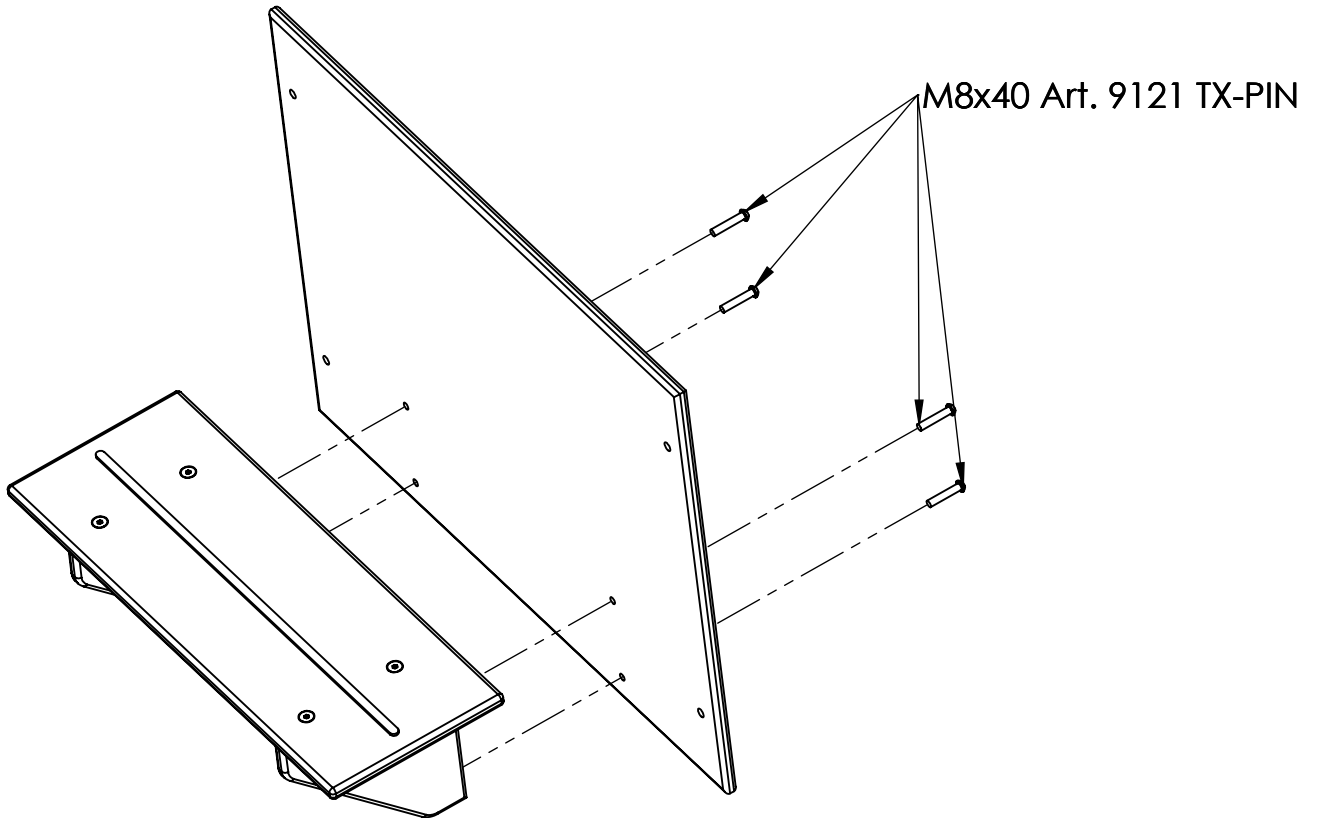
B

C

D

E

F



UNLESS OTHERWISE SPECIFIED:  
 DIMENSIONS ARE IN MILLIMETERS  
 WEIGHT ARE IN KILOGRAMM

PART NUMBER / DWG NO.:

LM232

|        | NAME   | SIGNATURE | DATE       | REVISION |
|--------|--------|-----------|------------|----------|
| DRAWN  | I.Agar |           | 30.03.2023 |          |
| APPV'D |        |           |            |          |

DESCRIPTION:

Play centre Arthur

MATERIAL:

wood, metal, plastic

A4

WEIGHT:

SCALE: 1:8

SHEET 43 OF 66

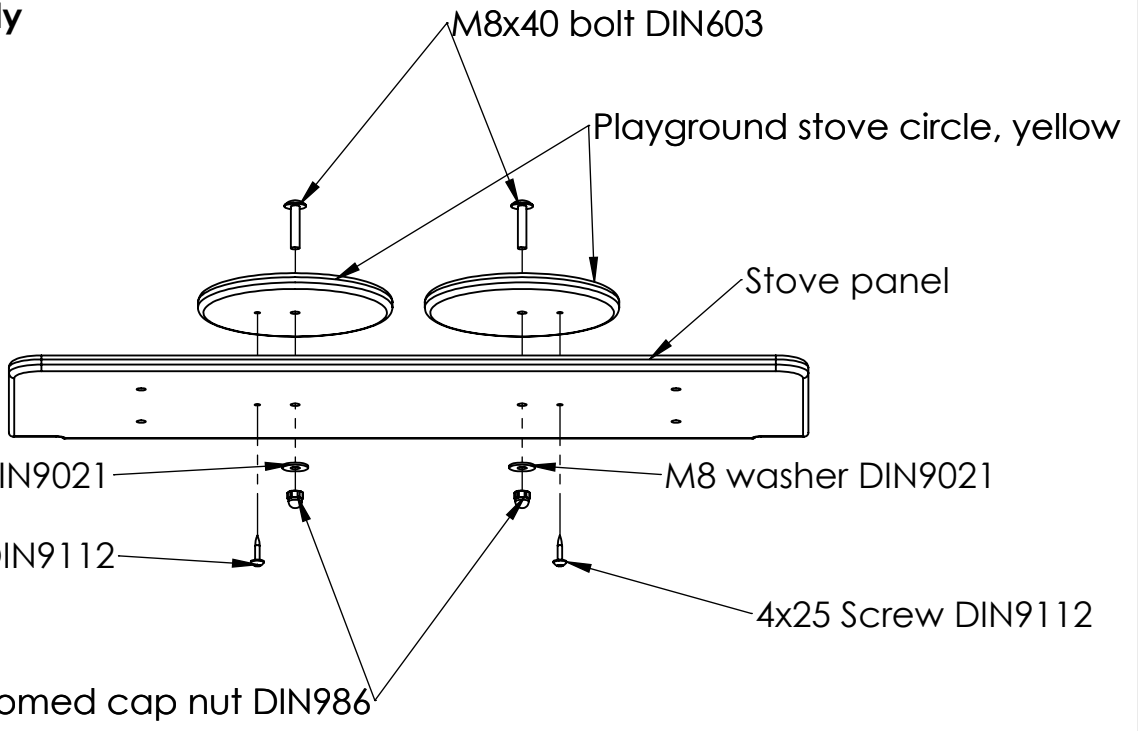


# Tiptiptap<sup>OO</sup>

# Stove assembly

A

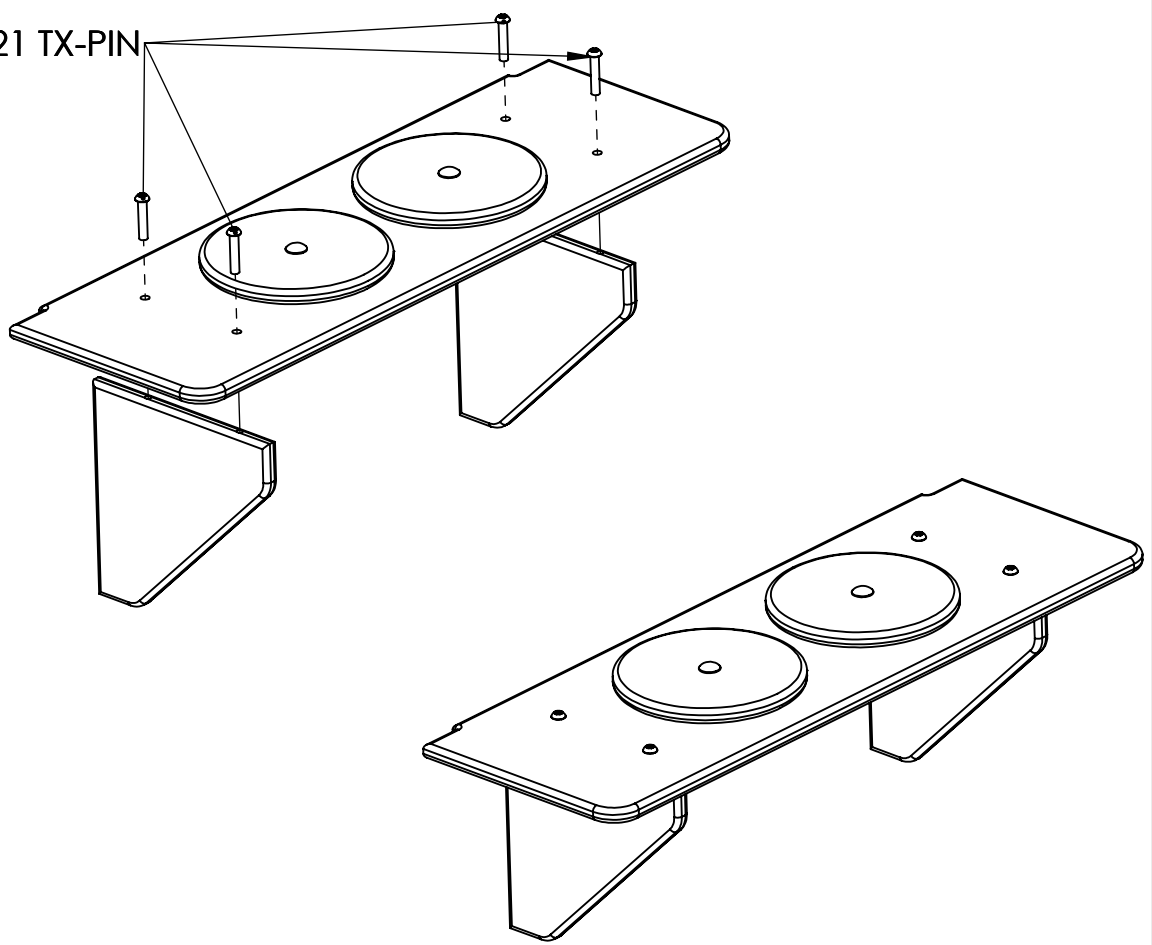
## Step 1



B

C

## Step 2



D

E

F

UNLESS OTHERWISE SPECIFIED:  
DIMENSIONS ARE IN MILLIMETERS  
WEIGHT ARE IN KILOGRAMM

|        | NAME   | SIGNATURE | DATE       | REVISION |
|--------|--------|-----------|------------|----------|
| DRAWN  | I.Agar |           | 30.03.2023 |          |
| APPV'D |        |           |            |          |

|                        |                    |
|------------------------|--------------------|
| PART NUMBER / DWG NO.: | LM232              |
| DESCRIPTION:           | Play centre Arthur |



|           |                      |                |
|-----------|----------------------|----------------|
| MATERIAL: | wood, metal, plastic | A4             |
| WEIGHT:   | SCALE: 1:7           | SHEET 44 OF 66 |

# Stove assembly

A

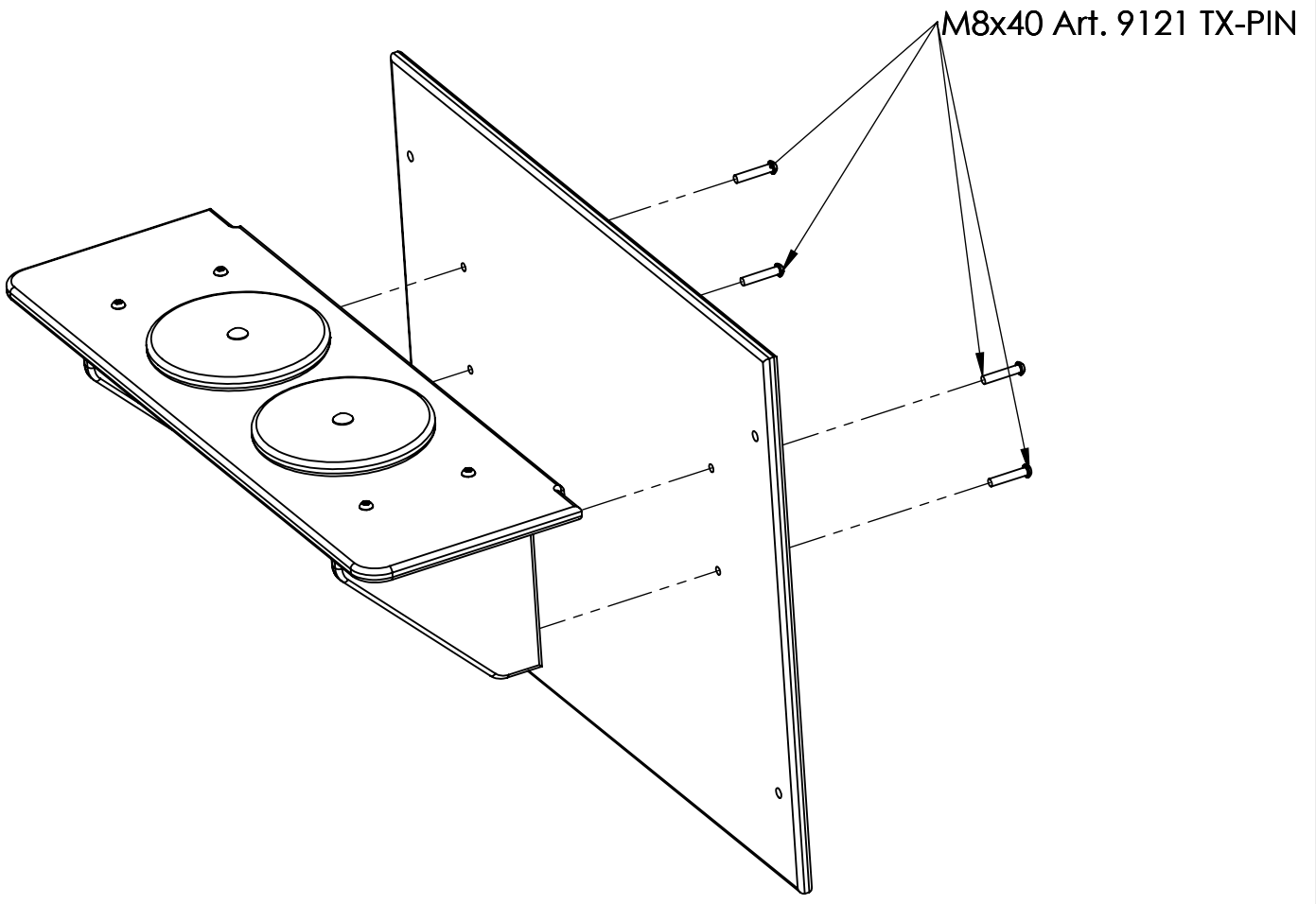
B

C

D

E

F



UNLESS OTHERWISE SPECIFIED:  
 DIMENSIONS ARE IN MILLIMETERS  
 WEIGHT ARE IN KILOGRAMM

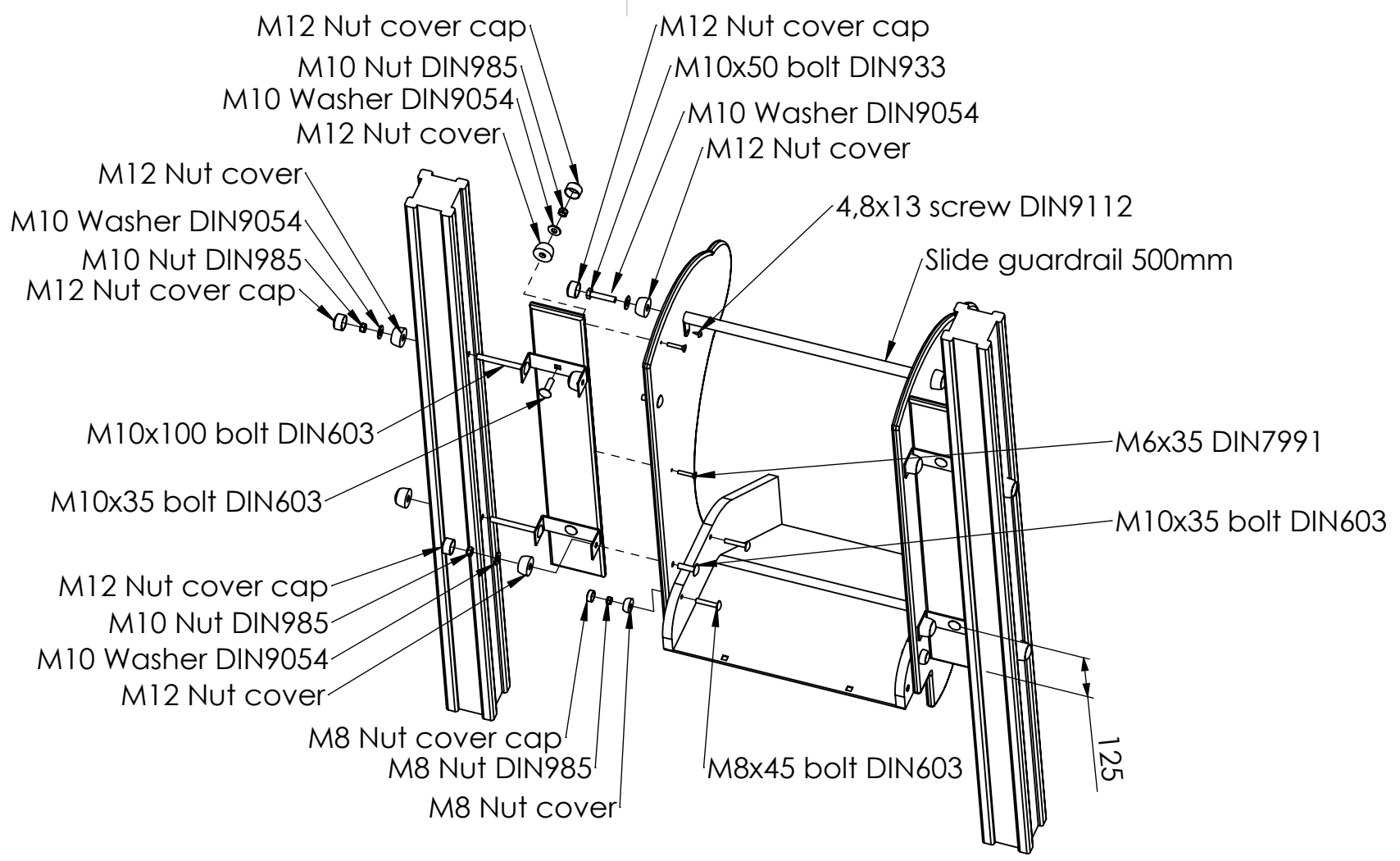
PART NUMBER / DWG NO.:  
**LM232**

|        | NAME   | SIGNATURE | DATE       | REVISION |
|--------|--------|-----------|------------|----------|
| DRAWN  | I.Agar |           | 30.03.2023 |          |
| APPV'D |        |           |            |          |

DESCRIPTION:  
**Play centre Arthur**



|           |                      |                |
|-----------|----------------------|----------------|
| MATERIAL: | wood, metal, plastic | A4             |
| WEIGHT:   |                      | SCALE: 1:7     |
|           |                      | SHEET 45 OF 66 |



UNLESS OTHERWISE SPECIFIED:  
 DIMENSIONS ARE IN MILLIMETERS  
 WEIGHT ARE IN KILOGRAMM

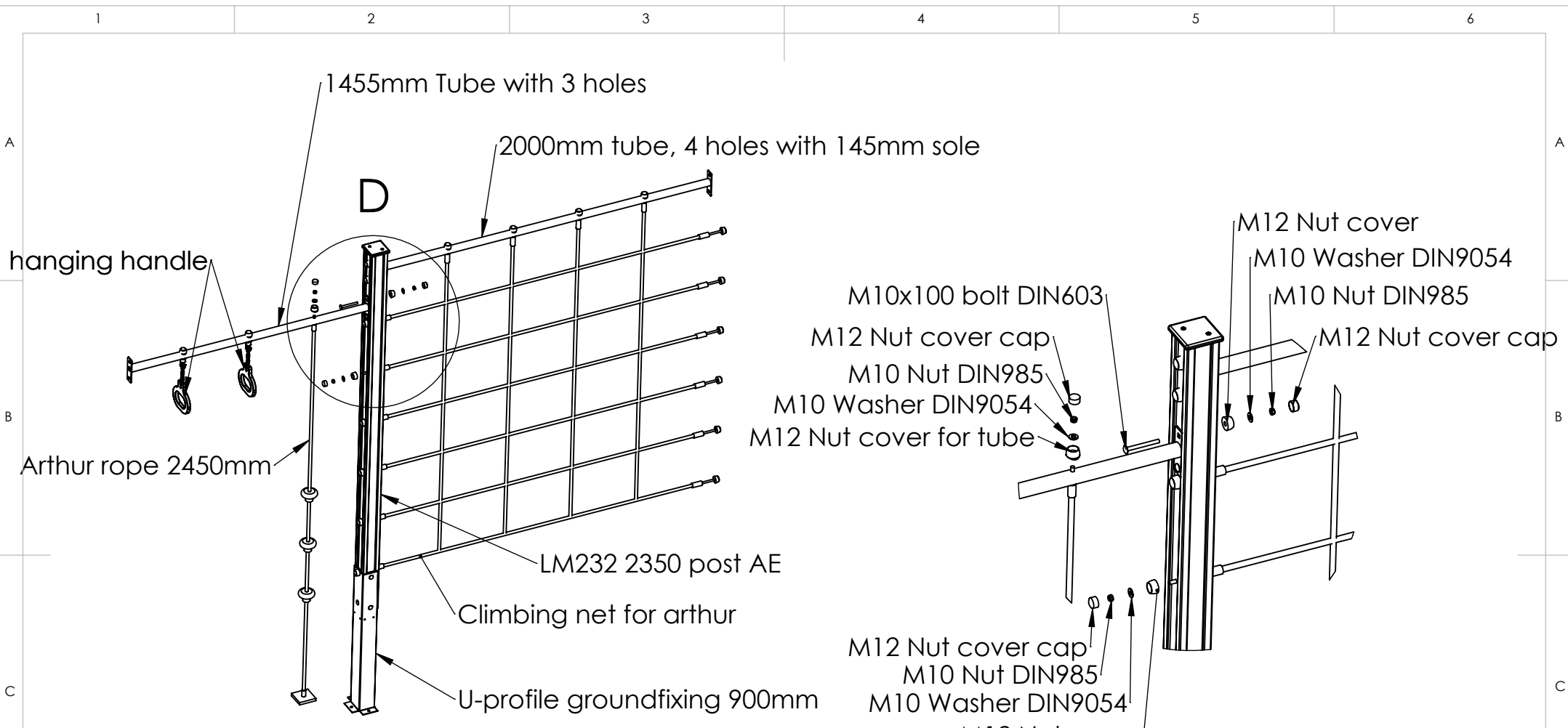
PART NUMBER / DWG NO.:  
**LM232**

|        | NAME   | SIGNATURE | DATE       | REVISION |
|--------|--------|-----------|------------|----------|
| DRAWN  | I.Agar |           | 30.03.2023 |          |
| APPV'D |        |           |            |          |


DESCRIPTION:  
**Play centre Arthur**

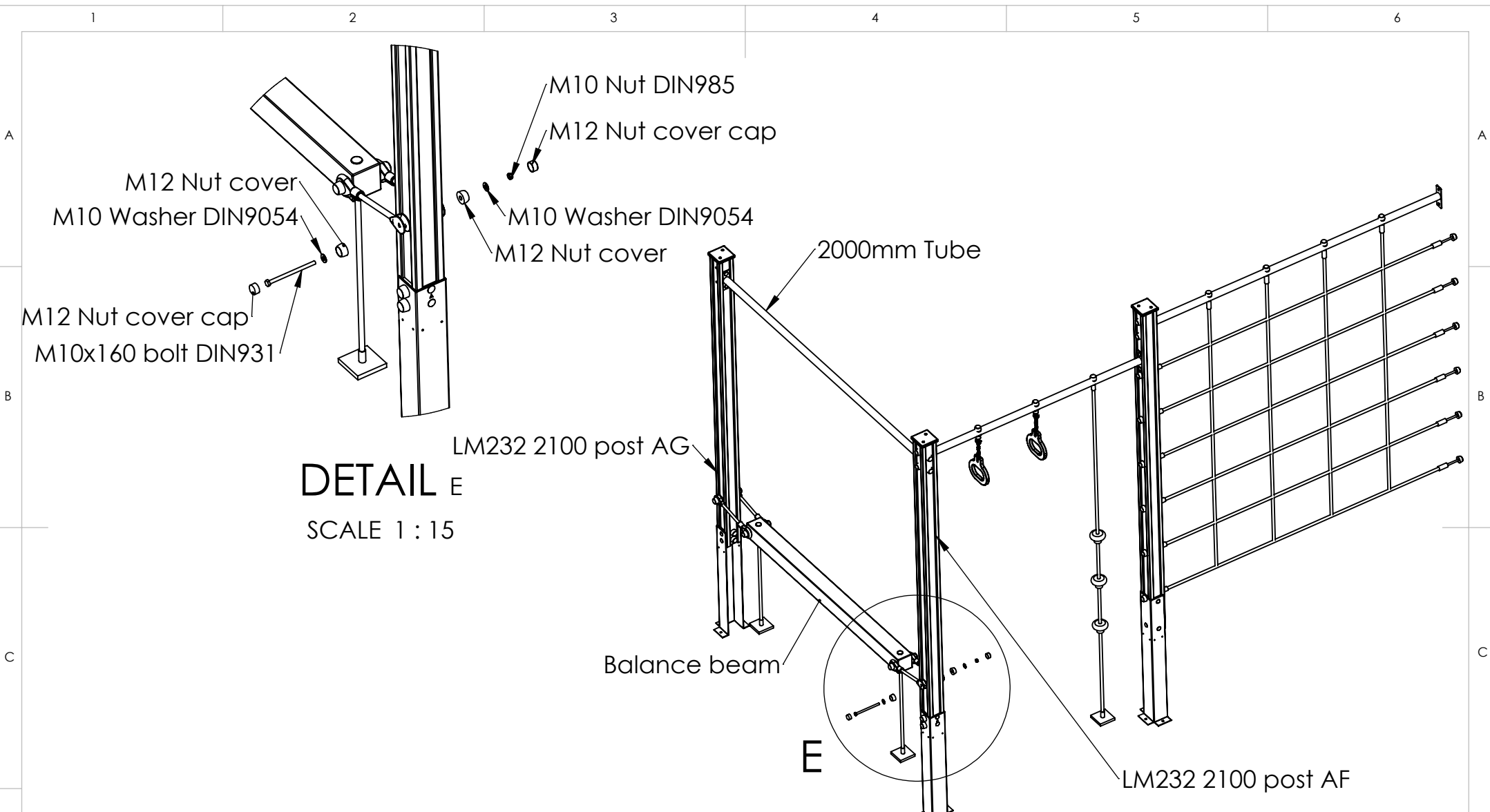


|           |                      |                |
|-----------|----------------------|----------------|
| MATERIAL: | wood, metal, plastic | A4             |
| WEIGHT:   |                      | SCALE: 1:12    |
|           |                      | SHEET 46 OF 66 |



**DETAIL D**  
SCALE 1 : 15

|   |        |           |            |          |                        |             |
|---|--------|-----------|------------|----------|------------------------|-------------|
| UNLESS OTHERWISE SPECIFIED:<br>DIMENSIONS ARE IN MILLIMETERS<br>WEIGHT ARE IN KILOGRAMM                         |        |           |            |          | PART NUMBER / DWG NO.: |             |
|   |        |           |            |          | LM232                  |             |
|   | NAME   | SIGNATURE | DATE       | REVISION | DESCRIPTION:           |             |
| DRAWN   | I.Agar |           | 30.03.2023 |          | Play centre Arthur     |             |
| APPV'D  |        |           |            |          | MATERIAL:              |             |
|  <b>Tiptap</b> <sup>OU</sup> |        |           |            |          | wood, metal, plastic   |             |
|   |        |           |            |          | A4                     |             |
|   |        |           |            |          | WEIGHT:                | SCALE: 1:30 |
|   |        |           |            |          | SHEET 47 OF 66         |             |



UNLESS OTHERWISE SPECIFIED:  
DIMENSIONS ARE IN MILLIMETERS  
WEIGHT ARE IN KILOGRAMM

|        | NAME   | SIGNATURE | DATE       | REVISION |
|--------|--------|-----------|------------|----------|
| DRAWN  | I.Agar |           | 30.03.2023 |          |
| APPV'D |        |           |            |          |



PART NUMBER / DWG NO.:  
**LM232**

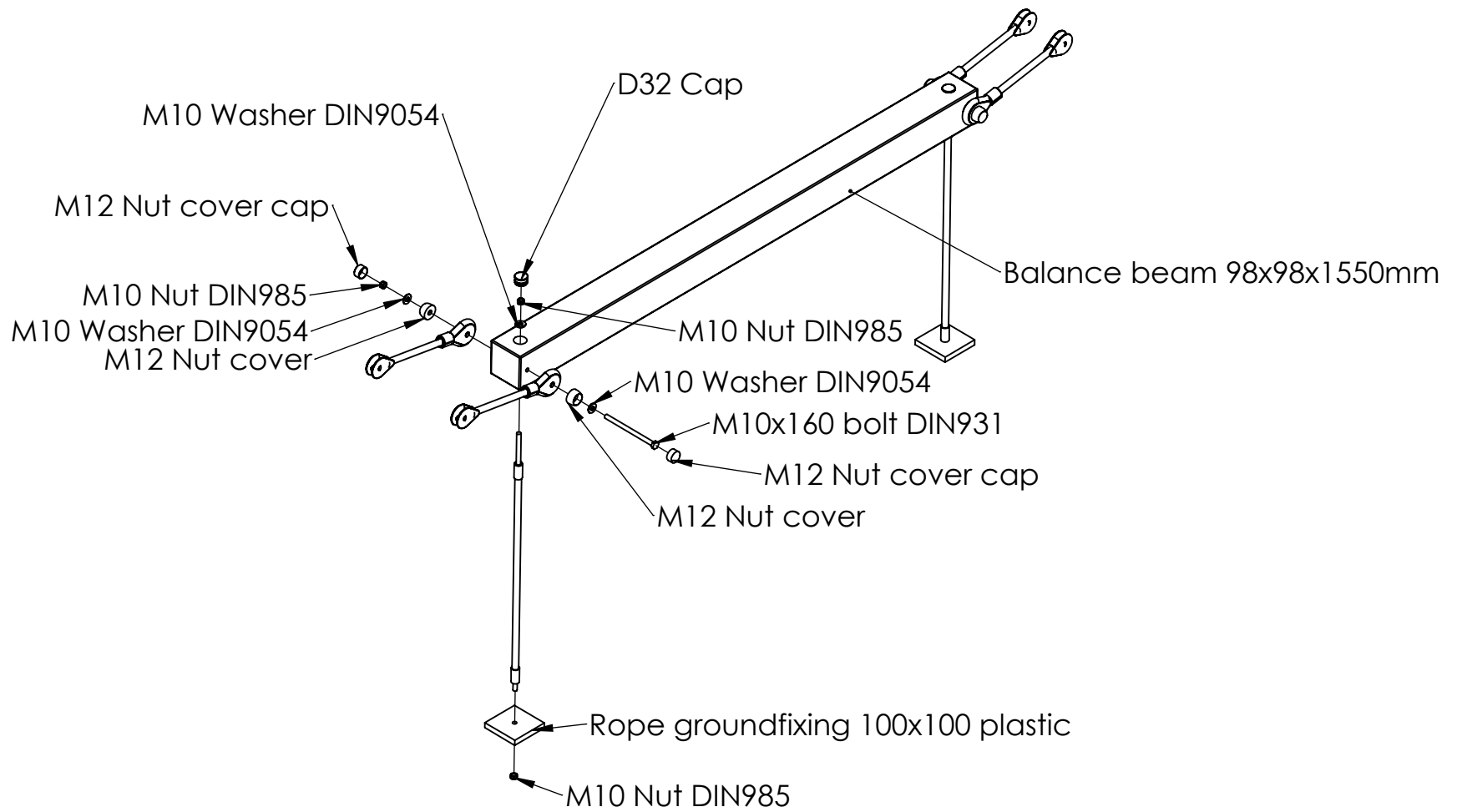
DESCRIPTION:  
**Play centre Arthur**

MATERIAL: wood, metal, plastic

A4

WEIGHT: SCALE: 1:30 SHEET 48 OF 66





UNLESS OTHERWISE SPECIFIED:  
 DIMENSIONS ARE IN MILLIMETERS  
 WEIGHT ARE IN KILOGRAMM

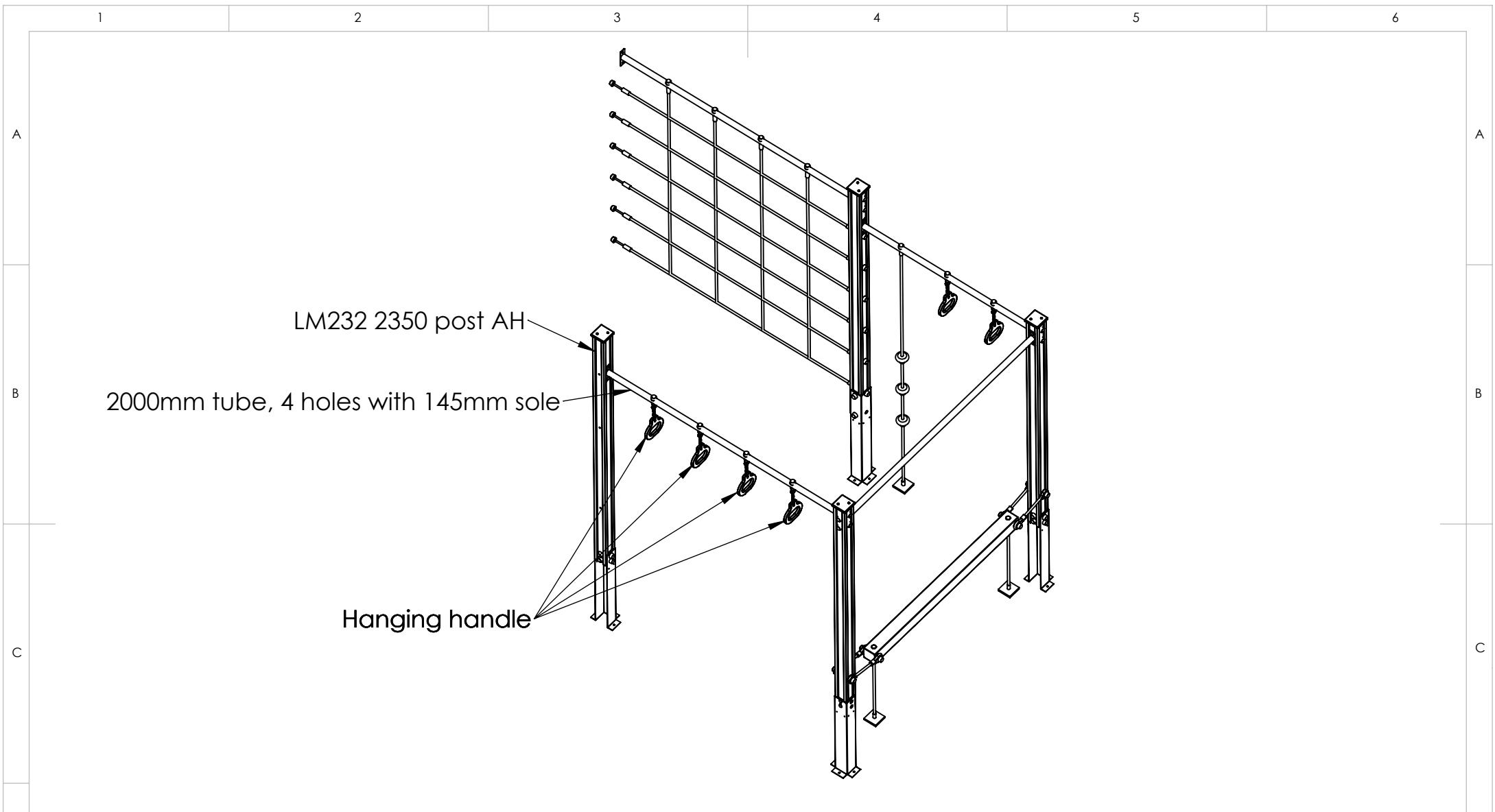
PART NUMBER / DWG NO.:  
**LM232**

|        | NAME   | SIGNATURE | DATE       | REVISION |
|--------|--------|-----------|------------|----------|
| DRAWN  | I.Agar |           | 30.03.2023 |          |
| APPV'D |        |           |            |          |

DESCRIPTION:  
**Play centre Arthur**




|           |                      |                |
|-----------|----------------------|----------------|
| MATERIAL: | wood, metal, plastic | A4             |
| WEIGHT:   | SCALE: 1:15          | SHEET 49 OF 66 |



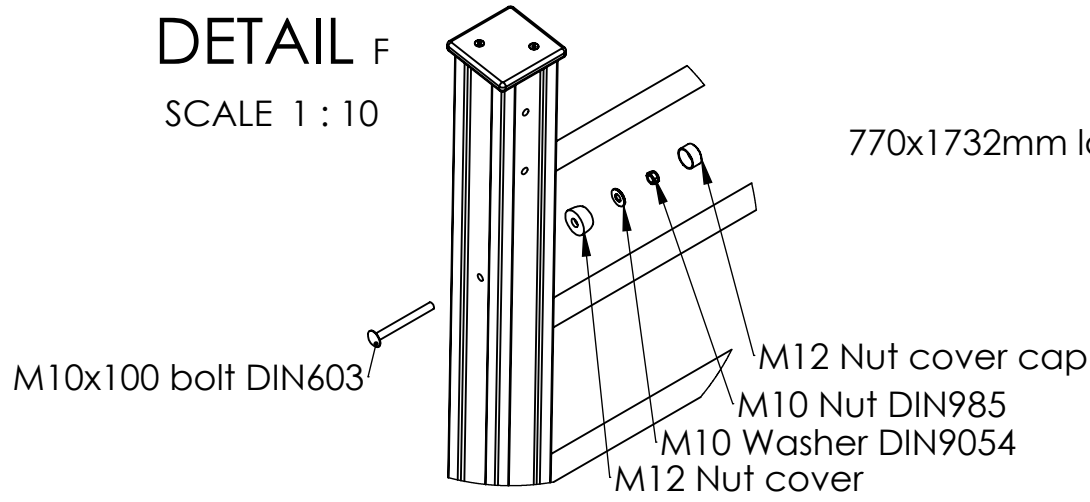
LM232 2350 post AH

2000mm tube, 4 holes with 145mm sole

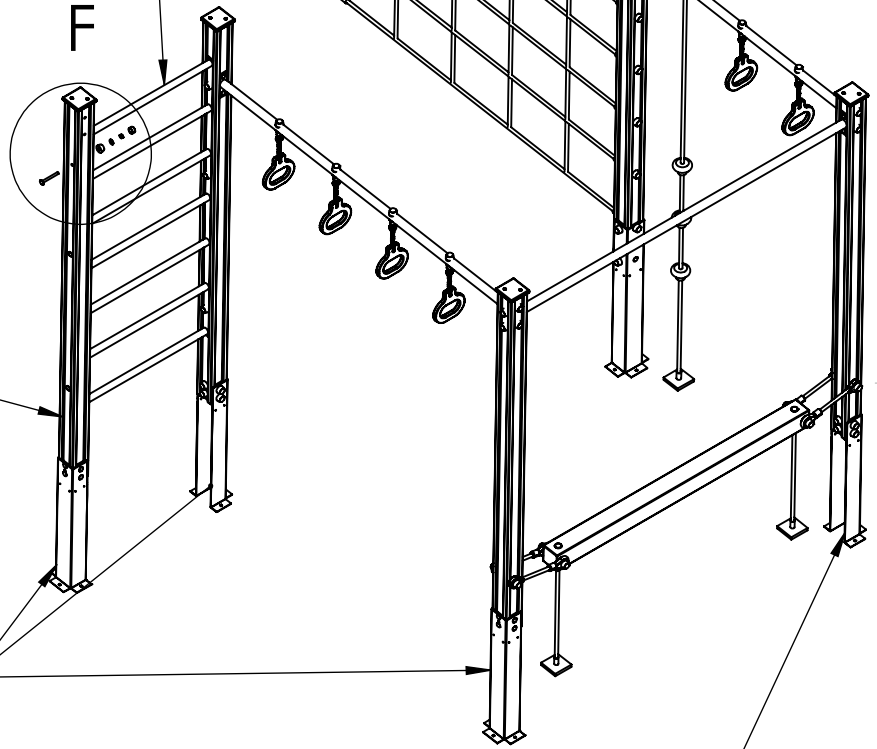
Hanging handle

|  |        |           |            |          |   |                |
|--|--------|-----------|------------|----------|---|----------------|
| UNLESS OTHERWISE SPECIFIED:<br>DIMENSIONS ARE IN MILLIMETERS<br>WEIGHT ARE IN KILOGRAMM                            |        |           |            |          | PART NUMBER / DWG NO.:<br><b>LM232</b>    |                |
|  | NAME   | SIGNATURE | DATE       | REVISION | DESCRIPTION:<br><b>Play centre Arthur</b> |                |
| DRAWN  | I.Agar |           | 30.03.2023 |          |   |                |
| APPV'D   |        |           |            |          |   |                |
|  <b>Tiptiptap</b> <sup>OU</sup> |        |           |            |          | MATERIAL:<br>wood, metal, plastic         |                |
|  |        |           |            |          | A4  |                |
| WEIGHT:  |        |           |            |          | SCALE: 1:35                               | SHEET 50 OF 66 |

**DETAIL F**  
SCALE 1 : 10




770x1732mm ladder, 7 tubes



U-profile groundfixing 750mm

U-profile groundfixing 750mm

|   |        |           |            |          |   |                |
|---|--------|-----------|------------|----------|---|----------------|
| UNLESS OTHERWISE SPECIFIED:<br>DIMENSIONS ARE IN MILLIMETERS<br>WEIGHT ARE IN KILOGRAMM                         |        |           |            |          | PART NUMBER / DWG NO.:<br><b>LM232</b>    |                |
|   | NAME   | SIGNATURE | DATE       | REVISION | DESCRIPTION:<br><b>Play centre Arthur</b> |                |
| DRAWN   | I.Agar |           | 30.03.2023 |          |   |                |
| APPV'D  |        |           |            |          |   |                |
|  <b>Tiptap</b> <sup>OO</sup> |        |           |            |          | MATERIAL:<br>wood, metal, plastic         |                |
|   |        |           |            |          | A4  |                |
| WEIGHT:   |        |           |            |          | SCALE: 1:35                               | SHEET 51 OF 66 |

1 2 3 4 5 6

A

A

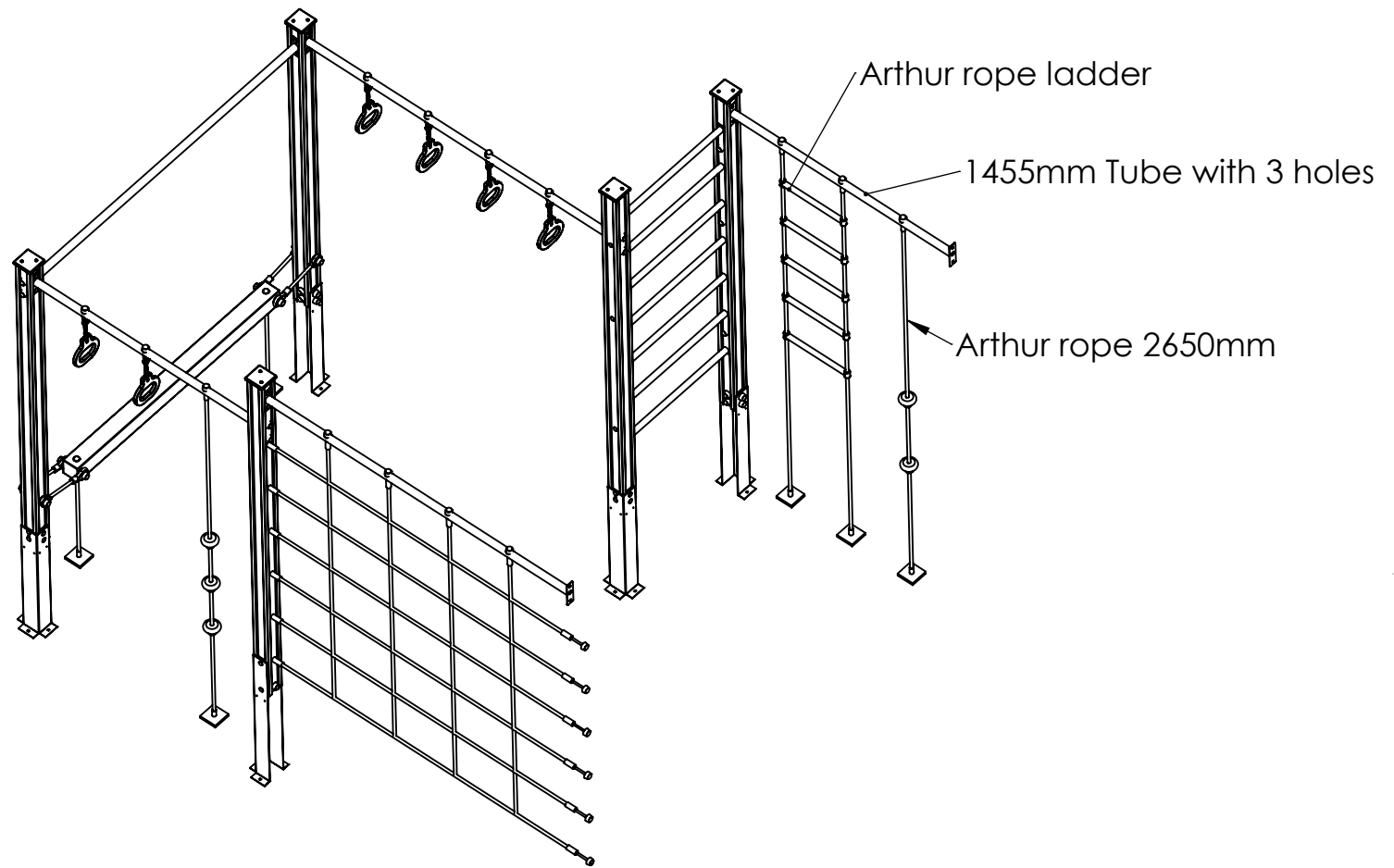
B

B

C

C

D



UNLESS OTHERWISE SPECIFIED:  
DIMENSIONS ARE IN MILLIMETERS  
WEIGHT ARE IN KILOGRAMM

PART NUMBER / DWG NO.:  
**LM232**

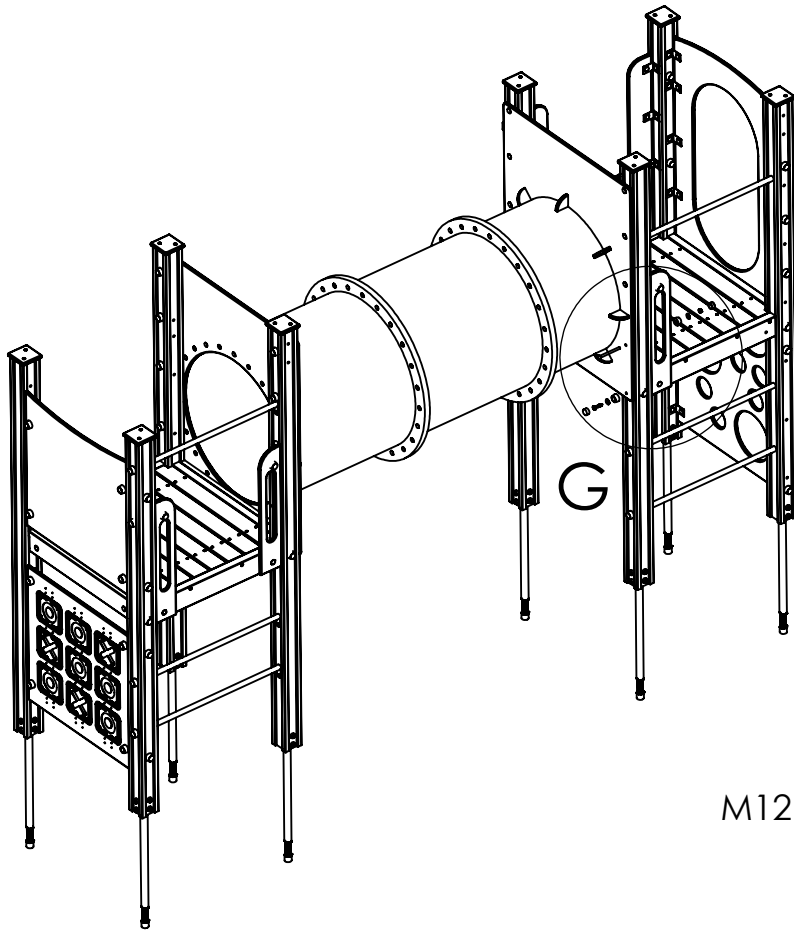
|        | NAME   | SIGNATURE | DATE       | REVISION |
|--------|--------|-----------|------------|----------|
| DRAWN  | I.Agar |           | 30.03.2023 |          |
| APPV'D |        |           |            |          |

DESCRIPTION:  
**Play centre Arthur**



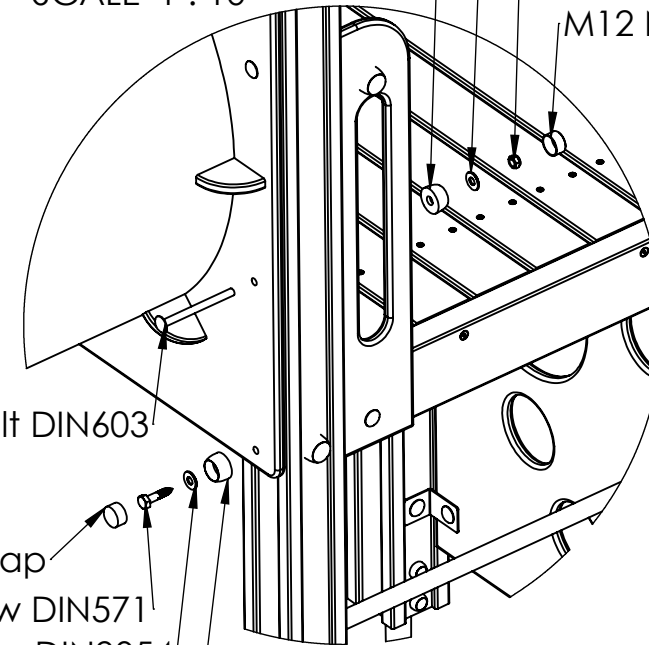
MATERIAL: wood, metal, plastic A4

1 2 WEIGHT: SCALE: 1:35 SHEET 52 OF 66



# DETAIL G

SCALE 1 : 10



M10x120 bolt DIN603

M12 Nut cover cap  
 10x45 screw DIN571  
 M10 Washer DIN9054  
 M12 Nut cover

UNLESS OTHERWISE SPECIFIED:  
 DIMENSIONS ARE IN MILLIMETERS  
 WEIGHT ARE IN KILOGRAMM

|        | NAME   | SIGNATURE | DATE       | REVISION |
|--------|--------|-----------|------------|----------|
| DRAWN  | I.Agar |           | 30.03.2023 |          |
| APPV'D |        |           |            |          |

PART NUMBER / DWG NO.: **LM232**

DESCRIPTION: **Play centre Arthur**



MATERIAL: **wood, metal, plastic** A4

WEIGHT: SCALE: 1:35 SHEET 53 OF 66

1 2 3 4 5 6

A

A

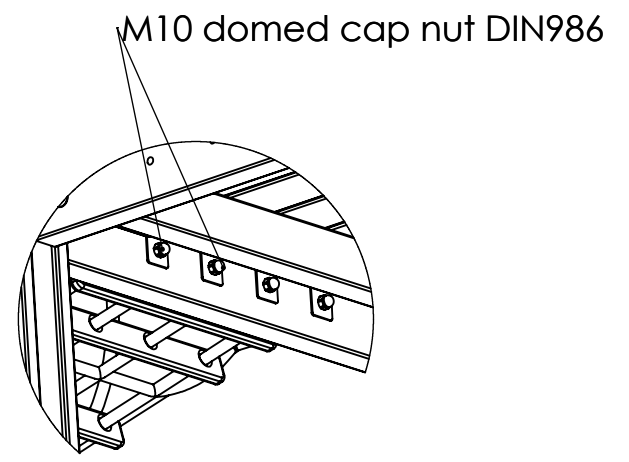
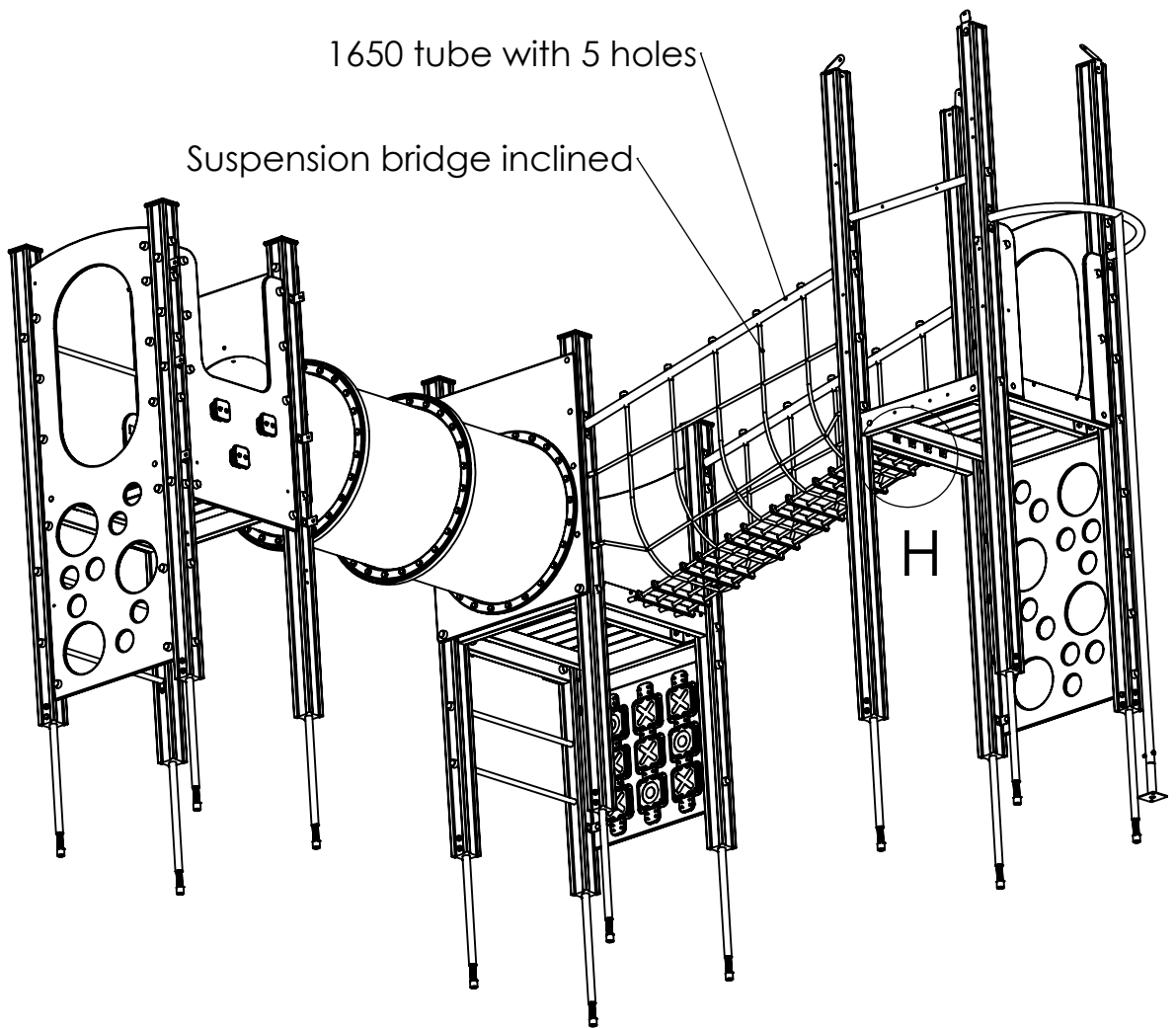
B

B

C

C

D



DETAIL H  
SCALE 1 : 10

UNLESS OTHERWISE SPECIFIED:  
DIMENSIONS ARE IN MILLIMETERS  
WEIGHT ARE IN KILOGRAMM

PART NUMBER / DWG NO.:  
**LM232**

|        | NAME   | SIGNATURE | DATE       | REVISION |
|--------|--------|-----------|------------|----------|
| DRAWN  | I.Agar |           | 30.03.2023 |          |
| APPV'D |        |           |            |          |

DESCRIPTION:  
**Play centre Arthur**



MATERIAL: wood, metal, plastic A4

1 2 3 4 5 6

A

A

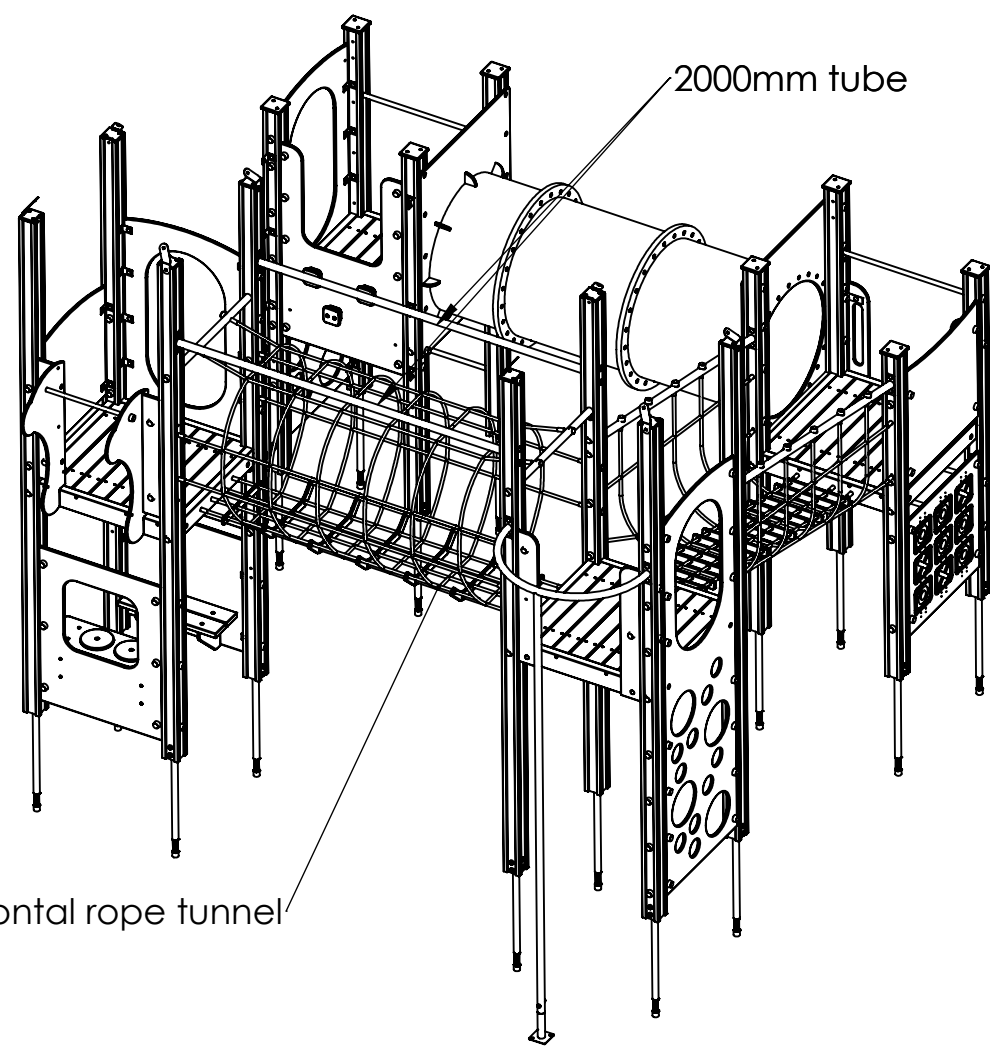
B

B

C


C

D

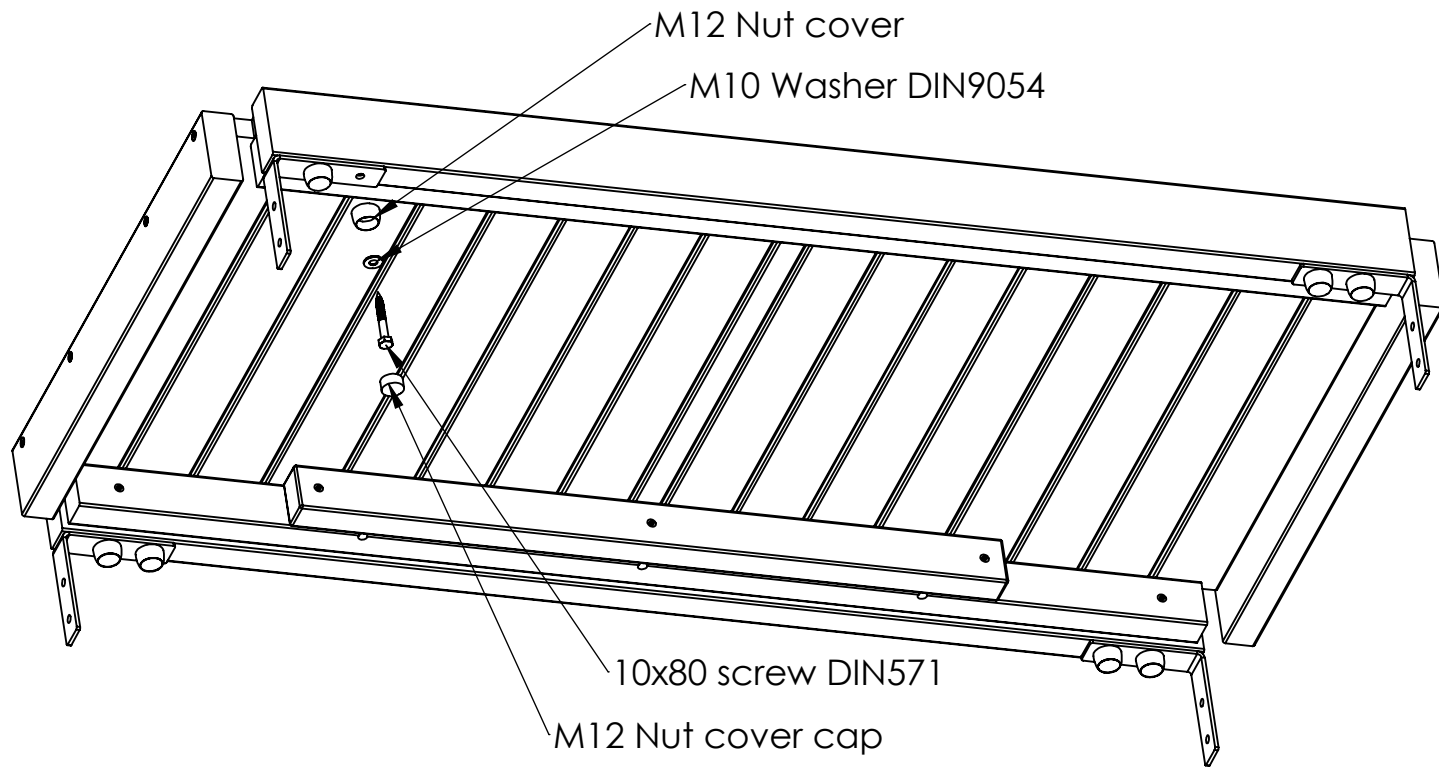


2000mm horizontal rope tunnel

2000mm tube

|  |        |           |            |          |   |             |
|--|--------|-----------|------------|----------|---|-------------|
| UNLESS OTHERWISE SPECIFIED:<br>DIMENSIONS ARE IN MILLIMETERS<br>WEIGHT ARE IN KILOGRAMM                            |        |           |            |          | PART NUMBER / DWG NO.:<br><b>LM232</b>    |             |
|  | NAME   | SIGNATURE | DATE       | REVISION | DESCRIPTION:<br><b>Play centre Arthur</b> |             |
| DRAWN  | I.Agar |           | 30.03.2023 |          |   |             |
| APPV'D   |        |           |            |          |   |             |
|  <b>Tiptiptap</b> <sup>OU</sup> |        |           |            |          | MATERIAL:<br>wood, metal, plastic         |             |
|  |        |           |            |          | A4  |             |
|  |        |           |            |          | WEIGHT:                                   | SCALE: 1:40 |
|  |        |           |            |          | SHEET 55 OF 66                            |             |

1 2



UNLESS OTHERWISE SPECIFIED:  
 DIMENSIONS ARE IN MILLIMETERS  
 WEIGHT ARE IN KILOGRAMM

PART NUMBER / DWG NO.: **LM232**

|        | NAME   | SIGNATURE | DATE       | REVISION |
|--------|--------|-----------|------------|----------|
| DRAWN  | I.Agar |           | 30.03.2023 |          |
| APPV'D |        |           |            |          |

DESCRIPTION: **Play centre Arthur**



|           |                      |                |
|-----------|----------------------|----------------|
| MATERIAL: | wood, metal, plastic | A4             |
| WEIGHT:   |                      | SCALE: 1:10    |
|           |                      | SHEET 56 OF 66 |



1 2 3 4 5 6

A

A

B

B

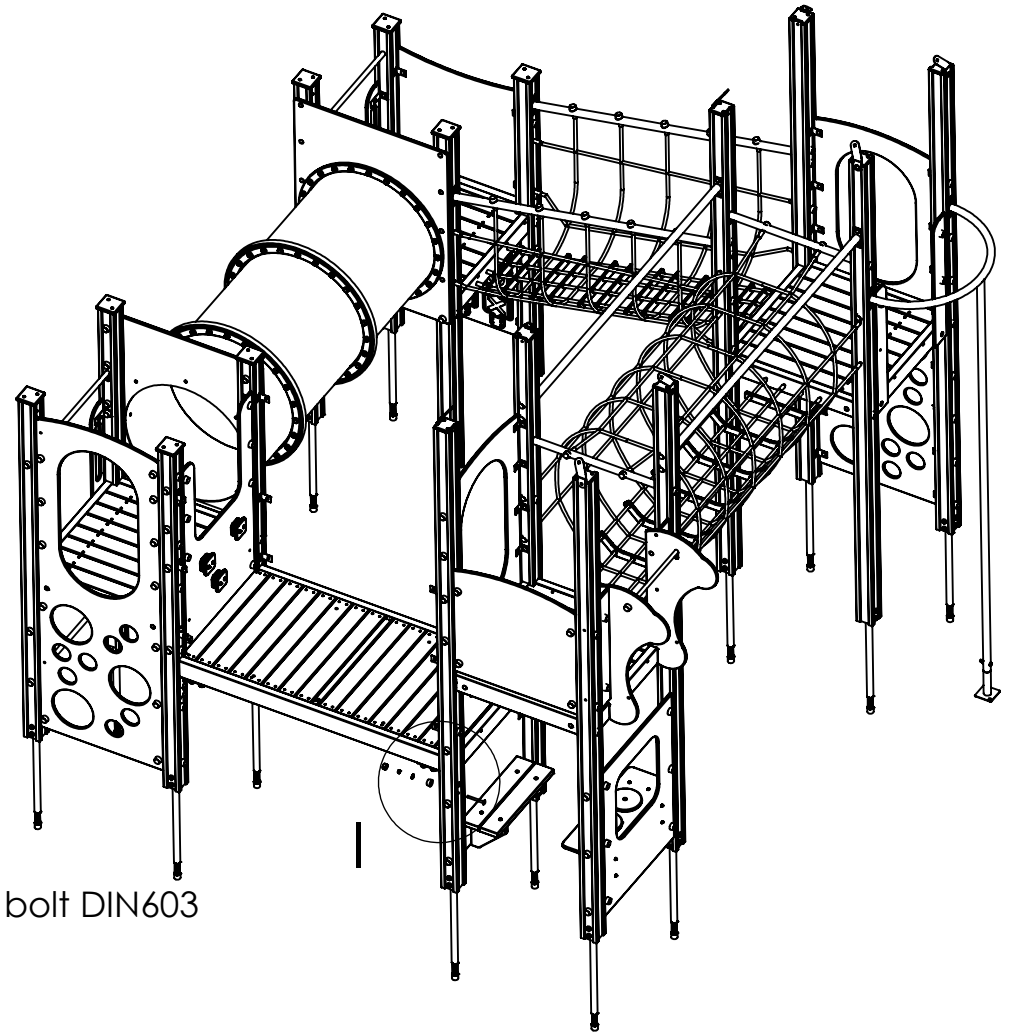
C

C

D

# DETAIL I

SCALE 1 : 10



M12 Nut cover cap

M10 Nut DIN985

M10 Washer DIN9054

M12 Nut cover

M10x100 bolt DIN603

UNLESS OTHERWISE SPECIFIED:  
DIMENSIONS ARE IN MILLIMETERS  
WEIGHT ARE IN KILOGRAMM

|        | NAME   | SIGNATURE | DATE       | REVISION |
|--------|--------|-----------|------------|----------|
| DRAWN  | I.Agar |           | 30.03.2023 |          |
| APPV'D |        |           |            |          |

PART NUMBER / DWG NO.:  
**LM232**

DESCRIPTION:  
**Play centre Arthur**

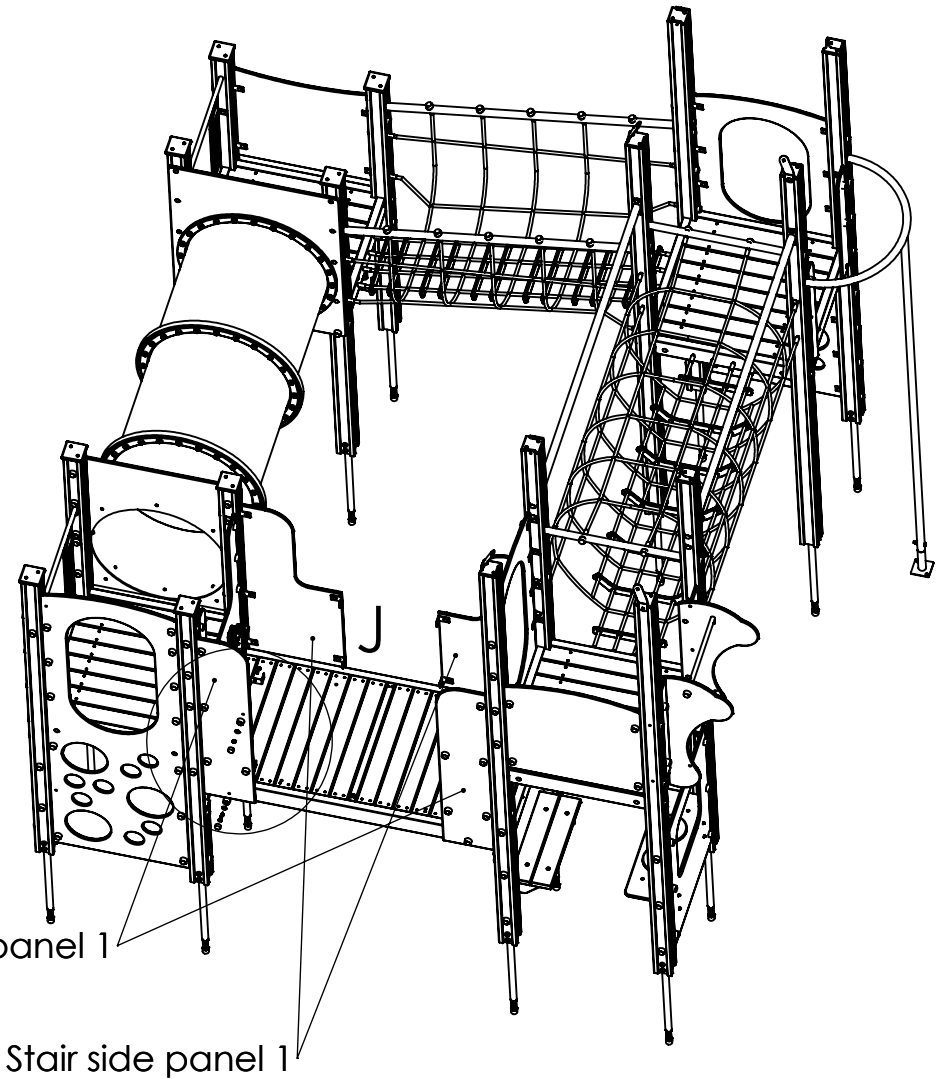
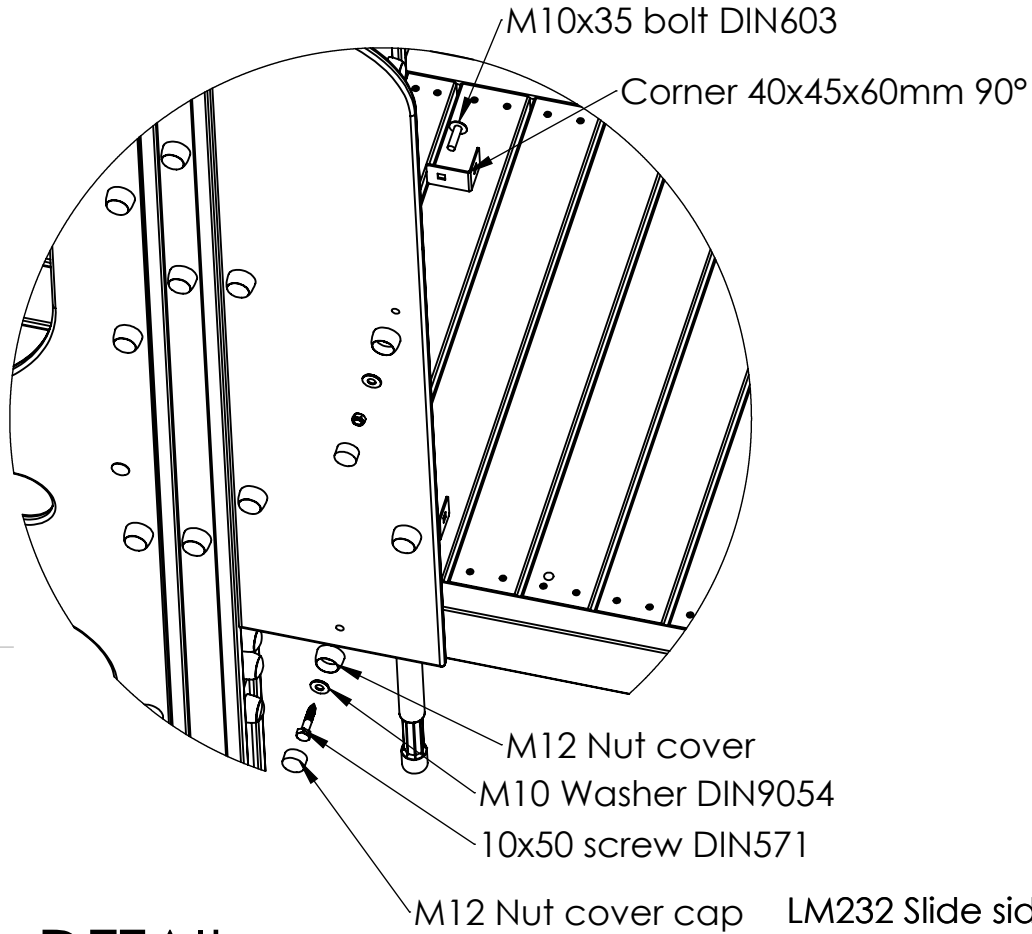


MATERIAL:  
wood, metal, plastic


A4

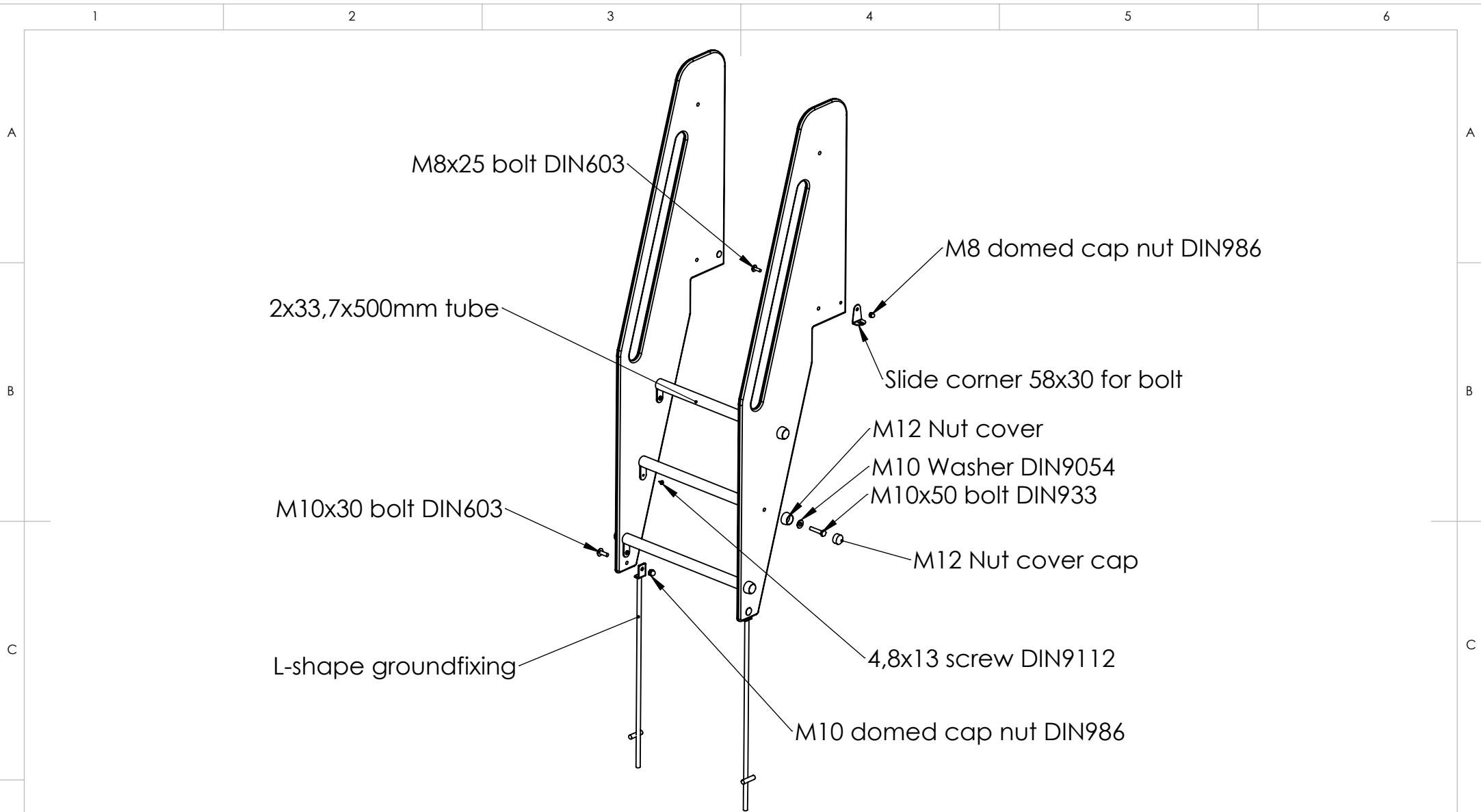
WEIGHT: SCALE: 1:40 SHEET 57 OF 66


1 2



**DETAIL J**  
SCALE 1 : 10

|  |        |           |            |          |   |                      |
|--|--------|-----------|------------|----------|---|----------------------|
| UNLESS OTHERWISE SPECIFIED:<br>DIMENSIONS ARE IN MILLIMETERS<br>WEIGHT ARE IN KILOGRAMM              |        |           |            |          | PART NUMBER / DWG NO.:<br><b>LM232</b>    |                      |
|  | NAME   | SIGNATURE | DATE       | REVISION | DESCRIPTION:<br><b>Play centre Arthur</b> |                      |
| DRAWN  | I.Agar |           | 30.03.2023 |          |   |                      |
| APPV'D   |        |           |            |          |   |                      |
|  <b>Tiptap</b> OÜ |        |           |            |          | MATERIAL:                                 | wood, metal, plastic |
|  |        |           |            |          | WEIGHT:                                   | SCALE: 1:40          |

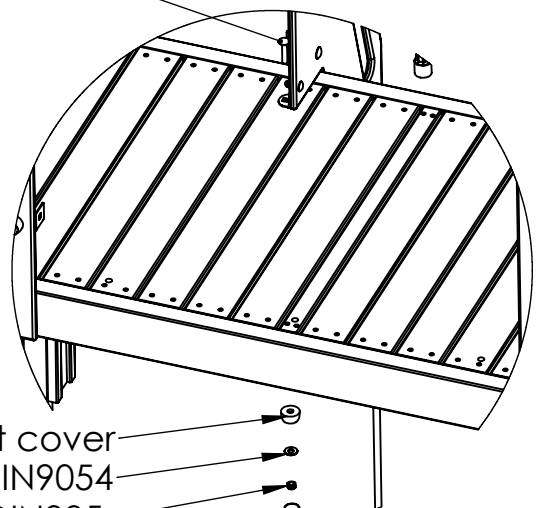


|   |        |           |            |          |   |             |
|---|--------|-----------|------------|----------|---|-------------|
| UNLESS OTHERWISE SPECIFIED:<br>DIMENSIONS ARE IN MILLIMETERS<br>WEIGHT ARE IN KILOGRAMM                         |        |           |            |          | PART NUMBER / DWG NO.:<br><b>LM232</b>    |             |
|   | NAME   | SIGNATURE | DATE       | REVISION | DESCRIPTION:<br><b>Play centre Arthur</b> |             |
| DRAWN   | I.Agar |           | 30.03.2023 |          |   |             |
| APPV'D  |        |           |            |          |   |             |
|  <b>Tiptap</b> <sup>OO</sup> |        |           |            |          | MATERIAL:<br>wood, metal, plastic         |             |
|   |        |           |            |          | A4  |             |
|   |        |           |            |          | WEIGHT:                                   | SCALE: 1:16 |
|   |        |           |            |          | SHEET 59 OF 66                            |             |

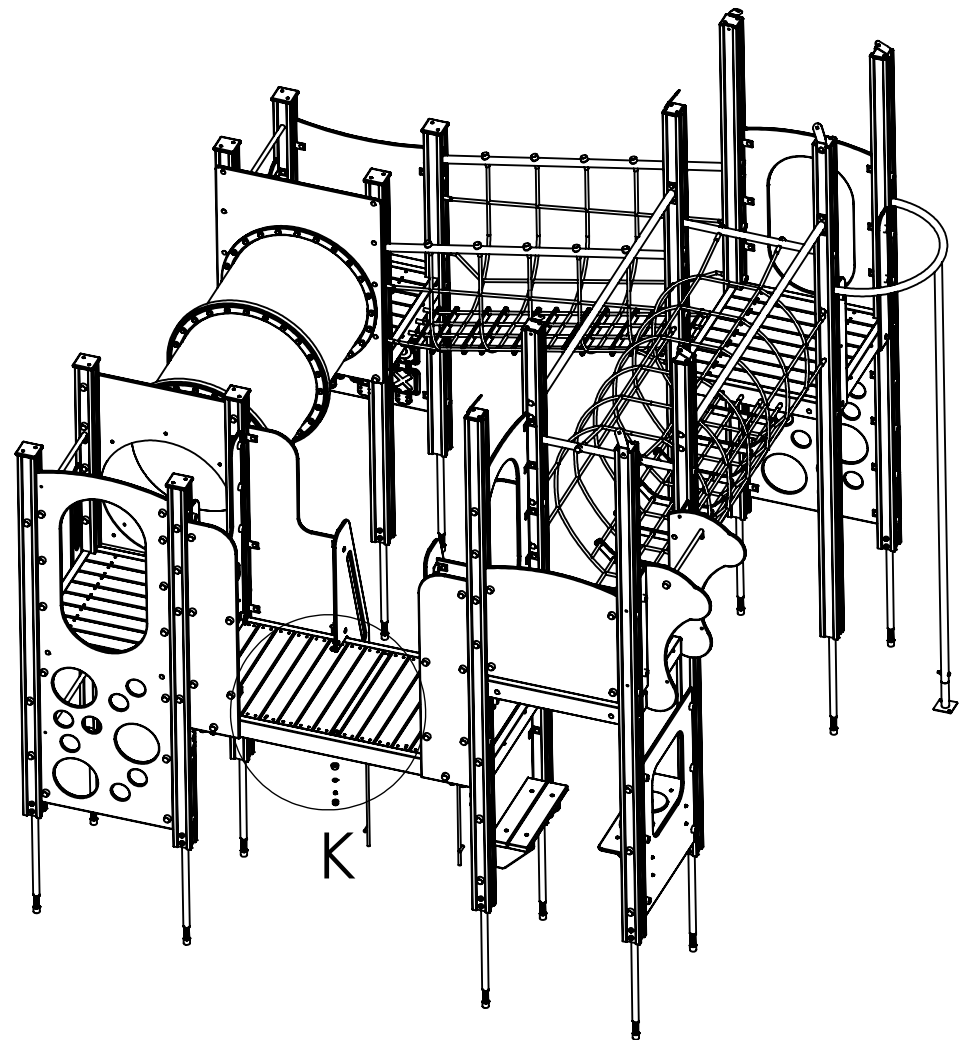
# DETAIL K


SCALE 1 : 15

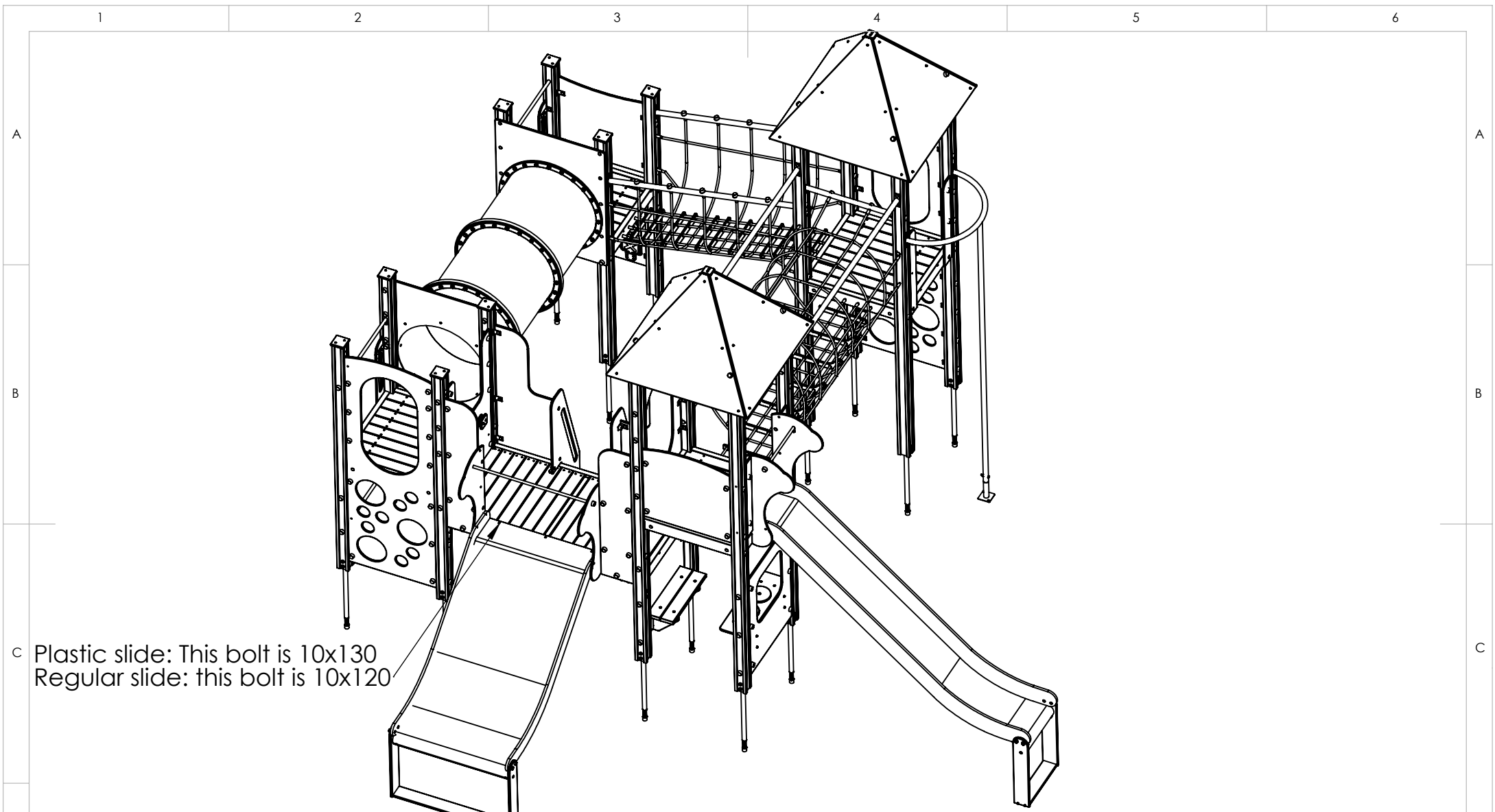
M10x50 bolt DIN603



- M12 Nut cover
- M10 Washer DIN9054
- M10 Nut DIN985
- M12 Nut cover cap



|  |        |           |            |          |   |  |
|--|--------|-----------|------------|----------|---|--|
| UNLESS OTHERWISE SPECIFIED:<br>DIMENSIONS ARE IN MILLIMETERS<br>WEIGHT ARE IN KILOGRAMM                            |        |           |            |          | PART NUMBER / DWG NO.:<br><b>LM232</b>    |  |
|  | NAME   | SIGNATURE | DATE       | REVISION | DESCRIPTION:<br><b>Play centre Arthur</b> |  |
| DRAWN  | I.Agar |           | 30.03.2023 |          |   |  |
| APPV'D   |        |           |            |          |   |  |
|  <b>Tiptiptap</b> <sup>OU</sup> |        |           |            |          | MATERIAL:<br>wood, metal, plastic         |  |
|  |        |           |            |          | WEIGHT:                                   |  |



C Plastic slide: This bolt is 10x130  
 Regular slide: this bolt is 10x120

UNLESS OTHERWISE SPECIFIED:  
 DIMENSIONS ARE IN MILLIMETERS  
 WEIGHT ARE IN KILOGRAMM

|        | NAME   | SIGNATURE | DATE       | REVISION |
|--------|--------|-----------|------------|----------|
| DRAWN  | I.Agar |           | 30.03.2023 |          |
| APPV'D |        |           |            |          |



PART NUMBER / DWG NO.: **LM232**

DESCRIPTION: **Play centre Arthur**

MATERIAL: **wood, metal, plastic** A4

WEIGHT: SCALE: 1:40 SHEET 61 OF 66

Slide to platform assembly

In the case of plastic slide, these bolts are M10x60 DIN603

M10x50 bolt DIN603

DETAIL A  
SCALE 1 : 8

M8x16 DIN7380

A

Slide corner 58x30 for bolt

M8x45 bolt DIN603

M8 Nut cover

M8 Nut DIN985

M8 Nut cover cap

M8 Nut DIN985

M8x30 bolt DIN603

DETAIL B  
SCALE 1 : 10

M8x50 bolt DIN933

- M12 Nut cover
- M10 Washer DIN9054
- M10 Nut DIN985
- M12 Nut cover cap

UNLESS OTHERWISE SPECIFIED:  
DIMENSIONS ARE IN MILLIMETERS  
WEIGHT ARE IN KILOGRAMM

PART NUMBER / DWG NO.:

LM232

|        | NAME   | SIGNATURE | DATE       | REVISION |
|--------|--------|-----------|------------|----------|
| DRAWN  | I.Agar |           | 30.03.2023 |          |
| APPV'D |        |           |            |          |

DESCRIPTION:

Play centre Arthur

MATERIAL:

wood, metal, plastic

A4

WEIGHT:

SCALE: 1:14

SHEET 62 OF 66



Tiptaptap OÜ

Slide to platform assembly

DETAIL B  
SCALE 2 : 15

In the case of plastic slide, these bolts are M10x60 DIN603

4,8x40 Screw DIN7996  
M10x50 bolt DIN603

M8x16 DIN7380

Slide corner 58x30 for screw

- M12 Nut cover
- M10 Washer DIN9054
- M10 Nut DIN985
- M12 Nut cover cap

M8x45 bolt DIN603  
M8 Nut DIN985  
M8 Nut cover  
M8 Nut DIN985  
M8 Nut cover cap  
M8x30 bolt DIN603

DETAIL C  
SCALE 1 : 12

M8x50 bolt DIN933

UNLESS OTHERWISE SPECIFIED:  
DIMENSIONS ARE IN MILLIMETERS  
WEIGHT ARE IN KILOGRAMM

PART NUMBER / DWG NO.:

LM232

|        | NAME    | SIGNATURE | DATE       | REVISION |
|--------|---------|-----------|------------|----------|
| DRAWN  | I. Agar |           | 30.03.2023 |          |
| APPV'D |         |           |            |          |

DESCRIPTION:

Play centre Arthur

MATERIAL:

wood, metal, plastic

A4

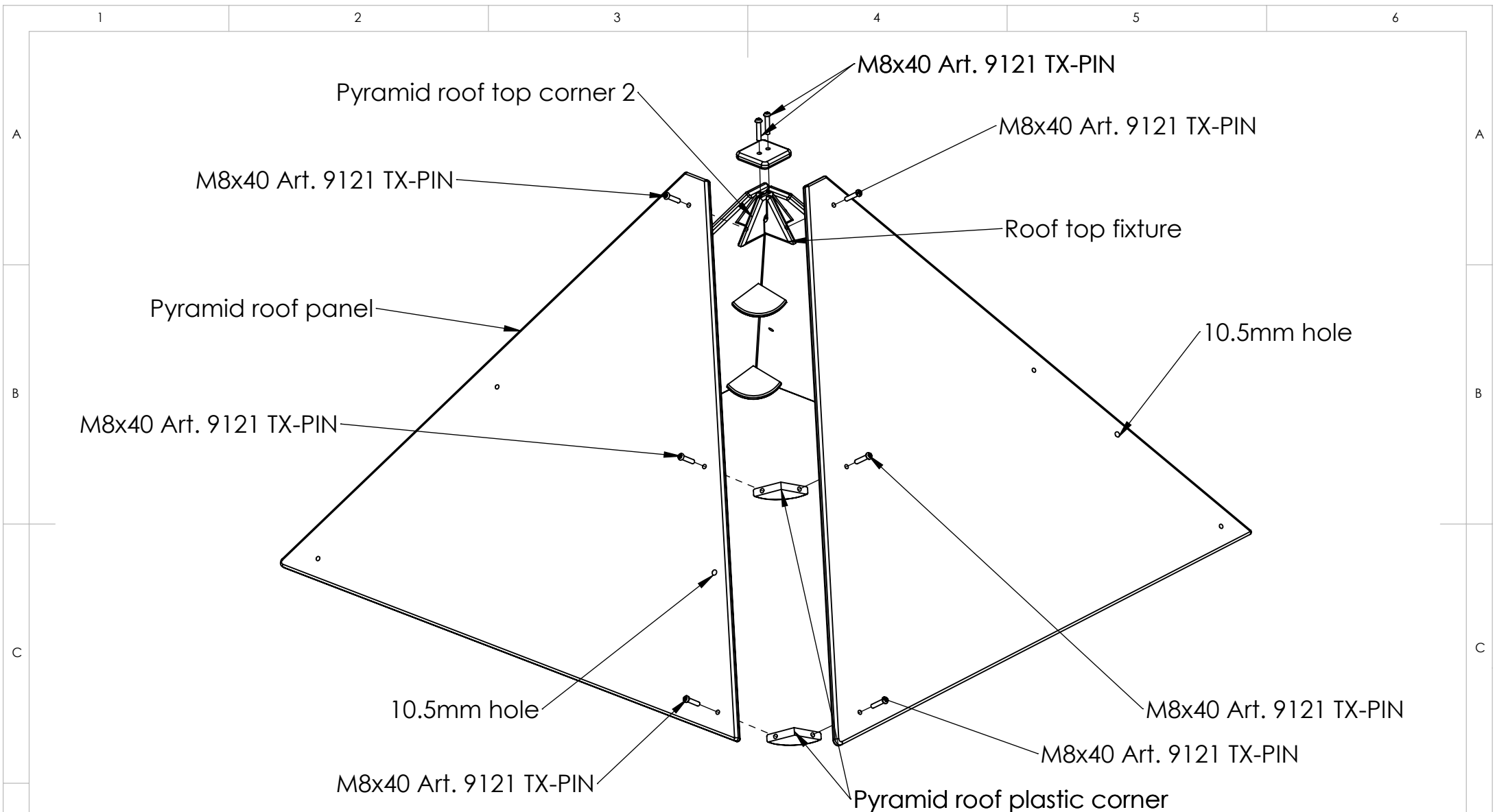
WEIGHT:


SCALE: 1:15

SHEET 63 OF 66

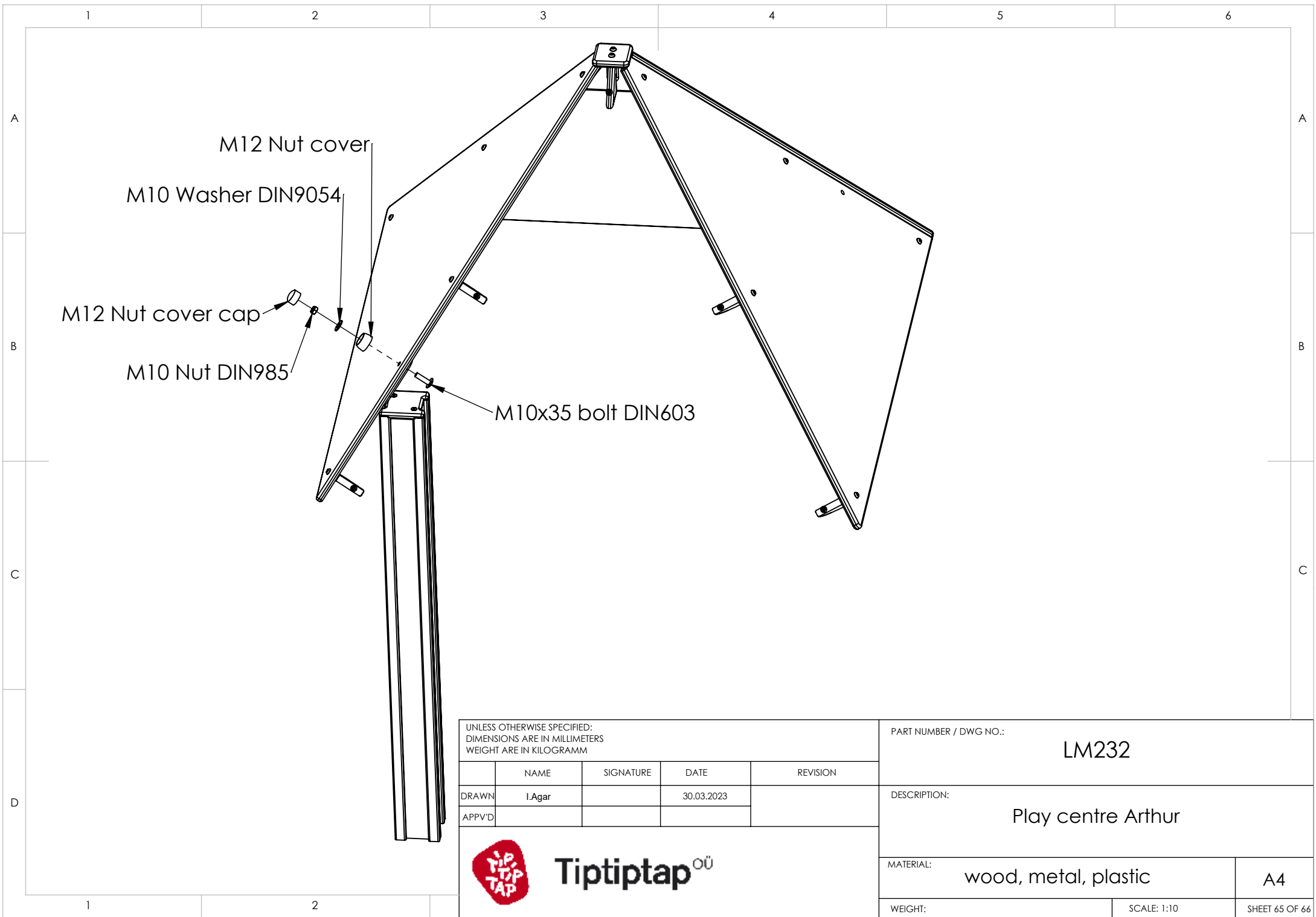


Tiptap OÜ



|   |        |           |            |          |                        |             |
|---|--------|-----------|------------|----------|------------------------|-------------|
| UNLESS OTHERWISE SPECIFIED:<br>DIMENSIONS ARE IN MILLIMETERS<br>WEIGHT ARE IN KILOGRAMM                         |        |           |            |          | PART NUMBER / DWG NO.: |             |
|   |        |           |            |          | LM232                  |             |
|   | NAME   | SIGNATURE | DATE       | REVISION | DESCRIPTION:           |             |
| DRAWN   | I.Agar |           | 30.03.2023 |          | Play centre Arthur     |             |
| APPV'D  |        |           |            |          | MATERIAL:              |             |
|  <b>Tiptap</b> <sup>OU</sup> |        |           |            |          | wood, metal, plastic   |             |
|   |        |           |            |          | A4                     |             |
|   |        |           |            |          | WEIGHT:                | SCALE: 1:10 |
|   |        |           |            |          | SHEET 64 OF 66         |             |





UNLESS OTHERWISE SPECIFIED:  
 DIMENSIONS ARE IN MILLIMETERS  
 WEIGHT ARE IN KILOGRAMM

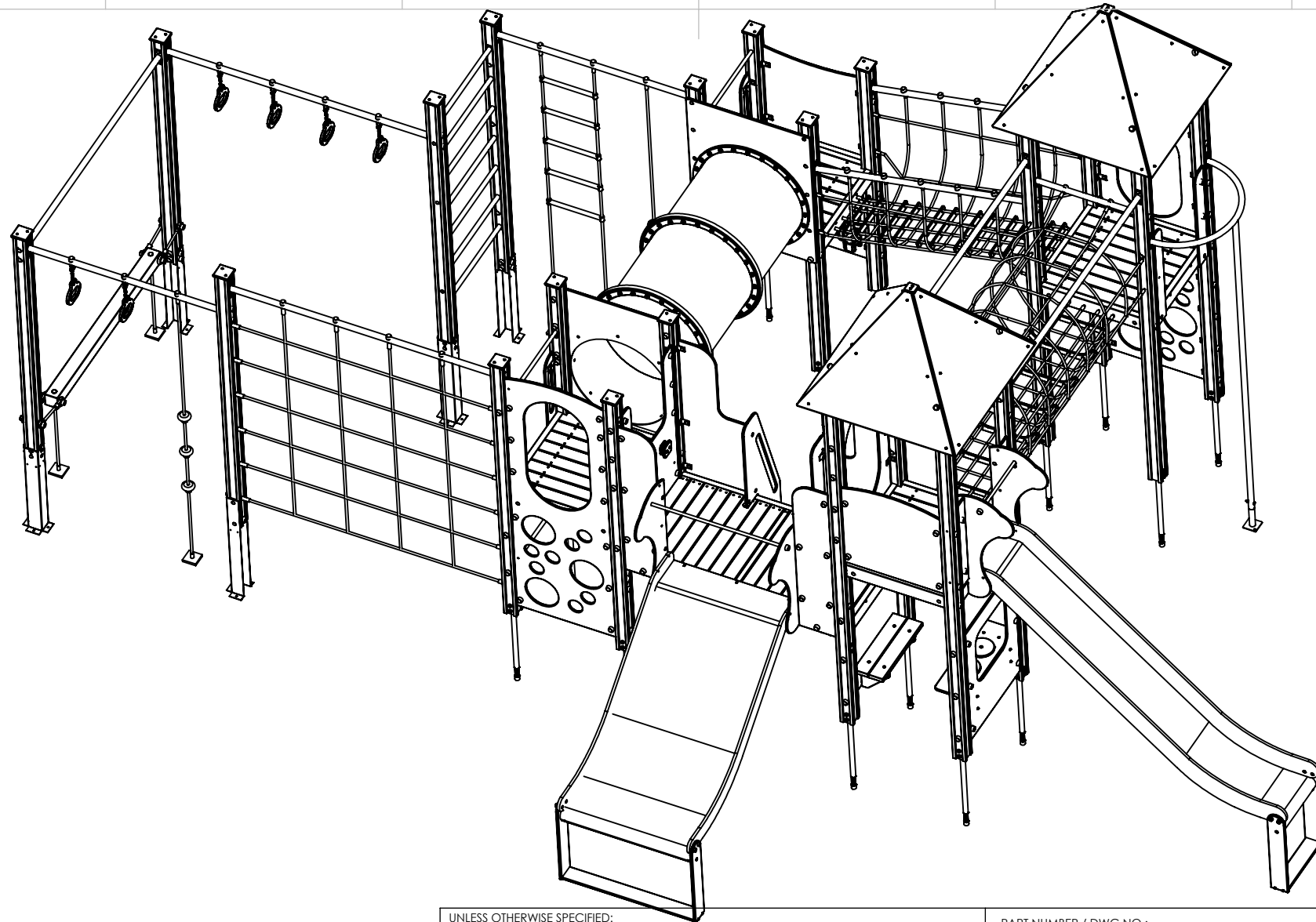
PART NUMBER / DWG NO.:  
**LM232**

|        | NAME   | SIGNATURE | DATE       | REVISION |
|--------|--------|-----------|------------|----------|
| DRAWN  | I.Agar |           | 30.03.2023 |          |
| APPV'D |        |           |            |          |

DESCRIPTION:  
**Play centre Arthur**



|           |                      |                |
|-----------|----------------------|----------------|
| MATERIAL: | wood, metal, plastic | A4             |
| WEIGHT:   | SCALE: 1:10          | SHEET 65 OF 66 |



UNLESS OTHERWISE SPECIFIED:  
 DIMENSIONS ARE IN MILLIMETERS  
 WEIGHT ARE IN KILOGRAMM

|        | NAME   | SIGNATURE | DATE       | REVISION |
|--------|--------|-----------|------------|----------|
| DRAWN  | I.Agar |           | 30.03.2023 |          |
| APPV'D |        |           |            |          |



**Tiptap** <sup>OU</sup>

PART NUMBER / DWG NO.:

LM232

DESCRIPTION:

Play centre Arthur

MATERIAL:

wood, metal, plastic

A4

WEIGHT:

SCALE: 1:40

SHEET 66 OF 66