

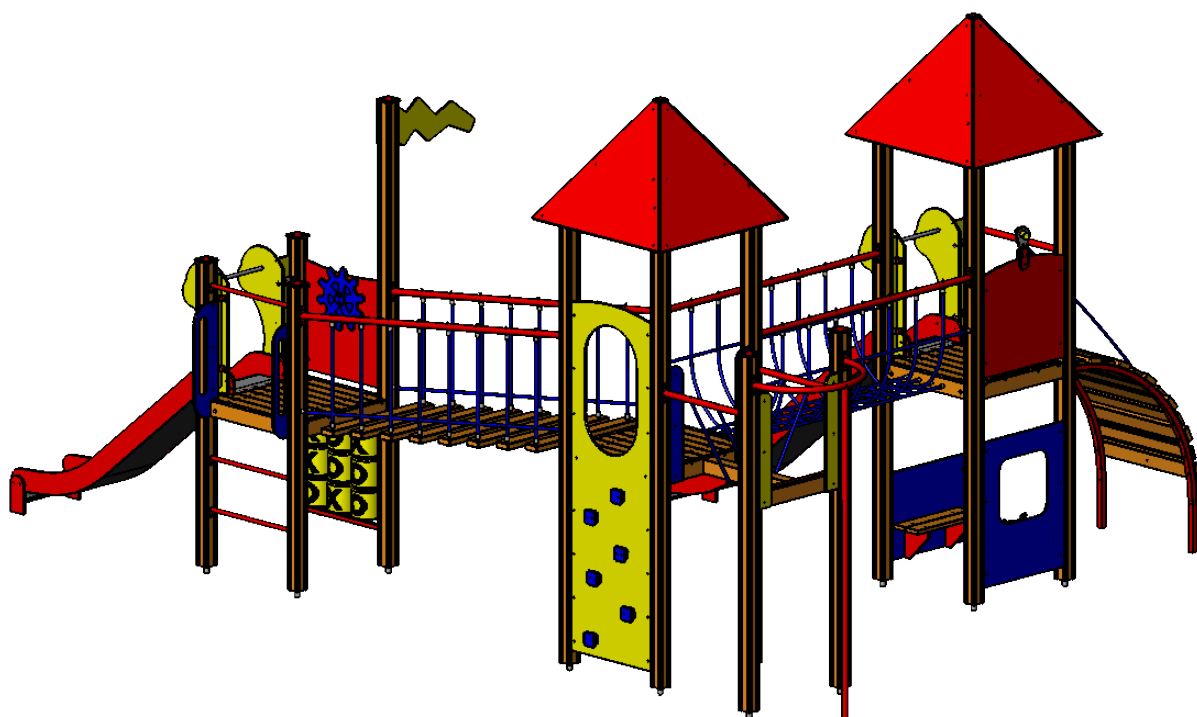
A

B

C

D

E



UNLESS OTHERWISE SPECIFIED:
 DIMENSIONS ARE IN MILLIMETERS
 WEIGHT ARE IN KILOGRAMM

Product code:

LM226-1

NAME

SIGNATURE

DATE

DRAWN

I.Agar

19.11.2024

DESCRIPTION:

Play centre Evelin



Tiptiptap^{oü}

A4

WEIGHT:

SCALE: 1:50

SHEET 1 OF 31

Safety area

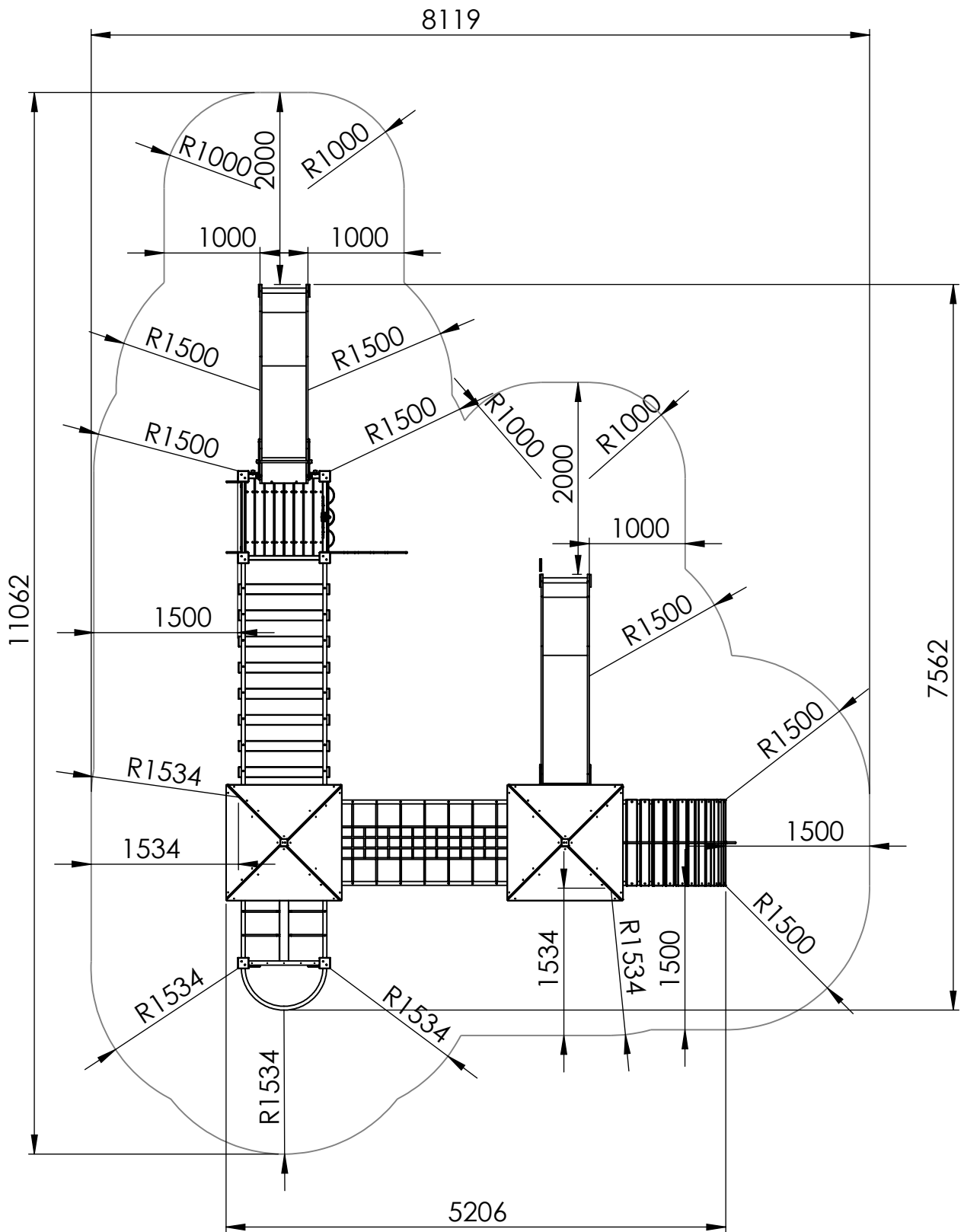
A

B

C

D

E



UNLESS OTHERWISE SPECIFIED:
 DIMENSIONS ARE IN MILLIMETERS
 WEIGHT ARE IN KILOGRAMM

Product code:

LM226-1

NAME

SIGNATURE

DATE

DRAWN

I.Agar

19.11.2024

DESCRIPTION:

Play centre Evelin

F



Tiptap ^{OO}

WEIGHT:

SCALE: 1:60

A4

SHEET 2 OF 31

Foundation

8119

A

B

C

D

E

11062

850

2542

850

850

470

830

425

1933

2303

850

850

2080

850

1194

Depth of foundation: 600mm

UNLESS OTHERWISE SPECIFIED:
DIMENSIONS ARE IN MILLIMETERS
WEIGHT ARE IN KILOGRAMM

Product code:

LM226-1

NAME

SIGNATURE

DATE

DRAWN

I.Agar

19.11.2024

DESCRIPTION:

Play centre Evelin

F



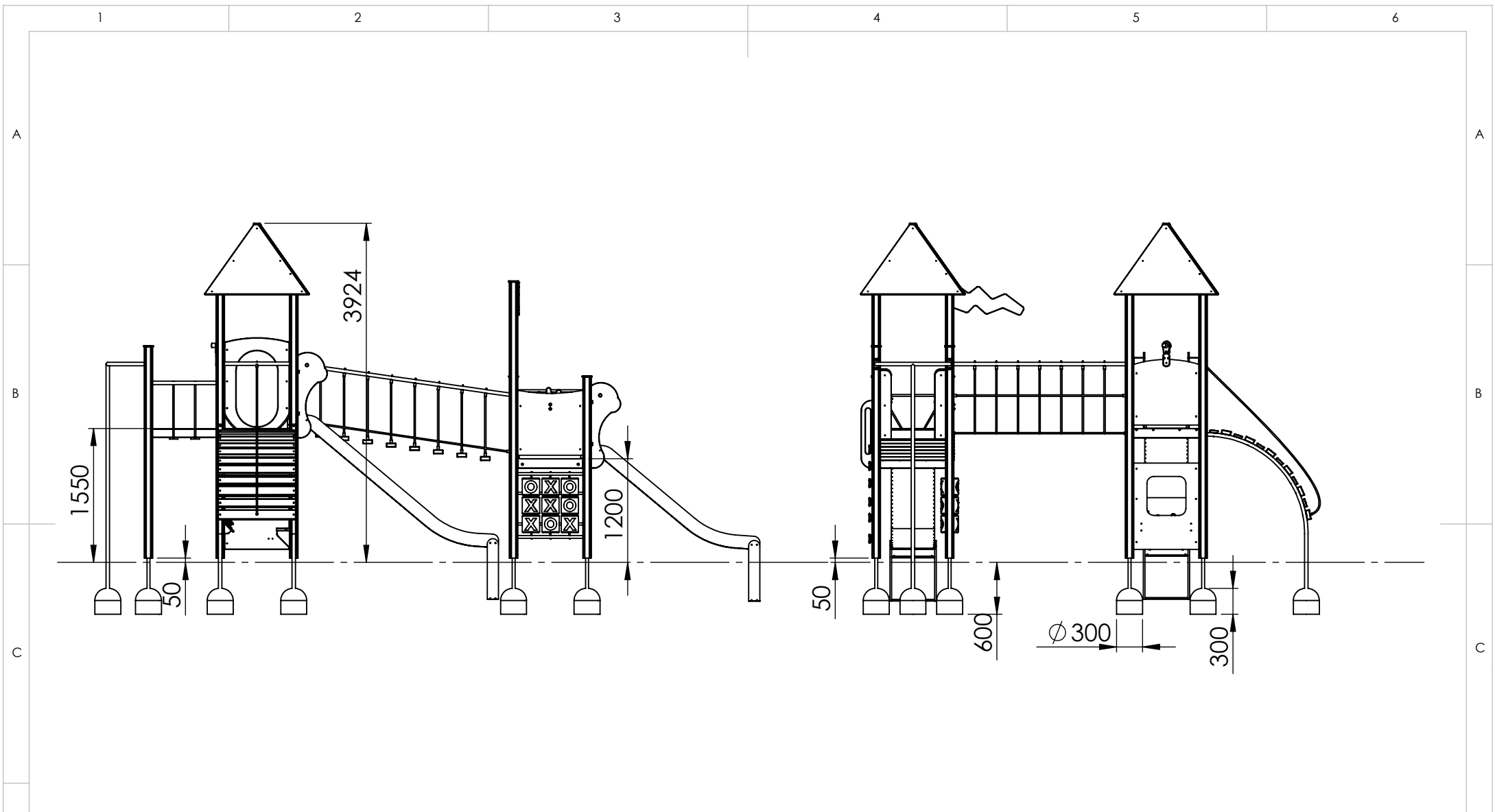
Tiptap^{ou}

WEIGHT:

SCALE: 1:60

A4

SHEET 3 OF 31



UNLESS OTHERWISE SPECIFIED:
 DIMENSIONS ARE IN MILLIMETERS
 WEIGHT ARE IN KILOGRAMM

	NAME	SIGNATURE	DATE
DRAWN	I.Agar		19.11.2024

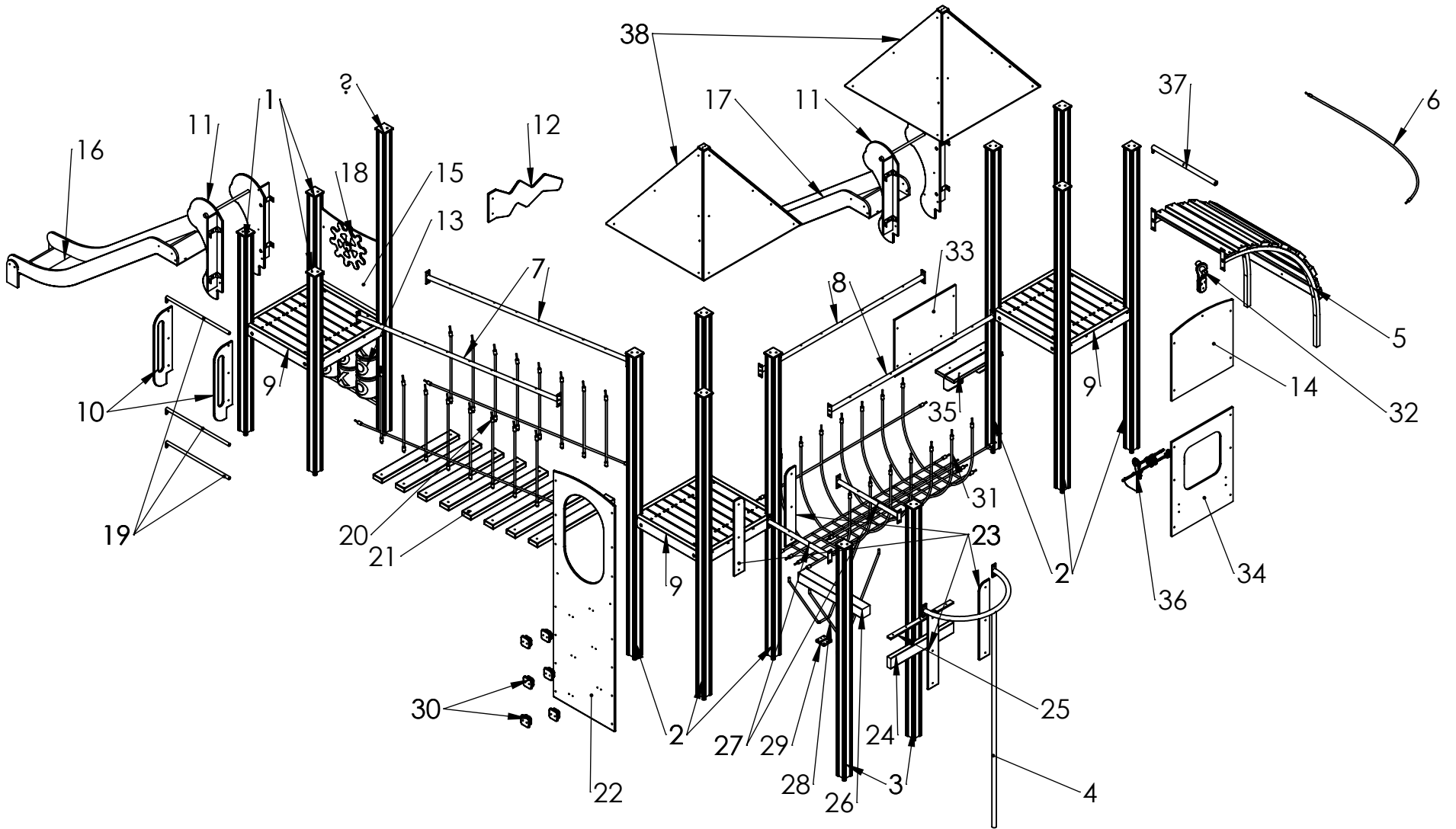


Product code: **LM226-1**

DESCRIPTION: **Play centre Evelin**

A4

WEIGHT: SCALE: 1:60 SHEET 4 OF 31



UNLESS OTHERWISE SPECIFIED:
 DIMENSIONS ARE IN MILLIMETERS
 WEIGHT ARE IN KILOGRAMM

	NAME	SIGNATURE	DATE
DRAWN	I.Agar		19.11.2024



Product code: **LM226-1**

DESCRIPTION: **Play centre Evelin**

WEIGHT:	SCALE: 1:50	A4
		SHEET 5 OF 31

	1	2	3	4
	ITEM NO.	PART NUMBER		QTY.
A	1	post 98x98x2100		3
	2	post 98x98x3200		9
	3	post 98x98x2450		2
	4	Climbing pole for 1550 platform		1
	5	LM226-1 curved ramp		1
	6	Rope for ramp		1
B	7	inclined beam d.40x2487, 8 holes		2
	8	beam 40x2000, 7 holes		2
	9	platform		3
	10	handle		2
	11	slide guard block		2
	12	flag		1
C	13	OXO spinner		1
	14	Upward curved panel with binoculars, lower hole 100mm		1
	15	downward curved with wheel, lower hole 70mm		1
	16	slide h_1200		1
	17	slide h_1550		1
	18	Big captain wheel		1
D	19	Tube D25x770		3
	20	LM226-1 ropes for step bridge		1
	21	LM226-1 step for bridge 45x110x950		8
	22	climbing wall 750x2450		1
	23	LM226-1 climbing pole side panels		4
	24	LM226-1 45x110x770 board		1
E	25	LM226-1 board cover		1
	26	LM226-1 98x98x785 beam for bridge		1
	27	LM226-1 beam with 2 holes 750mm		2
	28	LM226-1 rope for beam bridge		2
	29	LM226-1 Plastic for beam bridge ropes		2
	30	Playgroun climbing Grip		6
F	31	LM226-1 net bridge		1
	32	Binoculars 1		1
	33	retangle panel with seat, lower hole 100mm		1
	34	LM226-1 cocpit panel		1
	35	playcorner-bench		1
	36	Cockpit		1
	37	quardrail d40x770 with 1 hole		1
	38	roof triangle		2

UNLESS OTHERWISE SPECIFIED:
DIMENSIONS ARE IN MILLIMETERS
WEIGHT ARE IN KILOGRAMM

Product code:

LM226-1

NAME

SIGNATURE

DATE

DRAWN

I.Agar

19.11.2024

DESCRIPTION:

Play centre Evelin



Tiptap ^{OU}

A4

WEIGHT:

SCALE: 1:50

SHEET 6 OF 31

A

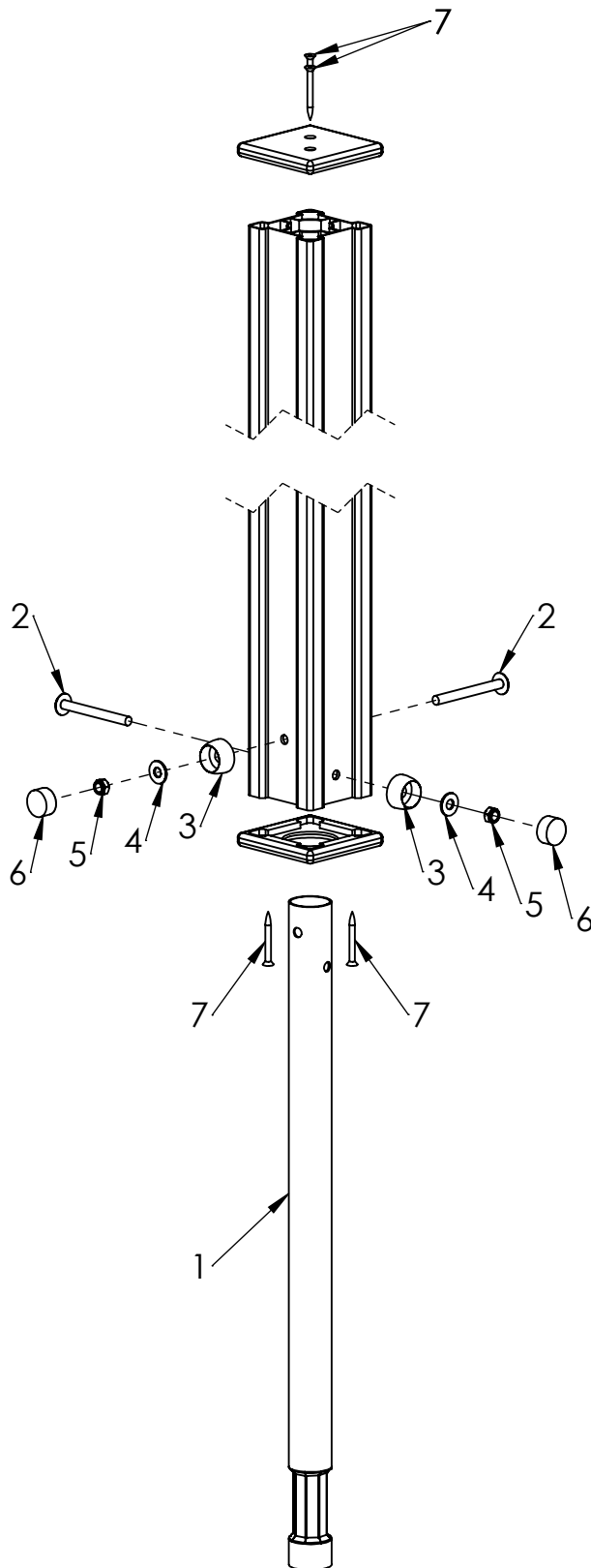
B

C

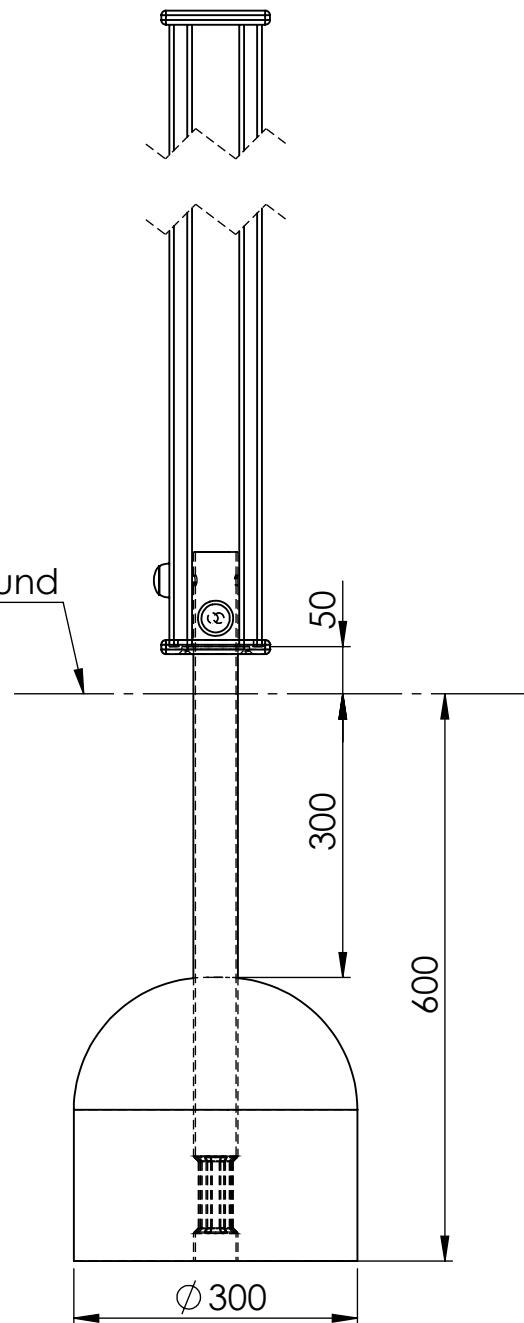
D

E

F



Ground



ITEM NO.	PART NUMBER
1	metal ground fixing L_750
2	bolt DIN603 M10x100
3	nut cover M12
4	Washer M10 DIN9054
5	nut DIN985 M10
6	nut cover cap M12
7	woodscrew 6x60

UNLESS OTHERWISE SPECIFIED:
DIMENSIONS ARE IN MILLIMETERS
WEIGHT ARE IN KILOGRAMM

Product code:

LM226-1

DESCRIPTION:

Play centre Evelin
connecting metal ground fixing to aluminium post

WEIGHT:

SCALE: 1:8

SHEET 7 OF 31



Tiptap ^{ÖÜ}

A4

A

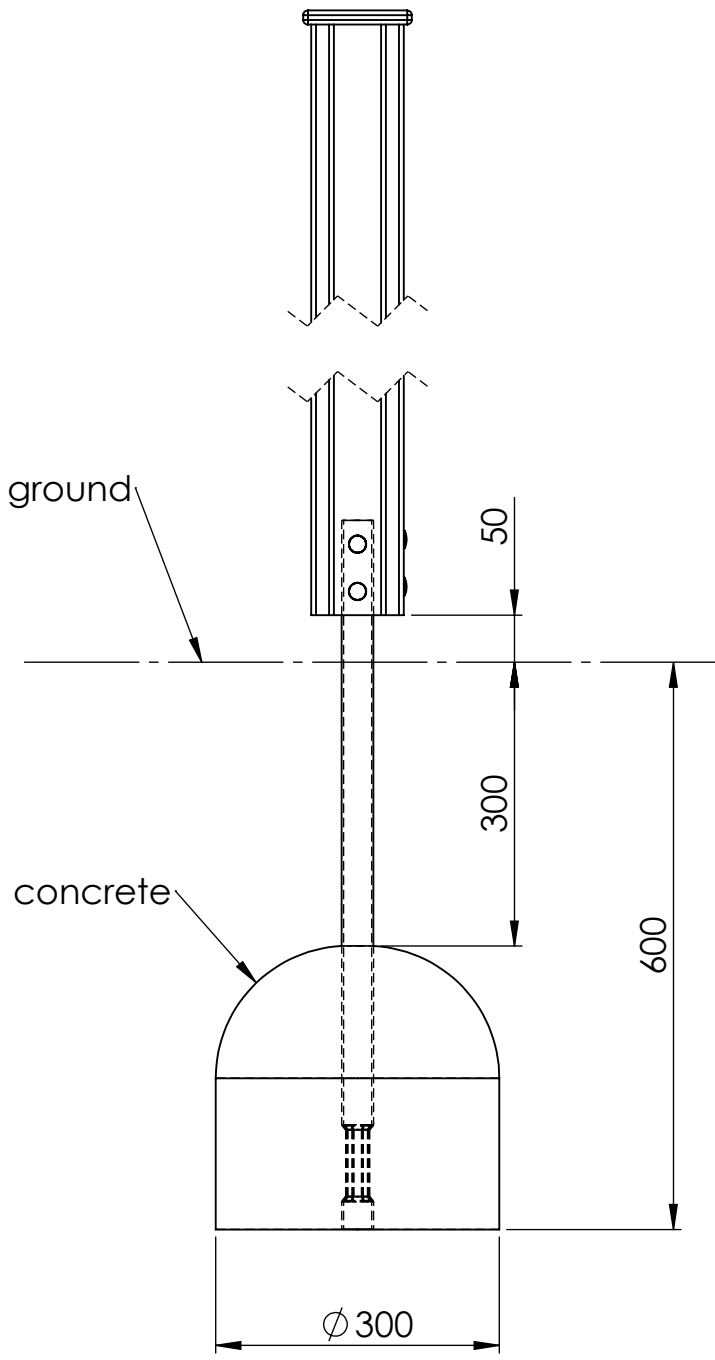
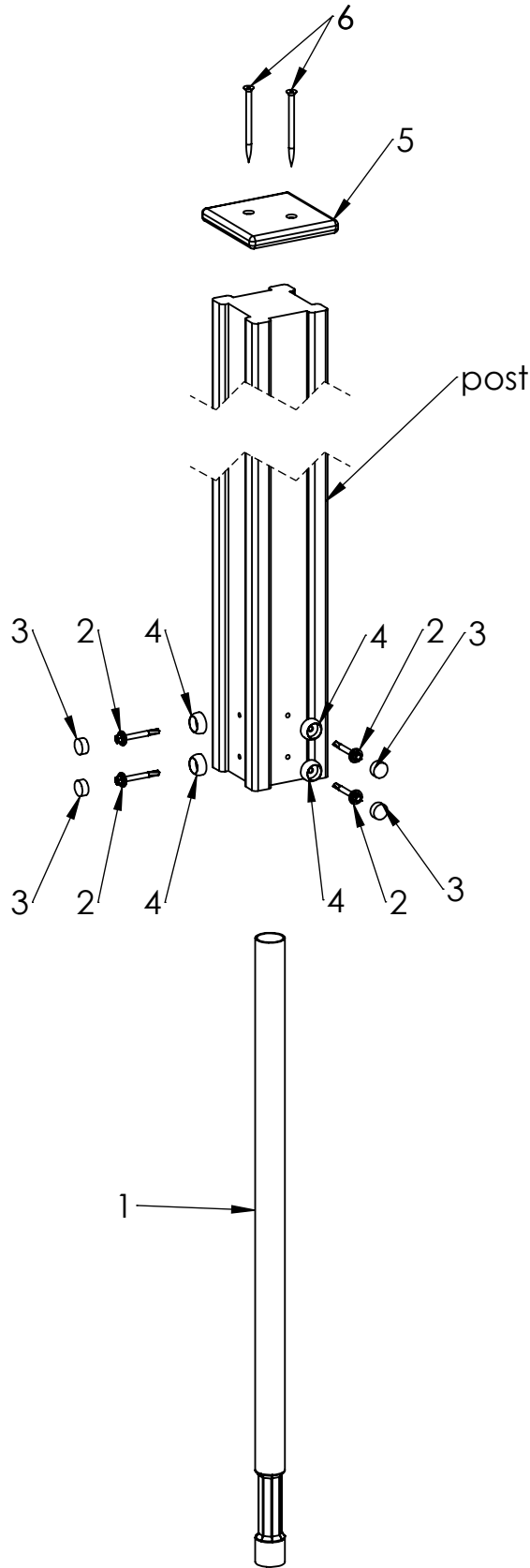
B

C


D

E

F



ITEM NO.	PART NUMBER
1	metal ground fixing L_750
2	screw DIN7504K 5,5x50
3	nut cover cap M6
4	nut cover M6
5	plastic cap 115x115
6	woodscrew 6 x 60

UNLESS OTHERWISE SPECIFIED: DIMENSIONS ARE IN MILLIMETERS WEIGHT ARE IN KILOGRAMM			
	NAME	SIGNATURE	DATE
DRAWN	I.Agar		19.11.2024
 Tiptiptap ^{OO}			

Product code:	LM226-1		
DESCRIPTION:	Play centre Evelin connecting metal ground fixing to post		
WEIGHT:	SCALE: 1:8	A4	
		SHEET 8 OF 31	

A

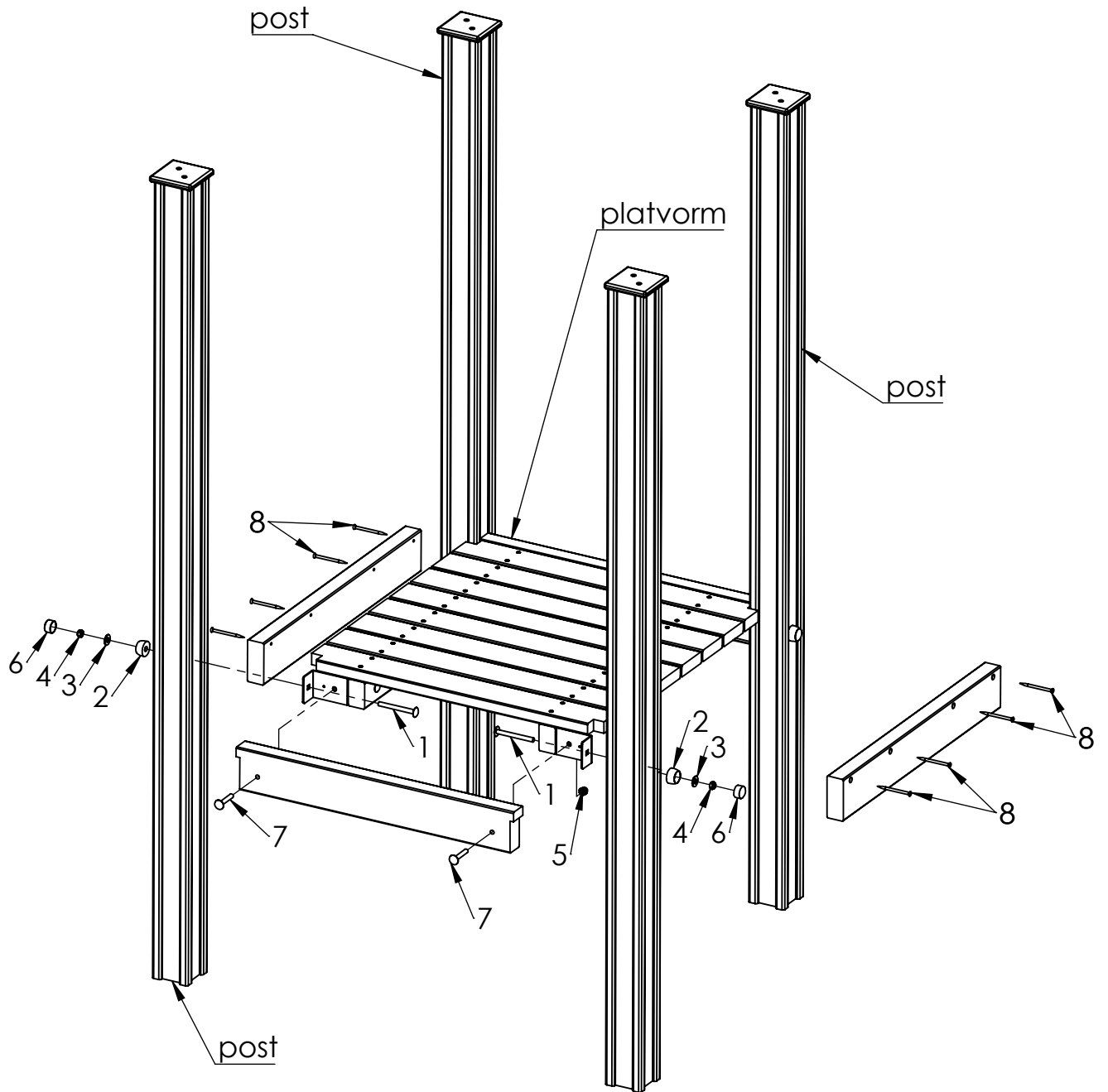
B

C

D

E

F



ITEM NO.	PART NUMBER
1	bolt DIN603 M10x100
2	nut cover M12
3	Washer M10 DIN9054
4	nut DIN985 M10
5	domed cap nut DIN986 M10
6	nut cover cap M12
7	bolt DIN603 M10x60
8	Woodscrew 6 x 90

UNLESS OTHERWISE SPECIFIED:
 DIMENSIONS ARE IN MILLIMETERS
 WEIGHT ARE IN KILOGRAMM

Product code:

LM226-1

DESCRIPTION:

Play centre Evelin
 connecting platform to post

WEIGHT:

SCALE: 1:15

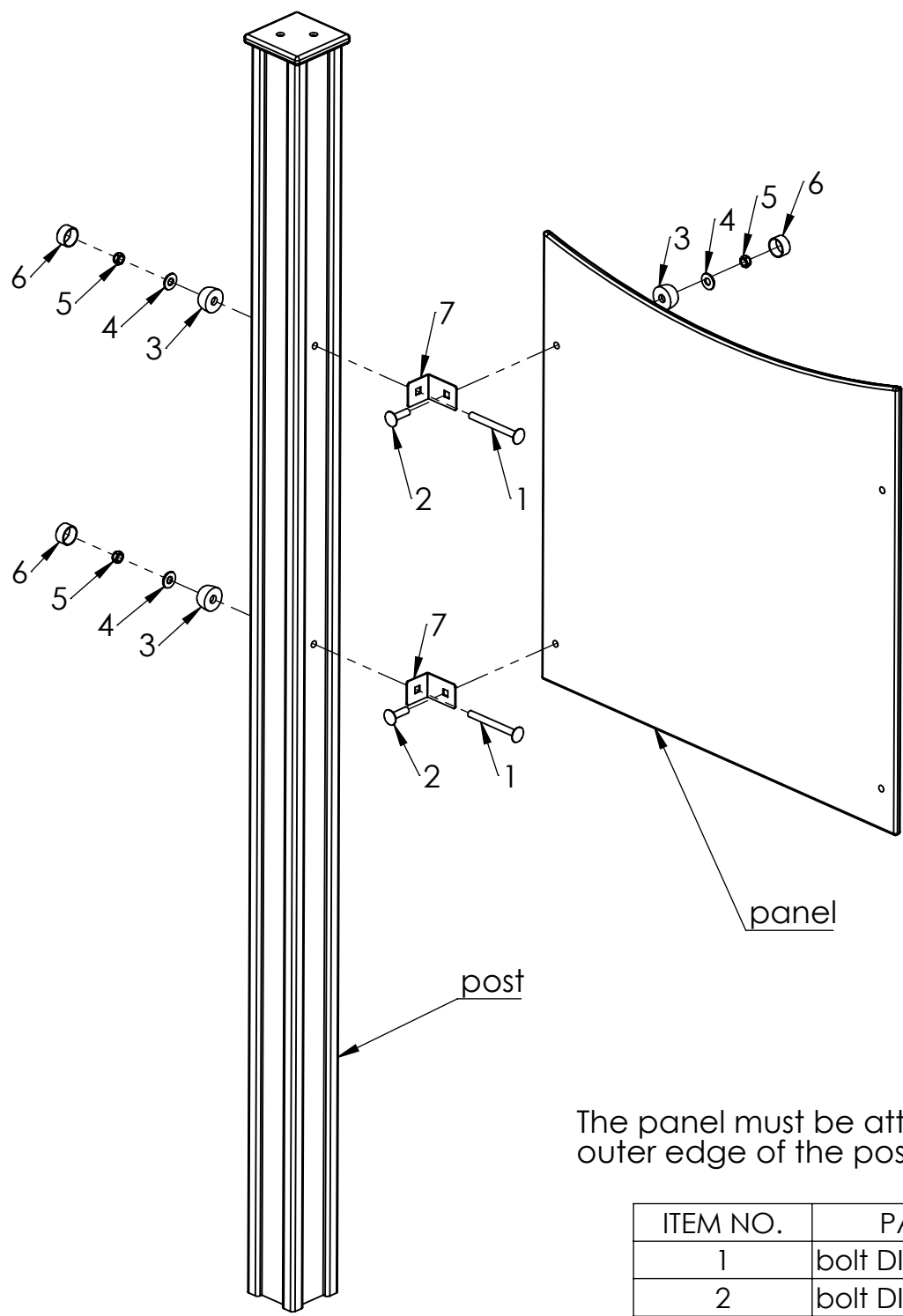
SHEET 9 OF 31



Tiptap^{ÖÜ}

A4

A
B
C
D
E
F



The panel must be attached to the outer edge of the post !!!

ITEM NO.	PART NUMBER
1	bolt DIN603 M10x100
2	bolt DIN603 M10x35
3	nut cover M12
4	Washer M10 DIN9054
5	nut DIN985 M10
6	nut cover cap M12
7	Corner 90° (45x60)

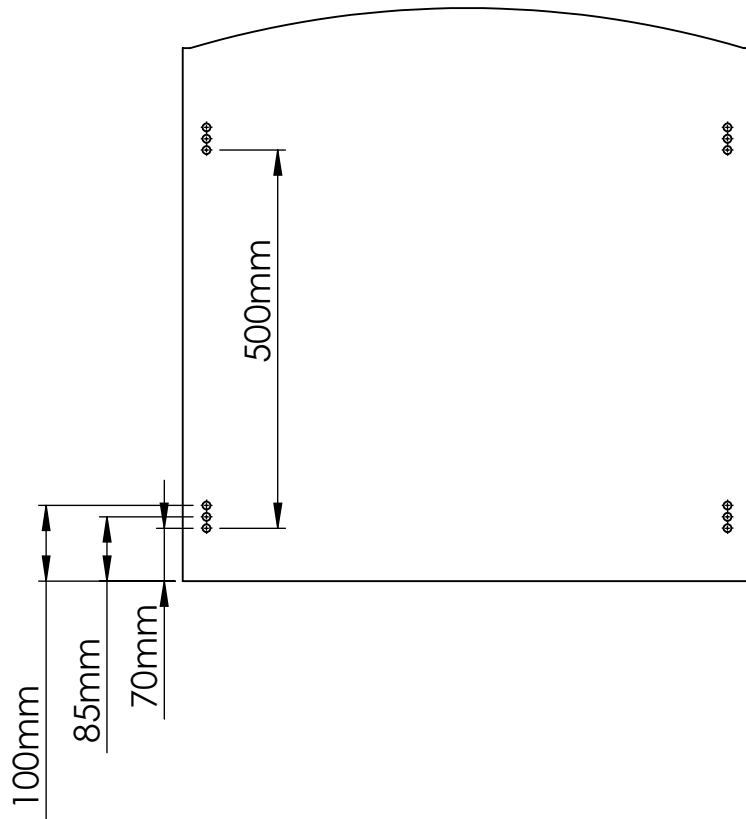
UNLESS OTHERWISE SPECIFIED: DIMENSIONS ARE IN MILLIMETERS WEIGHT ARE IN KILOGRAMM			
	NAME	SIGNATURE	DATE
DRAWN	I.Agar		19.11.2024

Product code:	LM226-1
DESCRIPTION:	Play centre Evelin connecting panel to post

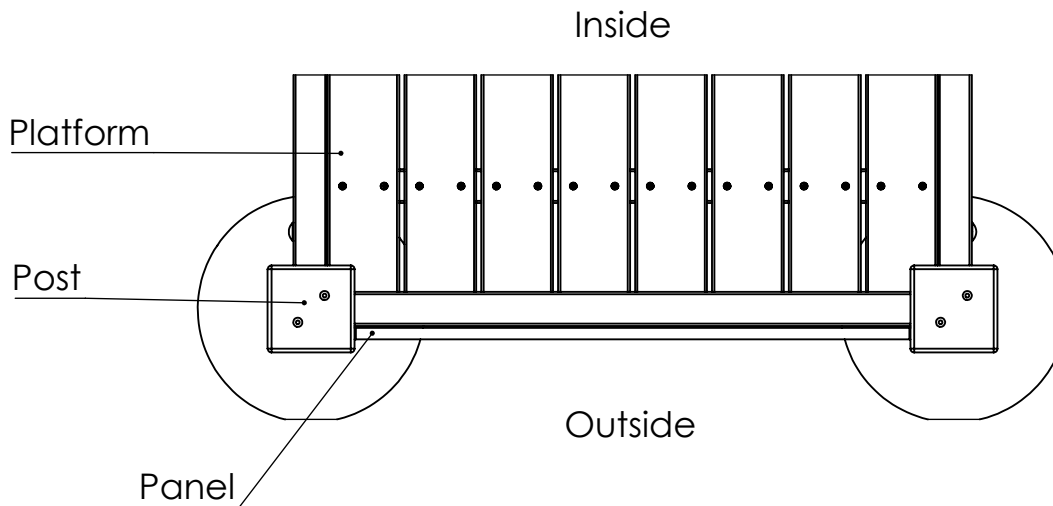


WEIGHT:	SCALE: 1:10	SHEET 10 OF 31
		A4

Explanation of the 'lower hole' behind the panel name:



The panel must be installed on the post as shown in the picture!



UNLESS OTHERWISE SPECIFIED:
DIMENSIONS ARE IN MILLIMETERS
WEIGHT ARE IN KILOGRAMM

Product code:

LM226-1

NAME

SIGNATURE

DATE

DRAWN

I.Agar

19.11.2024

DESCRIPTION:

Play centre Evelin
connecting panel to post



Tiptap^{ou}

WEIGHT:

SCALE: 1:10

A4

SHEET 11 OF 31

A

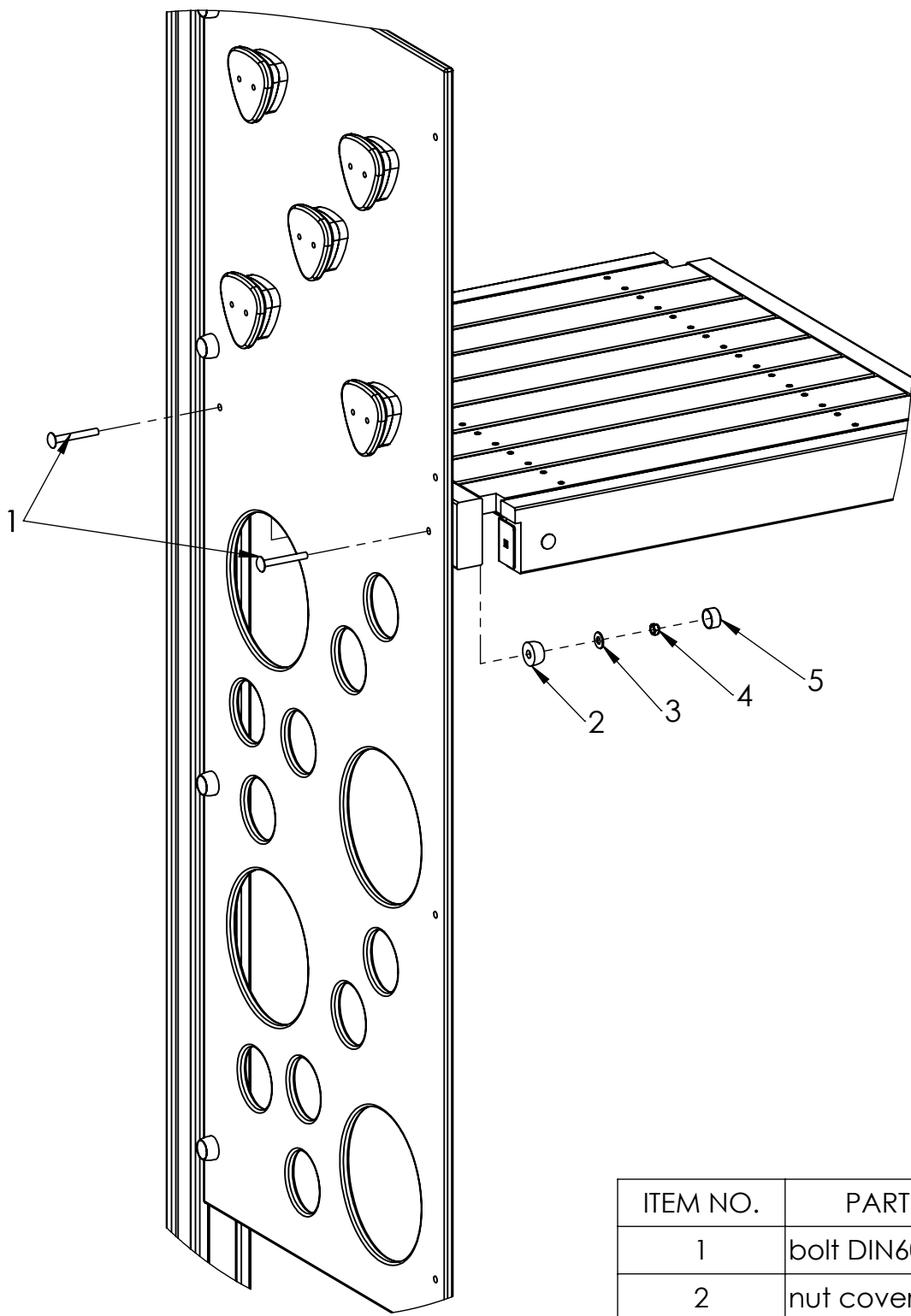
B

C

D

E

F



ITEM NO.	PART NUMBER
1	bolt DIN603 M10x80
2	nut cover M12
3	Washer M10 DIN9054
4	nut DIN985 M10
5	nut cover cap M12

UNLESS OTHERWISE SPECIFIED: DIMENSIONS ARE IN MILLIMETERS WEIGHT ARE IN KILOGRAMM			
	NAME	SIGNATURE	DATE
DRAWN	I.Agar		19.11.2024

Product code:	LM226-1
DESCRIPTION:	Play centre Evelin



WEIGHT:	SCALE: 1:10	A4	SHEET 12 OF 31
---------	-------------	----	----------------

A

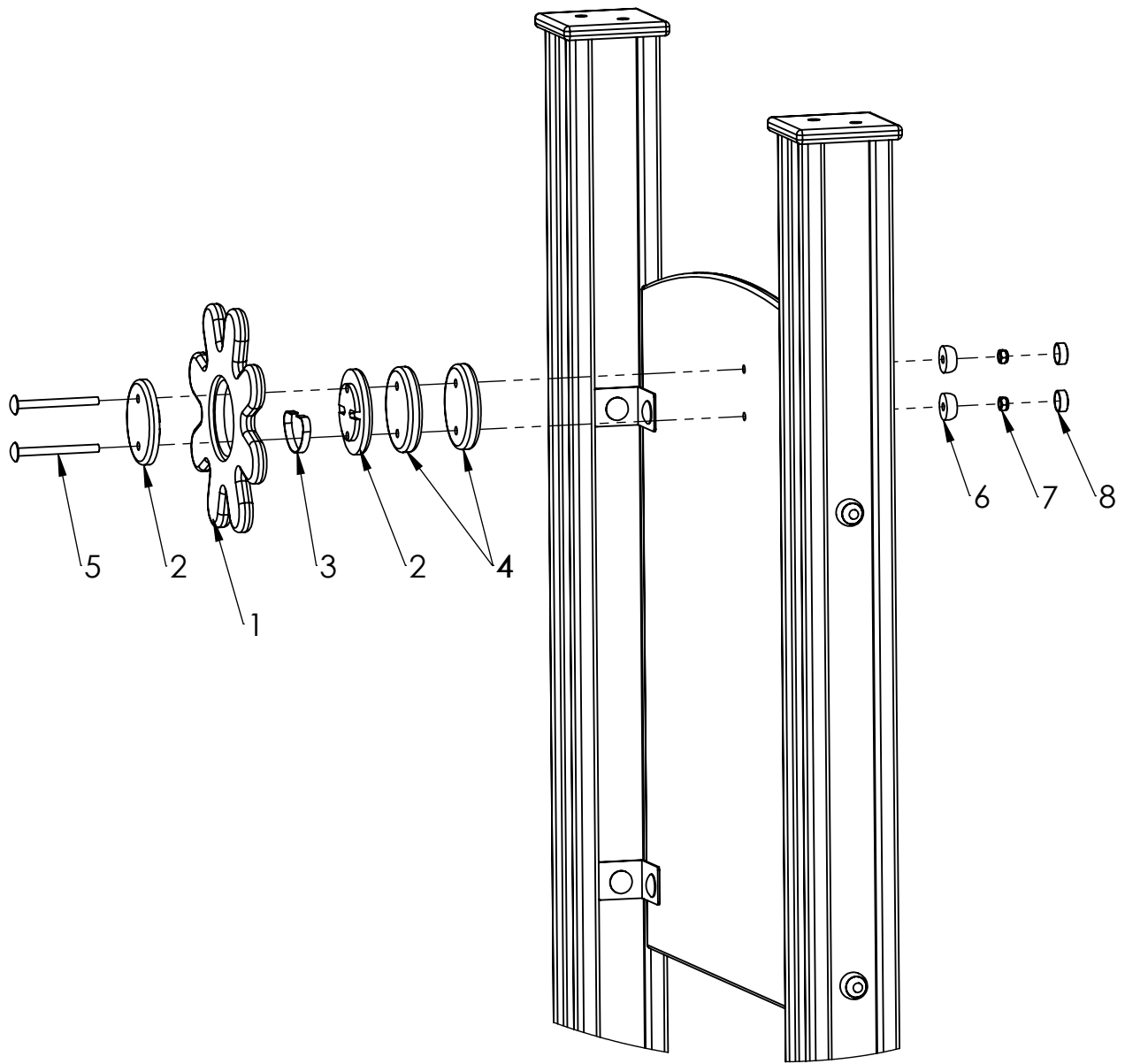
B

C

D

E

F



ITEM NO.	PART NUMBER
1	Captain wheel
2	Disk 90mm for spring
3	spring for wheel
4	Disk 90mm
5	bolt DIN603 M8x90
6	nut cover M8
7	nut DIN985 M8
8	nut cover cap M8

UNLESS OTHERWISE SPECIFIED:
 DIMENSIONS ARE IN MILLIMETERS
 WEIGHT ARE IN KILOGRAMM

Product code: **LM226-1**

DESCRIPTION: **Play centre Evelin**
 Connecting wheel to panel

WEIGHT: SCALE: 1:7 SHEET 13 OF 31



A4

A

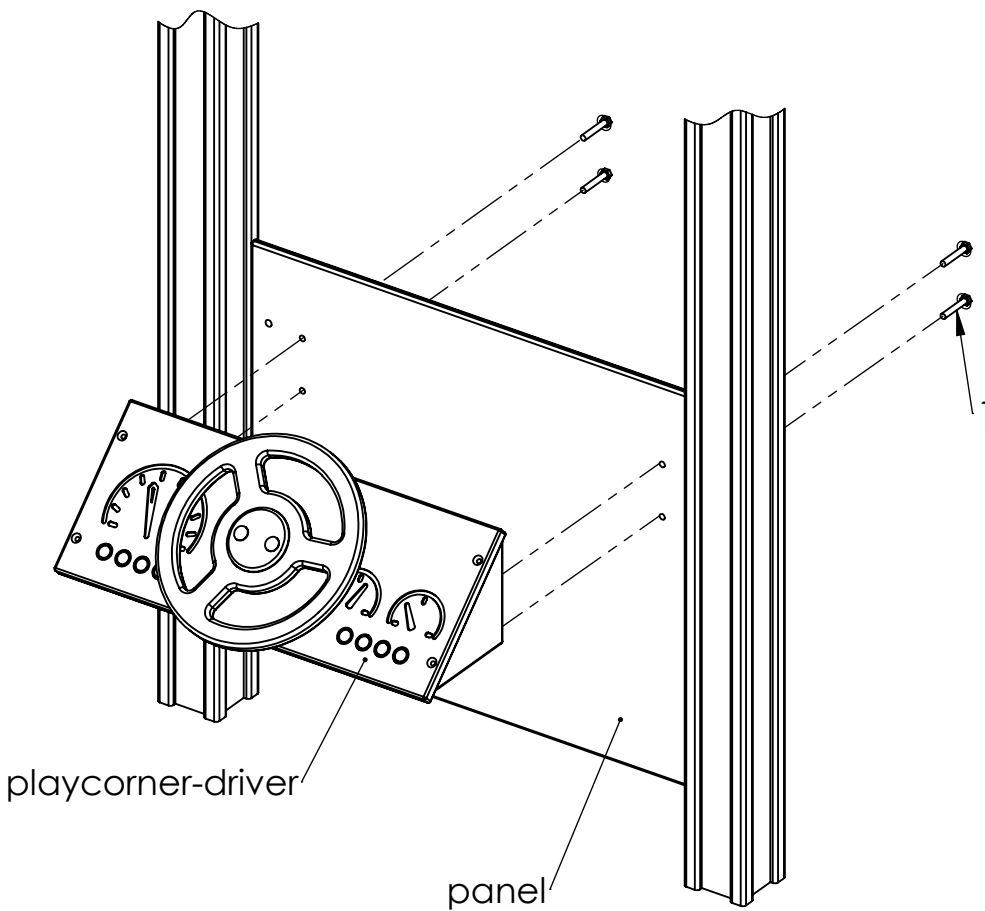
B

C

D

E

F



playcorner-driver

panel

ITEM NO.	PART NUMBER
1	bolt DIN933 M8x50

UNLESS OTHERWISE SPECIFIED: DIMENSIONS ARE IN MILLIMETERS WEIGHT ARE IN KILOGRAMM			
	NAME	SIGNATURE	DATE
DRAWN	I.Agar		19.11.2024

Product code: LM226-1

DESCRIPTION: Play centre Evelin
connecting playcorner-driver to panel



WEIGHT:	SCALE: 1:10	A4
		SHEET 14 OF 31

A

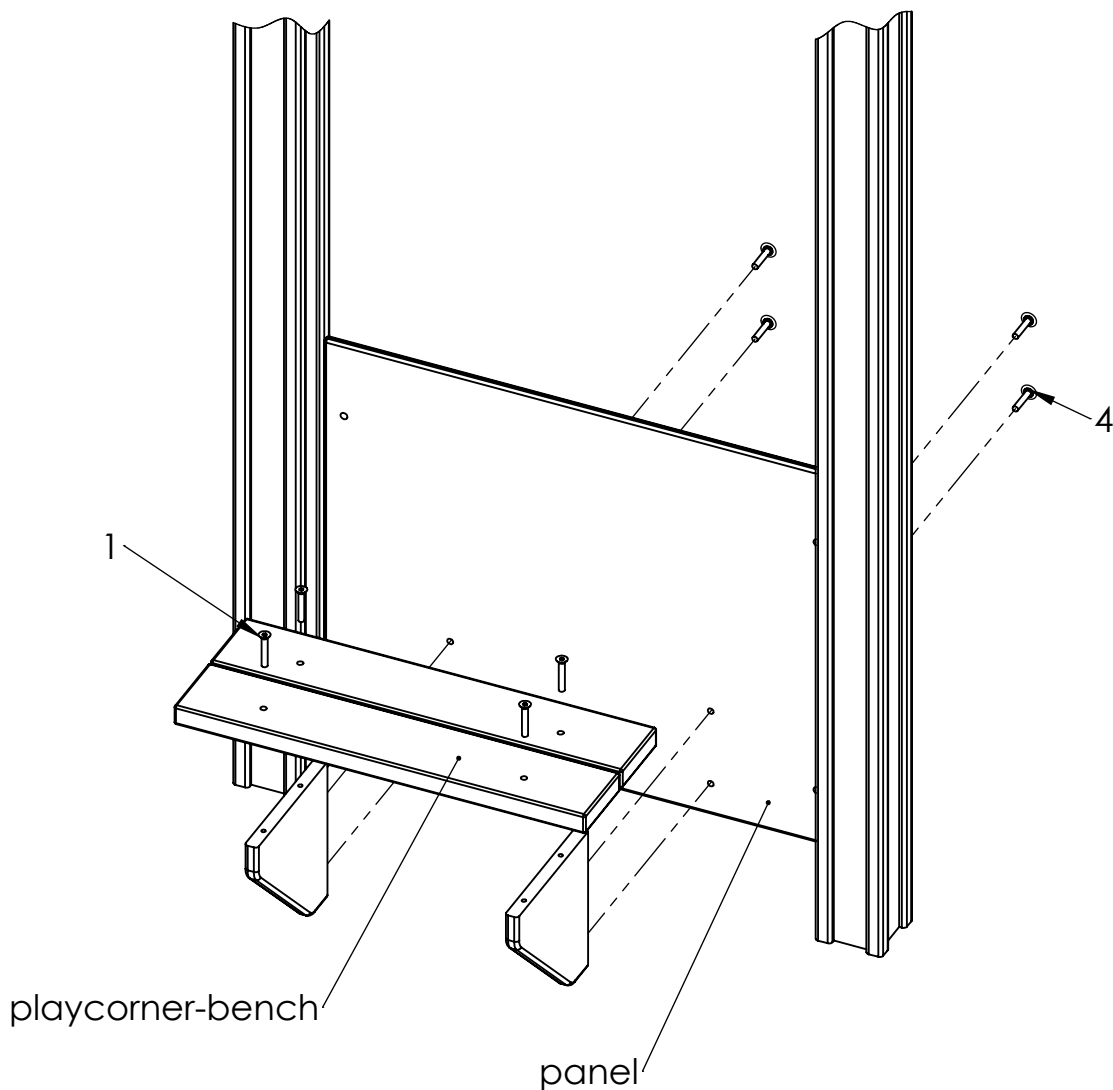
B

C

D

E

F

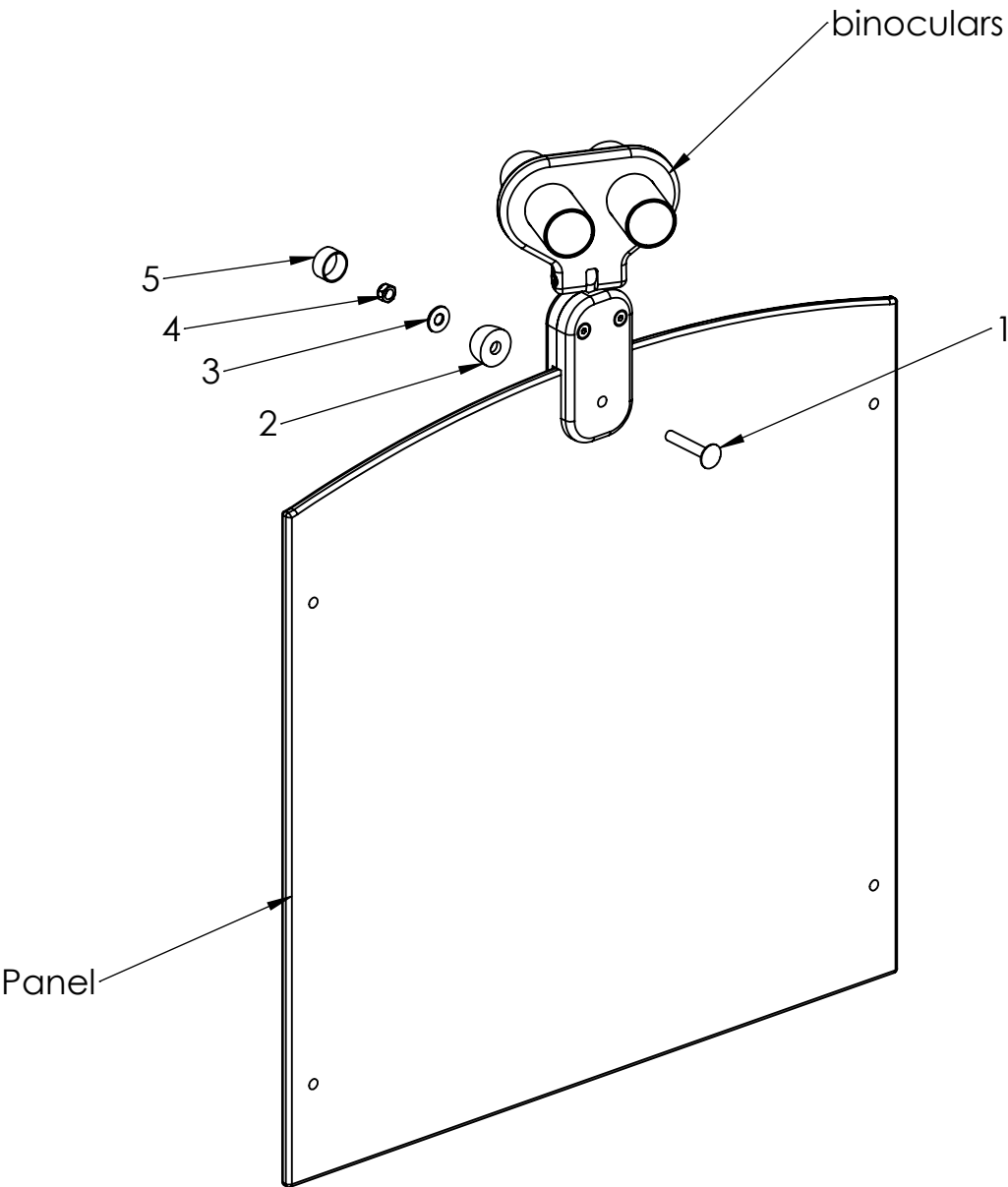


ITEM NO.	PART NUMBER
1	DIN7991 M8x40
4	Art. 9121 TX-PIN M8x40

UNLESS OTHERWISE SPECIFIED: DIMENSIONS ARE IN MILLIMETERS WEIGHT ARE IN KILOGRAMM			
	NAME	SIGNATURE	DATE
DRAWN	I.Agar		19.11.2024

Product code:	LM226-1	
DESCRIPTION:	Play centre Evelin connecting playcorner-bench to panel	
WEIGHT:	SCALE: 1:10	SHEET 15 OF 31





ITEM NO.	PART NUMBER
1	bolt DIN603 M10x60
2	nut cover M12
3	Washer M10 DIN9054
4	nut DIN985 M10
5	nut cover cap M12

UNLESS OTHERWISE SPECIFIED:
DIMENSIONS ARE IN MILLIMETERS
WEIGHT ARE IN KILOGRAMM

Product code:

LM226-1

DESCRIPTION:

Play centre Evelin
Connecting binoculars to panel

WEIGHT:

SCALE: 1:7

SHEET 16 OF 31



Tiptap ^{OO}

A4

A

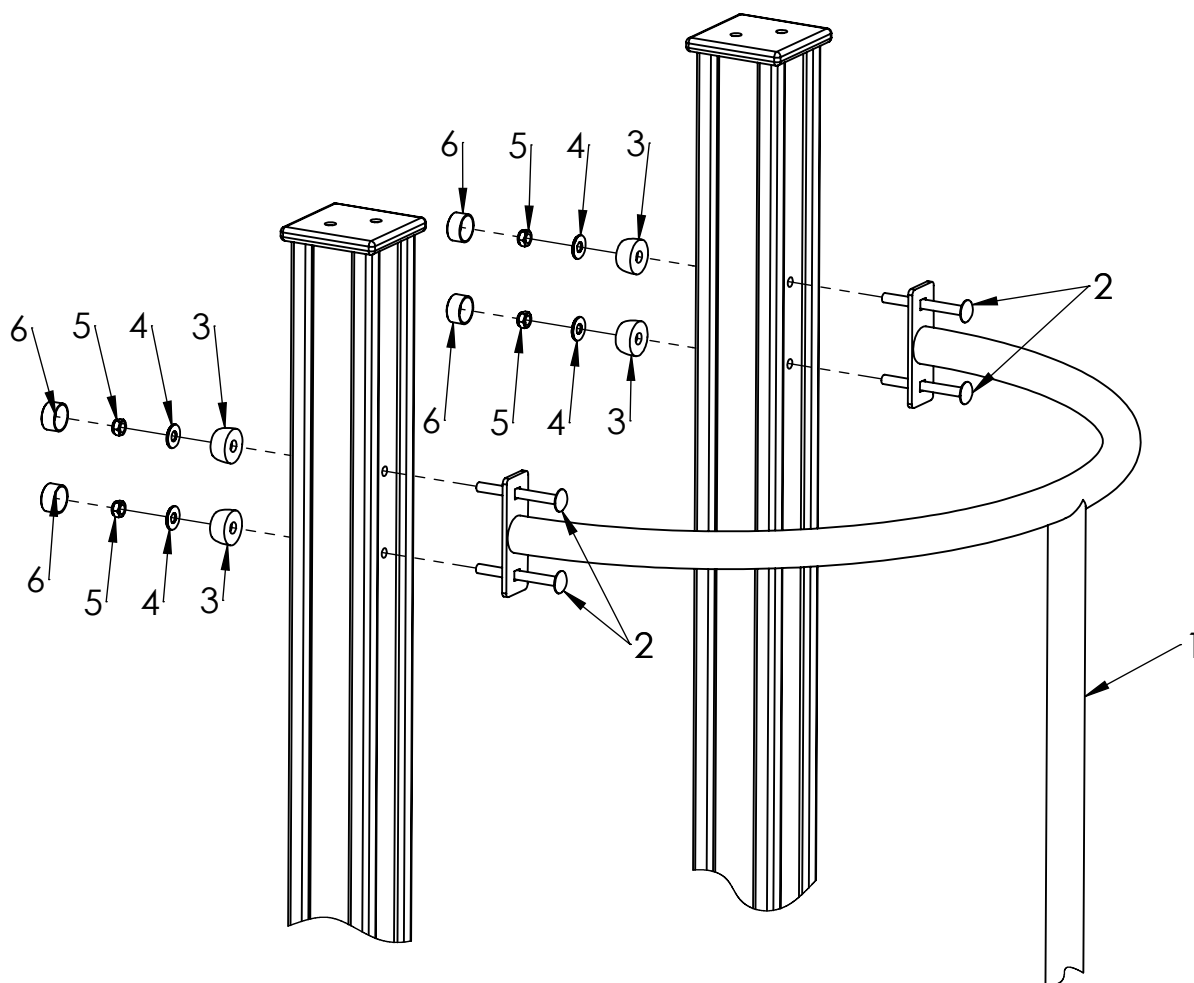
B

C

D

E

F



ITEM NO.	PART NUMBER
1	climbing pole
2	bolt DIN603 M10x100
3	nut cover M12
4	Washer M10 DIN9054
5	nut DIN985 M10
6	nut cover cap M12

UNLESS OTHERWISE SPECIFIED:
DIMENSIONS ARE IN MILLIMETERS
WEIGHT ARE IN KILOGRAMM

Product code:

LM226-1

DESCRIPTION:

Play centre Evelin
connecting climbing pole to post

WEIGHT:

SCALE: 1:8

SHEET 17 OF 31



Tiptap^{ÖÜ}

A4

A

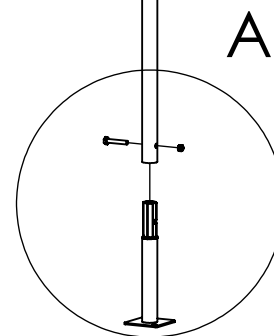
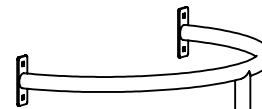
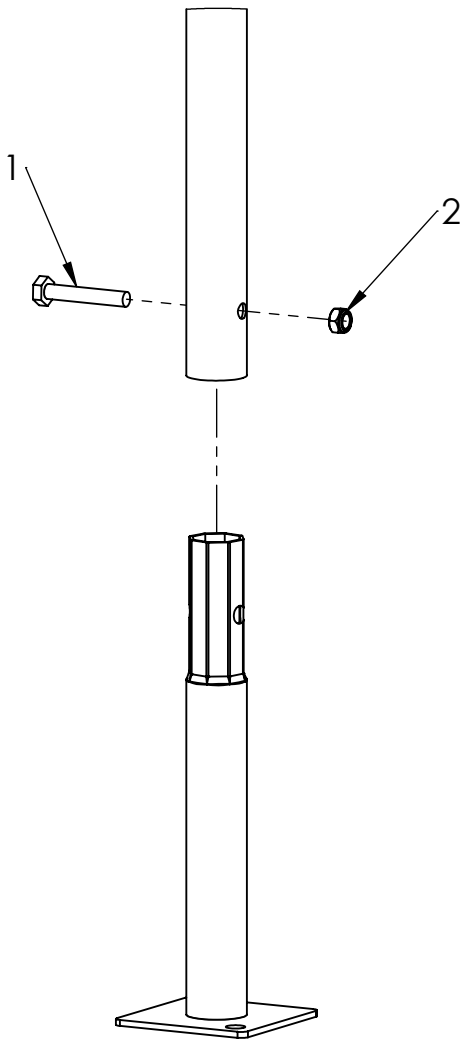
B

C

D

E

DETAIL A SCALE 1 : 5



ITEM NO.	PART NUMBER
1	bolt DIN931 M10x60
2	nut DIN985 M10

UNLESS OTHERWISE SPECIFIED:
DIMENSIONS ARE IN MILLIMETERS
WEIGHT ARE IN KILOGRAMM

Product code:

LM226-1

	NAME	SIGNATURE	DATE
DRAWN	I.Agar		19.11.2024

DESCRIPTION:

Play centre Evelin
Assembling climbing pole

F



Tiptap ^{OO}

WEIGHT:

SCALE: 1:20

SHEET 18 OF 31

A4

A

Aluminium post version!

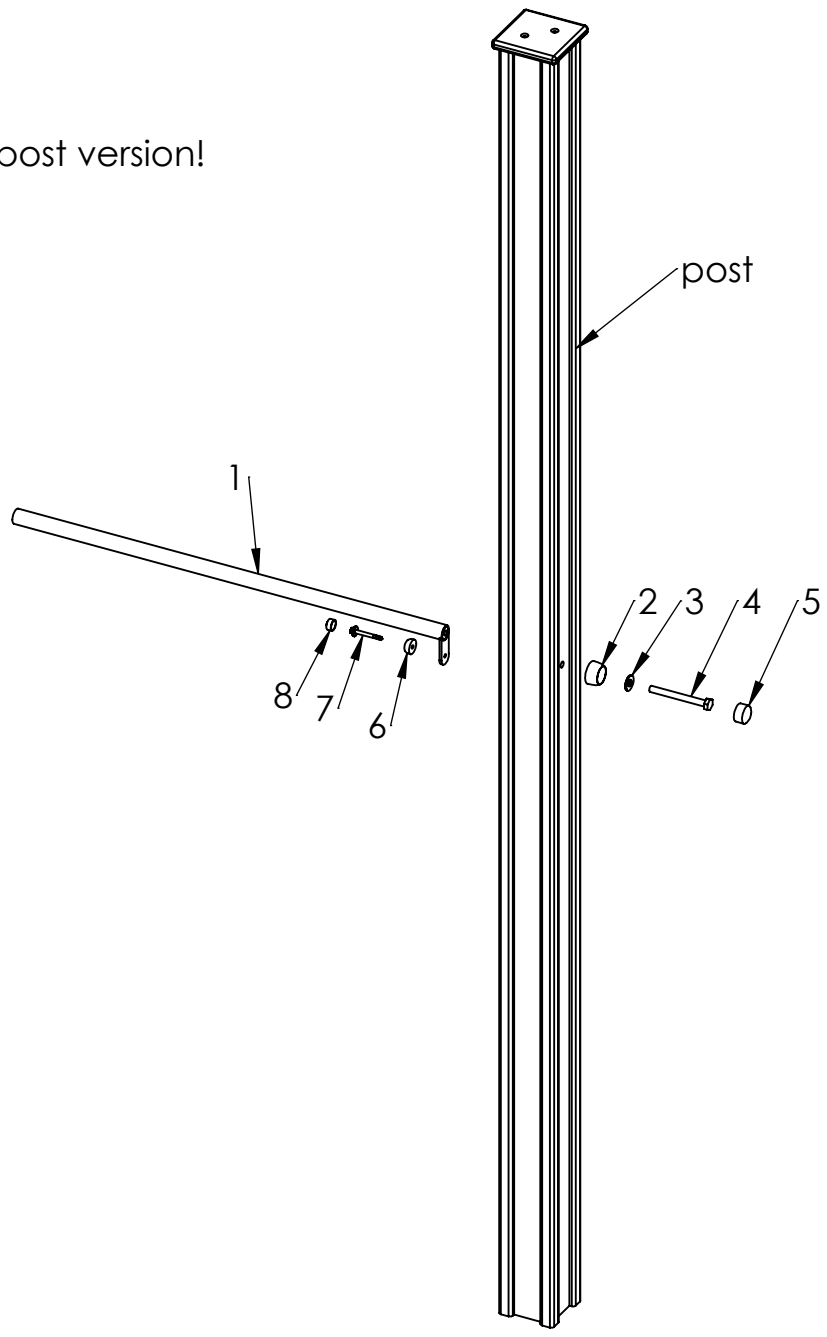
B

C


D

E

F



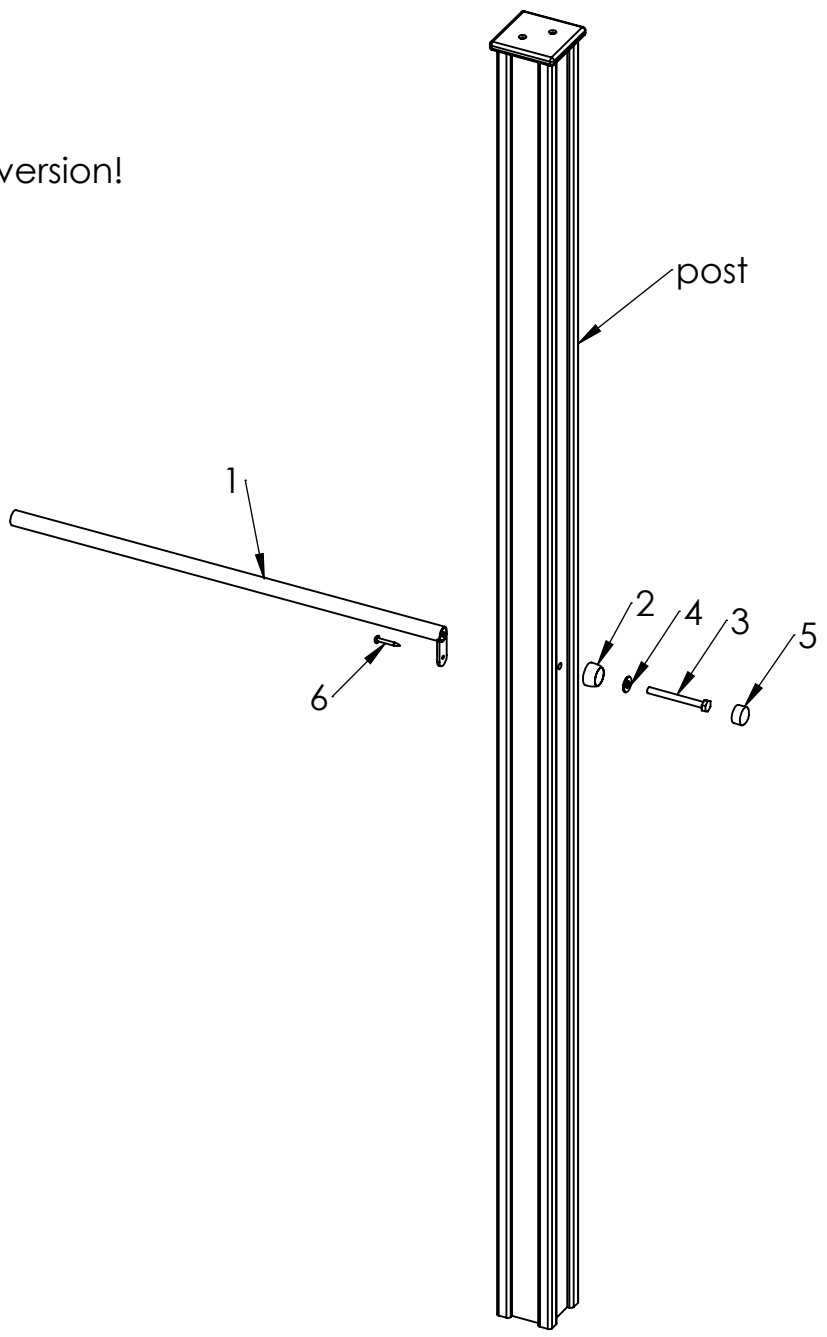
ITEM NO.	PART NUMBER
1	guardrail ϕ 25x770
2	nut cover M12
3	Washer M10 DIN9054
4	bolt DIN931 M10x100
5	nut cover cap M12
6	nut cover M6
7	screw DIN7504K 5,5x50
8	nut cover cap M6

UNLESS OTHERWISE SPECIFIED: DIMENSIONS ARE IN MILLIMETERS WEIGHT ARE IN KILOGRAMM			
	NAME	SIGNATURE	DATE
DRAWN	I.Agar		19.11.2024
 Tiptiptap ^{OO}			

Product code:	LM226-1		
DESCRIPTION:	Play centre Evelin connecting guardrail to post		
WEIGHT:	SCALE: 1:12	A4	
		SHEET 19 OF 31	

A

Wood post version!



B

C

D

E

ITEM NO.	PART NUMBER
1	guardrail \varnothing 25x770
2	nut cover M12
3	bolt DIN931 M10x100
4	Washer M10 DIN9054
5	nut cover cap M12
6	screw 5x40

UNLESS OTHERWISE SPECIFIED: DIMENSIONS ARE IN MILLIMETERS WEIGHT ARE IN KILOGRAMM			
	NAME	SIGNATURE	DATE
DRAWN	I.Agar		19.11.2024

Product code: LM226-1

DESCRIPTION: Play centre Evelin connecting guardrail to post



WEIGHT:	SCALE: 1:12	A4
		SHEET 20 OF 31

A

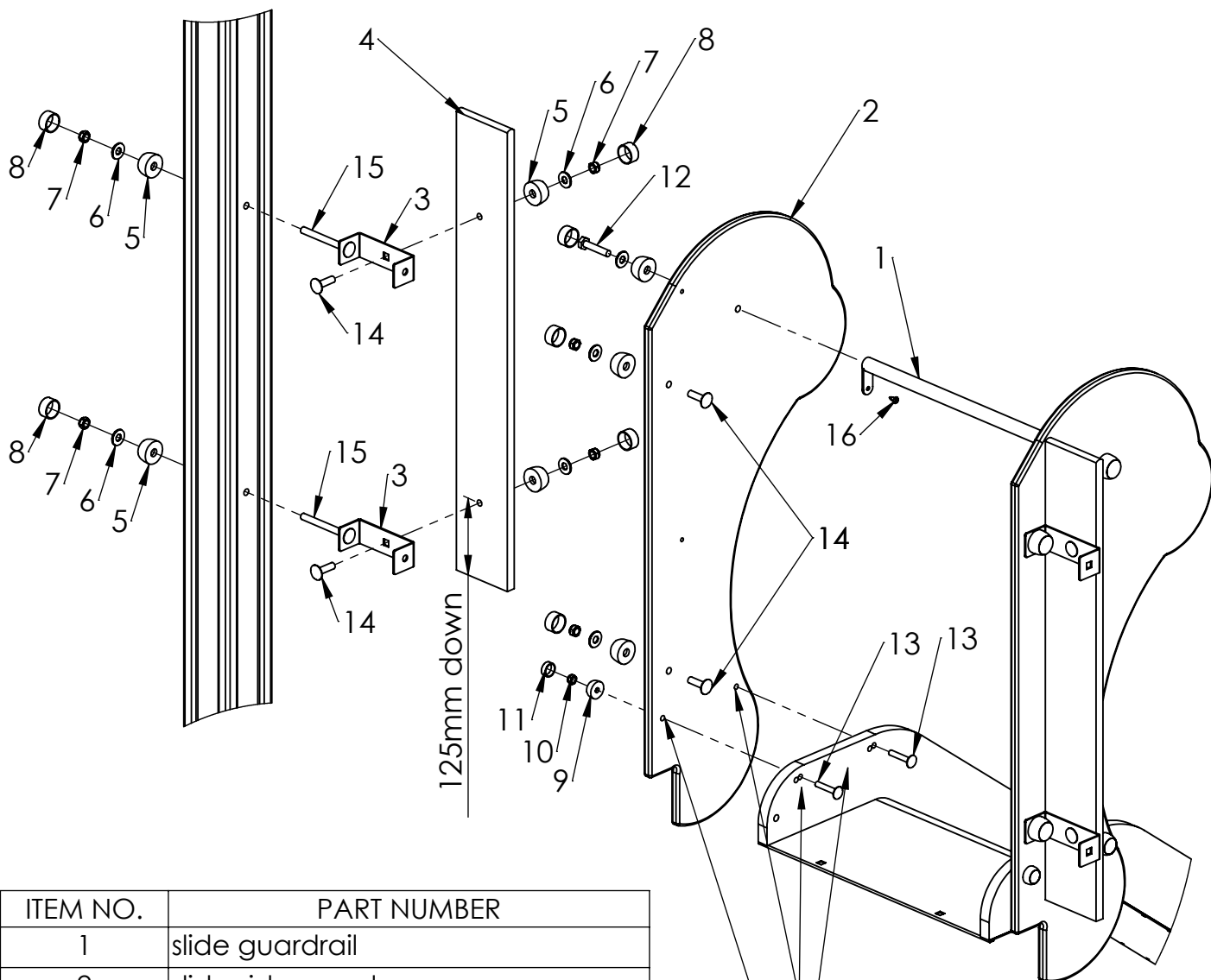
B

C

D

E

F



It is important to drill 8,5mm holes through panel and slide.

ITEM NO.	PART NUMBER
1	slide guardrail
2	slide side panel
3	slide side panel fixing (45x123x45)
4	slide panel 111x770mm
5	nut cover M12
6	Washer M10 DIN9054
7	nut DIN985 M10
8	nut cover cap M12
9	nut cover M8
10	nut DIN985 M8
11	nut cover cap M8
12	bolt DIN931 M10x50
13	bolt DIN603 M8x45
14	bolt DIN603 M10x35
15	bolt DIN603 M10x100
16	wood screw 4,8x13

UNLESS OTHERWISE SPECIFIED:
DIMENSIONS ARE IN MILLIMETERS
WEIGHT ARE IN KILOGRAMM

Product code:

LM226-1

NAME

SIGNATURE

DATE

DRAWN

I.Agar

19.11.2024

DESCRIPTION:

Play centre Evelin
Connecting slide guard block to post



Tiptap^{OU}

WEIGHT:

SCALE: 1:10

A4

SHEET 21 OF 31

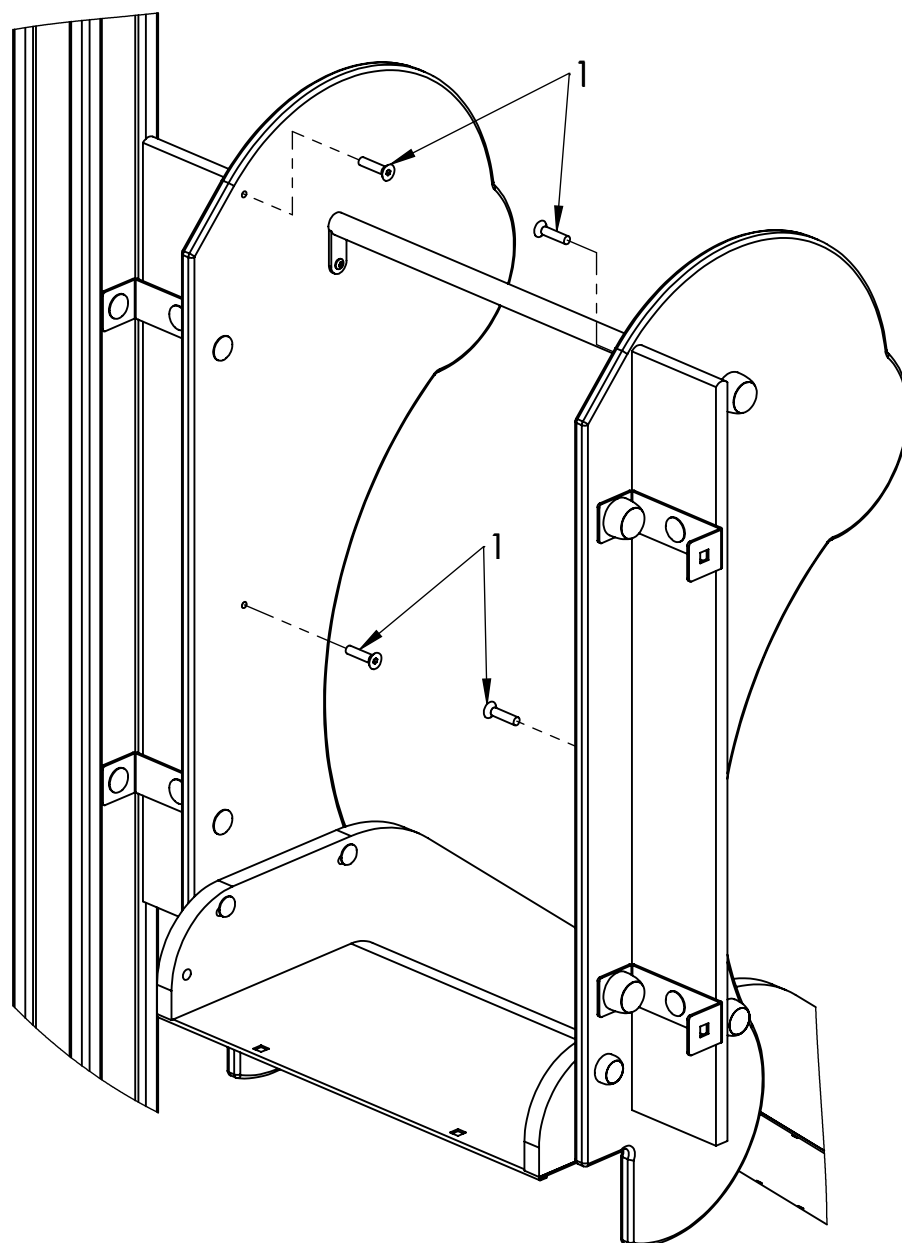
A

B

C

D

E



ITEM NO.	PART NUMBER
1	M6x35 DIN7991

UNLESS OTHERWISE SPECIFIED:
 DIMENSIONS ARE IN MILLIMETERS
 WEIGHT ARE IN KILOGRAMM

Product code:

LM226-1

NAME

SIGNATURE

DATE

DRAWN

I.Agar

19.11.2024

DESCRIPTION:

Play centre Evelin
 Connecting slide guard block to post

F



Tiptap^{ou}

WEIGHT:

SCALE: 1:7

A4

SHEET 22 OF 31

A

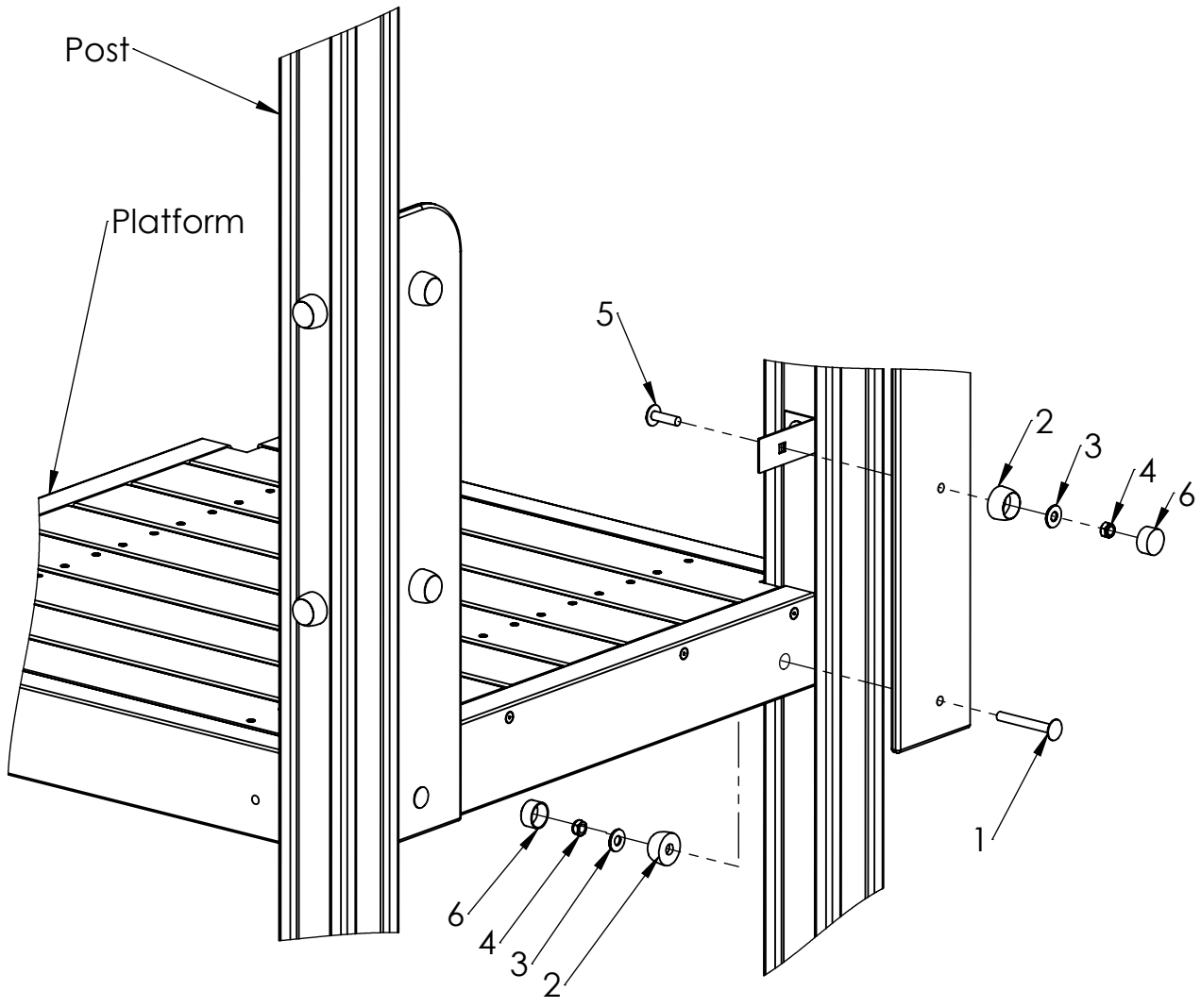
B

C

D

E

F



ITEM NO.	PART NUMBER
1	bolt DIN603 M10x80
2	nut cover M12
3	Washer M10 DIN9054
4	nut DIN985 M10
5	bolt DIN603 M10x35
6	nut cover cap M12

UNLESS OTHERWISE SPECIFIED: DIMENSIONS ARE IN MILLIMETERS WEIGHT ARE IN KILOGRAMM			
	NAME	SIGNATURE	DATE
DRAWN	I.Agar		19.11.2024

Product code:	LM226-1		
DESCRIPTION:	Play centre Evelin Connecting climbing pole side panel to post		
			A4
WEIGHT:		SCALE: 1:8	SHEET 23 OF 31



A

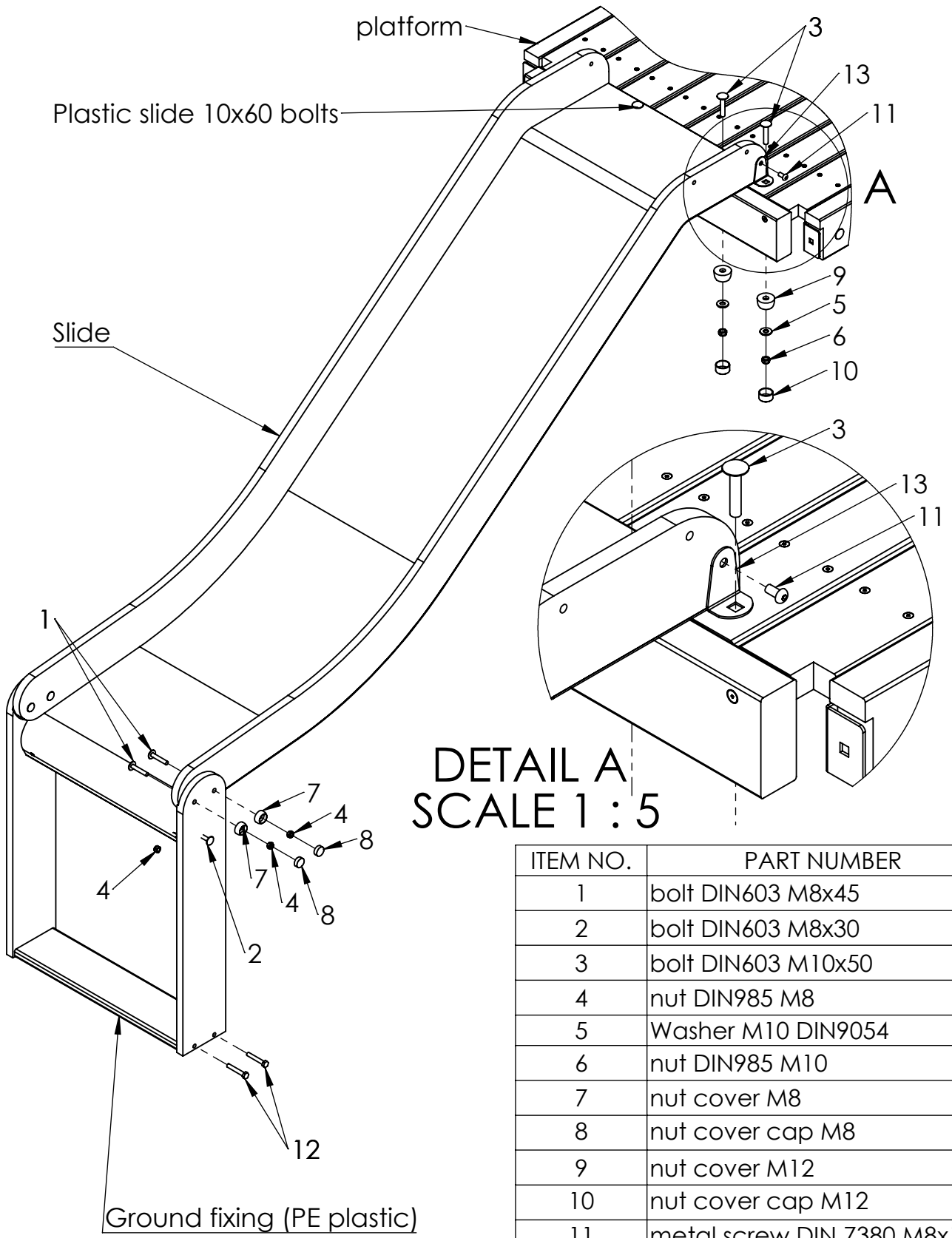
B

C

D

E

F




DETAIL A
SCALE 1 : 5

ITEM NO.	PART NUMBER
1	bolt DIN603 M8x45
2	bolt DIN603 M8x30
3	bolt DIN603 M10x50
4	nut DIN985 M8
5	Washer M10 DIN9054
6	nut DIN985 M10
7	nut cover M8
8	nut cover cap M8
9	nut cover M12
10	nut cover cap M12
11	metal screw DIN 7380 M8x16
12	bolt DIN933 M8x50
13	metal corner for slide

UNLESS OTHERWISE SPECIFIED:
DIMENSIONS ARE IN MILLIMETERS
WEIGHT ARE IN KILOGRAMM

	NAME	SIGNATURE	DATE
DRAWN	I.Agar		19.11.2024



Tiptiptap ^{OO}

Product code: **LM226-1**

DESCRIPTION:
**Play centre Evelin
connecting slide to platform**

WEIGHT:	SCALE: 1:12	SHEET 24 OF 31
---------	-------------	----------------

A4

A

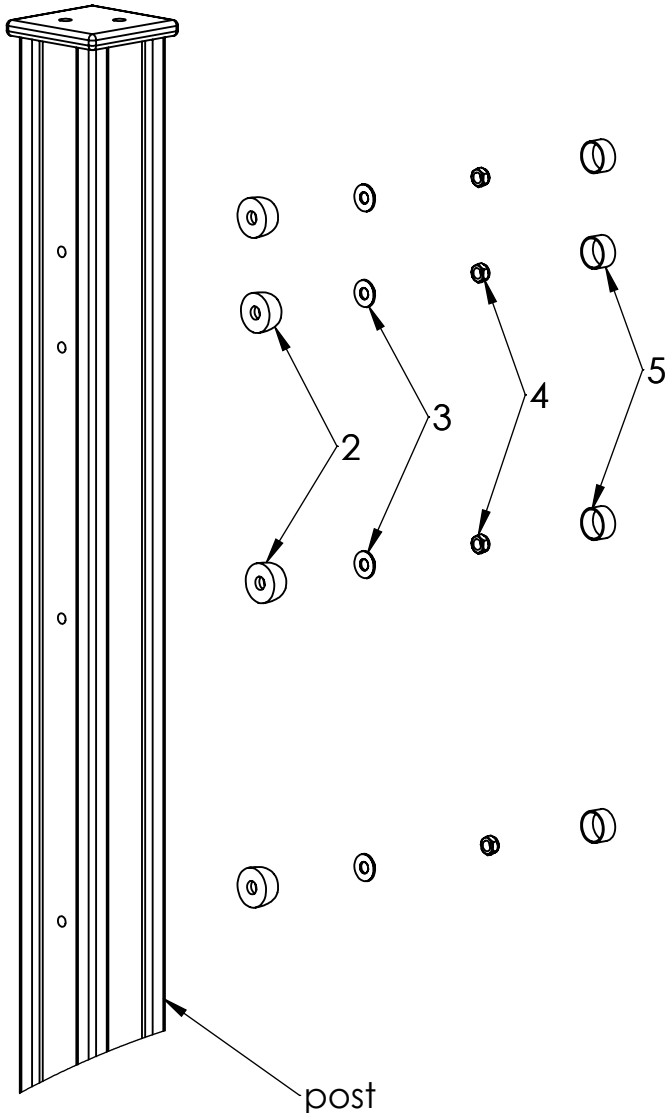
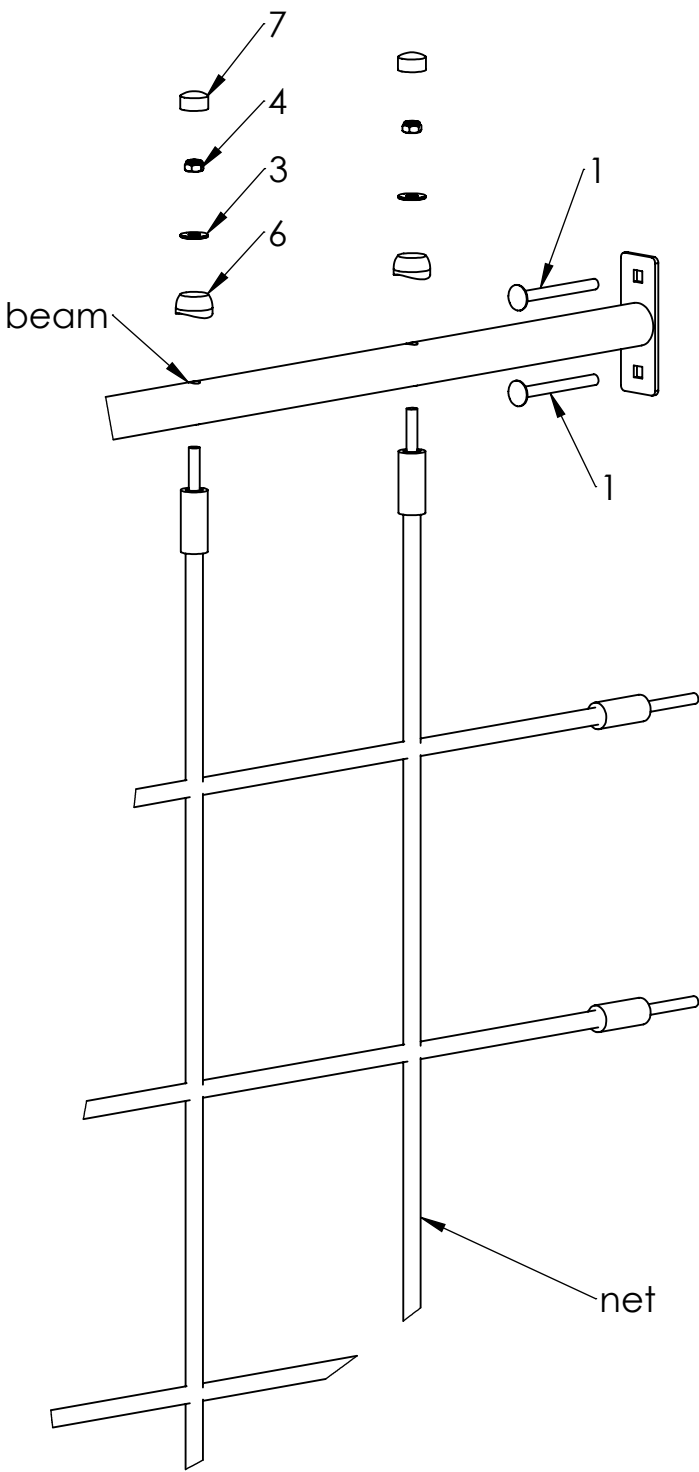
B

C

D

E


F



ITEM NO.	PART NUMBER
1	bolt DIN603 M10x100
2	nut cover M12
3	Washer M10 DIN9054
4	nut DIN985 M10
5	nut cover cap M12
6	nut cover for beam M10
7	nut cover cap M10

UNLESS OTHERWISE SPECIFIED:
DIMENSIONS ARE IN MILLIMETERS
WEIGHT ARE IN KILOGRAMM

	NAME	SIGNATURE	DATE
DRAWN	I.Agar		19.11.2024



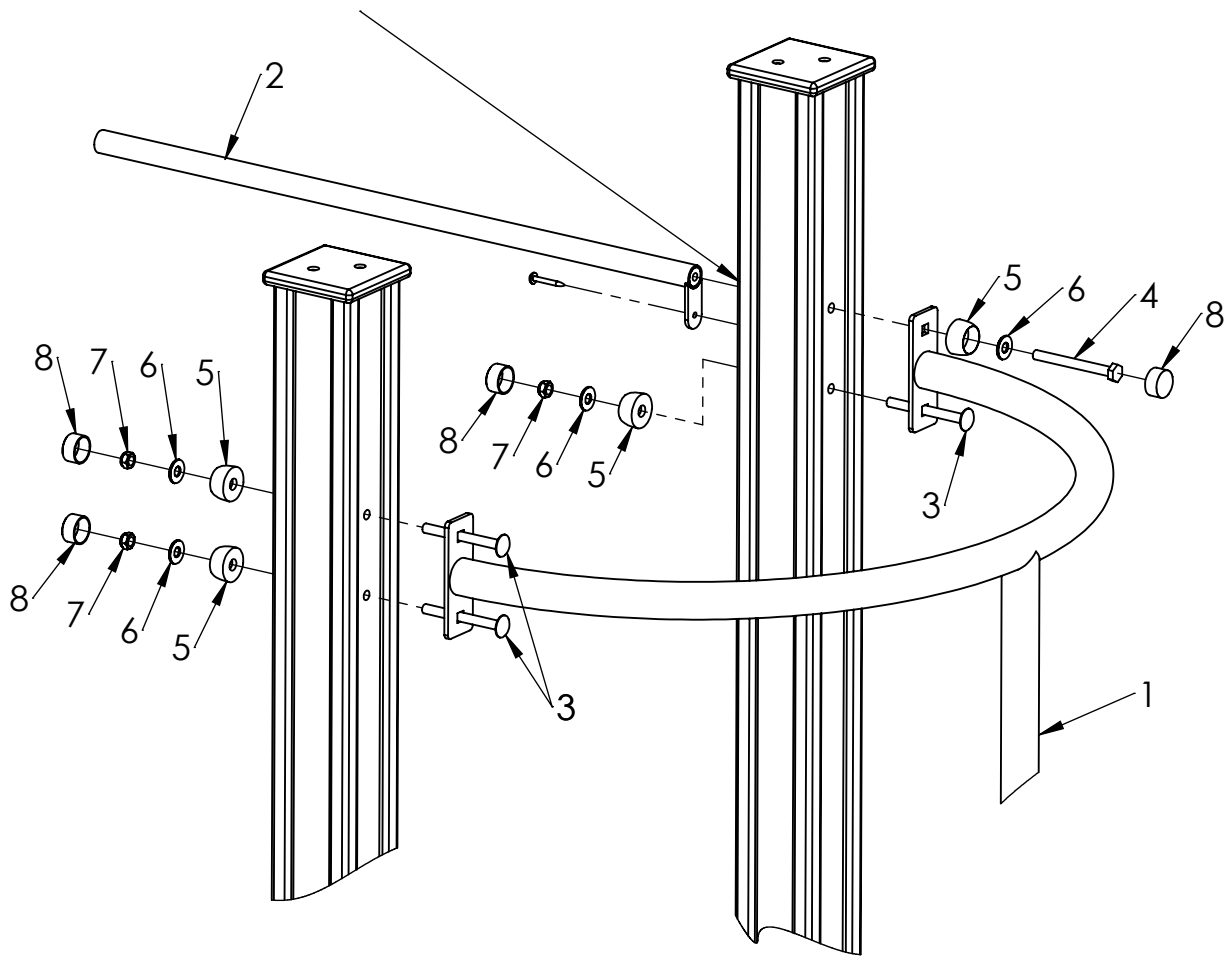
Tiptiptap ^{OO}

Product code: **LM226-1**

DESCRIPTION:
Play centre Evelin
Connecting beam and climbing net to post

WEIGHT:	SCALE: 1:7	A4
		SHEET 25 OF 31

C post tubes fixing sample.
Guardrail is attached in this way
by the stepped bridge



ITEM NO.	PART NUMBER
1	Tube
2	guardrail ϕ 25x770
3	bolt DIN603 M10x100
4	bolt DIN931 M10x100
5	nut cover M12
6	Washer M10 DIN9054
7	nut DIN985 M10
8	nut cover cap M12

UNLESS OTHERWISE SPECIFIED:
DIMENSIONS ARE IN MILLIMETERS
WEIGHT ARE IN KILOGRAMM

Product code:

LM226-1

DESCRIPTION:

Play centre Evelin

	NAME	SIGNATURE	DATE
DRAWN	I.Agar		19.11.2024



Tiptap ^{ÖÜ}

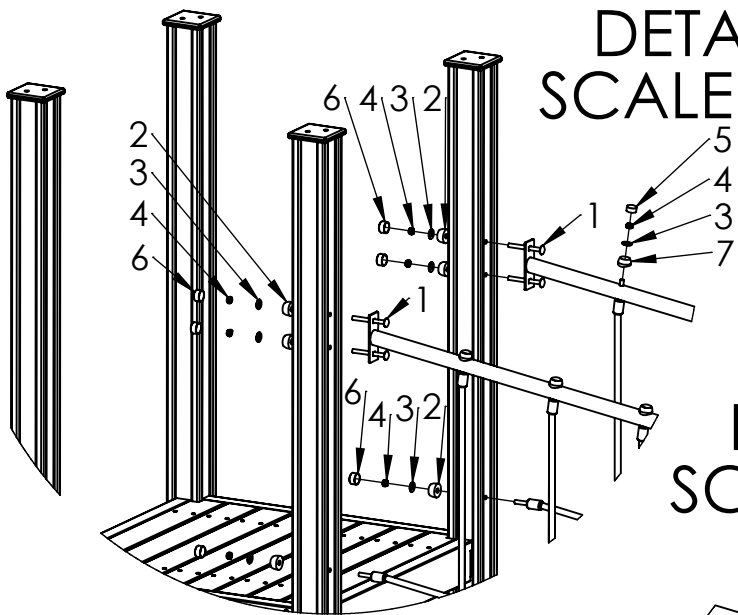
WEIGHT:

SCALE: 1:8

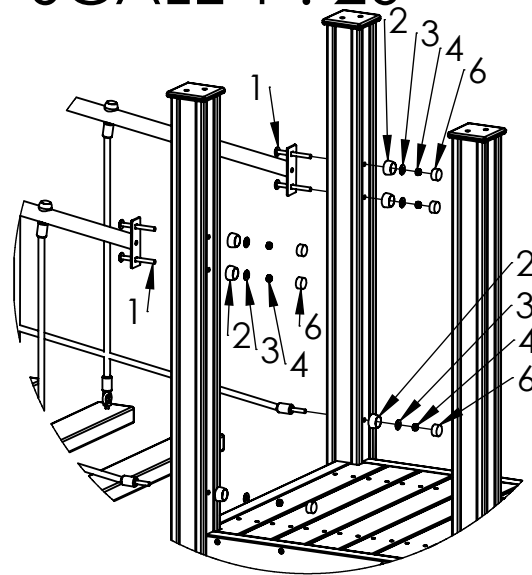
A4

SHEET 26 OF 31

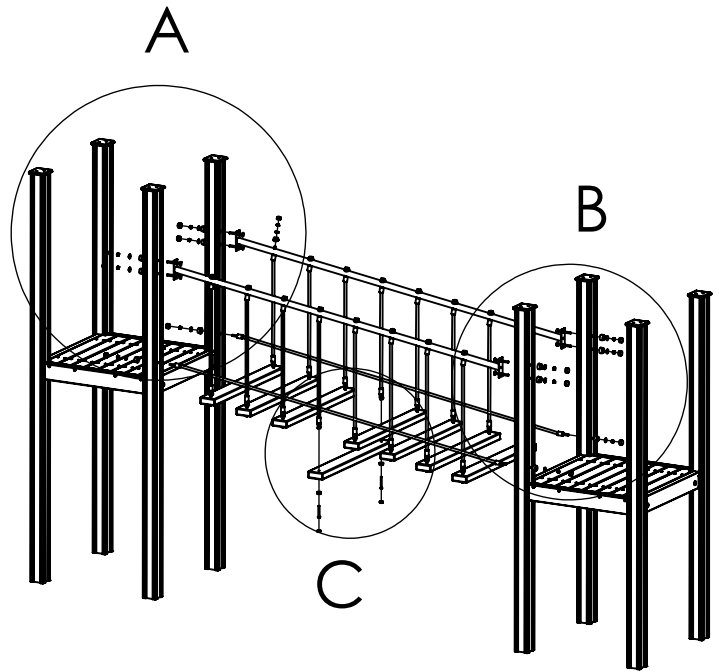
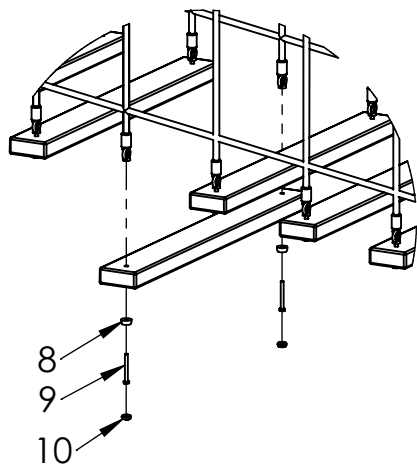
DETAIL A SCALE 1 : 20



DETAIL B SCALE 1 : 20



DETAIL C SCALE 1 : 20



ITEM NO.	PART NUMBER
1	bolt DIN603 M10x100
2	nut cover M12
3	Washer M10 DIN9054
4	nut DIN985 M10
5	nut cover cap M10
6	nut cover cap M12
7	nut cover for beam M10
8	nut cover M8
9	bolt DIN933 M8x65
10	nut cover cap M8

UNLESS OTHERWISE SPECIFIED:
DIMENSIONS ARE IN MILLIMETERS
WEIGHT ARE IN KILOGRAMM

	NAME	SIGNATURE	DATE
DRAWN	I.Agar		19.11.2024



Tiptap ^{OO}

Product code: **LM226-1**

DESCRIPTION: **Play centre Evelin**

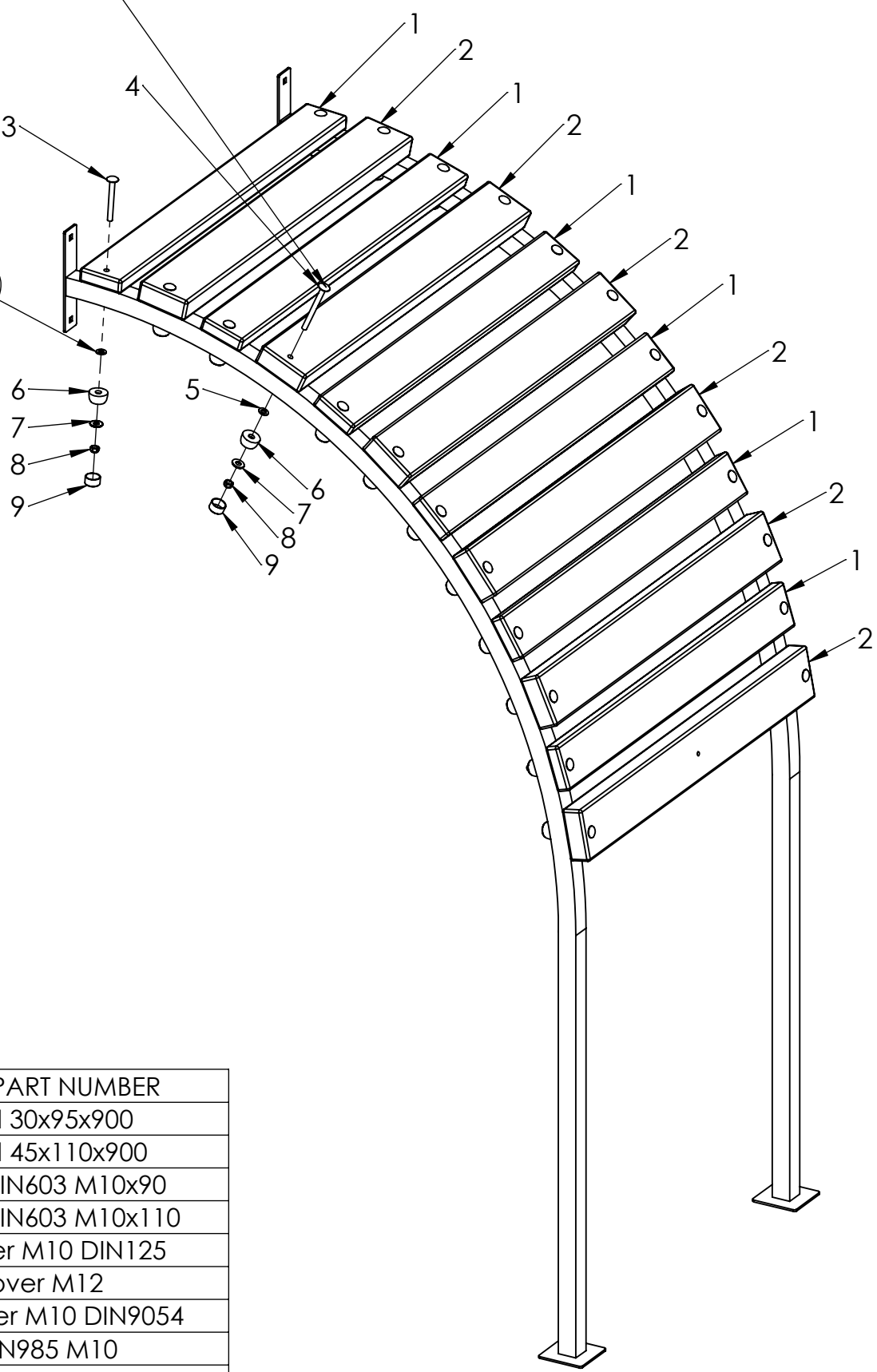
WEIGHT: SCALE: 1:50 SHEET 27 OF 31

A
B
C
D
E
F

M10x100 without LINE-X

Under every cap
Washer M10

5



ITEM NO.	PART NUMBER
1	board 30x95x900
2	board 45x110x900
3	bolt DIN603 M10x90
4	bolt DIN603 M10x110
5	washer M10 DIN125
6	nut cover M12
7	Washer M10 DIN9054
8	nut DIN985 M10
9	nut cover cap M12

UNLESS OTHERWISE SPECIFIED:
DIMENSIONS ARE IN MILLIMETERS
WEIGHT ARE IN KILOGRAMM

Product code: **LM226-1**

	NAME	SIGNATURE	DATE
DRAWN	I.Agar		19.11.2024

DESCRIPTION:
**Play centre Evelin
Assembling curved ramp**



WEIGHT:	SCALE: 1:12	A4
		SHEET 28 OF 31

A

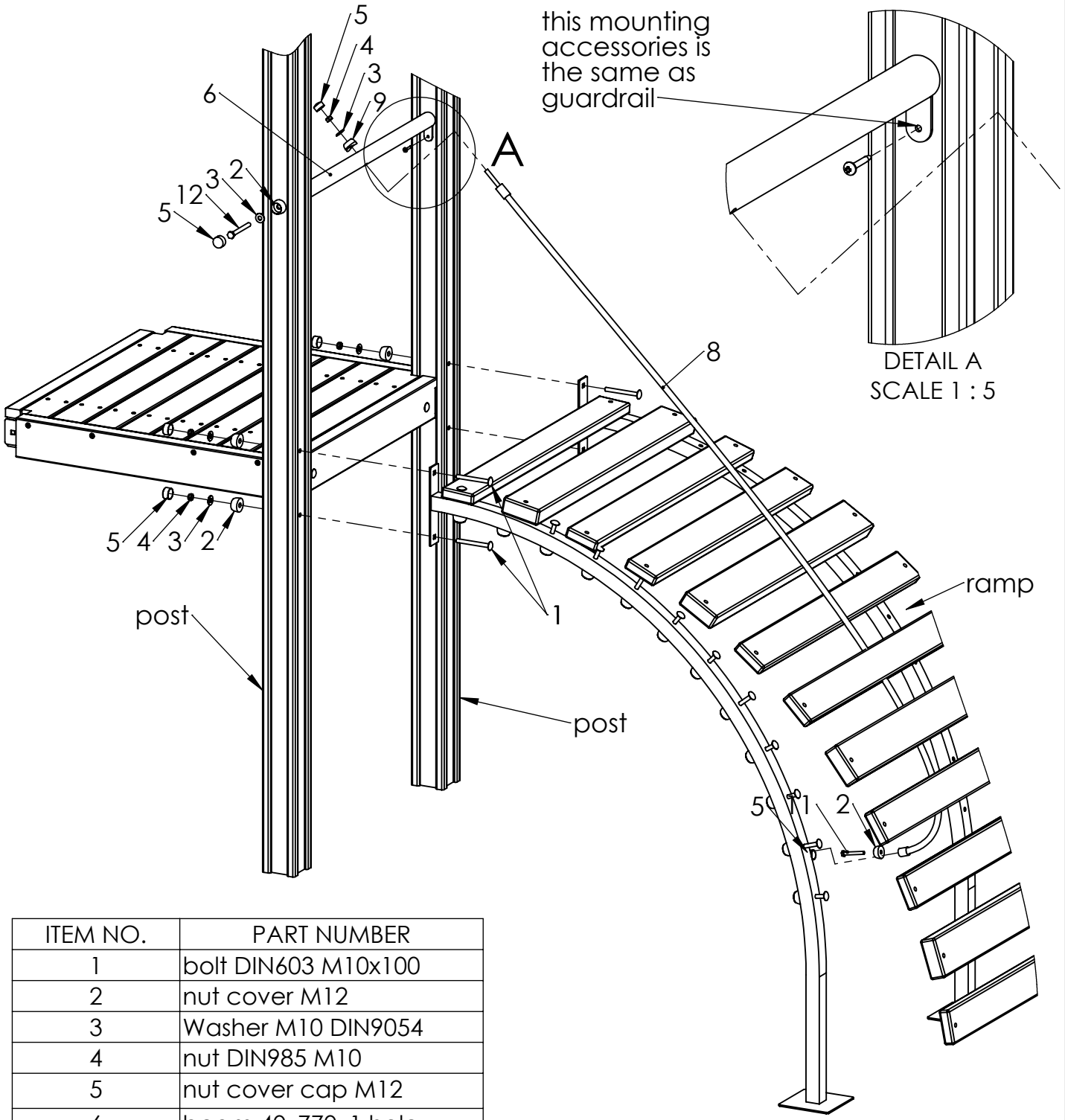
B

C

D

E


F



ITEM NO.	PART NUMBER
1	bolt DIN603 M10x100
2	nut cover M12
3	Washer M10 DIN9054
4	nut DIN985 M10
5	nut cover cap M12
6	beam 40x770_1 hole
7	quardrail d40x770 with 1 hole
8	Rope for ramp
9	nut cover for beam M10
10	screw DIN7504K 5,5x50
11	bolt DIN933 M8x65
12	bolt DIN931 M10x100

UNLESS OTHERWISE SPECIFIED:
DIMENSIONS ARE IN MILLIMETERS
WEIGHT ARE IN KILOGRAMM

NAME	SIGNATURE	DATE
I.Agar		19.11.2024



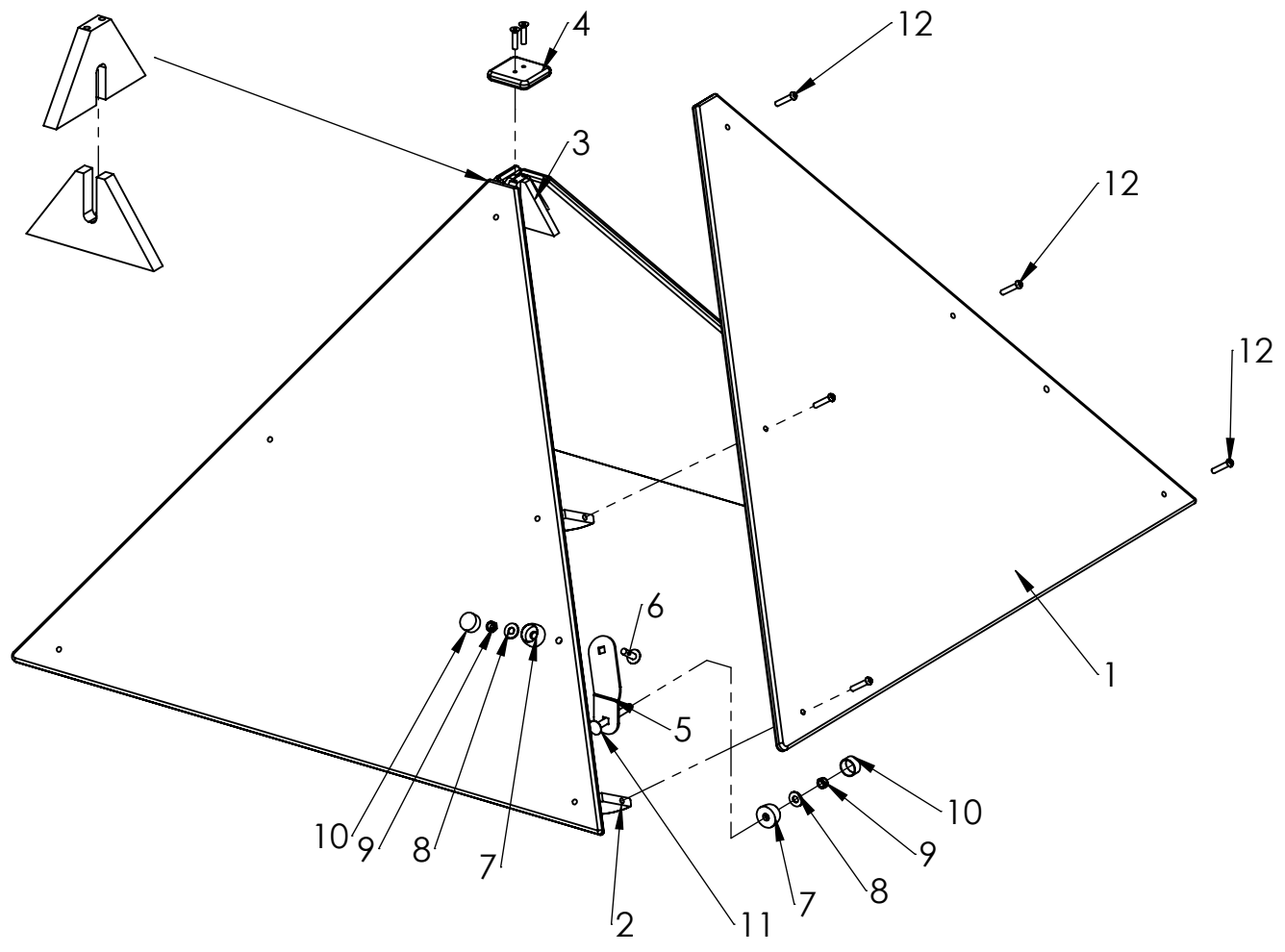
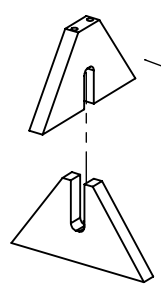
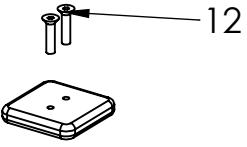
Tiptiptap ^{ou}

Product code: **LM226-1**

DESCRIPTION: **Play centre Evelin connecting ramp to post**

A4

WEIGHT: SCALE: 1:15 SHEET 29 OF 31



ITEM NO.	PART NUMBER
1	roof panel
2	Plastic corner 109°
3	Roof top fixture
4	roof top cap
5	roof fixture
6	bolt DIN603 M10x35
7	nut cover M12
8	Washer M10 DIN9054
9	nut DIN985 M10
10	nut cover cap M12
11	bolt DIN603 M10x100
12	Art. 9121 TX-PIN M8x40

UNLESS OTHERWISE SPECIFIED:
DIMENSIONS ARE IN MILLIMETERS
WEIGHT ARE IN KILOGRAMM

Product code: **LM226-1**

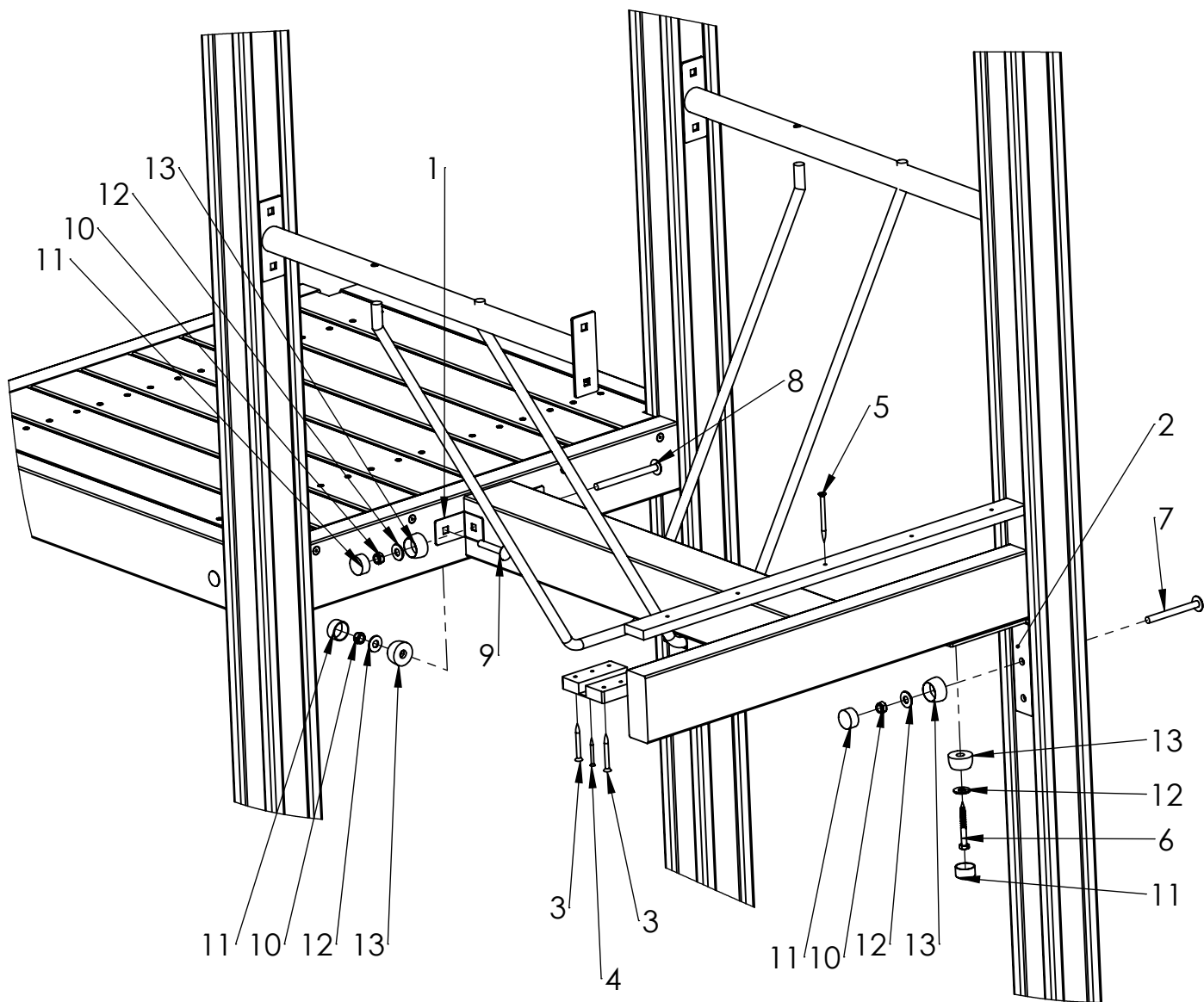
	NAME	SIGNATURE	DATE
DRAWN	I.Agar		19.11.2024

DESCRIPTION: **Play centre Evelin**



WEIGHT:	SCALE: 1:12	A4
		SHEET 30 OF 31

A
B
C
D
E
F



ITEM NO.	PART NUMBER
1	Corner 90° (45x60)
2	corner 160x160x45
3	woodscrew 6x60
4	woodscrew 4,2x45
5	woodscrew 6x80
6	wood screw DIN571 8x70
7	bolt DIN603 M10x100
8	bolt DIN603 M10x120
9	bolt DIN603 M10x60
10	nut DIN985 M10
11	nut cover cap M12
12	Washer M10 DIN9054
13	nut cover M12

UNLESS OTHERWISE SPECIFIED:
DIMENSIONS ARE IN MILLIMETERS
WEIGHT ARE IN KILOGRAMM

Product code:

LM226-1

DESCRIPTION:

Play centre Evelin

WEIGHT:

SCALE: 1:10

SHEET 31 OF 31



Tiptiptap OÜ

A4